



GAS CHARBROILER

Radiant Models

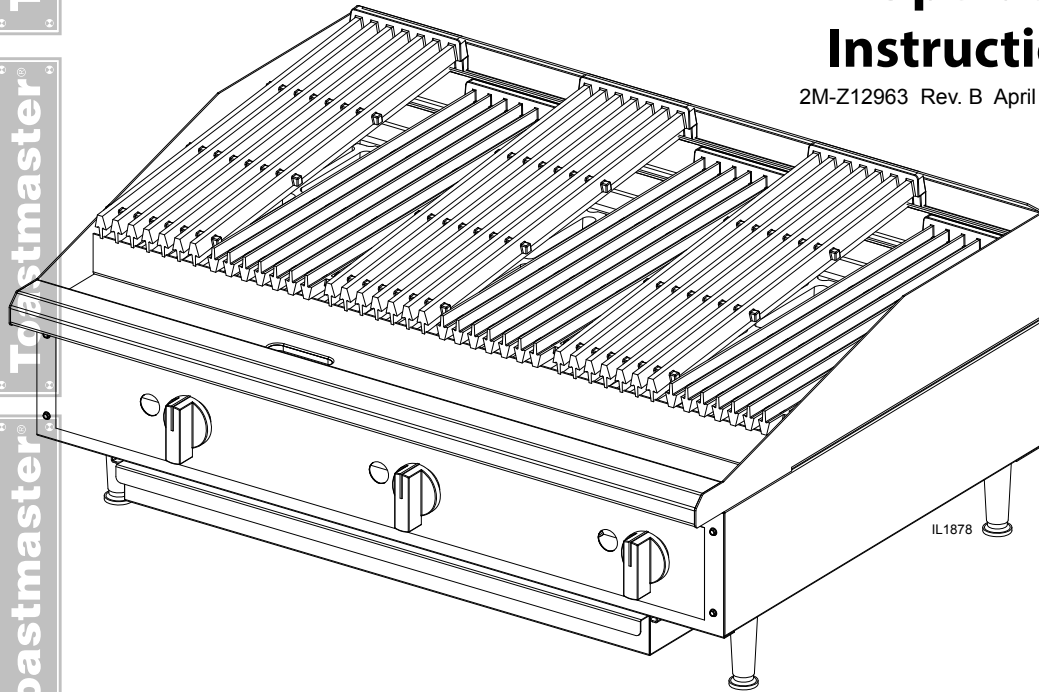
TMRC24, TMRC36, TMRC48

Lava Models

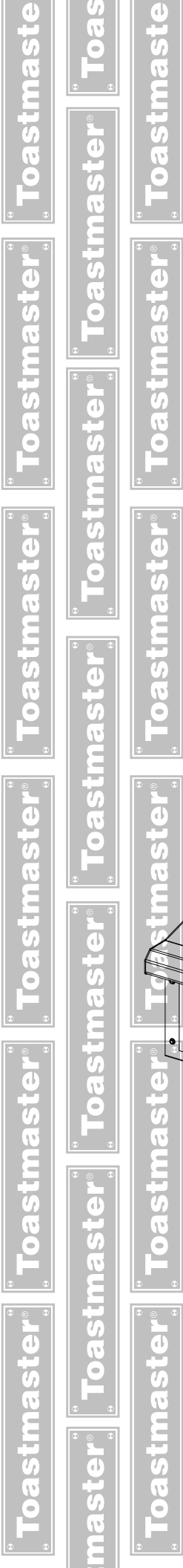
TMLC24, TMLC36, TMLC48

Installation and Operation Instructions

2M-Z12963 Rev. B April 22, 2014



TMRC36



SAFETY SYMBOLS



These symbols are intended to alert the user to the presence of important operating and maintenance instructions in the manual accompanying the appliance.



RETAIN THIS MANUAL FOR FUTURE REFERENCE NOTICE

Using any part other than genuine Toastmaster factory supplied parts relieves the manufacturer of all liability.

Toastmaster reserves the right to change specifications and product design without notice. Such revisions do not entitle the buyer to corresponding changes, improvements, additions or replacements for previously purchased equipment.

Due to periodic changes in designs, methods, procedures, policies and regulations, the specifications contained in this sheet are subject to change without notice. While Toastmaster exercises good faith efforts to provide information that is accurate, we are not responsible for errors or omissions in information provided or conclusions reached as a result of using the specifications. By using the information provided, the user assumes all risks in connection with such use.

MAINTENANCE AND REPAIRS

Contact your local authorized service agent for service or required maintenance.

Please record the model number, serial number, voltage and purchase date in the area below and have it ready when you call to ensure a faster service.

Model No. _____
Serial No. _____
Voltage _____
Purchase Date _____

Authorized Service Agent Listing

Reference the listing provided with the unit

or

for an updated listing go to:

Website: www.toastmastercorp.com
E-mail Service@star-mfg.com
Telephone: (314) 678-6347

The Service Help Desk

Business Hours: 8:00 am to 4:30 p.m. Central Standard Time

Telephone: (314) 678-6347

Fax: (314) 781-2714

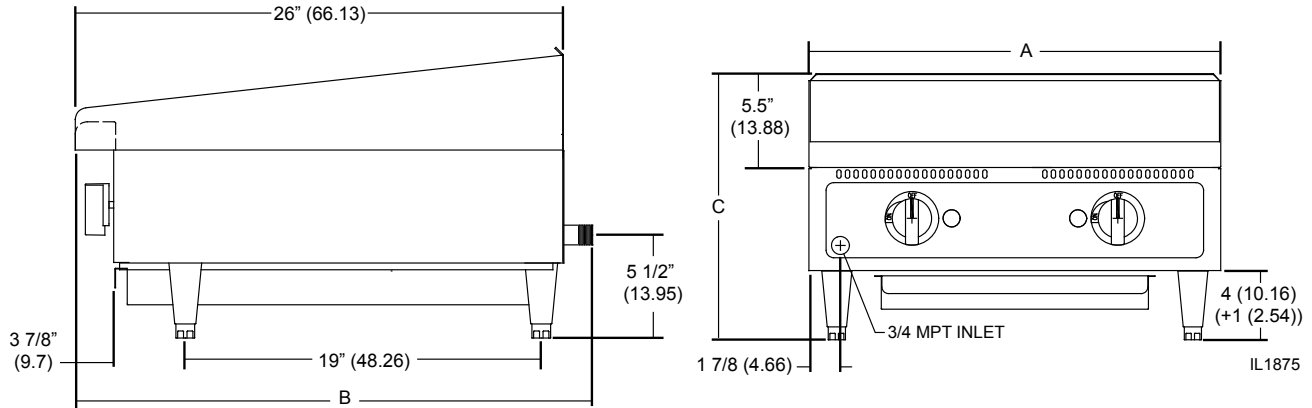
E-mail Parts@star-mfg.com
Service@star-mfg.com
Warranty@star-mfg.com

Website: www.star-mfg.com

Mailing Address: Toastmaster
10 Sunnen Drive
St. Louis, MO 63143
U.S.A

SPECIFICATIONS: Gas Charbroiler

MODEL: TMLC24, TMLC36, TMLC48, TMRC24, TMRC36, TMRC48



Model	Height x Width x Depth	Grid Area	Controls	NAT / LP	Weight	
					Installed	Shipped
TMLC24	15.5" x 24" x 29" 48cm x 61cm x 65.4cm	480 sq. in 3097 sq. cm	2	NAT: 80,000 BTU/HR LP: 70,000 BTU/HR	149 lbs 67.7 kg	164 lbs 74.5 kg
TMLC36	15.5" x 36" x 29" 48cm x 91.4cm x 65.4cm	720 sq. in 4645 sq. cm	3	NAT: 120,000 BTU/HR LP: 105,000 BTU/HR	236 lbs 107.3 kg	256 lbs 116.4 kg
TMLC48	15.5" x 48" x 29" 48cm x 122cm x 65.4cm	960 sq. in 6194 sq. cm	4	NAT: 160,000 BTU/HR LP: 140,000 BTU/HR	323 lbs 146.8 kg	348 lbs 158.2 kg
TMRC24	15.5" x 24" x 29" 48cm x 61cm x 65.4cm	480 sq. in 3097 sq. cm	2	NAT: 80,000 BTU/HR LP: 70,000 BTU/HR	140 lbs 63.5 kg	155 lbs 70.3 kg
TMRC36	15.5" x 36" x 29" 48cm x 91.4cm x 65.4cm	720 sq. in 4645 sq. cm	3	NAT: 120,000 BTU/HR LP: 105,000 BTU/HR	220 lbs 100 kg	240 lbs 109 kg
TMRC48	15.5" x 48" x 29" 48cm x 122cm x 65.4cm	960 sq. in 6194 sq. cm	4	NAT: 160,000 BTU/HR LP: 140,000 BTU/HR	300 lbs 136 kg	325 lbs 147.7 kg

2M-Z1 2963: Gas Radiant & Lava Rock Charbroilers TMRC & TMLC





GENERAL INSTALLATION DATA

This equipment is designed and sold for commercial use only by personnel trained and experienced in its operation and is not sold for consumer use in and around the home nor for use directly by the general public in food service locations.

The Toastmaster series gas charbroiler is equipped for the type of gas indicated on the nameplate mounted on the front panel. All units are shipped from the factory for use with natural gas. The unit can easily be converted for use with propane gas: see propane gas.

-IMPORTANT-

INSTALL IN NON-COMBUSTIBLE LOCATIONS ONLY! Clearance from non-combustible construction must be 6" from back and sides.

The installation of the Appliance must conform to the NATIONAL FUEL GAS CODE "ANSI Z223.1 - LATEST EDITION" AND ALL LOCAL GAS COMPANY RULES AND REGULATIONS.

IN CANADA INSTALLATION SHALL BE IN ACCORDANCE WITH THE CURRENT CAN/CGA-B149.1 NATURAL GAS INSTALLATION CODE OR CAN/CGA-B149.2 PROPANE INSTALLATION CODE AND LOCAL CODES WHERE APPLICABLE.

WARNING: Improper installation, adjustment, alteration, service or maintenance can cause property damage, injury or death. Read the installation, operating and maintenance instructions thoroughly before installing or servicing the equipment.

FOR YOUR SAFETY

Do not store or use gasoline or other flammable vapors and liquids in the vicinity of this or any other appliance. Keep the appliance area clear and free from combustibles.

For your protection, we recommend a qualified installing agency install this appliance. They should be familiar with gas installations and your local gas requirements. In any case, your gas company should be called to approve the final installation. In addition, there should be posted, in a prominent location, detailed instructions to be followed in the event the operator smells gas. Obtain the instructions from the local gas supplier.

This appliance, its pressure regulator and its individual shutoff valve must be disconnected from the gas supply piping system during any pressure testing of that system at test pressures in excess of 1/2 PSIG. This appliance and its pressure regulator must be isolated from the gas supply piping system by closing its individual manual shutoff valve during any pressure testing of the gas supply piping system at test pressures equal to or less than 1/2 PSIG.

EXHAUST CANOPY

Open hearth broilers inherently create a good deal of heat and smoke and should be installed under an efficient exhaust hood with flame proof filters. A vertical distance of not less than 48" shall be provided between the top of the appliance and filters or any other combustible material. Exhaust installation must conform to local codes.

AIR SUPPLY

Provisions for adequate air supply must be provided.

LEVELING UNIT

This charbroiler is supplied with 4 feet which must be screwed into the body. Level unit by adjusting the (4) feet which have an adjustment of 1-3/4" for accurate and perfect line-up with other units.



DO NOT INSTALL WITHOUT ATTACHING FEET - DO NOT REMOVE FEET.

GAS PIPING

Gas piping shall be of such size and so installed as to provide a supply of gas sufficient to meet the full gas input of the appliance. If the appliance is to be connected to existing piping, it shall be checked to determine if it has adequate capacity. Joint compound shall be used sparingly and only on the male threads of the pipe joints. Such compounds shall be resistant to the action of L.P. gases.

WARNING: Any loose foreign material, debris, or metal particles allowed to enter the gas lines on this appliance will damage the valve and affect its operation. When installing this appliance, all pipe and fittings must be free from all internal loose dirt.

GAS PRESSURE REGULATOR

A convertible pressure regulator is provided with each charbroiler. It should be connected to the inlet pipe at the rear of the unit. The gas supply is then connected to it. It is shipped set for 6" water column manifold pressure for use with natural gas. Allow 6" clearance from back of unit to wall for servicing and installation.

MANUAL SHUT OFF VALVE

A manual shut off valve should be installed upstream from the manifold and within six feet of the charbroiler.

CONNECTING GAS SUPPLY LINE

The gas inlet of the charbroiler is sealed at the factory to prevent entry of dirt. Do not remove this seal until the actual connection is made to the gas supply line.

PROPANE GAS

This charbroiler is equipped with fixed orifice hoods and is shipped from the factory for use with natural gas. To convert to propane gas, install the burner orifice hoods, included with the unit, as follows:

1. Remove grill, radiants and burners.
2. Remove the burner orifice hoods and install the orifice hoods supplied.
3. Replace the burners, radiants, and grill.
4. Set manifold pressure to (10) inch water column. A 1/8" pipe plug on the burner manifold can be removed for attaching a pressure gauge. Remove the slotted, or hex-threaded plug from the pressure regulator. Invert the plug and re-install. The letters "LP" should now be visible on the plug. The regulator is now set for 10" (25.4 cm) water column. Attach the conversion label, supplied with the unit, close to the nameplate.

CHECKING FOR GAS LEAKS

Check entire piping system for leaks. Soap and water solution or other material acceptable for the purpose shall be used in locating gas leakage.

Matches, candle flame or other sources of ignition shall not be used for this purpose.



PILOT LIGHTING INSTRUCTIONS

The charbroiler is equipped with standing pilots, and should be lit immediately after the gas is turned on.

1. Turn off main valve to unit.
2. Turn off all knobs and pilot valves and wait 5 minutes to clear gas.
3. Turn on main valve and light all pilots. The best access to the pilot is obtained from the bottom with the grease drawer removed.
4. Adjust pilot light flames as small as possible, but high enough to light burner immediately when burner valve is turned on high.
5. Turn burner knobs to desired setting.
6. To turn burners off, turn knobs off.

SHUTTING DOWN INSTRUCTIONS

Turn the burner valve knobs to the off position to turn burners off.

BURNER IGNITION AND ADJUSTMENT

1. To ignite burners turn burner valve knob to "HI" position.
2. Slowly decrease openings of air shutters on burners to give a soft blue flame having luminous tips, then slowly increase openings to a point where the yellow tips disappear and a hard blue flame is obtained.

PLACING LAVA ROCK ON GRATES (FOR TMLC SERIES)

Open the lava rock bags and place rock evenly on grates. Do not cover the grates with more than two layers of lava rock. **DO NOT PUT MORE THAN 5 LBS. OF ROCK PER BURNER!**

BURNER OPERATION

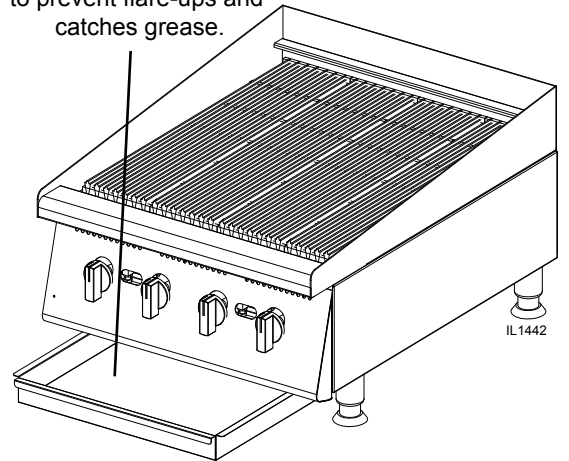
Each burner is controlled by an individual high-low, on-off valve. An infinite number of broiling temperatures may be obtained by turning the burner valve knob to any position between high and low. It is possible through this arrangement to have a high heat or searing section, while having a low heat finishing or holding section. For the searing operation, set the valves for the section at a position of "HI" or close to it. For holding or finishing, set the valves closer to the "LOW" position on the dial. You select the heat pattern you like, and set the valves accordingly.

GENERAL OPERATING INSTRUCTIONS

WATER PAN / DRIP TRAY

The water pan is located at the bottom of the unit, and is easily removed from the front of the unit. Water should be added to the water pan and replaced as necessary. The water pan helps prevent flare ups and catches grease.

Water Pan / Drip Tray
Fill with water before operating to prevent flare-ups and catches grease.



LIGHTING

When broiler is first lit, it will smoke for approximately 20-30 minutes until the preservation oils and impurities are burned off.

SEASONING THE COOKING GRATES

Set the heat control switch to the low position and preheat for about 15 to 20 minutes. Using a cloth, spread a thin film of cooking oil over the top of the grate surface. Allow the film to remain on the grate for about 5 minutes. Wipe the surface clean and apply another film of cooking oil. Wipe the surface clean again. The broiler is now ready for use. The oil may tend to smoke - this is normal.

BROILING

Turn valves on and pre-heat unit on "HI" before attempting to broil. You will have to experiment with the grill settings and the valve settings for your particular food products. We recommend that you set the grate at the full tilt position to start. This position allows the grease to run down the grate into the grease tray, reducing flare ups. Check water pans frequently and add a sufficient amount of water when necessary. Hot water vapors rising from the water pans and through the combustion chamber helps reduce flare ups. Exercise care when using your broiler.

TILTING THE GRATE

Raise or lower the grate to the next step by lifting the grate at the back of the charbroiler where the grate rests. Use potholders or gloves to reposition.

CHARBROILERS ARE HOT! NEVER ATTEMPT TO CHANGE THE GRATE POSITION WHILE FOOD PRODUCTS ARE COOKING. FLARE UPS CAN OCCUR UNEXPECTEDLY. TURN OFF THE CHARBROILER AND ALLOW IT TO COOL.

CLEANING

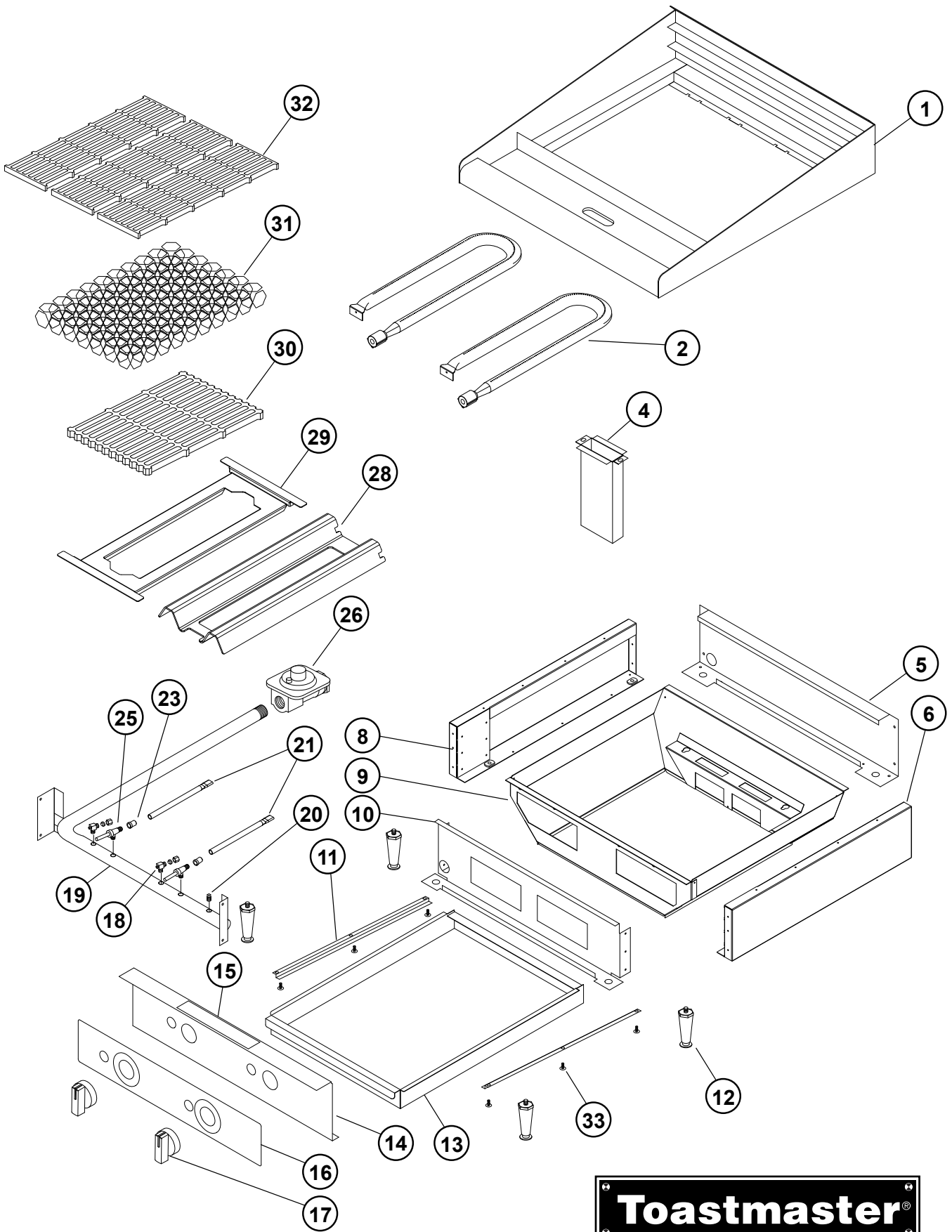
Clean regularly. Remove grate section to sink for washing. Brush out carboned particles. Remove and wash water pan. Wipe exterior surfaces with detergent and a cloth. A non-abrasive cleaner can be used on caked areas.

AIR INTAKES IN BOTTOM

Air for combustion enters from the bottom of the unit.

Do not obstruct this area.





2M-Z12963: Gas Radiant & Lava Rock Charbroilers TMRC & TMLC

MODEL TMRC24, TMLC24



SK2428 REV - 8/25/09



PARTS LIST

April 22, 2014, Rev. B

MODEL TMRC24, TMRC36, TMRC48 Toastmaster Radiant Charbroilers
TMLC24, TMLC36, TMLC48 Toastmaster Lava Charbroilers

Fig No.	Part No.	Qty	Description	Application
1	H4-TC0004	1	TOP ASSEMBLY, 24" CHAR	TMRC24, TMLC24
	H4-TC0002		TOP ASSEMBLY, 36" CHAR	TMRC36, TMLC36
	H4-TC0006		TOP ASSEMBLY, 48" CHAR	TMRC48, TMLC48
2	2F-Z5949	2/3/4	BURNER	ALL 24-INCH / 36-INCH / 48-INCH
4	G3-624304	1	CHUTE ASSEMBLY	TMLC24, TMRC24, TMLC36, TMRC36, TMLC48, TMRC48
5	H4-Z12869	1	COVER, REAR 24"	TMRC24, TMLC24
	H4-Z12832		COVER, REAR 36"	TMRC36, TMLC36
	H4-Z12877		COVER, REAR 48"	TMRC48, TMLC48
6	H4-Z12828	1	SIDE PANEL ASSEMBLY RIGHT	ALL
8	H4-Z12829	1	SIDE PANEL ASSEMBLY LEFT	ALL
9	H4-TC0003	1	LINER ASSEMBLY	TMRC24, TMLC24
	H4-TC0001			TMRC36, TMLC36
	H4-TC0005			TMRC48, TMLC48
10	G4-Z12976	1	CENTER WALL, 24"	TMRC24, TMLC24
	G4-Z12974		CENTER WALL, 36"	TMRC36, TMLC36
	G4-Z12975		CENTER WALL, 48"	TMRC48, TMLC48
11	G3-Z6036	2	DRAWER SLIDE	TMLC24, TMRC24, TMLC36, TMRC36
		4		TMRC48, TMLC48
12	2A-Z0314	4	FOOT, 4 IN DIE CAST	ALL
13	H3-Z6482	1/1/2/2	WATER PAN / GREASE DRAWER	TMRC24 / TMLC24 / TMRC48 / TMLC48
	H3-Z6483	1		TMRC36, TMLC36
14	G3-Z5976	1	FRONT PANEL	TMRC24, TMLC24
	G3-Z5978			TMRC36, TMLC36
	G3-Z5980			TMRC48, TMLC48
15	VARIOUS	1	NAMEPLATE	ALL
16	2M-Z12927	1	GRAPHIC PANEL, 24" CHAR/GRD	TMRC24, TMLC24
	2M-Z12928		GRAPHIC PANEL, 36" CHAR/GRD	TMRC36, TMLC36
	2M-Z12929		GRAPHIC PANEL, 48" CHAR/GRD	TMRC48, TMLC48
17	2R-Z13014	2/3/4	KNOB, MANUAL GAS	ALL 24-INCH / 36-INCH / 48-INCH
18	2V-6671	2/3/4	PILOT VALVE	ALL 24-INCH / 36-INCH / 48-INCH
19	2K-Z5962	1	MANIFOLD, 24"	TMRC24, TMLC24
	2K-Z5964		MANIFOLD, 36"	TMRC36, TMLC36
	2K-Z5966		MANIFOLD, 48"	TMRC48, TMLC48
20	2P-1453	1	PIPE PLUG	ALL
21	2V-Z6647	2/3/4	PILOT BURNER	ALL 24-INCH / 36-INCH / 48-INCH

**IMPORTANT: WHEN ORDERING, SPECIFY VOLTAGE OR TYPE GAS DESIRED
 INCLUDE MODEL AND SERIAL NUMBER**

PAGE 1
 OF 2

Some items are included for illustrative purposes only and in certain instances may not be available.



2M-Z12963: Gas Radiant & Lava Rock Charbroilers TMRC & TMLC

PARTS LIST

April 22, 2014, Rev. B

MODEL TMRC24, TMRC36, TMRC48 Toastmaster Radiant Charbroilers
TMLC24, TMLC36, TMLC48 Toastmaster Lava Charbroilers

Fig No.	Part No.	Qty	Description	Application
22	I5-Z5463	2/3/4	PILOT BRACKET	ALL 24-INCH / 36-INCH / 48-INCH
23	2J-Z12961	2/3/4	ORIFICE NATURAL #42	ALL 24-INCH / 36-INCH / 48-INCH
	2A-Y1255		ORIFICE PROPANE #52	ALL 24-INCH / 36-INCH / 48-INCH
25	2V-Y8832	2/3/4	MANUAL VALVE	ALL 24-INCH / 36-INCH / 48-INCH
26	2J-Z0792	1	PRESSURE REGULATOR	ALL
28	H4-Z13775	2/3/4	U-BURNER RDIANT, TMRC SERIES	TMRC24, TMRC36, TMRC48
29	H4-Z12887	2/3/4	U-BURNER RADIANT TMLC SERIES	TMLC24, TMLC36, TMLC48
30	2F-Z3078	1/2	LAVAROCK GRATE 12" X 17 1/16"	TMLC36 / TMLC48
	2F-Z3077	2/2/2	GRATE LAVA ROCK 10 1/2" X 17 1/16"	TMLC24 / TMLC36 / TMLC48
31	2F-Y7193	2/3/4	LAVA ROCK 2"	TMLC24 / TMLC36 / TMLC48
32	2F-Y8830	4/6/8	GRATE CHARBROILER, 20 5/16" LENGTH	ALL 24-INCH / 36-INCH / 48-INCH
33	2C-8823	Various	SCREW #8 x 3/8 HEX	ALL

2M-Z12963: Gas Radiant & Lava Rock Charbroilers TMRC & TMLC

**IMPORTANT: WHEN ORDERING, SPECIFY VOLTAGE OR TYPE GAS DESIRED
 INCLUDE MODEL AND SERIAL NUMBER**

PAGE 2
 OF 2

Some items are included for illustrative purposes only and in certain instances may not be available.





Warranty Statement

Toastmaster warrants equipment that it manufactures to be free from defects in material and workmanship. Toastmaster's obligation is limited to repairing or replacing, at Toastmaster's option, without cost to the customer, any part found to be defective, as well as any labor or material expense required to replace the part.

Length of Warranty

This warranty is effective for a period of 12 months from the date the equipment is placed in service.

Exceptions

- This warranty is valid only for the original end user owner/operator of the equipment.
- This warranty does not apply to normal maintenance functions, including (but not limited to) improper operation, installation or the use of an improper utility supply.
- This warranty is valid only if the equipment is used in a commercial setting. The equipment is designed and constructed for commercial use by trained professionals only. Any use of the equipment in private or domestic applications immediately voids this warranty.
- This warranty does not apply to any parts, labor and material expenses for service that is not pre-approved and performed by a Toastmaster authorized service agent. Any such service immediately voids this warranty.
- This warranty does not apply to any parts, labor and material expenses associated with the installation of parts that are not factory-approved for use in the equipment. Any use of such parts immediately voids this warranty.
- This warranty is not valid if terms of payment have not been met.

Parts Warranty

Parts that are sold to repair our of warranty equipment are warranted for ninety (90) days. The part only is warranted, the labor to replace the parts is NOT warranted.

Portable Equipment


Toastmaster will not honor service bills that include travel time and mileage charges for servicing any products considered "Portable". These products should be taken to the Service Agency for repair.

A portable unit is a unit that's designed to sit on a countertop, has a powercord & is less than 50lbs installed.

Toastmaster reserves the right to change the design and specifications of this equipment or any related documentation at any time. The end user is not entitled to upgrades resulting from these changes.

This warranty is exclusive and supersedes all other warranties for the equipment, both expressed and implied. There are no implied warranties of merchantability or of fitness for a particular purpose.

The foregoing is Toastmaster's sole and exclusive obligation and the end user sole and exclusive remedy for any action including breach of contract or negligence. In no event shall Toastmaster be liable for a sum in excess of the purchase price of the equipment, or for any prospective or lost profits of the end user.

 is a registered trademark of Toastmaster, A Middleby Company. All rights reserved.



INSTRUCTIONS DE FONCTIONNEMENT

BAC À EAU

Le bac à eau est situé au bas de l'appareil et il est facile à enlever par la partie avant de l'appareil. Il faut ajouter de l'eau au bac et la remplacer tel que nécessaire. Le bac à eau aide à prévenir les flambées et attrape la graisse.

ALLUMAGE

Lors du premier allumage du barbecue, il se formera un nuage de fumée jusqu'à ce que les huiles de protection et les impuretés brûlent.

POUR ASSAISONNER LES GRILLES À CUIRE

Placez le commutateur de commande de la chaleur dans la basse position et le préchauffez pendant 15 à 20 minutes. En utilisant un tissu, répandez une couche mince d'huile au-dessus du dessus de la surface de grille. Laissez le film rester sur la grille pendant 5 minutes. Essuyez l'extérieur nettoient et appliquent un autre film d'huile. Essuyez l'extérieur nettoient encore. Le barbecue est maintenant prêt à être employé. L'huile pourrait fumer - c'est normale.

CUISSON SUR LE GRIL

Ouvrir les vannes et préchauffer l'appareil sur «Hi» avant de commencer la cuisson sur le grill. Vous devriez expérimentement avec les réglages du grill et les réglages des boutons selon vos spécialités de viande. On vous recommande de régler au début le grill en position inclinée maximale. Cette position permet à la graisse de s'écouler dans le bac à graisse, ce qui réduit les flambées. Vérifier souvent les bacs à eau et ajouter suffisamment d'eau lorsque nécessaire. Les vapeurs d'eau chaude qui s'évaporent des bacs à eau et qui passent à travers la chambre de combustion aident à réduire les flambées. Faire attention lors de l'utilisation du barbecue.

INCLINAISON DU GRILLE

Élever ou abaisser le grill à la position suivante en soulevant le grill à l'arrière du barbecue où repose le grill. Utiliser des maniques ou des gants pour le repositionner.

LES BARBECUES SONT BRÛLANTS !

NE JAMAIS ESSAYER DE CHANGER LA POSITION DU GRIL PENDANT LA CUISSON DES PRODUITS DE VIANDE. DES FLAMBÉES PEUVENT SE PRODUIRE À L'IMPROVISTE. ÉTEIGNER LE BARBECUE ET LE LAISSER SE REFRROIDIR.

NETTOYAGE

Nettoyer le barbecue régulièrement. Enlever la section du grill et la laver dans l'évier. Enlever à la brosse les particules carbonisées. Enlever et laver le bac à eau. Nettoyer les surfaces extérieures à l'aide d'un chiffon et d'un détergent. Sur les surfaces encroûtées, on peut utiliser un produit nettoyant non abrasif.

PRISES D'AIR EN BAS

L'air nécessaire à la combustion entre par le bas de l'appareil. **Ne pas boucher cette section.**



INSTRUCTIONS POUR ÉTEINDRE LE BARBECUE

Pour éteindre les brûleurs, tourner les boutons des brûleurs sur la position de fermeture.

IGNITION DU BRÛLEUR ET AJUSTEMENT

- Allumer des brûleurs tourner le bouton de la valve du brûleur à " SALUT " la place.
- Diminuez lentement l'ouverture des obturateurs d'air sur les brûleurs pour donner une flamme bleue molle, alors lentement ouvrez de l'augmentation à un point où les pointes jaunes disparaissent et une flamme bleue dure est obtenu.

PLAÇANT ROC DE LA LAVE SUR LES FOYERS

(POUR TMLC SÉRIE)

Ouvrez les sacs du roc de la lave et roc de la lave et place sur les foyers également. Ne couvrez pas les foyers avec plus de deux couches de roc de la lave. **NE METTEZ PAS PLUS DE 5 LIVRES DE ROC PAR BRÛLEURI**

L'OPÉRATION DU BRÛLEUR

Chaque brûleur est contrôlé par un individu haut bas, sur fermé valve. Un nombre infini de griller des températures peut être obtenu en devenant le bouton de la valve du brûleur à toute place entre haut et bas. C'est possible à travers cet arrangement pour avoir une haute chaleur ou brûlant section, en ayant une basse chaleur finir ou tenir la section. Pour la brûlant opération, mettez les valves pour la section à une place de " SALUT " ou près de lui. Pour tenir ou finir, mettez les valves plus proche à la " BASSE " place sur le cadran. Vous sélectionnez le modèle de la chaleur que vous aimez, et a mis les valves en conséquence.



NE PAS L'INSTALLER SANS ATTACHER LES PIEDS - NE PAS ENLEVER LES PIEDS.

La taille de la tuyauterie à gaz et la façon dont elle est installée doivent être telles qu'elle fournisse une alimentation suffisante de gaz pour répondre aux exigences d'admission de pleine puissance dans l'appareil. S'il faut raccorder l'appareil à la tuyauterie existante, il faut vérifier cette dernière pour déterminer si elle a la capacité nécessaire. Il ne faut utiliser le composé combiné que modérément et seulement sur les filetages mâles des raccords à tuyaux. Ces composés doivent résister à l'action des gaz propane.

AVERTISSEMENT: Tous les matériel étranger, débris, ou particules lâches en métal permises d'écrire les lignes de gaz de cet appareil endommagera la vanne et en affectera le fonctionnement. Lors de l'installation de cet appareil, tous les tuyaux et raccords doivent être exempts de toute impureté interne libre.

RÉGULATEUR DE PRESSION DU GAZ

Chaque barbeue est fourni avec un régulateur de pression convertible. Il doit être raccordé au tuyau d'admission à l'arrière de l'appareil. L'alimentation de gaz y est raccordée. Pour l'utilisation au gaz naturel, il est expédié réglé pour une pression d'admission de 6 po. de colonne d'eau. Laisser un jeu de 6 po. entre l'arrière de l'appareil et le mur, pour installation et réparations.

VANNE D'ARRÊT MANUELLE

Il faut installer une vanne d'arrêt manuelle en amont du collecteur et à six pieds près du barbeue.

RACCORD DE LA CANALISATION DE GAZ

L'admission de gaz du barbeue est scellée en usine afin d'empêcher l'entrée des impuretés. N'enlever cette protection que juste avant d'effectuer le raccord à la canalisation de gaz.

GAZ PROPANE

Ce barbeue est équipé d'orifices fixes et il est expédié de l'usine prêt pour l'utilisation au gaz naturel. Pour changer au gaz propane, installer les orifices de brûleurs fournis, dans le tiroir de la graisse, tel que suit :

1. Enlever le grill, les radiants et les brûleurs.

2. Enlever les orifices de brûleurs et installer les orifices fournis.

3. Remettre en place les brûleurs, les radiants et le grill.

4. Régler la pression d'admission sur (10) pouces de colonne d'eau. On peut enlever un bouchon de tuyau de 1/8 po. du collecteur du brûleur pour y attacher un manomètre. Enlever le bouchon entaillé ou fileté hexagonal du régulateur de pression. Inverser le bouchon et le réinstaller. Les lettres «LP» doivent être maintenant visibles sur le bouchon. Le régulateur est maintenant réglé pour 25,4 cm (10 po.) de colonne d'eau. Apptez l'étiquette de conversion a coté de la plaque d'identification.

VÉRIFICATION DE L'ÉTANCHÉITÉ

Vérifier l'étanchéité de toute la tuyauterie. Pour vérifier l'étanchéité, il faut utiliser une solution de savon et d'eau ou une autre matière acceptable pour ce but.

Ne pas utiliser d'allumettes, la flamme d'une chandelle ou d'autres sources d'allumage.

INSTRUCTIONS CONCERNANT LES VEILLEUSES D'ALLUMAGE

Le barbeue est équipé de veilleuses stationnaires et il faut l'allumer dès que le bouton de gaz est ouvert.

1. Éteignez la principale valve à unité.

2. Éteignez tous les boutons et valves du pilote et attendez 5 minutes éclaircir du gaz.

3. Ouvrir le bouton principal et allumer les veilleuses. Le meilleur accès à la lampe témoin est du fond sans tiroir de graisse.

4. Ajustez des flammes de la lumière pilotes aussi petit que possible, mais haut assez allumer le brûleur immédiatement quand la valve du brûleur est allumée haut.

5. Tourner les boutons des brûleurs sur le réglage désiré.

6. Pour éteindre les brûleurs, fermer les boutons.



DONNÉES GÉNÉRALES D'INSTALLATION

Cet équipement n'est conçu et vendu que pour l'utilisation commerciale par le personnel formé et sachant l'utiliser et il n'est pas vendu pour l'utilisation à la maison, ni pour l'usage du public dans les endroits de pique-nique.

Le barbecue de la série Toastermaster est équipé pour le type de gaz indiqué sur la plaque du constructeur montée sur le panneau avant. Tous les appareils sont expédiés de l'usine pour l'utilisation au gaz naturel. Il est facile de convertir l'appareil en vue de l'utilisation au gaz propane : voir le gaz propane.

-IMPORTANT-

NE L'INSTALLER QUE DANS UN ENDROIT NON COMBUSTIBLE ! Il faut laisser un espace de 6 po. entre une construction combustible et la partie arrière et les parties latérales de l'appareil.

L'installation de l'appareil doit se conformer au CODE NATIONAL DE GAZ COMBUSTIBLE "ANSI Z223.1 - TOUTE DERNIÈRE ÉDITION" DES ÉTATS-UNIS ET À TOUTES LES RÉGLES ET RÉGLEMENTATIONS DE LA COMPAGNIE DE GAZ LOCALE.

AU CANADA, L'INSTALLATION DOIT ÊTRE CONFORME AU CODE COURANT D'INSTALLATION AU GAZ NATUREL CAN/CGA-B149.1 OU AU CODE D'INSTALLATION AU PROPANE CAN/CGA-B149.2 ET AUX CODES LOCAUX, LE CAS ÉCHÉANT.

AVERTISSEMENT: L'installation, le réglage, la modification, la réparation ou l'entretien incorrect de cet appareil peut causer des dommages matériels, des blessures ou la mort. Lire attentivement les instructions d'installation, de fonctionnement et d'entretien avant de procéder à son installation ou entretien.

ESURE DE SÉCURITÉ

NE PAS ENTREPOSER NI UTILISER DE ESSENCE NI AUTRES VAPEURS OU LIQUIDES INFLAMMABLES À PROXIMITÉ DE CET APPAREIL OU DE TOUT AUTRE APPAREIL. TENIR TOUT COMBUSTIBLE À L'ÉCART DE L'APPAREIL.

Pour votre propre protection, on vous recommande de faire installer cet appareil par une agence d'installation qualifiée. Ils doivent connaître les installations de gaz et vos exigences de gaz locales. En tout cas, il faut appeler votre société de gaz pour l'approbation de l'installation finale. En plus, il faut afficher dans un endroit en pleine vue les instructions détaillées à suivre si l'opérateur sent du gaz. Obtenir les instructions du fournisseur local de gaz.

Cet appareil, son régulateur de pression et ses vannes d'arrêt individuelles doivent être débranchés de la tuyauterie d'alimentation du gaz lors des essais de pression de la tuyauterie en question à des pressions en dessous de ½ PSIG. Cet appareil et son régulateur de pression doivent être isolés de la tuyauterie d'alimentation du gaz en fermant sa vanne d'arrêt manuelle individuelle lors des essais de pression de la tuyauterie d'alimentation de gaz à des pressions égales à ou de moins que ½ PSIG.

ÉPUISEZ LE BALDAQUIN

Les grilles du foyer ouverts créent beaucoup de chaleur et fumée fondamentalement et devraient être installés sous un capuchon du gaz d'échappement effectif avec flamme filtres insensibles. Une distance verticale de pas moins que 48 " seront fournis entre le sommet de l'appareil et filtres ou toute autre matière combustible. L'installation du gaz d'échappement doit conformer aux codes locaux.

LA PROVISION DE L'AIR

Les vives pour provision de l'air adéquate doivent être fournis.

ÉQUILIBRAGE DE L'APPAREIL

Ce barbecue est fourni avec 4 pieds qui doivent être vissés au corps. Équilibrer l'appareil en ajustant les (4) pieds qui ont un réglage de 1-3/4 po., en vue d'un alignement exact et parfait avec d'autres appareils.

2M-Z12963: Gas Radiant & Lava Rock Charbroilers TMRC & TMLC

	Date d'achat
	Voltage
	N° de série
	N° de modèle

Agent de service autorisé
 Voir la liste pourvue avec l'appareil
 Ou
 Pour une liste mise à jour voir :
Site web : www.star-mfg.com
Courriel : Service@star-mfg.com

requis ci-dessous pour référence rapide.

Contactez votre détaillant local pour les réparations ou l'entretien requis. Assurez-vous d'avoir le numéro de modèle, le numéro de série, le voltage et la date d'achat pour un service plus rapide. Entrez l'information

ENTRETIEN ET RÉPARATIONS

L'utilisation de toute pièce autre que les pièces d'origine STAR dégage le fabricant de toute responsabilité.

Toastmaster se réserve le droit de changer les spécifications et la conception du produit sans préavis. Ces changements ne donnent pas le droit à l'acheteur d'obtenir les changements, améliorations, ajouts ou remplacements correspondants pour l'équipement acheté préalablement.

Du aux modifications périodiques de dessins, méthodes, procédures, règles et régulations, les spécifications contenues dans ce manuel sont susceptibles de changer sans préavis. Quoique Toastmaster exerce la bonne foi de fournir le renseignement correct, Toastmaster n'est pas responsable pour les erreurs ou les omissions dans le renseignement pourvu ou les conclusions tirées à la suite de l'utilisation des spécifications. En utilisant le renseignement pourvu, l'utilisateur assume tous les risques en relation avec telle utilisation.

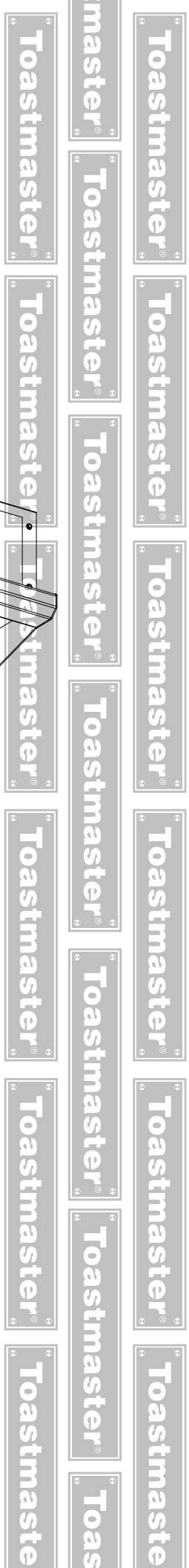
CONSERVEZ CE MANUEL POUR RÉFÉRENCE FUTURE

AVIS

Ces symboles sont utilisés pour souligner à l'utilisateur les instructions d'utilisation ou d'entretien importantes contenues dans le manuel qui accompagne l'appareil.



SYMBOLE DE SÉCURITÉ



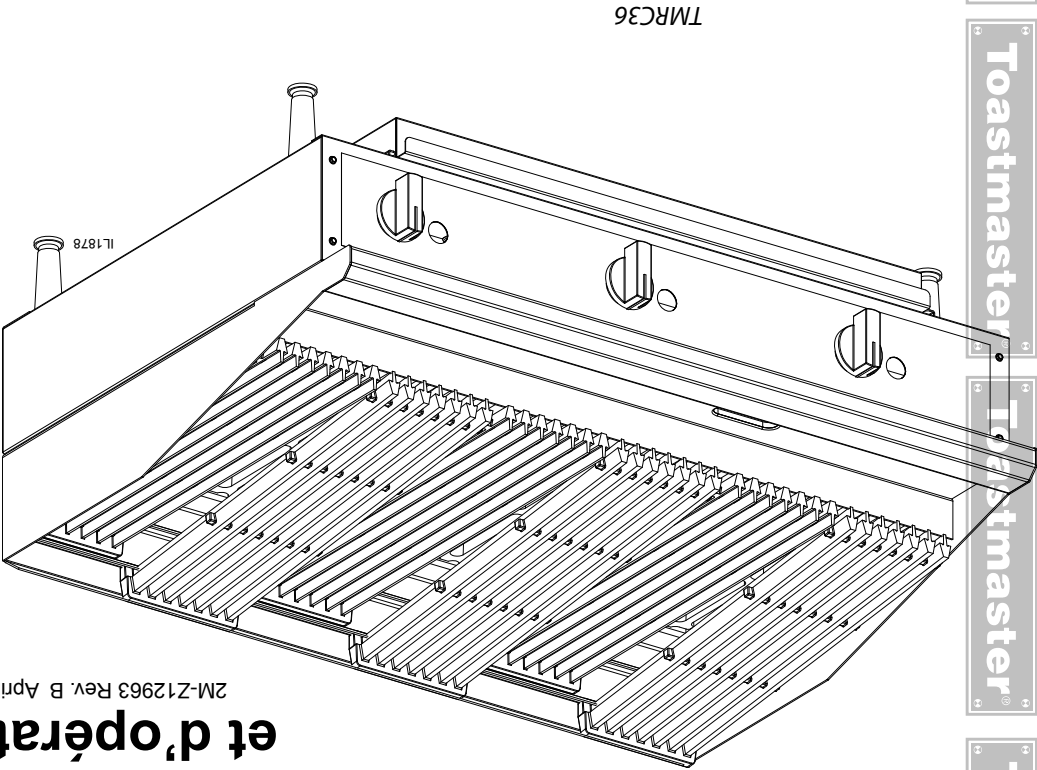
BARBECUE A GAZ

Radiant Models
TMRC24, TMRC36, TMRC48

Lava Models
TMLC24, TMLC36, TMLC48

Instructions d'installation et d'opération

2M-Z12963 Rev. B April 22, 2014



Toastmaster

est une marque de Registrerd Toastmaster, la Compagnie A Middleby. Tous droits réservés.