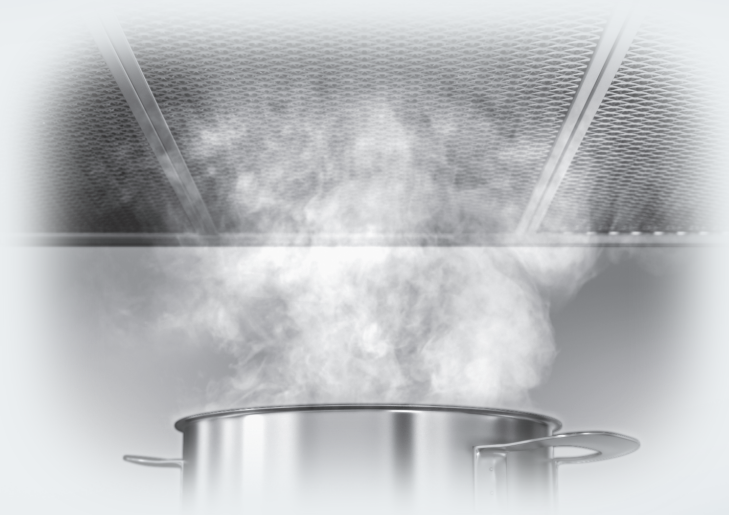


Installation instructions

External motor

Roof installation



To prevent the risk of accidents or damage to the appliance, it is **essential** to read these instructions before it is installed and used for the first time.

Contents

Warning and Safety instructions	3
Caring for the environment	9
Installation	10
Before installation	10
Installation recommendations	10
AWG 102	11
DDG 102	14
ABLG 202	17
DDF 125/150	19
Connection for air extraction	20
Silencer	21
After Sales / Warranty	22
Position of the data plate	22
Electrical connection	23
Technical data	24
AWG 102	24
ABLG 202	25
DDG 102	26

Warning and Safety instructions

This external motor complies with all relevant local and national safety requirements. Inappropriate use can, however, lead to personal injury and damage to property.

Please read these operating and installation instructions carefully before using the external motor for the first time. They contain important information on the safety, installation, use and maintenance of the appliance. This prevents both personal injury and damage to the external motor. Miele cannot be held liable for damage caused by non-compliance with these instructions.

Keep these instructions in a safe place and pass them on to any future owner.

Correct application

- ▶ This external motor is intended for use in domestic households and similar working and residential environments.
 - ▶ This external motor must only be used in conjunction with a Miele "... EXT" model cooker hood.
 - ▶ It must only be used as a domestic appliance to extract vapours and remove odours from cooking.
- All other types of use are not permitted.

Warning and Safety instructions

Technical safety

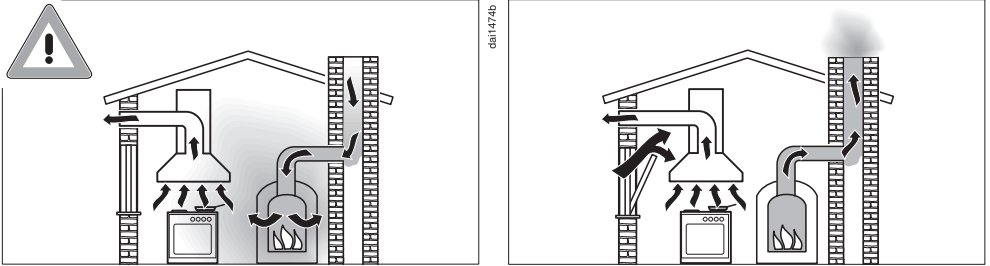
- ▶ Unauthorised installation, maintenance and repairs can cause considerable danger for the user. Installation, maintenance and repairs must only be carried out by a Miele authorised technician.
- ▶ A damaged external motor could be dangerous. Check the appliance for visible signs of damage. Do not use the external motor if it is damaged.
- ▶ The electrical safety of this external motor can only be guaranteed when continuity is complete between it and an effective earthing system. It is most important that this basic safety requirement is present and tested regularly. If in doubt, consult a suitably qualified electrician.
- ▶ Reliable and safe operation of this external motor can only be assured if it has been connected to the mains electricity supply.
- ▶ The connection data (voltage and frequency) on the data plate of the external motor must match the mains electricity supply in order to avoid the risk of damage to the motor. Compare this before connecting the appliance to the mains. Consult a qualified electrician if in any doubt.
- ▶ Multi-socket adapters and extension leads do not guarantee the required safety of the appliance (fire hazard). Do not use them to connect your appliance to the mains.

Warning and Safety instructions

- ▶ For safety reasons, the external motor may only be used when it has been fully installed.
- ▶ This external motor must not be installed and operated in mobile installations (e.g. on a ship).
- ▶ Any contact with live connections or tampering with the electrical or mechanical components of the external motor will endanger your safety and may lead to appliance malfunctions.
Only open the housing as described in these installation instructions. Under no circumstances should any other parts of the housing be opened.
- ▶ The manufacturer's warranty will be invalidated if the appliance is not repaired by a Miele approved service technician.
- ▶ Miele can only guarantee the safety of the appliance when genuine original Miele replacement parts are used. Faulty components must only be replaced by Miele spare parts.
- ▶ If the electrical connection cable is faulty it must only be replaced by a Miele authorised service technician to protect the user from danger.
- ▶ During installation, maintenance and repair work, the appliance must be disconnected from the mains electricity supply. It is only completely isolated from the electricity supply when:
 - the mains circuit breaker is switched off, or
 - the screw-out fuse is removed (in countries where this is applicable), or
 - it has been switched off at the isolator, or switched off at the wall socket and the plug withdrawn. Do not pull on the cable, but pull the plug instead in order to do this.

Warning and Safety instructions

Using at the same time as other heating appliances that depend on the air from the room



⚠ Danger of toxic fumes!

Great care should be taken when using the external motor in the same room or the same area of the house as another heating appliance that depends on the air from the room.

Such heating appliances draw in air from the room and duct exhaust gases out through a chimney or extraction ducting. They include gas, oil, wood and coal-fired boilers and heaters, continuous flow or other water heaters, gas hobs and ovens.

The external motor draws in air from the kitchen and from neighbouring rooms.

If there is insufficient air, an underpressure will occur. The heating appliance may be starved of oxygen. This impairs combustion.

Harmful gases could be drawn from the chimney or extraction ducting back into the room, with potentially fatal consequences.

Risk of death!

Warning and Safety instructions

In order to ensure safe operation and to prevent gases given off by the heating appliance from being drawn back into the room, when the external motor and the heater are both operated simultaneously, an underpressure in the room of 0.04 mbar (4 Pa) is the maximum permissible.

Sufficient ventilation can be maintained by air inlets which cannot be blocked, e.g. in windows, doors and outside wall vents. The diameter of the inlet openings must enable sufficient ventilation. A ventilation brick alone is not generally sufficient to ensure safe ventilation.

The overall ventilation condition of the dwelling must be taken into account. If in any doubt, the advice of a competent builder, or for gas, a qualified gas fitter should be sought.

Warning and Safety instructions

Correct installation

- ▶ Exhaust ducting must be of non-inflammable material. Suitable material is available from Miele specialist dealers or the Miele Spares Dept.
- ▶ The appliance must not be connected to a chimney or flue which is in use. Neither should it be connected to ducting which ventilates rooms with fireplaces.

Disposal of the packing material

The packaging is designed to protect the appliance from damage during transportation. The packaging materials used are selected from materials which are environmentally friendly for disposal and should be recycled.

Recycling the packaging reduces the use of raw materials in the manufacturing process and also reduces the amount of waste in landfill sites.

Disposing of your old appliance


Electrical and electronic appliances often contain valuable materials. They also contain specific materials, compounds and components, which were essential for their correct function and safety. These could be hazardous to human health and to the environment if disposed of with your domestic waste or if handled incorrectly. Please do not, therefore, dispose of your old appliance with your household waste.



Please dispose of it at your local community waste collection / recycling centre for electrical and electronic appliances, or contact your dealer or Miele for advice. You are also responsible (by law, depending on country) for deleting any personal data that may be stored on the appliance being disposed of. Please ensure that your old appliance poses no risk to children while being stored prior to disposal.

Installation

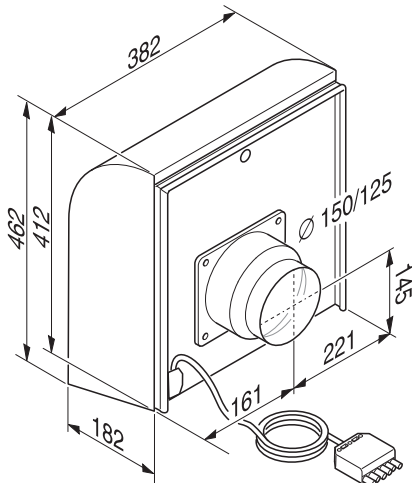
Before installation

 Before installation, it is important to read the information given on the following pages as well as the "Warning and Safety instructions" at the beginning of this booklet.

Installation recommendations

- Make sure that the installation location is easily accessible. Installation work must be able to be carried out without danger. This is also important if the appliance needs to be serviced.

AWG 102

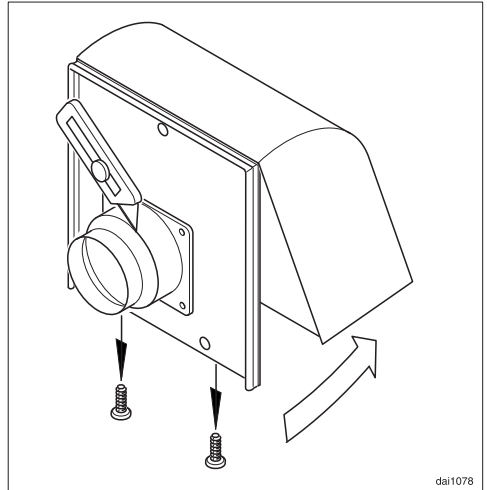


The AWG 102 external motor is designed to be installed on an outside wall.

The external motor must be installed on the outside wall in a vertical position only. The extraction outlet must face downwards.

The external motor is connected to the cooker hood by means of a control cable and is operated by the controls on the cooker hood.

Please refer to the operating and installation instructions for the cooker hood before installing the external motor and ducting.



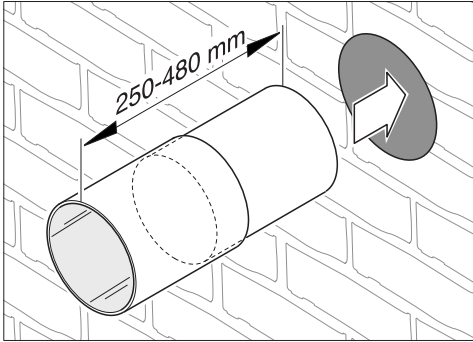
- Unscrew the 2 fixing screws on the underside of the external motor and take the motor unit off of its fixing bracket.

The ducting collar on the motor unit has a diameter of 125 mm when the appliance is supplied.

- If a diameter of 150 mm is required, the front ring of the collar must be cut at the join with a sharp knife.

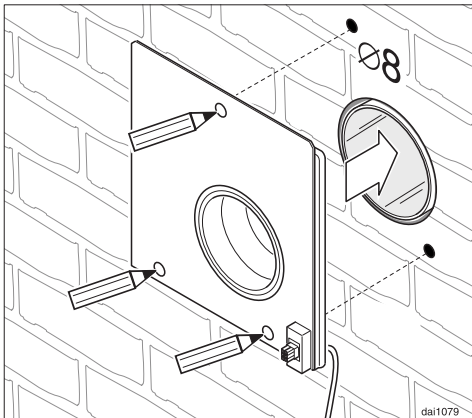
Installation

- Make a \varnothing 185 mm hole in the wall.

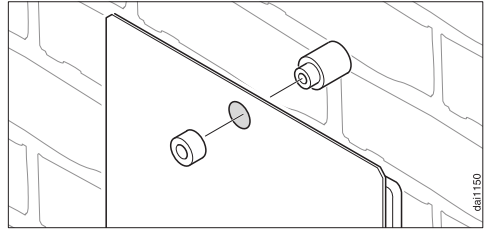


- Push the telescopic wall pipe into the hole so that it is sitting flush.

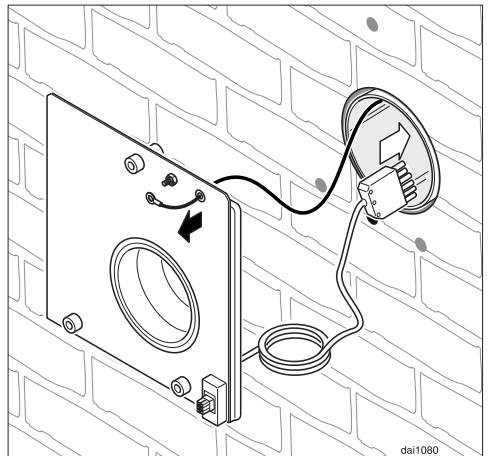
The telescopic wall pipe will make it easier to feed the control cable and the flexible ducting through later on.



- Position the motor unit bracket on the outside wall. The control cable connection must be at the bottom.
- Mark the position of the 3 holes to be drilled.
- Drill three 8 mm \varnothing holes and insert S8 plugs in the holes.

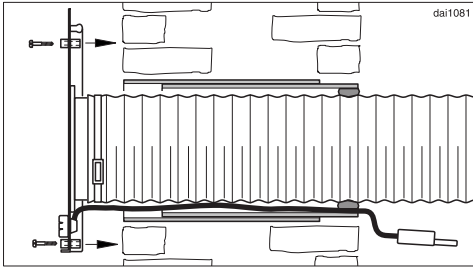


- Connect the 3 mountings through the fixing holes in the motor unit bracket as illustrated.



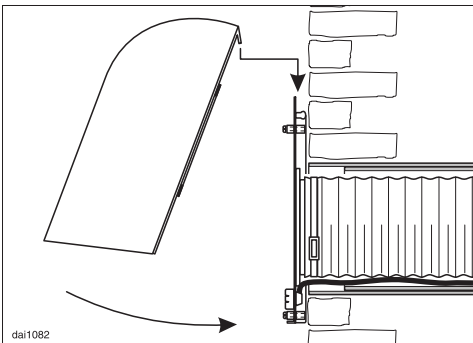
- Position the bracket onto the outside wall again and feed the control cable with the six-pole connectors through the telescopic wall pipe into the house.
- If equipotential bonding is required, pull the earth cable through the hole provided in the motor unit bracket.

Equipotential bonding is required if the control cable is to be extended by more than the length of the extension cable supplied (see "Electrical connection").

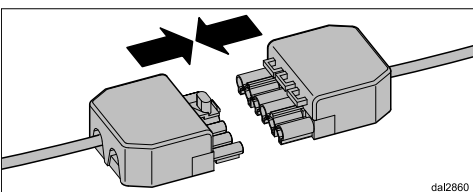


- Connect the control cable plug connectors.
- Use the extension cable supplied to lengthen the connection cable if necessary.

- Feed the flexible ducting through the telescopic wall pipe and secure it to the collar on the motor unit fixing bracket with a hose clip.
- Secure the bracket to the external wall with 3 screws.
- Extend the flexible ducting from the inside of the wall along the wall pipe and seal the gap between the ducting and the wall pipe with jointing compound.

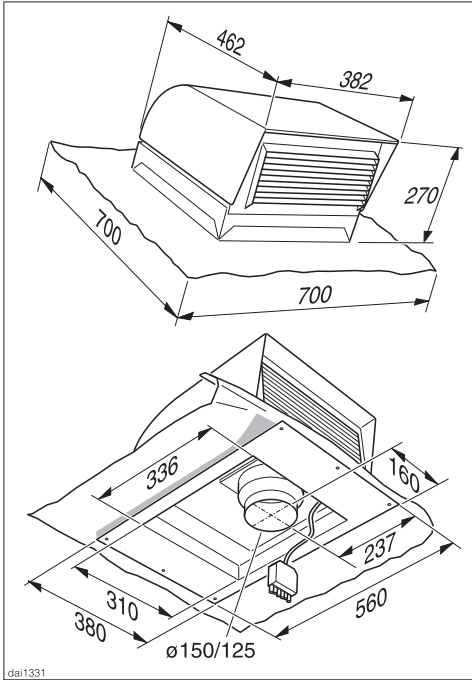


- Refit the motor unit and secure with the 2 screws on the underside of the external motor.



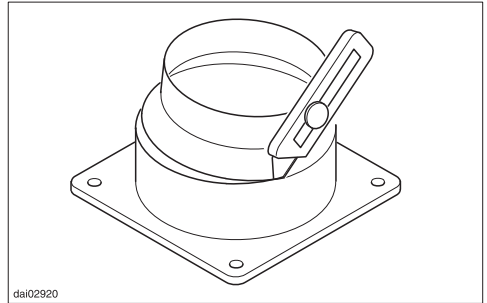
Installation

DDG 102



Please refer to the operating and installation instructions for the cooker hood before installing the external motor and ducting.

The ducting collar on the motor unit has a diameter of 125 mm when the appliance is supplied.



- If a diameter of 150 mm is required, the front ring of the collar must be cut at the join with a sharp knife.

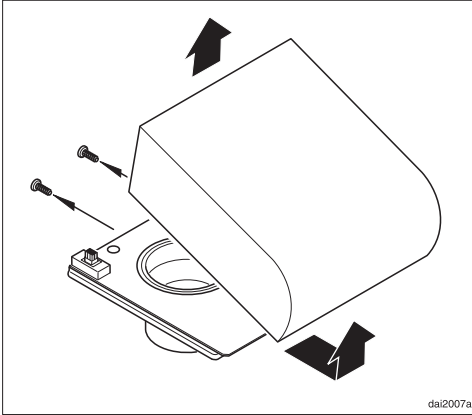
The DDG 102 is designed for installation on angled tiled, pantiled, slate or shingle roofs. The slope of the roof must be at least 22° to prevent the ingress of the elements, such as rain or snow.

Consult a roofing expert for advice regarding other types of roofing.

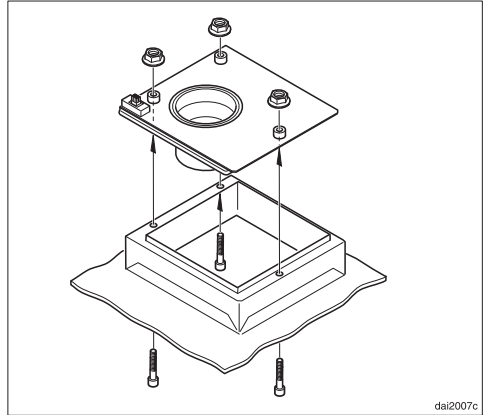
This motor unit is not suitable for installation on a flat roof.

Installation must only be carried out by a qualified and competent person.

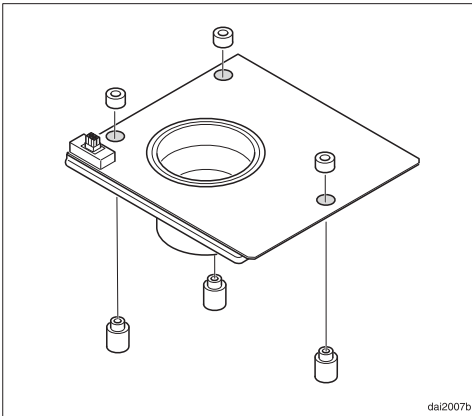
The external motor is connected to the cooker hood by means of a control cable and is operated by the controls on the cooker hood.



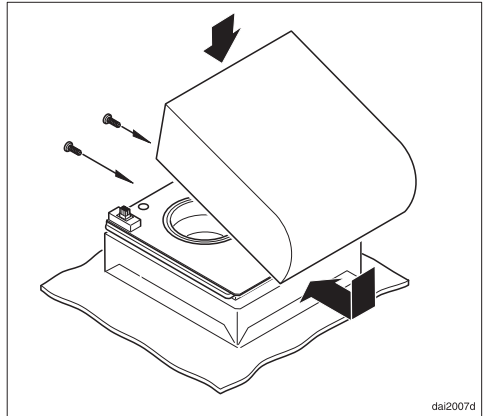
- Unscrew the two fixing screws and remove the motor unit from the base plate.



- Secure the base plate to the mounting frame with the screws and nuts supplied.

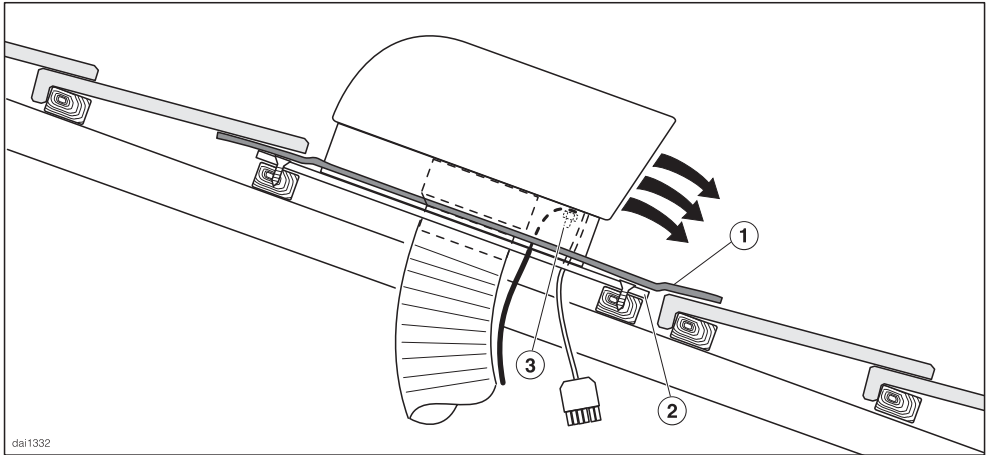


- Fit the three bushes supplied to the base plate.



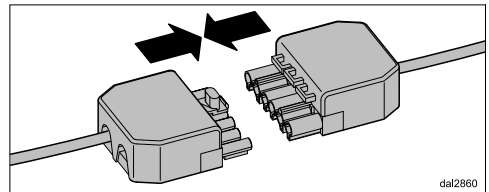
- Refit the motor unit.

Installation



- Remove the roofing around the installation area.
- Bend the flashing ① upwards.
- Position the motor unit on the roof with the air outlet directed down the roof.
- Secure the motor unit to the roof substructure with the fixing plate ②.
- Replace the roofing. Press down on the flashing to ensure that it creates a proper seal. The flashing should be fitted under the roofing at the top of the motor unit and above the roofing at the sides and bottom of the motor unit.
- If equipotential bonding is required, connect the earth cable to the connection point provided ③ on the casing.

- Push the flexible ducting onto the connection on the motor unit and secure it with a hose clip.

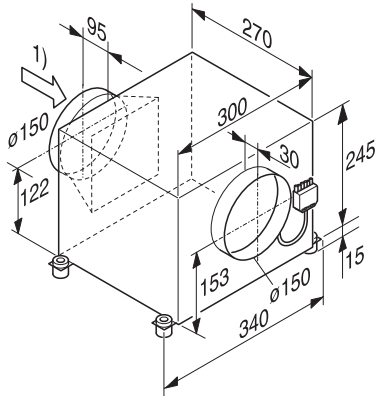


- Connect the control cable plug connectors.
- Use the extension cable supplied to lengthen the connection cable if necessary.

When feeding the cable and the exhaust ducting through the substructure of the roof, be careful to ensure that any gaps are sealed up properly afterwards.

Equipotential bonding is required if the control cable is to be extended by more than the length of the extension cable supplied (see "Electrical connection").

ABLG 202



1) Suction side

The ABLG 202 external motor is designed for installation inside the house. Possible locations:

- In the attic or ceiling space
- In an adjoining room, e.g. a pantry or garage
- In the kitchen, if sufficient insulation is used

It can be installed horizontally or vertically.

If installing vertically please observe the instructions on the next page.

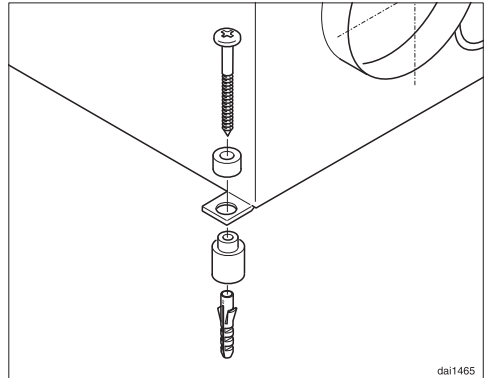
The external motor is connected to the cooker hood by means of a control cable and is operated by the controls on the cooker hood.

Please refer to the operating and installation instructions for the cooker hood before installing the external motor and ducting.

- Position the external motor in a suitable location.

Pay particular attention to the direction of the ducting

- Mark the positions for the four motor base plate holes on the installation surface.
- Place the motor to one side.



- Drill 4 $\varnothing 8$ mm holes in the positions marked to a depth of 40 mm for securing the external motor.
- Press S 8 plugs into the drill holes so that they are flush.
- Connect the 3 mountings through the fixing holes in the motor unit base plate as illustrated.
- Secure the motor with the screws supplied.

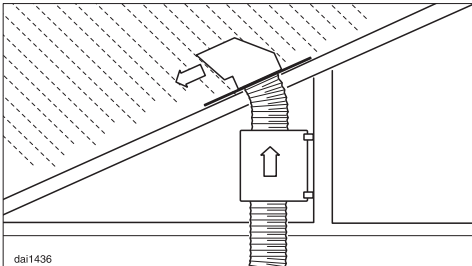
Installation

The ducting collar on the motor unit has a diameter of 150 mm as standard. If a diameter of 125 mm is required a reducing collar must be used.

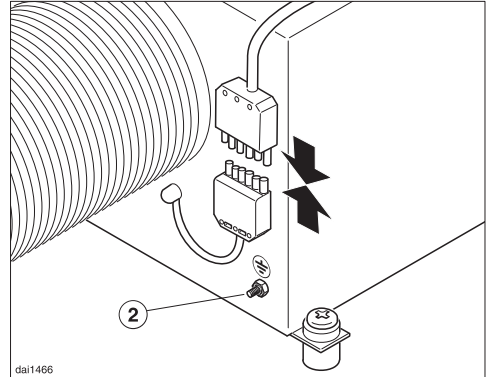
A reducing collar is available to order from Miele or from your Miele supplier.

- Push the flexible ducting onto the connection on the motor unit and secure it with a hose clip.
- Ducting with a diameter of 150 mm is then connected to the exhaust side.

If the exhaust air is to be ducted into the open air, a telescopic wall vent kit can be used. A telescopic wall vent kit is available to order from Miele or from your Miele supplier.



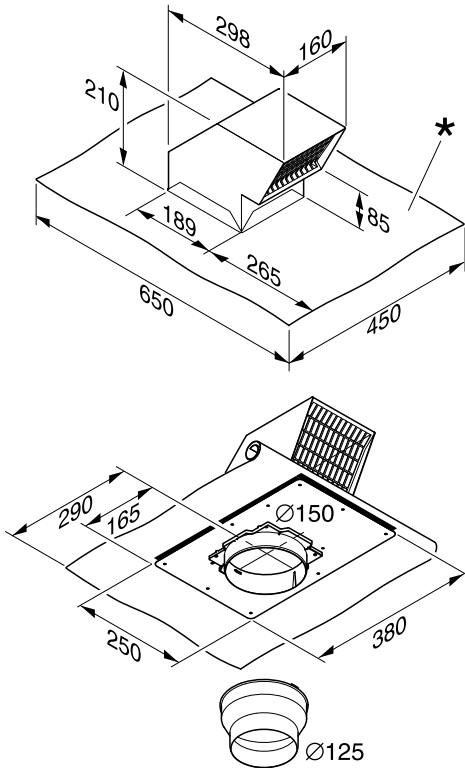
If the motor is installed vertically with the exhaust ducting venting over a roof, a roof vent kit DDF 125/150 or similar measures must be used to prevent the elements such as rainwater or snow penetrating the exhaust opening.



- Connect the control cable plug connectors.
- Use the extension cable supplied to lengthen the connection cable if necessary.
- If equipotential bonding is required, connect the earth cable to the connection point provided (2) on the casing.

Equipotential bonding is required if the control cable is to be extended by more than the length of the extension cable supplied (see "Electrical connection").

DDF 125/150



* Flashing

The DDF 125/150 roof vent is designed for installing ducting through pitched tiles, pantiled, slate or shingle roofs. The slope of the roof must be at least 22° to prevent the ingress of the elements, such as rain or snow.

Consult a roofing expert for advice regarding other types of roofing.

This motor unit is not suitable for installation on a flat roof.

Installation must only be carried out by a qualified and competent person.

- Remove the roofing around the installation area.
- Bend the flashing * upwards.
- Position the roof vent on the roof with the air outlet directed down the roof.
- Secure the roof vent to the roof substructure with the fixing plate.
- Replace the roofing. Press down on the flashing to ensure that it creates a proper seal.
The flashing should be fitted under the roofing at the top of the roof vent and above the roofing at the sides and bottom of the roof vent.

The ducting collar on the roof vent has a diameter of 150 mm as standard. If a diameter of 125 mm is required the reducing collar supplied must be used.

- Push the flexible ducting onto the connection on the roof vent and secure it with a hose clip.

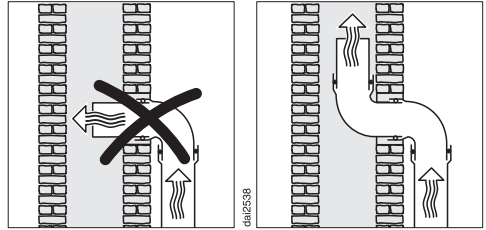
It has an integrated non-return flap.

When feeding the exhaust ducting through the substructure of the roof, be careful to ensure that any gaps are sealed up properly afterwards.

Connection for air extraction

- Use smooth pipes or flexible ducting made from approved non-flammable materials for exhaust ducting.
- To achieve the most efficient air extraction with the lowest noise levels, please note the following:
 - The cross-section of the exhaust ducting must not be smaller than the cross-section of the exhaust connection (see "Appliance dimensions").
 - The exhaust ducting should be as short and straight as possible.
 - Only use wide radius bends.
 - The exhaust ducting must not be kinked or compressed.
 - Ensure that all connections are strong and airtight.

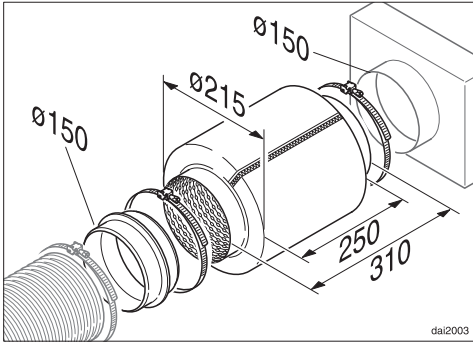
Remember that any constriction of the air flow will reduce extraction performance and increase operating noise.



- If the exhaust air is to be ducted into a flue, the ducting must be directed in the flow direction of the flue.
- Where ducting is horizontal, it must be laid to slope away at at least 1 cm per metre. This is to ensure that condensate cannot drain back into the cooker hood.
- If the exhaust ducting is to run through rooms, ceiling space etc. where there may be great variations in temperature between the different areas. The problem of condensation will need to be addressed. The exhaust ducting will need to be suitably insulated.

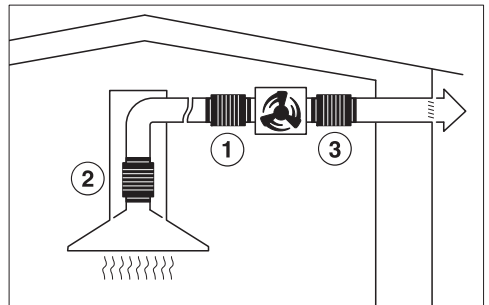
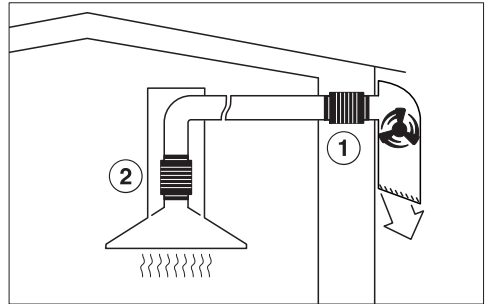
Connection for air extraction

Silencer



To achieve even further reductions in noise levels, a special silencer (optional accessory) can be fitted in the ducting system.

Extraction mode with an external motor



To minimise noise from the motor in the kitchen, the silencer should be positioned in front of the external motor ① if possible, or if the ducting is long, then in the ducting above the cooker hood itself ②. In the case of an external motor that is placed inside the house (ABLG 202), fitting a silencer behind the external motor ③ reduces the noise of the motor outside the house.

After Sales / Warranty

In the event of a fault which you cannot remedy yourself, please contact your Miele dealer or the Miele Service Department.

Contact details for Miele are given at the end of this booklet. N.B. A call-out fee will be charged for service visits where the problem could have been resolved as described in these instructions.

When contacting your dealer or Miele, please quote the model and serial number of your appliance. These are shown on the data plate.

Position of the data plate

The data plate is located on the housing.

Warranty: U.K.

In the U.K., the appliance warranty is valid for 2 years from the date of purchase. However, you must activate your cover by calling 0330 160 6640 or registering online at www.miele.co.uk.

Please note that telephone calls may be monitored and recorded for training purposes.

Warranty: Other countries

For information on the appliance warranty specific to your country please contact Miele. See end of this booklet for contact details.

The external motor is connected to the cooker hood by means of a special control cable and is operated by the control elements on the cooker hood.


The electrical system must comply with local and national safety regulations (BS 7671 in the UK).

For increased safety, it is recommended to protect the appliance with a suitable residual current device (RCD) with a trip current of 30 mA.

The relevant connection data can be found on the data plate (see "After sales service and warranty"). Ensure that this data matches the voltage and frequency of your household mains supply.

The external motor is supplied with a 5 m extension cable. If the control cable needs to be extended further by means of an additional extension cable or a hardwired connection cable (at least $6 \times 1.5 \text{ mm}^2$), the installation must conform to local and national electrical safety regulations.

Equipotential bonding is required in this case.

The external motor is supplied with an earthed connection point .

This external motor has been designed to be connected to a suitable Miele cooker hood only.

Technical data

AWG 102

Total connected load	200 W
Voltage, frequency	AC 230 V, 50 Hz
Fuse rating	5 A
Control cable length	0.75 m
Connection cable length	5 m
Weight	14.1 kg
Operating temperature	down to - 20 °C
Fan throughput according to EN 61591*	
Level 1	320 m ³ /h
Level 2	460 m ³ /h
Level 3	580 m ³ /h
Booster setting (intensive setting)	760 m ³ /h

*For example in combination with a DA 429-6 EXT cooker hood

ABLG 202

Total connected load	290 W
Voltage, frequency	AC 230 V, 50 Hz
Fuse rating	5 A
Connection cable length	5 m
Weight	8 kg
Operating temperature	down to - 20 °C
Fan throughput according to EN 61591*	
Level 1	300 m ³ /h
Level 2	460 m ³ /h
Level 3	600 m ³ /h
Booster setting (intensive setting)	820 m ³ /h

*For example in combination with a DA 429-6 EXT cooker hood

Technical data

DDG 102

Total connected load	200 W
Voltage, frequency	AC 230 V, 50 Hz
Fuse rating	5 A
Control cable length	0.75 m
Connection cable length	5 m
Weight	15.2 kg
Operating temperature	down to - 20 °C
Fan throughput according to EN 61591*	
Level 1	320 m ³ /h
Level 2	460 m ³ /h
Level 3	580 m ³ /h
Booster setting (intensive setting)	760 m ³ /h

*For example in combination with a DA 429-6 EXT cooker hood

United Kingdom

Miele Co. Ltd.
Fairacres, Marcham Road
Abingdon, Oxon, OX14 1TW
Customer Contact Centre Tel: 0330 160 6600
E-mail: mielecare@miele.co.uk
Internet: www.miele.co.uk

Australia

Miele Australia Pty. Ltd.
ACN 005 635 398
ABN 96 005 635 398
1 Gilbert Park Drive, Knoxfield, VIC 3180
Tel: 1300 464 353
Internet: www.miele.com.au

China

Miele (Shanghai) Trading Ltd.
1-3 Floor, No. 82 Shi Men Yi Road
Jing' an District
200040 Shanghai, PRC
Tel: +86 21 6157 3500, Fax: +86 21 6157 3511
E-mail: info@miele.cn, Internet: www.miele.cn

Miele (Hong Kong) Limited

41/F - 4101, Manhattan Place
23 Wang Tai Road
Kowloon Bay, Hong Kong
Tel: (852) 2610 1025, Fax: (852) 3579 1404
Email: customerservices@miele.com.hk
Website: www.miele.hk

India

Miele India Pvt. Ltd.
Ground Floor, Copia Corporate Suites
Plot No. 9, Jasola, New Delhi - 110025
Tel: 011-46 900 000, Fax: 011-46 900 001
E-mail: customercare@miele.in, Internet: www.miele.in

Ireland

Miele Ireland Ltd.
2024 Bianconi Avenue
Citywest Business Campus, Dublin 24
Tel: (01) 461 07 10, Fax: (01) 461 07 97
E-Mail: info@miele.ie, Internet: www.miele.ie

Manufacturer: Miele & Cie. KG

Carl-Miele-Straße 29, 33332 Gütersloh, Germany

Miele

Malaysia

Miele Sdn Bhd
Suite 12-2, Level 12
Menara Sapura Kencana Petroleum
Solaris Dutamas No. 1, Jalan Dutamas 1
50480 Kuala Lumpur, Malaysia
Phone: +603-6209-0288
Fax: +603-6205-3768

New Zealand

Miele New Zealand Limited
IRD 98 463 631
Level 2, 10 College Hill
Freemans Bay, Auckland 1011, NZ
Tel: 0800 464 353
Internet: www.miele.co.nz

Singapore

Miele Pte. Ltd.
163 Penang Road
04 - 03 Winsland House II
Singapore 238463
Tel: +65 6735 1191, Fax: +65 6735 1161
E-Mail: info@miele.com.sg
Internet: www.miele.sg

South Africa

Miele (Pty) Ltd
63 Peter Place, Bryanston 2194
P.O. Box 69434, Bryanston 2021
Tel: (011) 875 9000, Fax: (011) 875 9035
E-mail: info@miele.co.za
Internet: www.miele.co.za

United Arab Emirates

Miele Appliances Ltd.
Gold & Diamond Park
Office No. 6-217, Sheikh Zayed Road
P.O. Box 11 47 82 - Dubai
Tel. +971 4 3044 999
Fax. +971 4 3418 852
800-MIELE (64353)
E-Mail: info@miele.ae
Website: www.miele.ae

AWG 102
DDG 102
ABLG 202
DDF 125/150



en-GB

M.-Nr. 10 695 710 / 03