

KOBALT™

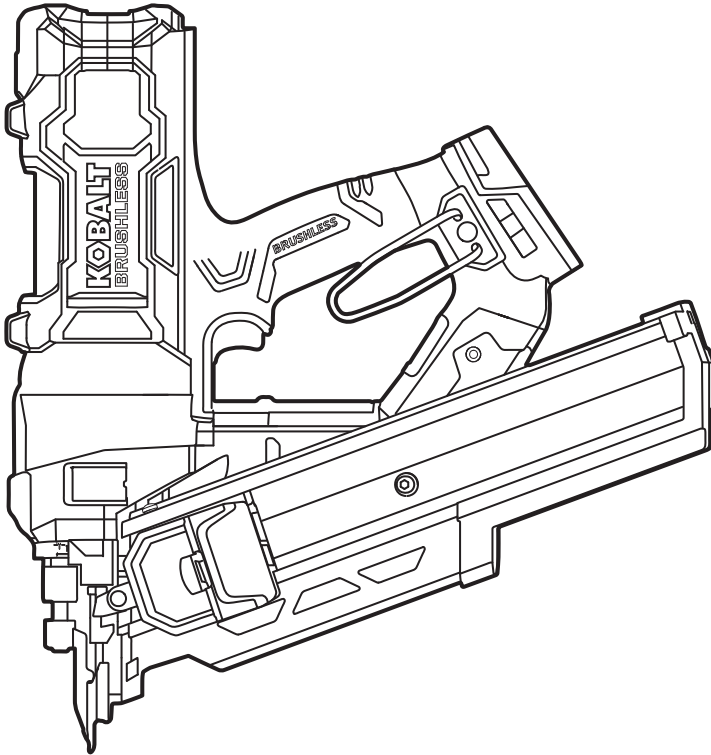
KOBALT and logo design are trademarks or registered trademarks of LF, LLC. All rights reserved.

ITEM #6511486
MODEL #KXNA 324B-03

21° FRAMING NAILER

Español p. 19

ATTACH YOUR RECEIPT HERE



Serial Number _____

Purchase Date _____

Thank you for purchasing this KOBALT product.
Questions, problems or missing parts?
Before returning, contact us on: **888-3KOBALT (888-356-2258)**, 8 a.m.-8 p.m.,
EST, Monday - Sunday or ascs@lowes.com.

SG24764

TABLE OF CONTENTS

Package Contents 3

Hardware Contents 4

Safety Information 4

Preparation 8

Assembly Instructions..... 9


Operating Instructions 10

Care and Maintenance 17

Troubleshooting 17

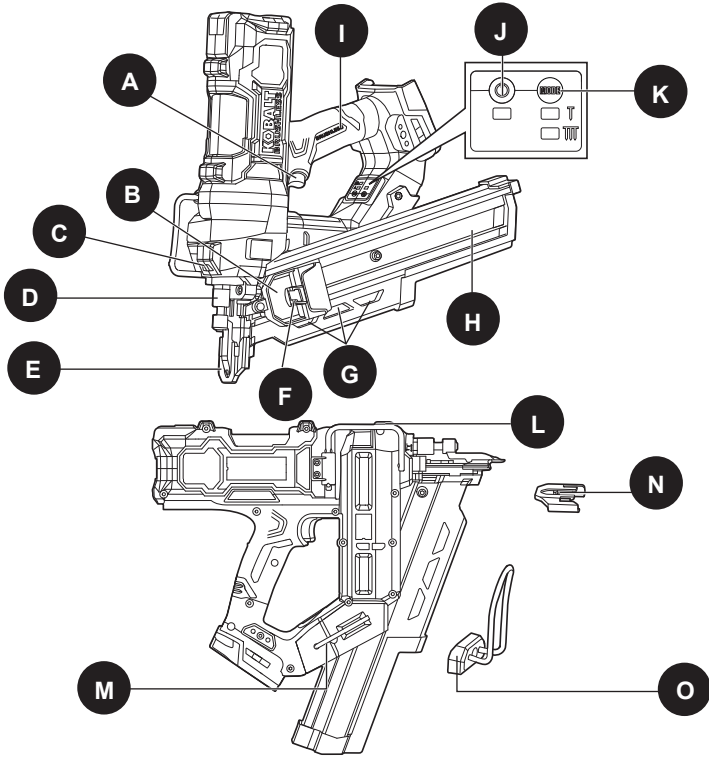
Warranty 18

PRODUCT SPECIFICATIONS

COMPONENT	SPECIFICATION
Rated Voltage	24 V 
Nail Type	Length: 2 in. – 3-1/2 in. (50.8 mm – 88.9 mm) Diameter: 0.113 in. – 0.131 in. (2.8 mm – 3.3 mm)
Magazine Capacity	38-43 Nails
Acceptable Collated Nail Angle	20°-22°
Recommended Operating and Storage Temperature	41°F (5°C) – 104°F (40°C)



PACKAGE CONTENTS



PART	DESCRIPTION
A	Trigger switch
B	Magazine Pusher
C	LED work light
D	Depth selector
E	Workpiece contact
F	Pusher release lever
G	Nail indicator window
H	Magazine

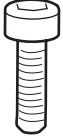
PART	DESCRIPTION
I	Handle
J	Power switch
K	Mode button
L	Rafter hook
M	4 mm Hex key
N	No-mar pad
O	Belt hook

! WARNING:

- Remove the tool from the package and examine it carefully. Do not discard the carton or any packaging material until all parts have been examined.
- If any part of the tool is missing or damaged, do not attach the battery pack or use the tool until the part has been repaired or replaced. Failure to heed this warning could result in serious injury.



HARDWARE CONTENTS



M4 x 14mm
Screw
Qty.1

SAFETY INFORMATION

Please read and understand this entire manual before attempting to assemble, operate or install the product.

WARNING:

- The operation of any power tool can result in foreign objects being thrown into your eyes, which can result in severe eye damage. Before beginning power-tool operation, always wear safety goggles or safety glasses with side shields and a full-face shield, when needed. We recommend using a wide vision safety mask over eyeglasses or standard safety glasses with shields. Always use eye protection marked to comply with ANSI Z87.1.

WARNING:

- Drilling, sawing, sanding or machining wood products can expose you to wood dust, a substance known to the State of California to cause cancer. Avoid inhaling wood dust or use a dust mask or other safeguards for personal protection. For more information go to www.P65Warnings.ca.gov/wood.

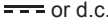



WARNING:

- Some dust created by power sanding, sawing, grinding, drilling and other construction activities contains chemicals known to the state of California to cause cancer, birth defects or other reproductive harm. Some examples of these chemicals are:
 - Lead from lead-based paints,
 - Crystalline silica from bricks and cement and other masonry products, and
 - Arsenic and chromium from chemically-treated lumber.Your risk from these exposures varies, depending on how often you do this type of work. To reduce your exposure to these chemicals: work in a well ventilated area, and work with approved safety equipment, such as those dust masks that are specially designed to filter out microscopic particles.



SAFETY INFORMATION

Some of the following symbols may be used on this tool. Please study them and their meaning. Proper interpretation of these symbols will allow you to operate the tool better and more safely.

SYMBOL	DEFINITION	SYMBOL	DEFINITION
V	Volts	 or d.c.	Direct Current
	A danger, warning, or caution. It means 'Attention! Your safety is involved.'		To reduce the risk of injury, user must read instruction manual.
GA	Gauge		This symbol designates that this tool is listed by Underwriters Laboratories.

General Power Tool Safety Warnings



WARNING:

- **Read all safety warnings, instructions, illustrations and specifications provided with this power tool.** Failure to follow all instructions listed below may result in electric shock, fire and/or serious injury.

Save all warnings and instructions for future reference

The term "power tool" in the warnings refers to your mains-operated (corded) power tool or battery-operated (cordless) power tool.

Work Area Safety

- **Keep work area clean and well lit.** Cluttered or dark areas invite accidents.
- **Do not operate power tools in explosive atmospheres, such as in the presence of flammable liquids, gases or dust.** Power tools create sparks, which may ignite the dust or fumes.
- **Keep children and bystanders away while operating a power tool.** Distractions can cause you to lose control.

Electrical Safety

- **Power tool plugs must match the outlet. Never modify the plug in any way. Do not use any adapter plugs with earthed (grounded) power tools.** Unmodified plugs and matching outlets will reduce risk of electric shock.
- **Avoid body contact with earthed or grounded surfaces, such as pipes, radiators, ranges and refrigerators.** There is an increased risk of electric shock if your body is earthed or grounded.



SAFETY INFORMATION

- **Do not expose power tools to rain or wet conditions.** Water entering a power tool will increase the risk of electric shock.
- **Do not abuse the cord. Never use the cord for carrying, pulling or unplugging the power tool. Keep cord away from heat, oil, sharp edges or moving parts.** Damaged or entangled cords increase the risk of electric shock.
- **When operating a power tool outdoors, use an extension cord suitable for outdoor use.** Use of a cord suitable for outdoor use reduces the risk of electric shock.
- **If operating a power tool in a damp location is unavoidable, use a ground fault circuit interrupter (GFCI) protected supply.** Use of a GFCI reduces the risk of electric shock.

Personal Safety

- **Stay alert, watch what you are doing and use common sense when operating a power tool. Do not use a power tool while you are tired or under the influence of drugs, alcohol or medication.** A moment of inattention while operating power tools may result in serious personal injury.
- **Use personal protective equipment. Always wear eye protection.** Protective equipment such as dust mask, non-skid safety shoes, hard hat, or hearing protection, used for appropriate conditions, will reduce personal injuries.
- **Prevent unintentional starting. Ensure that the switch is in the off-position before connecting to power source and/or battery pack, picking up or carrying the tool.** Carrying power tools with your finger on the switch or energizing power tools that have the switch on invites accidents.
- **Remove any adjusting key or wrench before turning the power tool on.** A wrench or a key left attached to a rotating part of the power tool may result in personal injury.
- **Do not overreach. Keep proper footing and balance at all times.** This enables better control of the power tool in unexpected situations.
- **Dress properly. Do not wear loose clothing or jewelry. Keep your hair, clothing and gloves away from moving parts.** Loose clothes, jewelry or long hair can be caught in moving parts.
- **If devices are provided for the connection of dust extraction and collection facilities, ensure these are connected and properly used.** Use of these devices can reduce dust-related hazards.
- **Do not let familiarity gained from frequent use of tools allow you to become complacent and ignore tool safety principles.** A careless action can cause severe injury within a fraction of a second.

Power Tool Use and Care

- **Do not force the power tool. Use the correct power tool for your application.** The correct power tool will do the job better and safer at the rate for which it was designed.
- **Do not use the power tool if the switch does not turn it on and off.** Any power tool that cannot be controlled with the switch is dangerous and must be repaired.
- **Disconnect the plug from the power source and/or the battery pack from the power tool before making any adjustments, changing accessories, or storing power tools.** Such preventive safety measures reduce the risk of starting the power tool accidentally.
- **Store idle power tools out of the reach of children and do not allow persons unfamiliar with the power tool or these instructions to operate the power tool.** Power tools are dangerous in the hands of untrained users.



SAFETY INFORMATION

- **Maintain power tools. Check for misalignment or binding of moving parts, breakage of parts and any other condition that may affect the power tool's operation. If damaged, have the power tool repaired before use.** Many accidents are caused by poorly maintained power tools.
- **Keep cutting tools sharp and clean.** Properly maintained cutting tools with sharp cutting edges are less likely to bind and are easier to control.
- **Use the power tool, accessories, tool bits, etc., in accordance with these instructions, taking into account the working conditions and the work to be performed.** Use of the power tool for operations different from those intended could result in a hazardous situation.
- **Keep handles and grasping surfaces dry, clean and free from oil and grease.** Slippery handles and grasping surfaces do not allow for safe handling and control of the tool in unexpected situations.

Battery Tool Use and Care

- **Recharge only with the charger specified by the manufacturer.** A charger that is suitable for one type of battery pack may create a risk of fire when used with another battery pack.
- **Use power tools only with specifically designated battery packs.** Use of any other battery packs may create a risk of injury and fire.
- **When battery pack is not in use, keep it away from other metal objects, like paper clips, coins, keys, nails, screws or other small metal objects, that can make a connection from one terminal to another.** Shorting the battery terminals together may cause burns or a fire.
- **Under abusive conditions, liquid may be ejected from the battery; avoid contact. If contact accidentally occurs, flush with water. If liquid contacts eyes, additionally seek medical help.** Liquid ejected from the battery may cause irritation or burns.
- **Do not use a battery pack or tool that is damaged or modified.** Damaged or modified batteries may exhibit unpredictable behavior resulting in fire, explosion or risk of injury.
- **Do not expose a battery pack or tool to fire or excessive temperature.** Exposure to fire or temperature above 265 °F (130 °C) may cause explosion.
- **Follow all charging instructions and do not charge the battery pack or tool outside the temperature range specified in the instructions.** Charging improperly or at temperatures outside the specified range may damage the battery and increase the risk of fire.

Service

- **Have your power tool serviced by a qualified repair person using only identical replacement parts.** This will ensure that the safety of the power tool is maintained.
- **Never service damaged battery packs.** Service of battery packs should only be performed by the manufacturer or authorized service providers.

NAILER SAFETY WARNINGS

- **Always assume that the tool contains fasteners.** Careless handling of the nailer can result in unexpected firing of fasteners and personal injury.
- **Do not point the tool towards yourself or anyone nearby.** Unexpected triggering will discharge the fastener causing an injury.
- **Do not actuate the tool unless the tool is placed firmly against the workpiece.** If the tool is not in contact with the workpiece, the fastener may be deflected away from your target.
- **Disconnect the tool from the power source when the fastener jams in the tool.** While removing a jammed fastener, the nailer may be accidentally activated if it is plugged in.



SAFETY INFORMATION

- **Use caution while removing a jammed fastener.** The mechanism may be under compression and the fastener may be forcefully discharged while attempting to free a jammed condition.
- **Do not use this nailer for fastening electrical cables.** It is not designed for electric cable installation and may damage the insulation of electric cables thereby causing electric shock or fire hazards.
- **Hold power tool by insulated gripping surfaces, when performing an operation where the fastener may contact hidden wiring.** Fasteners contacting a “live” wire may make exposed metal parts of the power tool “live” and could give the operator an electric shock.

Additional Warnings

- Use only with the battery packs and chargers listed below:

BATTERY PACK	BATTERY CHARGER
KB 224-03; KB 424-03; KB 524-03; KB 624-03; KXB 424-03; KXB 824-03;	KRC 2445-03; KRC 2490-03; KRC 2404-03; KDPC 124-03; KCH 2401-03; KCH 2411-03;

- **The battery pack and charger manuals are provided separately. They include specific safety rules and operating instructions. Please refer to the battery pack and charger manuals for safety rules and detailed operating instructions.**

PREPARATION

Know Your Framing Nailer

Your framing nailer has been designed for the purposes listed below:

- Driving nail into wooden workpieces.

Before beginning assembly of product, make sure all parts are present. Compare parts with package contents list and hardware contents list. If any part is missing or damaged, do not attempt to assemble the product.

Tools Required for Assembly (included): Hex key (M)



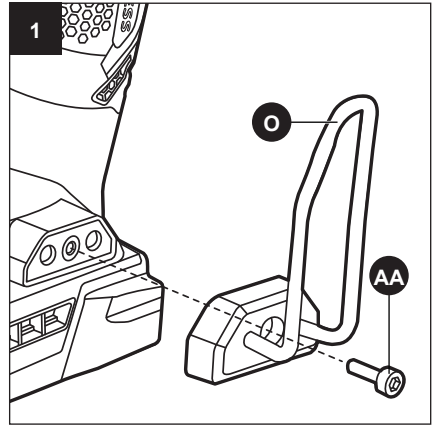
WARNING:

- Do not allow familiarity with the nailer to cause carelessness. Remember that one careless moment is enough to cause severe injury. Before attempting to use any tool, be sure to become familiar with all of the operating features and safety instructions.
- Do not attempt to modify this tool or create accessories not recommended for use with this tool. Any such alteration or modification is misuse and could result in a hazardous condition leading to possible serious personal injury.

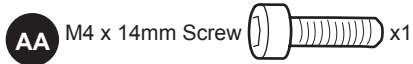
ASSEMBLY INSTRUCTIONS

1. Installing and Removing the Belt Hook

- a. Remove the battery pack from the tool.
- b. Align the two pins of the belt hook (O) with the holes in the base of the nailer.
- c. Insert the screw (AA) and tighten the screw securely with the supplied hex key (M).
- d. To remove the belt hook (O), use the supplied hex key (M) to loosen the screw and remove the belt hook.
- e. After use, return the hex key (M) to its storage area as shown.



HARDWARE USED



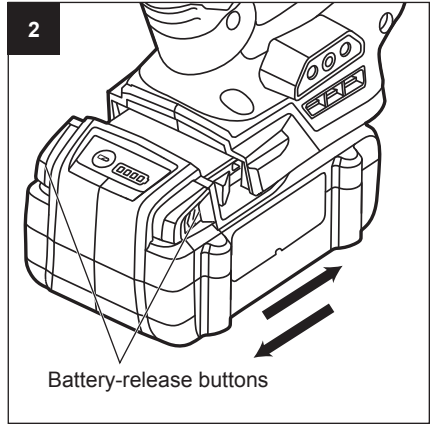
OPERATING INSTRUCTIONS

2. To Attach Battery Pack

- a. Align the raised portion on the battery pack with the grooves in the base of the tool, and then slide the battery pack into the tool as shown.
- b. Make sure that the latch on the battery pack snaps into place and the battery pack is secured to the tool before beginning operation.

NOTICE:

- When placing the battery pack on the tool, be sure that the raised rib on battery pack aligns with the groove on the tool and the latches snap into place properly. Improper assembly of the battery pack can cause damage to internal components.



To Detach Battery Pack

- a. Press the battery-release buttons to release the battery pack.
- b. Pull the battery pack backwards to remove it from the tool.

⚠ WARNING:

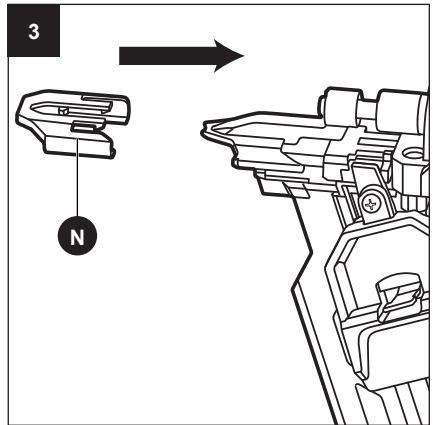
- Battery tools are always in operating condition. Therefore, always remove the battery pack when the tool is not in use or when carrying the tool at your side.

3. No-mar Pad

⚠ WARNING

- **Remove the battery pack from the tool before removing or replacing the no-mar pad.** Failure to do so could result in serious personal injury.

The no-mar pad (N) attached to the workpiece contact of the tool helps prevent marring and denting the work surface when working with softer woods. One no-mar pad is provided. To attach the no-mar pad, fit it into place over the workpiece contact and push up at the back to seat it. To remove the no-mar pad, pull it down and away from the workpiece contact.



OPERATING INSTRUCTIONS

4. To Load or Remove Nails

⚠ WARNING

- Keep the tool pointed away from yourself and others when loading nails. Failure to do so could result in possible serious personal injury.
- Use only the nails recommended for use with this tool. The use of any other nails can result in tool malfunction, leading to serious injuries.

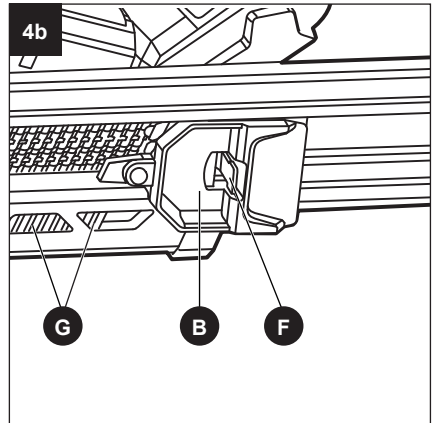
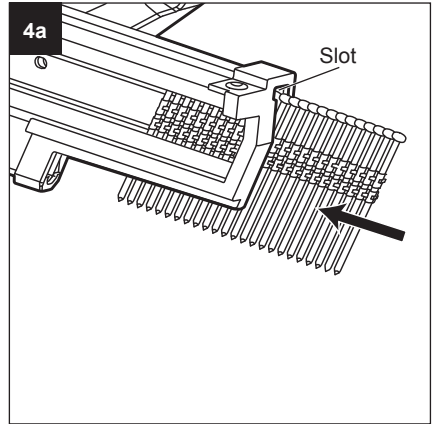
To Load Nails

- a. Remove the battery pack from the tool.
- b. With the nose of the tool pointed away from you or other person, insert the nails (not included) into the slot at the end of the magazine (H) and push the nails forward.
- c. Press and hold the pusher release lever (F) and slide the magazine pusher (B) back past the end of the nails.
- d. Continue to hold the magazine pusher (B), but release the pusher release lever (F). Slowly slide the pusher forward until it rests against the nails.

NOTE: You can observe the number of remaining nails through the nail indicator windows (G), and load more nails as needed.

To Remove Nails

- a. Remove the battery pack from the tool.
- b. Press and hold the pusher release lever (F) and slowly slide the magazine pusher (B) to the front of the magazine.
- c. Release the lever and remove the nails.



OPERATING INSTRUCTIONS

5. Depth of Drive Adjustment

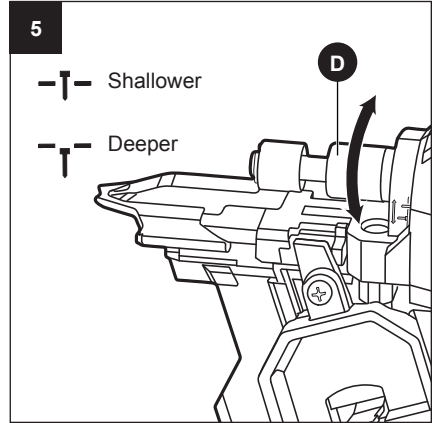
⚠ WARNING:

- Always point the nailer away from yourself and others when making adjustments. Failure to do so may cause serious injury.

It is advisable to test the depth of drive on a scrap workpiece to determine the required depth for the application.

Harder materials will require more force to drive the nail.

- a. Remove the battery pack from the tool.
- b. Rotate the depth selector (D) to adjust the depth as indicated by the depth arrow.
- c. Reattach the battery pack and restart the tool.
- d. Drive a test nail after each adjustment until the desired depth is set.



6. Rafter Hook

The rafter hook (L) is factory-installed on the framing nailer.

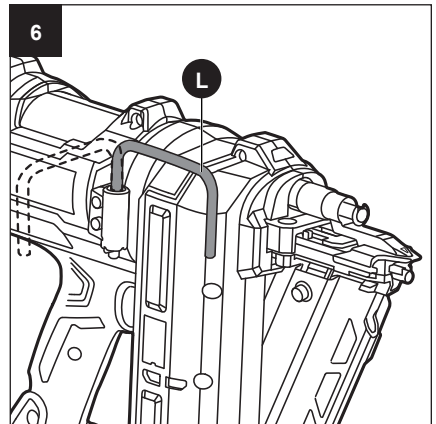
Use the rafter hook (L) to hang the nailer from a rafter, beam, or other similar secure structure for temporary storage during work breaks.

Recommended lumber size to support the nailer with the hook: 2x4.

To use, pivot the rafter hook (L) until it snaps into the open position. When not in use, always pivot the rafter hook back until it snaps into the closed position.

⚠ WARNING

- **To reduce the risk of injury from the framing nailer falling on operators or bystanders, never hang the tool using the rafter hook at high location or on potentially unstable surface and make sure it is supported securely.** Be sure to keep the area below clear to reduce the risk of the tool falling and striking someone or something below.
- **Make sure that the rafter hook is properly secured to the tool with two screws.** Do not use damaged hook and screws. Before use, always check for damages, cracks or deformities, and make sure that the screws are tightened. Use the supplied hex key to tighten the screws if needed.



OPERATING INSTRUCTIONS

7. Driving Nails

⚠ WARNING

- **Never wedge or hold back the workpiece contact mechanism during operation of the tool.** Doing so could result in possible serious injury.

NOTE: If no other action is taken after the power switch (J) is pressed, the nailer will turn off automatically after 30 minutes.

Single Sequential Actuation Mode:

Single sequential actuation provides the most accurate nail placement.

- Make sure the workpiece is secured before performing any operation.
- Attach the battery pack and start the tool by pressing the power switch (J).
- Briefly press the mode button (K) to select the single sequential actuation mode "T".
- Grip the tool firmly to maintain control. Position the nose of the tool onto the work surface.
- Push the tool against the work surface to depress the workpiece contact (E). Then squeeze the trigger switch (A) to drive a nail.
- Release the trigger switch (A) and lift the nose from the workpiece to complete the nailing action.
- Repeat the steps 'd' through 'f' to drive more nails.

NOTE:

- Hold the trigger squeezed until drive cycle is complete.
- If there is no more action for more than 10 seconds after workpiece contact (E) has been pressed without releasing, firing will be locked unless the user releases both workpiece contact (E) and trigger switch (A) and restarts operation (step 'e').

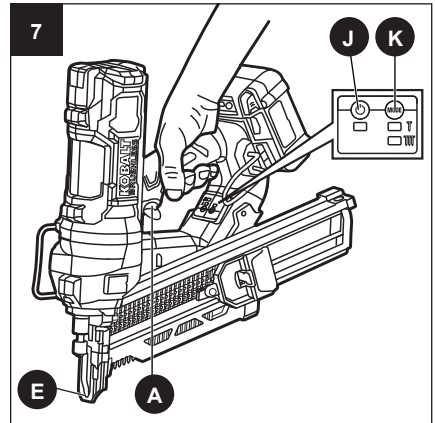
Contact Actuation Mode:

Contact actuation allows very fast repetitive nail placement.

- Make sure the workpiece is secured before performing any operation.
- Attach the battery pack and start the tool by pressing the power switch (J).
- Briefly press the mode button (K) to select the contact actuation mode "III".
- Grip the tool firmly to maintain control.
- Squeeze and hold the trigger switch (A).
- Push the tool against the work surface to depress the workpiece contact (E) and drive a nail.
- Keep the trigger squeezed, relocate the tool to the next nailing spot and push the tool against workpiece to drive another nail.
- Release the trigger switch (A) when done.

NOTE:

- Contact actuation mode still retains the logic of the single sequential actuation mode. This means the tool can also be operated by depressing the workpiece contact (E) against the surface and squeezing the trigger switch (A).



OPERATING INSTRUCTIONS

- If there is no more action for more than 10 seconds after workpiece contact (E) or trigger switch (A) have been pressed without releasing, firing will be locked unless the user releases both workpiece contact (E) and trigger switch (A) and restarts operation (step 'e').

NOTE:

- When the magazine has 0 – 7 nails remaining, the dry-fire lockout feature will not allow further operation. To resume operation, reload the tool with nails.
- For best performance, operate nailer in the recommended temperature range. Low temperatures may decrease performance.

8. LED Work Light

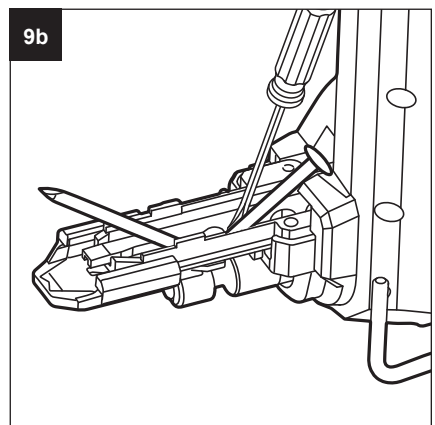
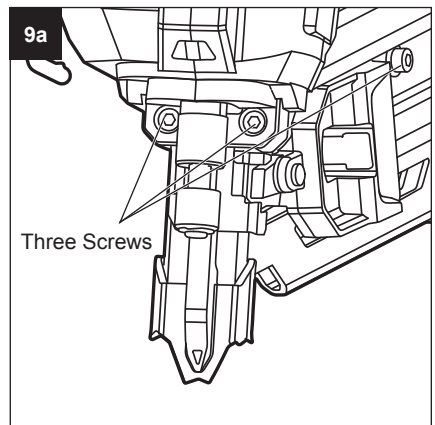
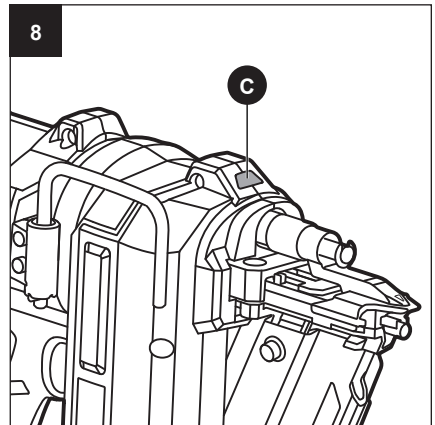
The LED work light (C), located on the front of the tool, will turn on when the trigger switch (A) or the workpiece contact (E) is depressed. This provides additional illumination of the surface of the workpiece.

The LED work light will turn off within approximately 10 seconds after both the trigger switch (A) and the workpiece contact (E) are released.

9. Removing a Jammed Nail

When there is a jammed nail in the tool, it must be removed before further use. Otherwise, the driving mechanism may be damaged.

- Remove the battery pack.
- Remove the nails from the magazine (H).
- Use the supplied hex key (M) to remove the three screws.
- Remove the magazine.
- Remove the jammed nail by using a flat head screwdriver or pliers if necessary.
- Reattach the magazine and secure the magazine by tightening the three screws using the supplied hex key (M). After use, return the hex key (M) to its storage area as shown in Fig. 1.
- Reload the nails.
- Reattach the battery pack and restart the tool by pressing the power switch (J) .



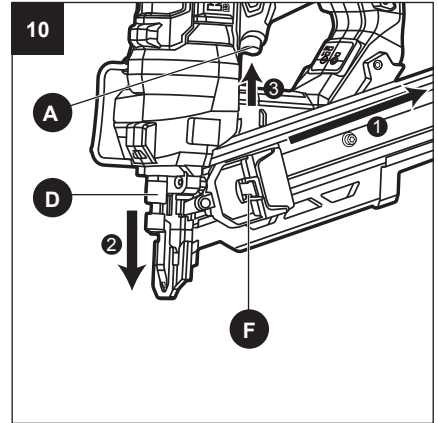
OPERATING INSTRUCTIONS

NOTE:

- Driving the nails too deeply into the material, excess debris, or jammed nails may lead to a striker being stuck at its bottom position. The striker can usually be returned to its operating position by depressing the work contact element against a scrap piece of wood and squeezing the trigger. Refer to chapter **“RETRACTING A DROPPED STRIKER”** further in this manual.

10. RETRACTING A DROPPED STRIKER



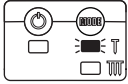
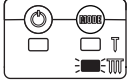
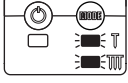
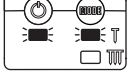
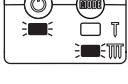
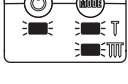
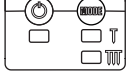
- Remove battery pack and remove all nails.
- Adjust the depth selector (D) all the way to the minimum depth.
- Reinsert battery pack, then press the power switch (J) .
- Pull back the magazine pusher (B) and hold.
- Press the workpiece contact (E) against a workpiece.
- Squeeze the trigger switch (A).
- The striker will retract.
- Reload the nails.



OPERATING INSTRUCTIONS

11. Diagnostic Lights

The LED lights under the power switch (J) and under the mode button (K) also provide feedback to indicate problems with the tool and/or battery pack. Refer to the table below to interpret the message behind the flashing LED lights and possible solutions.

LED Indicator Lights  – light is off  – light is flashing	PROBLEM	SOLUTION
	The motor stalls and the tool doesn't work. The possible problems are: - Jammed nail - Other mechanical failure	- Clear the jammed nail and restart the tool. - Or contact customer service for repairs.
	Temperature of the electronic components is too high after continuous operation.	Allow the tool to cool down.
	Connection failure including: - Poor connection between the battery pack and the tool. - Other electric connection failure.	- Remove and reattach the battery pack, then restart the tool. - Or contact customer service for repairs.
	Electronic components failure.	Contact customer service for repairs.
	Electronic components failure.	- Restart the tool. - Or contact customer service for repairs.
	Electronic components failure.	Contact customer service for repairs.
	The tool doesn't work. The possible problems are (please refer to the instruction manual for the battery pack). - Battery pack is too hot. - Battery pack charge is too low.	- Let the battery cool down or use another battery. - Charge the battery pack or use a different fully-charged battery pack. - Refer to instructions included with your battery pack and/or charger.

CARE AND MAINTENANCE



WARNING: All maintenance should only be carried out by a qualified service technician.

Cleaning



WARNING: Before cleaning or performing any maintenance, remove the battery pack from the tool. For safe and proper operation, always keep the tool and its ventilation slots clean. Always use only a soft, dry cloth to clean your impact wrench; never use detergent or alcohol.

TROUBLESHOOTING



WARNING:

- Turn off the tool. Detach the battery pack from the tool before performing troubleshooting procedures.

PROBLEM	POSSIBLE CAUSE	CORRECTIVE ACTION
The tool cannot be activated.	<ol style="list-style-type: none">1. Battery pack charge is depleted.2. Battery pack is not installed properly.3. The tool is too hot.4. The tool is overloaded.	<ol style="list-style-type: none">1. Charge the battery pack.2. Slide the battery pack onto the tool until it snaps into position.3. Wait until the tool returns to the recommended operating temperature, then restart it.4. Check if the nails are jammed, causing the motor overload.
The tool cannot be activated and the LED work light is on.	Too few nails remain in the magazine.	Load more nails into the magazine.
Tool operates properly, but the nails are not fully driven into the workpiece.	<ol style="list-style-type: none">1. Depth of drive is not deep enough.2. Nail is too long for wood hardness.3. Air pressure is too low.	<ol style="list-style-type: none">1. Adjust the depth of drive.2. Use the nail that is appropriate for the workpiece type.3. Contact customer service for repairs.
Tool jams frequently.	<ol style="list-style-type: none">1. Incorrect nails.2. Damaged nails.3. Dirty magazine.	<ol style="list-style-type: none">1. Verify that the nails are of the right size.2. Replace nails.3. Clean the magazine.
Tool cannot work properly: no nails come out or the speed has significantly slowed down.	This could be due to excessively low temperatures	Use the nailer within the recommended temperature range or warm up both the nailer and the battery pack before operation.

WARRANTY

For 5 years from the date of purchase, the power tool is warranted and for 3 years from date of purchase the battery & charger are warranted for the original purchaser to be free from defects in material and workmanship. This guarantee does not cover damage due to abuse, normal wear, improper maintenance, neglect, unauthorized repair/alteration, or expendable parts and accessories expected to become unusable after a reasonable period of use. This warranty is limited to 90 days for commercial and rental use.

If you think your product meets the above guarantee criteria, please return it to the place of purchase with valid proof of purchase and the defective product will be repaired or replaced at no charge. This guarantee gives you specific legal rights, and you may also have other rights that vary from state to state.

If you have any questions regarding the product, please call customer service at **888-3KOBALT (888-356-2258)**, 8 a.m. - 8 p.m., EST, Monday - Sunday. You could also contact us at **ascs@lowes.com**.

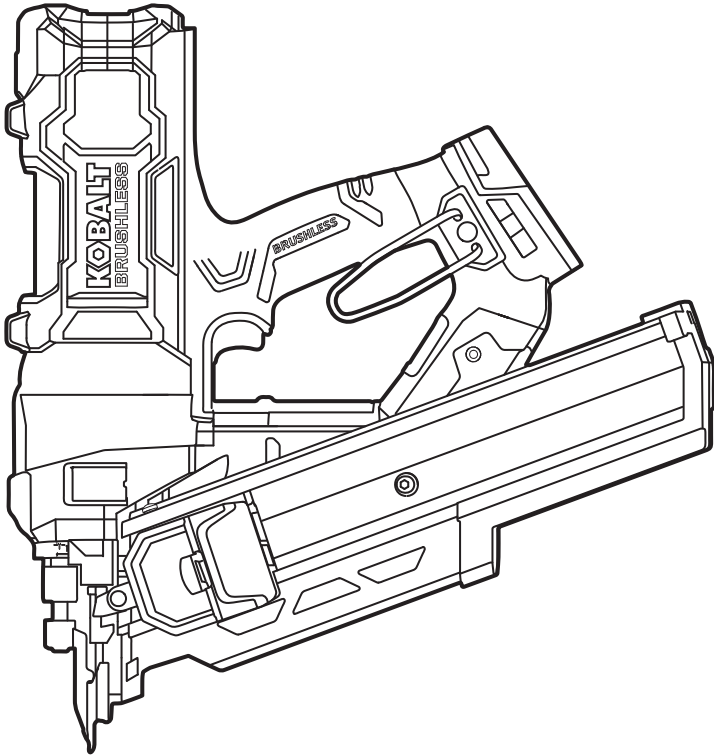
KOBALT™

ARTÍCULO #6511486
MODELO #KXNA 324B-03

CLAVADORA PARA ARMAZÓN DE 21°

KOBALT y el diseño del logotipo son marcas comerciales o marcas registradas de LF, LLC. Todos los derechos reservados.

ADJUNTE SU RECIBO AQUÍ



Número de serie _____


Fecha de compra _____

Gracias por comprar este producto KOBALT.
¿Preguntas, problemas o piezas faltantes?
Antes de hacer una devolución, contáctenos en: **888-3KOBALT (888-356-2258)**,
de 8 a.m. a 8 p.m., hora estándar del Este, de lunes a domingo o en
ascs@lowes.com.

ÍNDICE

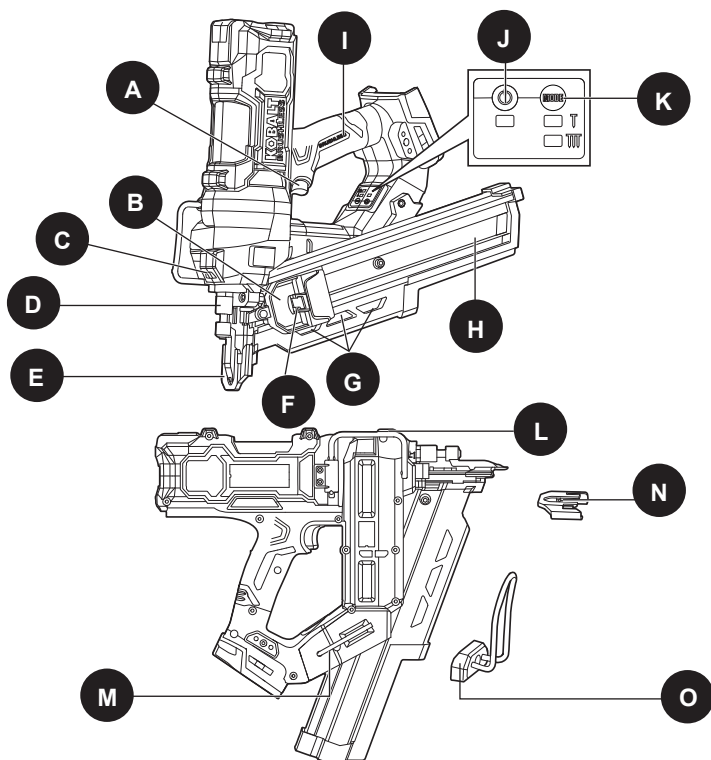
Contenido del paquete	21
Aditamentos	22
Información de seguridad	22
Preparación	27
Instrucciones de ensamblaje	28
Instrucciones de funcionamiento	29
Cuidado y mantenimiento	36
Solución de problemas	36
Garantía	37

ESPECIFICACIONES DEL PRODUCTO

COMPONENTES	ESPECIFICACIONES
Rango de voltaje	24 V 
Tipo de clavo	Largo: 50.8 mm a 88.9 mm (2 pulg. a 3 1/2 pulg.) Diámetro: 2.8 mm a 3.3 mm (0.113 pulg. a 0.131 pulg.)
Capacidad del cargador	38 a 43 clavos
Ángulo de clavado en intercalación aceptable	20°-22°
Temperatura recomendada de funcionamiento y almacenamiento	5 °C (41 °F) a 40 °C (104 °F)



CONTENIDO DEL PAQUETE



PIEZA	DESCRIPCIÓN
A	Interruptor tipo gatillo
B	Empujador de cargador
C	Luz de trabajo LED
D	Selector de profundidad
E	Contacto con la pieza
F	Liberación del empujador: palanca
G	Ventana indicadora de clavos
H	Cargador

PIEZA	DESCRIPCIÓN
I	Mango
J	Interruptor de encendido
K	Botón de modo
L	Gancho para viga
M	Llave hexagonal de 4 mm
N	Almohadilla antimarcas
O	Gancho para cinturón

ADVERTENCIA:

- Retire la herramienta del paquete y examínela cuidadosamente. No deseche la caja ni ningún material de embalaje hasta que haya examinado todas las piezas.
- Si falta alguna pieza de la herramienta o si alguna pieza está dañada, no fije el paquete de baterías ni use la herramienta hasta reparar o reemplazar la pieza. Si no tiene en cuenta la presente advertencia, podría resultar gravemente herido.

ADITAMENTOS



M4 x 14 mm

Tornillo

Cant. 1

INFORMACIÓN DE SEGURIDAD

Lea y comprenda completamente este manual antes de intentar ensamblar, usar o instalar el producto.

ADVERTENCIA:

- La operación de cualquier herramienta eléctrica puede arrojar objetos extraños a los ojos y, de esta manera, causar graves daños oculares. Use siempre lentes o gafas de seguridad con protecciones laterales y, cuando sea necesario, un protector facial que cubra todo el rostro antes de comenzar a operar una herramienta eléctrica. Recomendamos usar una máscara de seguridad de visión amplia sobre los lentes o gafas de seguridad con protecciones estándar. Siempre use lentes de protección que cumplan con la norma ANSI Z87.1.

ADVERTENCIA:

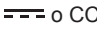



- Los productos para taladrar, aserrar, lijar o cortar madera pueden exponerlo al polvo de madera, una sustancia reconocida por el estado de California como causante de cáncer. Evita inhalar el polvo de la madera o utiliza una mascarilla antipolvo u otros artículos de protección personal. Para obtener más información, visite www.P65Warnings.ca.gov/wood.

ADVERTENCIA:

- Parte del polvo causado por el lijado eléctrico, el serruchado, la trituración, el taladro y otras actividades de construcción contiene sustancias químicas que, según el estado de California, causan cáncer, defectos congénitos u otros daños reproductivos. A continuación, se presentan algunos ejemplos de dichos productos químicos:
 - Plomo presente en las pinturas con base de plomo,
 - Sílice cristalina proveniente de ladrillos, cemento y otros productos de mampostería, y
 - Arsénico y cromo de madera tratada con químicos.El riesgo que corre debido a la exposición a estos químicos varía según la frecuencia con que la que se realiza este tipo de trabajo. A fin de reducir su exposición a estos productos químicos, trabaje en un área bien ventilada y utilice un equipo de seguridad aprobado, como las mascarillas antipolvo que están especialmente diseñadas para filtrar partículas microscópicas.

INFORMACIÓN DE SEGURIDAD

Algunos de los siguientes símbolos pueden aparecer en esta herramienta. Obsérvelos y aprenda su significado. La interpretación correcta de estos símbolos le permitirá utilizar la herramienta de manera más eficaz y segura.

SÍMBOLO	DEFINICIÓN	SÍMBOLO	DEFINICIÓN
V	Voltios	 o CC	Corriente continua
	Peligro, advertencia o precaución. Significa "¡Atención! Está poniendo en riesgo su seguridad".		Para reducir el riesgo de lesiones, el usuario debe leer el manual de instrucciones.
Calibre	Calibre		Este símbolo indica que esta herramienta está incluida en la lista de Underwriters Laboratories.

Advertencias generales de seguridad en el manejo de herramientas eléctricas

ADVERTENCIA:

- **Lea todas las advertencias de seguridad, las instrucciones, las ilustraciones y las especificaciones que se incluyen para esta herramienta eléctrica.** No cumplir con todas las instrucciones que se detallan a continuación podría provocar descargas eléctricas, incendios o lesiones graves.

Guarde todas las advertencias e instrucciones para consultarlas más adelante.

El término "herramienta eléctrica" que aparece en las advertencias refiere a la herramienta eléctrica que se conecta a la línea principal (con cable) o a la herramienta eléctrica que funciona a batería (inalámbrica).

Seguridad en el área de trabajo

- **Mantenga el área de trabajo limpia y bien iluminada.** Las áreas desordenadas u oscuras aumentan las posibilidades de accidentes.
- **No utilice herramientas eléctricas en ambientes en los que exista un riesgo de explosión, como por ejemplo, en presencia de líquidos inflamables, gases o polvo.** Las herramientas eléctricas producen chispas que podrían encender el polvo o humo.
- **Mantenga a los niños y transeúntes alejados durante la operación de una herramienta eléctrica.** Las distracciones pueden provocar que pierda el control.

Seguridad eléctrica

- **Los enchufes de las herramientas eléctricas deben encajar en el tomacorriente. Bajo ninguna circunstancia modifique el enchufe de ningún modo. No utilice ningún enchufe adaptador con herramientas eléctricas con puesta a tierra.** Los enchufes sin modificaciones y que encajan en los tomacorrientes reducen el riesgo de choque eléctrico.
- **Evite el contacto del cuerpo con superficies con puesta a tierra, tales como tuberías, radiadores, estufas o refrigeradores.** Existe un riesgo adicional de descarga eléctrica si su cuerpo tiene conexión a tierra.

- **No exponga las herramientas eléctricas a la lluvia o a condiciones de humedad.** Si ingresa agua en una herramienta eléctrica, aumentará el riesgo de sufrir una descarga eléctrica.
- **No maltrate el cable. Nunca use el cable para transportar, jalar ni desenchufar la herramienta eléctrica.** Mantenga el cable alejado del calor, el aceite, los bordes filosos o las piezas en movimiento. Los cables dañados o enredados aumentan el riesgo de sufrir una descarga eléctrica.
- **Si opera una herramienta eléctrica en exteriores, use la extensión eléctrica apropiada para el uso en exteriores.** El uso de un cable adecuado para uso en exteriores reduce el riesgo de sufrir una descarga eléctrica.
- **Si debe utilizar una herramienta eléctrica en un área húmeda, use un suministro protegido con un interruptor de circuito de falla de puesta a tierra (GFCI, por sus siglas en inglés).** El uso de un GFCI reduce el riesgo de sufrir una descarga eléctrica.

Seguridad personal

- **Manténgase alerta, preste atención a lo que hace y utilice el sentido común cuando utilice una herramienta eléctrica. No use una herramienta eléctrica si siente cansancio o está bajo los efectos de drogas, alcohol o medicamentos.** Tan solo basta un momento de distracción mientras opera herramientas eléctricas para provocar lesiones graves.
- **Use un equipo de protección personal. Siempre use lentes de protección.** Los equipos de protección, como las mascarillas antipolvo, los zapatos de seguridad antideslizantes, un casco protector o los auriculares de seguridad, utilizados en las condiciones adecuadas, disminuyen las lesiones personales.
- **Evite un arranque accidental. Asegúrese de que el interruptor esté en la posición OFF (apagado) antes de enchufar la herramienta a una fuente de alimentación o batería, levantarla o transportarla.** Transportar herramientas eléctricas con el dedo en el interruptor o enchufar herramientas eléctricas que tienen el interruptor encendido aumenta la probabilidad de provocar accidentes.
- **Retire todas las llaves de ajuste o llaves inglesas antes de encender la herramienta eléctrica.** Dejar una llave inglesa o una llave conectada a una pieza giratoria de la herramienta eléctrica puede provocar lesiones.
- **No se extienda demasiado. Mantenga una postura y un equilibrio adecuados en todo momento.** Ello supone tener un mejor control de la herramienta eléctrica en caso de producirse situaciones inesperadas.
- **Use ropa adecuada. No use ropa holgada ni joyas. Mantenga el cabello, la ropa y los guantes lejos de las piezas en movimiento.** La ropa holgada, las joyas o el cabello largo pueden quedar atascados en ellas.
- **Si se proporcionan dispositivos para la conexión de instalaciones de extracción y recolección de polvo, asegúrese de que se conecten y se usen debidamente.** El uso de estos dispositivos puede disminuir los peligros relacionados con el polvo.
- **No permita que la familiaridad obtenida con el uso frecuente de herramientas ocasione el descuido y olvido de los principios de seguridad en el uso de herramientas.** Un descuido puede ocasionar una lesión grave en menos de un segundo.

Uso y cuidado de las herramientas eléctricas

- **No fuerce la herramienta eléctrica. Use la herramienta eléctrica adecuada para su caso de aplicación.** Si emplea la herramienta eléctrica adecuada, podrá realizar un trabajo de mejor calidad y de mayor protección, al ritmo para el cual se diseñó.

INFORMACIÓN DE SEGURIDAD

- **No utilice la herramienta eléctrica si el interruptor no la enciende o apaga.** Cualquier herramienta eléctrica que no pueda controlarse con el interruptor es peligrosa y debe repararse.
- **Desconecte el enchufe de la fuente de alimentación o la batería de la herramienta eléctrica antes de realizar cualquier ajuste, cambiar accesorios o almacenar herramientas eléctricas.** Estas medidas de seguridad preventivas reducen el riesgo de provocar arranques accidentales de la herramienta eléctrica.
- **Almacene las herramientas eléctricas que no estén en uso fuera del alcance de los niños y no permita que personas no familiarizadas con la herramienta o estas instrucciones la operen.** Las herramientas eléctricas son peligrosas si caen en manos de usuarios que no saben cómo usarlas.
- **Realice mantenimiento a las herramientas eléctricas. Revise si hay piezas móviles desalineadas o trabadas, si hay piezas rotas y cualquier otra condición que pueda afectar el funcionamiento de la herramienta eléctrica.** Si se daña la herramienta eléctrica, hágala reparar antes de volver usarla. Muchos accidentes son producto del mantenimiento deficiente de las herramientas eléctricas.
- **Mantenga las herramientas de corte afiladas y limpias.** Las herramientas de corte que presentan bordes de corte afilados y que se mantienen de manera adecuada son menos propensas a trabarse y son más fáciles de controlar.
- **Use la herramienta eléctrica, los accesorios, las brocas, etc., de acuerdo con estas instrucciones, teniendo en cuenta las condiciones de trabajo y el trabajo que desea realizar.** Si la herramienta eléctrica se usa para fines distintos de los que se diseñó, podría llegar a tener lugar una situación peligrosa.
- **Mantenga las manijas y las superficies de agarre secas, limpias y sin aceite ni grasa.** Las manijas y superficies de agarre resbaladizas no permiten manipular ni controlar la herramienta de forma segura en situaciones inesperadas.

Uso y cuidado de herramientas a batería

- **Recargue el paquete de baterías solo con el cargador especificado por el fabricante.** Un cargador adecuado para un tipo de paquete de baterías puede ocasionar riesgos de incendio si se usa con otro paquete de baterías diferente.
- **Use herramientas eléctricas solo con paquetes de baterías designados específicamente.** El uso de cualquier otro paquete de baterías puede crear un riesgo de lesión e incendio.
- **Cuando el paquete de baterías no está en uso, aléjelo de objetos metálicos, como sujetapapeles, monedas, llaves, clavos, tornillos u otros objetos metálicos pequeños que pudieran crear una conexión entre los terminales.** Si se conectan las terminales de la batería, es posible que se produzcan quemaduras o un incendio.
- **En condiciones de maltrato, es posible que salga líquido de la batería. Evite el contacto. Si entra en contacto con esa sustancia por accidente, enjuague la zona comprometida con agua. Si el líquido entra en contacto con los ojos, solicite atención médica.** El líquido que sale de la batería puede provocar irritación o quemaduras.
- **No use paquetes de baterías ni herramientas si están dañadas o modificadas.** Las baterías dañadas o modificadas pueden mostrar una conducta impredecible que podría provocar incendios, explosiones o riesgo de lesiones.
- **No exponga un paquete de baterías ni una herramienta al fuego ni a temperaturas excesivas.** La exposición al fuego o a temperaturas por encima de los 130 °C (265 °F) podría causar una explosión.
- **Siga todas las instrucciones de carga y no cargue el paquete de baterías ni la herramienta fuera del rango de temperatura especificado en las instrucciones.** La carga inadecuada o a temperaturas fuera del rango especificado podría dañar la batería y aumentar el riesgo de incendio.



INFORMACIÓN DE SEGURIDAD

Reparación

- **Permita que solo una persona capacitada repare la herramienta eléctrica, mediante el uso solo de piezas de repuesto idénticas.** De esta manera, se asegurará de mantener la seguridad de la herramienta eléctrica.
- **Nunca realice mantenimiento a los paquetes de baterías.** Solo el fabricante o proveedores de servicio autorizados pueden realizar el mantenimiento de los paquetes de baterías.

ADVERTENCIAS DE SEGURIDAD DE LA CLAVADORA

- **Siempre dé por sentado que la herramienta contiene sujetadores.** El manejo descuidado de la clavadora puede provocar el disparo inesperado de los sujetadores y lesiones personales.
- **No apunte la herramienta hacia usted ni hacia nadie cercano.** Un disparo inesperado descargará el sujetador y provocará una lesión.
- **No accione la herramienta a menos que se encuentre firmemente colocada en la pieza de trabajo.** Si la herramienta no está en contacto con la pieza de trabajo, el sujetador puede desviarse de su objetivo.
- **Desconecte la herramienta de la fuente de alimentación cuando el sujetador se atasque en la herramienta.** Al retirar un sujetador atascado, la clavadora puede activarse accidentalmente si está enchufada.
- **Tenga cuidado al quitar un sujetador atascado.** El mecanismo puede estar bajo compresión y el sujetador puede descargarse con fuerza mientras se intenta liberar una condición de atasco.
- **No utilice esta clavadora para sujetar cables eléctricos.** No está diseñado para la instalación de cables eléctricos y puede dañar el aislamiento de los cables eléctricos provocando descargas eléctricas o peligro de incendio.
- **Cuando realice una operación en la que el sujetador pudiera entrar en contacto con cableados ocultos, sostenga las herramientas eléctricas por las superficies de agarre aisladas.** Es posible que los sujetadores que entran en contacto con un cable “energizado” también “energice” piezas de metal de la herramienta eléctrica y podrían provocar una descarga eléctrica al operador.

Advertencias adicionales

- **Use solamente los paquetes de baterías y los cargadores que se indican a continuación:**

PAQUETE DE BATERÍAS	CARGADOR DE BATERÍA
KB 224-03; KB 424-03; KB 524-03; KB 624-03; KXB 424-03; KXB 824-03;	KRC 2445-03; KRC 2490-03; KRC 2404-03; KDPC 124-03; KCH 2401-03; KCH 2411-03;

- **Los manuales del paquete de baterías y del cargador se proporcionan por separado. Incluyen normas de seguridad específicas e instrucciones de funcionamiento. Consulte el manual del paquete de baterías y del cargador para conocer las reglas de seguridad y las instrucciones que se detallan respecto al funcionamiento.**

PREPARACIÓN

Conozca su clavadora para armazón

Su clavadora para armazón está diseñada para los fines que se enumeran a continuación:

- Introducir clavos en piezas de madera.

Antes de comenzar a ensamblar el producto, asegúrese de tener todas las piezas. Compare las piezas con la lista del contenido del paquete y la lista de aditamentos. No intente ensamblar el producto si falta alguna pieza o si están dañadas.

Herramientas necesarias para el ensamblaje (se incluyen): llave hexagonal (M)



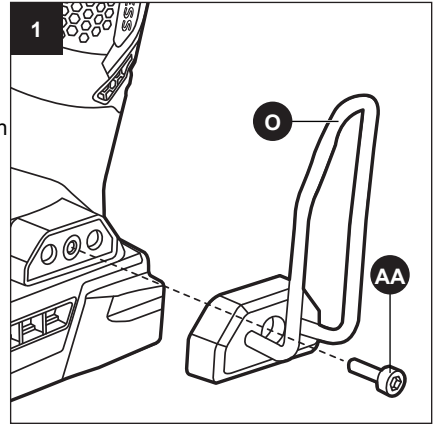
ADVERTENCIA:

- No permita que la familiaridad con la clavadora lo vuelva descuidado. Recuerde que tan solo un momento de descuido es suficiente para causar lesiones graves. Antes de intentar usar una herramienta, asegúrese de familiarizarse con todas las funciones e instrucciones de seguridad.
- No intente modificar esta herramienta ni crear accesorios que no sean los recomendados para esta. Toda alteración o modificación se considera un uso indebido y podría dar lugar a una situación peligrosa que resulte en lesiones graves.

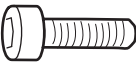
INSTRUCCIONES DE ENSAMBLAJE

1. Instalación y extracción del gancho para cinturón

- Retire el paquete de baterías de la herramienta.
- Alinee los dos pasadores del gancho para cinturón (O) con los orificios en la base de la clavadora.
- Inserte el tornillo (AA) y apriételo firmemente con la llave hexagonal suministrada (M).
- Para retirar el gancho para cinturón (O), use la llave hexagonal suministrada (M) para aflojar el tornillo y retirar el gancho para cinturón.
- Después de su uso, devuelva la llave hexagonal (M) a su área de almacenamiento como se muestra.



ADITAMENTOS UTILIZADOS

- AA** Tornillo M4 x 14 mm x 1  x1

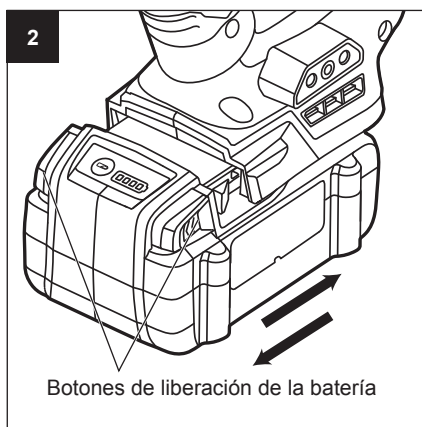
INSTRUCCIONES DE FUNCIONAMIENTO

2. Para colocar el paquete de baterías

- Alinee la parte elevada del paquete de baterías con las ranuras de la base de la herramienta y luego, deslice el paquete de baterías hacia dentro de la herramienta, como se muestra.
- Antes de comenzar la operación, asegúrese de que el pestillo del paquete de baterías encaje en su lugar y que el paquete de baterías quede fijo en la herramienta.

AVISO:

- Cuando coloque el paquete de baterías en la herramienta, asegúrese de que la varilla elevada del paquete de baterías quede alineada con la ranura de la herramienta y de que los pestillos encajen en su lugar adecuadamente. El ensamble inadecuado del paquete de baterías puede provocar daños en los componentes internos.



Para retirar el paquete de baterías, realice los siguientes pasos

- Presione los botones de extracción de la batería para retirar el paquete de baterías.
- Jale el paquete de baterías hacia atrás para retirarlo de la herramienta.



ADVERTENCIA:

- Las herramientas con batería siempre están en condiciones de funcionamiento. Por lo tanto, no olvide retirar el paquete de baterías cuando no use la herramienta o cuando la lleve junto a usted.

3. Almohadilla antimarcas



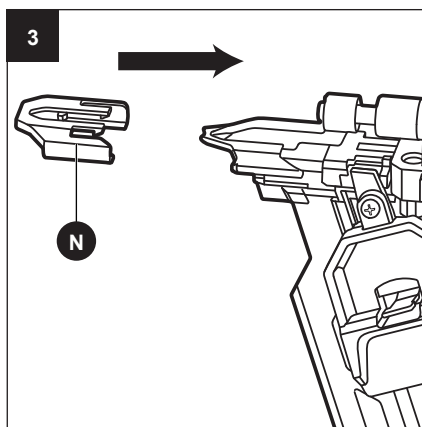
ADVERTENCIA

- **Retire el paquete de baterías de la herramienta antes de quitar o reemplazar la almohadilla antimarcas.** Si no lo hace, podría sufrir lesiones personales graves.

La almohadilla antimarcas (N) unida al contacto con la pieza de trabajo de la herramienta ayuda a evitar dañar y abollar la superficie de trabajo cuando se usan maderas más blandas.

Se proporciona una almohadilla antimarcas. Para fijar la almohadilla antimarcas, colóquela sobre el contacto con la pieza de trabajo y presione hacia arriba en la parte posterior para volver a fijarla.

Puede retirar la almohadilla antimarcas, jálela hacia abajo desde el contacto con la pieza de trabajo.



INSTRUCCIONES DE FUNCIONAMIENTO

4. Para cargar o retirar clavos

⚠ ADVERTENCIA

- Mantenga la herramienta apuntando lejos de usted y de otras personas cuando cargue clavos. No hacerlo podría provocar lesiones personales graves.
- Utilice solo los clavos recomendados para su uso con esta herramienta. El uso de otros clavos puede producir un funcionamiento incorrecto de la herramienta o provocar lesiones graves.

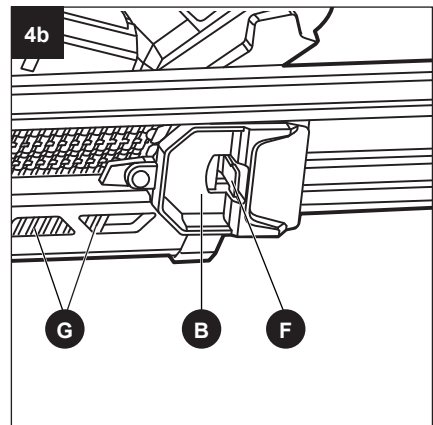
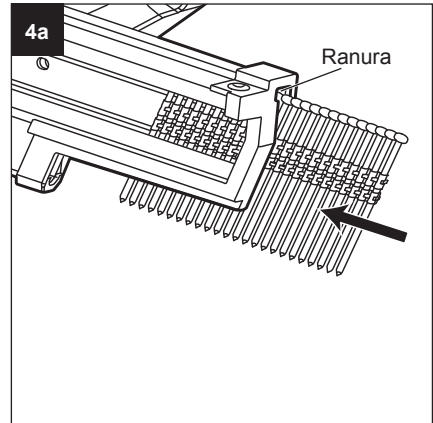
Para cargar clavos

- a. Extraiga el paquete de baterías de la herramienta.
- b. Con la punta de la herramienta apuntando en dirección opuesta a usted u otra persona, inserte los clavos (no se incluye) en la ranura al final del cargador (H) y empújelos hacia adelante.
- c. Mantenga presionada la palanca de liberación del empujador (F) y deslice el empujador del cargador (B) hacia atrás más allá del final de los clavos.
- d. Continúe sosteniendo el empujador del cargador (B), pero suelte la palanca de liberación del empujador (F). Deslice lentamente el empujador hacia adelante hasta que se apoye contra los clavos.

NOTA: puede observar la cantidad de clavos restantes a través de la ventana indicadora de clavos (G) y cargar más clavos según sea necesario.

Para retirar clavos

- a. Extraiga el paquete de baterías de la herramienta.
- b. Mantenga presionada la palanca de liberación del empujador (F) y deslice lentamente el empujador del cargador (B) hacia el frente del cargador.
- c. Suelte la palanca y retire los clavos.



INSTRUCCIONES DE FUNCIONAMIENTO

5. Ajuste de profundidad de colocación

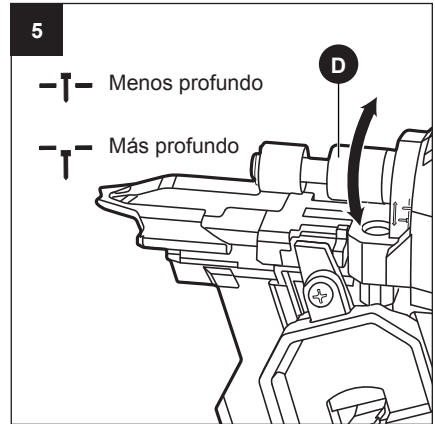
⚠ ADVERTENCIA:

- Siempre apunte la clavadora lejos de usted y de los demás cuando realice ajustes. El incumplimiento de dicho paso podría provocar lesiones graves.

Es recomendable que haga una prueba de la profundidad de colocación en una pieza de trabajo de desecho para determinar la profundidad requerida para la aplicación.

Los materiales más duros requerirán más fuerza para colocar el clavo.

- a. Extraiga el paquete de baterías de la herramienta.
- b. Gire el selector de profundidad (D) para ajustar la profundidad como lo indica la flecha de profundidad.
- c. Vuelva a colocar el paquete de baterías y reinicie la herramienta.
- d. Coloque un clavo de prueba después de cada ajuste hasta lograr la profundidad deseada.



6. Gancho para viga

El gancho para viga (L) viene instalado de fábrica en la clavadora para armazón.

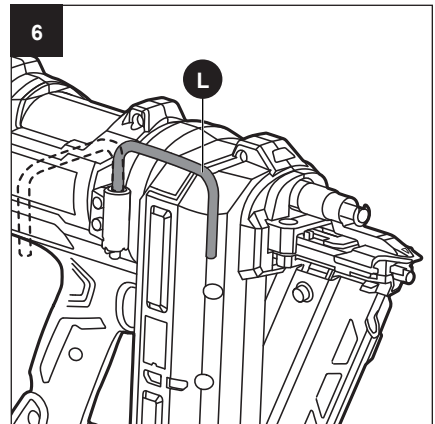
Utilice el gancho para viga (L) para colgar la clavadora de una viga u otra estructura segura similar para almacenamiento temporal durante las pausas en el trabajo.

Tamaño de madera recomendado para sostener la clavadora con el gancho: 2 x 4.

Para usarlo, gire el gancho de la viga (L) hasta que encaje en la posición abierta. Cuando no esté en uso, siempre gire el gancho para viga hacia atrás hasta que encaje en la posición cerrada.

⚠ ADVERTENCIA

- **Para reducir el riesgo de lesiones si la clavadora para armazón cae sobre operadores o transeúntes, nunca cuelgue la herramienta con el gancho para viga en un lugar alto o en una superficie potencialmente inestable y asegúrese de que esté apoyada de forma segura.** Asegúrese de mantener despejada el área de abajo para reducir el riesgo de que la herramienta caiga y golpee a alguien o algo que se encuentre debajo.
- **Asegúrese de que el gancho para viga esté correctamente asegurado a la herramienta con dos tornillos.** No utilice ganchos ni tornillos dañados. Antes de su uso, compruebe siempre si hay daños, grietas o deformidades y asegúrese de que los tornillos estén apretados. Utilice la llave hexagonal suministrada para apretar los tornillos si es necesario.



INSTRUCCIONES DE FUNCIONAMIENTO

7. Colocación de clavos

⚠ ADVERTENCIA

- **Nunca calce o retenga el mecanismo de contacto de la pieza durante el funcionamiento de la herramienta.** El incumplimiento de dicho paso podría causar lesiones personales graves.

NOTA: si no se realiza ninguna otra acción después de presionar el interruptor de encendido (J), la clavadora se apagará automáticamente después de 30 minutos.

Modo de actuación secuencial única:

La acción secuencial simple brinda la ubicación de clavos más precisa.

- a. Asegúrese de que la pieza de trabajo esté asegurada antes de realizar cualquier operación.
- b. Coloque el paquete de baterías y active la herramienta presionando el interruptor de encendido (J).
- c. Presione brevemente el botón de modo (K) para seleccionar el modo de actuación secuencial única "T".
- d. Agarre la herramienta firmemente para mantener el control. Coloque la punta de la herramienta sobre la superficie de trabajo.
- e. Empuje la herramienta contra la superficie de trabajo para presionar el contacto de la pieza (E). Luego, apriete interruptor tipo gatillo (A) para colocar un clavo.
- f. Suelte el interruptor tipo gatillo (A) y levante la punta de la pieza de trabajo para completar la acción de clavado.
- g. Repita los pasos 'd' a 'f' para colocar más clavos.

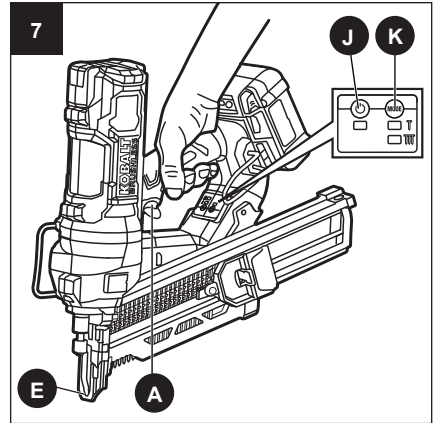
NOTA:

- Mantenga apretado el gatillo hasta que se complete el trabajo de clavado.
- Si no hay más acción durante más de 10 segundos después de presionar el contacto con la pieza de trabajo (E) sin soltarlo, el disparo se bloqueará a menos que el usuario suelte tanto el contacto de la pieza de trabajo (E) como el interruptor tipo gatillo (A) y reinicie la operación (paso "e").

Modo de activación por contacto:

La activación por contacto permite una rápida colocación repetitiva de clavos.

- a. Asegúrese de que la pieza de trabajo esté asegurada antes de realizar cualquier operación.
- b. Coloque el paquete de baterías y active la herramienta presionando el interruptor de encendido (J).
- c. Presione brevemente el botón de modo (K) para seleccionar el modo de activación por contacto "III".
- d. Agarre la herramienta firmemente para mantener el control.
- e. Mantenga presionado el interruptor tipo gatillo (A).
- f. Empuje la herramienta contra la superficie de trabajo para presionar el contacto de la pieza de trabajo (E) y colocar un clavo.
- g. Mantenga el gatillo apretado, reubique la herramienta en el siguiente punto de clavado y empuje la herramienta contra la pieza de trabajo para colocar otro clavo.
- h. Suelte el interruptor tipo gatillo (A) cuando termine.



INSTRUCCIONES DE FUNCIONAMIENTO

NOTA:

- El modo de actuación por contacto aún conserva la lógica del modo de actuación secuencial única. Esto significa que la herramienta también se puede operar presionando el contacto de la pieza de trabajo (E) contra la superficie y presionando el interruptor tipo gatillo (A).
- Si no hay más acción durante más de 10 segundos después de presionar el contacto con la pieza de trabajo (E) o el interruptor tipo gatillo (A) sin soltarlo, el disparo se bloqueará a menos que el usuario suelte tanto el contacto de la pieza de trabajo (E) como el interruptor tipo gatillo (A) y reinicie la operación (paso "e").

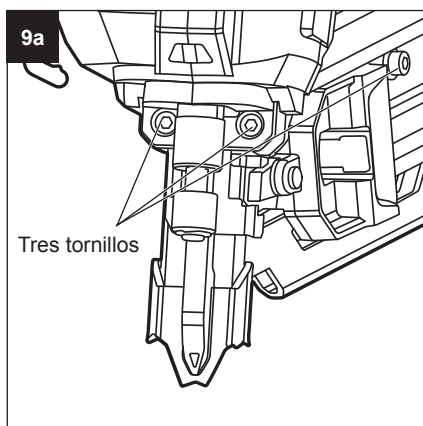
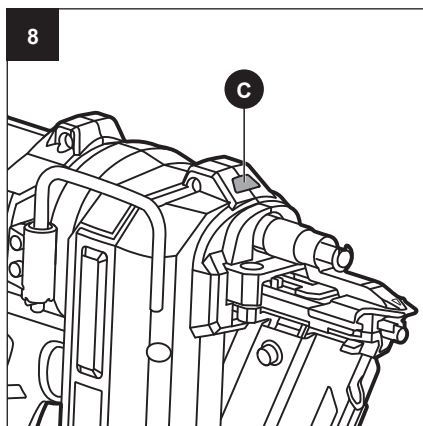
NOTA:

- Cuando al cargador le queden entre 0 y 7 clavos, la función de bloqueo de fuego seco no permitirá continuar la operación. Para reactivar el funcionamiento, vuelva a cargar la herramienta con clavos.
- Para obtener el mejor rendimiento, utilice la clavadora en el rango de temperaturas recomendado. Las bajas temperaturas pueden disminuir el rendimiento.

8. Luz de trabajo LED

La luz de trabajo LED (C), ubicada en el frente de la herramienta, se iluminará cuando presione el interruptor tipo gatillo (A) o el contacto con la pieza de trabajo (E). Esto proporciona una iluminación adicional de la superficie de la pieza de trabajo.

La luz de trabajo LED se apagará aproximadamente 10 segundos después de que se suelten tanto el interruptor tipo gatillo (A) como el contacto de la pieza de trabajo (E).



INSTRUCCIONES DE FUNCIONAMIENTO

9. Extracción de un clavo atascado

Cuando hay un clavo atascado en la herramienta, se debe retirar antes de seguir utilizándola. De lo contrario, el mecanismo de accionamiento podría resultar dañado.

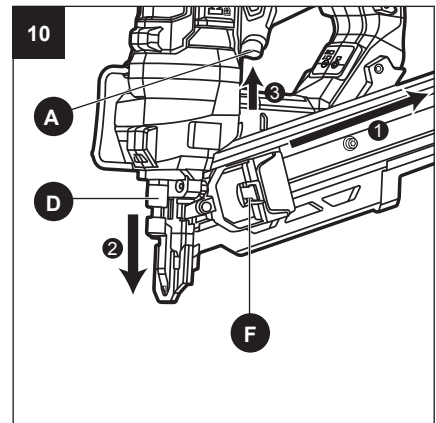
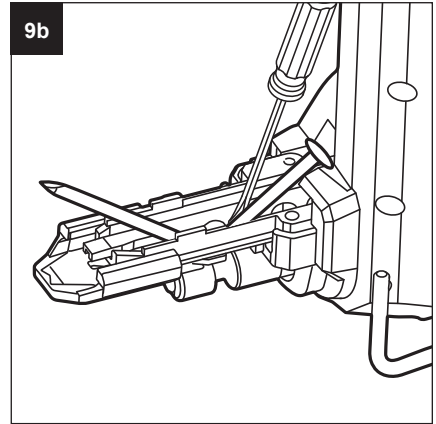
- Retire el paquete de baterías.
- Retire los clavos del cargador (H).
- Utilice la llave hexagonal suministrada (M) para quitar los tres tornillos.
- Retire el cargador.
- Retire el clavo atascado con un destornillador de cabeza plana o pinzas si es necesario.
- Vuelva a colocar el cargador y asegúrelo al apretar los tres tornillos con la llave hexagonal suministrada (M). Después de su uso, devuelva la llave hexagonal (M) a su área de almacenamiento como se muestra en la Fig. 1.
- Vuelva a cargar los clavos.
- Vuelva a fijar el paquete de baterías y reinicie la herramienta al mantener presionado el interruptor de encendido (J) .

NOTA:

- Si clava los clavos demasiado profundamente en el material, el exceso de escombros o los clavos atascados puede hacer que un percutor se atasque en su posición inferior. Por lo general, el percutor puede volver a su posición de funcionamiento presionando el elemento de contacto de trabajo contra un trozo de madera y apretando el gatillo. Consulte el capítulo **"RETRACCIÓN DE UN PERCUTOR CAÍDO"** más adelante en este manual.

10. RETRACCIÓN DE UN PERCUTOR CAÍDO



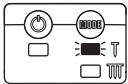
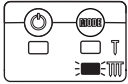
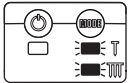
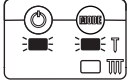
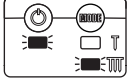
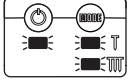
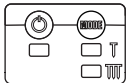
- Retire el paquete de baterías y retire todos los clavos.
- Ajuste el selector de profundidad (D) completamente hasta la profundidad mínima.
- Vuelva a colocar el paquete de baterías y presione el interruptor de encendido (J).
- Jale hacia atrás el empujador del cargador (B) y manténgalo en esa posición.
- Presione el contacto con la pieza de trabajo (E) contra una pieza de trabajo.
- Apriete el interruptor tipo gatillo (A).
- El percutor se retraerá.
- Vuelva a cargar los clavos.




INSTRUCCIONES DE FUNCIONAMIENTO

11. Luces de diagnóstico


Las luces LED debajo del interruptor de encendido (J) y debajo del botón de modo (K) también brindan información para indicar problemas con la herramienta o el paquete de baterías. Consulte la tabla siguiente para interpretar el mensaje detrás de las luces LED parpadeantes y las posibles soluciones.

Luces LED indicadoras  – luz apagada  – luz parpadeante	PROBLEMA	SOLUCIÓN
	El motor se detiene y la herramienta no funciona. Los posibles problemas son: - Clavo atascado - Otro fallo mecánico	- Quite el clavo atascado y reinicie la herramienta. - O póngase en contacto con el Servicio al Cliente para obtener reparaciones.
	La temperatura de los componentes electrónicos es demasiado alta después del funcionamiento continuo.	Deje que la herramienta se enfríe.
	Fallo de conexión, que incluye: - Mala conexión entre el paquete de baterías y la herramienta. - Otro fallo de conexión eléctrica.	- Retire y vuelva a colocar el paquete de baterías, luego reinicie la herramienta. - O póngase en contacto con el Servicio al Cliente para obtener reparaciones.
	Fallo de componentes electrónicos.	Póngase en contacto con el Servicio al Cliente para obtener reparaciones.
	Fallo de componentes electrónicos.	- Reinicie la herramienta. - O póngase en contacto con el Servicio al Cliente para obtener reparaciones.
	Fallo de componentes electrónicos.	Póngase en contacto con el Servicio al Cliente para obtener reparaciones.
	La herramienta no funciona. Los posibles problemas son (consulte el manual de instrucciones del paquete de baterías). - El paquete de baterías está demasiado caliente. - El nivel de batería está demasiado bajo.	- Deje que la batería se enfríe o utilice otra batería. - Cargue la batería o utilice una batería completamente cargada diferente. - Consulte las instrucciones incluidas con su paquete de baterías y/o cargador.

CUIDADO Y MANTENIMIENTO

 **ADVERTENCIA:** el mantenimiento debe estar a cargo únicamente de un técnico de servicio calificado.

Limpieza

 **ADVERTENCIA:** antes de limpiar o realizar cualquier mantenimiento, retire el paquete de baterías de la herramienta. A fin de propiciar un uso seguro y adecuado, siempre mantenga la herramienta y sus ranuras de ventilación despejadas.

Siempre use solamente un paño suave y seco para limpiar la llave de percusión; nunca use detergente ni alcohol.

SOLUCIÓN DE PROBLEMAS

ADVERTENCIA:

- Apague la herramienta. Retire el paquete de baterías de la herramienta antes de realizar los procedimientos de solución de problemas.

PROBLEMA	CAUSA POSIBLE	ACCIÓN CORRECTIVA
La herramienta no se puede activar.	<ol style="list-style-type: none"> 1. La carga del paquete de baterías está agotada. 2. El paquete de baterías no está instalado correctamente. 3. La herramienta está demasiado caliente. 4. La herramienta tiene demasiada carga. 	<ol style="list-style-type: none"> 1. Cargue el paquete de baterías. 2. Deslice el paquete de baterías en la herramienta hasta que encaje en su posición. 3. Espere hasta que la herramienta vuelva a la temperatura de funcionamiento recomendada y luego reiníciela. 4. Compruebe si los clavos están atascados, provocando una sobrecarga del motor.
La herramienta no se puede activar y la luz de trabajo LED está encendida.	Quedan muy pocos clavos en el cargador.	Cargue más clavos en el cargador.
La herramienta funciona correctamente, pero los clavos no se clavan completamente en la pieza de trabajo.	<ol style="list-style-type: none"> 1. La profundidad de la unidad no es lo suficientemente profunda. 2. El clavo es demasiado largo para la dureza de la madera. 3. La presión de aire es demasiado baja. 	<ol style="list-style-type: none"> 1. Ajuste la profundidad de accionamiento. 2. Utilice los clavos adecuados para el tipo de pieza de trabajo. 3. Póngase en contacto con el Servicio al Cliente para obtener reparaciones.
La herramienta se trava frecuentemente.	<ol style="list-style-type: none"> 1. Clavos incorrectos. 2. Clavos dañados. 3. Cargador sucio. 	<ol style="list-style-type: none"> 1. Verifique que los clavos sean del tamaño adecuado. 2. Reemplace los clavos. 3. Limpie el cargador.
La herramienta no funciona correctamente: no salen clavos o la velocidad ha disminuido considerablemente.	Esto podría deberse a temperaturas excesivamente bajas.	Utilice la clavadora dentro del rango de temperaturas recomendado o caliente tanto la clavadora como el paquete de baterías antes de utilizarla.

GARANTÍA

Desde la fecha de compra, la herramienta eléctrica posee una garantía de 5 años, y la batería y el cargador, una garantía de 3 años. Esta garantía se extiende al comprador original para asegurar que los productos están libres de defectos en los materiales y la mano de obra. La presente garantía no cubre daños que hayan sido producto de mal uso, desgaste normal, mantenimiento inadecuado, negligencia, reparaciones o alteraciones no autorizadas o piezas y accesorios prescindibles que se espera que resulten inutilizables después de un período de uso razonable. Asimismo, tiene una vigencia limitada de 90 días para uso comercial y de alquiler. Si considera que el producto cumple con los términos de garantía mencionados arriba, devuélvalo al lugar donde lo compró con un comprobante de compra válido y el producto defectuoso se reparará o reemplazará sin cargo. Si bien esta garantía le otorga derechos legales específicos, es posible que también tenga otros derechos que varían según el estado en el que se encuentre.

Si tiene preguntas relacionadas con el producto, llame al departamento de Servicio al Cliente al **888-3KOBALT (888-356-2258)**, de lunes a domingo de 8 a.m. a 8 p.m., hora estándar del Este. También puede ponerse en contacto con nosotros a través de **ascs@lowes.com**.

