

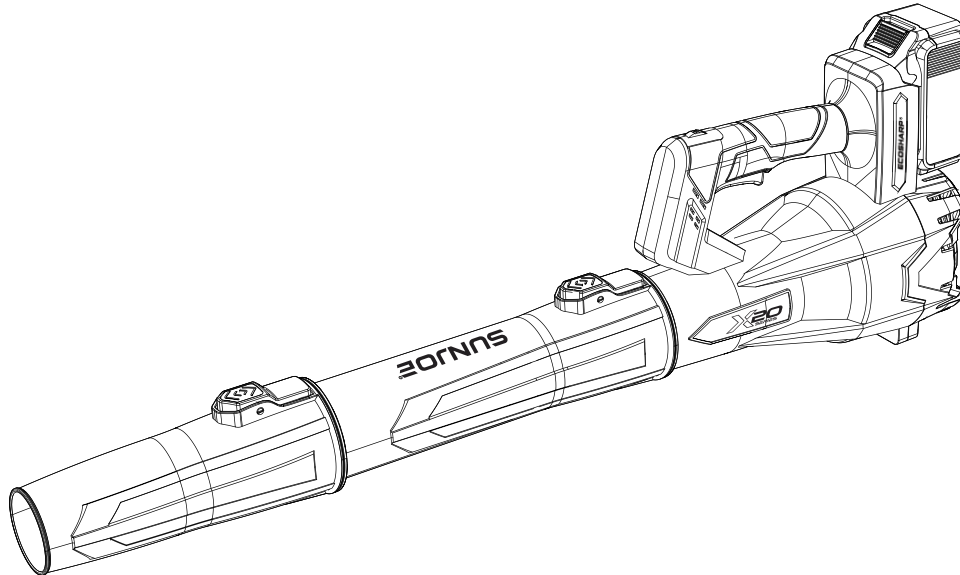


CORDLESS COMPACT LEAF BLOWER

20V* MAX | 4.0 Ah

Model X20-BLOWER-4A

Form No. ASP-X20-BLOWER-4A-880E-M (FH)



THANK YOU FOR YOUR PURCHASE!

SCAN
REGISTER
ONLINE TODAY



- ✓ ACTIVATE YOUR **1 YEAR WARRANTY**
- ✓ RECEIVE **90 DAYS BONUS COVERAGE**
- ✓ VISIT **SHOPJOE.COM/REGISTER**

Failure to register your product purchase will not diminish your warranty rights. For more information visit shopjoe.com



UPGRADE YOUR COVERAGE
AT SHOPJOE.COM/REGISTER
FOR UP TO 2, 3, OR 4 YEARS OF TOTAL TOOL COVERAGE

When we say we stand behind our product, we mean it! Now you can blow, mow, cut, saw or tend to any other yard task with confidence, knowing that if there is a problem with your tool within the warranty period, we will gladly solve it.

Place UPC sticker here

HAS YOUR SNOW JOE EXPERIENCE LEFT YOU SMILING? 😊

TELL YOUR FRIENDS AND TAG US!

We love to hear your feedback! Share your experience by writing comments and reviews on shopjoe.com, or connect with us on social media!



@SNOWJOECO

#GOWITHJOE

OR HAS SOMETHING LEFT YOU LESS THAN SATISFIED? 😞

WE'RE SORRY ABOUT THAT!

Our friendly customer service team is ready to help you with any issues you may have.



CALL US

1-866-225-9723



For fastest response

CHAT WITH US

SHOPJOE.COM/CHAT

Original instructions.

© 2026 All Season Power LLC.

Snow Joe®, Sun Joe®, Aqua Joe®, Auto Joe®, and Power Joe® are registered trademarks used under license from Weather Brands LLC. New Castle, DE 19720

***DISCLAIMER:** Initial no-load voltage, when fully charged, peaks at 20V; nominal voltage under typical load is 18V.

SAVE THESE INSTRUCTIONS



CORDLESS COMPACT LEAF BLOWER

20V* MAX | 4.0 Ah

Model X20-BLOWER-4A

Form No. ASP-X20-BLOWER-4A-880E-M (FH)

IMPORTANT! Safety Instructions

All Operators Must Read These Instructions Before Use

Read all the instructions contained in this manual. Keep this manual in a safe place, so that the information is available at all times. If you give the equipment to another person, make sure to provide these operating instructions. Basic safety precautions should always be followed to reduce the risk of fire, electric shock, and personal injury.

⚠ DANGER! This indicates a hazardous situation, which, if not followed, will result in serious injury or death.

⚠ WARNING! This indicates a hazardous situation, which, if not followed, could result in serious injury or death.

⚠ CAUTION! This indicates a hazardous situation, which, if not followed, could result in minor or moderate injury.

Improper use of the machine will invalidate the warranty, relieve the manufacturer from all liabilities. The user will consequently be liable for all and any damage or injury to himself/herself or others.

General machine safety warnings

⚠ WARNING! Read all safety warnings, instructions, illustrations and specifications provided with this machine. Failure to follow all instructions listed below may result in electric shock, fire and/or serious injury. Save all warnings and instructions for future reference.

1. Work area safety

- Keep work area clean and well lit. Cluttered or dark areas invite accidents.
- Do not operate machines in explosive atmospheres, such as in the presence of flammable liquids, gases or dust. Machines create sparks which may ignite the dust or fumes.
- Keep children and bystanders away while operating a machine. Distractions can cause you to lose control.

2. Electrical safety

- Machine plugs must match the outlet. Never modify the plug in any way. Do not use any adapter plugs with earthed (grounded) machines. Unmodified plugs and matching outlets will reduce risk of electric shock.

- Avoid body contact with earthed or grounded surfaces, such as pipes, radiators, ranges and refrigerators. There is an increased risk of electric shock if your body is earthed or grounded.
- Do not expose machines to rain or wet conditions. Water entering a machine will increase the risk of electric shock.
- Do not abuse the cord. Never use the cord for carrying, pulling or unplugging the machine. Keep cord away from heat, oil, sharp edges or moving parts. Damaged or entangled cords increase the risk of electric shock.
- When operating a machine outdoors, use an extension cord suitable for outdoor use. Use of a cord suitable for outdoor use reduces the risk of electric shock.
- If operating a machine in a damp location is unavoidable, use a RESIDUAL CURRENT DEVICE (RCD) protected supply. Use of an RCD reduces the risk of electric shock.

3. Personal safety

- Stay alert, watch what you are doing and use common sense when operating a machine. Do not use a machine while you are tired or under the influence of drugs, alcohol or medication. A moment of inattention while operating machines may result in serious personal injury.
- Use personal protective equipment. Always wear eye protection. Protective equipment such as a dust mask, non-skid safety shoes, hard hat or hearing protection used for appropriate conditions will reduce personal injuries.
- Prevent unintentional starting. Ensure the switch is in the off position before connecting to power source and/or BATTERY pack, picking up or carrying the tool. Carrying machines with your finger on the switch or energising machines that have the switch on invites accidents.
- Remove any adjusting key or wrench before turning the machine on. A wrench or a key left attached to a rotating part of the machine may result in personal injury.
- Do not overreach. Keep proper footing and balance at all times. This enables better control of the machine in unexpected situations.
- Dress properly. Do not wear loose clothing or jewellery. Keep your hair and clothing away from moving parts. Loose clothes, jewellery or long hair can be caught in moving parts.
- If devices are provided for the connection of dust extraction and collection facilities, ensure these are connected and properly used. Use of dust collection can reduce dust-related hazards.

SAVE THESE INSTRUCTIONS

- h) Do not let familiarity gained from frequent use of tools allow you to become complacent and ignore tool safety principles. A careless action can cause severe injury within a fraction of a second.

4. Machine use and care

- a) Do not force the machine. Use the correct machine for your application. The correct machine will do the job better and safer at the rate for which it was designed.
- b) Do not use the machine if the switch does not turn it on and off. Any machine that cannot be controlled with the switch is dangerous and must be repaired.
- c) Disconnect the plug from the power source and/or remove the BATTERY pack, if detachable, from the machine before making any adjustments, changing accessories, or storing machines. Such preventive safety measures reduce the risk of starting the machine accidentally.
- d) Store idle machines out of the reach of children and do not allow persons unfamiliar with the machine or these instructions to operate the machine. Machines are dangerous in the hands of untrained users.
- e) Maintain machines and accessories. Check for misalignment or binding of moving parts, breakage of parts and any other condition that may affect the machine's operation. If damaged, have the machine repaired before use. Many accidents are caused by poorly maintained machines.
- f) Keep cutting tools sharp and clean. Properly maintained cutting tools with sharp cutting edges are less likely to bind and are easier to control.
- g) Use the machine, accessories and tool bits etc. in accordance with these instructions, taking into account the working conditions and the work to be performed. Use of the machine for operations different from those intended could result in a hazardous situation.
- h) Keep handles and grasping surfaces dry, clean and free from oil and grease. Slippery handles and grasping surfaces do not allow for safe handling and control of the tool in unexpected situations.

5. BATTERY tool use and care

- a) Recharge only with the charger specified by the manufacturer. A charger that is suitable for one type of BATTERY pack may create a risk of fire when used with another BATTERY pack.
- b) Use machine only with specifically designated BATTERY packs. Use of any other BATTERY packs may create a risk of injury and fire.
- c) When BATTERY pack is not in use, keep it away from other metal objects, like paper clips, coins, keys, nails, screws or other small metal objects, that can make a connection from one terminal to another. Shorting the BATTERY terminals together may cause burns or a fire.
- d) Under abusive conditions, liquid may be ejected from the BATTERY; avoid contact. If contact accidentally occurs, flush with water. If liquid contacts eyes, additionally seek medical help. Liquid ejected from the BATTERY may cause irritation or burns.

- e) Do not use a BATTERY pack or tool that is damaged or modified. Damaged or modified batteries may exhibit unpredictable behaviour resulting in fire, EXPLOSION or risk of injury.
- f) Do not expose a BATTERY pack or tool to fire or excessive temperature. Exposure to fire or temperature above 130 °C may cause explosion.
- g) Follow all charging instructions and do not charge the BATTERY pack or tool outside the temperature range specified in the instructions. Charging improperly or at temperatures outside the specified range may damage the BATTERY and increase the risk of fire.

6. Service

- a) Have your machine serviced by a qualified repair person using only identical replacement parts. This will ensure that the safety of the machine is maintained.
- b) Never service damaged BATTERY packs. Service of BATTERY packs should only be performed by the manufacturer or authorized service providers.

Garden blower safety warnings

- a) Do not use the machine in bad weather conditions, especially when there is a risk of lightning. This decreases the risk of being struck by lightning.
- b) Wear eye protection and ear protection. Adequate protective equipment will reduce the risk of personal injury.
- c) While operating the machine, always wear non-slip and protective footwear. Do not operate the machine when barefoot or wearing open sandals. This reduces the risk of injury to the feet.
- d) Do not wear loose fitting clothing or articles such as scarves, strings, chains, ties, etc., that could get drawn into the air inlets. Tie back or cover long hair to make sure it does not get drawn into the air inlets. If any of these items are drawn into the air inlets, it can increase the risk of personal injury.
- e) Keep bystanders away while operating the machine. Thrown debris can increase the risk of personal injury.
- f) Never point the blower nozzle in the direction of people or pets or in the direction of windows. Use extra caution when blowing debris near solid objects, such as trees, automobiles and walls that can cause debris to ricochet. Thrown objects can damage property and increase the risk of personal injury.
- g) Do not use the machine to pick up or blow anything that is burning or smoking, such as cigarettes, matches or hot ashes. These ignition sources may increase the risk of fire.
- h) Do not touch the fan while still in motion. Turn off the machine, wait until the fan stops and unplug the machine, before removing any part that may give access to the fan. This reduces the risk of injury from moving parts.
- i) When clearing jammed material or servicing the machine, make sure the power switch is off and the power cord is disconnected. Unexpected actuation of the machine while clearing jammed material or servicing may increase the risk of personal injury.

- j) Machine is intended to be used by the operator at ground level and not on ladders or any unstable support.
- k) Inspect machine for damage if there appears to be excessive vibration.





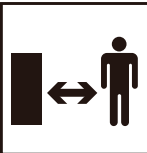

GENERAL SAFETY WARNINGS FOR BATTERY PACK

- a) Do not dismantle, open or shred battery pack.
- b) Do not expose battery pack to heat or fire. Avoid storage in direct sunlight.
- c) Do not short-circuit a battery pack. Do not store battery packs haphazardly in a box or drawer where they may short-circuit each other or be short-circuited by other metal objects. When battery pack is not in use, keep it away from other metal objects, like paper clips, coins, keys, nails, screws or other small metal objects, that can make a connection from one terminal to another. Shorting the battery terminals together may cause burns or fire.
- d) Do not remove battery pack from its original packaging until required for use.
- e) Do not subject battery pack to mechanical shock.
- f) In the event of battery leaking, do not allow the liquid to come in contact with the skin or eyes. If contact has been made, wash the affected area with copious amounts of water and seek medical advice.
- g) Observe the plus (+) and minus (-) marks on the battery back and equipment and ensure correct use.
- h) Do not use any battery pack which is not designed for use with the equipment.
- i) Keep battery pack out of the reach of children.
- j) Seek medical advice immediately if a cell or battery has been swallowed.
- k) Always purchase the battery pack recommended by the device manufacturer for the equipment.
- l) Keep battery pack clean and dry.
- m) Wipe the battery pack terminals with a clean dry cloth if they become dirty.
- n) Battery pack needs to be charged before use. Always use the correct charger and refer to the manufacturer's instructions or equipment manual for proper charging instructions.
- o) Do not leave battery pack on prolonged charge when not in use.
- p) After extended periods of storage, it may be necessary to charge and discharge the battery pack several times to obtain maximum performance.
- q) Battery pack gives its best performance when it is operated at normal room temperature (20 °C ± 5 °C).
- r) When disposing of battery packs, keep battery packs of different electrochemical systems separate from each other.

- s) Recharge only with the charger specified by the manufacturer. Do not use any charger other than that specifically provided for use with the equipment. A charger that is suitable for one type of battery pack may create a risk of fire when used with another battery pack.
- t) Retain the original product literature for future reference.
- u) Use only the battery pack in the application for which it was intended.
- v) Remove the battery pack from the equipment when not in use.
- w) Dispose of properly.

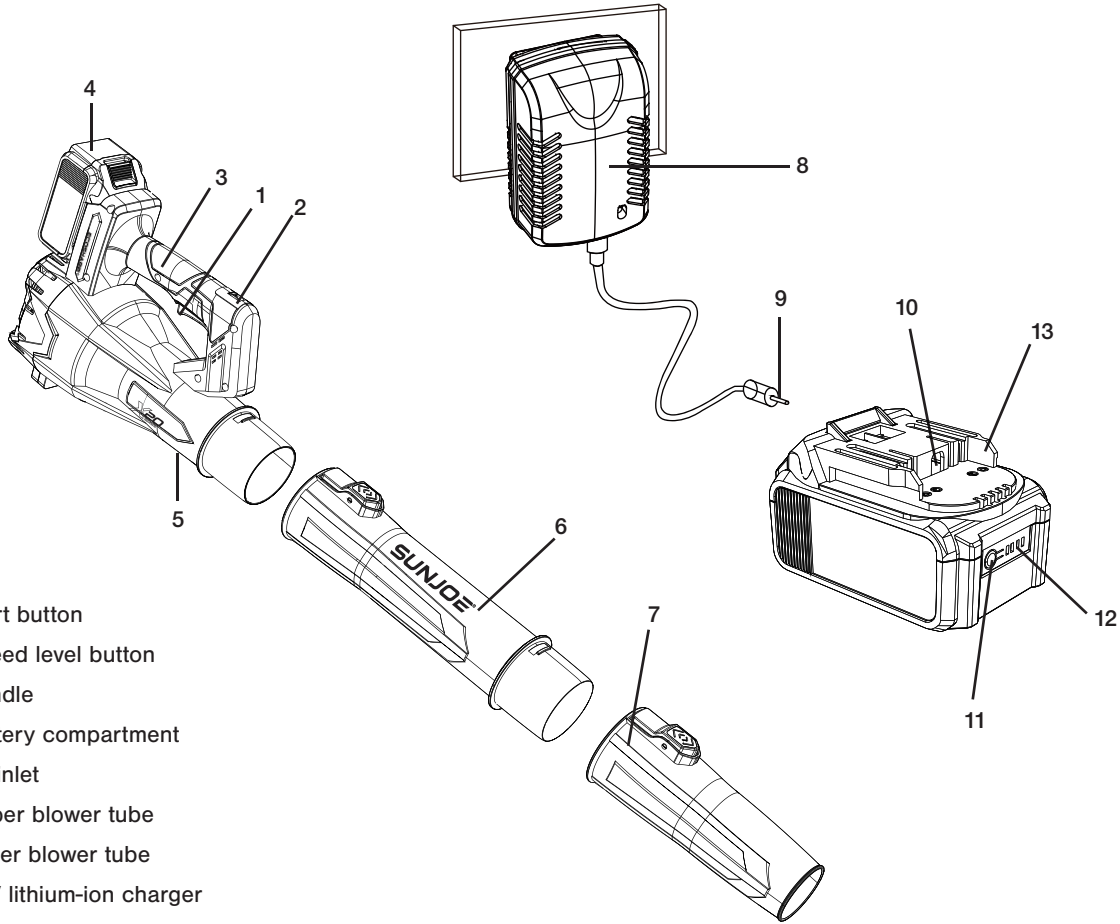
Safety Symbols

The following table depicts and describes safety symbols that may appear on this product. Read, understand and follow all instructions on the machine before attempting to assemble and operate.

Symbols	Descriptions
	SAFETY ALERT – Indicates a precaution, a warning, or a danger.
	READ THE OPERATOR'S MANUAL(S) – Read, understand, and follow all instructions in the user manual(s) before attempting to assemble and operate.
	WARNING! – Do not expose the unit to rain or wet conditions. Keep dry.
	Wear eye and ear protection.
	Keep bystanders a safe distance away from the work area.
	WARNING! Disconnect battery before maintenance.

Know Your Cordless Turbine Jet Blower

Read the owner's manual and safety instructions carefully before operating the cordless turbine jet blower. Compare the illustration below to the cordless turbine jet blower in order to familiarize yourself with the location of the various controls and adjustments. Save this manual for future reference.



- 1. Start button
- 2. Speed level button
- 3. Handle
- 4. Battery compartment
- 5. Air inlet
- 6. Upper blower tube
- 7. Lower blower tube
- 8. 20V lithium-ion charger
- 9. Charger plug
- 10. Charge socket
- 11. Press button for battery indicator
- 12. Battery indicators
- 13. 20V iON+ lithium-ion battery

Technical Data

Motor775 W Brushed
 Battery Voltage Max*20V D.C.
 Battery Capacity4.0 Ah
 Charger Input120v-60hz 75w

Charger Output20V DC 0.75A
 Charge Time Max5-6 hours
 Air Flow Max.....400 cfm
 Machine Net Weight (with tube)4.189 lbs (1.9 kg)

* **DISCLAIMER:** Initial no-load voltage, when fully charged, peaks at 20V; nominal voltage under typical load is 18V.



Unpacking

Carton Contents

- Cordless turbine jet blower body
- Upper blower tube
- Lower blower tube
- 20V* ESCOSHARP® lithium-ion battery
- 20V* ESCOSHARP® lithium-ion charger
- Manual

1. Carefully remove the cordless turbine jet blower and check to see that all of the above items are supplied.
2. Inspect the product carefully to make sure no breakage or damage occurred during shipping. If you find damaged or missing parts, DO NOT return the unit to the store. Please call the All Season Power customer service center at 1-866-225-9723.

NOTE: Do not discard the shipping carton and packaging material until you are ready to use the cordless turbine jet blower. Properly dispose of these materials in accordance with local regulations.

IMPORTANT! The equipment and packaging material are not toys. Do not let children play with plastic bags, foils or small parts. These items can be swallowed and pose a suffocation risk!

Battery Pack Operation

The equipment is powered by a lithium-ion battery. The battery pack is completely sealed and maintenance free.

Battery Charge Level Indicator

The battery pack is equipped with a push button for checking the charge level. Simply press the push button to read off the battery charge level from the LEDs of the battery indicator:

- All 3 level monitoring LEDs are lit: Battery charge level is high.
- 2 level monitoring LEDs are lit: Battery charge level is decreasing. Stop work as soon as possible.

1 level monitoring LED is lit: Battery is low. Stop work IMMEDIATELY and charge the battery. Otherwise the battery's service life will be greatly shortened.

Lights	Light Indicators
○	Charge level button
●	The battery is at 30% capacity and requires charging
●●	The battery is at 60% capacity and requires charging soon
●●●●	The battery is at full capacity

NOTE: Immediately after using the battery pack, the charge level button may display a lower charge than it will if checked a few minutes later. The battery cells "recover" some of their charge after resting.

Charger Operation

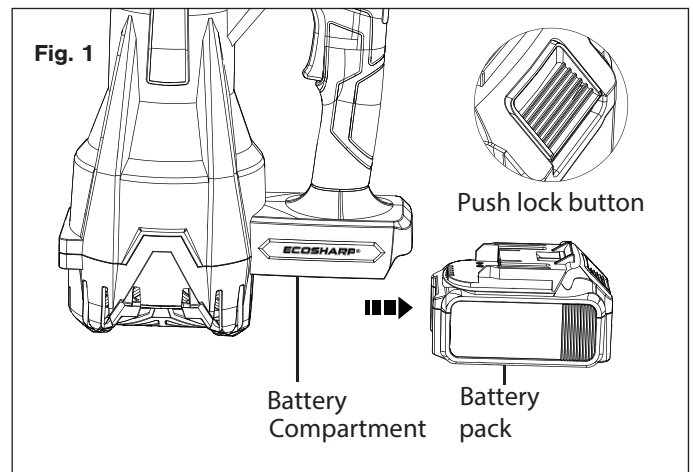
⚠ WARNING! Charge only 20V* ESCOSHARP® lithium-ion battery packs with its compatible 20V* ESCOSHARP® lithium-ion charger. Other types of batteries may cause personal injury and damage. To reduce the risk of electric shock, do not allow water to flow into the charger's AC/DC plug. When to Charge the ESCOSHARP® 20VBAT-LTE Lithium-ion battery.

NOTE: The ESCOSHARP® 20VBAT-LTE lithium-ion battery packs do not develop a "memory" when charged after only a partial discharge. Therefore, it is not necessary to run down the battery pack before inserting the charger plug.

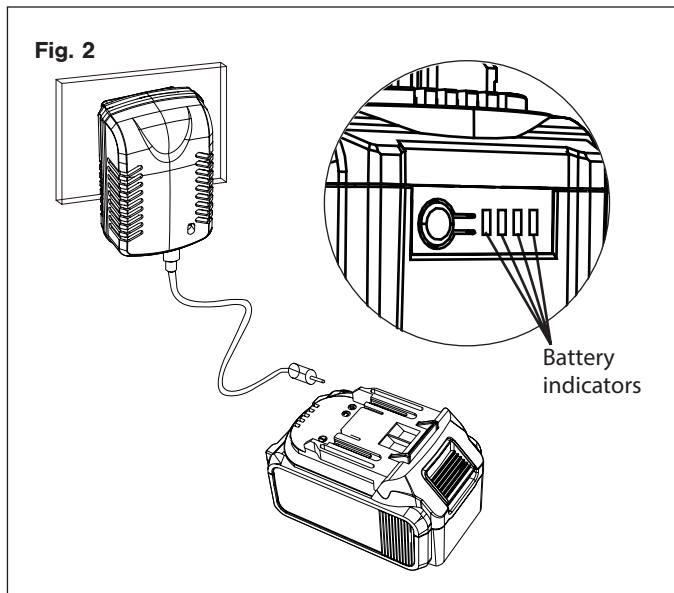
- Use the battery indicator lights to determine when to charge your ESCOSHARP® 20VBAT-LTE lithium-ion battery pack.
- You can "top-off" your battery pack's charge before starting a big job or after a long day of use.

Charging the Battery

1. Push the push lock button on the battery to pull the battery pack out of the equipment (Fig. 1).



2. Then, plug the charger adapter into an appropriate AC power outlet. Connect the charger plug into the charge socket of the battery to start charging (Fig. 2).



3. The battery will take approximately 5-6 hours to charge. The battery indicator LEDs will twinkle and illuminate one by one during the charging process. Unplug the charger immediately when the 3 LEDs are all illuminated.

CAUTION! FIRE HAZARD. When disconnecting the charger from the battery, be sure to unplug the charger from the outlet first, then disconnect the charger from the battery.

4. Timely recharging of the battery will help prolong the battery's life. You must recharge the battery pack when you notice a drop in the equipment's power.

IMPORTANT! Never allow the battery pack to become fully discharged as this will cause irreversible damage to the battery.

Assembly

WARNING! To avoid serious personal injury, read and understand all safety instructions provided.

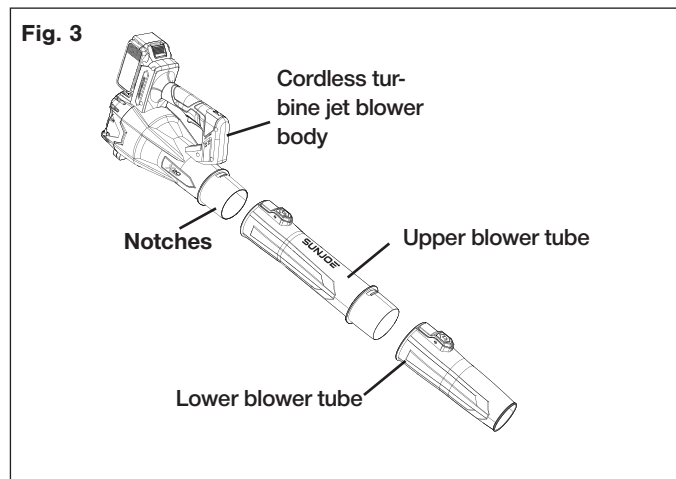
WARNING! Do not insert battery until assembly is complete. Failure to comply could result in accidental starting and possible serious personal injury.

WARNING! Before performing any maintenance, make sure battery is removed. Failure to heed this warning could result in serious personal injury.

WARNING! To prevent serious personal injury, make sure the switch is in the OFF (0) position, the battery is removed and the impeller has come to a complete stop before attaching or detaching the tubes.

Attaching the Jet Blower Tube

1. Align the notches on the cordless turbine jet blower body with the notches on the blower tube and slide together until they click into place. (Fig. 3).



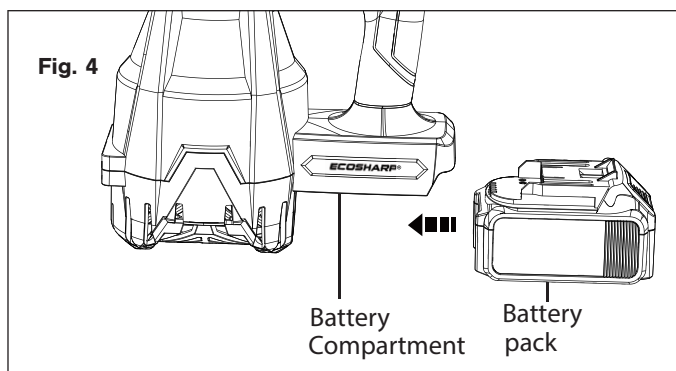
WARNING! To avoid the risk of injury, it is not recommended to disassemble the blower tube.

Operation

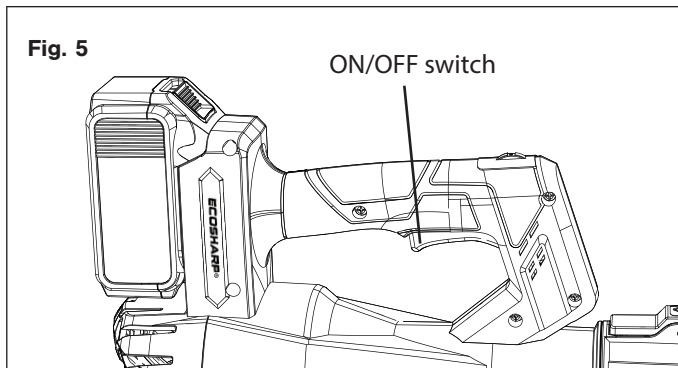
Starting + Stopping

CAUTION! Starting, stopping, and restarting a DC motor repeatedly within a few seconds can generate a great deal of heat and damage the motor. To protect the life of your cordless turbine jet blower, always wait at least five seconds after stopping before restarting the jet blower.

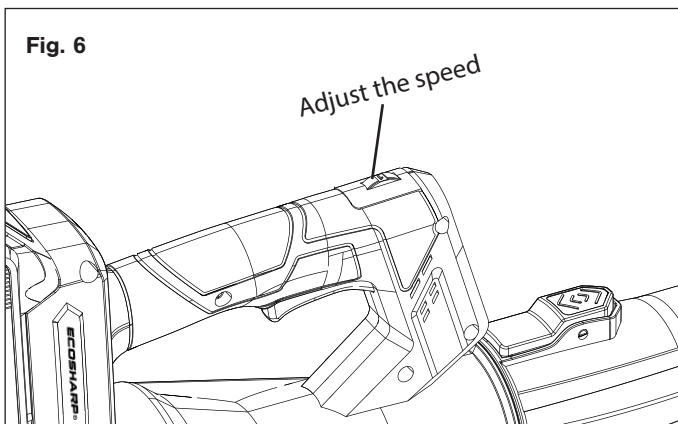
1. Insert the battery into the battery compartment until it clicks to lock it into position (Fig. 4).



- To start the cordless turbine jet blower, press the ON/OFF button(Fig. 5).



- To adjust the speed, press the speed level button (Fig. 6).



Operating Tips

Speed Adjustment

This leaf blower features 6-speed settings, allowing you to customize airflow power for different tasks.

- Press the start button to start the blower at Speed Level 1 (Lowest)
- Press the speed level button once to increase the speed by 1 level. When maximum speed (Level 6) is reached, pressing speed level button again will cycle back to Level 1.
- Press and hold the speed level button to instantly jump to Level 6 (Max Speed) and maintain it.

m/s=Meters per second

Level	Airspeed (m/s)
1	21
2	24
3	28
4	33
5	37
6	40

Note: Avoid continuous high-speed use to prolong motor life.

WARNING! Use the cordless turbine jet blower only in daylight or good artificial light.

- When using the cordless turbine jet blower, plant your feet firmly on the ground and place your dominant hand on the unit handle to control the unit. Use your other hand to steady the unit as needed.
- Wear personal protective equipment during your work session. This includes boots, safety glasses/goggles, ear defenders, long pants and a long-sleeve shirt.
- Make sure the jet blower tube is not directed at anybody or any loose debris before starting the unit.
- Verify that the unit is in good working condition. Make sure the tubes are in place and secure.
- Keep a firm grip on the unit handle while in use.
- To reduce the risk of hearing loss associated with increased sound levels, hearing protection is required.
- Operate power equipment only at reasonable hours—not early in the morning or late at night when people might be disturbed. Comply with times listed in local ordinances. Usual recommendations are 9:00 am to 5:00 pm, Monday through Saturday.
- To reduce noise levels, limit the number of pieces of power equipment used at any one time and operate power blowers at the lowest possible speed setting necessary to do the job.
- Use rakes and brooms to loosen debris before blowing.
- In dusty conditions, slightly dampen surfaces.
- Conserve water by using power blowers instead of hoses for many lawn and garden applications, including areas such as gutters, screens, patios, grills, porches and gardens.
- Blow debris into a safe, open area away from children, pets, open windows or freshly washed cars.
- Clean up after using leaf blowers and other lawn equipment. Dispose of debris appropriately.

WARNING! To avoid serious personal injury, wear ear defenders, goggles or safety glasses at all times when operating this unit. Wear a face mask or dust mask in dusty locations.

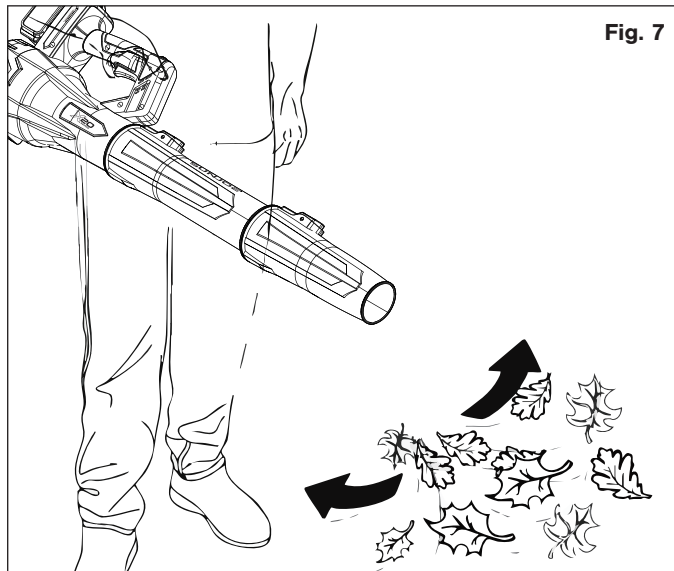
WARNING! To prevent serious personal injury or damage to the unit, make sure the blower tube is in place before operating the unit.

WARNING! Never cover air vents. Keep them free from obstructions and debris. They must always remain clear for proper motor cooling.

WARNING! To avoid serious personal injury, do not wear loose fitting clothing or articles such as scarves, strings, chains, ties, etc., that could get drawn into the air vents. To make sure long hair does not get drawn into the air vents, tie back long hair.

Blowing Operation

- Hold the jet blower firmly with your dominant hand on the unit handle. Sweep from side to side with the lower tube several inches above the ground or floor (Fig. 7).



- Slowly advance the unit, keeping the accumulated pile of debris in front of you.

Maintenance

⚠ WARNING! Always wear protective gloves during maintenance operations. Do not carry out maintenance when the engine is running or hot.

⚠ WARNING! Use only original manufacturer's replacement parts, accessories and attachments. Failure to do so can cause possible injury and poor performance. To order genuine replacement parts or accessories for the Sun Joe® ESCOSHARP® X20-BLOWER-4A cordless turbine jet blower, please visit shopjoe.com or contact the All Season Power customer service center at 1-866-225-9723.

⚠ WARNING! Remove the battery before performing any maintenance task. If the battery is connected with the unit, someone could accidentally turn on the unit while you are inspecting it, which could result in serious personal injury.

1. Store the tool, instruction manual and accessories in a secure, dry place. In this way, you will always have the information ready at hand.
2. Keep the tool's air vents unclogged and clean at all times.
3. Remove dust and dirt regularly. Cleaning is best done with a rag or brush.
4. Never use caustic agents to clean plastic parts.

⚠ WARNING! Do not use cleaning agents to clean the plastic parts of the tool. A mild detergent on a damp cloth is recommended. Water must never come into contact with the tool.

Storage

1. Examine the cordless turbine jet blower thoroughly for worn, loose, or damaged parts. Should you need to repair or replace a part, contact an authorized Snow Joe® + Sun Joe® dealer or call the All Season Power customer service center at 1-866-225-9723 for assistance.
2. Remove the battery from the cordless turbine jet blower before storing.
3. Store the jet blower in a dry, well-ventilated place that is inaccessible to children. Keep away from corrosive agents.

Battery Caution + Disposal

Always dispose of your battery pack according to federal, state, and local regulations. Contact a recycling agency in your area for recycling locations.

⚠ CAUTION! Even discharged battery packs contain some energy. Before disposing, use electrical tape to cover the terminals to prevent the battery pack from shorting, which could cause a fire or explosion.

⚠ WARNING! To reduce the risk of injury or explosion, never burn or incinerate a battery pack even if it is damaged, dead, or completely discharged. When burned, toxic fumes and materials are emitted into the surrounding atmosphere.

1. Batteries vary according to device. Consult your manual for specific information.
2. Install only new batteries of the same type in your product (where applicable).
3. Failure to insert batteries in the correct polarity, as indicated in the battery compartment or manual, may shorten the life of the batteries or cause batteries to leak.
4. Do not mix old and new batteries.
5. Do not mix Alkaline, Standard (Carbon-Zinc), or Rechargeable (Nickel Cadmium, Nickel Metal Hydride, or Lithium-Ion) batteries.
6. Do not dispose of batteries in fire.
7. Batteries should be recycled or disposed of as per state and local guidelines.

Service and Support

If your Sun Joe® ESCOSHARP® X20-BLOWER-4A cordless turbine jet blower requires service or maintenance, please call 1-866-225-9723 for assistance.

Model and Serial Numbers

When contacting the company, reordering parts, or arranging service from an authorized dealer, you will need to provide the model and serial numbers, which can be found on the decal located on the housing of the unit. Copy these numbers into the space provided below.

Record the following numbers from the housing or handle of your new product:

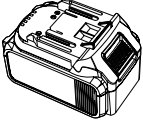
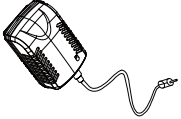
Model #:

X 2 0 - B L O W E R - 4 A

Serial #:

Optional Accessories

⚠ WARNING! ALWAYS use only authorized Snow Joe® + Sun Joe® replacement parts and accessories. NEVER use replacement parts or accessories that are not intended for use with this saw. Contact All Season Power if you are unsure whether it is safe to use a particular replacement part or accessory with your saw. The use of any other attachment or accessory can be dangerous and could cause injury or mechanical damage.

Accessories	Item	Model
1 	20V*ECOSHARP 4.0 Ah Lithium-ion Battery	X20-BATT-4A
2 	Charger for X20 Series - SAW, CBLW, BLOWER	GC09-2100750 US

Trouble Shooting

Problem	Possible Cause	Solution
Unit will not start	Battery not inserted or discharged	Reinsert battery until it clicks or fully recharge
Unit will not start	Battery faulty	Test with a known working battery
Unit shuts off during use	Low battery	Recharge battery
Unit shuts off during use	Overload or overheating	Turn OFF, wait 10–15 minutes, restart
Weak airflow	Low battery	Recharge battery
Weak airflow	Air inlet blocked	Turn OFF, remove battery, clear debris
Excessive vibration or noise	Tube not secure	Reattach tube firmly
Excessive vibration or noise	Internal damage	Stop use and contact customer support
Battery will not charge	Battery too hot/cold	Allow to reach room temperature
Battery will not charge	Charger issue	Check outlet or replace charger



OUR CUSTOMER PROMISE + LIMITED WARRANTY

ABOVE ALL ELSE, All Season Power, LLC (“All Season Power”) is dedicated to you, our customer. We strive to make your experience as pleasant as possible. Unfortunately, there are times when a Snow Joe®, Sun Joe®, Aqua Joe® or Auto Joe® product (“Product”) does not work or breaks under normal operating conditions. We think it’s important that you know what you can expect from us. That’s why we have a Limited Warranty (“Warranty”) for our Products.

OUR WARRANTY:

All Season Power warrants new, genuine, powered and non-powered Products to be free from defects in material or workmanship when used for ordinary household use for a period of one year from the date of purchase or delivery by the original, end-user purchaser when purchased from All Season Power or from one of All Season Power’s authorized sellers with proof of purchase. Because All Season Power is unable to control the quality of its Products sold by unauthorized sellers, unless otherwise prohibited by law, this Warranty does not cover Products purchased from unauthorized sellers. If you have any questions about how to buy from an authorized seller, chat with us at shopjoe.com/support or call us at **1-866-225-9723**. If your Product does not work or there’s an issue with a specific part that is covered by the terms of this Warranty, All Season Power will elect to either (1) send you a free replacement part, (2) replace the Product with a new or comparable product (which may include a refurbished, like-new product) at no charge, or (3) repair the Product. How cool is that!

PRODUCT REGISTRATION:

All Season Power strongly encourages you to register your Product. You can register online at shopjoe.com/register, by chatting with us at shopjoe.com/support or calling our Customer Service Department at **1-866-225-9723**. Failure to register your Product will not diminish your warranty rights. However, registering your Product will allow All Season Power to better serve you with any of your customer service needs.

WHO CAN SEEK LIMITED WARRANTY COVERAGE:

This Warranty is extended by All Season Power to the original purchaser and original owner of the Product.

WHAT IS NOT COVERED?

This Warranty does not apply if the Product has been used commercially or for non-household or rental applications. This Warranty also does not apply if the Product was purchased from an unauthorized seller. This Warranty also does not cover cosmetic changes that do not affect performance. Wearing parts like belts, augers, chains and tines are not covered under this Warranty, and can be purchased at shopjoe.com or by calling 1-866-225-9723.



We encourage you to use **CERTIFIED AUTHENTIC** Snow Joe®, Sun Joe®, Aqua Joe® + Auto Joe® replacement parts + accessories. Damage caused by the use of any other parts + accessories on your Product will not be covered under the warranty. Genuine parts + accessories can be found and purchased here by entering the model number of your product.

When you register your powered or non-powered Product with All Season Power at shopjoe.com/register, you will receive an additional 90 days of warranty coverage. In addition, you will have the option of purchasing extended warranty coverage beyond the standard 1-year manufacturer’s warranty. Choose from two, three, or four years of extended coverage through Extend, Inc. Additional charges apply. When you Go With Joe®, you’re not just buying an extended warranty; you’re buying total peace of mind to know that you can rely on our top-notch tools, top-tier customer support, complete product coverage + no hassle return policy. Chat with us at shopjoe.com/support or call us at **1-866-225-9723** 7 days a week 10AM-6PM EST. We’ve got you covered!

There are no warranties which extend beyond those stated herein. **ANY IMPLIED WARRANTIES THAT MAY BE APPLICABLE TO PRODUCTS, INCLUDING IMPLIED WARRANTIES OF MERCHANTABILITY OR FITNESS FOR A PARTICULAR PURPOSE, ARE LIMITED IN DURATION TO THE DURATION OF THIS WARRANTY.** Some States do not allow limitations on how long an implied warranty lasts, so the above limitation may not apply to you.

UNDER NO CIRCUMSTANCES SHALL WE BE LIABLE FOR ANY SPECIAL, INCIDENTAL, OR CONSEQUENTIAL DAMAGES BASED UPON BREACH OF THIS LIMITED WARRANTY, BREACH OF CONTRACT OR STRICT LIABILITY. Some States do not allow the exclusion or limitation of incidental or consequential damages, so the above limitation or exclusion may not apply to you. This warranty gives you specific legal rights, and you may also have other rights which vary from State to State. This warranty supersedes those printed in product manuals.



shopjoe.com [®]