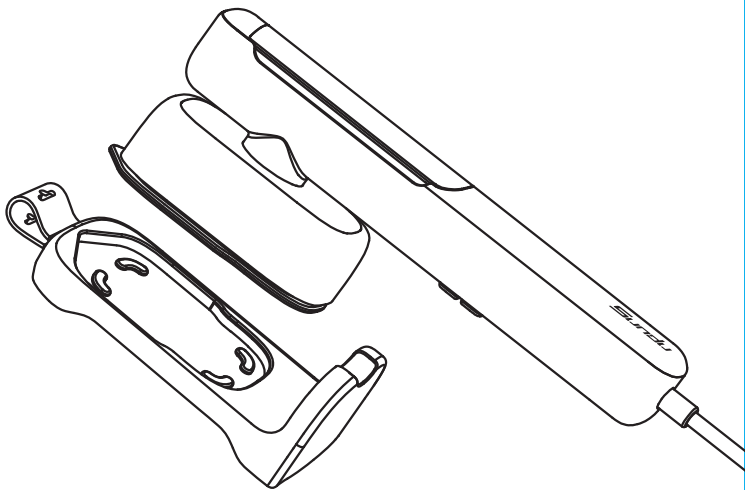


SUNDU



User Manual Handheld Steamer

Thank you for choosing Sundu. We are committed to upholding the highest standards of quality and design, and we hope you derive immense satisfaction from your new product. If you require any assistance, please reach out to our support team with your product model number and order number. We are here to provide support and after-sales service. Contact us at support@sunduhome.com

PLEASE READ THE USER MANUAL CAREFULLY BEFORE USING THE PRODUCT.

■ PACKAGE CONTENTS

- 1x Sundu Upgraded 2-in-1 Steam Garment Steamer
- 1x Insulated Base
- 1x Heat-resistant Gloves
- 1x Storage Bag
- 1x Instruction Manual

■ SPECIFICATIONS

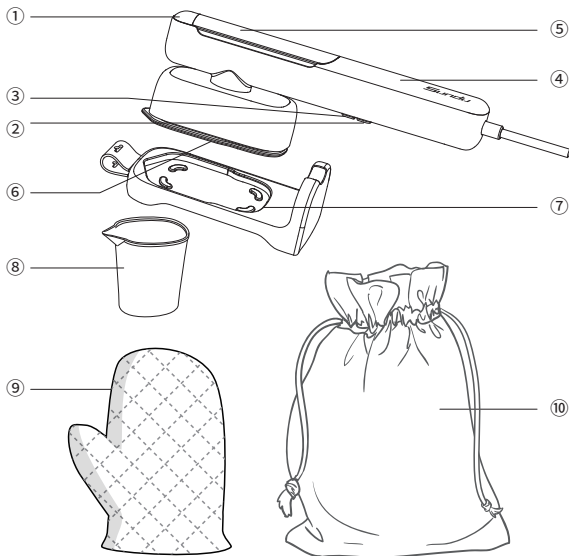
US Model	LDYD-1002(WA)
UK Model	LDYD-1002(WB)
Voltage	AC110V-240V 50Hz-60Hz
Power	900W-1100W
Water Tank Capacity	80mL
Weight	896g

■ GENERAL SAFETY INSTRUCTIONS

- To ensure product quality, the machine undergoes a water test before leaving the factory. This test may result in residual water droplets in the water tank, which is a normal occurrence. Please feel confident in using the product.
- Before connecting to the power supply, please carefully inspect the plug and power cord. If the power cord is damaged, for your safety, please contact us at **support@sunduhome.com** for a replacement.
- It is prohibited to use other high-power appliances on the same socket to prevent circuit overload.
- Do not attempt to disassemble the product by yourself, as it may result in fire, electric shock, or personal injury.
- It is strictly forbidden to wrap the power cord around the product handle when storing it, as it may cause the power cord to disconnect, resulting in electric shock or fire due to a short circuit.
- Do not use the product while the power cord is tightly bound, as it may result in electric shock or fire.
- It is strictly prohibited to immerse the product in water or any other liquids to avoid damaging the product.
- This product should not be used by individuals with physical, sensory, or mental disabilities, or by individuals lacking experience and knowledge (including children). It must be used under the supervision and guidance of a responsible adult who assumes responsibility for the user's safety. Children should be closely supervised to ensure they do not play with the product, as it may result in accidents or injuries.
- Before filling the water tank, unplug the power plug and ensure it is dry before using the product again.
- When plugging or unplugging the power plug, always hold the plug itself and avoid pulling the power cord or handling it with wet hands.
- During operation, the user must not leave the product unattended. After use, please unplug the power cord.
- The base of the product becomes very hot during operation. Do not touch it to avoid burns.
- The high-temperature steam generated during operation may cause deformation or discoloration of heat-sensitive clothing items (such as leather jackets). Do not use the product on such items.
- Take precautions to prevent the risk of steam splashing during operation. Do not aim the base towards people to avoid scalding.
- During operation, ensure that the power cord does not come into contact with hot surfaces of the machine, such as the base.
- Do not disassemble the water tank during operation.
- Do not touch the base with your hands after use.
- Place the product on a stable and flat surface for use. If the product falls, shows visible signs of damage, or exhibits leakage, it should not be used further.

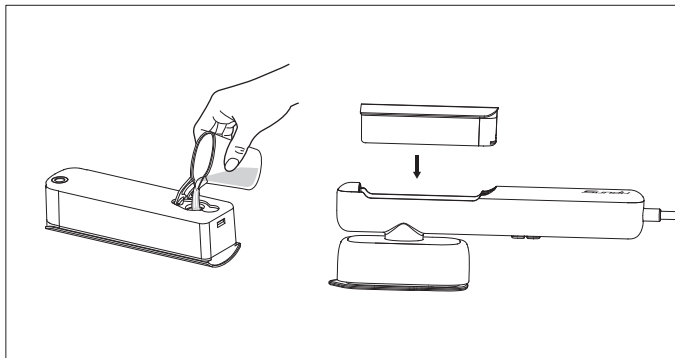
■ PRODUCT STRUCTURE

- ① Display Screen
- ② Power On/Off Button
- ③ Mode Switch Button
- ④ Handle
- ⑤ Removable Water Tank
- ⑥ Ironing Plate
- ⑦ Heat-Resistant Storage and Dual-Use Base
- ⑧ Measuring Cup
- ⑨ Heat-Resistant Glove
- ⑩ Storage Bag

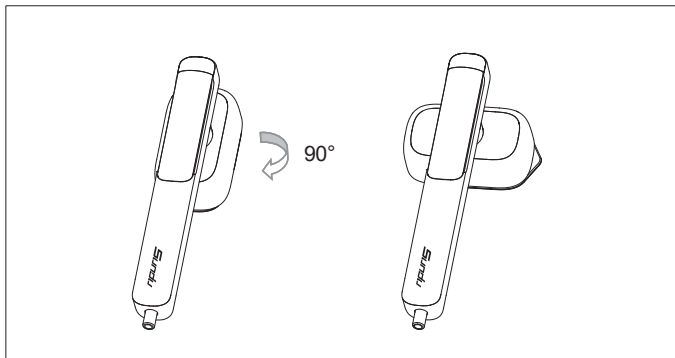



■ USER MANUAL

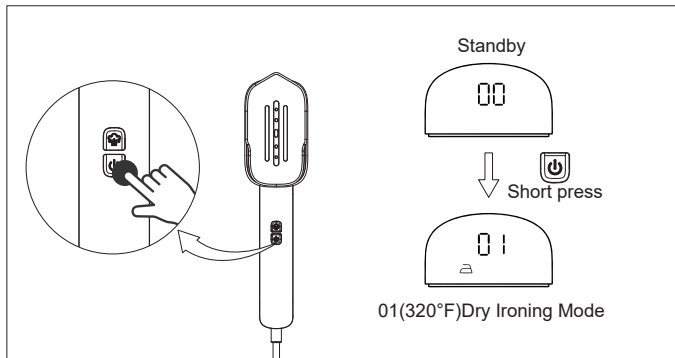
1. Use the measuring cup to fill 80ml of distilled water. Take out the water tank, open the water inlet cover, and pour the water from the measuring cup into the water tank. Close the water inlet cover and install the water tank into the device.





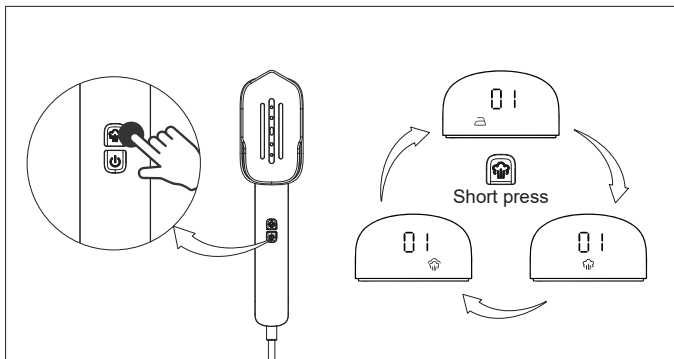
2. The head of the device can be rotated 90° clockwise. Adjust it according to your needs for flat ironing or steaming before connecting to the power source.




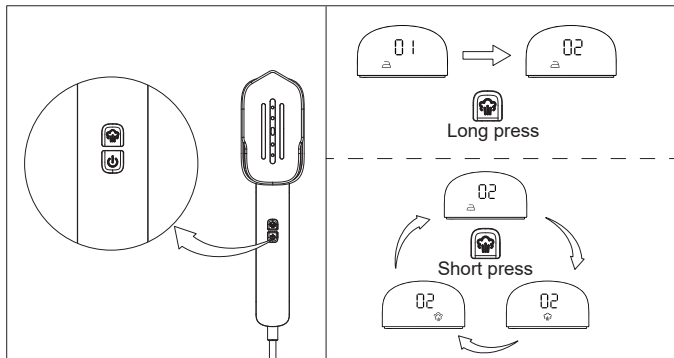
3. Plug the power cord into a household outlet. Press the power on/off button  briefly, and the product will start preheating (the dry iron temperature icon on the display screen will blink).




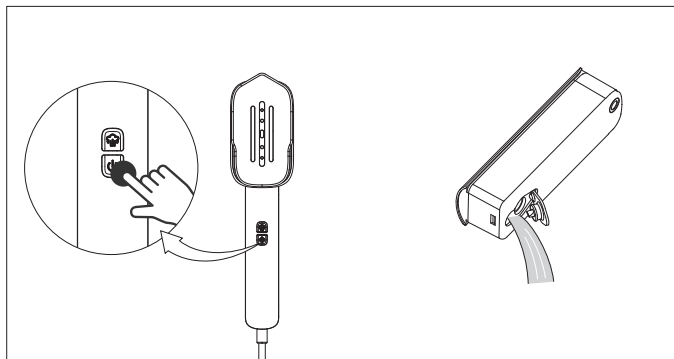
4. After the preheating is complete (the 01 (320°F) icon on the display screen changes from blinking to steady), press the mode switch button  briefly to activate low steam mode, and press the mode switch button  again to switch to high steam mode.



5. Press and hold the mode switch button  to switch to 02 (356°F) temperature level. Press the mode switch button  briefly to activate low steam mode, and press the mode switch button  again to switch to high steam mode.

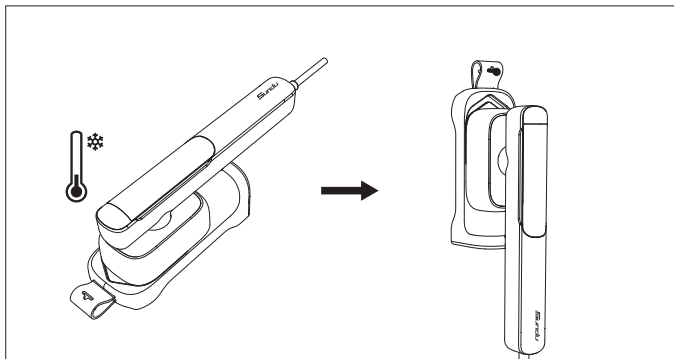


6. After use, press and hold the power on/off button , unplug the power cord, and empty any remaining water from the water tank.



7. If no buttons are pressed for operation, the device will automatically shut down after 20 minutes to prevent safety accidents.

8. Place the device on the heat-resistant base and wait for the ironing plate to cool down before storing it.



■ NOTE

- The head of the device is rotatable. Please perform the rotation operation before connecting it to the power source. Do not rotate the device during the heating process to avoid burns.
- Before activating the steam function, ensure there is water in the water tank to prevent damage to the water pump due to prolonged dry pumping.
- Please activate the steam function after the device has finished preheating (the temperature icon on the display screen changes from blinking to steady at 01).
- When initially activating the steam function, there may be a small amount of water spraying. Direct the steam away from the fabric for a few seconds before starting the ironing process.
- During the ironing process, do not leave the device placed on fabric for an extended period without moving it to avoid damaging the clothes.
- When adding water to the water tank during use, make sure to disconnect the power source first.

■ CLEANING AND STORAGE

- **DO NOT** immerse the device in water or any other liquid for cleaning.
- **DO NOT** add vinegar, dishwashing detergent, saltwater solution, perfume, fabric softener, or any other chemicals into the water tank.
- To prolong the product's lifespan, use distilled water or purified water when filling the water tank.
- After ironing, unplug the power cord and place the device on a heat-resistant base. Allow the device to cool down before storing it.
- Store the device in a cool and dry place, out of reach of children.

■ WARRANTY & CUSTOMER SUPPORT

For questions, support, or warranty claims, please contact our Sundu support team with your product model number and order number. Support and after-sale service: support@sunduhome.com

Please note, we can only provide after sales service for products purchased directly from. If you have purchased from a different seller, please contact them directly for service or warranty issues.

Sunduj

Handheld Steamer

E-mail: support@sunduhome.com

MADE IN CHINA