

Where to install your refrigerator

To use refrigerator with the most efficiency and safety, select suitable place to install refrigerator according to the following:

1. This refrigerator is designed for free standing installation only and should not be recessed or built in.
2. Refrigerator should be installed on a strong level floor or counter. If the floor is not quite level, adjust the refrigerator foot.
3. A minimum of 2 inches of clearance must be provided between the rear condenser and the wall. Providing greater rear wall clearance when space allows in order to improve air circulation is recommended; in addition, leave unobstructed space above the refrigerator and both sides.
4. Avoid any direct sunbeam, heat and moisture.
5. Refrigerator is equipped with a three-prong plug and is grounded to eliminate electrical hazards. In order to make it effective, refrigerator must be plugged into a grounded electrical outlet.
6. Do not use extension cord.

Test run

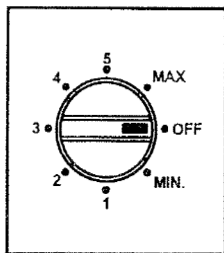
Before using the refrigerator, clean it and make test run to see if the following are completed. If not, check electricity supply. When cause of trouble cannot be located, contact your Summit dealer.

1. Set cold control knob at "OFF" position and then plug AC cord into an electrical outlet of 115 volts, 60Hz. Motor should not run.
2. Set cold control knob at "MAX" position and let refrigerator operate for 20 minutes. Freezing compartment should get slightly frosted and motor should run smoothly with no noise but soft hum.
3. Then rotate cold control knob counterclockwise toward "MIN" position. Before pointer of the knob reaches "MIN" position, motor should turn off.

How to defrost

For the most efficient operation of refrigerator with the minimum electrical energy consumption, defrost freezing compartment whenever the layer of ice/frost on the wall of freezing compartment reaches a quarter inch thick.

For defrosting, remove frozen foods and/or ice cube trays from freezing compartment and put drip tray in place. To start defrosting, simply set cold control knob at "OFF" position. (See illustration below.)



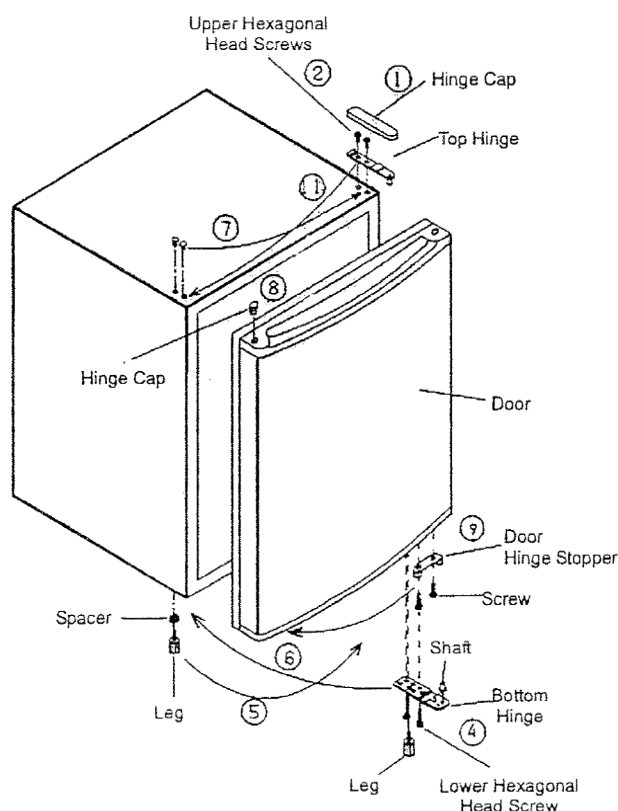
Defrosting usually takes a few hours. In order to defrost faster, remove all foods from refrigerator and keep door open. Also pouring warm (not hot) water onto frosted part may reduce time consumed for defrosting.

Never use any sharp or metallic instruments to remove ice/frost from freezing compartment. A punctured evaporator will cause serious problems and void the warranty. Also do not use boiling water or defrost heater because it may damage plastic parts such as cabinet liner and it will void the warranty, too.

When defrosting is completed, remove drip tray and dispose of water therein. Then set cold control knob at any desired position between "MAX" and "MIN" to restart refrigeration.

If suspension of defrosting is required before completion, return cold control knob to operating position.

Disassembly Diagram for Reversing the Door Swing



Temperature control

The refrigerator compartment temperature can be adjusted colder or warmer by turning the Temperature Control Knob. Colder temperature can be achieved by turning the Control Knob clockwise towards the "MAX" position. Warmer temperature can be selected by turning the Control Knob counterclockwise towards the "MIN" position.

Refrigerator temperature will vary depending on the quantity of the foods stored and on the frequency with which the door is opened. Set cold control knob at "MAX" position only when ice cubes are needed in a hurry.

Usually cold control knob should be set at middle position.

Cleaning and maintenance

Turn off your refrigerator and remove all food, shelves, trays, etc. Wash interior liner with a solution of two tablespoons of baking soda and a quart of warm water. Then, rinse and wipe it out. Do not use soaps, detergents, scouring powders, spray cleaners or the like for cleaning the interior liner, as these may cause odors in the refrigerator compartment.

Wash the ice cube tray, drip tray and shelves in a mild detergent solution and dry with a soft cloth.

Wipe the exterior surface with a soft cloth dampened with soapy water and dry it with a soft cloth. Normal appliance spray cleaners may be used for the exterior only.

Use only mild soap and water to clean the door gasket.

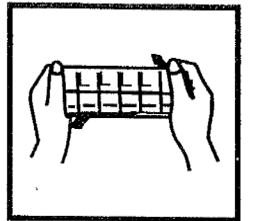
Never use acid, chemical thinners, gasoline, benzene or the like to clean any part of the refrigerator. Boiling water and benzene may deform or damage the plastic parts.

Your Summit refrigerator does not require any maintenance.

How to remove ice cubes from tray

Ice cube tray is flexible. Twist tray to remove ice cubes.

Do not use boiling water or metal instrument such as a knife or screwdriver to remove ice cube tray, because this may damage plastic parts or evaporator.



Reversing the door swing

Refer to the disassembly diagram and change the door hinges in the following procedure. The numbers in the diagram indicate the procedure order in the instructions.

1. Remove the hinge cap by twisting it off.
2. Remove the upper hexagonal head screws. The refrigerator door can now be removed.
3. Tilt the refrigerator back or lay it on its back for steps 4, 5 and 6. Use a pad or blanket to protect the floor and to avoid scratching the painted finish.
4. Remove the leveling legs by turning them counterclockwise. Remove the lower hexagonal head screws, two on the hinge side and one near the front corner of the other side.
5. Attach the left side leg and the leg spacer to the other side hole which was positioned symmetrically.
6. Attach the bottom hinge symmetrically to the other side of the cabinet.
7. Remove the upper hinge plastic pins and insert them in the holes from which the screws were removed in procedure 2.
8. Take off the hinge collar cap using a screwdriver and insert them in the hinge collar on the opposite side.
9. Remove the refrigerator door hinge stopper and the hinge stopper screws and install them in the other side of the door.
10. Attach the refrigerator door to the bottom hinge.
11. Attach the upper hinge to the refrigerator door. Do not tighten the screws completely.
12. The direction in which the door opens has now been changed; however, the following points should be checked:
 - a. Make sure the door is on straight.
 - b. Make sure that there is no space between the door gasket and the refrigerator unit itself when the door is closed.
 - c. Make sure that the gasket on the hinge side is not caught between the door and the unit when the door is opened or closed. (If the door is forced closed when the gasket is caught, the gasket may be damaged).
13. Stand the unit back in the upright position.