

Contents

1 Instructions	30
1.1 General safety instructions	30
1.2 Manufacturer liability	32
1.3 Appliance purpose	32
1.4 Disposal	33
1.5 Identification plate	33
1.6 This user manual	33
1.7 How to read the user manual	33
2 Description	35
2.1 General Description	35
2.2 Description of parts	36
2.3 Available accessories	37
2.4 NO-FROST technology	38
3 Use	39
3.1 Instructions	39
3.2 Preliminary operations	39
3.3 First use	39
3.4 Using the accessories	41
3.5 Using the refrigerator compartment	43
3.6 Using the freezer compartment	43
3.7 Noises during operation	44
3.8 Heated front surface	45
3.9 Turning the appliance off	45
3.10 Food storage advice	45
4 Cleaning and maintenance	47
4.1 Instructions	47
4.2 Cleaning the appliance	47
4.3 Defrosting	48
4.4 Replacing the lamp	48
4.5 What to do if...	49
5 Installation	51
5.1 Electrical connection	51
5.2 Positioning	51

We advise you to read this manual carefully, as it contains all the instructions for maintaining the appliance's aesthetic and functional qualities.

For further information on the product: www.smeg.com



1 Instructions

1.1 General safety instructions

Risk of personal injury

- Never touch the heating elements during use.
- Keep children under the age of eight at a safe distance unless they are constantly supervised and make sure that they do not play with the appliance.
- According to the current regulations, children between 3 and 8 years of age can take or load food from the appliance, but it is strongly advised against allowing children under 8 years of age to perform these operations and in general to use the appliance.
- Never try to put out a fire or flames with water: turn off the appliance and smother the flames with a fire blanket.
- Cleaning and maintenance that should be performed by the user must not be carried out by unsupervised children.
- Have qualified personnel carry out installation and assistance interventions according to the standards in force.
- Do not modify this appliance.
- Do not insert pointed metal

objects (cutlery or utensils) into the slots in the appliance.

- Do not try to repair the appliance yourself or without the intervention of a qualified technician.
- Do not touch (especially with wet hands) frozen products or put them in your mouth directly.
- Do not store inflammable, explosive or volatile substances.
- Bottles containing strong alcoholic drinks must be tightly closed and stored vertically.
- If the power supply cable is damaged, contact technical support immediately and they will replace it, so as to prevent any risk.
- Ensure that the appliance is switched off and disconnected from the power supply network before replacing the bulb.

Risk of damaging the appliance

- **WARNING:** When positioning the appliance, ensure the supply cord is not trapped or damaged.
- **WARNING:** Do not locate multiple portable socket-outlets or portable power supplies at the rear of the appliance.
- Never rest sharp metal objects such as knives, forks, spoons and lids on the appliance during use.
- Do not use abrasive or corrosive detergents (e.g. scouring



powders, stain removers and metallic sponges) on glass parts.

- Do not seat on the appliance.
- Do not prize on the door or handle to move the appliance.
- Do not use steam jets to clean the appliance.
- Do not use the appliance to cool rooms for any reason.
- Always disconnect the appliance from the mains in the event of a breakdown, maintenance, when replacing the light bulb or during cleaning.
- Do not keep liquids in tins or glass containers in the freezer.
- Do not use sharp metal objects to remove excess ice build-up in the freezer compartment.
- To prevent instability of the appliance, install and secure it correctly as indicated in the instructions provided in this manual.
- Do not place heavy objects on the top of the appliance.
- If installed near another refrigerator or freezer, keep it at a minimum distance of 2 cm.
- Do not install/use the appliance outdoors.

For this appliance

- **WARNING:** risk of fire /

flammable materials.



- The appliance may only be used by children aged 8 years and over, and by people of reduced physical, sensory or mental capacity, or lacking in experience and knowledge in the use of the appliance, provided that they instructed on safe use of the appliance and the risks connected to it by adults who are responsible for their safety.
- Children must be supervised to ensure that they do not play with the appliance.
- Do not rest any weight or sit on the open door of the appliance.
- Take care that no objects are stuck in the doors.
- The appliance contains a small quantity of isobutane (R600a), make sure not to damage the cooling circuit during transport, installation and cleaning.
- Keep the ventilation openings surrounding the appliance or in the nearby area free from any obstructions.



Instructions

- Do not use mechanical, electrical or chemical products other than those recommended by the manufacturer to speed up the defrosting process.
- Do not damage the cooling circuit (if it can be accessed).
- Do not use electrical appliances inside food storage compartments unless these are of the type recommended by the manufacturer.
- In the event of damage to the cooling circuit, avoid the use of naked flames and ventilate the area properly.
- Do not use the appliance or parts of it in ways other than those specified in this manual.
- Opening the door for long periods can cause a significant increase of the temperature in the compartments of the appliance.
- Clean regularly surfaces that can come in contact with food and accessible drainage systems.
- Store raw meat and fish in suitable containers in the refrigerator, so that it is not in contact with or drip onto other food.
- If the refrigerating appliance is left empty for long periods, switch off, defrost, clean, dry, and leave the door open to prevent mould developing within the appliance.

1.2 Manufacturer liability

The manufacturer declines all liability for damage to persons or property caused by:

- use of the appliance other than that specified;
- failure to comply with the instructions in the user manual;
- tampering with any part of the appliance;
- the use of non-original spare parts.

1.3 Appliance purpose

The appliance is designed for use in a domestic or similar environment, for instance:

- staff kitchen areas in shops, offices and other working environments;
- farm houses and by guests in hotels, motels and other residential type environments;
- bed and breakfast establishments;
- catering and similar non-retail applications.
- The appliance is not designed for professional and commercial use.
- This appliance is for refrigeration and conservation of fresh and frozen foods in the home. Every other use is considered inappropriate.
- The appliance is not designed to operate with external timers or with remote-control systems.



1.4 Disposal



This appliance must be disposed of separately from other waste (Directives 2002/95/EC, 2002/96/EC, 2003/108/EC). The appliance does not contain substances in quantities sufficient to be considered hazardous to health and the environment, in accordance with current European directives. To dispose of the appliance:

- Cut the power supply cable and remove it along with the plug.



Power voltage Danger of electrocution

- Disconnect the mains power supply.
- Unplug the appliance.
- Deliver the appliance to the appropriate recycling centre for electrical and electronic equipment waste, or return it to the retailer when purchasing an equivalent product, on a one for one basis.
- If the appliance is replaced, remove the door and leave the shelves in their positions, in order to prevent children from being trapped inside.

Our appliances are packaged in non-polluting and recyclable materials.

- Deliver the packing materials to the appropriate recycling centre.



Plastic packaging Danger of suffocation

- Do not leave the packaging or any part of it unattended.
- Do not let children play with the plastic bags.

1.5 Identification plate

The identification plate bears the technical data, serial number and brand name of the appliance. Do not remove the identification plate for any reason.

1.6 This user manual

This user manual is an integral part of the appliance and must therefore be kept in its entirety and within the user's reach for the whole working life of the appliance. Read this user manual carefully before using the appliance.

1.7 How to read the user manual

This user manual uses the following reading conventions:

Instructions



General information on this user manual, on safety and final disposal.

Description



Description of the appliance and its accessories.

Use



Information on the use of the appliance and its accessories, food storage advice.

Cleaning and maintenance



Information for proper cleaning and maintenance of the appliance.

Installation



Information for the qualified technician: Installation, operation and inspection.



Instructions



Safety instructions



Information



Advice

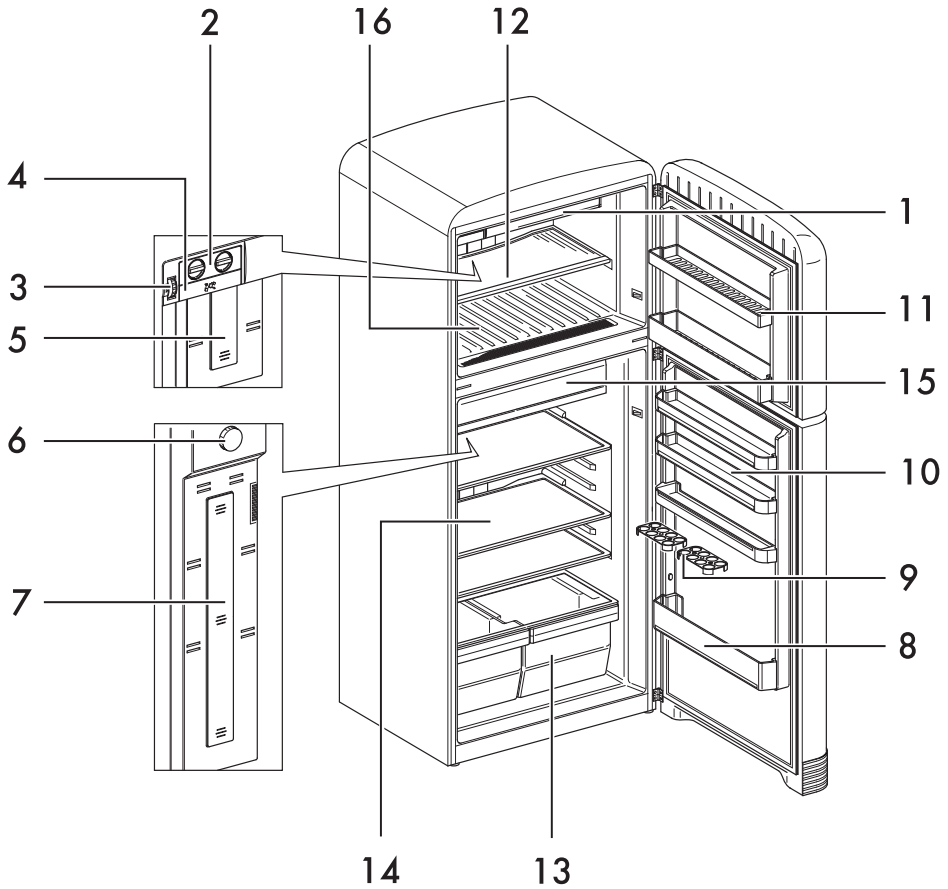
1. Sequence of instructions for use.

- Standalone instruction.



2 Description

2.1 General Description



- 1 Quick freezing compartment
- 2 Ice tray
- 3 Freezer thermostat
- 4 Ice cube pan
- 5 Freezer lamp
- 6 Refrigerator thermostat
- 7 Refrigerator lamp
- 8 Bottle balcony

- 9 Egg container
- 10 Refrigerator balconies
- 11 Freezer balconies
- 12 Freezer shelves
- 13 Fruit and vegetable drawers
- 14 Refrigerator shelves
- 15 Super-cold compartment
- 16 Freezer compartment



Description

2.2 Description of parts

Freezer compartment

For storing frozen foods, freezing fresh foods and producing ice cubes.

Refrigerator compartment

For storing fresh foods.

Defrost water outlet

Defrost water is channelled through a dedicated opening connected to a pan on the back of the appliance.

Super-cold compartment

Can be used for maintaining freshness and flavour of delicate food such as meat, fish and lightly frozen foods for a longer time period, since temperature is kept constantly between -2°C and $+3^{\circ}\text{C}$.



Do not place food to be frozen or trays to make ice in the super-cold compartment.

Interior lighting

The interior of the appliance is lit when the door is opened and turned off when it is closed.

Refrigerator thermostat

For adjusting temperature inside the refrigerator compartment.

Freezer thermostat

For adjusting temperature inside the freezer compartment.



In cold seasons it is advisable to set higher temperatures to reduce energy consumption.

Quick freezing compartment

For freezing cooked and fresh food more rapidly, thanks to the greater cooling capacity resulting from the forced recirculation of air inside.



Make sure that the quick freezing compartment door is closed before closing the freezer door.

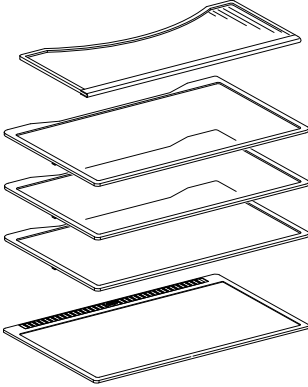


2.3 Available accessories



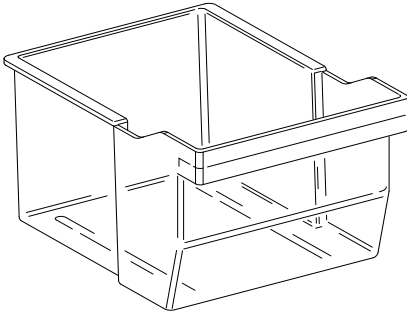
Some models are not provided with all accessories.

Shelves



For optimising fridge space and placing foodstuffs inside the refrigerator compartment.

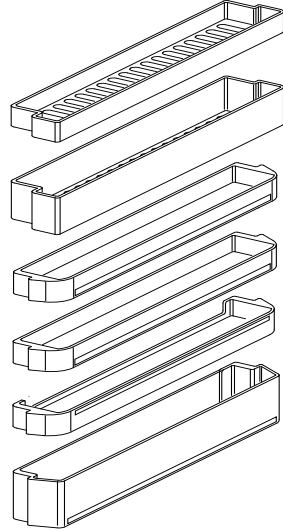
Fruit and vegetable drawers



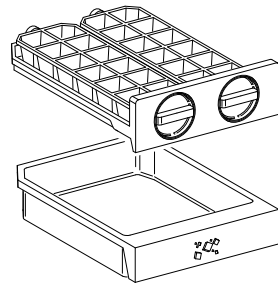
For storing fruit and vegetables, maintaining a constant humidity level.

Door balconies and shelves

For storing foodstuffs in small containers. The shelf in the lower part of the door is useful for storing bottles.



Ice tray

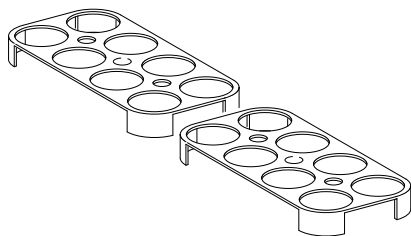


For producing ice cubes; to be placed in the freezer compartment.



Description

Egg holder



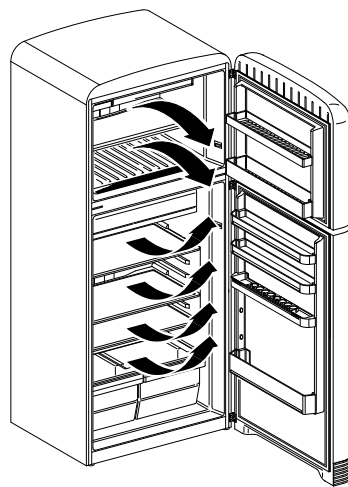
For conserving eggs inside the refrigerator compartment.



The accessories intended to come into contact with food are made of materials that comply with the provisions of current legislation.



Supplied and optional accessories can be requested to Authorised Service Centres. Use only original accessories supplied by the manufacturer.



The inner ventilation system used by the NO-FROST technology cools food more rapidly and keeps refrigeration homogeneous inside the appliance.

2.4 NO-FROST technology



Before introducing food into the appliance, seal it thoroughly.

The NO-FROST technology ensures a constant temperature and a higher cooling power.

The forced recirculation air in the appliance is free of humidity and quickly dries the food inside.



3 Use

3.1 Instructions



Improper use Risk of damage to the appliance

- Do not use sharp objects when removing ice and frost in order not to damage the appliance's walls.
- Do not sit or lean on the door or any open drawers.
- Do not touch the heating elements on the outside of the appliance.
- Do not store inflammable, explosive or volatile substances.
- Organic compounds, acids and essential oils can corrode the seals and plastic surfaces if left in contact with them for extended periods.
- Bottles containing strong alcoholic drinks must be tightly closed and stored vertically.
- Do not use the appliance or parts of it in ways other than those specified in this manual.
- To facilitate circulation of air below the appliance, the area underneath must be kept empty. Do not block it with a carpet or anything else.

3.2 Preliminary operations

1. Remove any protective film from the outside or inside of the appliance, including accessories.
2. Remove any labels (apart from the technical data plate) from the accessories and shelves.

3. Remove and wash all the appliance accessories (see 4 Cleaning and maintenance).
4. Plug the appliance into a wall socket.

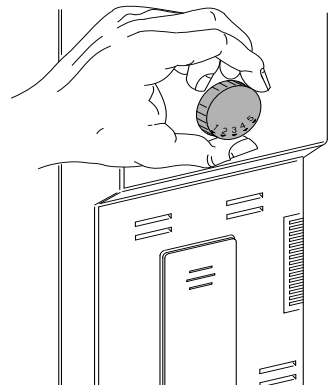
3.3 First use



- After installing or repositioning the appliance, wait at least two hours before activating it.
- When the appliance is turned on for the first time it must run continuously for 24 hours before cooling down to a suitable temperature; during this time do not open the door too often and do not introduce big amounts of food.

Refrigerator thermostat adjustment

To turn the appliance on, rotate the thermostat knob on the control panel from position **1** to position **5**, depending on the desired temperature.



- Positions **1** and **2** correspond to a lower cooling power.
- Positions **3** and **4** correspond to a normal cooling power.



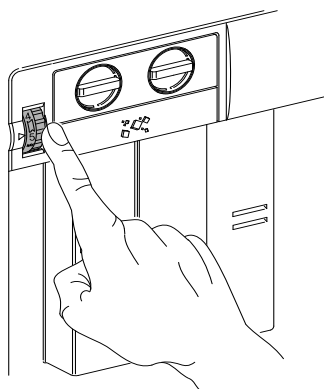
Use

- Position **5** generates the appliance maximum cooling power.



Increasing from position 1 to 5 temperature decreases in the refrigerator compartment.

Freezer thermostat adjustment



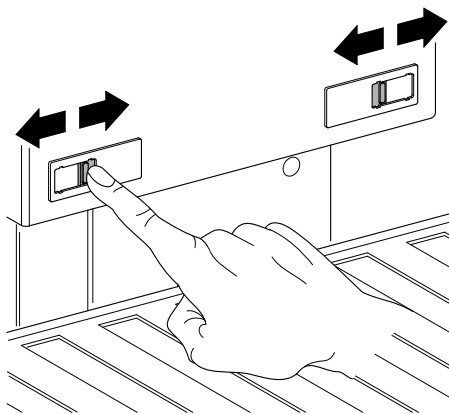
Temperature in the freezer compartment can be regulated by rotating the dedicated thermostat knob, from position **1** to position **5**.

- Positions **1** and **2** allow food to be preserved for a short time.
- Positions **3** and **4** allow food to be preserved for a long time.
- Position **5** allows fresh food to be frozen.



Increasing from position 1 to 5 temperature decreases in the freezer compartment.

Super-cold compartment adjustment



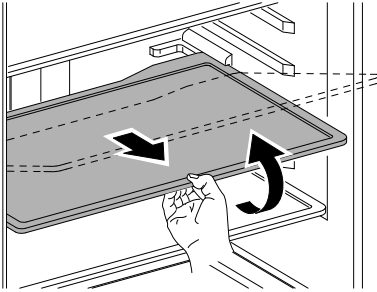
Temperature in the super-cold compartment can be adjusted using the two sliding tabs on the back side of the appliance.



3.4 Using the accessories

Shelves

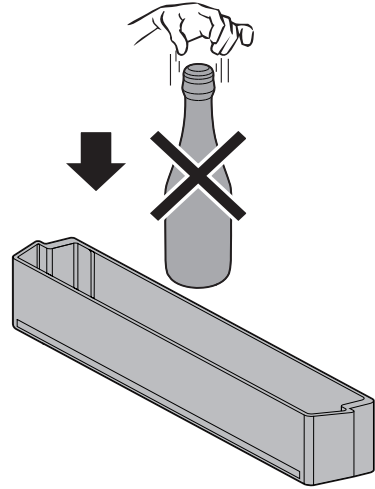
These can be positioned at different heights on the guides according to requirements. Each shelf has a safety fitting to prevent it from being accidentally removed. To remove them completely, extract them horizontally and lift.



Perishable foods should be placed on the rear part of the shelves where the temperature is lower.

Door balconies and shelves

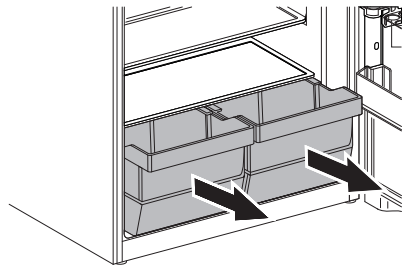
Suitable for storing eggs, butter, dairy products, conserves and other small food packages/containers. The lower part of the door features a balcony for bottles.



Do not place excessively heavy bottles in the balcony and do not drop them.

Fruit and vegetable drawer

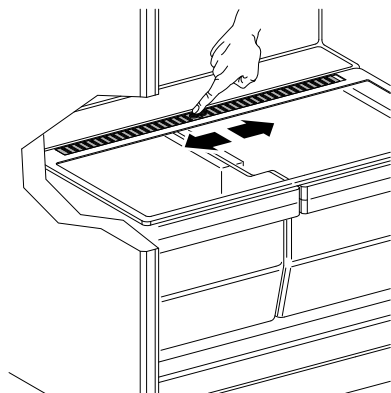
Located at the bottom of the refrigerator compartment, which is fitted with a glass shelf to cover fresh foods that require constant humidity for optimum storage. Food in the fruit and vegetable drawers can be conserved without wrapping.





Use

Humidity regulator



Can be used to adjust the humidity level in the fruit and vegetable drawer. Slide the regulator horizontally to open or close the passage of air through the slots.



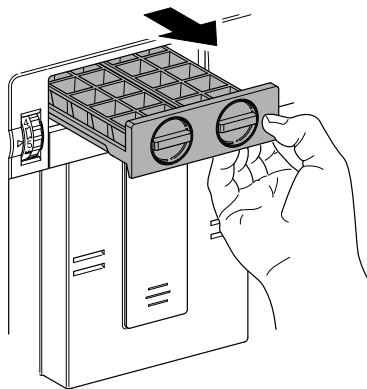
Storing vegetables with high content of water can generate condensation on the glass shelf. This is a natural phenomenon which does not affect the appliance's operation in any way.

Ice tray

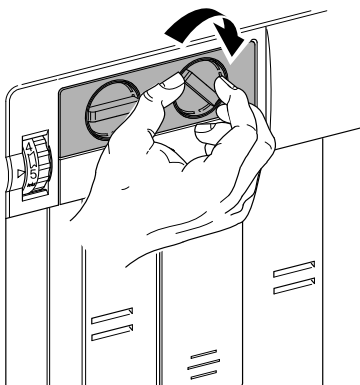


Fill with drinkable water only.

Fill the ice tray with water, which can be cold or at room temperature. Place it horizontally in the freezer.



When ice cubes are ready, rotate the lever to overturn the tray and let them drop in the ice cube pan below.



Do not fill the ice cube pan with water to prevent it from being damaged.



3.5 Using the refrigerator compartment

Arranging food

Arrange food on the various shelves, making sure that they wrapped and covered hermetically. This precaution ensures that:

- the flavour, moisture and freshness of the foods is preserved;
- any contamination of foods with odours or tastes from other foods can be avoided;
- the humidity level inside the refrigerator is prevented from becoming too high as a result of the normal transpiration of food (especially fresh fruit and vegetables). In some operating conditions (rise in ambient temperature and humidity, more frequent opening of the door) this might cause condensation to form on the shelves.



Always allow hot foods and drinks to cool to room temperature before putting them in the appliance.

Storage life table

Foodstuff	Time
Eggs, smoked meats, marinated foods, cheese	max 10 days
Root vegetables	max 8 days
Butter	max 7 days
Pastries, fruit, ready meals, fresh meat	max 2 days
Fish, minced meat, seafood	max 1 day

3.6 Using the freezer compartment

To keep and freeze foods properly:

- pack fruit and vegetables in portions of no more than 1 kg; meat and fish in portions of up to 2 kg.
- small packages freeze quickly which means that the foods' nutritional properties are preserved better, including after defrosting/preparation.
- To freeze small amounts of food it is not necessary to set the thermostat of the freezer to the maximum position.
- package foods in hermetically sealed packages, expelling air as much as possible.
- The maximum amount of food that can be frozen within 24 hours is indicated in the dedicated plate: do not exceed that limit in order not to reduce efficiency of the freezer.
- For optimal freezing capacity of the appliance, the freezer thermostat knob should be kept on the maximum position for 24 hours before introducing fresh food.
- Do not use paper bags or shopping bags, use the suitable freezer bags/containers.



Always allow hot foods and drinks to cool to room temperature before putting them in the appliance.



Frozen foods storage life table

Foodstuff	Time
Fruit, beef	max 10-12 months
vegetables, veal, poultry	max 8-10 months
Game	max 6-8 months
Pork	max 4-6 months
Mince	max 4 months
Bread, desserts, cooked foods, oily fish	max 3 months
Offal	max 2 months
Sausages, lean fish	max 1 month

Defrosted foods

Food must be consumed as soon as possible once defrosted. Freezing foods preserves them, but it does not destroy any micro-organisms, which are activated after thawing, damaging the foods.

If possible, do not re-freeze partially or fully defrosted food, since partial defrosting lowers the nutritional value of food, above all of fruit, vegetables and ready meals.

If odour and appearance of defrosted food result unchanged, this can be eaten if cooked.

Depending on the type of food and the intended use, correct defrosting can be made at ambient temperature, or in the refrigerator compartment.

3.7 Noises during operation

The refrigerator and freezer compartments are cooled by means of a compression system. In order to maintain the preset temperature inside the refrigerator and freezer compartments, the compressor comes into operation in response to the level of cooling required, and may operate continuously if necessary. When the compressor starts to function, it creates a buzzing noise which generally diminishes in intensity after a few minutes.

Another normal operating noise of the appliance is a gurgling due to the coolant flowing through the pipes in the circuit. This noise is normal and does not indicate an appliance malfunction. If it becomes too loud, this may mean that there are other causes. Checks must then be made to ensure that:

- The refrigerator is properly levelled on the floor and does not vibrate when the compressor is in operation: if this is not the case, adjust the appliance's feet until it is level;
- The drawers, shelves and trays on the door are correctly positioned in their holders: if they are not, put them in correctly;
- Bottles and containers on the various shelves are stable and not touching each other: otherwise, the vibration resulting from compressor operation could generate noise;
- Do not place the fridge in such a way that it is in contact with furniture or other household appliances.



3.8 Heated front surface

There is a front surface heating system inside the cabinet to limit the formation of condensation around the door seal.

3.9 Turning the appliance off

Whenever the appliance is to remain unused for long periods, it should be switched off.

1. Unplug the appliance from the wall socket.
2. Empty the compartments.
3. Let the appliance defrost independently and remove the residual accumulated moisture with a soft cloth.



- Leave the door ajar to ensure that moisture and stagnant air do not cause unpleasant odours.
- Wait at least 5 minutes before restarting the appliance or plugging it in so as not to damage the compressor.

3.10 Food storage advice

Practical energy saving advice

- Correct use of the appliance, correct packaging of foodstuffs, a constant temperature and food hygiene have significant effects on the quality of storage.
- Reduce the number of times that the doors are opened and the length of time they remain open to prevent the compartments from heating up excessively.
- Clean the condenser on the back of the appliance periodically to prevent its efficiency from being reduced.
- Defrost frozen food in the refrigerator compartment in order to make use of the cold stored in the frozen foods.

General advice

- Always check the expiry date on the food packaging.
- The foodstuffs must be stored in closed or pre-packaged containers and must not be able to emit or absorb moisture and odours.
- Remove perishable products from the appliance if you are going away for a long period.
- Do not eat food with an anomalous appearance or smell.
- If power supply is missing, open the doors of the appliance as seldom as possible, so as to avoid thawing or warming up, even partial, of food, which would lower their nutritional value.
- Climatic conditions, temperature of fresh food introduced into the compartments and frequency with which the doors are opened, affect the appliance operating temperatures.



Refrigerator compartment door

- Keep eggs, butter, cheese etc. in the upper and central parts.
- Keep drinks, bottles, cans etc. in the lower part.

Refrigerator compartment

- Keep preserves, wine, biscuits etc. in the upper part.
- Keep dairy products, ready meals, pastries, fruit juices, beer etc. in the central part.
- Keep meats, cold cuts etc. in the lower part.
- Keep fresh and tropical fruit, vegetables, root vegetables, onions, etc. in the fruit and vegetable drawer.

Freezer compartment

- The type of food, quantity and date of freezing should be marked on the container/packaging.
- When purchasing deep-frozen food, check that the package is not damaged and that the expiry date has not been exceeded.
- Make sure that temperature at which deep-frozen food is conserved at the store is not above -18°C .
- Protect the purchased deep-frozen food placing it into suitable insulated containers during transport from the store to avoid defrosting; a temperature increase might lower storage time and affect quality.
- Do not purchase deep-frozen food covered with too much frost; it might already have been thawed.
- Use small containers, if possible already cold.

- The quantity of fresh foods which can be frozen at the same time is listed on the nameplate inside the refrigerator compartment.
- Use suitable freezer bags, tinfoil, cling-film for use with food, and freezer containers.
- Do not use paper bags, cellophane for non-food use, shopping bags or pre-used freezer bags.
- Avoid frozen food coming into contact with fresh food to be frozen.
- Keep bagged frozen vegetables, ice, ice cream etc.



In the case of power failure, the freezer compartment maintains its temperature for around 18 hours.



4 Cleaning and maintenance

4.1 Instructions



Improper use Risk of damage to surfaces

- Do not use steam jets to clean the appliance.
- Do not use cleaning products containing chlorine, ammonia or bleach on parts made of steel or that have metallic surface finishes (e.g. anodizing, nickel- or chromium-plating).
- Do not use abrasive or corrosive detergents (e.g. scouring powders, stain removers and metallic sponges) on glass parts.
- Do not use rough or abrasive materials or sharp metal scrapers.



Power voltage Danger of electrocution

- Turn off the appliance and unplug it from the mains before cleaning or maintenance.
- Do not pull the cable to remove the plug.
- Do not bend or twist the power supply cable.

4.2 Cleaning the appliance

A special antibacterial protection on the appliance's interior walls prevents bacterial growth and keeps them clean. They must nevertheless be cleaned regularly in order to keep them in good condition.

Cleaning the outside of the appliance

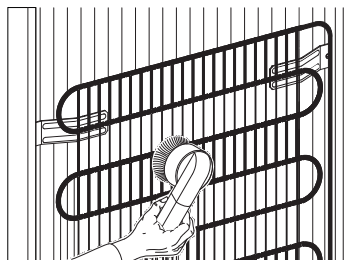
- The appliance may be cleaned with water or alcohol-based liquid detergents (e.g. window cleaning products).
- Do not use aggressive detergents and rough sponges in order not to damage the surfaces, use a soft cloth.
- Use a soft brush to remove dust and fume deposits from the condenser on the rear of the appliance.
- Clean the tank below the compressor.

Cleaning the inside of the appliance

- Clean the inside of the appliance with diluted liquid detergent and warm water, adding a little bit of vinegar.
- The door balconies and shelves can be removed: tap them upwards with your fist, first on one side and then on the other in the insertion zone.
- Do not use sharp objects or spray solutions to remove excess ice build-up;
- Avoid contact with water or detergents and electrical parts or the lighting system.
- After washing the components, dry them thoroughly.



Cleaning and maintenance



To improve energy savings and efficiency of the appliance, periodically clean the condenser, located in the rear area, using a broom, a vacuum cleaner or a cloth.


4.3 Defrosting

i Occasional presence of frost inside the freezer compartment is normal.

Defrosting the refrigerator compartment

The refrigerator compartment does not require defrosting, as any ice which forms on the refrigeration plate will melt when the compressor is idle. The defrosting process is automatic.

Defrost water is channelled directly into the dedicated pan on the back of the appliance, which lets it evaporate by means of the heat generated by the compressor.

 Do not use electrical devices (e.g. hair dryers) or sprays for defrosting, the plastic parts could be damaged.

4.4 Replacing the lamp

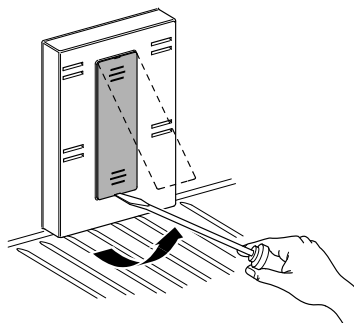


Power voltage
Danger of electrocution

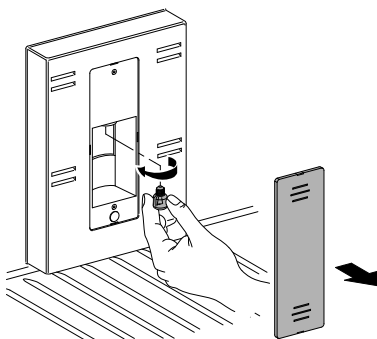
- Turn off the appliance and unplug it from the mains before replacing the bulb.

Freezer lamp replacement

The freezer lamp is below the freezer thermostat; to replace:



1. Remove the protective panel using a screwdriver.



2. Replace the lamp with one of the same type.

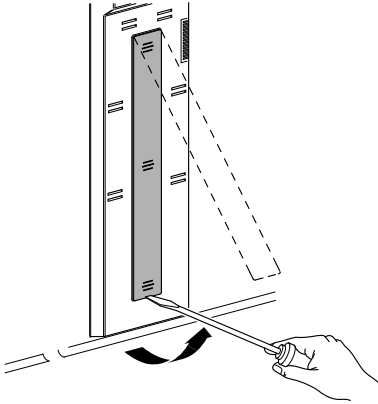


Only use C25-E14 LED bulbs,
max. 1.5 W.

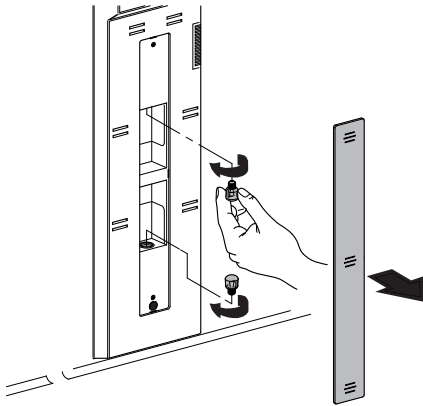


Refrigerator lamp replacement

The refrigerator lamp is below the refrigerator thermostat; to replace:



1. Remove the protective panel using a screwdriver.



2. Replace the lamp(s) using the same type of lamp(s).



Only use C25-E14 LED bulbs, max. 1.5 W.



After lamp replacement, wait for 5 minutes before plugging in the plug.

4.5 What to do if...

The appliance does not work:

- Make sure that the appliance is plugged in and that the main switch is turned on.

The compressor starts to function too often or functions continuously:

- The room temperature is too high.
- The door is being opened too often or for too long.
- The door is not closing/sealing properly.
- The freezer is loaded with too many fresh foods.
- Check that sufficient air can circulate around the sensor on the right-hand side of the refrigerator compartment.
- Check that the back of the freezer is properly ventilated and that the condenser is not too dirty.

Excessive ice or condensation has built up inside the refrigerator compartment:

- The door is being opened too often or for too long.
- Fresh food (fruit and vegetables) has been placed inside the refrigerator compartment.
- Food not properly covered or stored in hermetically closed containers.
- The foodstuffs or containers are in contact with the rear wall.
- The door seal is damaged or dirty. To clean the seal use lukewarm water and then dry it.

Water is forming inside the refrigerator compartment:

- The drainage channel or opening is blocked.



Cleaning and maintenance

The refrigerator compartment is not sufficiently cold:

- The thermostat is set at too high a temperature.
- The door is being opened too often or for too long.
- The door is not closing/sealing properly.
- The room temperature is too high.

The temperature inside the refrigerator compartment is too cold and the foodstuffs are freezing.

- The thermostat is set at too low a temperature.
- Food not contained in suitable containers or bags.
- Fruit and vegetables might be too wet.
- Foodstuffs placed against the rear wall of the refrigerator compartment.

Temperature inside freezer compartment not low enough to freeze foods properly:

- The thermostat is set at too high a temperature.
- The door is being opened too often or for too long.
- The door is not closing/sealing properly.
- The door seal is damaged or dirty. Clean or replace it.
- The food to be frozen contains large quantities of sugar.

Excessive ice has built up inside the freezer compartment:

- The thermostat is set at too low a temperature.
- The room temperature is too high.
- The door is being opened too often or for too long.
- The door is not closing/sealing properly.
- The door seal is damaged or dirty. Clean or replace it.
- Hot foods have been placed inside the freezer compartment.

Doors are hard to open just after closing:

- If you attempt to open the door again just after closing it (especially the freezer door), considerable strength is required. This is due to the vacuum created by the cooling of the warm air which has entered the freezer.

The doors are misaligned:

- Check that the appliance is level.
- Level the appliance using its feet.



5 Installation

5.1 Electrical connection



Power voltage
Danger of electrocution

- The appliance must be connected to ground in compliance with electrical system safety standards.
- Do not pull the cable to remove the plug.
- Do not perform the electrical connection with wet hands.

General information

- Check the mains characteristics against the data indicated on the plate. The identification plate bearing the technical data, serial number and brand name is visibly positioned inside the appliance. Do not remove this plate for any reason.
- Do not bend or twist the power supply cable and do not use a damaged cable.
- Make sure that the plug and socket are of the same type.
- Avoid using adapters, gang sockets or extensions as these could cause overheating and a risk of burns.
- The plug must always be accessible when the appliance is installed.
- Leave the appliance standing vertically for at least two hours before turning it on for the first time.
- If it is necessary to replace the power cable, **this must be performed by an authorised technician from Technical Support Service.**

5.2 Positioning



Heavy appliance
Crushing hazard

- Position the appliance with the aid of a second person.



Pressure on the open door
Risk of damage to the appliance

- Never use the open door to lever the appliance into place when fitting.
- Avoid exerting too much pressure on the door when open.
- The appliance must not be exposed to direct sunlight.
- The appliance must not be installed near heat sources. If this is not possible, suitable insulation must be used.
- Do not use the appliance outdoors.

Choice of location

Always install the appliance in a dry place with satisfactory ventilation. Depending on its climate class (stated on the nameplate inside the refrigerator compartment), the appliance can be used in different temperature conditions.

- Install the appliance at least 5 cm away from electrical or gas cookers and at least 50 cm away from combustion heaters or radiators.
- The appliance must not be installed near heat sources. If this is not possible, suitable insulation must be used.
- If installed underneath wall units, at least 15 cm clearance must be left.



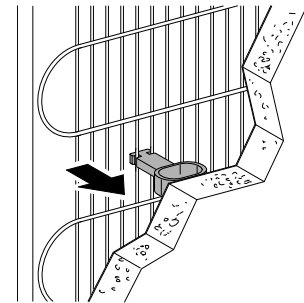
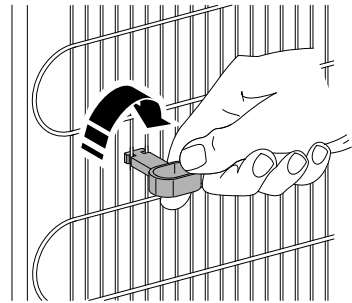
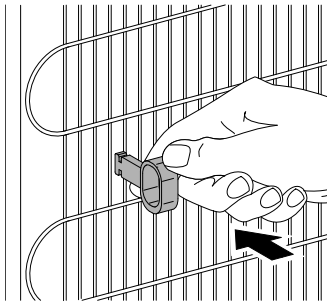
Installation

- Ensure that the appliance is located with sufficient space for the door to open and for the internal drawers and shelves to be removed, if necessary.

Class	Room temperature
SN (Subnormal)	+ 10°C to + 32°C
N (Normal)	+ 16°C to + 32°C
ST (Subtropical)	+ 18°C to + 38°C
T (Tropical)	+ 18°C to + 43°C

Spacers

To ensure proper cooling of the condenser, the appliance must not be placed too close to the wall. To avoid this, the product is equipped with two plastic spacers, which must be positioned on the back of the appliance.



Positioning

Position the appliance on a firm, level surface.

The appliance features two small wheels **(2)** on the back or front to allow it to be moved and therefore positioned more easily.

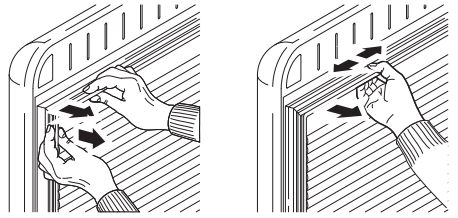
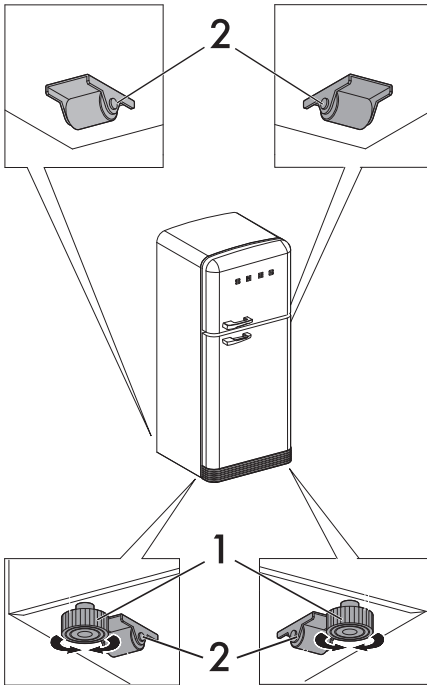
In any case, we recommend moving the appliance very carefully in order to avoid damaging the floor (especially in the case of wooden floors).

If the floor is not perfectly level, you can use the two adjustable feet **(1)** on the front part of the appliance.

Installation



Level the appliance horizontally adjusting its feet.



In order for the freezer to be installed correctly, the door must be able to close properly. Ensure that the door seals close hermetically, especially at the corners.



**Pressure on the seal
Risk of damage to the appliance**

- Do not press, do not tear or detach the seal from the door.

Lean the appliance slightly towards the rear part to facilitate proper door closure.

