

Save This Manual
for Future Reference

SEARS

**owner's
manual**

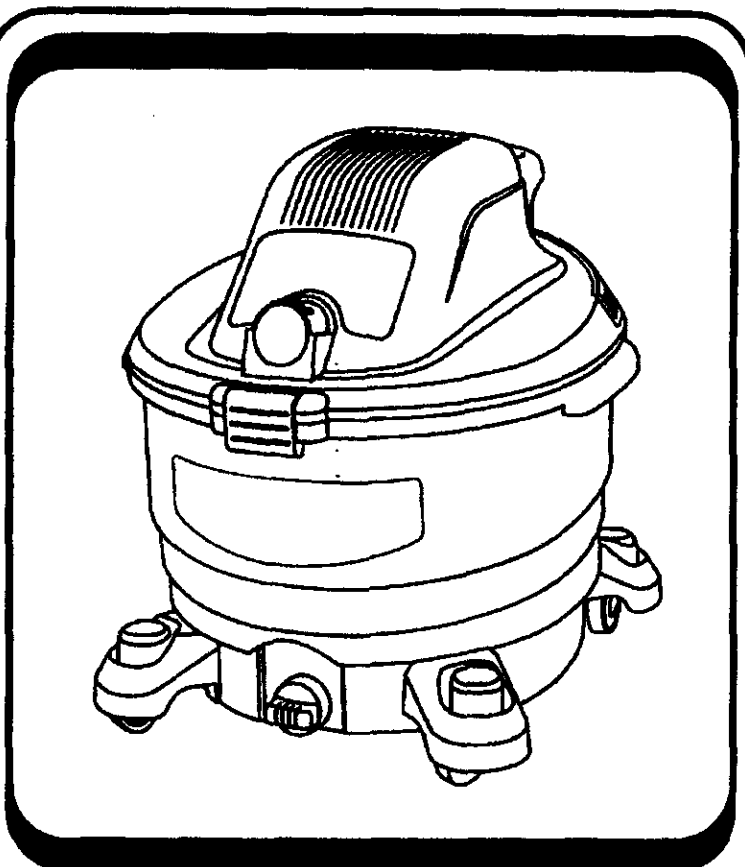
MODEL NO.
113.170160

Serial
Number _____

Model and serial
numbers may be found
under cord wrap
handle. You should
record both model and
serial numbers in a
safe place for future
use.

**FOR YOUR
SAFETY**

**READ ALL
INSTRUCTIONS
CAREFULLY**



CRAFTSMAN®

**16 GALLON
CONVERTIBLE
WET/DRY VAC**

- assembly
- operating
- repair parts

Sears, Roebuck and Co., Hoffman Estates, IL. 60179 U.S.A.

Part No. SP6205

Printed in U.S.A.

FULL ONE YEAR WARRANTY ON CRAFTSMAN WET/DRY VACS

If within one year from the date of purchase, this Craftsman Wet/Dry Vac fails due to a defect in material or workmanship, Sears will repair it, free of charge.

If this Craftsman Wet/Dry Vac is used for commercial or rental purposes, this warranty coverage applies for only 90 days from date of purchase.

Warranty Service Is Available By Simply Contacting The Nearest Sears Service Center/department Throughout The United States.

This warranty applies only while this product is in the United States.

This warranty gives you specific legal rights, and you may also have other rights which vary from state to state.

Sears, Roebuck and Co., D/817 WA, Hoffman Estates, IL 60179

IMPORTANT SAFETY INSTRUCTIONS

Safety is a combination of common sense, staying alert and knowing how your vac works. Read this manual to understand the vac.

Safety Signal Words

DANGER: means if the safety information is not followed someone will be seriously injured or killed.

WARNING: means if the safety information is not followed someone could be seriously injured or killed.

CAUTION: means if the safety information is not followed someone may be injured.

When using your Wet/Dry Vac, follow basic safety precautions including the following.

WARNING - To reduce the risk of fire, electric shock, or injury:

Read and understand this owner's manual and all labels on the Wet/Dry Vac before operating. Use only as described in this manual. To reduce the risk of personal injury or damage to Wet/Dry Vac, use only Sears Craftsman recommended accessories.

Sparks inside the motor can ignite flammable vapors or dust. To reduce the risk of fire or explosion:

- Do not vacuum, or use this Wet/Dry Vac near, flammable or combustible liquids, gases, or explosive dusts like gasoline or other fuels, lighter fluid, cleaners, oil-based paints, natural gas, hydrogen, coal dust, magnesium dust, grain dust, or gun powder.

- Do not use Wet/Dry Vac as a sprayer.

Do not vacuum anything that is burning or smoking, such as cigarettes, matches, or hot ashes.

Do not vacuum fireplace soot or ash. This is a very fine dust which will not be captured by the filter and may cause damage.

To reduce the risk of health hazards from vapors or dusts, do not vacuum toxic materials.

Do not use or store near hazardous materials.

To reduce the risk of electric shock, do not expose to rain. Store indoors.

Do not allow to be used as a toy. Close attention is necessary when used by or near children.

Do not use this Wet/Dry Vac with a torn filter or without the filter installed except for vacuuming liquids as described in the operation section of this manual.

Do not leave Wet/Dry Vac when plugged in. Unplug from outlet when not in use and before servicing. Turn off Wet/Dry Vac before unplugging.

To reduce the risk of injury from accidental starting, unplug power cord before changing or cleaning filter.

Do not unplug by pulling on cord. To unplug, grasp the plug, not the cord.

Do not use with damaged cord, plug or other parts. If your Wet/Dry Vac is not working as it should, has missing parts, has been dropped, damaged, left outdoors, or dropped into water, return it to a Sears Service Center.

Do not pull or carry by cord, use cord as handle, close a door on cord, or pull cord around sharp edges or corners. Do not run Wet/Dry Vac over cord. Keep cord away from heated surfaces.

Do not handle plug or the Wet/Dry Vac with wet hands.

Do not put any object into ventilation openings. Do not vacuum with any ventilation openings blocked; keep free of dust, lint, hair or anything that may reduce air flow.

Keep hair, loose clothing, fingers, and all parts of body away from openings and moving parts.

To reduce the risk of falls, use extra care when cleaning on stairs.

This Wet/Dry Vac is double-insulated, eliminating the need for a separate grounding system. Use only identical replacement parts. Read the instructions for Servicing Double-Insulated Wet/Dry Vacs before servicing.

Observe the following warnings that appear on the motor housing of your Wet/Dry Vac.

DOUBLE INSULATED
GROUNDING NOT REQUIRED
WHEN SERVICING USE ONLY
IDENTICAL REPLACEMENT PARTS

WARNING: To reduce the risk of electric shock- do not expose to rain-store indoors.

WARNING: For your own safety, read and understand owner's manual. Do not pick up hot ashes, coals, toxic, flammable or other hazardous materials. Do not use around explosive liquids or vapors.

SAVE THESE INSTRUCTIONS

The operation of any utility vac or blower can result in foreign objects being blown into the eyes, which can result in severe eye damage. Always wear safety goggles complying with ANSI Z87.1 (shown on package) before commencing operation. Safety Goggles are available at Sears retail stores.



To reduce the risk of hearing damage, wear ear protectors when using the vac for extended hours or when, using it in a noisy area.

For dusty operations, wear dust mask.

Use only extension cords that are rated for outdoor use. Extension cords in poor condition or that are too small in wire size can pose fire and shock hazards. When using an extension cord, be sure it is in good condition. Using any extension cord will cause some loss of power. To keep the loss to a minimum, use the following table to choose the minimum wire size extension cord.

Extension Cord Length	Gauge (A.W.G.)
0-50 Ft.	14
50-100 Ft.	12

Introduction

This Wet/Dry Vac is intended for household use only.

IMPORTANT NOTE Please Read Carefully

Static Shocks Are Common - In dry areas or when the relative humidity of the air is low. To reduce the frequency of static shocks in your home the best remedy is to add moisture to the air with a console humidifier.

Table of Contents

Item	Page
Warranty Information	2
Safety Instructions	2
Introduction	4
Unpacking and Checking Carton Contents	4
Assembly	5
Operation	8
Maintenance	11
Repair Parts	14

Unpacking and Checking Carton Contents —

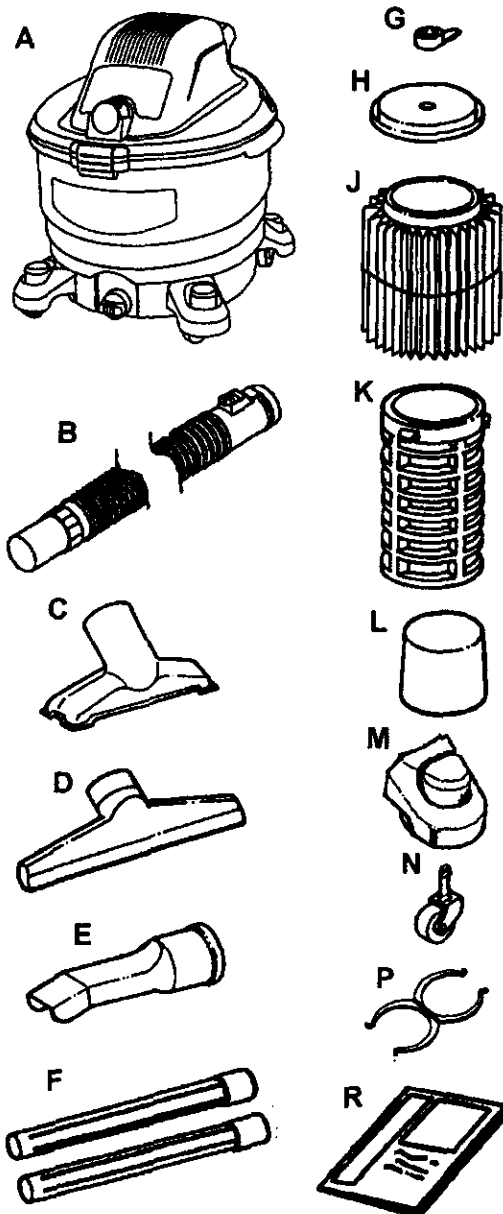
Your new wet/dry vac is partially assembled. Remove the contents from the dust drum and follow the assembly instructions to complete the vac assembly.

Remove entire contents of carton. Check each item against the Carton Contents List. Some units may include accessories not shown. Notify your Sears Store immediately if any parts are damaged or missing.

Carton Contents List

Key	Description	Qty.
A	16 Gallon Wet/Dry Vac.....	1
B	Hose	1
C	Utility Nozzle	1
D	Wet Nozzle.....	1
E	Car Nozzle	1
F	Extension Wands	2
G*	Filter Nut	1
H*	Filter Plate.....	1
J*	Filter (Red Stripe)	1
K*	Filter Cage	1
L*	Float.....	1
M	Caster Foot for Storage.....	4
N	Single Wheel Caster	4
P	Hose Lock	1
R	Owners Manual.....	1

*These items may come preassembled. If they are not present in the carton check the vac power head to see if they are preassembled.



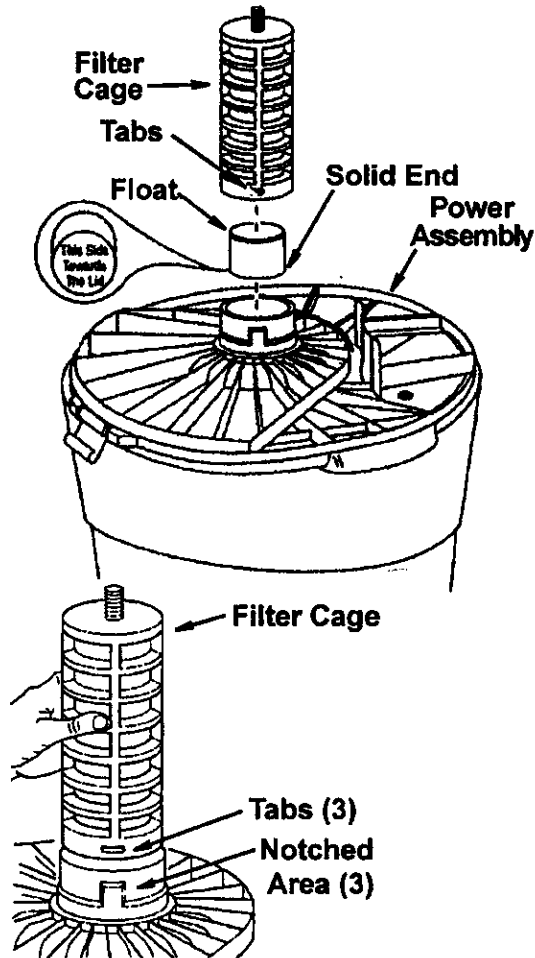
Float/Cage Assembly

WARNING: For your own safety, never connect plug to power source outlet until all assembly steps are complete and you have read and understood the safety and operation instructions. Do not operate vac with any parts damaged or missing.

1. Place the power assembly upside down into the drum.
2. Locate the float. Place the float over the opening in the center of the lid with the words "This Side Towards Lid" laying face down over the hole.

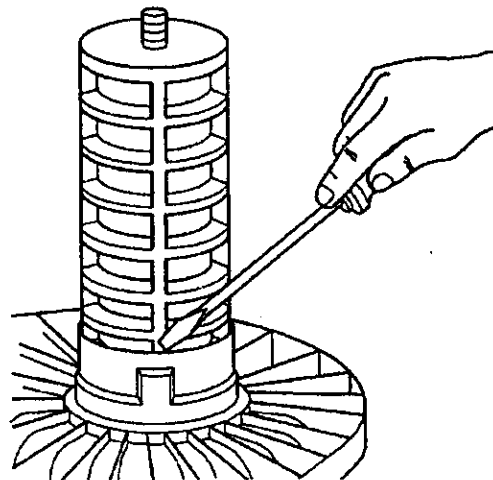
WARNING: To reduce the risk of personal injury or damage to vac be sure to keep hands, fingers, or any other foreign objects out of the center opening when assembling the float.

3. Line up filter cage tabs with the notches in the center ring of the lid.
4. Push on the filter cage until the tabs snap into the notches for a secure fit.



Removing Filter Cage

If filter cage needs to be removed, because the float is placed in the wrong way, use a flat blade screwdriver and insert the blade between the filter cage and the center ring of the lid. Pry the cage out of the lid. Tilt the cage and lift away from the lid. To replace, follow float/cage assembly instructions.



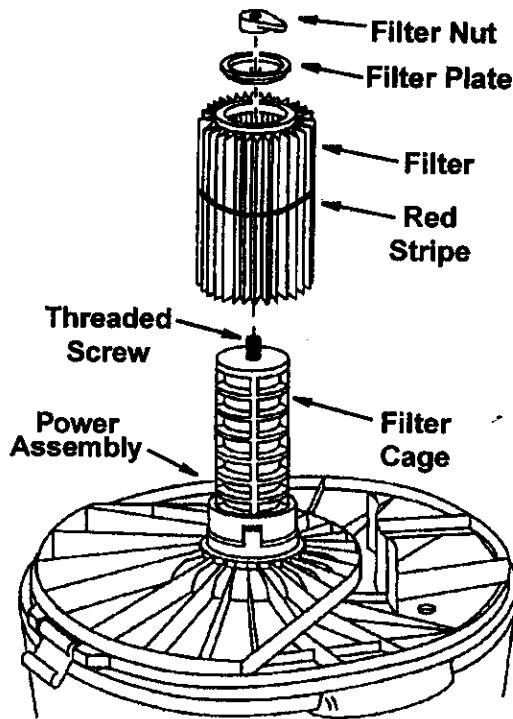
Filter Assembly

1. Locate the filter, filter plate and filter nut.
2. Carefully slide the filter over the filter cage, sliding it over the center ring covering the 3 notched areas until the filter stops against the lid.
3. Place the hole in the filter plate over threaded screw of the filter cage.
4. Gently push on the filter plate to seat the rubber ring of the filter inside the circular channel of the filter plate.
5. Place filter nut onto threaded screw and tighten it down. Finger tighten only.

NOTE: Lever of filter nut should be away from plate as shown.

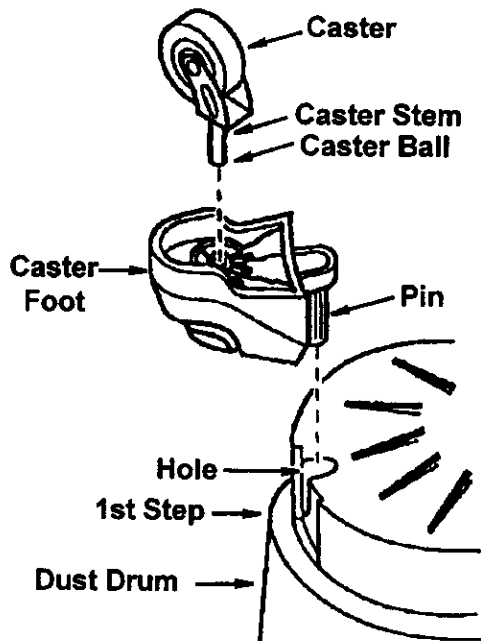
IMPORTANT: Do not overtighten as this may deform or crack the filter plate, filter cage or the filter.

NOTE: Your filter has a red stripe that matches an in-store displayer. When you visit your local Sears store, just remember the color of your stripe for the correct size filter.



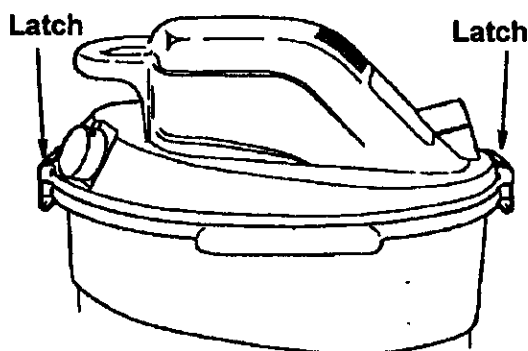
Caster/Caster Foot Assembly

1. Remove the power assembly from the dust drum and set aside.
2. Turn the dust drum upside down on the floor.
3. Insert the caster feet into the bottom of drum, as shown (4 places).
4. Push on the caster foot until the foot rests against the first step of the dust drum.
5. Insert the caster stem into the socket of the caster foot, as shown (4 places).
6. Push on the caster until the ball on the caster stem is inserted all the way into the socket. You will hear the ball snap into the socket and the caster will swivel easily when positioning is correct.
7. Turn the drum upright.

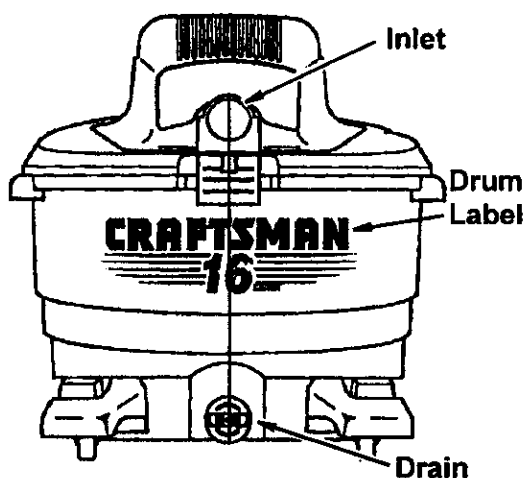


Vac Assembly

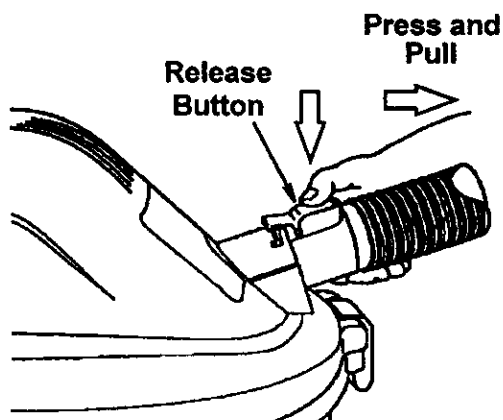
1. Locate the power assembly and the drum assemblies (assembled earlier).
2. Position the power assembly with the inlet of the unit located in line with the drain cap and the drum label on the vac. Allow the assembly to rest on the vac drum.
3. Rotate both latches down until you hear the latches snap over the lip of the drum.



NOTE: For best appearance of the unit, the inlet of the vac should be located above the drain.



4. Insert the push button end of the hose assembly into the inlet of the vac. The hose should snap into place. To remove the hose from the vac press the release button in the hose assembly and pull the hose out of the vac inlet.



5. Place the utility nozzle securely on the swivel end of the hose and the vac is ready for use.

Operation

WARNING

To reduce the risk of fire or explosion, do not operate this vac in areas with flammable gases or flammable vapors such as lighter fluid, cleaners, oil-base paints, gasoline, alcohol or explosive dust such as coal, magnesium, grain or gun powder in the air. Do not vacuum explosive dust, flammable or combustible liquids or hot ashes. Do not use this vac as a sprayer. To reduce the risk of health hazards from vapors or dusts, do not vacuum toxic materials. To reduce the risk of electrical shock do not expose to rain. Store vac indoors. Unplug power cord before changing or cleaning filter or emptying the dust drum.

CAUTION: To reduce the risk of hearing damage wear ear protectors when using the vac or blower for extended hours or when using it in a noisy area. The operation of any utility vac or blower can result in foreign objects being blown into the eyes, which can result in severe eye damage. Always wear safety goggles complying with ANSI Z87.1 (shown on Package) before commencing operation. Safety Goggles are available at Sears retail stores.

To reduce the risk of electric shock, this appliance has a polarized plug (one blade is wider than the other). This plug will fit in a polarized outlet only one way. If the plug does not fit fully in the outlet, reverse the plug. If it still does not fit, contact a qualified electrician to install the proper outlet. Do not change the plug in any way.

After you plug the power cord into the outlet, turn the unit on by pushing the switch from position "O" to position "I". The symbols used on the motor cover are international "On & Off" symbols. "O" is the symbol for "OFF" and "I" is the symbol for "ON".

O = OFF | = ON

Vacuuming Dry Materials

1. The filter must be in correct position at all times to reduce the risk of leaks and possible damage to vac.

2. When using your vac to pick up very fine dust, it will be necessary for you to empty the drum and clean the filter at more frequent intervals to maintain peak vac performance.

NOTE: A dry filter is necessary to pick up dry material. If you use your vac to pick up dust when the filter is wet, the filter will clog quickly and be very difficult to clean.

3. If your filter is wet but you need to use the vac to pick up dry material, you can quickly dry the filter by running the vac without hose attached for about 10 minutes. The clean air rushing through the vac will help dry the filter.

The optional Craftsman Fine Particle Filter, stock number 9-17916 will do a better job stopping the very fine particles than the 9-17816 filter. This filter will stop 99.99% of all particles as small as .75 micron.

Vacuuming Liquids

1. When picking up small amounts of liquid the filter may be left in place.
2. When picking up large amounts of liquid we recommend that the filter be removed. If the filter is not removed, it will become saturated and misting may appear in the exhaust.
3. After using the vac to pick up liquids, the filter must be dried to reduce the risk of possible mildew and damage to the filter.

4. When the liquid in the drum reaches a predetermined level, the float mechanism will rise automatically to cut off airflow. When this happens, turn off the vac, unplug the power cord, and empty the drum. You will know that the float

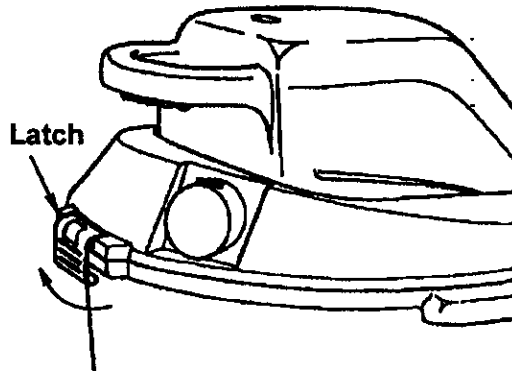
has risen because vac airflow ceases and the motor noise will become higher in pitch, due to increased motor speed.

IMPORTANT: To reduce the risk of damage to the vac do not run motor with float in raised position.

Emptying Dust Drum

WARNING: To reduce the risk of injury from accidental starting, unplug power cord before emptying the drum.

1. To remove the power assembly to empty contents of the dust drum, simply lift the two drum latches at the front and rear of the dust drum and lift the lid assembly up and off the dust drum and set to the side. **NOTE:** Lift the power assembly by the latches.
2. Lay the power assembly upside down on a clean dry area while emptying the drum or changing the filter.
3. Dump the drum contents into the proper waste disposal container.



4. If the contents are liquid, you may dispose by using the drain provided in the drum for easy emptying. Simply unscrew the drain cap and allow the liquid to drain completely out of the vac drum.

WARNING: To reduce the risk of back injury or falls, do not lift a vac heavy with liquid or debris. Scoop or drain enough contents out to make the vac light enough to lift comfortably.

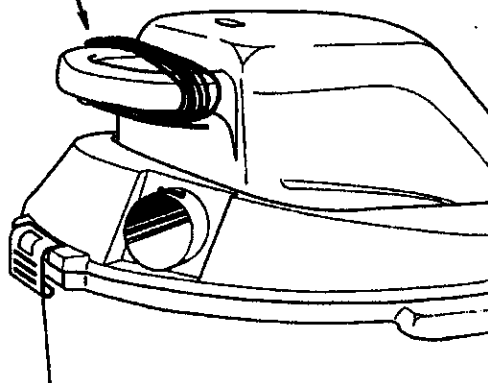
Cord Wrap

When vacuuming is complete, unplug the cord and wrap it around the handle on the back of the power assembly.

Hose Storage

Lock the "Pos-I-Lock"™ hose into the inlet of the vac and insert the opposite end of the hose into the blowing port in the back of the vac, or wrap the hose around the motor cover of the vac and clip the hose lock to two ends of the hose.

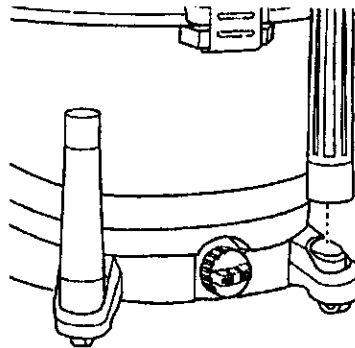
Cord Wrap Area



Operation (continued)

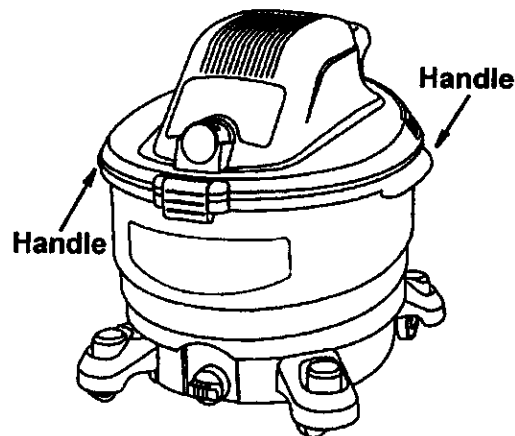
To Store Your Accessories

1. Slide extension handles and accessories onto the posts of the caster feet for storage.
2. To remove the accessories, lightly rotate and pull upward.



Moving the Vac

Should it become necessary to pick the vac up to move it, use the handles on the sides of the dust drum.



Blowing Feature

Your new Craftsman wet/dry vac features "Switchable Blowing" using the "Pos-I-Lock"™ hose feature.

"Switchable Blowing" allows you to use your vac for either suction or blowing. Normal use of your wet/dry vac is to use the vac for cleaning up dirt and debris. With this new feature, your vac is quieter because the blowing port is closed while the unit is used for vacuuming. The blowing air is exhausted through the exhaust filter access door.

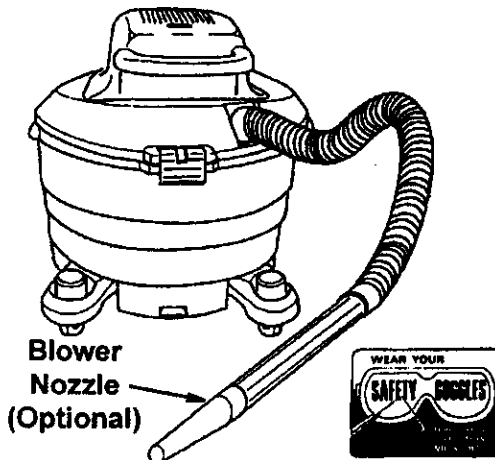
WARNING: Always wear safety goggles complying with ANSI Z87.1 before using as a blower.

WARNING: To avoid injury to bystanders, keep them clear of blowing debris.

If you wish to convert from suction to blowing.

Simply press the locking tab on the hose and remove the hose from the inlet port. Insert the hose in the blowing port on the rear of the vac and your vac is ready to use as a blower.

To obtain more air movement with this blowing feature, purchase a 9-16933 "Blower Nozzle" and the force of air will move the debris better.



Maintenance

WARNING: To reduce the risk of injury from accidental starting, unplug power cord before changing or cleaning filter.

Cleaning Vac Filter

Your filter should be cleaned often to maintain peak vac performance.

Be sure to dry the filter before storing or picking up dry debris.

IMPORTANT: After cleaning, check the filter for tears or small holes. Do not use a filter with holes or tears in it. Even a small hole can cause a lot of dust to come out of your vac. Replace it immediately.

NOTE: This filter is made of high quality paper designed to stop very small particles of dust. The filter can be used for wet or dry pick up. Handle the filter carefully when removing to clean or installing it. Creases in the filter pleats may occur from installation but creases will not affect the performance of the filter.

Removal

To remove the filter for cleaning or replacement, remove filter nut from the screw on the filter cage, remove filter plate and lift off filter.

IMPORTANT: To reduce the risk of damage to the blower wheel and motor, always reinstall the filter before using the vac for dry material pickup.

CAUTION: Do not remove the filter cage or float. It is there to shut off air-flow when the drum is full of liquids.

Dry Filter

1. Some removal of dry debris can be accomplished without removing the filter from the vac by slapping your hand on top of the lid while the vac is turned off.
2. For best results of cleaning due to accumulated dust, clean the filter in an open area. Cleaning SHOULD be done outdoors and not in the living quarters.
3. After filter removal from vac, remove the dry debris by gently tapping the filter

against the inside wall of your dust drum and the debris will loosen and fall.

4. For thorough cleaning of dry filter with fine dust (no debris), you may run water through it as described under "Wet Filter".

Wet Filter

After filter is removed, run water through the filter from a hose or spigot. Take care that water pressure from the hose is not strong enough to damage filter. Remember: To dry a filter quickly, reinstall the filter on the vac and allow the unit to run for approximately 10 minutes. The clean air rushing through the filter will dry it.

Installation

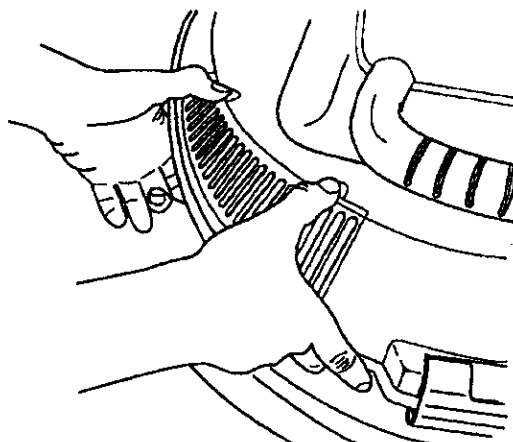
Refer to "Filter Assembly".

Allow the filter to dry before reinstalling and storing the vac.

Cleaning Exhaust Pad

To clean the exhaust pad located behind the exhaust access door, press the two tabs on the access door and remove the access door.

1. Remove the foam pad and clean using mild soap and water.
2. Dry the foam pad before placing it back into the vac.
3. Replace the foam pad to the original location.
4. Replace the exhaust access door.



Maintenance (continued)

Wet/Dry Vac

To keep your Wet/Dry Vac looking its best, clean the outside with a cloth dampened with warm water and mild soap.

To clean the drum:

1. Dump debris out.
2. Wash drum thoroughly with warm water and mild soap.
3. Wipe out with dry cloth.

WARNING: To assure product **SAFETY** and **RELIABILITY**, repairs and adjustment should be performed by **Sears Service Centers**, always using **Sears replacement parts**.

NOTE: If your casters are noisy, you may put a drop of oil on the roller shaft to make them quieter.

Wet Nozzle

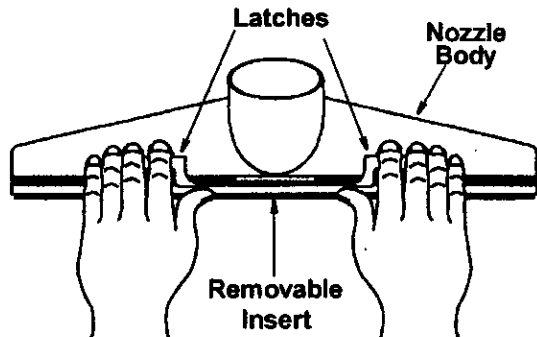
To pick up liquids off a smooth surface, use the 2-1/2" wet nozzle accessory supplied with your wet/dry vac. To use this nozzle, simply attach the nozzle to the end of an extension wand.

Connect a second extension wand to the first, and connect the 2-1/2" x 7' hose to the extension wand.

Liquids may be picked up by dragging the nozzle across the surface. The squeegee will dry the surface as you vacuum.

Replacement rubber for the squeegee nozzle may be obtained through Sears Parts. If the rubber becomes worn, it may be flipped over for use on the opposite side or replaced. (Replacement service part #822256). To reverse or replace the squeegee:

1. Lay the wet nozzle on a flat surface with the round inlet opening facing up and the two latches close to you as shown.

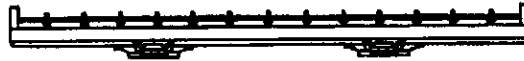


2. Using both hands, position each thumb on the removable insert, (below the latches) and two fingers of each hand on each latch, lift and disengage the two latches from the tabs on the nozzle body.
3. Gently pull the latches toward yourself to remove the insert.

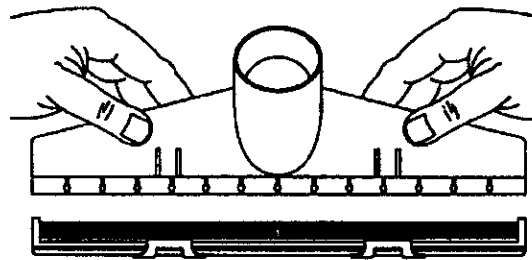
To reinstall the removable insert correctly, follow these steps:

1. Place the removable insert on a flat surface with the pins positioned upward and the latches close to you as shown. Place the rubber squeegee on the insert, with the pins fitting through the matching holes in the squeegee. (Make sure the new working edge is located

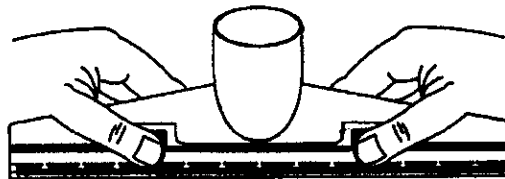
farthest from you.)



2. Using both hands, lower the nozzle body onto the insert and squeegee with the round opening of the nozzle closest to you. With fingers on the far side and thumbs holding the latches of the removable insert, flip the nozzle over so the latches are on the top and the round inlet opening is facing away from you. Make sure the squeegee stays on the insert pins.

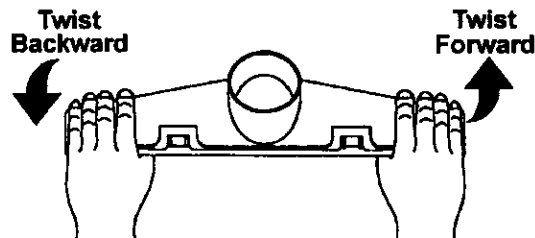


3. Press down with each thumb below the latching tabs until you see and hear the removable insert snap into the nozzle body. Snap the latches over the locking tabs into their original position.



4. Inspect the pins of the insert to make sure they fit through the holes of the squeegee and fit into the matching slots in the nozzle body.

NOTE: If the pins are out position, hold the nozzle assembly with both hands and gently twist in opposite directions. The insert pins should snap into proper position.



The wet nozzle assembly is ready for wet pickup use.


Repair Parts

16 Gallon Wet/Dry Vac Model Number 113.170160

Always order by Part Number - Not by Key Number

WARNING

SERVICING OF DOUBLE-INSULATED WET/DRY VAC

In a double-insulated Wet/Dry Vac, two systems of insulation are provided instead of grounding. No grounding means is provided on a double-insulated appliance, nor should a means for grounding be added. Servicing a double-insulated Wet/Dry Vac requires extreme care and knowledge of the system, and should be done only by qualified service personnel. Replacement parts for a double-insulated Wet/Dry Vac must be identical to the parts they replace. Your double-insulated Wet/Dry Vac is marked with the words "DOUBLE INSULATED" and the symbol  (square within a square) may also be marked on the appliance.

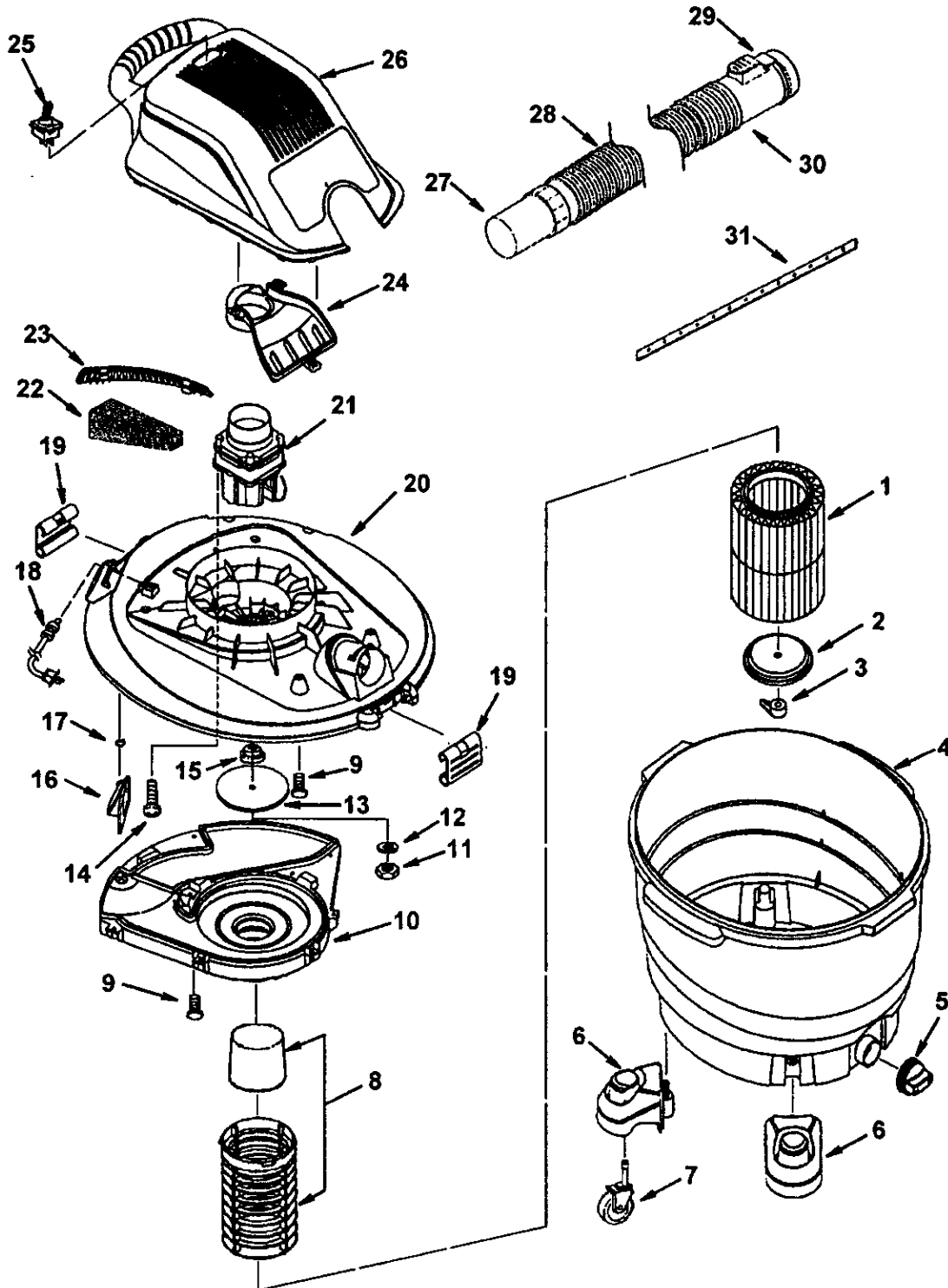
Key No.	Part No.	Description	Key No.	Part No.	Description
1	9-17816	† Filter (Red Stripe)	17	826808	Spring
2	9-16937	† Filter Plate	18	822467-5	Cord w/Plug
3	9-16938	† Filter Nut	19	826387	Latch Drum
4	826286	Drum	20	826777	Lid
5	73185	Cap Drain	21	826806	Motor
6	826771	Foot Caster	22	826809	Pad Foam
7	29776	Caster	23	826774	Door Access
8	509238	Cage Filter/Float	24	826773	Duct Exhaust
9	STD611007	* Screw Pan Hd. Ty AB 10 x 3/4	25	73180	Switch Toggle
10	826772	Plate Collector	26	826776	Cover Motor
11	826817	Nut Hex Flange Lock 5/16-18	27	815096	Adapter Hose
12	15534-1	Washer	28	826819	Hose Asm (Includes Keys 27, 29 & 30)
13	818413	Wheel Blower	29	826784	Latch Hose Adapter
14	STD611011	* Screw Pan Hd. Ty AB 10 x 1-1/4	30	826775	Adapter Hose Lock
15	818961	Spacer	31	822256	Squeegee
16	826770	Door Blowport	—	SP6205	Owners Manual (Not Illustrated)

* Standard Hardware Item - May be purchased locally

† Stock Item - May be secured through the hardware department of most Sears retail stores.

Repair Parts

16 Gallon Wet/Dry Vac Model Number 113.170160



CRAFTSMAN®

Accessories and Attachments

Get more versatility from your Craftsman wet/dry vacuum by adding these accessories.

Additional wet/dry vac accessories may be purchased at your local Sears retail store



16930 Hose Lock



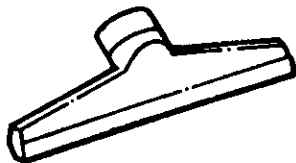
16964 Extension Wands



16935 Gutter Nozzle



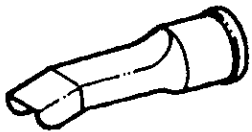
16922 Utility Nozzle



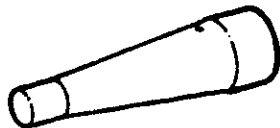
17817 Wet Nozzle



16925 Dry Nozzle



16978 Car Nozzle



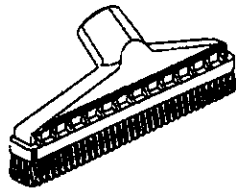
16933 Blower Nozzle



16902 Crevice Tool



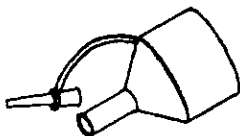
16934 Hose Grip



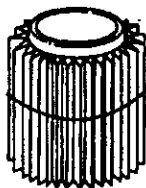
16926 14" Floor Brush



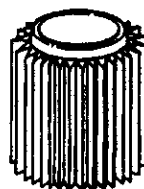
16901 Dusting Brush



16947, 16948 Inflator Nozzle



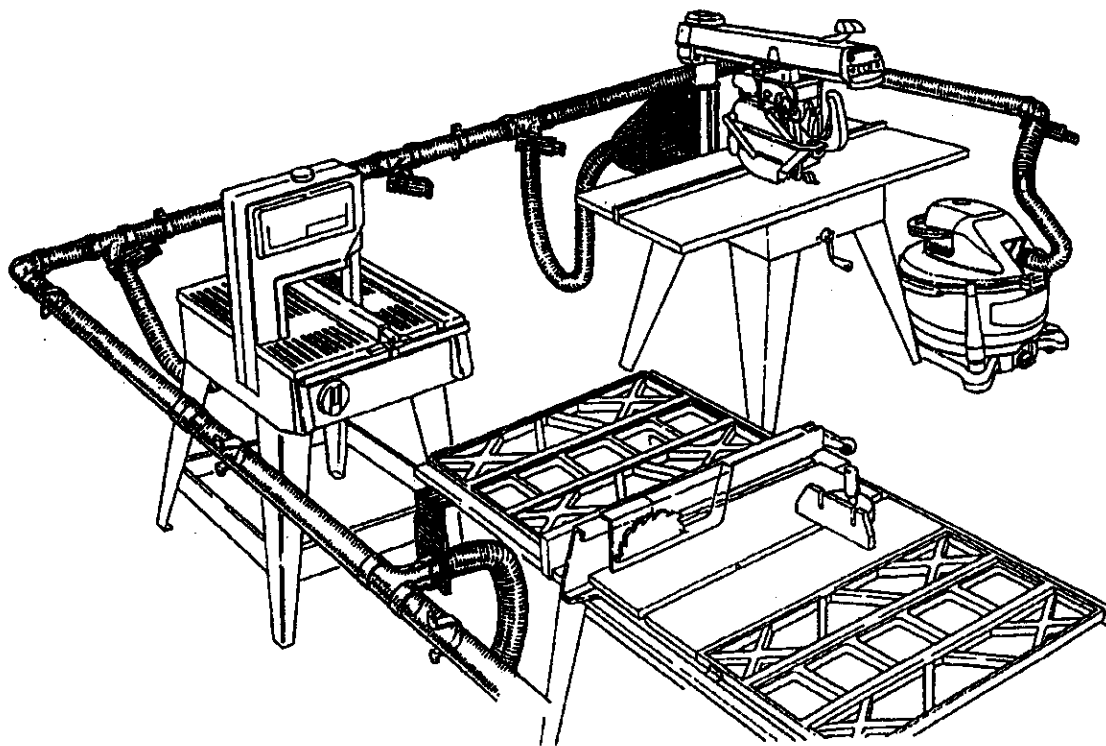
17816 Paper Pleated Filter



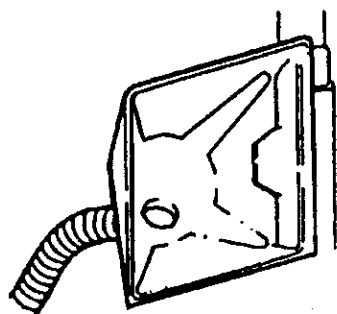
17916 High Efficiency Filter

NOTE: Most Accessories Are Available In 2-1/2 Inch And 1-1/4 Inch Sizes

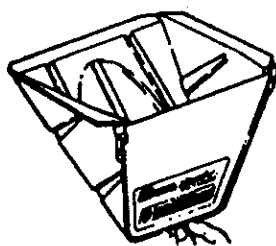
Sawdust Collection Series



**Whole-shop Sawdust Manifold-Type Collection System
29964**



**Radial Arm Saw
Dust Collection Kit
29963**



**Table Saw Dust
Collection Kit
29962**

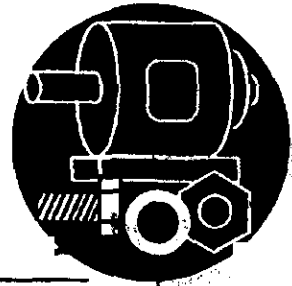
Notes ---

For the repair or replacement parts you need

Call 7 am - 7 pm, 7 days a week

1-800-366-PART

(1-800-366-7278)



For in-home major brand repair service

Call 24 hours a day, 7 days a week

1-800-4-REPAIR

(1-800-473-7247)



**For the location of a
Sears Repair Service Center in your area**

Call 24 hours a day, 7 days a week

1-800-488-1222



**For information on purchasing a Sears
Maintenance Agreement or to inquire
about an existing Agreement**

Call 9 am - 5 pm, Monday-Saturday

1-800-827-6655



SEARS
REPAIR SERVICES

America's Repair Specialists

The model number will be found on the side of the power head.

When requesting service or ordering parts, always provide the following information:

- Product Type
- Part Number
- Model Number
- Part Description

© 1998 Emerson Electric Co.

Sears, Roebuck and Co., Hoffman Estates, IL. 60179 U.S.A.