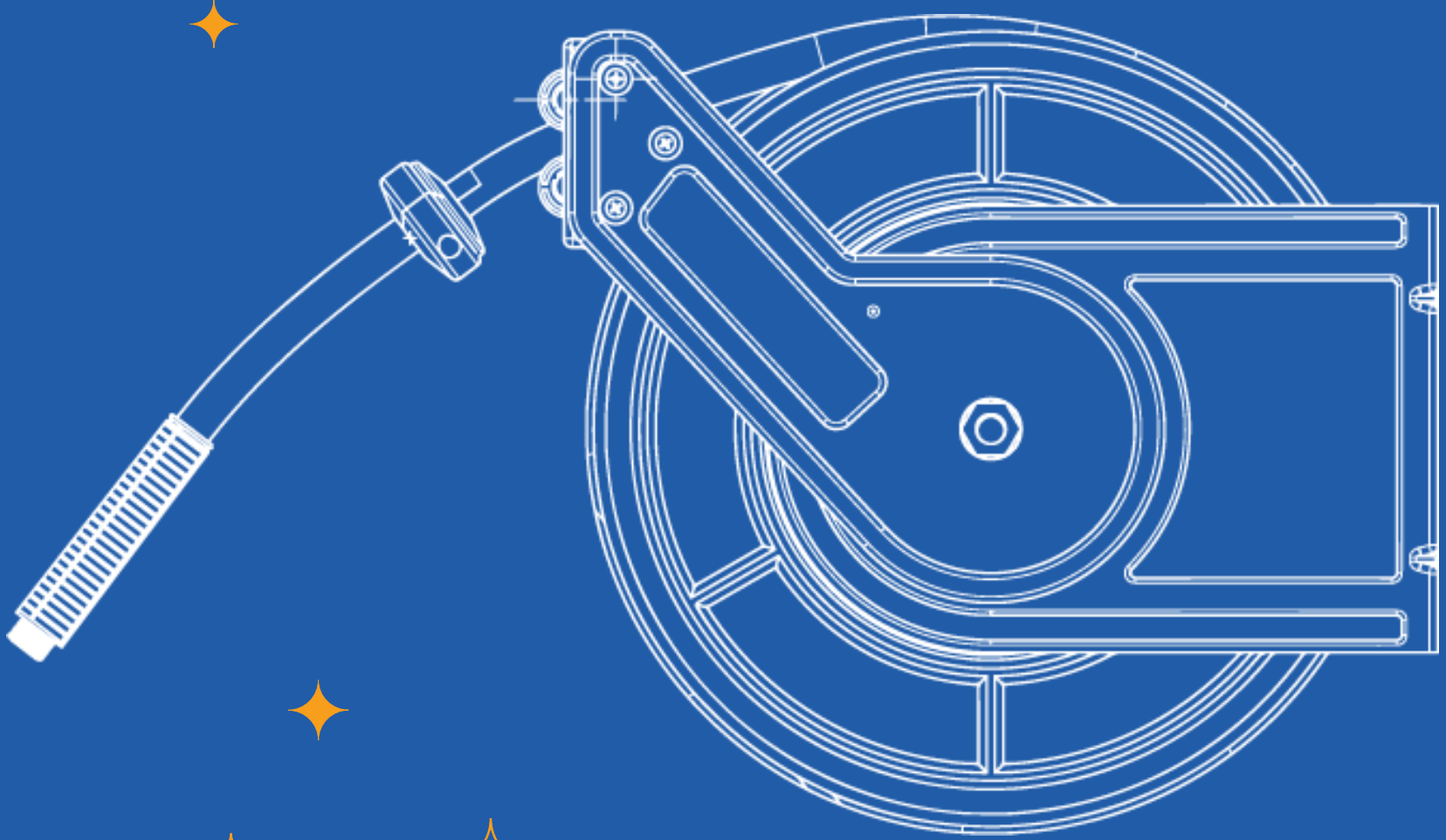


RETRACTABLE AIR HOSE REEL

Model TA15B



Read before use & keep for future reference.

For more information visit giraffetools.com or contact our customer service by sending an email to contact@giraffetools.com



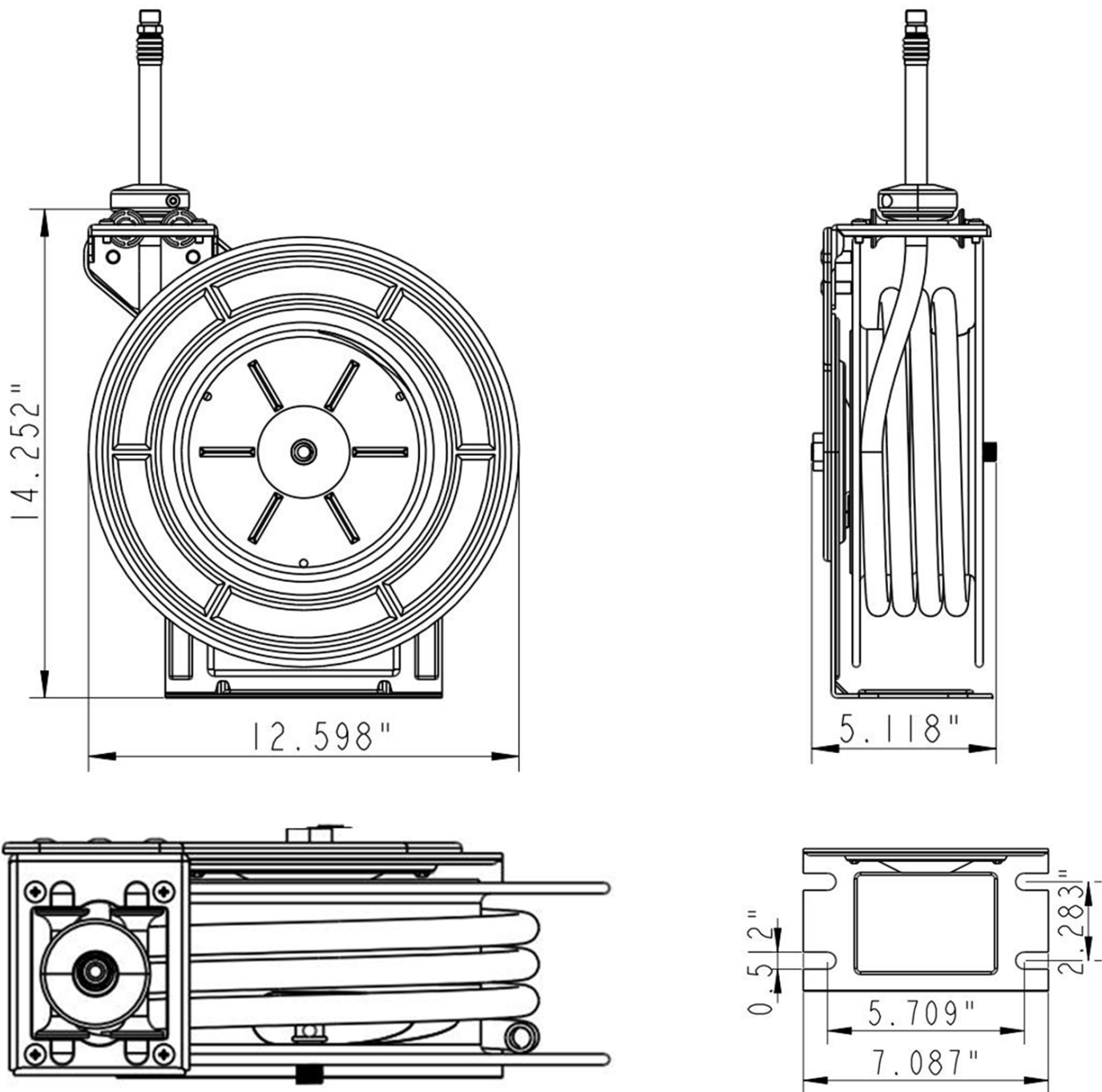
GIRAFFE TOOLS

MANUAL CONTENTS

Product Information -----	03	How To -----	07
What's Inside The Box -----	04	Problem Guide -----	08
Open Box Check -----	05	Maintenance -----	09
Tools Requirement-----	05	Warranty -----	12
Start To Install -----	05	Products Recommended -----	13
Product Testing -----	07	Installation Template-----	14

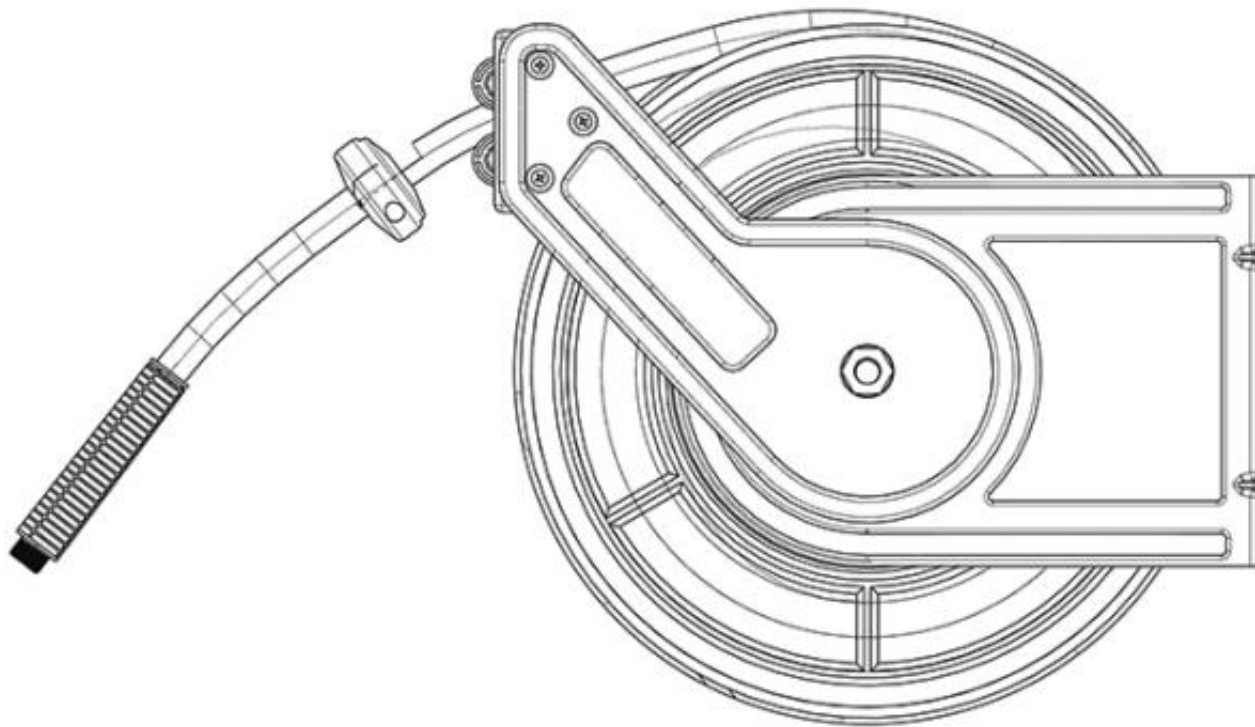
PRODUCT INFORMATION

The Giraffe Tools hose reel is made of quality materials with an auto-retractable feature. The air hose reel can be mounted on the wall or the ceiling, is equipped with a single guide arm that can be repositioned within 225° for better function.



Type	Steel Air Hose Reel
Length	50 feet
Inner Diameter	3/8 in.
Connect Type	1/4 in. NPT
Hose Material	Hybrid
Max. Working Pressure	300PSI
Mount Type	Wall, Ceiling, Floor

WHAT'S INSIDE THE BOX



1 x Retractable Hose Reel
4 x Expansion Bolt: $\Phi 12*70$

1 x Owner's Manual

OPEN-BOX CHECK

1. Check whether the parts above are complete and in the box.
2. Check for (white) scratches on the product.

If you have any of the issues mentioned above, please contact the Giraffe Tools customer service team in due time.

Tips: If the received package has a strange scent, know that this is caused by the sealed environment during shipment overseas.

TOOLS REQUIREMENT

- Electric drill (9/16")
- Hammer
- Socket set or a Phillips screwdriver

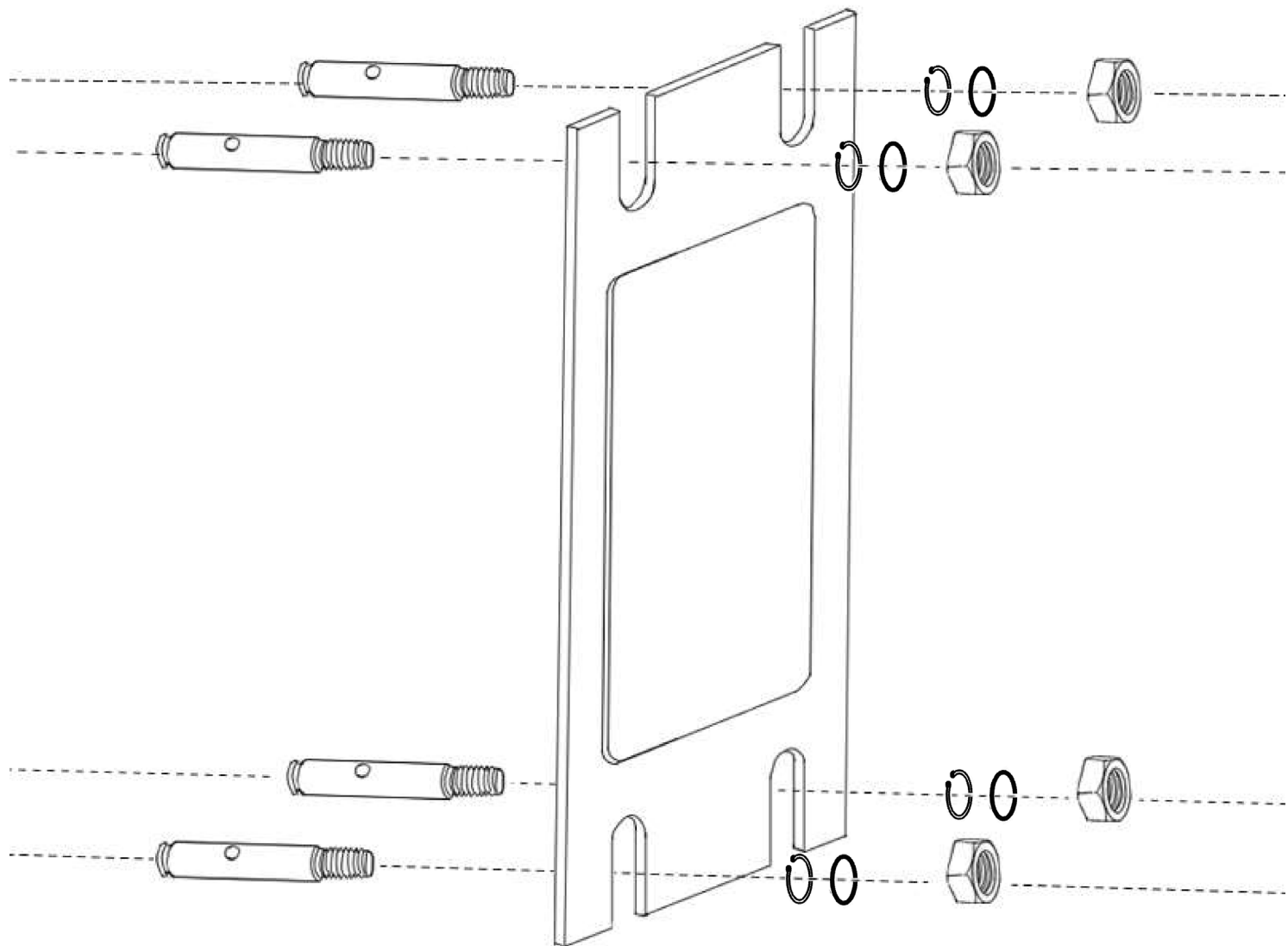
START TO INSTALL



Choose a place



Due to the weight of the filled reel and the pulling force during use, the reel must be installed on a solid surface, that can withstand 20kg of force. As a matter of convenience, please install the hose reel close to your compressor outlet.



✦ Installing the reel ✦

1. Use the installation template (page 14) to mark the location of the 4 holes.
2. Use a 9/16" drill bit to drill 2.1 in. deep holes.

Tips: Depth is important. Mark a 2.1 in. depth with tape around the drill bit. If the hole is too deep and the wall anchor is rotating, use a matchstick or similar tool to tighten the hole.

3. Hammer the wall anchors into the 4 holes.
4. Hang the reel on the anchors, put on the washers and screw on the nuts, then use a socket set or a Phillips screwdriver to tighten.

If desired, follow steps 5 to 7 to re-position the guide arm.

5. Pull out the hose and lock it.
6. Remove the nut and washer on the guide arm base.
7. Rotate the arm to the desired position, and re-tighten the washer and nut.

Your hose reel is now installed and ready to use!

PRODUCT TESTING

Check whether the hose retracts as intended:

- Doesn't retract automatically
- Unable to pause

If you have any of the issues above, please contact the Giraffe Tools customer service by sending an email to contact@giraffetools.com and provide a corresponding video and your order number.

HOW TO

Lock / Extend the hose

There are serial locking and non-locking areas in the steel body, and clicks can be heard when passing through the locking areas. Pull out the hose and stop when hearing the "click" sound to lock the hose.

Retract / Shorten the hose

1. To unlock the hose, give the hose a small tug until reaching the non-locking area (when not hearing the click) to start retraction.
2. To shorten the hose, start retraction and stop when hearing the click.

Tips: Hose can only be locked during pulling out process, and can not be locked during retraction. Always gently retract the hose. If this is not done with caution, the hose reel might get damaged. When walking backwards at a steady speed, the self-segmenting mechanism inserts the hose and weaves neatly into the reel, to ensure that it is free from kinks and tangles.

Recommended usage

1. Always retract the hose after each use.
2. There is an "**STOP**" indication sticker 3.28 feet before the maximum length, don't pull the hose past this point, otherwise, the retraction mechanism will be destroyed.

PROBLEM GUIDE

The reel fell off the wall

Check whether the reel was installed correctly.

The hose cannot be locked

Pull or retract the hose a little until you hear the click. Because of the distance between lock points and unlock areas is very short, if you pull too quickly, you may miss the lock point.

The hose cannot be retracted or extended

It is possible for the hose to become jammed if it retracts unassisted. To free the hose of a jam, pull the hose firmly until it is fully extended. It should now be able to retract once again. Be sure to walk with the hose in hand at a slow speed as it retracts, until it is fully stowed.

The hose is hard to pull

1. Is the hose reel installed at the correct position? If the hose bends too much at the outlet, the hose may rub on the orifice, making it difficult to pull.
2. All mounting holes must be fixed to the wall.
3. Send a photo of the problem to the customer service center for help.

Leakage

If a leakage occurs, please contact our customer service team by sending an email to contact@giraffetools.com with your order number and a picture of the issue.

MAINTENANCE

AIR TOOL PRECAUTIONS

1. Inspect the tool's air hose for cracks, fraying or other faults before each use. Discontinue use if the air hose is damaged or hissing is heard from the air hose or connectors, while operating the tool. Replace the defective component/air hose.
2. Do not allow people, mobile equipment, or vehicles to pass over the unprotected air hose. Position the air hose away from high traffic areas, in a reinforced conduit or place planks on both sides of the air hose to create an enclosed area.
3. Prevent damage to the air hose by observing the following:
 - a. Never carry the tool by the air hose.
 - b. Keep the air hose away from heat, oil, sharp edges or moving parts.
4. Check the maximum pressure rating for air tools and accessories. Compressor outlet pressure must be regulated to never exceed the maximum pressure rating of the tool.

CARE & MAINTENANCE

CAUTION! Release air pressure from the hose system before servicing the reel.

1. Maintain the tool with care. A tool in good condition is efficient, easier to control and will have fewer problems.
2. Inspect the reel, hose, and accessories for damage or excessive wear before each
3. use. Have damaged or worn components repaired or replaced by an authorized
4. technician. Only use identical replacement parts when servicing.
5. Only use accessories intended for use with this tool.
6. Maintain the tool's labels and name plates. These carry important information. If unreadable or missing, contact us for replacements.

WARNING! Only qualified service personnel should repair the tool. An improperly repaired tool may present a hazard to the user and/or others.

CLEANING

Wipe the surface with a clean, moist cloth. Do not use solvents when cleaning.

SAFETY

WARNING! Read and understand all instructions before using this tool. The operator must follow basic precautions to reduce the risk of personal injury and/or damage to the equipment.

Keep this manual for safety warnings, precautions, operating or inspection and maintenance instructions.

HAZARD DEFINITIONS

Please familiarize yourself with the hazard notices found in this manual. A notice is an alert that there is a possibility of property damage, injury, or death if certain instructions are not followed.

WARNING!

This notice indicates that if proper precautions are not taken, a specific hazard or unsafe practice could result in severe personal injury or death.

CAUTION!

This notice indicates that if proper practices are not taken a potentially hazardous situation may result in minor or moderate injury.

NOTICE!

This notice indicates that a specific hazard or unsafe practice will result in equipment or property damage, but not personal injury.

WORK AREA

1. Operate in a safe work environment. Keep your work area clean, well-lit, and free of distractions.
2. Keep anyone not wearing the appropriate safety equipment away from the work area.
3. Store unused tools properly in a safe and dry location to prevent rust or damage. Lock tools away and keep out of reach of children.

PERSONAL SAFETY

WARNING! Wear personal protective equipment approved by the Canadian Standards Association (CSA) or American National Standards Institute (ANSI).

PERSONAL PROTECTIVE EQUIPMENT

1. Always wear impact safety goggles that provide front and side protection for the eyes. Eye protection equipment should comply with CSA Z94.3-07 or ANSI Z87.1 standards, depending on the type of work that is performed.
2. Wear gloves that provide protection from the work materials or to reduce the effects of tool vibration.
3. Wear protective clothing designed for the work environment and tools.
4. Non-skid footwear is recommended to maintain balance in the work environment.

PERSONAL PRECAUTIONS

Control the tool, personal movement, and the work environment to avoid personal injury or damage to the tool.

1. Do not operate any tool when tired or under the influence of drugs, alcohol, or medications.
2. Avoid wearing clothes or jewelry that can become entangled with the moving parts of a tool. Keep long hair covered or bound.

SPECIFIC SAFETY PRECAUTIONS

WARNING! DO NOT let comfort or familiarity with product (gained from repeated use) replace strict adherence to the tool's safety rules. If you use this tool unsafely or incorrectly, you can suffer serious personal injuries.

WARNING! Direct exposure of pressurized air or fluids to skin could result in severe bodily injuries.

1. Use the correct tool for the job. This tool was designed for a specific function. Do not modify or alter this tool or use it for an unintended purpose.
2. Ensure that the reel is properly installed before connecting the input and output air hoses.
3. Remove system pressure immediately if a leak occurs in the hose or reel, or if the reel ceases to wind and unwind.
4. Release the hose slowly and control it as it retracts.

WARRANTY

Warranty Period: **TWO (2) years**

Additional Legal Rights for Consumers

For consumers, who are covered by consumer protection laws or regulations in their country of purchase or, if different, their county of residence. The benefits conferred by our limited warranty are in addition to all rights and remedies conveyed by such consumer protection laws and regulations, including but not limited to these additional rights.

WHAT IS COVERED BY THIS WARRANTY?

This warranty covers each product and warrants them to be free from defects in craftsmanship, under normal use and service, for the defined period from the date of purchase by the first end-user. Under this warranty, Giraffe Tools will repair or replace, at its option, any unit that fails to perform a choosing to Giraffe Tools' published specifications during the given warranty period.

WHAT IS NOT COVERED BY THIS WARRANTY?

This Warranty does not apply to damage caused by accident, abuse, misuse, fire, earthquake, or other external cause, or to cosmetic damage, including but not limited to scratches, dents, and broken plastic on ports. Unless failure has occurred due to a defect in materials or craftsmanship.

ACQUIRING WARRANTY SERVICE

Should the product prove to be defective within the warranty period, return the product to the retail store you purchased the product(s), and Giraffe Tools will at its option, repair or replace the product, to whatever extent Giraffe Tools deems necessary to restore the product to proper operating conditions.

PRODUCTS RECOMMENDED



Giraffe Stainless Steel Hose Reel
5/8"-150ft



Giraffe Retractable Hose Reel
1/2"-5/8", 78ft-150ft



Giraffe Hose Reel Box
5/8"- 150ft



Giraffe Retractable Hose Reel
5/8"-65ft



Giraffe Hose Reel Cart
5/8"-250ft



Giraffe 2in1 Pressure Washer
1400PSI



Giraffe Extension Code Reel
12AWG-50ft



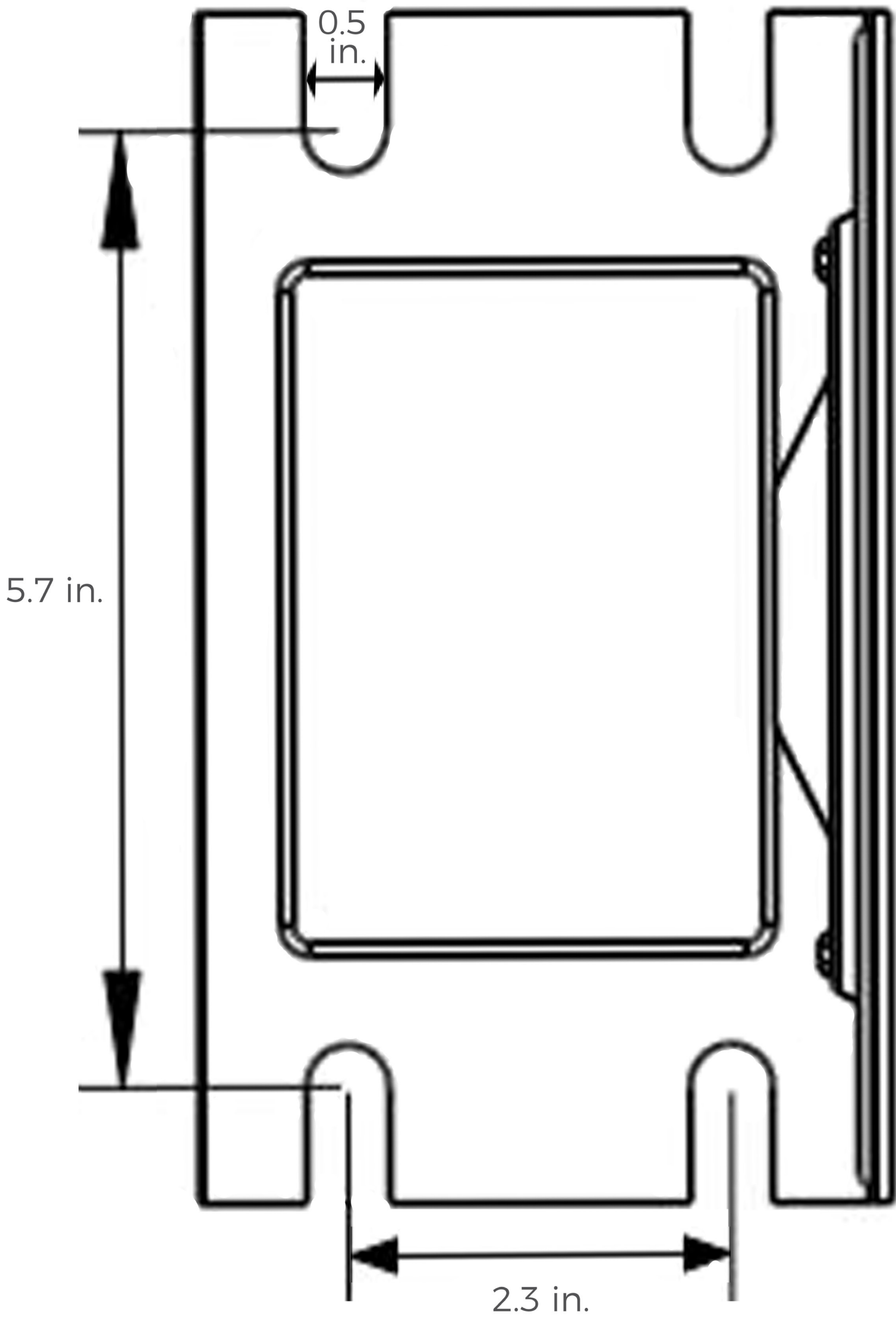
Giraffe Retractable Air Hose Reel
3/8"-50ft



Giraffe Retractable Air Hose Reel
3/8"-50ft

If you are interested in the products above, you can visit giraffetools.com or search for Giraffe Tools on Amazon.

INSTALLATION TEMPLATE





WE WILL DO THE HEAVY LIFTING



To purchase Giraffe Tools products and more, visit giraffetools.com or search for Giraffe Tools on Amazon.com.



giraffetools.com



contact@giraffetools.com



+1 (833)583-0881

(9am - 5pm EST, Mon - Fri, excluding national holidays)

