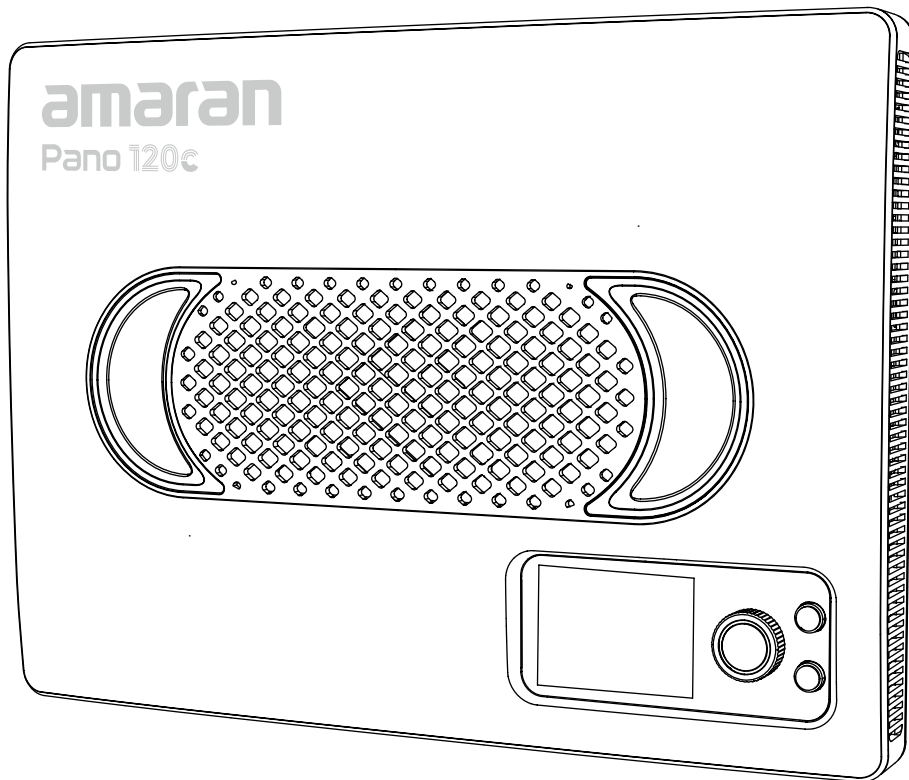


**amaran**<sup>®</sup>



# amaran Pano 120c

**Product Manual**

English

# Table of Content

Introduction.....	03
Components List.....	04
Product Overview .....	05
Operations.....	06
<b>1. Power Supply</b> .....	<b>06</b>
<b>2. Power On/Off</b> .....	<b>07</b>
<b>3. Light Installation</b> .....	<b>07</b>
<b>4. Softbox Installation</b> .....	<b>09</b>
<b>5. Light Control Grid Installation</b> .....	<b>09</b>
<b>6. Diffuser Installation</b> .....	<b>10</b>
<b>7. Barn Doors Installation</b> .....	<b>10</b>
<b>8. Main Menu</b> .....	<b>11</b>
<b>8.1. CCT</b> .....	<b>11</b>
<b>8.2. HSI</b> .....	<b>12</b>
<b>8.3. RGB</b> .....	<b>12</b>
<b>8.4. FX</b> .....	<b>13</b>
<b>8.5. Bluetooth Reset</b> .....	<b>13</b>
<b>8.6. Custom Mode</b> .....	<b>14</b>
<b>8.7. Language</b> .....	<b>14</b>
<b>8.8. Fan Mode</b> .....	<b>14</b>
<b>8.9. Studio Mode</b> .....	<b>15</b>
<b>8.10 Expanded CCT</b> .....	<b>15</b>
<b>9. Firmware updates</b> .....	<b>16</b>
Using the amaran App.....	16
Specifications .....	17
Photometrics.....	18
Safety Instructions .....	20
FCC Declaration of Conformity .....	21
Disclaimer .....	22

# Introduction

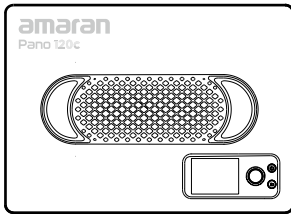
Thank you for purchasing the amaran Pano 120c.

Designed for both mobile shoots and studio setups, the amaran Pano 120c is a compact, 120W full-color panel light combining ultra-high brightness with exceptional portability in a size comparable to a laptop. Its slim and lightweight design makes it perfect for outdoor mobile shoots or travelling to on-location studio setups, while its streamlined USB-C PD power delivery and amaran Ace E-Lock compatibility offers greater power flexibility for any shooting environment. And paired with included lighting accessories, the amaran Pano 120c is the ideal all-in-one, versatile lighting kit that can adapt to any creative project.

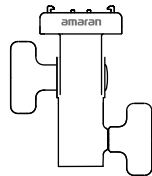
# Components List

Please make sure all accessories listed below are complete before using. If not, please contact your sellers immediately.

## amaran Pano 120c (Base Version)



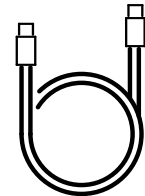
amaran  
Pano 120c ×1



amaran Ace Lock to  
Light Stand Adapter ×1

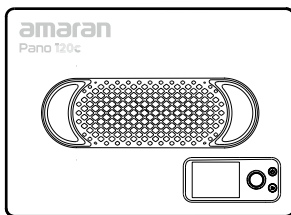


amaran Pano 120c  
Diffuser ×1

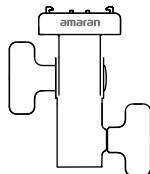


amaran USB-C Locking  
Charging Cable (3m) ×1

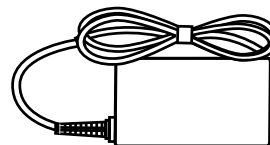
## amaran Pano 120c Kit



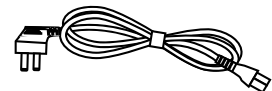
amaran  
Pano 120c ×1



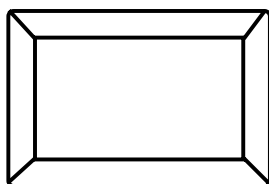
amaran Ace Lock to  
Light Stand Adapter ×1



amaran 150W DC Locking  
Power Adapter ×1



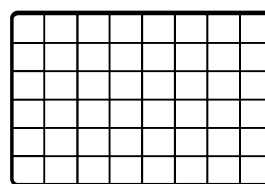
amaran  
AC Cable ×1



amaran Pano 120c  
Softbox ×1



amaran Pano 120c  
Diffuser ×1



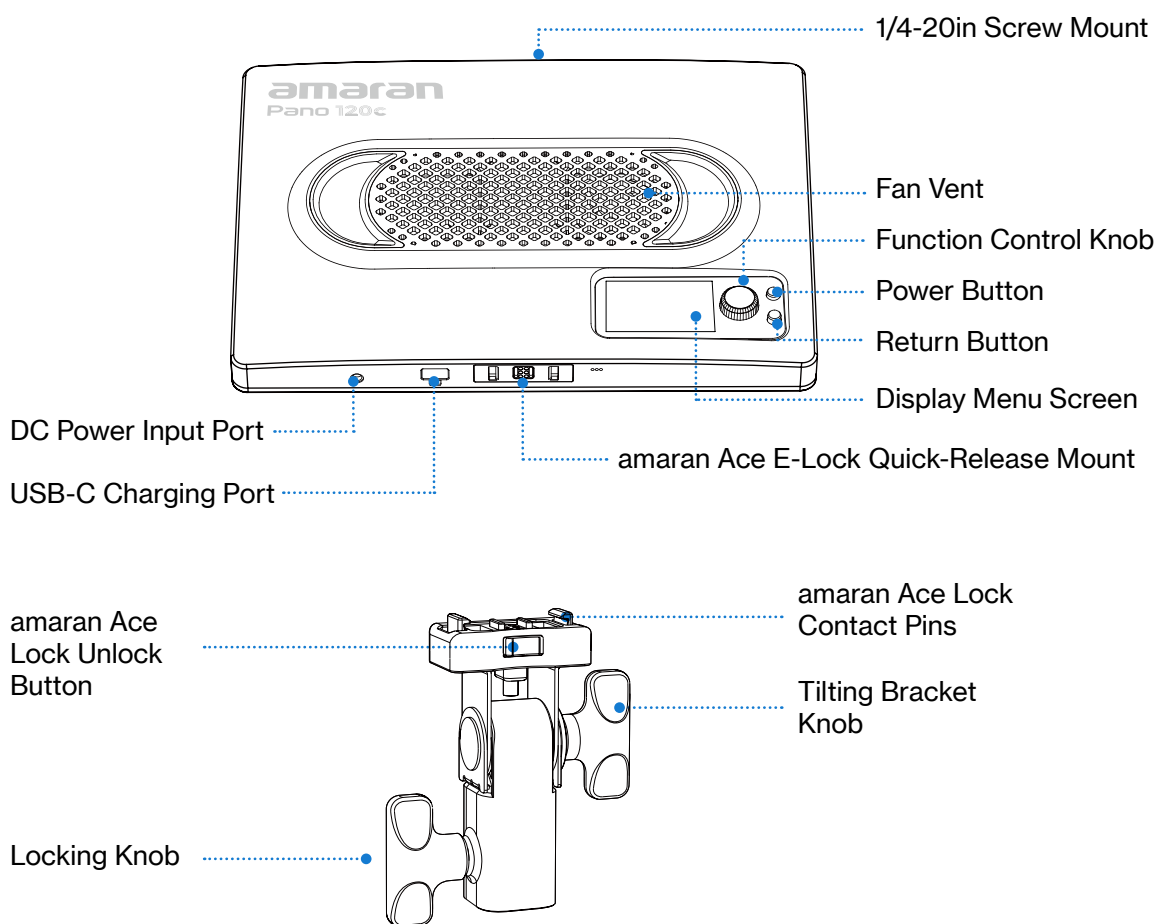
amaran Pano 120c  
Light Control Grid ×1



amaran Pano 120c Kit  
Carrying Case ×1

*Tip: The illustrations in the manual are diagrams for reference only. Due to the continuous development of new versions of the product, if there are any differences between the product and the user manual diagrams, please refer to the product itself.*

# Product Overview

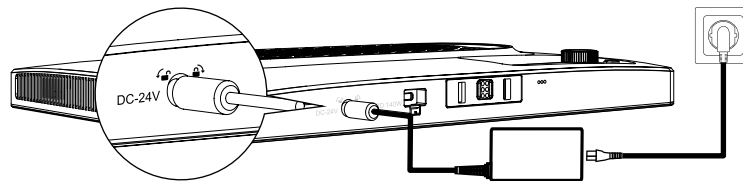


<b>Power Button</b>	Press to turn the light on, and hold for 1 second to turn the light off. The indicator light will be on when the light is powered on.
<b>Return Button</b>	Click to return to the previous menu screen. Hold or double click on the return button to execute customizable shortcuts set in Custom Mode.
<b>Function Control Knob</b>	Rotate to toggle the menu or adjust values and lighting settings. Press the knob to confirm parameters.
<b>Display Menu Screen</b>	Displays settings and status of your light.
<b>Fan Vent</b>	Helps the light dissipate heat. Please do not block the fan vent when using the light.
<b>amaran Ace E-Lock Quick-Release Mount</b>	Install and disassemble the light in less than a second with the amaran Ace Lock ecosystem. The light can also be powered by the amaran Peak power bank accessory. <i>*The amaran Peak power bank accessory is sold separately.</i>
<b>USB-C Charging Port</b>	Used to charge the fixture via a PD-supported power supply.
<b>DC Power Input Port</b>	Used to charge the fixture with the included amaran 150W DC Locking Power Adapter. The included DC cable is pull-resistant, avoid pulling the cable with force to prevent damage.
<b>1/4-20in Screw Mount</b>	Mount the light onto 1/4-20in tripods or other equipment.
<b>amaran Ace Lock Contact Pins</b>	Locks into place on the light's amaran Ace E-Lock quick-release mount to secure the light.
<b>amaran Ace Lock Unlock Button</b>	Press the button to detach the amaran Ace Lock mounting bracket from the light.
<b>Tilting Bracket Knob</b>	Rotate to lock and unlock the mounting bracket to adjust the angle of the light.
<b>Locking Knob</b>	Rotate to lock and unlock the mounting bracket from the light stand.

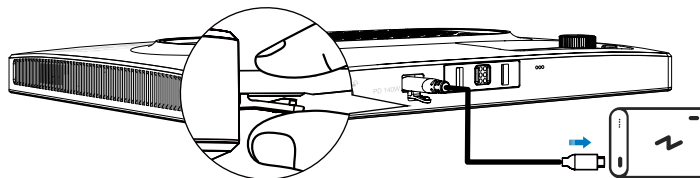
# Operations

## 1. Power Supply

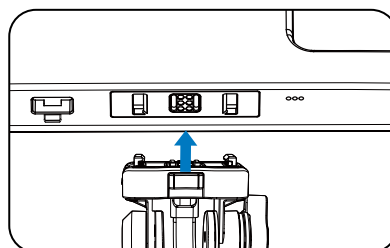
**Power Supply Method 1:** Use the included amaran 150W DC Locking Power Adapter to supply power to the light. Plug the end of the Power Adapter into the charging port of the light. The included Locking Power Adapter is pull-resistant. Press the lock when inserting and removing the cable, and avoid pulling the cable with force to prevent damage.



**Power Supply Method 2:** Supply power to the light via other PD power supply devices or power banks. Plug the output port of the PD power supply device into the charging port of the light. Please ensure that the power supply can output a minimum of 65W of power. If a power supply below 140W of power output is used, the brightness of the lamp will be reduced or may be unable to light up.



**Power Supply Method 3:** Supply power to the light via the amaran Peak portable power supply. The battery handle features amaran Ace E-Lock Contact Pins, and will power the light on when mounted via the amaran Ace E-Lock Quick-Release Mount.

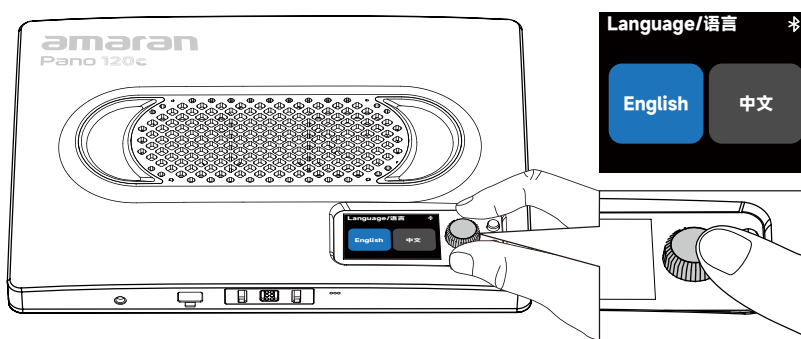


*Note: The amaran Pano 120c supports power supply standards of USB PD3.0 and above, but is not compatible with some third-party private charging protocols. It is recommended to use PD3.1 standards of 140W power output and above. Please ensure to select the*

appropriate power supply device. If the selected power supply device cannot power the light at full power, a pop-up window will appear on the display menu screen to limit the maximum brightness. The amaran Peak power bank accessory is sold separately.

## 2. Power On/Off

1. After connecting to the power supply, press the power button on the back of the fixture to turn the light on, and hold for 1 second to turn the light off. The light will resume to its previous settings prior to turning off.
2. You can select your preferred language when you turn the light on for the first time. Rotate the knob to select your language. Click to confirm.

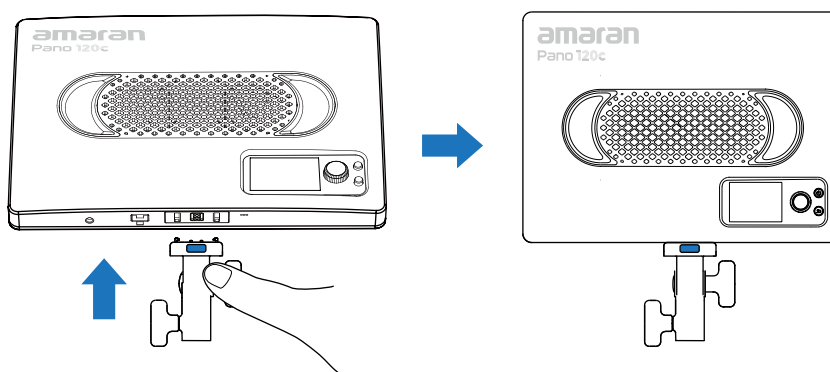


## 3. Light Installation

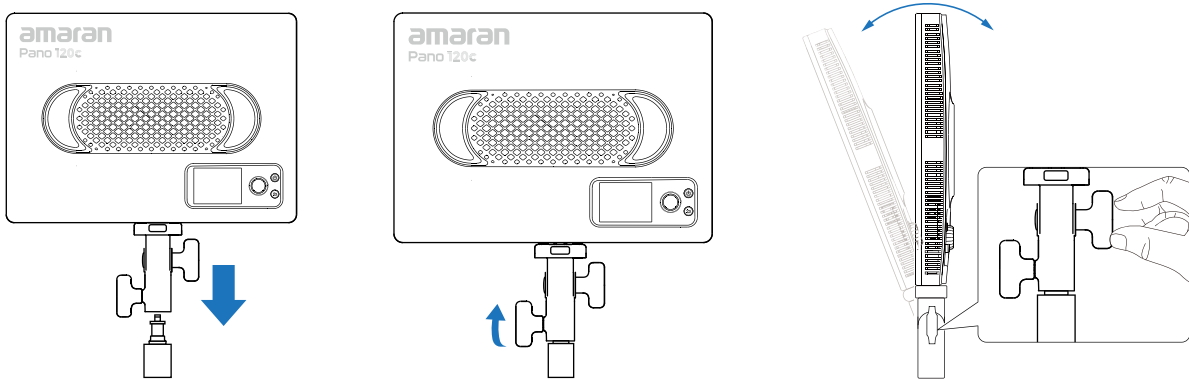
### 1. Installing the amaran Ace Lock Adapter:

Align the contact pins on the mounting bracket to the light's amaran Ace Lock quick release mount. Press the blue release key and push towards the bottom of the light. The mounting bracket is securely attached to the light when the pins are embedded into the amaran Ace lock mount and when you hear a clicking noise.

Please ensure that the blue release key is facing the back of the light to avoid reverse installation.

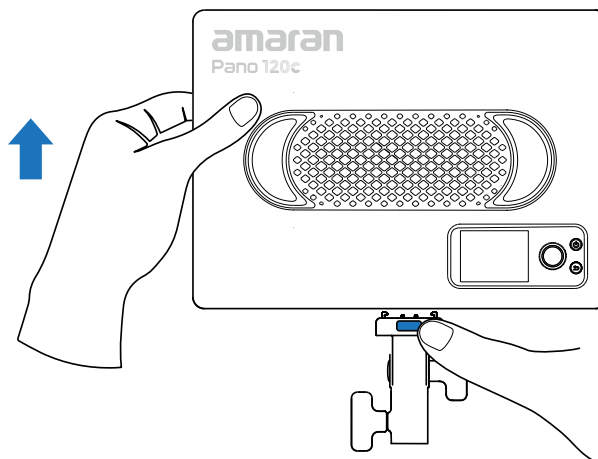


**2. Installing Onto A Light Stand:** With the mounting bracket installed onto the light, place the end of the mounting bracket onto the light stand and turn the locking knob to secure into place. Adjust the angle of the light and turn the tilting bracket knob to secure into place.



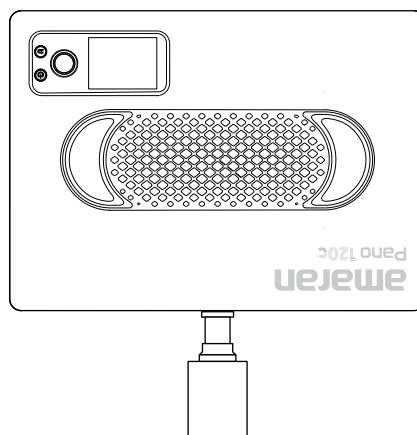
### 3. Disassembling the Light:

To disassemble, press the blue release key on the mounting bracket and pull the light upwards away from the mounting bracket. To avoid damaging the light and bracket, do not disassemble by force.



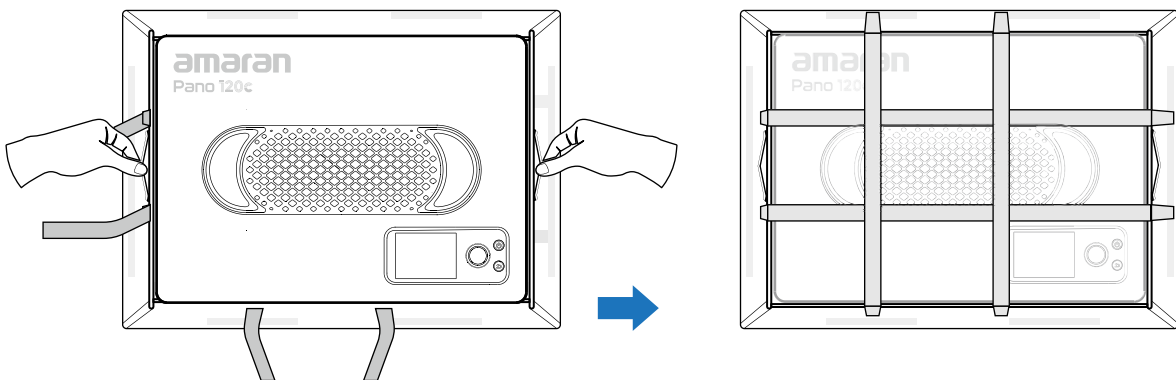
### 4. Installing via 1/4-20in Screw Mount:

The top of the light features a 1/4-20in screw mount for mounting the light onto 1/4-20in tripods or other equipment.



## 4. Softbox Installation

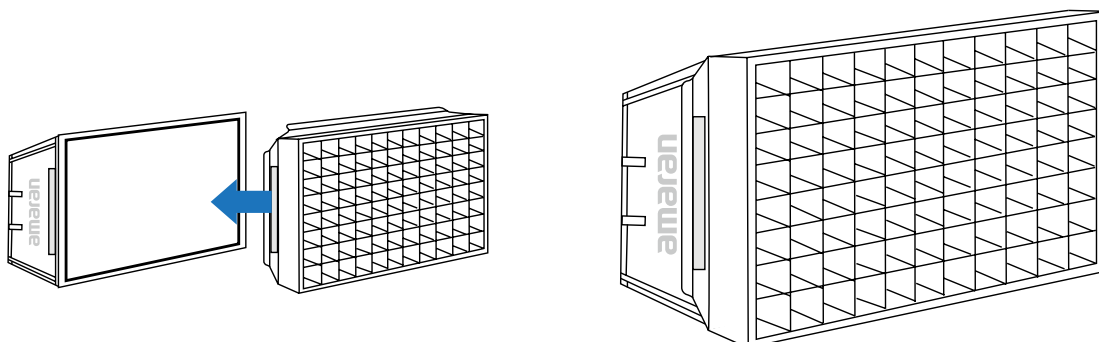
1. Unfold the softbox and place the diffusion cloth side downwards onto a flat surface.
2. To install the softbox onto the light, place the light with the light-emitting surface side downwards onto the frame of the softbox. Pull the handles on the sides of the softbox to ensure that the softbox is fully unfolded and that the light is firmly installed into the softbox frame.
3. Pull the elastic straps on the softbox over the light. Adjust the position of the softbox and ensure that the edges of the softbox are aligned with the edges of the light.



*Note: To prevent the softbox from blocking the fan and affecting heat dissipation or light spill, please ensure that the softbox securely wraps around the edges of the light.*

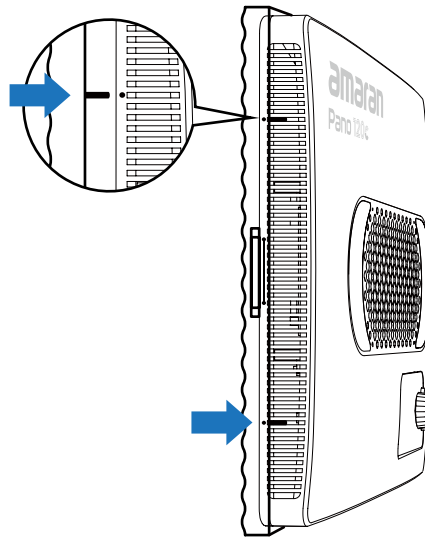
## 5. Light Control Grid Installation

1. Please ensure that the softbox is fully opened prior to installing the light control grid.
2. To install the light control grid onto the softbox, expand the light control grid and align with the 4 corners of the softbox.
3. To ensure that the grid is firmly installed onto the softbox, fasten the Velcro around the light control grid to the softbox and ensure it is flat.



## 6. Diffuser Installation

1. Unfold the diffuser and pull the hook side towards the light.
2. To install the diffuser onto the softbox, place the hook on the side of the diffuser into the light's heat dissipation hole. Repeat to hook on the other side to securely install the diffuser cover.

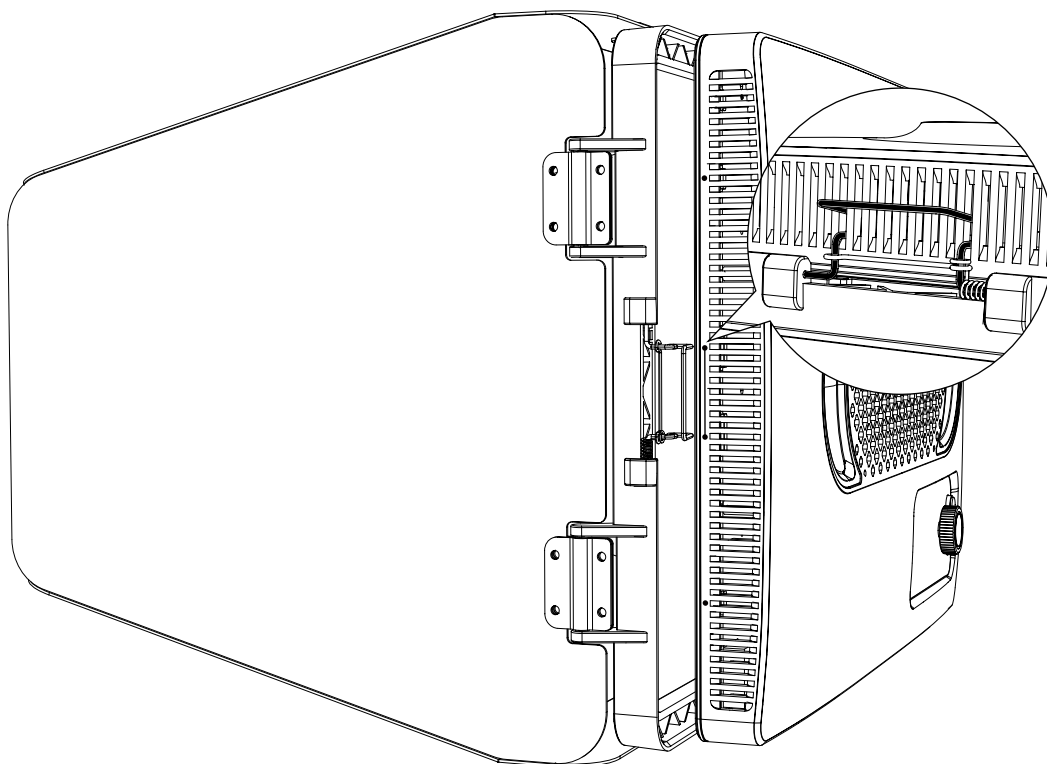


*Note: Please ensure that the diffuser is positioned correctly to prevent it from exceeding the edges of the light.*

## 7. Barn Doors Installation

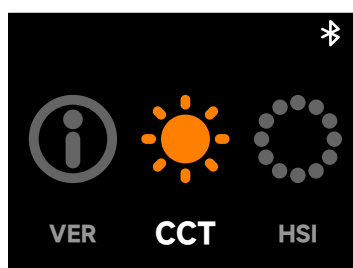
1. Ensure that the barn door leaves are closed and place facing downwards on a flat surface. Open the wire clasp on both sides, place the light into the frame of the barn doors.
2. To install the barn doors onto the light, place the wire clasp into the light's heat dissipation hole. Repeat to place on the other side to securely install the barn doors. Ensure the installation is secure to prevent it from vibrating loose

*\*The amaran Pano 120c Barn Doors are sold separately.*



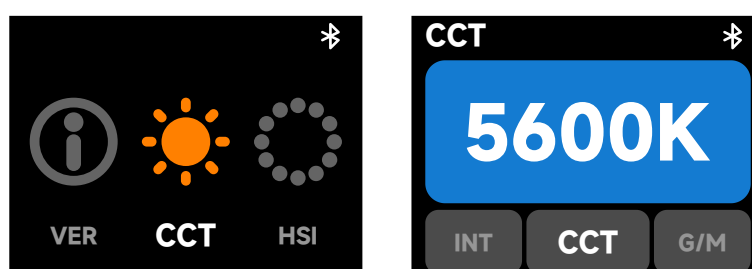
## 8. Main Menu

Rotate and press the knob to select light modes and settings.



### 8.1. CCT

Rotate and press the knob to enter CCT mode from the main menu. In CCT mode, press the knob to select INT or CCT and rotate the dial to adjust the corresponding value.



- 1. INT (Intensity):** Adjust your light's brightness from 0%-100%.
- 2. CCT (Correlated Color Temperature):** Adjust your light's color temperature from warm white (2,300K CCT) to cool white (10,000K CCT).
- 3. G/M (Green-Magenta):** Adjust the green-magenta shift in  $\pm 10$  increments.
- 4.** After 3 minutes of inactivity while the light is in CCT Mode, it will automatically switch to **"Quick Operation Mode"**. Quick Operation Mode allows you to quickly adjust your light's settings without toggling through the menu.

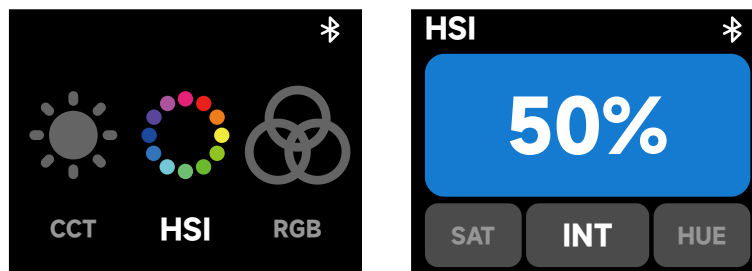
The menu screen will display the current color temperature value and brightness level.

Rotate the control knob to adjust your brightness levels. Press and rotate the knob to adjust your color temperature value from warm white to cool white.

Press the Return button to exit Quick Operation Mode and return to your previous interface.

## 8.2. HSI

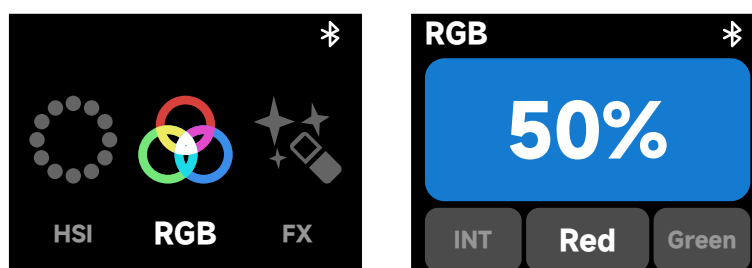
Rotate and press the knob to enter HSI mode from the main menu. In HSI, press the knob to select INT, HUE, or SAT and rotate the dial to adjust the corresponding value.



- 1. INT (Intensity):** Adjust your light's brightness from 0%-100%.
- 2. HUE:** Adjust your light's hue value from  $1^\circ$  to  $360^\circ$ .
- 3. SAT (Saturation):** Adjust the saturation of the color from 0%-100%.

## 8.3. RGB

Rotate and press the knob to enter RGB mode from the main menu. In RGB, press the knob to select INT, Red, Green, or Blue and rotate the dial to adjust the corresponding value.



**1. INT (Intensity):** Adjust your light's brightness from 0%-100%.

**2. Red:** Adjust your light's Red value from 0%-100%.

**3. Green:** Adjust your light's Green value from 0%-100%.

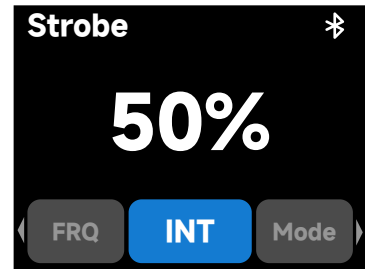
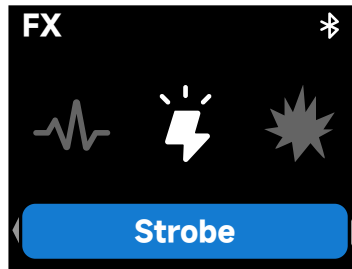
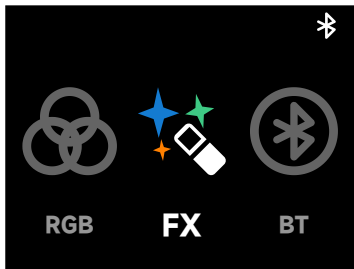
**4. Blue:** Adjust your light's Blue value from 0%-100%.

## 8.4. FX

Rotate and press the knob to enter FX mode from the main menu. In FX, rotate and press the knob to select your lighting effect. Press again to enter the settings and rotate the dial to adjust the corresponding value.

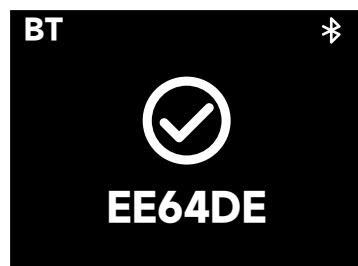
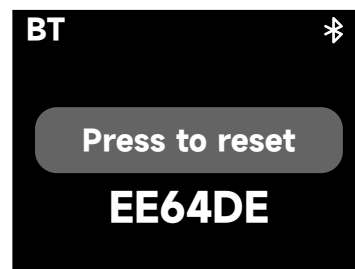
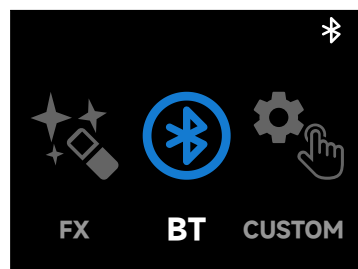
### Supported Lighting Effects:

Fireworks	Faulty Bulb	Lightning	TV	Pulsing	Strobe
Explosion	Fire	Paparazzi	Welding	Cop Car	Party Lights



## 8.5. Bluetooth Reset

Rotate and press the knob to enter BT mode from the main menu. Hold down on the knob until the end of the progress bar. Release the knob to cancel.



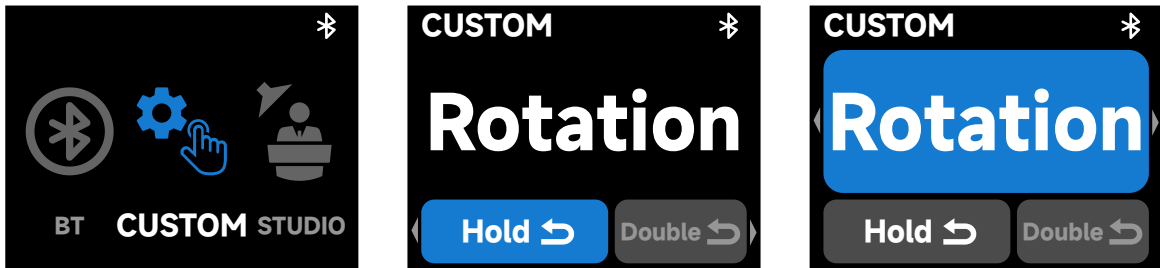
Bluetooth reset is successful.



Bluetooth reset is unsuccessful. Please reset Bluetooth again.

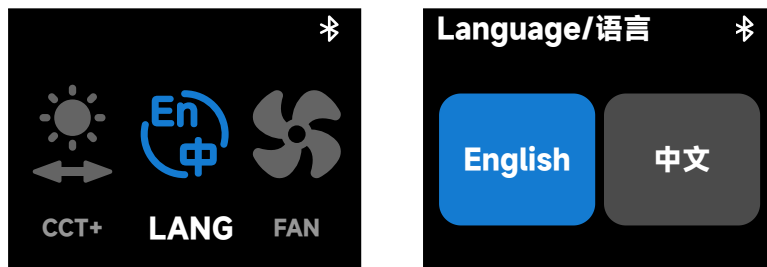
## 8.6. Custom Mode

Rotate and press the knob to enter Custom mode from the main menu. In Custom mode, press the knob to select customizable shortcuts for long press (Hold) or double click (Double) of the Return button. Rotate the dial to select between None/CCT/Rotation/HSI/ BT Reset shortcut functions. Short press of the return button defaults to the return/back function and cannot be changed.



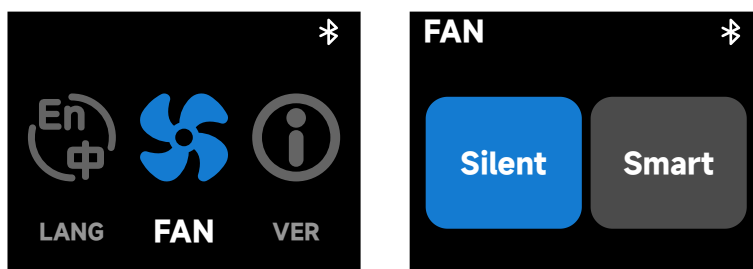
## 8.7. Language

Rotate and press the knob to enter Language settings from the main menu. In Language, rotate the dial to toggle between English or Chinese. Press the knob to confirm your language.



## 8.8. Fan Mode

Rotate and press the knob to enter Fan mode from the main menu. In Fan mode, rotate the dial to toggle between Silent and Smart fan mode. Press the knob to confirm your settings.



### Silent Mode:

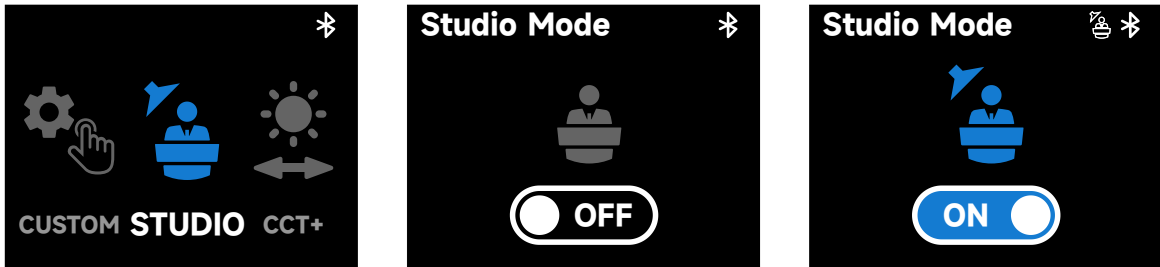
The fan will be completely turned off, and the light will not produce any noise. The power output will be limited to 25W.

### Smart Mode:

The fan speed will automatically adjust according to the temperature of the light.

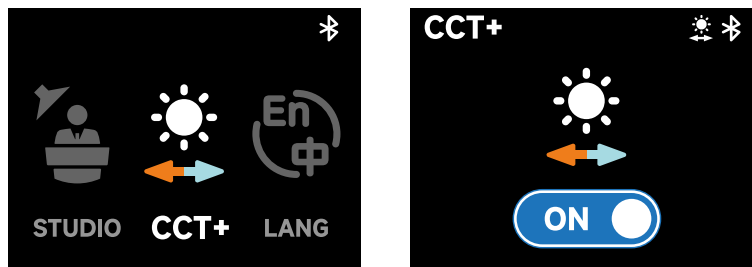
## 8.9. Studio Mode

Rotate and press the knob to enter Studio mode from the main menu. Press the knob to cycle between On/Off. When Studio mode is turned on, the light will automatically turn on after connecting to a power supply, reducing the need to manually press the power button.



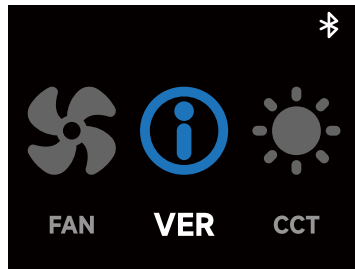
## 8.10 Expanded CCT

Rotate and press the knob to enter the Expanded CCT mode from the main menu. Press the knob to cycle between On/Off. When Expanded CCT mode is turned on, the adjustable color temperature in CCT mode is expanded to 1,800K to 20,000K CCT. Please note that the color rendering when in the expanded CCT range is lower.



## 9. Firmware updates

Firmware updates can be updated online via the amaran app or Sidus Link.



## Using the amaran App

You can download the amaran mobile app from the iOS App Store, Google Play Store, and other platforms for enhancing the functionality of the light. You can download the amaran desktop app for Mac and Windows from the amaran website. Please visit [amarancreators.com](https://www.amarancreators.com) for more details on how to use the app to control your amaran lights.



amaran App



amarancreators.com

# Specifications

<b>Max Power Input</b>	140W	<b>Max Power Output</b>	120W
<b>CCT</b>	2,300-10,000K	<b>Lumens</b>	13,855lumens@5600K 12,149lumens@3200K
<b>CRI</b>	96	<b>TLCI</b>	97
<b>TM-30 Rg (Average)</b>	101	<b>TM-30 Rf (Average)</b>	93
<b>SSI(D32)</b>	84	<b>SSI (D56)</b>	74
<b>Beam Angle (No Accessory)</b>	45°	<b>Color Chipset</b>	RGBWW
<b>Operating Temperature</b>	-10°C -40°C	<b>Storage Temperature</b>	-20°C - 80°C -4 °F - 176 °F
<b>Control Methods</b>	On-board, amaran App, Sidus Link	<b>Firmware Upgradeable</b>	amaran App, Sidus Link
<b>Screen Type</b>	TFT	<b>Wireless Operating Range (Bluetooth)</b>	≤80m ≤262.5ft
<b>Adapter Input Voltage</b>	AC 110V-220V	<b>Cooling Method</b>	Fan cooling
<b>Operating Voltage</b>	DC 24V PD 28V	<b>Adapter Cable Length</b>	2.5m/8.20ft
<b>Beam Angle (Light Control Grid)</b>	45°	<b>AC Cable Length</b>	2m/6.56ft
<b>Light Dimensions</b>	35.5x25.6x3.6cm 14x10x1.4in	<b>Light Weight</b>	1.6kg/3.5lb
<b>Softbox Dimensions</b>	41.5x30.5x10.3cm 16.3x12x4in	<b>Softbox Weight</b>	0.35kg/0.8lb
<b>Light Control Grid Dimensions</b>	42x31.4x7cm 16.5x12.2x2.8in	<b>Light Control Grid Weight</b>	0.15kg/0.3lb

*\*The above technical specifications are from the Aputure laboratory, and there may be some variation between individual units.*

# Photometrics

CCT	Distance	No Accessories	Softbox	Light Control Grid	Diffuser
2,300K	1m	10,880 lux	2,950 lux	2,335 lux	2,700 lux
		1,011 fc	274 fc	217 fc	251 fc
	3m	1,310 lux	312 lux	284 lux	303 lux
		122 fc	29 fc	26 fc	28 fc
3,200K	1m	1,1870 lux	3,240 lux	2,558 lux	2,910 lux
		1,103 fc	301 fc	238 fc	270 fc
	3m	1,435 lux	344 lux	310 lux	331 lux
		133 fc	32 fc	29 fc	31 fc
4,300K	1m	12,630 lux	3,450 lux	2,710 lux	3,080 lux
		1,173 fc	321 fc	252 fc	286 fc
	3m	1,529 lux	365 lux	330 lux	351 lux
		142 fc	34 fc	31 fc	33 fc
5,600K	1m	13,260 lux	3,620 lux	2,835 lux	3,220 lux
		1,232 fc	336 fc	263 fc	299 fc
	3m	1,610 lux	382 lux	345 lux	368 lux
		150 fc	35 fc	32 fc	34 fc
6,500K	1m	13,490 lux	3,680 lux	2,880 lux	3,260 lux
		1,253 fc	342 fc	268 fc	303 fc
	3m	1,639 lux	390 lux	351 lux	375 lux
		152 fc	36 fc	33 fc	35 fc

*\*The above technical specifications are from the Aputure laboratory, and there may be some variation between individual units.*

# Photometrics

CCT	Distance	No Accessories	Softbox	Light Control Grid	Diffuser
10,000K	1m	12,920 lux	3,530 lux	2,770 lux	3,130 lux
		1,200 fc	328 fc	257 fc	291 fc
	3m	1,570 lux	380 lux	337 lux	359 lux
		146 fc	35 fc	31 fc	33 fc
R	1m	4,020 lux	1,022 lux	815 lux	975 lux
		373 fc	95 fc	76 fc	91 fc
	3m	497 lux	119 lux	101 lux	108 lux
		46 fc	11 fc	9 fc	10 fc
G	1m	6,070 lux	1,694 lux	1,314 lux	1,490 lux
		564 fc	157 fc	122 fc	138 fc
	3m	747 lux	181 lux	161 lux	173 lux
		69 fc	17 fc	15 fc	16 fc
B	1m	1,258 lux	379 lux	291 lux	353 lux
		117 fc	35 fc	27 fc	33 fc
	3m	155 lux	40 lux	36 lux	42 lux
		14 fc	4 fc	3 fc	4 fc

*\*The above technical specifications are from the Aputure laboratory, and there may be some variation between individual units.*

# Safety Instructions

When using the amaran Pano 120c, basic safety precautions should always be followed, including the following:

1. Read and understand all instructions before using.
2. Please have the product checked by an authorized service personnel agent if the product has a problem. Any malfunctions caused by unauthorized disassembly are not covered by the warranty. The user may pay for maintenance.
3. Please do not place the fixture in high temperature environments for long periods of time, as it will accelerate the aging of the product and shorten its service life.
4. Close supervision is necessary when any fixture is used by or near children. Do not leave the fixture unattended while in use.
5. Do not operate the fixture if a cord is damaged, or if the fixture has been dropped or damaged, until it has been examined by qualified service personnel.
6. This fixture is not waterproof. Please do not use the light fixture in wet conditions on account of electric shock may be caused.
7. Please do not block the ventilation or look at the LED light source directly when it is powered on. Please do not touch the LED light source in any condition.
8. When using the fixture for long periods of time in high temperature environments above 40°C / 104°F, care must be taken as burns can occur from touching hot surfaces.
9. Please do not place the unit near any flammable object.
10. Avoid rapid shaking or rotating of the light when moving the light stand to prevent damage to the amaran Ace Lock quick-release mount.
11. We recommend only using the original amaran power adapter and regular power bank accessories. Please note that any malfunctions caused by using unauthorized accessories are not covered by the warranty. The user may pay for maintenance.
12. This product is certified by ROHS inspection report. Please operate the product in full compliance with relevant country's standards. Any malfunctions caused by incorrect use are not covered by warranty. The user may pay for maintenance.
13. The instructions and information in this manual are based on thorough, controlled company testing procedures. Further notice will not be given if the design or specifications change.

## FCC Declaration of Conformity

### WARNING

Changes or modifications not expressly approved by the party responsible for compliance could void the user's authority to operate the equipment.

### NOTICE

This equipment has been tested and found to comply with the limits for a Class B digital device, pursuant to Part 15 of the FCC Rules. These limits are designed to provide reasonable protection against harmful interference in a residential installation. This equipment generates, uses, and can radiate radio frequency energy and, if not installed and used in accordance with the instructions, may cause harmful interference to radio communications. However, there is no guarantee that interference will not occur in a particular installation.

If this equipment does cause harmful interference to radio or television reception, which can be determined by turning the equipment off and on, the user is encouraged to try to reorient or relocate the receiving antenna.

- Increase the separation between the equipment and receiver.
- Connect the equipment to an outlet on a different circuit than the receiver is connected to.
- Consult the dealer or an experienced radio/TV technician for help.

## RF Warning Statement

This device has been evaluated to meet general RF exposure requirements.

# Disclaimer

It is important to read the product manual of this product prior to use in order to ensure proper use with a complete understanding. The product manual should be securely stored for future reference after reading. Improper operation of this product may result in severe personal injury to yourself or others, as well as potential damage to the product and loss of property. As soon as you use the product, you are deemed to have understood, recognized and accepted all the terms and contents of the product manual. Users assume responsibility for their own conduct and any resulting consequences. amaran is not liable for any damages suffered as a result of the user's failure to use the product in accordance with product manual.

Please visit the official [amarancreators.com](https://amarancreators.com) website for the latest product information.