



# MOMCUBE™ BREAST MILK FREEZER

## *User Manual*

### **Models:**

FS24LMC  
FS30LMC  
ALFZ36MC  
ALFZ36LMCTBC  
VT65MLBIMCADA

**BEFORE USE, PLEASE READ AND FOLLOW ALL SAFETY RULES AND OPERATING INSTRUCTIONS**

*Write Model and Serial Numbers here:*

*Model:* \_\_\_\_\_

*Serial No.:* \_\_\_\_\_

**Accucold Division of Felix Storch, Inc.  
An ISO 9001:2015 registered company  
770 Garrison Avenue  
Bronx, NY 10474  
[www.accucold.com](http://www.accucold.com)**

# ABOUT THE MOMCUBE™ FREEZER

MOMCUBE™ refrigeration products are specially designed for the storage of breast milk in a variety of facilities, from daycare centers and office environments to maternity wards and newborn units.

Freezers in the MOMCUBE™ line are designed for the long term storage of frozen milk under the temperature recommendations suggested by the CDC for healthy, full-term babies. Breast milk stored in a freezer should be kept at 0°F (-18°C) or colder, and should be used within 6 months of pumping. Breast milk should not be stored for longer than 12 months in a freezer.

In addition to this MOMCUBE™ freezer, Accucold also offers an extensive selection of all-refrigerators designed to maintain the CDC recommended temperature conditions for freshly expressed breast milk. These units maintain an interior temperature between 33° and 40°F, which is a colder, tighter range than traditional household or dorm style refrigerators.

If you or your facility needs additional storage solutions, we encourage you to visit us online:

More about MOMCUBE™: [momcube.com](http://momcube.com)

Medical & Life Science Equipment: [accucold.com](http://accucold.com)

Residential & Commercial Appliances: [summitappliance.com](http://summitappliance.com)

# TABLE OF CONTENTS

<b><i>Equipment Safety</i></b>	<b>4</b>
<b><i>Important Safeguards</i></b>	<b>4-5</b>
<b><i>Installation Instructions</i></b>	<b>6-10</b>
<i>Before Using Equipment</i>	6
<i>Installation of your Equipment</i>	6
<i>Electrical Connection</i>	7
<i>Extension Cord</i>	7
<i>Reversing the Door</i>	8-10
<b><i>Operating your Freezer</i></b>	<b>11</b>
<i>Setting the Temperature Control</i>	11
<b><i>Care and Maintenance</i></b>	<b>12-13</b>
<i>Defrosting your Freezer</i>	12
<i>Cleaning your Freezer</i>	12
<i>Vacation Time</i>	12
<i>Moving your Freezer</i>	12
<i>Energy Saving Tips</i>	13
<b><i>Problems with your Freezer</i></b>	<b>14</b>
<b><i>Notes</i></b>	<b>15</b>
<b><i>Limited Warranty</i></b>	<b>16</b>

# EQUIPMENT SAFETY

Your safety and the safety of others are very important.

We have provided many important safety messages in this manual and on your unit. Always read and obey all safety messages.



This is the Safety Alert Symbol. The symbol alerts you to potential hazards that can kill or injure you and others. All safety messages will follow the Safety Alert Symbol and either the words "DANGER" or "WARNING".



DANGER means that failure to heed this safety statement may result in severe personal injury or death.



WARNING means that failure to heed this safety statement may result in extensive product damage, serious personal injury, or death.

All safety messages will alert you about the potential hazard, tell you how to reduce the chance of injury, and let you know what can happen if the instructions are not followed.

---

## IMPORTANT SAFEGUARDS



Before the equipment is used, it must be properly positioned and installed as described in this manual, so read the manual carefully. To reduce the risk of fire, electrical shock or injury when using this equipment, follow basic precautions, including the following:



- Plug into a grounded 3-prong outlet, do not remove grounding prong, do not use an adapter, and do not use an extension cord.
- Replace all panels before operating.
- It is recommended that a separate circuit serving only your unit be provided. Use receptacles that cannot be turned off by a switch or pull chain.
- Never clean the equipment parts with flammable fluids. These fumes can create a fire hazard or explosion. And do not store or use gasoline or other flammable vapors and liquids in the vicinity of this or any other pieces of equipment. The fumes can create a fire hazard or explosion.
- Before proceeding with cleaning and maintenance operations, make sure the power line of the unit is disconnected.
- Do not connect or disconnect the electric plug when your hands are wet.
- Unplug the unit or disconnect power before cleaning or servicing. Failure to do so can result in electrical shock or death.
- Do not attempt to repair or replace any part of your unit unless it is specifically recommended in this manual. All other servicing should be referred to a qualified technician.
- This unit is CFC- and HFC-free and contains a small quantity of Isobutane (R600a), which is environmentally friendly but flammable. It does not damage the ozone layer, nor does it increase the greenhouse effect. Care must be taken during transportation and setting up of the unit that no parts of the cooling system are damaged. Leaking coolant can ignite and may damage the eyes.

- In the event of any damage:
  - Avoid open flames and anything that creates a spark,
  - Disconnect from the electrical power line,
  - Air the room in which the unit is isolated for several minutes, and
  - Contact the Service Department for advice.
- The more coolant there is in a unit, the larger the room it should be installed in. In the event of a leakage, if the unit is in a small room, there is the danger of combustible gases building up. For every ounce of coolant, at least 325 cubic feet of room space is required. The amount of coolant in the unit is stated on the data plate inside the unit. It is hazardous for anyone other than an Authorized Service Person to carry out servicing or repairs to this piece of equipment.
- Take serious care when handling, moving, and using the unit to avoid either damaging the refrigerant tubing or increasing the risk of a leak.
- Replacing component parts and servicing shall be done by factory authorized service personnel so as to minimize the risk of possible ignition due to incorrect parts or improper service.

## ⚠ WARNING ⚠

FOLLOW WARNING CALLOUTS BELOW  
ONLY WHEN APPLICABLE TO YOUR  
MODEL

- Use two or more people to move and install **unit**. Failure to do so can result in back or other injury.
- To ensure proper ventilation for your **unit**, the front of the unit must be completely unobstructed. Choose a well-ventilated area with temperatures above 60°F (16°C) and below 90°F (32°C). [For optimal performance, install the unit where the ambient temperature is between 72° and 78°F (23°-26°C).] This unit must be installed in an area protected from the elements, such as wind, rain, water spray or drips.
- The unit should not be located next to ovens, grills or other sources of high heat.
- The unit must be installed with all electrical, water and drain connections in accordance with state and local codes. A standard electrical supply (115 V AC only, 60 Hz), properly grounded in accordance with the National Electrical Code and local codes and ordinances, is required.
- Do not kink or pinch the power supply cord of the unit.
- The size of the fuse (or circuit breaker) should be 15 amperes.
- It is important that the equipment be leveled in order to work properly. You may need to make several adjustments to level it.
- All installations must be in accordance with local plumbing code requirements.
- Make certain that the pipes are not pinched, kinked or damaged during installation.
- Check for leaks after connection.
- Never allow children to operate, play with or crawl inside the unit.
- Do not use solvent-based cleaning agents or abrasives on the interior. These cleaners may damage or discolor the interior.
- Use this equipment only for its intended purpose as described in this *Instruction Manual*.
- Keep fingers out of the “pinch point” areas. Clearances between the door and cabinet are necessarily small. Be careful closing the door when children are in the area.

## ⚠ DANGER ⚠

### ***Risk of child entrapment!***

Child entrapment and suffocation are not problems of the past. Junked or abandoned appliances are still dangerous, even if they will “just sit in the garage a few days.”

*Before discarding your old refrigerator:*

- *Take off the doors*
- *Leave the shelves in place so that children may not easily climb inside*

**SAVE THESE INSTRUCTIONS**

# INSTALLATION INSTRUCTIONS

## Before Using Your Freezer

- Remove the exterior and interior packing.

**CAUTION:** After unpacking you *MUST* allow this unit to stand upright for at least 2 hours to allow the lubricant and refrigerant to drain back into the compressor and stabilize. Failure to do so may adversely affect performance and the lifetime of this unit.

- Clean the interior surface with lukewarm water, using a soft cloth.

## Installation of your Equipment

- The FS24LMC and FS30LMC model numbers are designed for free-standing installation and indoor use only.
- The VT65MLBIMCADA and ALFZ36MC/ALFZ36LMCTBC can be installed either as a free-standing or built-in unit for indoor use. If it will be built-in, allow at least 3/16" of clear space on both sides and at the top, and 2" at the back. Take care that the air vents at the front are never covered or blocked in any way.
- Do NOT store or install the unit outdoors.

**CAUTION:** This equipment is designed for the storage of breast milk. We recommend not storing other food or beverages inside.

- Place the freezer on a floor that is strong enough to support it when it is fully loaded. To level the unit, adjust the front leveling legs.
- For the FS24LMC and FS30LMC, allow at least 5" (127mm) of space between the back, top, and sides of the unit. This allows the proper air circulation to cool the compressor and condenser for energy saving. The air vent at the front of the unit must never be covered or blocked in any way.

**NOTE:** It is recommended that you do not install the unit near an oven, radiator or other heating source. Direct sunlight may affect the acrylic coating and heat sources may increase electrical consumption. Don't install in a location where the temperature will fall below 60°F (16°C). For best performance, do not install the unit behind a cabinet door or block the base grille.

- Avoid locating the unit in moist areas.
- Plug the unit into an exclusive, properly grounded wall outlet. Do not under any circumstances cut or remove the third (ground) prong from the power cord. Any questions concerning power and/or grounding should be directed toward a certified electrician or an authorized service center.

## Electrical Connection



### **WARNING**

Improper use of the grounded plug can result in the risk of electrical shock. If the power cord is damaged, have it replaced by a qualified electrician or an authorized service center.

This unit should be properly grounded for your safety. The power cord of this unit is equipped with a three-prong plug which mates with standard three-prong wall outlets to minimize the possibility of electrical shock.

Do not, under any circumstances, cut or remove the third (ground) prong from the power cord supplied. For personal safety, this equipment must be properly grounded.

This unit requires a standard 115/120 Volt AC ~ 60Hz three-prong grounded electrical outlet. Have the wall outlet and circuit checked by a qualified electrician to make sure the outlet is properly grounded. When a standard 2-prong wall outlet is encountered, it is your responsibility and obligation to have it replaced with a properly grounded 3-prong wall outlet.

To prevent accidental injury, the cord should be secured behind the unit and not left exposed or dangling.

The unit should always be plugged into its own individual electrical outlet which has a voltage rating that matches the rating label on the unit. This provides the best performance and also prevents overloading house wiring circuits that could cause a fire hazard from overheating. Never unplug the unit by pulling on the power cord. Always grip the plug firmly and pull straight out from the receptacle. Repair or replace immediately all power cords that have become frayed or otherwise damaged. Do not use a cord that shows cracks or abrasion damage along its length or at either end. When moving the equipment, be careful not to damage the power cord.

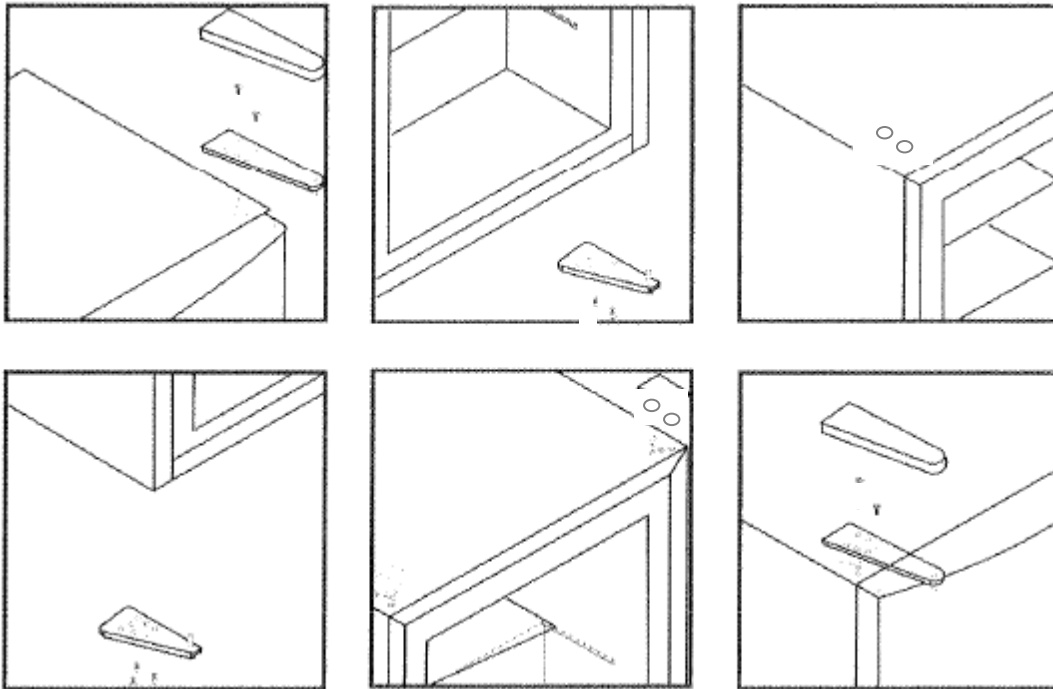
## Extension Cord

Because of potential safety hazards under certain conditions, it is strongly recommended that you do not use an extension cord with this equipment. However, if you must use an extension cord it is absolutely necessary that it be a UL/CUL-Listed, 3-wire grounding type equipment extension cord having a grounding type plug and outlet and that the electrical rating of the cord be 115 volts and at least 10 amperes.

## Reversing the Door Swing of Your Freezer

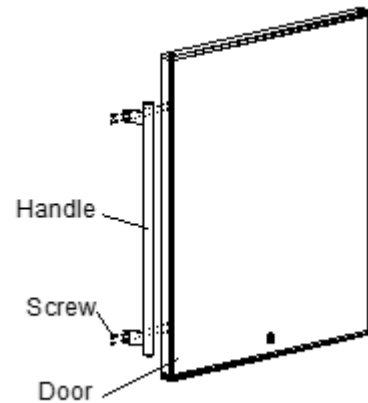
The MOMCUBE freezer models are delivered with the door opening from the left-hand side. All of the models have the capability of reversing the side of the door opening. Check your freezer's model number, and use the appropriate instructions for reversing your door. If you have a problem, call ACCUCOLD Customer Service at **1-800-932-4267**.

- For the FS24LMC and FS30LMC models:



1. Remove the door hinge cover from atop the upper door hinge, and set aside.
2. Remove the hinge screws from the upper hinge, and set aside.
3. Carefully lift the door off the lower hinge, and set aside.
4. Remove the lower hinge screws and the lower hinge from the bottom of the cabinet.
5. Move the lower hinge to the opposite side of the cabinet, and attach using the lower hinge screws.
6. Mount the door onto the lower hinge.
7. Be careful to hold the door against the front of the cabinet, set the upper hinge on the opposite side of the cabinet, and screw the upper hinge into the door.
8. Replace the door hinge cover.

- For model numbers ALFZ36MC:
  1. Take the upper hinge cover from the door and remove the screws that hold the top hinge
  2. Lift the hinge straight up to free the hinge pin from the socket in the top of the door
  3. Lift the door up and away to free its bottom socket from the hinge pin
  4. Remove the screws to the bottom hinge
  5. Remove the decorative caps from the opposite side and plug the holes from the original side with the decorative caps
  6. Move the bottom hinge to the opposite side and tighten the screws. Use any lock washers or nuts if they were used in the original installation.
  7. Replace door onto the hinge pin on the bottom hinge. Place top hinge pin into door. Insert screws into the top hinge.



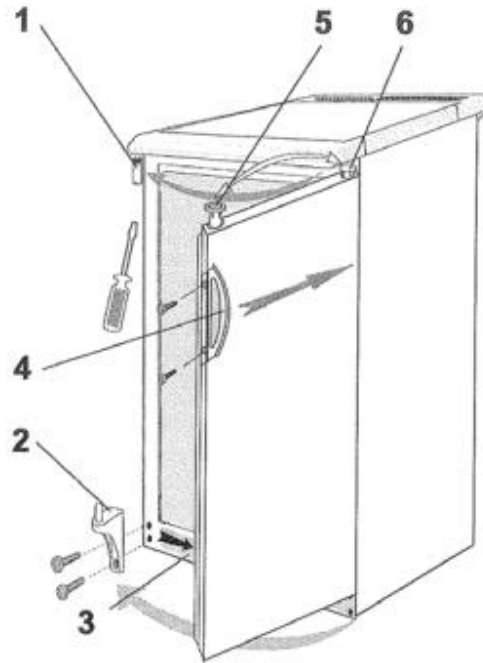
*Note: model ALFZ36LMCTBC is not designed to be reversed after purchase*

### **Installing the Handle**

This appliance includes a handle that is not required to operate the unit. To install the handle, follow the instructions below:

1. Use a screwdriver to remove the screws on the side of door where the handle is to be installed.
2. Align the handle with the screws removed in step # 1. Tighten the screws using a Phillips head screwdriver until the handle is both flush and secured tightly against the door side. (DO NOT over-tighten as this will cause damage to the door surface.)

- For model number VT65MLBIMCADA:



**1. Upper hinge fastener**

**2. Lower hinge**

**3. Kick plate**

**4. Handle**

**5. Door hinge fixture**




**6. Door hinge fixture plug**

1. Unscrew the lower hinge, and take off the door.
2. Push the kick plate to the right, into the opposite position.
3. Undo the upper hinge fastener, and fix it to the opposite side of the housing, where you have already removed and replaced the fastener with the hole on the opposite side.
4. Put the door on the upper hinge fastener.
5. Fix the lower hinge into the new position.
6. Unscrew the handle, and place it on the opposite side.
7. Some screws are covered with caps. Take off these caps before undoing the screws.
8. Check the gasket. It should not be creased and should seal well.

# OPERATING YOUR FREEZER

## Setting the Temperature Control

Your MOMCUBE™ freezer should arrive with its temperature preset for optimum breast milk storage. If, however, the temperature needs to be reset, use the appropriate setting below, based on your model number:

Model Number	Controller type	Controller setting	
FS24LMC	Dial thermostat	<b>MAX</b>	1. Set the controller to <b>MAX</b> . After 24-48 hours, the temperature will be set.
ALFZ36MC/ALFZ36LMCTBC	Digital thermostat	<b>-4 °F</b>	1. Push and hold the SET key for 3 seconds. 2. When the display shows <b>St</b> , use the  key to raise and the  key to lower the temperature to <b>-5 °F</b> . 3. Press the  key, or press no key for 30 seconds and the temperature will be set.
FS30LMC	Dial thermostat	<b>Normal</b>	1. Set the controller to <b>MAX</b> . 2. After 24-48 hours, adjust the controller to <b>NORMAL</b> .
VT65MLBIMCADA	Digital controller, located at the bottom right corner, below the door	<b>-5 °F</b>	1. Push and hold the SET key for at least 3 seconds. 2. Push the UP/DOWN arrows, and set the temperature at <b>-5 °F</b> . 3. Do not press any key for at least 15 seconds, and the temperature will be set.

**NOTE:** If the freezer is unplugged, has lost power, or is turned off, you must wait 3 to 5 minutes before restarting the unit. If you attempt to restart before this time delay, the freezer will not start.

# CARE AND MAINTENANCE

## Defrosting Your Freezer

Your freezer requires manual defrosting, which should be done when the frost on the freezer walls reaches 1/8" to 1/4" in thickness.

### To Defrost:

1. Remove any frozen items in the freezer, and take care the items do not begin to thaw.
2. Unplug the freezer and remove the shelves. The defrosting process is accelerated if the door is left open.
3. Use a sponge or towel to remove water and melting ice from the freezer floor.
4. After the frost or ice has melted, dry the interior of the freezer thoroughly.
5. Restart the freezer by plugging it in, replacing the shelves, and turning the thermostat to the desired temperature (see the "Setting the Temperature Control" section on the previous page).
6. Replace any items in the freezer, once it has reached the desired temperature.

**CAUTION:** Do not use boiling water or an electric device, such as a hair dryer, to help speed the defrosting process. This could damage the unit. Also, never use a sharp or metallic instrument to remove frost, as it may damage the cooling coils and will void the warranty. Using a plastic scraper is recommended.

## Cleaning Your Freezer

- Turn the temperature control to "OFF", unplug the freezer and remove the contents, including shelves.
- Wash the inside surfaces with a warm water and baking soda solution. The solution should consist of about 2 tablespoons of baking soda to a quart of water.
- Wash the shelves and trays with a mild detergent solution.
- The outside of the freezer should be cleaned with mild detergent and warm water.
- Wring excess water out of the sponge or cloth before cleaning the area of the controls, or any electrical parts.
- Wash the outside cabinet with warm water and mild liquid detergent. Rinse well and wipe dry with a clean soft cloth.

## Vacation Time

- **Short vacations:** Leave the freezer operating during vacations of less than three weeks.
- **Long vacations:** If the freezer will not be used for several months, remove contents and unplug the power cord. Clean and dry the interior thoroughly. To prevent odor and mold growth, leave the door open slightly, blocking it open if necessary.

## **Moving Your Freezer**

- Remove all stored items.
- Securely tape down all loose items, such as shelves, inside your freezer.
- Turn the leveling screw up to the base to avoid damage.
- Tape the door shut.
- Be sure the freezer stays secure in the upright position during transportation. Also protect the outside of the freezer with a blanket or similar item.

## **Energy Saving Tips**

- The freezer should be located in the coolest area of the room, away from heat-producing appliances, and out of the direct sunlight.
- Let warm items cool to room temperature before placing in the freezer. Overloading the freezer forces the compressor to run longer.
- Be sure to package stored items properly and wipe containers dry before placing them in the freezer. This cuts down on frost build-up inside the freezer.
- Freezer shelves should not be lined with aluminum foil, wax paper, or paper toweling. Liners interfere with cold air circulation, making the freezer less efficient.
- Organize and label items to reduce door openings and extended searches. Remove as many items as needed at one time, and close the door as soon as possible.

# PROBLEMS WITH YOUR FREEZER

You can solve many common freezer problems easily, saving you the cost of a possible service call. Try the suggestions below to see if you can solve the problem before calling the servicer.

## TROUBLESHOOTING GUIDE

PROBLEM	POSSIBLE CAUSE
The freezer does not operate.	The freezer is not plugged in The circuit breaker has tripped, or a fuse has blown. The freezer temperature control is set at "OFF".
The freezer turns on and off frequently.	The room temperature is warmer than normal. A large number of items have been added to the freezer. The door is opened too often. The door is not closed completely. The temperature control is not set correctly. The door gasket does not seal properly. The freezer does not have the correct clearances.
Vibrations	Check to be sure the freezer is level.
The freezer seems to make too much noise.	A rattling noise may come from the flow of the refrigerant, which is normal. As each cycle ends, you may hear gurgling sounds caused by the flow of refrigerant in your freezer. Contraction and expansion of the inside walls may cause popping and crackling noises. The freezer is not level.
The door will not close properly.	The freezer is not level. The door was reversed and not properly installed. The gasket is dirty. Shelves, bins, or baskets are out of position.

If your freezer shows other symptoms than those described above, or if you have checked all items listed as the cause and the problem still exists, then call ACCUCOLD Customer Service at **1-800-932-4267**.

# NOTES

# LIMITED WARRANTY

## TWO-YEAR LIMITED WARRANTY

Within the 48 contiguous United States, for two years from the date of purchase, when this unit is operated and maintained according to instructions attached to or furnished with the product, warrantor will pay for factory-specified parts and repair labor to correct defects in materials or workmanship. Service must be provided by a designated service company. Outside the 48 states, all parts are warranted for two years from manufacturing defects. Plastic parts, shelves and cabinets are warranted to be manufactured to commercially acceptable standards and are not covered from damage during handling or breakage.

## FIVE-YEAR COMPRESSOR WARRANTY

1. The compressor is covered for five years.
2. Replacement does not include labor.

### *ITEMS WARRANTOR WILL NOT PAY FOR:*

1. Service calls to correct the installation of your equipment, to instruct you how to use your equipment, to replace or repair fuses or to correct wiring or plumbing.
2. Service calls to repair or replace unit light bulbs or broken shelves. Consumable parts (such as filters) are excluded from warranty coverage.
3. Damage resulting from accident, alteration, misuse, abuse, fire, flood, acts of God, improper installation, installation not in accordance with electrical or plumbing codes, or use of products not approved by warrantor.
4. Replacement parts or repair labor costs for units operated outside the United States.
5. Repairs to parts or systems resulting from unauthorized modifications made to the unit.
6. The removal and reinstallation of your unit if it is installed in an inaccessible location or is not installed in accordance with published installation instructions.

## **DISCLAIMER OF IMPLIED WARRANTIES; LIMITATION OF REMEDIES**

CUSTOMER'S SOLE AND EXCLUSIVE REMEDY UNDER THIS LIMITED WARRANTY SHALL BE PRODUCT REPAIR AS PROVIDED HEREIN. IMPLIED WARRANTIES, INCLUDING WARRANTIES OF MERCHANTABILITY OR FITNESS FOR A PARTICULAR PURPOSE, ARE LIMITED TO ONE YEAR. WARRANTOR SHALL NOT BE LIABLE FOR INCIDENTAL OR CONSEQUENTIAL DAMAGES. SOME STATES DO NOT ALLOW THE EXCLUSION OR LIMITATION OF INCIDENTAL OR CONSEQUENTIAL DAMAGES, OR LIMITATIONS ON THE DURATION OF IMPLIED WARRANTIES OF MERCHANTABILITY OR FITNESS, SO THESE EXCLUSIONS OR LIMITATIONS MAY NOT APPLY TO YOU. THIS WARRANTY GIVES YOU SPECIFIC LEGAL RIGHTS AND YOU MAY ALSO HAVE OTHER RIGHTS, WHICH VARY FROM STATE TO STATE.



**WARNING: This product can expose you to chemicals including Nickel (Metallic) which is known to the State of California to cause cancer.**

For more information go to [www.P65Warnings.ca.gov](http://www.P65Warnings.ca.gov)

Note: Nickel is a component in all stainless steel and some other metallic compositions.

**Accucold Division of Felix Storch, Inc.**  
**An ISO 9001:2015 registered company**  
**770 Garrison Avenue**  
**Bronx, NY 10474**  
**[www.accucold.com](http://www.accucold.com)**

**accucold**

For parts and accessory ordering,  
troubleshooting and helpful hints, visit:  
**[www.accucold.com/support](http://www.accucold.com/support)**

Revised 10/2020  
Printed in the USA