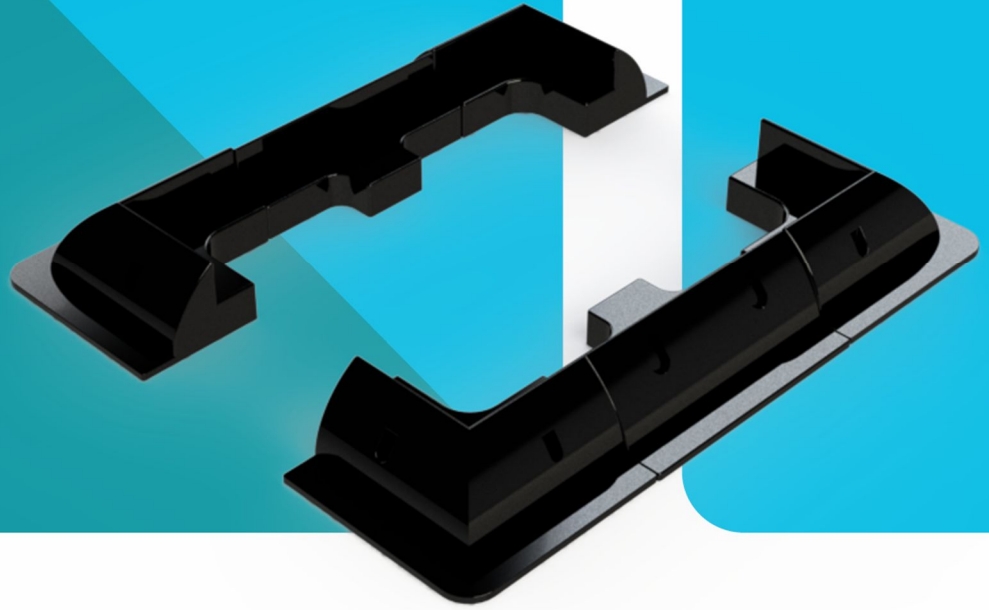


Renogy MTS-CB

Corner Bracket Mount



2775 E Philadelphia St, Ontario, CA 91761
1-800-330-8678

Version: 1.0

Important Safety Instructions

Please save these instructions.

⚠ WARNING: Indicates a potentially dangerous condition. Use extreme caution when performing this task.

CAUTION: Indicates a critical procedure for safe and proper operation of the system.

NOTE: Indicates a procedure or function that is important to the safe and proper operation of the system.

General Safety Information

- Read all of the instructions and cautions in the manual before beginning the installation.
- Installation should be completed by a professional contractor to avoid damages that may be incurred due to improper sealing.
- Do **NOT** substitute parts from other manufacture ring sources, doing so may void the warranty and/or result in an unstable system
- This system is **NOT** possess any compliance with residential structural codes and should not be used in place of a system that is, if so required by local regulations

Installer Responsibilities

- Installation compliance with any applicable codes which are in force at the installation site
- Installation compliance and compatibility with all system components and the environment including but not limited to roofing, system components, etc.
- Verification that all project information is accurate

Table of Contents

General Information	4
Identification of Components	4
Installation	5
Technical Specifications	10
Compatibility	10
Dimensions	10

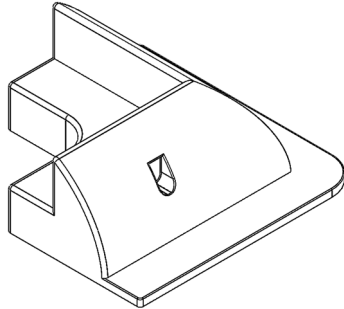
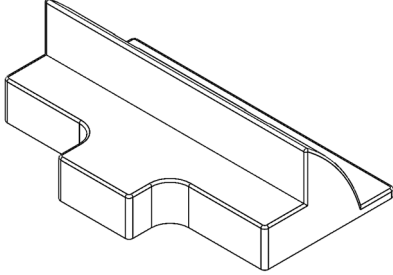
General Information

The Renogy Corner Bracket Mount (MTS-CB) can be used with virtually any aluminum framed solar panels to provide drill-free and secure mounting to flat surfaces. The MTS-CB raises the solar panel to an optimum height that establishes an air gap that improves panel output performance. Additionally, the mounts act as a wind deflector while maintaining the air gap. With the MTS-CB, installation is cleaner and more flexible on most motorhomes, caravans, or boats.

Key Features

- Non-corrosive, long lasting, and high quality ABS plastic construction
- 100% recyclable and UV resistant
- Drill-free mounting
- Designated for virtually any aluminum framed solar panels
- Best suitable for flat roofs of smooth aluminum, wood, or GRP material
- Easier and more flexible installation
- Compatible with all Renogy solar panels

Identification of Components

	Part	Quantity
Corner Bracket		4
Side Bracket		2

Installation

NOTE: These instructions are to serve as a simple guideline for installing the corner bracket mounts. Actual installations may vary with adhesive type or roof type. Consult your adhesive manufacturer for proper instructions of ABS plastic to a user defined roof material.

Recommended tools to have before installation:

- Assembly Adhesive (Sikaflex-252)
- Hand Pads (Scotchbrite Pads)
- Caulking gun
- Spirit Level
- Masking Tape
- Tape Measure

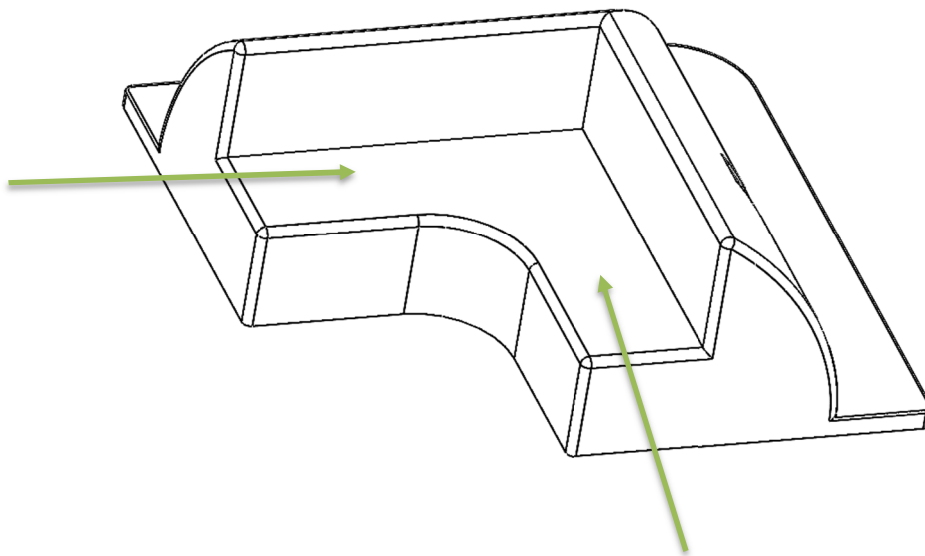


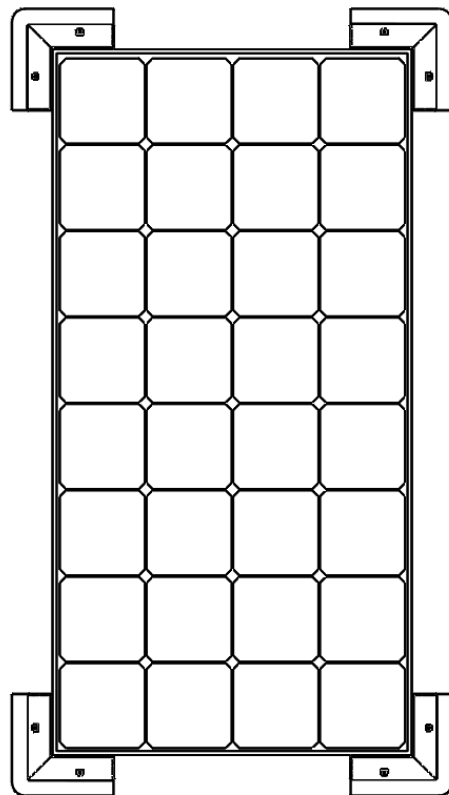
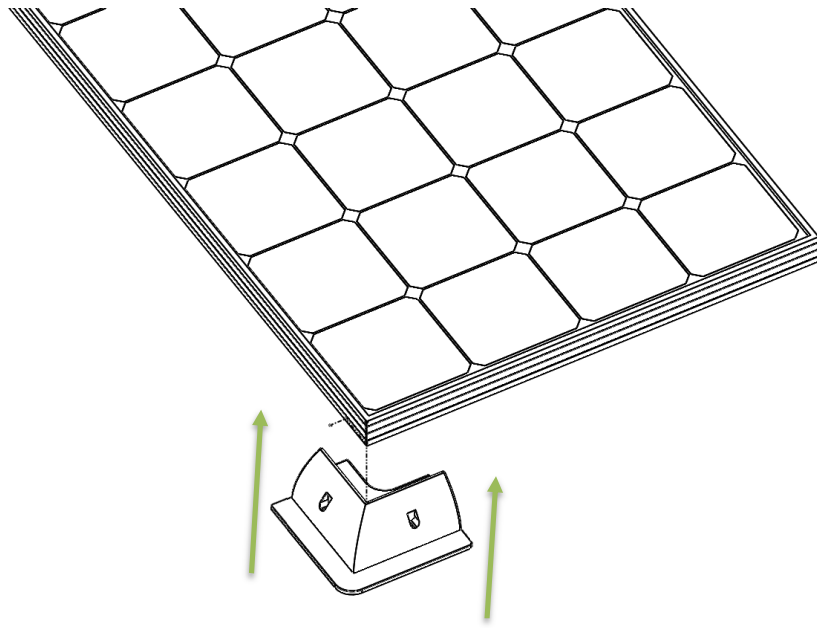
WARNING: Assembly adhesives contain hazardous chemicals that can be detrimental to one's health. Make sure to abide by the manufacturer's handling and care when using assembly adhesives.

1. Mate Corner Brackets to Solar Panel

- a. Apply adhesive to the top side of the corner bracket of where the panel will be installed
- b. Match corner bracket to solar panel corner
- c. Apply pressure to ensure proper contact
- d. Repeat for the other 3 corner brackets

NOTE: Adhere to adhesive manufacturer specifications for application and time to dry

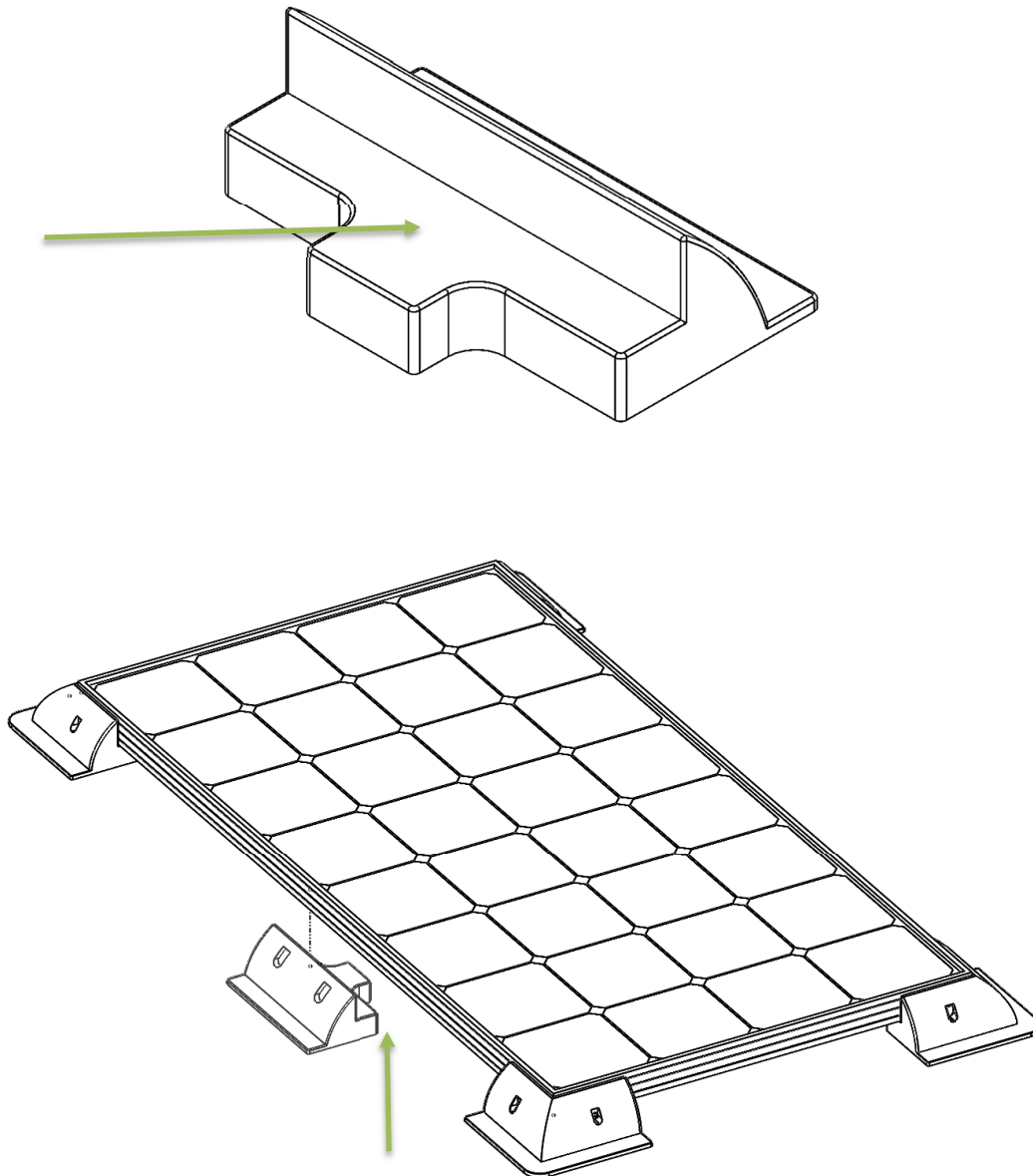


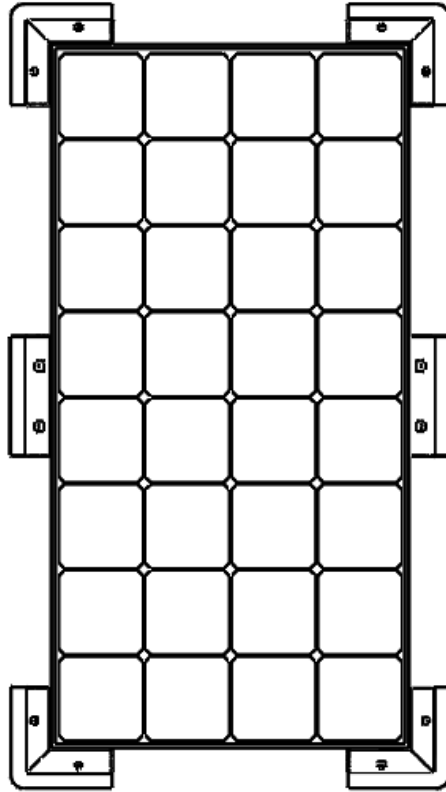


2. Mate Side Bracket to Solar Panel

- a. Apply adhesive to the top side of the side bracket of where the panel will be installed
- b. Place side bracket to solar panel side. Adjust for symmetry as needed.
- c. Apply pressure to ensure proper contact
- d. Repeat for the other side

NOTE: Adhere to adhesive manufacturer specifications for application and time to dry





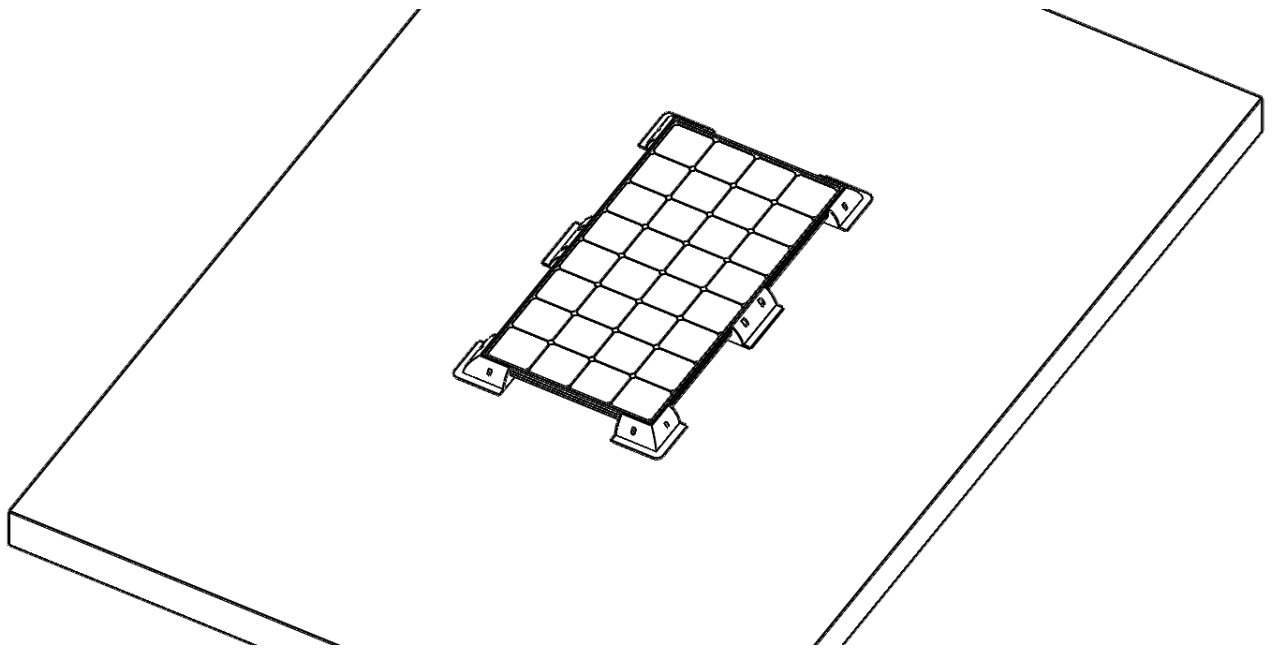
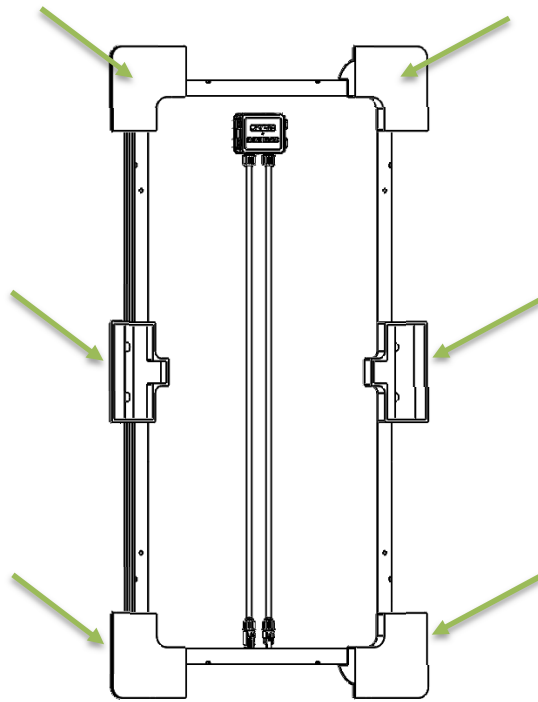
3. Apply Adhesive to the brackets and install on flat surface

NOTE: Always mark out where the solar panel will be located on the flat surface before proceeding to apply adhesive

NOTE: Ensure the proper solar panel orientation so that the wires are coming out of the user desired side

- a. Clean the surface of the brackets and of the flat surface to ensure maximum bonding potential
- b. Apply adhesive to the bottom side of all the brackets where they will make contact with the flat mounting surface
- c. Apply pressure to ensure proper contact

NOTE: Adhere to adhesive manufacturer specifications for application and time to dry



Technical Specifications

Parameter	Specification
Material	UV-resistant ABS Plastic
Weight (each component)	7.2 oz.
Side Bracket Dimensions (l x w x h)	7.0 x 4.6 x 2.3 in
Corner Bracket Dimensions (l x w x h)	5.9 x 5.9 x 2.3 in
Recommended Adhesive	Sikaflex 252 or alike

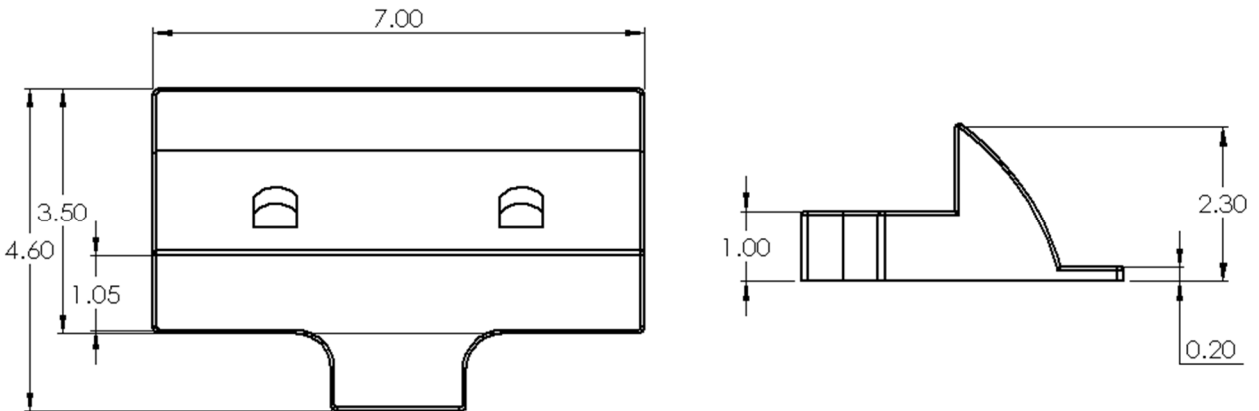
Compatibility

The MTS-CB mounts are compatible with all Renogy solar panels excluding the solar suitcase models.

Dimensions

Note: The following drawings utilize inches as their dimension units.

Side Bracket



Corner Bracket

