

Serenelife



**SLAIRFM10BL - SLAIRFM10RD
SLAIRFM10YL**

air mover

user manual

visit our website



SCAN ME

serenelifehome.com

PLEASE KEEP THIS MANUAL CAREFULLY FOR FUTURE REFERENCE. FOR HOUSEHOLD USE ONLY.

TABLE OF CONTENTS

Features and Technical Specs	03
Safety Instructions	04
Part Diagram	05
Usage	05
4 Airflow positions	06
Cleaning, Maintenance, & Storage Guide	07
Register Product	07



SLAIRFM10BL



SLAIRFM10RD



SLAIRFM10YL

California Prop 65 Warning

⚠️ WARNING:

This product may expose you to chemicals, which is known to the state of California to cause cancer, birth defects and other reproductive harm. Do not ingest.

For more info go to: www.P65warnings.ca.gov

Unique Elements:

- Impact-resistant PE Housing for Enhanced Durability

Features:

- High-speed Airflow for Rapid Drying and Optimal Air Circulation in Homes, Garages, and Workspaces
- 3 Speed Settings with Airflow Options
- 4 Adjustable Blower Angles (0°, 15°, 45°, and 90°)
- Stackable Design Allows you to Efficiently Store and Transport up to 4 Units
- Comes with a 10ft 14AWG Power Cord with Daisy Chain Feature to Connect Multiple Units for Expanded Coverage
- Compact and Portable Design
- Durable and Sturdy Construction
- No Assembly Required
- Simple Plug-in Operation for Immediate Use
- Can be Positioned Horizontally or Vertically, Providing Flexible Airflow for Both Drying and Ventilation
- Energy-efficient Design with Low Noise Operation (≤ 61 dB)
- Lightweight Design with Integrated Carrying Handle
- Helps Restore Dryness to Wet Floors, Carpets, and Other Surfaces
- Ideal for Drying Carpets, Floors, Walls, Furniture, and More

What's in the Box:

- Portable Air Mover

Technical Specs:

- Construction Materials: Plastic PE
- Power Supply: 120V AC, 60Hz
- Power Consumption: 225W
- Fan Speeds: 3 (Low/Medium/High) – Low: 1200 RPM, Medium: 1400 RPM, High: 1600 RPM
- Airflow: 600 / 800 / 1000 CFM (Low / Medium / High)
- Motor Power: 1/3 HP
- Motor Type: High-quality Low-noise Motor
- Operating Noise Level: ≤ 61 dB
- Safety Features: Overheat Protection and Automatic Shut-off
- Power Cord Length: 10 ft.
- Item Weight: 11 lbs
- Product Dimensions (L x W x H): 12.0 x 10.6 x 12.6 Inches

Safety Instructions

READ ALL INSTRUCTIONS AND WARNINGS BEFORE USING THIS PRODUCT.

This manual provides important information on proper operation and maintenance. While every effort has been made to ensure accuracy, these instructions do not cover every possible condition. We reserve the right to change this product at any time without prior notice.

IF THERE IS ANY QUESTION ABOUT A CONDITION BEING SAFE OR UNSAFE, DO NOT OPERATE THIS PRODUCT! CONTACT CUSTOMER SERVICE IMMEDIATELY.

FOR CONSUMER USE ONLY: Not intended for professional use.

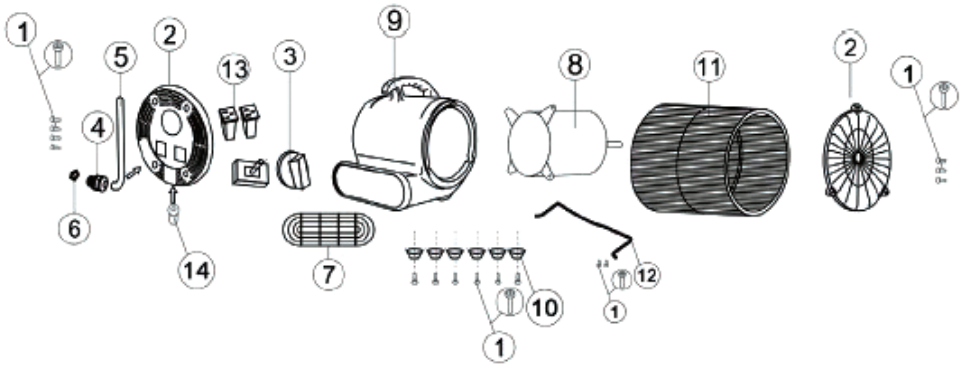
SAVE THIS MANUAL:

Keep your sales receipt and warranty information for future reference.

WARNINGS:

- **Extension Cords:** Avoid using extension cords. If necessary, ensure they are adequately rated for the electrical load. Undersized cords can overheat and cause a fire.
- **Electric Shock:** Do not operate the unit in standing water. Never plug or unplug the unit with wet hands.
- **Physical Safety:** Do not direct airflow toward the face or body.
- **Fire Risk:** Do not use this Air Mover with any solid-state speed control device.
- **Outlets:** Use only with GFCI-protected receptacles.
- **Maintenance:** Always unplug the unit before servicing or cleaning.
- **Cord Placement:** Do not run the cord under carpeting or cover it with rugs/runners. Keep the cord away from high-traffic areas to prevent tripping.
- **Children:** Do not allow children to play with or around the unit.
- **Operation:** Do not move or carry the unit while it is running.
- **Daisy Chain:** Use only Air Mover units together when daisy-chaining.
- **Circuit Breaker:** This unit has an on-board circuit breaker. If the auxiliary outlet overloads, the breaker will trip. If this occurs, unplug the units and press and hold the circuit breaker reset button.

Part Diagram



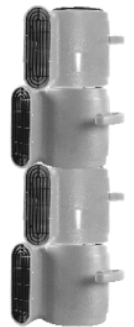
- | | |
|-------------------------------|--|
| 1. Screw | 8. AC Motor |
| 2. On/Off Rocker Switch | 9. Blower Housing |
| 3. Rocker Switch Cup | 10. Rubber Foot |
| 4. Strain Relief | 11. Blower Wheel (Cage) |
| 5. Power Cord: 10 ft (3.05 m) | 12. Kickstand |
| 6. Hex Nut | 13. Digital AV Port (Auxiliary Socket) |
| 7. Front Guard | 14. Circuit Breaker |

Usage

1. Plug the power cord into a 3-prong GFCI outlet.
2. Place the Air Mover on a stable, flat, and dry surface.
3. Adjust the unit to one of the 4 available angles to direct airflow.
4. Turn the power switch to the desired speed. Ensure the unit is operating normally. **Note:** The Air Mover must be supervised at all times during operation.



Stackable up to 4



Daisy Chain: You may connect up to 5 units using the auxiliary digital AV port (Max: 9A, 115V, 800W).

4 Airflow positions

0°



20°



45°



90°



Cleaning, Maintenance, & Storage Guide

To keep your Air Mover in top condition and ensure a long lifespan, follow these simple steps:

1. Cleaning

- **Safety First:** Always unplug the unit before cleaning.
- **Exterior:** Use a damp (not dripping) cloth with a mild detergent to wipe down the PE housing.
- **Grills:** Use a vacuum with a brush attachment or compressed air to remove lint and dust from the intake and exhaust guards.
- **Prohibited:** Never use a garden hose or pressure washer to clean the unit, as water can damage the motor.

2. General Maintenance

- **Cord Inspection:** Regularly check the power cord for frays, cuts, or damage. If the cord is damaged, do not use the unit.
- **Hardware:** Periodically check that the rubber feet and housing screws are tight.
- **Motor:** The motor is permanently lubricated and does not require oiling.

3. Proper Storage

- **Cord Wrap:** Neatly wrap the 10 ft (3.05 m) power cord to avoid tripping hazards or damage to the wire.
- **Stacking:** You may stack up to 4 units high to save space. Ensure they are aligned securely before moving.
- **Environment:** Store the unit indoors in a dry, clean place. Keep it out of reach of children and away from extreme temperatures.

Register Product

Thank you for choosing SereneLife. By registering your product, you ensure that you receive the full benefits of our exclusive warranty and personalized customer support. Complete the form to access expert support and to keep your SereneLife purchase in perfect condition.

Start Here



Model Number:
SLAIRFM10BL

[Serenelifehome.com/pages/register](https://serenelifehome.com/pages/register)



questions? comments?

We are here to help!

Phone: 1.718.535.1800

[serenelifehome.com/contact us](https://serenelifehome.com/contact-us)