

NEVER LEAVE THE HEATER UNATTENDED WHILE BURNING!

OPERATING INSTRUCTIONS AND OWNER'S MANUAL



PORTABLE BIG BUDDY RADIANT HEATER

Model #

MH18B

READ INSTRUCTIONS CAREFULLY: Read and follow all instructions. Place instructions in a safe place for future reference. Do not allow anyone who has not read these instructions to assemble, light, adjust or operate the heater.



PORTABLE PROPANE HEATER
USED FOR:
RECREATIONAL
AND COMMERCIAL

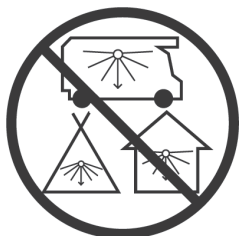
For Canada & Massachusetts Sale

Use only Mr. Heater branded accessories
(See page 10 for WARNING information)

LANGUAGES INCLUDED:

- ENGLISH
- FRENCH

DANGER:



CARBON MONOXIDE HAZARD

This appliance can produce carbon monoxide which has no odor. Using it in an enclosed space can kill you. Never use this appliance in an enclosed space such as a camper, tent, car or home.

FOR YOUR SAFETY

If you smell gas:
1. Do not attempt to light appliance.
2. Extinguish any open flame.
3. Disconnect from fuel supply.

FOR YOUR SAFETY

Do not store or use gasoline or other flammable vapors and liquids in the vicinity of this or any other appliance.

This Page Intentionally Left Blank



⚠️ WARNING:

Any changes to this heater or its controls can be dangerous.

⚠️ WARNING:

Early signs of carbon monoxide poisoning resemble the flu, with headache, dizziness and/or nausea. If you have these signs, heater may not be working properly. Get fresh air at once! Have heater serviced.

⚠️ WARNING:

Every time hose or tank is connected to unit, connection must be checked for leaks in one or more ways: Apply soapy water to connection, look for bubbles, listen for hiss of escaping gas, feel for extreme cold, smell for rotten egg odor. Do not use if leaking!

⚠️ WARNING:

THIS PRODUCT CAN EXPOSE YOU TO CHEMICALS INCLUDING LEAD AND LEAD COMPOUNDS, WHICH ARE KNOWN TO THE STATE OF CALIFORNIA TO CAUSE CANCER AND BIRTH DEFECTS OR OTHER REPRODUCTIVE HARM. FOR MORE INFORMATION VISIT WWW.P65WARNINGS.CA.GOV.

⚠️ WARNING:

FUELS USED IN LIQUEFIED PROPANE GAS APPLIANCES, AND THE PRODUCTS OF COMBUSTION OF SUCH FUEL, CAN EXPOSE YOU TO CHEMICALS INCLUDING BENZENE, WHICH IS KNOWN TO THE STATE OF CALIFORNIA TO CAUSE CANCER AND CAUSE BIRTH DEFECTS OR OTHER REPRODUCTIVE HARM, FOR MORE INFORMATION GO TO WWW.P65WARNINGS.CA.GOV.

⚠️ NOTICE:

Not for use in a "dwelling home" in California.

CONTENTS

- General Safety Instructions 3
- General Information 4
- Operating with Disposable Propane Cylinders 5
- Operating With Hose Connected to Remote Cylinder 6
- Maintenance 7
- Troubleshooting 7
- Parts List 8
- Parts Ordering Information 10
- Service Information 10

SPECIFICATIONS

| | |
|--------------------|-----------------------|
| MODEL NO. | MH18B |
| GAS TYPE..... | PROPANE |
| INPUT BTU/HR. | 4,000 / 9,000 /18,000 |

CLEARANCE TO COMBUSTIBLES

| | |
|-------------|-----|
| TOP..... | 30" |
| FRONT..... | 24" |
| SIDES | 6" |
| REAR..... | 0" |

CAUTION:

- Some carpets or linoleum surfaces may discolor if heater is placed directly on these floor coverings.
- **When operating the heater at altitudes over 7,000 FT above sea level the heater may shut off. (Please read the GENERAL INFORMATION)**

GENERAL SAFETY INSTRUCTIONS

THIS IS A HEATING APPLIANCE. DO NOT OPERATE THIS APPLIANCE WITHOUT THE FRONT WIRE GUARD INSTALLED. DO NOT ATTEMPT TO WARM OR COOK FOOD ON THIS HEATER.

- Do not use non-approved attachments on this heater.
- Due to high temperatures, the appliance should be located out of traffic and away from combustible materials.
- Children and adults should be alerted to the hazard of high surface temperatures and should stay away to avoid burns or clothing ignition.
- Young children should be carefully supervised when they are near the appliance.
- Do not place clothing or other flammable material on or near the appliance.
- Do not operate heater in any moving vehicle.
- This heater requires a vent area of 18 square inches (example 4 1/4" x 4 1/4" opening) minimum for adequate ventilation during operation. Do not use other fuel burning appliances inside.
- GAS PRESSURE AT HEATER IS REGULATED AND FIXED AT 11" W.C. WHEN USING A REMOTE HOSE CONNECTION TO HEATER TANK SWIVEL(S), DO NOT REGULATE OR REDUCE PROPANE TANK SUPPLY PRESSURE TO HEATER.
- **WARNING:** ANY HOSE CONNECTION TO A QUICK DISCONNECT FITTING ON HEATER MUST BE REGULATED TO 11" W.C. PRESSURE
- REGULATOR IN HEATER MUST ALWAYS BE IN PLACE DURING OPERATION.
- Any safety screen or guard removed for servicing the appliance must be replaced prior to operating the heater.



- The appliance should be inspected before each use. Frequent cleaning may be required. The control compartments, burner(s) and circulating air passageways of the appliance must be kept clean, see MAINTENANCE.
- DO NOT use this heater if any part has been under water. Immediately call a qualified service technician to inspect the heater and to replace any part of the control system and any gas control, which has been under water.
- When used without adequate combustion and ventilation air, this heater may give off excessive CARBON MONOXIDE, an odorless, poisonous gas.
- Some people - pregnant women, persons with heart or lung disease, anemia, those under the influence of alcohol, those at high altitudes - are more affected by carbon monoxide than others.
- When heater is placed on the ground, make sure the ground is level and keep any objects at least 24 inches from the front of the heater. THIS HEATER IS EQUIPPED WITH A TIP OVER SWITCH THAT WILL SHUT THE HEATER OFF IF THE HEATER TIPS OVER. HOWEVER, DO NOT LEAVE HEATER UNATTENDED OR WHERE CHILDREN MAY CAUSE THE HEATER TO TIP OVER. NEVER OPERATE THE HEATER WHILE SLEEPING!

⚠ WARNING:

Every time hose or tank is connected to unit, connection must be checked for leaks in one or more ways: Apply soapy water to connection, look for bubbles, listen for hiss of escaping gas, feel for extreme cold, smell for rotten egg odor. Do not use if leaking!

⚠ WARNING:

Any changes to this heater or its controls can be dangerous.

⚠ WARNING:

Early signs of carbon monoxide poisoning resemble the flu, with headache, dizziness and/or nausea. If you have these signs, heater may not be working properly. Get fresh air at once! Have heater serviced.

⚠ WARNING:

DO NOT USE THIS HEATER INSIDE!

GENERAL INFORMATION:

- When the heater is cold or at room temperature, it will take a few minutes for the burner(s) tile to turn bright orange. This is normal and the heater is working properly. If burner(s) tile is visibly flaming, turn heater off and call a qualified service technician.
- When the unit is lit, there should be about a quarter inch border around the tile that will not turn bright orange. This is normal.
- **When operating the heater at altitudes over 7,000 FT. above sea level, the unit may not burn as bright as in lower altitudes. This is normal. At higher altitudes, the heater may shut-off. If this happens, provide fresh air, wait 5 minutes and re-light. Due to local atmospheric conditions heater may not re-light.**
- Operating time will vary depending on the heater setting and the supply cylinder size. (One 1 lb. cylinder: 1.5 to 6 hours. Two 1 lb. cylinders: 3 to 12 hours. Two 20 lb. cylinders: 50 to 220 hours.) Heater may be operated from quick disconnect, one or both tank swivel inlets. Due to the properties of LP gas, run times can be significantly reduced when operating continuously at temperatures below 20° F. Use of a 20lb tank is recommended in these conditions.
- When moving heater when lit or bumping heater setting it down, tip over switch may shut off heater. If this happens, re-light.

NOTE: THIS HEATER MAY BE OPERATED WITH (1) OR (2) DISPOSABLE 1 LB. PROPANE CYLINDERS OR WITH A REMOTE REFILLABLE CYLINDER(S) MAX. 20 LBS USING (1) OR (2) F273701, F273702 OR F272702 HOSE ASSEMBLIES WITH FUEL FILTERS (F273699)(Fig. A) ON EACH HOSE ASSEMBLY. HOSE NO. F273704 BUDDY SERIES HOSE, FUEL FILTER NOT REQUIRED. IT MAY ALSO BE OPERATED WITH (1) F271802 HOSE ASSEMBLY CONNECTED TO A REGULATED (11" W.C.) PROPANE SOURCE *FILTER NOT REQUIRED* OR (1) F271803 HOSE ASSEMBLY WITH 11" REGULATOR WITH ACME NUT *FILTER NOT REQUIRED*.



Figure A



LIGHTING / OPERATING INSTRUCTIONS FOR USE WITH DISPOSABLE 1 LB.

PROPANE CYLINDERS:

WARNING: Always inspect propane cylinder and heater propane connections for damage, dirt, and debris before attaching propane cylinder. Do not use if head of cylinder is damaged, punctured or deteriorated.

ALWAYS ATTACH OR DETACH CYLINDER OUTDOORS AWAY FROM FLAMES, OTHER IGNITION SOURCES, AND ONLY WHEN HEATER IS COOL TO TOUCH. NEVER SMOKE WHEN ATTACHING OR REMOVING PROPANE CYLINDER OR MAKING REMOTE CONNECTIONS!

- Use only LP-gas cylinders marked in accordance with the U.S. Dept. of Transportation (DOT).
- Use only 16.4 oz. (1 lb.) disposable cylinders that mate with No. 600 valve connection.
- Heater and attached cylinder(s) must be in an upright position during operation.
- Make sure five-position Control Knob is in "OFF" position; see Figure 1.
- Screw 1 lb. disposable LP-gas supply cylinder(s) clockwise (from bottom) into portable heater until hand-tight.
DO NOT use thread sealant on this connection.
- Check cylinder(s) connection for leaks with soapy water at the threaded connection under the domed plastic cover where the cylinder screws into the tank swivel.
SEE WARNING!

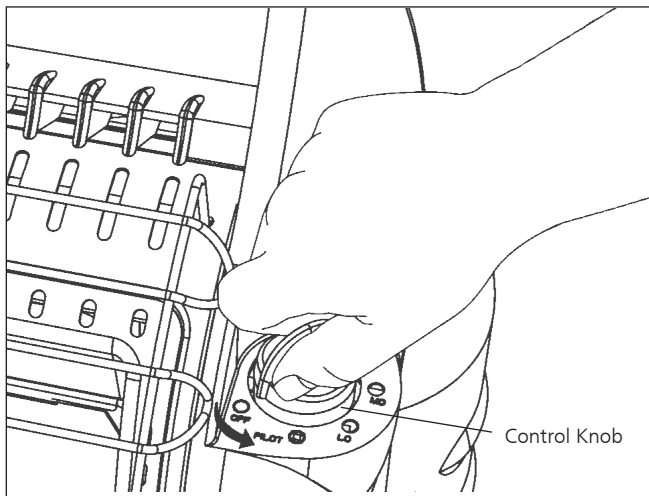


Figure1

- Depress the Control Knob and turn counterclockwise to the pilot position.
- Hold Control Knob down in the pilot position for 30-40 seconds.
- While holding down the Control Knob, rotate clockwise to the OFF position and immediately turn back to the pilot position, a spark will be generated at the pilot assembly and the heater should light.

- If the heater does not light on the first attempt, repeat the procedure.
- Once the pilot has lit, hold the Control Knob down for an additional 30 seconds to heat the thermocouple. After 30 seconds, release the Control Knob and the pilot should remain lit.
- If the pilot goes out repeat the lighting procedure.
- After lighting pilot, release Control Knob. Control Knob should return to fully extended position. To operate heater slightly depress knob and gently turn to lock in desired position.
- Turn control knob to "LO" or "MD" position to light heater. Leave on "LO" or "MD" position until first burner tile has turned bright orange.
- After first burner tile has turned bright orange, adjust heat output by turning Control Knob to desired position ("LO", "MD" or "HI") NOTE: Both tiles ignite only when Control Knob is positioned on 'HI'. **(2) 1 LB. propane bottles are needed to use heater in (HI) position.**

⚠ Warning:

DO NOT OPERATE HEATER UNLESS CONTROL KNOB IS LOCKED IN A POSITION MARKED "HI", "MD", "LO" or "PILOT". NEVER SET CONTROL KNOB BETWEEN LOCKED POSITIONS. POOR COMBUSTION AND HIGHER LEVELS OF

- To shut off heater, slightly push down and turn Control Knob clockwise to "OFF" position.
- **CAUTION:** After turning heater off, wire guard will remain hot. Allow to thoroughly cool before storing.
- Do not operate, store or remove cylinder(s) near flammable items or ignition sources.
- LP-GAS CYLINDERS MUST BE DISCONNECTED FROM HEATER WHEN NOT IN USE!

LIGHTING / OPERATING INSTRUCTIONS FOR USE WITH HOSE(S) CONNECTED TO A REMOTE CYLINDER, MAXIMUM SIZE 20 LBS:

- **WARNING:** ANY HOSE CONNECTION TO A QUICK DISCONNECT FITTING ON HEATER MUST BE REGULATED TO 11" W.C. PRESSURE
- Mr. Heater Hose No. **F271802** which includes a quick disconnect fitting and a 3/8" female flare fitting connected to a regulated (11" W.C.) propane source.
- Mr. Heater Hose No. **F271803** which includes a quick disconnect fitting and a 11" W.C. regulator.
- **DANGER!** NEVER bring a refillable propane cylinder indoors. A fire or explosion can occur causing property damage, serious injury or death!
- Inspect the hose before each use of the heater. If there is excessive abrasion or wear, or the hose is cut, replace prior to using the heater with one of the Mr. Heater Hose No's. shown above.
- The propane cylinder must include a listed overfilling protection device as well as a collar to protect the cylinder valve.
- Heater must be in an upright position during operation.
- Make sure five-position control knob is in "OFF" position; see Figure 1, at left.
- **Mr. Heater strongly recommends using disposable fuel filter F273699, which connects to tank swivel on heater to trap any oil substances when connected to a remote cylinder that can make the heater inoperable.**
- Screw hose connector into tank swivel or fuel filter on heater or connect to quick disconnect and screw connector on other end of hose into LP-gas supply cylinder valve. Tighten all hose connections. DO NOT use thread sealant on any of these connections.
- Open valve at LP-gas supply cylinder.
- Check all hose connections for leaks with soapy water at the threaded connection under the domed plastic cover where the hose connector screws into the tank swivel and/or fuel filter and at LP-gas supply cylinder. SEE WARNING!
- Depress the control knob and turn counter-clockwise to the pilot position.

- Hold control knob down in the pilot position for 1-5 seconds.
- While holding down the control knob, rotate clockwise to the OFF position and immediately turn back to the pilot position, a spark will be generated at the pilot assembly and the heater should light.
- If the heater does not light on the first attempt, repeat the procedure.
- Once the pilot has lit, hold the control knob down for an additional 30 seconds to heat the thermocouple. After 30 seconds, release the control knob and the pilot should remain lit.
- If the pilot goes out repeat the lighting procedure.
- After lighting pilot, release knob. Knob should return to fully extended position. To operate heater slightly depress knob and gently turn to lock in desired position.
- Turn control knob to "LO" or "MD" position to light heater. Leave on "LO" or "MD" position until first burner tile has turned bright orange.
- After first burner tile has turned bright orange, adjust heat output by turning Control Knob to desired position ("LO", "MD" or "HI" setting). **(2) 1 LB. propane bottles are needed to use heater in (HI) position.**

⚠ Caution: Do not try to adjust heating levels by using the propane tank shut-off valve,

Warning:

⚠ DO NOT OPERATE HEATER UNLESS CONTROL KNOB IS LOCKED IN A POSITION MARKED "HI", "MD", "LO" or "PILOT". NEVER SET CONTROL KNOB BETWEEN LOCKED POSITIONS. POOR COMBUSTION AND HIGHER LEVELS OF CARBON MONOXIDE MAY RESULT.

- To shut off heater, shut off propane at supply tank, allow heater to use-up propane in supply line until heater shuts off, then slightly push down and turn Control Knob clockwise to "OFF" position.
- **CAUTION:** After turning heater off, wire guard will remain hot. Allow to thoroughly cool before storing.
- When not in use, the gas must be turned off at the LP-gas supply cylinder. As stated before allow heater to use up propane in supply line until heater shuts off. When the LP-gas supply cylinder is not disconnected from the heater, the heater and the cylinder must be stored outdoors, in a well ventilated space, out of reach of children, and must not be stored in a building, garage or any other enclosed area.
- Indoor storage of the heater is permissible only if the cylinder is disconnected and removed from the heater. Cylinders must be stored outdoors out of the reach of children and must not be stored in a building, garage or any other enclosed area.

MAINTENANCE:

Always keep the heater area clear and free from combustible materials, gasoline and other flammable vapors and liquids. Keep the vent areas (slots in the bottom and the top at the front of heater) clear at all times.

Visually inspect the pilot flame and burner periodically during use. The pilot flame should be blue in color (not yellow) and will extend beyond the thermocouple. The flame will surround the thermocouple just below the tip, see Figure 2. A slight yellow flame may occur where the pilot flame and main burner flame meet. The burner(s) should be bright orange (with a slight blue color around the border, a red-orange haze that is visible on the ceramic tile is acceptable) and without a noticeable flame. A blue flame that rolls out at the top of the ceramic tile indicates an accumulation of dust, lint or spider webs inside the casing assembly and main burner assembly. If the pilot is yellow or the burner has a noticeable flame, cleaning may be required. Use the following procedure to inspect the casing assembly and main burner assembly.

It is necessary to periodically check the burner(s) orifice and burner venturi tube to make sure they are clear of insects/nests or spider webs that may accumulate over time. A clogged tube can lead to a fire.

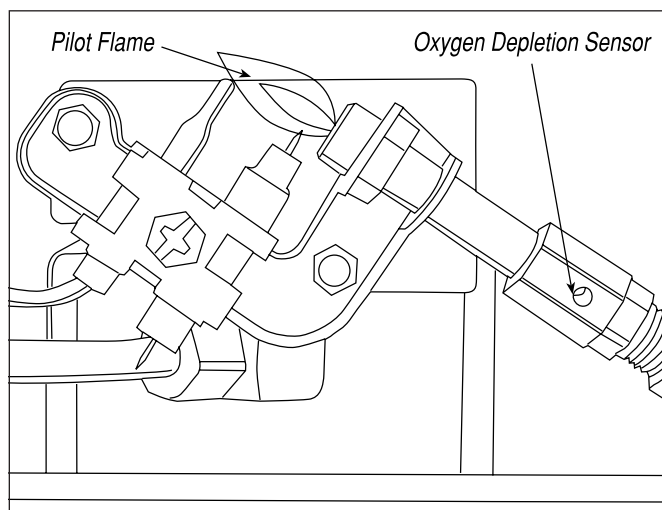


Figure 2

1. Allow heater to thoroughly cool before performing any maintenance.
2. Remove disposable 1 lb. cylinder(s) from heater or turn OFF gas supply at remote cylinder valve, and disconnect hose from heater.
3. Remove wire guard from front of heater by gently bending to remove from holes in front cover.
4. Remove (4) screws securing back cover to heater. Lift up slightly to release (2) plastic hooks on top of back cover.
5. Remove back cover.
6. Remove (3) screws attaching lower baffle to expose burner air openings.
7. Inspect interior of casing assembly for accumulation of dust, lint or spider webs. If necessary, clean interior of casing assembly with a vacuum cleaner or apply air pressure (max. 30 psi). Do not damage any components within casing assembly when you are cleaning.

8. Inspect and clean main burner orifice located at bottom of burner venturi tube, by using a vacuum or apply air pressure at orifice opening.
9. Inspect and clean pilot (mounted to bracket) by using a vacuum or apply air pressure through the holes in the pilot indicated by the arrows in Figure 2.
 - WARNING:** Never use needles, wires, or similar cylindrical objects to clean the pilot to avoid damaging the calibrated ruby that controls the gas flow.
10. Apply air pressure (max. 30 psi) into ceramic tile of burner(s) assembly and the venturi tube (with [2] air openings) to remove dust, lint or spider webs.
11. Reinstall lower baffle with (3) screws
12. Slide back cover over (2) plastic hooks on top of heater. Make sure rear cover aligns with plastic side covers. Install (4) screws to hold in place.

TROUBLESHOOTING INFORMATION:

If Spark electrode does not produce spark.

CHECK

- Spark electrode broken – replace.
- Igniter wire may not be attached to spark electrode – attach.
- Igniter wire damaged – replace.
- Piezo igniter on control valve defective – replace control valve.

If Spark electrode produces spark but pilot does not light.

CHECK

- No gas to heater – install disposable cylinder or connect hose and fuel filter then turn on valve at remote cylinder.
- “PILOT” position not properly aligned – turn gas control knob to “PILOT” position and depress.
- Pilot is blocked from spider web or dirt – clean pilot, see MAINTENANCE.

If Pilot flame does not stay lit when knob is released.

CHECK

- Control knob in “PILOT” position not completely depressed or held in long enough to purge air from lines.
- Pilot flame not surrounding thermocouple – clean pilot, see MAINTENANCE.
- Pilot Assembly defective – replace.
- Tip switch wires disconnected – connect.

If Main burner(s) does not ignite.

CHECK

- Main burner(s) orifice is blocked – clean burner(s), see MAINTENANCE.

If Heater keeps shutting “OFF” during normal operation.

CHECK

- Pilot is blocked – clean pilot, see MAINTENANCE.
- Provide minimum fresh air opening of 18 square inches (example 4 1/4” x 4 1/4” opening).
- Tip over switch activated from bumping heater. Re-light

PARTS LIST:

SEE BACK PAGE FOR PARTS ORDERING INFORMATION

| REF. # | ITEM # | DESCRIPTION |
|---------|-------------|--------------------------------------|
| 1..... | 78402 | HANDLE, ASSEMBLY |
| 3..... | 78442 | BACK, COVER |
| 9..... | 78410 | DOOR LEFT SIDE COVER |
| 10..... | 78411 | LEFT, SIDE, COVER |
| 11..... | 78412 | (2) REGULATORS, MH18B |
| 12..... | 78413 | TIE, WRAPS |
| 13..... | 78414 | BRACKET, LEFT, SIDE, REG, |
| 14..... | 78415 | LEFT, SIDE, GAS, SUPPLY, LINE |
| 15..... | 78518 | FRAME, ASSEMBLY |
| 16..... | 78417 | BRACKET, RIGHT, SIDE, REG, |
| 17..... | 78418 | KNOB, CONTROL |
| 18..... | 78419 | DOOR, RIGHT, SIDE, COVER |
| 19..... | 78420 | RIGHT, SIDE, COVER |
| 20..... | 78421 | VALVE, CONTROL, ASSEMBLY |
| 21..... | 78422 | PILOT, ASSEMBLY |
| 22..... | 78423 | SHIELD, HEAT, BACK |
| 23..... | 78424 | SHIELD, HEAT, FRONT |
| 24..... | 78516 | COVER, FRONT |
| 25..... | 78519 | GUARD, WIRE, FACE |
| 26..... | 78427 | BRACKET, BOTTOM, PLENUM, ASSEMBLY |
| 27..... | 78428 | PILOT, BRACKET |
| 28..... | 78515 | REFLECTOR |
| 29..... | 78526 | TILE |
| 30..... | 78525 | TILE, GASKET (NOT SHOWN) |
| 31..... | 78517 | PLENUM, BODY (2 REQUIRED) |
| 32..... | 78432 | BRACKET, TOP, PLENUM, ASSEMBLY |
| 33..... | 78527 | BURNER ORIFICE (NOT SHOWN) |
| 34..... | 78403 | TIP-SWITCH |

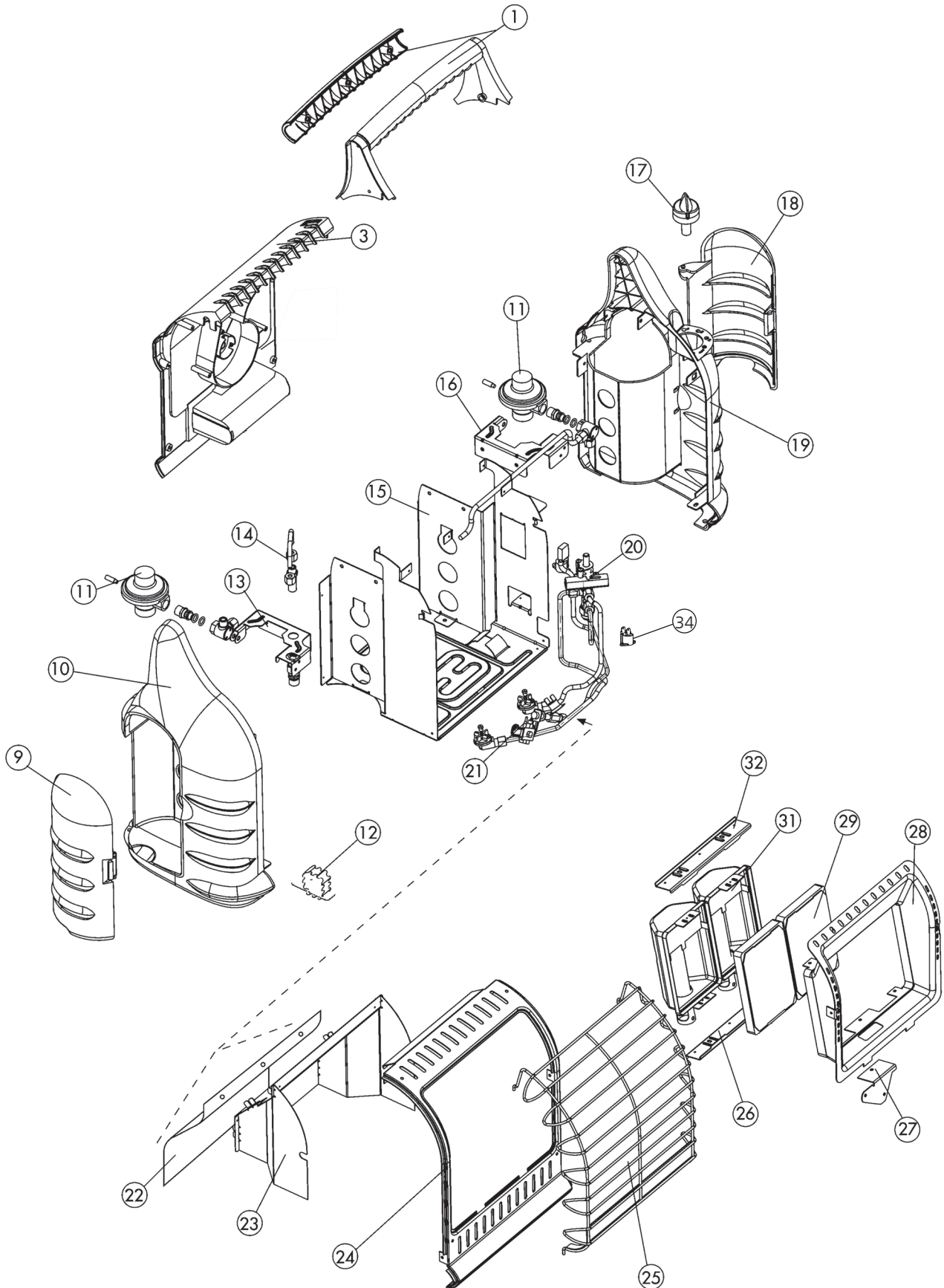
ACCESSORIES

| ITEM# | DESCRIPTION |
|---|---|
| RECOMMENDED F271802 | - 12 ft. PROPANE HOSE ASSEMBLY w/quick disconnect fittings and 3/8" female flare fitting |
| F271803 | - 12 ft. PROPANE HOSE ASSEMBLY w/quick disconnect fittings and 11" W.C. regulator w/Acme nut. |
| The following hose assemblies can also be used (with fuel filter F273699). | |
| F273699 | - Fuel Filter (Replace Annually) |
| F273701 | - 5 ft. PROPANE HOSE ASSEMBLY (Swivel 1" - 20 Male Throwaway Cyl. Thd. X P.O.L. w/Handwheel) |
| F273702 | - 12 ft. PROPANE HOSE ASSEMBLY (Swivel 1" - 20 Male Throwaway Cyl. Thd. X P.O.L. w/Handwheel) |
| F272702 | - 12 ft. PROPANE HOSE ASSEMBLY (Swivel 1" - 20 Male Throwaway Cyl. Thd. X P.O.L. w/Handwheel) |
| F273704 | - 10 ft. BUDDY-SERIES HOSE ASSEMBLY (Fuel filter not required) |



NEVER LEAVE THE HEATER UNATTENDED WHILE BURNING!

Mr. Heater • Big Buddy • Model # MH18B





OPERATING INSTRUCTIONS AND OWNER'S MANUAL

Model #

MH18B

⚠ WARNING:

USE ONLY MANUFACTURER'S REPLACEMENT PARTS. USE OF ANY OTHER PARTS COULD CAUSE INJURY OR DEATH. REPLACEMENT PARTS ARE ONLY AVAILABLE DIRECT FROM THE FACTORY AND MUST BE INSTALLED BY A QUALIFIED SERVICE AGENCY. MR. HEATER HOSES **F273701**, **F273702** AND **F272702** ARE SPECIFICALLY DESIGNED FOR USE WITH THIS HEATER ALONG WITH **F273699** DISPOSABLE FUEL FILTER (REPLACE ANNUALLY). USE OF OTHER HOSES MAY CAUSE THE HEATER TO BECOME INOPERABLE. USE BUDDY SERIES HOSE NO. **F273704**, FUEL FILTER IS NOT REQUIRED.

⚠ WARNING:

THIS PRODUCT IS A HEATER. IT IS CERTIFIED TO CSA INTERNATIONAL REQUIREMENT SECTION 4.98, "GAS FIRED PORTABLE HEATERS FOR RECREATIONAL OR COMMERCIAL USE." THIS PRODUCT IS **NEVER** TO BE USED FOR THE COOKING OR WARMING OF FOODS AS DOING SO CAN INTERFERE WITH THE SAFETY SYSTEMS OF THE HEATER, WHICH MAY RESULT IN A FIRE, EXPLOSION, THE PRODUCTION OF DEADLY CARBON MONOXIDE, AND PERSONAL INJURY OR DEATH TO YOU OR OTHERS. **NEVER** USE HAND-MADE OR THIRD PARTY ACCESSORIES OR ATTACHMENTS WITH THIS HEATER; THIS IS EXTREMELY DANGEROUS AND MAY RESULT IN PERSONAL INJURY OR DEATH TO YOU OR OTHERS.

PARTS ORDERING INFORMATION:

PURCHASING: Accessories may be purchased at any Mr. Heater local dealer or direct from the factory

FOR INFORMATION REGARDING SERVICE

Please call Toll-Free 800-251-0001
www.mrheater.com

Our office hours are 8:00 AM – 5:00 PM, EST, Monday through Friday.

Please include the model number, date of purchase, and description of problem in all communication.

LIMITED WARRANTY

Mr. Heater, Inc. warrants its heaters and accessories to be free from defects in material and workmanship for a period of 1 year from date of purchase. Mr. Heater, Inc. will repair or replace this product free of charge if it has been proven to be defective within the 1-year period, and is returned at customer expense with proof of purchase to Mr. Heater, Inc. within the warranty period. **DISCLAIMER:** This warranty does not cover any product that: a) has been subject to misuse or neglect; b) has been used in a manner inconsistent with the warnings and instructions contained in the owner's manual, including but not limited to using a heater for the cooking or warming of foods; or c) has been used with hand-made or third party accessories or attachments. This warranty gives you specific legal rights, and you may also have other rights which vary from state to state.

Mr. Heater, Inc. reserves the right to make changes at any time, without notice or obligation, in colors, specifications, accessories, materials and models.

PRODUCT REGISTRATION: Thank you for your purchase.
Please log in to <http://www.egiregistration.com> to register your product.

MR. HEATER, INC., 4560 W. 160TH ST., CLEVELAND, OHIO 44135 • 800-251-0001
Mr. Heater and Portable Buddy are registered trademarks of Enerco Group, Inc.
© 2019, Enerco/Mr. Heater. All rights reserved



INSTRUCTIONS DE FONCTIONNEMENT ET GUIDE D'UTILISATION



**PORTABLE BIG BUDDY
RADIANT HEATER**

Modèle #

MH18B

LIRE SOIGNEUSEMENT LES INSTRUCTIONS : Lire et suivre toutes les instructions. Conservez les instructions en sécurité pour vous y référer ultérieurement. Interdisez à quiconque n'ayant pas lu les présentes instructions d'assembler, d'allumer, de régler ou de faire fonctionner cet appareil de chauffage.



APPAREIL DE CHAUFFAGE
PORTATIF AU GAZ PROPANE
À USAGE RÉCRÉATIF ET
COMMERCIAL

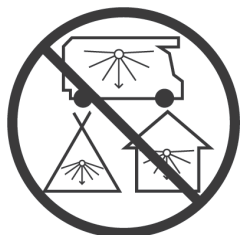
Pour la Vente du Canada et Massachusetts

Utilisez uniquement la marque Mr. Heater d'accessoires (Voir page 10 pour AVERTISSEMENT informations)

LANGUES INCLUSES:

- ANGLAIS
- FRANÇAIS

⚠ DANGER:



PRODUCTION DE MONOXYDE DE CARBONE

Cet appareil produit du monoxyde de carbone, un gaz inodore. Par conséquent, le fait de l'utiliser dans un endroit fermé risque de causer la mort. N'utilisez jamais cet appareil dans un endroit fermé tel qu'une tente, un véhicule récréatif, une automobile ou une maison.

POUR VOTRE SÉCURITÉ

Si vous percevez une odeur de gaz :

1. N'essayez pas d'allumer l'appareil de chauffage.
2. Éteignez toute flamme nue.
3. Coupez l'alimentation en combustible.

POUR VOTRE SÉCURITÉ

N'entreposez ni n'utilisez d'essence ou autres liquides ou vapeurs inflammables à proximité de ce type d'appareil.

Page laissée intentionnellement en blanc

⚠ AVERTISSEMENT :

Chaque fois que l'appareil est raccordé au réservoir, l'étanchéité des raccords doit être vérifiée d'au moins une façon : enduisez les raccords d'eau savonneuse et surveillez l'apparition de bulles; soyez attentif au sifflement produit par une fuite de gaz, à une sensation de grand froid ou à une odeur d'œuf pourri. N'utilisez pas l'appareil s'il y a des fuites!

⚠ AVERTISSEMENT :

Les signes avant-coureurs d'intoxication au monoxyde de carbone ressemblent aux symptômes de la grippe accompagnés de mal de tête, d'étourdissement et de nausée. Si vous ressentez ces maux, l'appareil de chauffage ne fonctionne peut-être pas correctement. Allez immédiatement à l'air libre! Faites inspecter l'appareil de chauffage.

⚠ AVERTISSEMENT :

Toute modification de cet appareil de chauffage ou de ses commandes constitue un danger.

⚠ AVERTISSEMENT :

CET APPAREIL DE CHAUFFAGE NE DOIT PAS ÊTRE UTILISÉ À L'INTÉRIEUR!

⚠ AVERTISSEMENT : LES SOUS-PRODUITS DE COMBUSTION ÉMIS LORS DE L'UTILISATION DE CET APPAREIL CONTIENNENT DU MONOXYDE DE CARBONE, UN PRODUIT CHIMIQUE RECONNU PAR L'ÉTAT DE CALIFORNIE COMME POUVANT CAUSER LE CANCER ET DES MALFORMATIONS CONGÉNITALES (OU AUTRES DOMMAGES AU SYSTÈME REPRODUCTEUR). POUR PLUS D'INFORMATIONS, VISITEZ WWW.P65WARNINGS.CA.GOV.

⚠ AVERTISSEMENT : LES CARBURANTS UTILISÉS DANS LES APPAREILS À DES PRODUITS CHIMIQUES, NOTAMMENT LE BENZÈNE, CONNU EN CALIFORNIE POUR CAUSER LE CANCER ET CAUSER DES MALFORMATIONS CONGÉNITALES OU D'AUTRES PROBLÈMES DE REPRODUCTION. WWW.P65WARNINGS.CA.GOV.

TABLE DES MATIÈRES

| | |
|---|----|
| Instructions générales en matière de sécurité | 3 |
| Informations générales | 4 |
| Fonctionnement avec des bonbonnes jetables de gaz propane | 5 |
| Fonctionnement avec un tuyau raccordé à une bonbonne distante | 6 |
| Entretien | 7 |
| Dépannage | 7 |
| Liste des pièces | 8 |
| Informations sur la commande de pièces | 10 |
| Informations sur le service | 10 |

SPÉCIFICATIONS

MODÈLE N° MH18B
TYPE DE GAZ PROPANE
PUISSANCE BTU/H 4 000 / 9 000 / 18 000

DISTANCE DES MATÉRIAUX COMBUSTIBLES

DESSUS 76 cm
AVANT 61 cm
CÔTÉS 15 cm
ARRIÈRE 0 cm

ATTENTION:

- Quelques tapis ou surfaces de linoléum peuvent décolorer si le chauffage est placé directement sur ces revêtements de plancher.
- **Lorsque vous utilisez l'appareil de chauffage à des altitudes plus de 7000 pieds au-dessus la mer niveler le chauffage peut se éteindre. (Se il vous plaît lire les informations générales)**

INSTRUCTIONS GÉNÉRALES EN MATIÈRE DE SÉCURITÉ

CET APPAREIL SERT AU CHAUFFAGE. NE LE FAITES PAS FONCTIONNER SANS LA GRILLE PROTECTRICE. NE PAS ESSAYER DE CHAUFFER OU CUIRE LES ALIMENTS SUR LA CHAUFFAGE.

- Ne pas utiliser non accessoires approuvés sur ce chauffage.
- En raison des températures élevées qu'il atteint, cet appareil doit être placé à distance des lieux de passage et des matériaux combustibles.
- Les adultes comme les enfants doivent être mis au courant des risques qu'entraînent les températures élevées des surfaces afin d'éviter les brûlures et l'inflammation des vêtements.
- Les jeunes enfants doivent être étroitement surveillés lorsqu'ils sont à proximité de l'appareil.
- Ne placez pas de vêtements ou de matière inflammable sur l'appareil ou près de celui-ci.
- Ne faites pas fonctionner l'appareil dans un véhicule en mouvement.
- Cet appareil nécessite un espace de ventilation de 46 cm² (par exemple, une ouverture de ¹⁰/₈ cm x ¹⁰/₈ cm) minimum pour obtenir une bonne ventilation en cours de fonctionnement. N'utilisez pas d'autres appareils consommant du gaz à l'intérieur.
- LA PRESSION DE GAZ DANS L'APPAREIL DE CHAUFFAGE EST RÉGLÉE ET FIXÉE À 28 CM D'EAU. EN L'UTILISANT RACCORDÉ À UNE BONBONNE DISTANTE, NE RÉGLEZ NI NE RÉDUISSEZ LA PRESSION D'APPROVISIONNEMENT EN GAZ PROPANE VERS L'APPAREIL DE CHAUFFAGE!
- **AVERTISSEMENT** : TOUT BRANCHEMENT PAR TUYAU À UN RACCORD À DÉBRANCHEMENT RAPIDE SUR L'APPAREIL DE CHAUFFAGE DOIT ÊTRE RÉGLÉ SUR UNE PRESSION DE 28 CM D'EAU.
- LE RÉGULATEUR DE L'APPAREIL DE CHAUFFAGE DOIT TOUJOURS ÊTRE EN PLACE LORS DE SON FONCTIONNEMENT.
- Tout dispositif de protection enlevé lors de l'entretien de l'appareil doit être replacé avant de faire fonctionner ce dernier.
- L'appareil doit être inspecté avant chaque utilisation. De fréquents nettoyages peuvent s'avérer nécessaires. Les boîtiers de commande, le(s) brûleur(s) et les passages de ventilation de l'appareil doivent rester propres (voir ENTRETIEN).
- N'UTILISEZ PAS l'appareil si l'une de ses parties est mouillée. Appelez immédiatement un technicien qualifié pour qu'il inspecte l'appareil de chauffage et remplace les parties du système de commandes et de contrôle du gaz qui ont été exposées à l'eau.
- Si l'appareil de chauffage est utilisé sans l'apport d'air nécessaire à la combustion et à la ventilation, il produira une quantité excessive de MONOXYDE DE CARBONE, un gaz toxique et inodore.
- Certaines personnes, notamment les femmes enceintes, celles affectées de problèmes cardio-respiratoires, sous l'influence de l'alcool et se trouvant à de hautes altitudes, seront davantage affectées par le monoxyde de carbone que les autres.

- Lorsque l'appareil de chauffage est placé sur le sol, assurez-vous que ce dernier est de niveau. Gardez les objets à une distance de 61 cm de l'avant de l'appareil. CET APPAREIL DE CHAUFFAGE EST MUNI D'UN INTERRUPTEUR QUI L'ÉTEINDRA EN CAS DE BASCULEMENT. NE LAISSEZ CEPENDANT PAS L'APPAREIL SANS SURVEILLANCE, PARTICULIÈREMENT SI DES ENFANTS RISQUENT DE LE FAIRE BASCULER. NE FAITES JAMAIS FONCTIONNER L'APPAREIL PENDANT VOTRE SOMMEIL!



F273699 - Fuel Filter accessory used with hose assemblies
Accessory Not Included

Figure A

INFORMATIONS GÉNÉRALES :

- Lorsque l'appareil de chauffage est froid ou à la température de la pièce, il faudra quelques minutes pour que le bloc de brûleur devienne orangé. Ceci est normal : l'appareil de chauffage fonctionne correctement. Si le bloc de brûleur est visiblement enflammé, éteignez l'appareil de chauffage et appelez un technicien qualifié.
- Lorsque l'unité est allumée, il doit y avoir un espace d'un demi-centimètre entourant le bloc qui ne devienne pas orangé. Ceci est normal.
- En faisant fonctionner l'appareil à une altitude supérieure à 2 200 m, il est possible que l'unité ne brûle pas aussi intensément qu'en basse altitude. Ceci est normal. À des altitudes encore plus élevées, l'appareil de chauffage risque de s'éteindre. Si cela se produisait, faites circuler de l'air frais, attendez cinq minutes et allumez-le de nouveau. En raison des conditions atmosphériques locales, l'appareil est susceptible de ne pas pouvoir s'allumer de nouveau.
- La durée de fonctionnement dépend du réglage de la température et de la capacité de la bonbonne de gaz. (Une bonbonne de 500 g : 90 mn à 6 h. Deux bonbonnes de 500 g : 3 à 12 heures. Deux bonbonnes de 10 kg : 50 à 220 heures). Il est possible de faire fonctionner l'appareil de chauffage en débranchant rapidement l'une des entrées pivotantes du réservoir, ou les deux.
En raison des propriétés de gaz de pétrole liquéfié, les temps d'exécution peut être considérablement réduite lorsqu'on opère en continu à des températures inférieures à -6.6° C. Nous d'un réservoir de GPL de 9 Kg est recommandé dans ces conditions.
- En déplaçant l'appareil de chauffage en marche ou en le heurtant, il est possible que l'interrupteur antibasculé l'éteigne. Si cela se produisait, allumez-le de nouveau.

REMARQUE : CET APPAREIL DE CHAUFFAGE PEUT FONCTIONNER AVEC (1) OU (2) BONBONNE(S) JETABLE(S) DE GAZ PROPANE DE 500 G, OU AVEC UNE OU DES BONBONNE(S) RÉUTILISABLE(S) DISTANTE(S) DE 10 KG MAXIMUM, EN UTILISANT (1) OU (2) TUYAU(X) F273701, F273702 OU F272702 DOTÉ(S) DE FILTRES À COMBUSTIBLES (F273699). TUYAU NOMBRE F273704 BUDDY TUYAU SÉRIE, FILTRE À CARBURANT PAS NÉCESSAIRE. CET APPAREIL PEUT ÉGALEMENT FONCTIONNER AVEC (1) TUYAU F271802 RACCORDÉ À UNE SOURCE DE GAZ PROPANE RÉGLÉE ET FIXÉE À 28 CM D'EAU OU AVEC (1) TUYAU F271803 DISPOSANT D'UN RÉGULATEUR DE 28 CM AVEC ÉCROU À FILETAGE TRAPÉZOÏDAL.

INSTRUCTIONS D'ALLUMAGE ET DE FONCTIONNEMENT AVEC DES BONBONNES DE GAZ PROPANE JETABLES DE 500 G.

AVERTISSEMENT : Vérifiez toujours les raccords de la bonbonne et de l'appareil de chauffage avant de les relier pour détecter la présence de particules, de poussières et de dommages. Si l'embout de la bonbonne est endommagé ou percé, ne vous en servez pas.

FAITES ET DÉFAITES TOUJOURS LE RACCORDEMENT À LA BONBONNE À L'EXTÉRIEUR, LOIN D'UNE FLAMME NUE OU D'UNE AUTRE SOURCE DE CHALEUR ET SEULEMENT SI L'APPAREIL DE CHAUFFAGE EST FROID AU TOUCHER. NE FUMEZ JAMAIS EN RACCORDANT OU EN RETIRANT LA BONBONNE DE GAZ NI EN RACCORDANT À DISTANCE!

- N'utilisez que des bonbonnes de gaz propane liquéfié conformes aux normes du U.S. Dept. of Transportation (DOT).
- N'utilisez que des bonbonnes jetables de 500 g munies du raccord de soupape n°600.

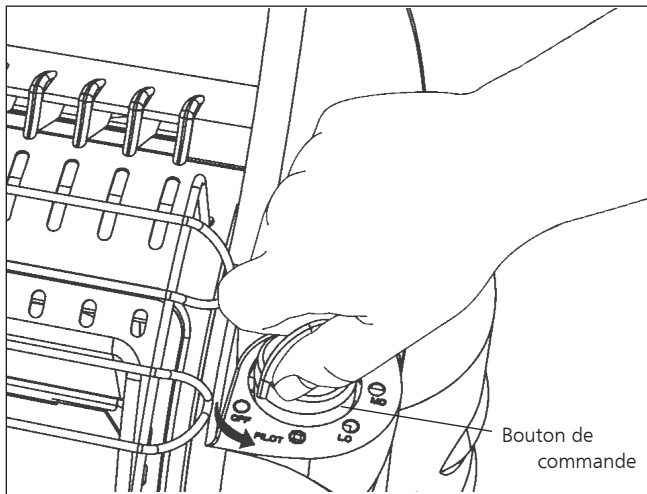


Figure 1

- L'appareil de chauffage et la/les bonbonne(s) doivent être en position verticale pendant le fonctionnement.
- Assurez-vous que le bouton de commande à quatre positions est à la position « OFF » (Arrêt); voir figure 1.
- Vissez la/les bonbonne(s) jetable(s) de gaz propane liquéfié de 500 g dans le sens des aiguilles d'une montre (vue du bas) dans l'appareil de chauffage portatif jusqu'à ce qu'elle(s) soi(en)t bien serrée(s). NE PAS utiliser du produit d'étanchéité pour filetages sur cette liaison

- Vérifiez si les raccords fuient en enduisant d'eau savonneuse le raccord fileté situé sous le couvercle bombé en plastique, là où la bonbonne se visse dans le pivot du réservoir. LISEZ L'AVERTISSEMENT!
- Enfoncez et tournez le bouton de commande dans le sens inverse des aiguilles d'une montre jusqu'à la position « pilot » (veilleuse).
- Maintenez enfoncé le bouton de commande sur la position pilote pendant 30 à 40 secondes.
- Tout en maintenant le bouton de commande enfoncé, tournez-le dans le sens des aiguilles d'une montre jusqu'à la position OFF (arrêt) puis tournez-le immédiatement en position « pilot » (veilleuse). Une étincelle se produira sur le compartiment de la veilleuse.
- Si l'appareil de chauffage ne s'allume pas dès la première tentative, répétez la procédure.
- Une fois la veilleuse allumée, maintenez le bouton de commande enfoncé pendant 30 secondes supplémentaires, afin de réchauffer le thermocouple. À l'issue de ces 30 secondes, relâchez le bouton de commande. La veilleuse devrait rester allumée.
- Si la veilleuse s'éteint, répétez la procédure d'allumage.
- Relâchez le bouton de commande une fois la veilleuse allumée. Le bouton de commande devrait revenir en position d'ouverture complète. Pour faire fonctionner l'appareil de chauffage, appuyez légèrement sur le bouton et tournez-le doucement pour le verrouiller dans la position souhaitée.
- Tournez le bouton de commande en position « LO » (Bas) ou « MD » (Moyen) pour allumer l'appareil. Maintenez-le en position « LO » (Bas) ou « MD » (Moyen) jusqu'à ce que le premier bloc de brûleur devienne orange vif.
- Lorsque le premier bloc de brûleur devient orange vif, réglez la chaleur en tournant le bouton de commande sur la position souhaitée (« LO », « MD » ou « HI »).
REMARQUE : Les deux brûleurs s'allument uniquement lorsque le bouton de commande est en position « HI » (Élevé). (2) **1 LB. bouteilles de propane sont nécessaires pour utiliser le radiateur en position (HI).**

⚠ Avertissement :

NE FAITES PAS FONCTIONNER L'APPAREIL DE CHAUFFAGE SI LE BOUTON DE COMMANDE N'EST PAS VERROUILLÉ DANS L'UNE DES POSITIONS SUIVANTES : « HI » (Élevé), « MD » (Moyen), « LO » (Bas) ou « PILOT » (Veilleuse). NE RÉGLEZ JAMAIS LE BOUTON DE COMMANDE ENTRE DEUX POSITIONS VERROUILLÉES. CELA POURRAIT ENTRAÎNER UNE MAUVAISE COMBUSTION ET UNE AUGMENTATION DES NIVEAUX DE MONOXYDE DE CARBONE.

- Pour éteindre l'appareil de chauffage, enfoncez légèrement le bouton de commande et tournez-le dans le sens des aiguilles d'une montre à la position OFF (Arrêt).
- **ATTENTION** : Après avoir fermé l'appareil de chauffage, la grille protectrice sera encore chaude. Laissez-la refroidir complètement avant de remettre l'appareil.
- N'utilisez pas, ne remisez pas et ne retirez pas la bonbonne de gaz près d'objets inflammables ou de sources de chaleur.
- LA BONBONNE DE GAZ PROPANE LIQUÉFIÉ DOIT ÊTRE RETIRÉE DE L'APPAREIL DE CHAUFFAGE LORSQU'IL N'EST PAS UTILISÉ!

INSTRUCTIONS D'ALLUMAGE ET DE FONCTIONNEMENT AVEC RACCORDEMENT PAR TUYAU À UNE BONBONNE DE GAZ DISTANTE D'UN POIDS MAXIMUM DE 10 KG :

- **AVERTISSEMENT** : TOUT BRANCHEMENT PAR TUYAU À UN RACCORD À DÉBRANCHEMENT RAPIDE SUR L'APPAREIL DE CHAUFFAGE DOIT ÊTRE RÉGLÉ SUR UNE PRESSION DE 28 CM D'EAU
- Tuyau Mr. Heater n°F271802 comprenant un raccord à débranchement rapide et un raccord conique femelle de 1 cm à une source de gaz propane réglée sur une pression de 28 cm d'eau.
- Tuyau Mr. Heater n°F271803 comprenant un raccord à débranchement rapide et un régulateur de 11 cm d'eau.
- **DANGER!** NE JAMAIS utiliser la bonbonne de gaz propane réutilisable à l'intérieur. Une explosion ou un incendie causant des dommages matériels, des blessures graves et des pertes de vie risquerait de se produire.
- Inspectez le tuyau chaque fois avant d'utiliser l'appareil de chauffage. S'il y a apparence de frottement ou d'usure excessifs ou de coupure, remplacez le tuyau avant d'utiliser l'appareil de chauffage, par l'un des modèles de tuyau Mr. Heater mentionnés ci-dessus.
- La bonbonne de gaz doit être munie d'un dispositif de protection contre le remplissage excessif et d'un collet pour protéger la soupape de la bonbonne.
- L'appareil de chauffage doit être en position verticale pendant son fonctionnement.
- Assurez-vous que le bouton de commande à cinq positions est en position « OFF » (Arrêt); voir figure 1, à gauche.
- **Mr. Heater recommande fortement l'utilisation d'un filtre à combustible jetable F273699, à raccorder au pivot du réservoir situé sur l'appareil de chauffage afin de bloquer toute substance grasseuse pouvant empêcher ce dernier de fonctionner en cas de raccordement à une bonbonne distante.**
- Vissez le raccord de tuyau dans le pivot du réservoir ou dans le filtre à combustible situé sur l'appareil de chauffage, ou branchez au raccord à débranchement rapide, et vissez l'autre dans la soupape de la bonbonne de gaz propane liquéfié. Serrez tous les raccords de tuyau. NE PAS utiliser du produit d'étanchéité pour filetages sur l'une de ces connexions.
- Ouvrez la soupape de la bonbonne de gaz liquéfié.
- Vérifiez les fuites en enduisant d'eau savonneuse le raccord fileté situé sous le couvercle bombé en plastique, là où le raccord se visse dans le pivot du réservoir et/ou le filtre à combustible, et celui de la bonbonne de gaz propane liquéfié. LISEZ L'AVERTISSEMENT!
- Enfoncez et tournez le bouton de commande dans le sens inverse des aiguilles d'une montre jusqu'à la position « pilot » (veilleuse).

- Maintenez enfoncé le bouton de commande sur la position pilote pendant 1 à 5 secondes.
- Tout en maintenant le bouton de commande enfoncé, tournez-le dans le sens des aiguilles d'une montre jusqu'à la position OFF (arrêt), puis tournez-le immédiatement en position « pilot » (veilleuse). Une étincelle se produira sur le compartiment de la veilleuse, et l'appareil de chauffage devrait s'allumer.
- Si l'appareil de chauffage ne s'allume pas dès la première tentative, répétez la procédure.
- Une fois la veilleuse allumée, maintenez le bouton de commande enfoncé pendant 30 secondes supplémentaires, afin de réchauffer le thermocouple. À l'issue de ces 30 secondes, relâchez le bouton de commande. La veilleuse devrait rester allumée.
- Si la veilleuse s'éteint, répétez la procédure d'allumage.
- Relâchez le bouton de commande une fois la veilleuse allumée. Le bouton de commande devrait revenir en position d'ouverture complète. Pour faire fonctionner l'appareil de chauffage, appuyez légèrement sur le bouton et tournez-le doucement pour le verrouiller dans la position souhaitée.
- Tournez le bouton de commande en position « LO » (Bas) ou « MD » (Moyen) pour allumer l'appareil. Maintenez-le en position « LO » (Bas) ou « MD » (Moyen) jusqu'à ce que le premier bloc de brûleur devienne orange vif.
- Une fois que le premier bloc est devenu orange vif, réglez la sortie de chaleur en tournant le bouton de commande sur la position souhaitée (« LO », « MD » ou « HI »).

⚠ Avertissement : N'essayez pas d'ajuster les niveaux de chauffage en utilisant la soupape de fermeture du réservoir de gaz propane.

⚠ Avertissement : NE FAITES PAS FONCTIONNER L'APPAREIL DE CHAUFFAGE SI LE BOUTON DE COMMANDE N'EST PAS VERROUILLÉ SUR L'UNE DES POSITIONS SUIVANTES : « HI » (Élevé), « MD » (Moyen), « LO » (Bas) ou « PILOT » (Veilleuse). NE RÉGLEZ JAMAIS LE BOUTON DE COMMANDE ENTRE DEUX POSITIONS VERROUILLÉES. CELA POURRAIT ENTRAÎNER UNE MAUVAISE COMBUSTION ET UNE AUGMENTATION DES NIVEAUX DE MONOXYDE DE CARBONE.

- Pour éteindre l'appareil de chauffage, fermez l'approvisionnement en gaz sur la bonbonne, laissez l'appareil s'éteindre de lui-même après avoir épuisé le gaz restant dans le tuyau, enfoncez légèrement le bouton de commande et tournez-le dans le sens des aiguilles d'une montre à la position « OFF » (Arrêt).
- **ATTENTION** : Après avoir fermé l'appareil de chauffage, la grille protectrice sera encore chaude. Laissez-la refroidir complètement avant de remiser l'appareil.
- La bonbonne doit être fermée lorsque l'appareil de chauffage ne fonctionne pas. Une fois encore, laissez l'appareil s'éteindre de lui-même après avoir épuisé le gaz propane restant dans le tuyau. Si la bonbonne est raccordée à l'appareil de chauffage, l'ensemble doit être remis à l'extérieur, dans un endroit bien aéré, hors de la portée des enfants et ne doit pas être remis dans un édifice, un garage ou tout autre endroit fermé.
- Il n'est permis de remiser l'appareil de chauffage à l'intérieur que s'il n'est plus raccordé à la bonbonne. Les bonbonnes doivent être remises à l'extérieur, hors de la portée des enfants, et ne doivent pas être remises dans un édifice, un garage ou tout autre endroit fermé.

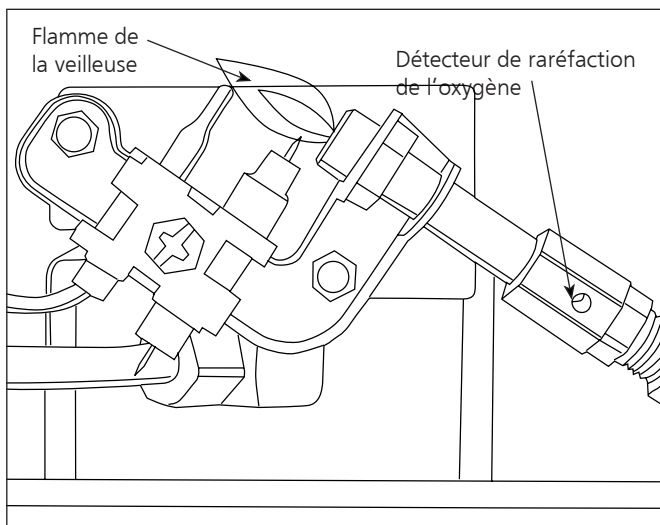


Figure 2

ENTRETIEN

Conservez les alentours de l'appareil de chauffage propres et libres de matériaux combustibles, d'essence ou d'autres liquides ou vapeurs inflammables. Conservez les espaces de ventilation (les fentes à l'avant en haut et en bas) dégagés en tout temps.

Inspectez visuellement la flamme de la veilleuse et le brûleur régulièrement au cours de l'utilisation. La flamme de la veilleuse doit être bleue, et non jaune, et s'étendra au-delà du thermocouple.

La flamme doit entourer le thermocouple juste en dessous de son extrémité (voir Figure 2, ci-dessous). Il est possible qu'une faible flamme jaune apparaisse là où se rencontrent la flamme veilleuse et la flamme principale du brûleur. Le(s) brûleur(s) doit/doivent être orange vif (avec un peu de bleu sur le contour; une brume rouge orangée visible sur le bloc céramique est acceptable) sans flamme apparente. Une flamme bleue qui s'échappe du bloc céramique indique une accumulation de poussière, de fibres ou de toiles d'araignée à l'intérieur du boîtier ou du compartiment du brûleur. Si la flamme de la veilleuse est jaune ou que le brûleur dégage une flamme visible, un nettoyage s'impose. Respectez la méthode suivante pour inspecter le boîtier et le compartiment du brûleur.

Il est nécessaire de vérifier régulièrement l'orifice du/des brûleur(s) et son/leur tube diffuseur pour vous assurer qu'ils sont dégagés des nids d'insectes et des fils d'araignées qui s'y accumulent avec le temps. Un tube obstrué peut causer un incendie.

- 1 Laissez l'appareil de chauffage refroidir complètement avant d'en effectuer l'entretien.
 - 2 Retirez la bonbonne de gaz jetable de 500 g de l'appareil de chauffage ou fermez l'alimentation à partir de la bonbonne distante et retirez le tuyau de l'appareil de chauffage.
 - 3 Retirez la grille protectrice de l'avant de l'appareil de chauffage en la pliant légèrement pour la sortir des trous du couvercle avant.
 - 4 Retirez les (4) vis fixant le couvercle arrière à l'appareil de chauffage. Soulevez-le légèrement pour libérer les (2) crochets en plastique situés sur le couvercle arrière.
 - 5 Retirez le couvercle arrière.
 - 6 Retirez les (3) vis fixant la chicane inférieure, de manière à exposer les ouvertures d'air du/des brûleur(s).
 - 7 Vérifiez à l'intérieur du boîtier la présence de poussière, de fibres ou de toiles d'araignée. Au besoin, nettoyez l'intérieur du boîtier à l'aide d'un aspirateur ou d'air comprimé (30 kPa maximum). N'endommagez aucune pièce du boîtier au cours du nettoyage.
 - 8 Inspectez et nettoyez l'orifice du brûleur principal situé en bas du tube venturi du brûleur à l'aide d'un aspirateur ou d'air comprimé.
 - 9 Inspectez et nettoyez la veilleuse (installée sur le support) à l'aide d'un aspirateur ou injectez de l'air comprimé dans les trous de la veilleuse, indiqués par les flèches de la figure 2.
- AVERTISSEMENT** : N'utilisez jamais d'aiguilles, de broches ou d'autres objets de ce type pour nettoyer la veilleuse afin d'éviter d'endommager la pointe calibrée qui contrôle le débit du gaz.
- 9 Injectez de l'air comprimé sur le bloc céramique du compartiment du brûleur et sur le tube diffuseur (avec [2] ouvertures d'air) pour enlever la poussière, les fibres et les toiles d'araignée.
 - 11 Installez à nouveau la chicane inférieure avec (3) vis
 - 12 Faites glisser le couvercle arrière sur les (2) crochets en plastique situés sur la surface supérieure de l'appareil de chauffage. Assurez-vous que le couvercle arrière soit aligné avec les couvercles en plastique latéraux. Serrez (4) vis pour fixer le tout.

DÉPANNAGE

Si l'électrode ne produit pas d'étincelle.

VÉRIFIEZ

- Si l'électrode est cassée, remplacez-la.
- Si le fil de l'allumeur n'est pas attaché à l'électrode, attachez-le.
- Si le fil de l'allumeur est endommagé, remplacez-le.
- Si l'allumeur Piezo de la soupape de réglage est défectueux; remplacez cette dernière.

Si l'électrode produit une étincelle mais que la veilleuse ne s'allume pas.

VÉRIFIEZ

- S'il n'y a pas de gaz dans l'appareil : installez une bonbonne jetable ou raccordez le tuyau et ouvrez la soupape de la bonbonne.
- Si le bouton de commande n'est pas bien aligné avec la position VEILLEUSE : tournez-le à la position VEILLEUSE et enfoncez-le.
- Si la veilleuse est obstruée par des fils d'araignée ou de la saleté : nettoyez-la (voir ENTRETIEN).

Si la flamme de la veilleuse ne reste pas allumée lorsque vous relâchez le bouton.

VÉRIFIEZ

- Si le bouton de commande n'est pas complètement enfoncé en position « PILOT » (veilleuse) ou n'est pas maintenu enfoncé assez longtemps pour extraire tout l'air du tuyau.
- Si la flamme de la veilleuse n'entoure pas le thermocouple : nettoyez la veilleuse (voir ENTRETIEN).
- Si le compartiment de la veilleuse est défectueux, remplacez-le.
- Si les fils de l'interrupteur de bascule sont débranchés, rebranchez-les.

Si le(s) brûleur(s) principal/principaux ne s'allume(nt) pas.

VÉRIFIEZ

Si l'orifice du brûleur principal/des brûleurs principaux est obstrué : nettoyez le brûleur (voir ENTRETIEN).

Si l'appareil ne cesse de s'éteindre pendant un fonctionnement normal.

VÉRIFIEZ

- Si la veilleuse est obstruée : nettoyez-la (voir ENTRETIEN).
- Cet appareil nécessite un espace de ventilation de 46 cm² (par exemple, une ouverture de 10,8 x 10,8 cm).
- Si l'interrupteur de bascule a été activé en heurtant l'appareil, allumez-le de nouveau.

LISTE DES PIÈCES

CONSULTEZ LA DERNIÈRE PAGE POUR DES INFORMATIONS SUR LES COMMANDES DE PIÈCES

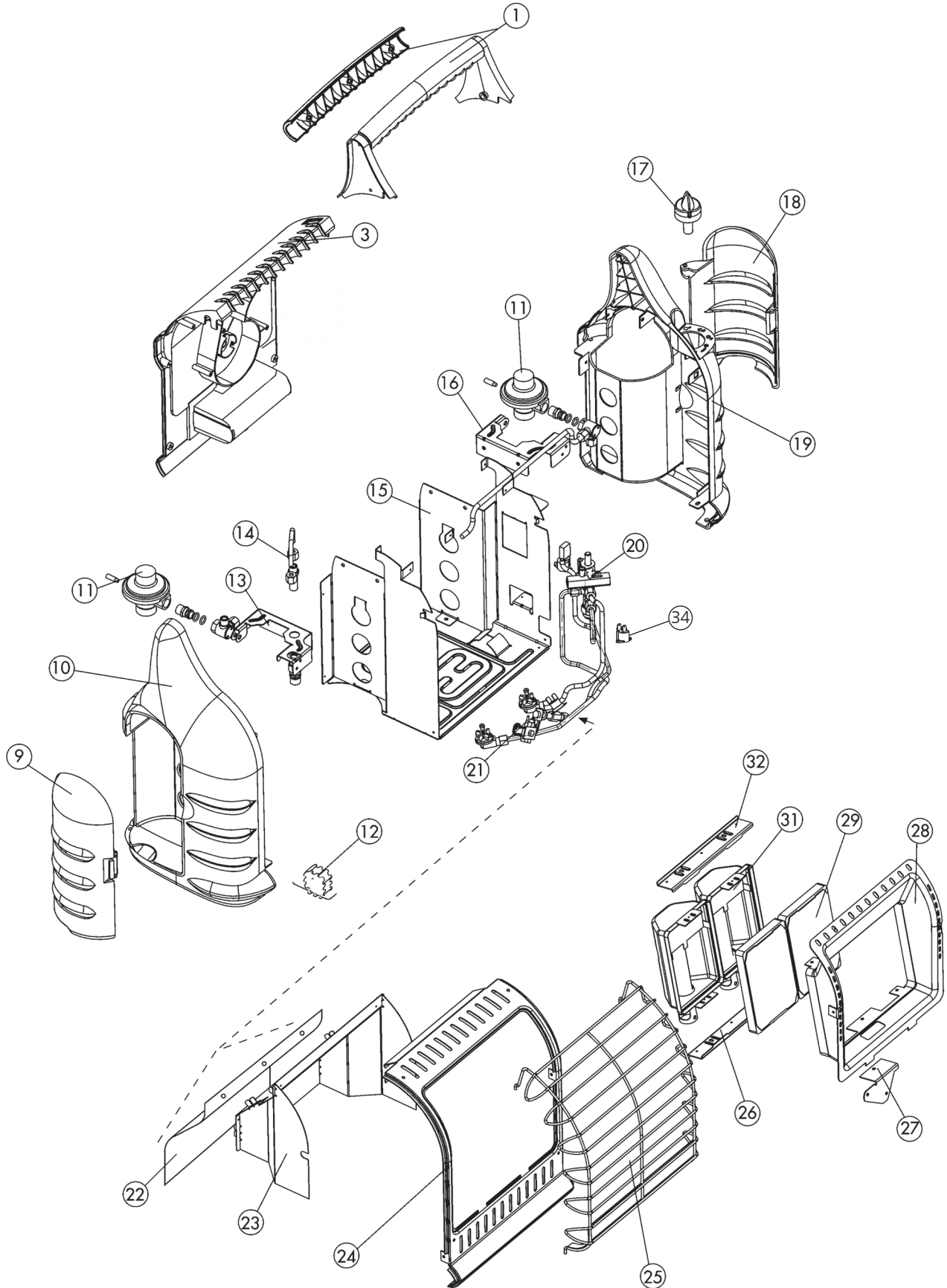
| # DE RÉF. | # DE L'ARTICLE | DESCRIPTION |
|-----------|----------------|---|
| 1..... | 78402..... | POIGNÉE, COMPARTIMENT |
| 3..... | 78442..... | ARRIÈRE, COUVERCLE |
| 9..... | 78410..... | COUVERCLE LATÉRAL GAUCHE DE LA PORTE |
| 10..... | 78411..... | GAUCHE, CÔTÉ, COUVERCLE |
| 11..... | 78412..... | RÉGULATEUR, MH18B |
| 12..... | 78436..... | PIED, CAOUTCHOUC |
| 13..... | 78454..... | SUPPORT, PIVOT DU RÉSERVOIR, GAUCHE |
| 14..... | 78452..... | SUPPORT, MONTAGE, RÉGULATEUR |
| 15..... | 78518..... | STRUCTURE, COMPARTIMENT |
| 16..... | 78455..... | SUPPORT, PIVOT DU RÉSERVOIR, DROIT |
| 17..... | 78418..... | BOUTON, COMMANDE |
| 18..... | 78419..... | PORTE, DROIT, CÔTÉ, COUVERCLE |
| 19..... | 78420..... | DROIT, CÔTÉ, COUVERCLE |
| 20..... | 78421..... | SOUPAPE, RÉGLAGE, COMPARTIMENT |
| 21..... | 78422..... | PILOT, VEILLEUSE, COMPARTIMENT |
| 22..... | 78423..... | BOUCLIER, CHALEUR, ARRIÈRE |
| 23..... | 78424..... | BOUCLIER, CHALEUR, AVANT |
| 24..... | 78516..... | COUVERCLE, AVANT |
| 25..... | 78519..... | PROTECTEUR, FIL, FACE |
| 26..... | 78427..... | SUPPORT, BAS, INFÉRIEUR, CHAMBRE |
| 27..... | 78428..... | VEILLEUSE, SUPPORT |
| 28..... | 78515..... | RÉFLECTEUR |
| 29..... | 78526..... | BLOC |
| 30..... | 78525..... | BLOC, JOINT D'ÉTANCHÉITÉ (NON ILLUSTRÉ) |
| 31..... | 78517..... | CHAMBRE, STRUCTURE (2 REQUIS) |
| 32..... | 78432..... | SUPPORT, HAUT, SUPÉRIEUR, CHAMBRE |
| 33..... | 78527..... | BRÛLEUR ORIFICE (NON ILLUSTRÉ) |
| 34..... | 73403..... | CHANGEMENT, TIPOVER |

ACCESSOIRES

| ARTICLE | DESCRIPTION |
|---------|-------------|
|---------|-------------|

- | | |
|-------------------|--|
| RECOMMANDÉ | F271802 - TUYAU À GAZ PROPANE de 30 cm avec raccords à débranchement rapide et raccord conique femelle de 1 cm |
| | F271803 - TUYAU À GAZ PROPANE de 30 cm avec raccords à débranchement rapide et régulateur 28 cm d'eau avec écrou à filetage trapézoïdal. |
| | Les types de tuyaux suivants peuvent également être utilisés (avec un filtre à combustible F273699). |
| | F273699 Filtre à combustible (à remplacer annuellement) |
| | F273701 - TUYAU À GAZ PROPANE de 12,7 cm (orientable 2,54 cm - 20 Filet extérieur - Bonbonne jetable X P.O.L. avec volant) |
| | F273702 - TUYAU À GAZ PROPANE de 30 cm (orientable 2,54 cm - 20 Filet extérieur - Bonbonne jetable X P.O.L. avec volant) |
| | F273702 - TUYAU À GAZ PROPANE de 30 cm (orientable 2,54 cm - 20 Filet extérieur - Bonbonne jetable X P.O.L. avec volant) |
| | F273704 - 10 ft ASSEMBLEE BUDDY-flexible série (filtre à carburant pas nécessaire). |

Mr. Heater • Big Buddy • N° del modelo MH18B





INSTRUCCIONES DE OPERACIÓN Y MANUAL DEL USUARIO

Modelo #

MH18B

⚠️ ADVERTENCIA:

USE SÓLO LOS REPUESTOS DEL FABRICANTE. EL USO DE CUALQUIER OTRO REPUESTO PUEDE CAUSAR LESIONES O LA MUERTE. LOS REPUESTO SÓLO ESTÁN DISPONIBLES DIRECTAMENTE DE FÁBRICA Y DEBEN SER INSTALADOS POR UNA AGENCIA DE REPARACIÓN CALIFICADA. LAS MANGUERAS MR. HEATER **F273701**, **F273702**, Y **F272702** ESTÁN ESPECÍFICAMENTE DISEÑADAS PARA SER UTILIZADAS CON ESTE CALENTADOR CONJUNTAMENTE CON EL FILTRO DE COMBUSTIBLE DESCARTABLE **F273699**. EL USO DE OTRAS MANGUERAS PUEDE HACER QUE EL CALENTADOR NO FUNCIONE. USO COMPAÑERO DE LA SERIE NÚMERO DE PARTE **F273704** MANGUERA, FILTRO DE COMBUSTIBLE NO SE REQUIERE.

⚠️ ADVERTENCIA:

CE PRODUIT EST UN CHAUFFE. IT est certifié CSA INTERNATIONAL EXIGENCE SECTION 4.98, "AU GAZ CHAUFFE PORTABLE POUR USAGE RÉCRÉATIF OU COMMERCIAL." CE PRODUIT EST JAMAIS UTILISER POUR LA CUISSON OU RÉCHAUFFEMENT DES ALIMENTS EN TANT QUE CELA PEUT PORTER ATTEINTE DES SYSTEMES DE SECURITE DE L 'APPAREIL, QUI PEUT PROVOQUER UN INCENDIE, EXPLOSION, LA PRODUCTION DE MORTEL DE MONOXYDE DE CARBONE, ET BLESSURES OU LA MORT POUR VOUS OU AUTRES. NE JAMAIS UTILISER FAIT MAIN OU TIERS ACCESSOIRES OU ACCESSOIRES AVEC CET APPAREIL; CECI EST EXTRÊMEMENT DANGEREUX ET PEUT PROVOQUER DES BLESSURES OU LA MORT POUR VOUS OU AUTRES.

INFORMACIÓN PARA EL PEDIDO DE LAS PARTES:

COMO COMPRAR: Los accesorios se pueden comprar en cualquier tienda local Mr. Heater o directamente de fábrica.

PARA OBTENER INFORMACIÓN SOBRE LA REPARACIÓN

Llame al número gratuito 800-251-0001 o visite www.mrheater.com

Estamos abiertos de lunes a viernes de 8:00 AM – 5:00 PM, hora Este.

Incluya el número del modelo, la fecha de compra y la descripción del problema en todas sus comunicaciones.

GARANTIA LIMITADA

Enerco Group, Inc. garantiza que sus calentadores y accesorios no presentan defectos de material ni de mano de obra por un período de 1 año a partir de la fecha de compra. Enerco Group, Inc. reparará o reemplazará este producto sin cargo si se prueba que presenta falla dentro del plazo de 1 año y es devuelto a Enerco Group, Inc. a cargo del cliente con el comprobante de compra dentro del período de la garantía. La présente garantie donne des droits spécifiques, et vous pouvez avoir d'autres droits qui varient d'un État à État

Enerco Group, Inc. se reserva el derecho de realizar cambios en cualquier momento, sin aviso u obligación, en los colores, las especificaciones, los accesorios, los materiales y los modelos.

REGISTRO DE PRODUCTO: Gracias por su compra.
Por favor entre al sistema a <http://www.egiregistration.com> para registrar su producto.

ENERCO GROUP, INC., 4560 W. 160TH ST., CLEVELAND, OHIO 44135 • 800-251-0001
Mr. Heater y Portable Buddy son marcas registradas de Enerco Group, Inc.
©2019, Enerco/Mr. Heater. Todos los derechos reservados.

