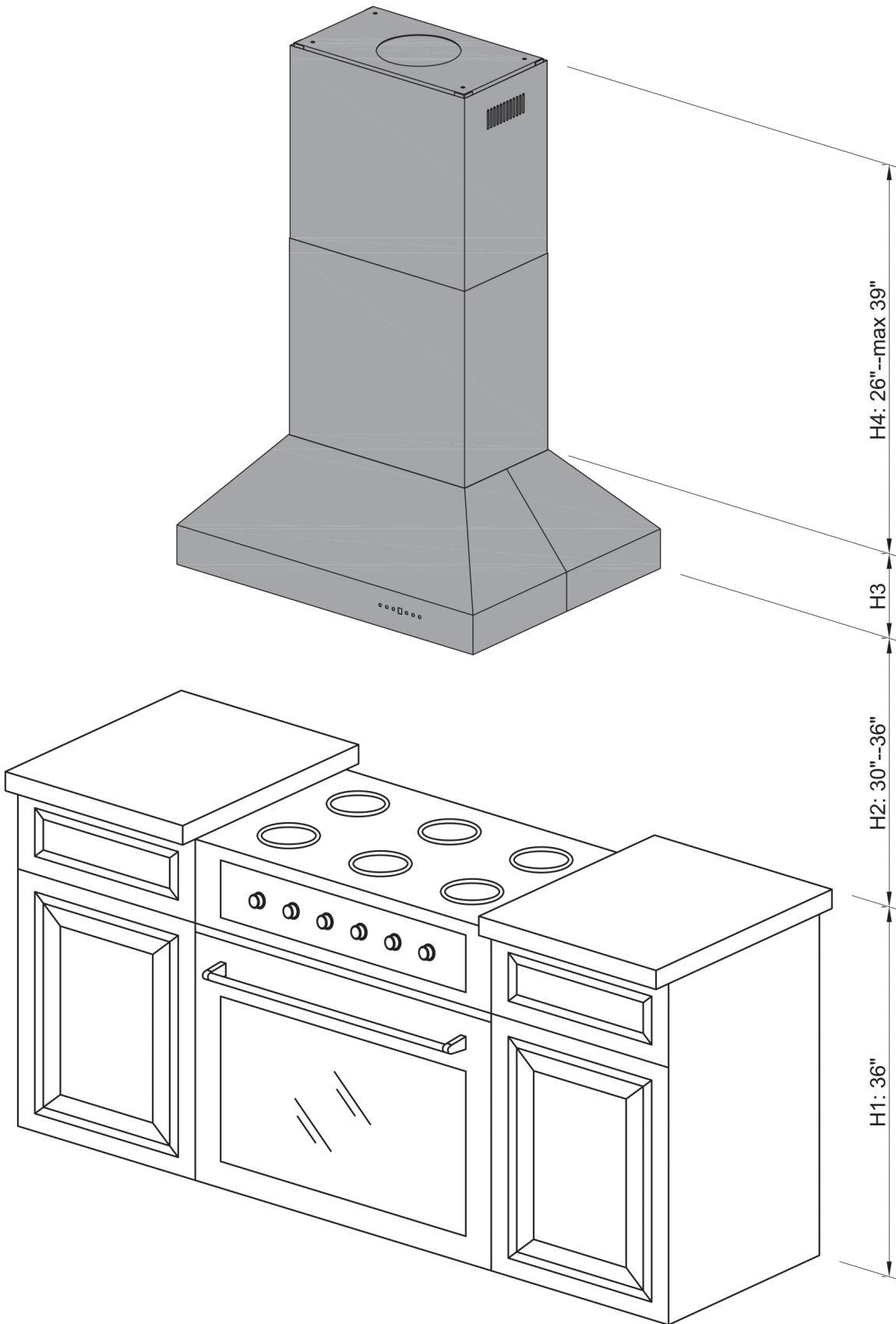


Island Hood Installation



Installation
Tutorial Video



Island Hood Installation

*The recommended height to install your hood is 30" minimum and 36" maximum above the cooktop.

*For Outdoor (304 Series) hood installation, the unit must be installed at a minimum of 36" above the grill.

1

Locate the center above the stove where the hood is to be installed. Ensure that the bracket will be secured to solid wood backing. Attach mounting bracket to the ceiling.

2

Attach the transition piece and ducting to top of the hood. (Figures 1 and 2)

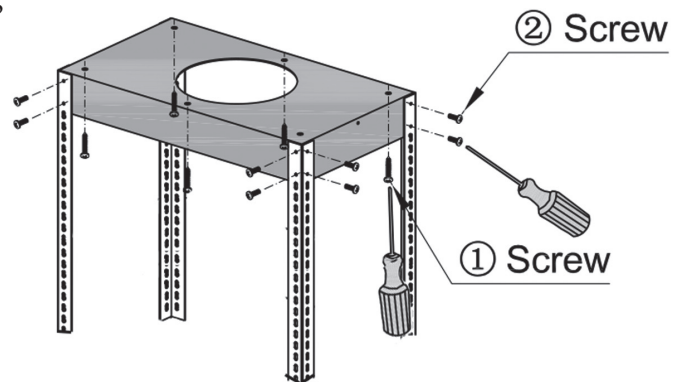


Figure 1

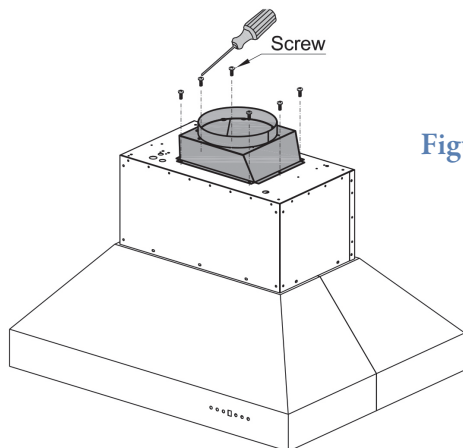
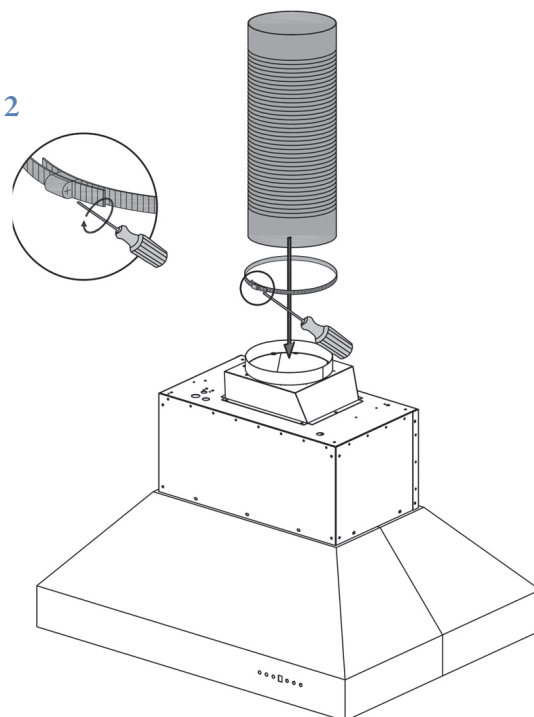


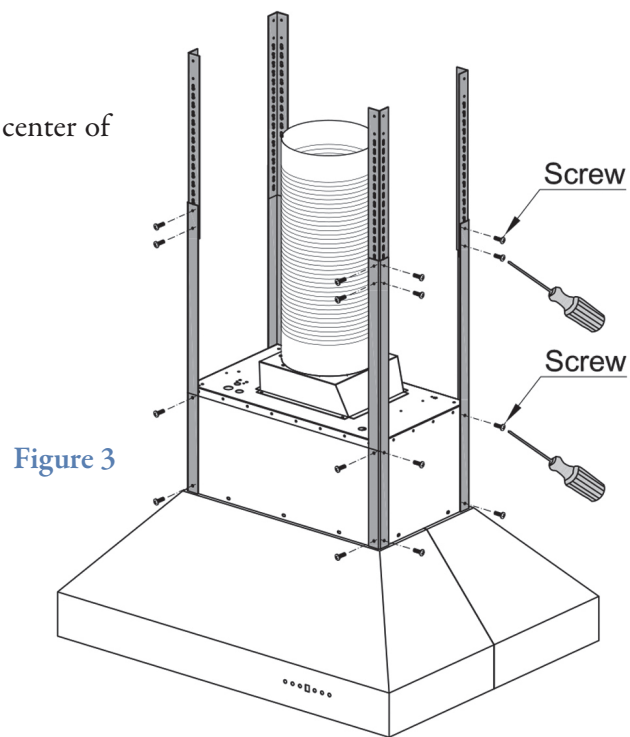
Figure 2



3 Attach the four long angle iron pieces to the hood's motor housing (Figure 3)

4 Determine desired height and attach the four short angle iron pieces to the long angle iron pieces that are attached to the hood (Figure 3)

5 Install the duct work in the center of the ceiling bracket.



Island Hood Installation

- 6 Slide chimney pieces over the angle iron on the hood. Pull the electrical plug to the top of the chimney sections. (Figure 4)
- 7 Lift the hood to attach the angle iron to the ceiling bracket. Use screws provided to attach.
- 8 Make your electrical and ducting connections. Use rigid duct wherever possible. Try and minimize the use of elbows. More elbows and longer runs create higher static pressure. The hood comes with a grounded three prong plug that can either be a direct wired or plugged into a 20 amp circuit.
- 9 Slide top chimney piece up over the mounting bracket on the ceiling and secure in place with screws provided. (Figure 5)
- 10 Install stainless steel baffle filters.

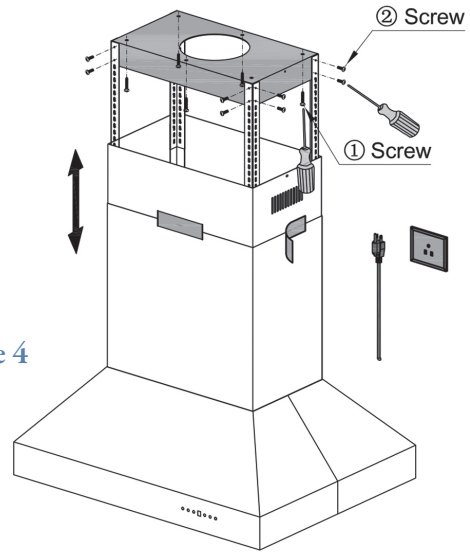


Figure 4

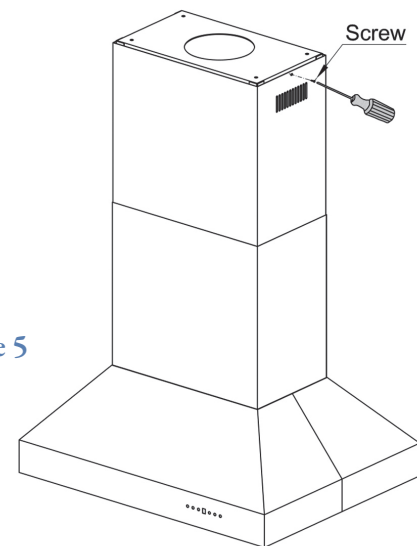


Figure 5

★ *Before installing baffle filters, make sure that you insert the grease cup under the motor blower.*