



EN

13A ELECTRIC PRESSURE WASHER

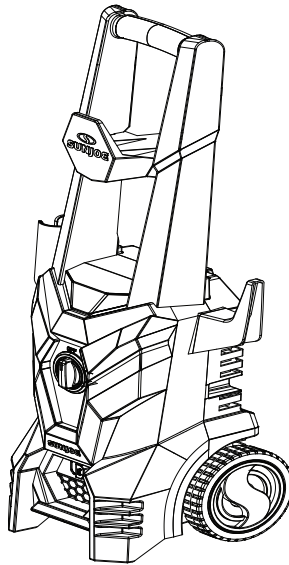
1800 PSI MAX PRESSURE AT INITIAL DISCHARGE PER ITS INTERNAL PRESSURE TESTING

1.7 GPM MAX FLOW WITH NOZZLE OPEN AT MINIMUM PRESSURE

OPERATOR'S MANUAL

Model SPX100-GO

Form No. ASP-SPX100-GO-880E-M (JC)



THANK YOU FOR YOUR PURCHASE!

HAS YOUR SNOW JOE EXPERIENCE LEFT YOU SMILING? 😊

TELL YOUR FRIENDS AND TAG US!

We love to hear your feedback! Share your experience by writing comments and reviews on shopjoe.com, or connect with us on social media!



@SNOWJOECO

#GOWITHJOE

OR HAS SOMETHING LEFT YOU LESS THAN SATISFIED? 😞

WE'RE SORRY ABOUT THAT!

Our friendly customer service team is ready to help you with any issues you may have.

CALL US
1-866-225-9723

For fastest response
CHAT WITH US
SHOPJOE.COM/CHAT

SCAN REGISTER ONLINE TODAY



Place UPC sticker here

- ✓ ACTIVATE YOUR **2 YEAR WARRANTY**
- ✓ RECEIVE **90 DAYS BONUS COVERAGE**
- ✓ VISIT **SHOPJOE.COM/REGISTER**

Failure to register your product purchase will not diminish your warranty rights. For more information visit shopjoe.com



UPGRADE YOUR COVERAGE AT SHOPJOE.COM/REGISTER FOR UP TO 3, 4, OR 5 YEARS OF TOTAL TOOL COVERAGE

When we say we stand behind our product, we mean it! Now you can blow, mow, cut, saw or tend to any other yard task with confidence, knowing that if there is a problem with your tool within the warranty period, we will gladly solve it.





13A ELECTRIC PRESSURE WASHER

1800 PSI MAX PRESSURE AT INITIAL DISCHARGE PER ITS INTERNAL PRESSURE TESTING

1.7 GPM MAX FLOW WITH NOZZLE OPEN AT MINIMUM PRESSURE

OPERATOR'S MANUAL

Model SPX100-GO

Form No. ASP-SPX100-GO-880E-M (JC)

IMPORTANT! Safety Instructions

All Operators Must Read These Instructions Before Use

⚠️ WARNING! This indicates a hazardous situation, which, if not avoided, could result in death or serious injury.

⚠️ CAUTION! This indicates a hazardous situation, which, if not avoided, could result in minor or moderate injury.

⚠️ DANGER! This indicates a hazardous situation, which, if not followed, will result in death or serious injury.

General Safety

⚠️ WARNING! This appliance is not intended for use by children or by unassisted, unsupervised persons whose physical, sensory or mental capabilities prevent them from using it safely. Children should be supervised to ensure that they do not play with the appliance.

Before starting up your machine, please check it carefully for any defects. If you find any, do not start up your machine. Contact your authorized Snow Joe® + Sun Joe® dealer or call the All Season Power customer service center at 1-866-225-9723.

⚠️ WARNING! When using the pressure washer, basic safety precautions should always be followed to reduce the risk of fire, electric shock, and personal injury. These include:

- **Know your product** – Know how to stop the machine and bleed pressure quickly. Thoroughly familiarize yourself with the controls.
- **Keep bystanders away** – All visitors and pets should be kept a safe distance away from the work area.
- **Use the right product** – Do not use this machine for any job except that for which it is intended.
- **Dress properly** – Do not wear loose clothing or jewelry. They can get caught in moving parts. Protective rubber gloves and non-slip footwear are recommended when working outdoors.
- **⚠️ CAUTION!** – Exercise caution to avoid slipping or falling. Wear protective footwear that will protect your feet and improve your footing on slippery surfaces.

- **Stay alert** – Watch what you are doing. Use common sense. Do not operate the pressure washer when you are tired, or under the influence of alcohol or drugs.
- **WARNING! Risk of Injection or Injury** – Do not direct discharge stream at persons.
- **Do not overreach** – Keep proper footing and balance at all times.
- **Avoid unintentional starting** – Do not carry a plugged-in machine with your finger on the trigger. Make sure the switch is off before plugging in the machine.
- **Do not abuse the cord** – Never carry the machine by the cord or yank the cord to disconnect it from the receptacle. Keep the cord away from heat, oil, and sharp edges.
- **Use safety glasses** – Also use safety footwear, snug-fitting clothing, protective gloves, hearing and head protection.
- **Check the water temperature** – This pressure washer is not meant to pump hot water. **NEVER** connect it to a hot water supply as it will significantly reduce the life of the pump.
- **Store indoors** – **NEVER** store the pressure washer outdoors or where it could freeze. The pump could be seriously damaged.
- **Inspect electrical cables** – The insulation of the power cord should be perfectly intact. If the power cord is damaged or shows any signs of wear or tear, do not use the pressure washer. Contact your authorized Snow Joe® + Sun Joe® dealer or call the All Season Power customer service center at 1-866-225-9723.

⚠️ WARNING! Do not use this appliance without reading this instruction manual.

⚠️ WARNING! This appliance has been designed for use with cleaning agents that are recommended by the manufacturer. The use of other cleaning agents or chemicals may adversely affect the safety of the appliance.

⚠️ WARNING! Do not use the appliance within range of persons unless they are wearing protective clothing.

⚠️ WARNING! High-pressure jets can be dangerous if subject to misuse. The jet must not be directed at persons, pets, live electrical equipment, or the appliance itself.

- Do not direct the jet at yourself or others in order to clean clothes or footwear.
- **Risk of explosion** – Do not spray flammable liquids.
- **Disconnect the tool** – Disconnect from the electrical power supply before performing any maintenance task.

SAVE THESE INSTRUCTIONS



- **Keep children away** – This high-pressure electric power washer must not be used by children or untrained personnel.
- To ensure appliance safety, use only original replacement parts from the manufacturer or those approved by the manufacturer.

⚠ CAUTION! To prevent damage to the appliance, do not allow it to operate dry. Before starting the appliance, make sure that it has a proper and stable supply of water.

⚠ WARNING! Water that has flowed through backflow preventers is considered to be non-potable.

⚠ WARNING! During cleaning, maintenance or when replacing parts, the machine must be disconnected from its power source by removing the plug from the socket outlet.

⚠ WARNING! High-pressure hoses, fittings, and couplings are important for the safe operation of the appliance. Use only hoses, fittings, and couplings recommended by the manufacturer.

- **Check for damaged parts** – Do not use the appliance if the supply cord or other important parts of the appliance are damaged (e.g. safety devices, high-pressure hoses, trigger gun).

⚠ WARNING! If an extension cord is used, the plug and socket must be of watertight construction.

⚠ WARNING! Inadequate extension cords can be dangerous.

- This high-pressure electric power washer must not be used at temperatures below 32°F (0°C).

⚠ WARNING! Power cords on drums should always be completely unwound to prevent the cord from overheating.

- Power cord connections should be kept dry and off the ground.
- If the power cord is damaged, do not use the appliance. Contact your authorized Snow Joe® + Sun Joe® dealer or call the All Season Power customer service center at 1-866-225-9723.
- Keep the machine on a stable, flat surface during operation, handling, transportation, and storage. Sudden overturn of the machine can cause bodily injury.
- In the event of an accident or breakdown, switch off the machine immediately. (If contact with detergent occurs, rinse with an abundance of clean water.)

Electrical Safety

ATTENTION: If there are problems with the electrical MAINS, short voltage drops may appear when starting the equipment. This can, in turn, influence other equipment (e.g. cause a lamp to blink). If the MAINS-IMPEDANCE $Z_{max} < 0.335 \text{ OHM}$, such disturbances are not expected. (If you require assistance, contact your local supply authority for further information.)

⚠ WARNING! Electrical Shock Hazard – Before starting up your machine, please check it carefully for any defects. If you find any, do not start up your machine and contact your distributor.


The following should be observed when connecting the high-pressure electric power washer to the electric supply:

- The electric supply connection should be performed by a qualified person.
- The electric supply to this appliance should include either a residual current device that will interrupt the supply if the leakage current to the earth exceeds 30 mA for 30 ms or a device that will interrupt the earth circuit (GFCI).

IMPORTANT: Only use water without any impurities. If there is a risk of running sand into the inlet water (i.e. from your own well), an additional filter should be installed.

Safety Devices

The unloader valve can reduce pressure if it exceeds preset values. The spray gun features a locking device. When the lock is activated, the spray gun cannot be operated.

- 1. Thermal sensor** – A thermal sensor protects the motor against overloading. The machine will restart after a few minutes when the thermal sensor has cooled.
- 2. Double insulation** – In a double-insulated appliance, two systems of insulation are provided instead of grounding. No grounding means is provided on a double-insulated appliance, nor should a means for grounding be added to the appliance. Servicing a double-insulated appliance requires extreme care and knowledge of the system, and should be performed only by qualified service personnel at an authorized Snow Joe® + Sun Joe® dealer. Replacement parts for a double-insulated appliance must be identical to the parts they replace. A double-insulated appliance is marked with the words “Double Insulation” or “Double Insulated.” The symbol  (square within a square) may also be marked on the appliance.
- 3. Ground fault circuit interrupter (GFCI) protection** – this product is provided with a Ground Fault Circuit Interrupter built into the power cord plug. This device provides additional protection from the risk of electric shock. If replacement of the plug or cord is needed, use only identical replacement parts that include GFCI protection.

4. It is not recommended to use an extension cord with this pressure washer. The unit comes standard with a 35 ft GFCI power cable. Using an extension cord may cause a drop in line voltage resulting in loss of power and overheating.

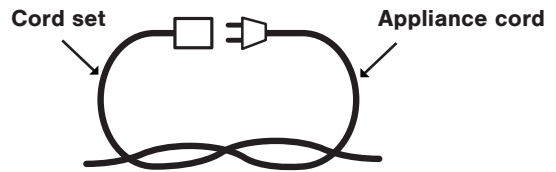
Use only extension cords that are intended for outdoor use. These extension cords are identified by marking "Acceptable for use with outdoor appliance; store indoors while not in use". Use only extension cords having an electrical rating not less than the rating of the product. Do not use damaged extension cords. Examine extension cord before using and replace if damaged. Do not abuse extension cord and do not yank on any cord to disconnect. Keep cord away from heat and sharp edges. Always disconnect extension cord from the receptacle before disconnecting the product from the extension cord.

5. To reduce the risk of electric shock, this appliance has a polarized plug (i.e. one blade is wider than the other). The appliance plug will fit into a polarized outlet only one way.

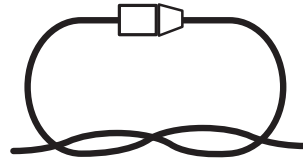
If the appliance plug does not fit fully into the outlet, reverse the plug. If the plug still does not fit, make sure that you are using the correct polarized wall outlet. If the plug still does not fit, contact a qualified electrician to install the proper wall outlet. Do not modify the appliance plug, power cord receptacle, or power cord plug in any way.

6. To prevent the appliance cord from disconnecting from the extension cord during operation, make a knot with the two cords as shown in Table 1.

Table 1. Method of Securing Extension Cord



(A) Tie cord as shown



(B) Connect plug and receptacle

7. Do not abuse the cord. Never pull the pressure washer by the cord or yank the cord to disconnect it from the receptacle. Keep the cord away from heat, oil, and sharp edges.

WARNING

Electric shock may cause SEVERE INJURY or DEATH. Heed these warnings:

- Do not allow any part of the electric pressure washer to make contact with water while it is in operation. If the appliance becomes wet while turned off, wipe dry before starting.
- Do not use an extension cord over 25 ft. The pressure washer comes equipped with a 35 ft power cable. Combined cord length must not exceed 60 ft. Any extension cord must be 14-gauge (or heavier) to safely power the pressure washer.
- Do not touch the appliance or its plug with wet hands or while standing in water. Wearing rubber boots offers some protection.

EXTENSION CORD CHART

| | |
|---------------------------|---------------|
| Cord Length: | 25 ft (7.6 m) |
| Min. Wire Gauge (A.W.G.): | 14 |

Risk of Electrocution

- Inspect cord before using.
- Do not use if cord is damaged.
- Keep all connections dry and off the ground.
- Do not touch plug with wet hands.
- Keep cord away from heat and sharp edges.
- Do not spray electrical apparatus and wiring.

Risk of Explosion

- Do not spray flammable liquids.
- Do not use acids, bases, solvents, or any flammable material in this product. These substances can cause physical injuries to the operator and irreversible damage to the machine.

Additional Safety Instructions

- High-pressure: keep clear of nozzle.
- Injection hazard: equipment can cause serious injury if the spray penetrates the skin.
- Do not point the gun at anyone or at any part of the body.
- In case of skin penetration, seek medical aid immediately.
- Before servicing, cleaning, or removing any parts, shut off the power and relieve pressure.
- This machine is not suitable for connection to the potable water mains.



Product Description

Purpose















- This high-pressure electric power washer is intended for residential use to clean vehicles, equipment, buildings, and similar surfaces.

Areas of Application

- Never use the machine in potentially explosive areas under any circumstances!
- The operating temperature must be between 32°F (0°C) and 104°F (40°C).
- The machine consists of an assembly with a pump, which is encased in a shock-absorbing housing. To provide the operator with an optimal working position, the machine is equipped with a stainless steel lance and a non-slip handle grip, whose shape and configuration comply with applicable regulations.
- Do not cover or modify the stainless steel lance or the spray nozzles in any way.
- The high-pressure electric power washer is designed to be used with cold or lukewarm water; higher temperatures can damage the pump.
- Do not use water that is dirty, gritty, or contains any chemical products, as these could impair operation and shorten the life of the machine.

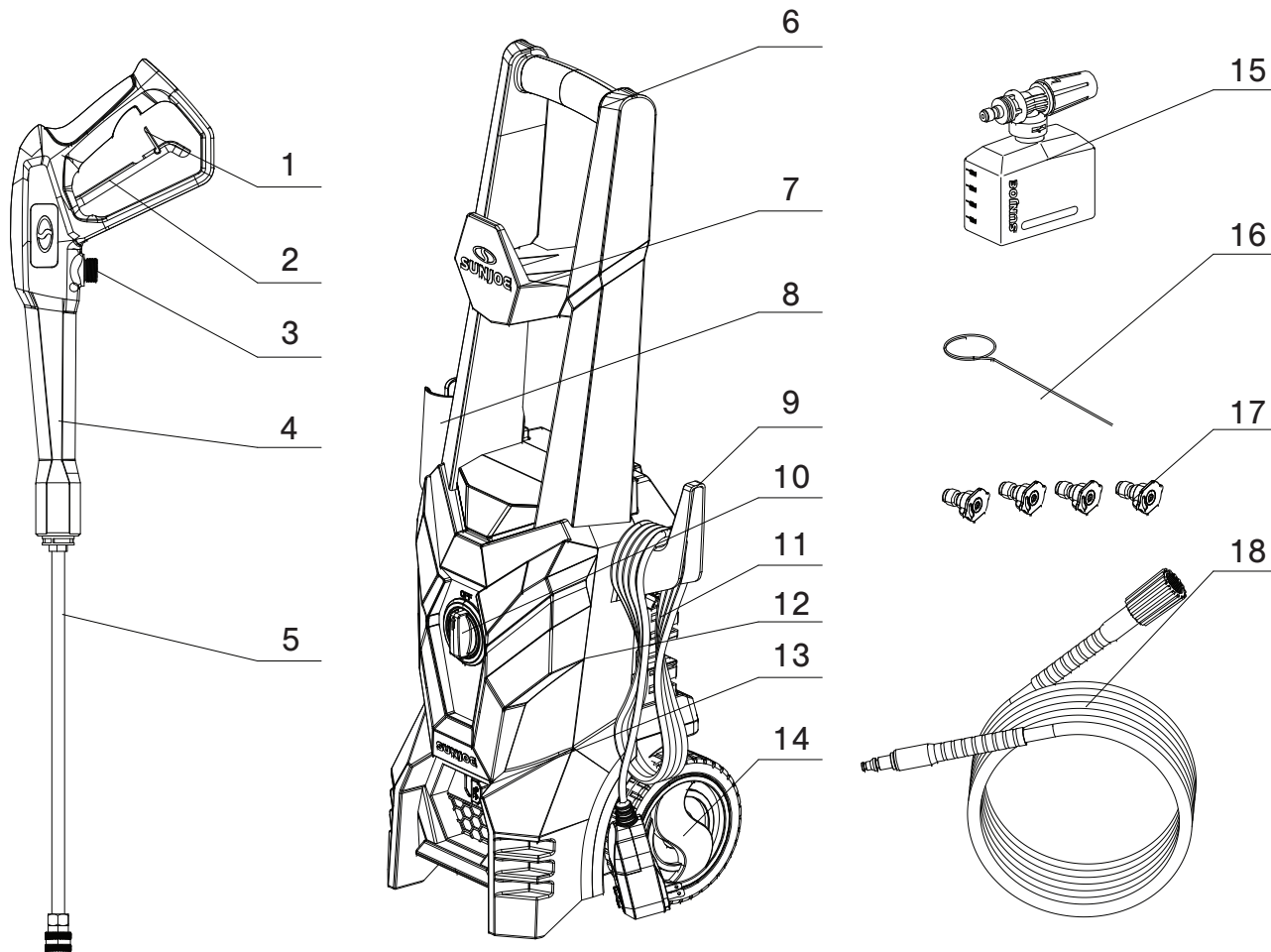
Safety Symbols

The following table depicts and describes safety symbols that may appear on this product. Read, understand, and follow all instructions on the machine before attempting to assemble and operate.

| Symbols | Descriptions | Symbols | Descriptions |
|---|---|---|---|
|  | READ THE OPERATOR'S MANUAL(S) – Read, understand, and follow all instructions in the user manual(s) before attempting to assemble and operate. |  | WARNING! Electrical shock hazard. |
|  | SAFETY ALERT – Indicates a precaution, a warning, or a danger. |  | WARNING! Do not expose the unit to rain or wet conditions. Keep dry. |
|  | WEAR EYE AND HEARING PROTECTION – For protection against injury, wear ear defenders and safety goggles. |  | To reduce the risk of injury, user must keep all bystanders at least 49 ft (15 m) away. |
|  | Wear safety gloves during use to protect hands. |  | Wear non-slip footwear that will protect your feet and improve your footing on slippery surfaces. |
|  | Store indoors. Never store the pressure washer outdoors. If the pump freezes, permanent damage may result. |  | Machine not suitable for connection to the potable water mains. |
|  | Always keep the power cable away from heat sources, oils, or sharp edges. Immediately remove plug from the mains if the cable is damaged, frayed, or entangled. |  | WARNING! Turn the machine OFF and disconnect it from the power supply before inspecting, cleaning, changing accessories, or conducting any other maintenance task. |
|  | Sound power level is 96 dB(A). |  | Double Insulation – When servicing, use only identical replacement parts. |

Know Your Electric Pressure Washer

Read the owner's manual and safety instructions carefully before operating the electric pressure washer. Compare the illustration below to the electric pressure washer in order to familiarize yourself with the location of the various controls and adjustments. Save this manual for future reference.



- 1. Safety Lock
- 2. Trigger
- 3. High-Pressure Hose Connection
- 4. Trigger Gun
- 5. Stainless Steel Lance
- 6. Transport Handle

- 7. Hose Holder
- 8. Gun Holder
- 9. Cord Holder
- 10. On/Off Switch
- 11. Power Cord with GFCI
- 12. High-Pressure Washer

- 13. Water Outlet
(High-Pressure Connection)
- 14. Wheel (2)
- 15. Detergent Bottle
- 16. Needle Clean-Out Tool
- 17. 0°/15°/ 25°/ 40°
Quick Connect Nozzles
- 18. High-Pressure Hose

Technical Data

| | |
|---|------------------------|
| Rated Voltage | 120V ~ 60 Hz |
| Motor | 13 - amp |
| Max Water Inlet Temperature | 104°F/40°C |
| Max Water Inlet Pressure | 0.7 MPa |
| Max Pressure at initial discharge per ITS internal pressure testing | 1800 PSI |
| Rated Pressure under typical load | 1300 PSI |
| Max Flow with nozzle open at minimum pressure | 1.7 GPM (6.8L/MIN) |
| Rated Flow under typical load | 1.2 GPM (4.5L/MIN) |
| Hose Length | 20 ft (6 m) |
| Detergent Bottle Capacity | 13.53 fl oz (400 ml) |
| Power Cord Length | 35 ft (GFCI Protected) |
| Net Weight | 14.33 lbs (6.5 kg) |
| Gross Weight | 16.53 lbs (7.5 kg) |

Unpacking

Carton Contents

- Electric pressure washer
- Transport handle
- Trigger gun
- Stainless steel lance
- Four (4) Quick-Connect nozzles (0°, 15°, 25°, and 40°)
- Detergent bottle
- Trigger gun holder
- Screws (x 4)
- Cord holder
- Needle clean-out tool
- High-pressure hoses
- Manual

1. Carefully remove the pressure washer and check to see that all of the above items are supplied.
2. Inspect the product carefully to make sure no breakage or damage occurred during shipping. If you find damaged or missing parts, DO NOT return the unit to the store. Please call the All Season Power customer service center at 1-866-225-9723.

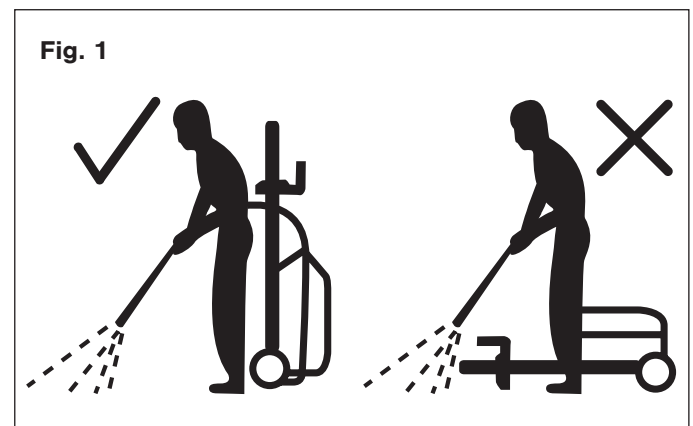
NOTE: Do not discard the shipping carton and packaging materials until you are ready to use your new electric pressure washer. The packaging is made of recyclable materials. Properly dispose of these materials in accordance with local regulations.

IMPORTANT! The equipment and packaging materials are not toys. Do not let children play with plastic bags, foils, or small parts. These items can be swallowed and pose a suffocation risk!

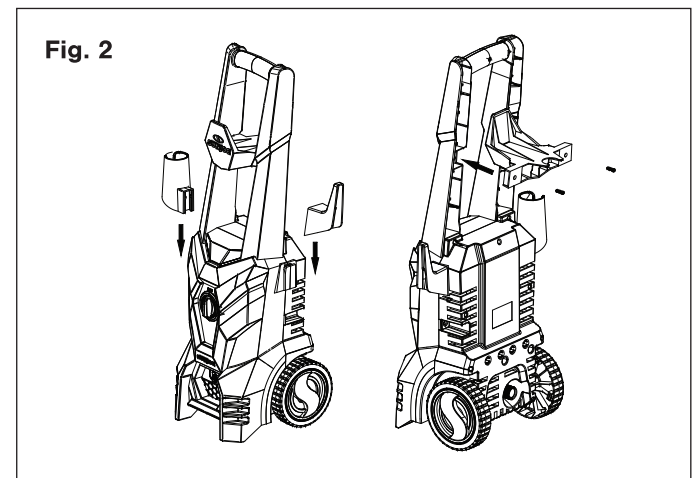
⚠️ WARNING! Do not connect to power supply until assembly is complete. Failure to comply could result in accidental starting and possible serious personal injury.

Assembly

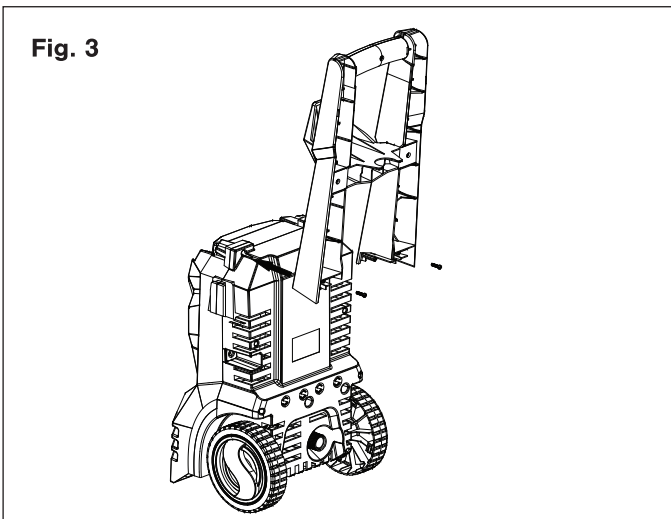
1. Position the washer as CLOSE as possible to the water supply.
2. The washer must be used on a secure and stable surface in a standing, upright position (Fig. 1).



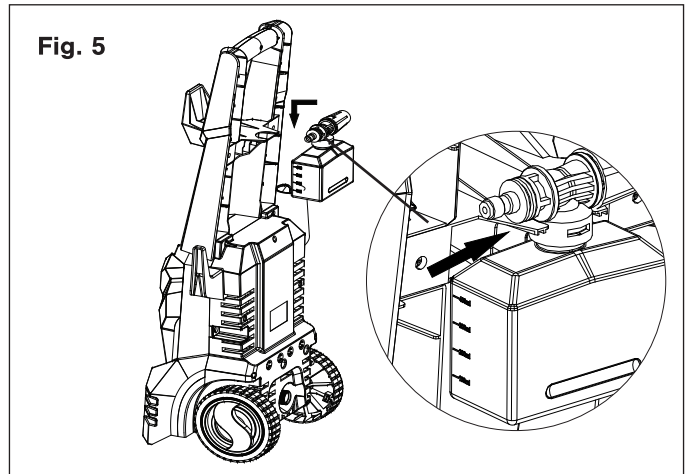
3. Slide the trigger gun holder, hose holder and cord holder into position (Fig. 2).



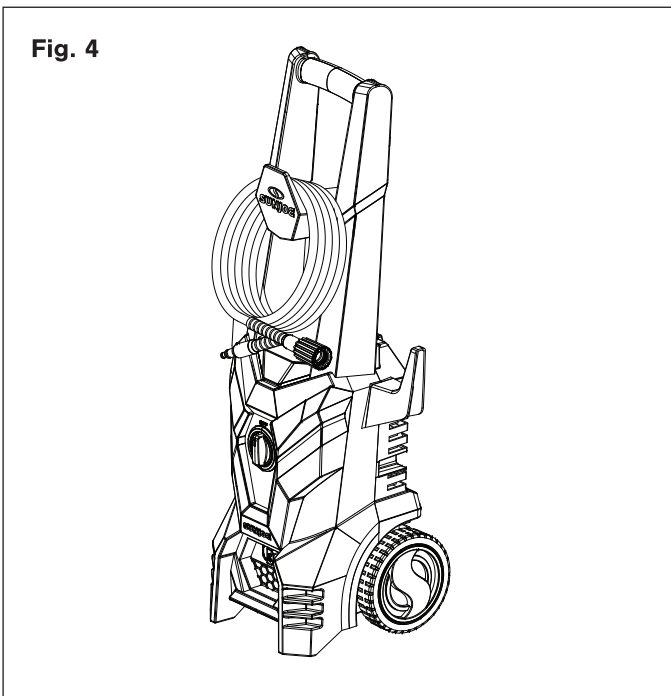
4. Slide the handle into position (Fig. 3).



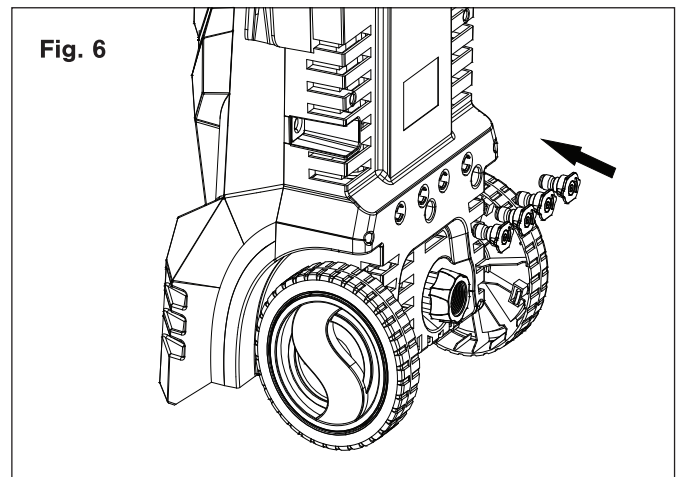
6. Attach the detergent bottle to the hook on the back of the hose holder, and press it down firmly to ensure it is securely stored (Fig. 5).



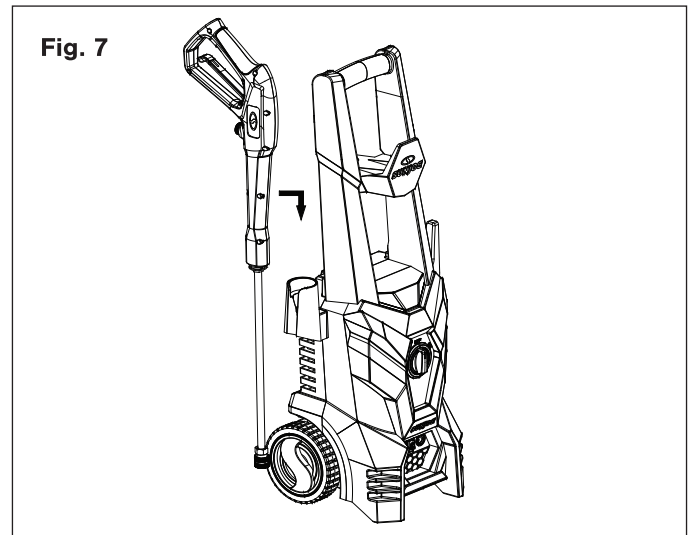
5. Store the hose in place (Fig. 4). This allows the hose to be securely stored when nozzle not in use.



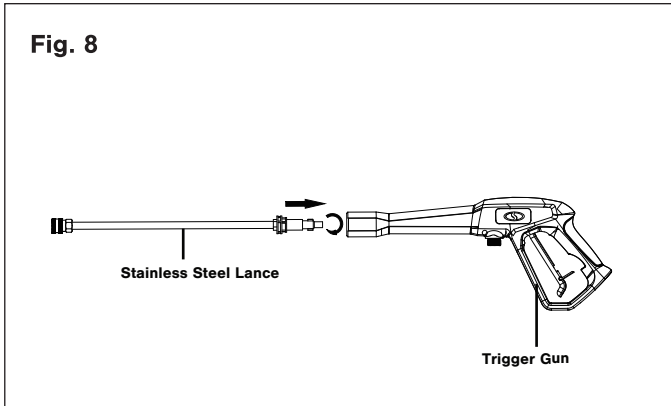
7. Put the nozzle in the storage part (Fig. 6).



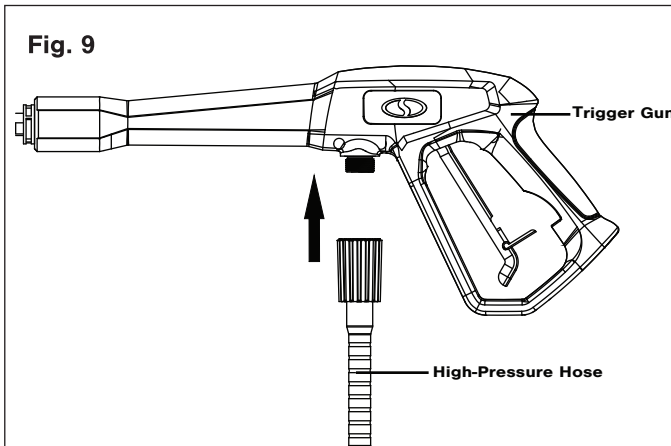
8. Insert the trigger gun into the trigger gun holder (Fig. 7).



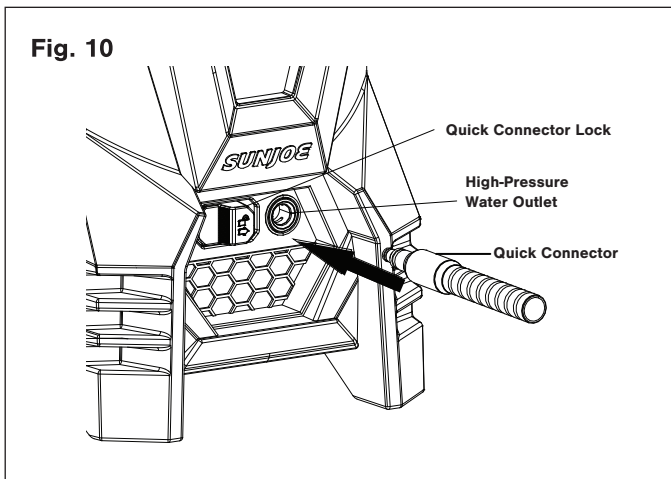
9. Fit the stainless steel lance into the trigger gun and make sure the two parts are completely locked (Fig. 8).



10. Connect the high-pressure hose to the trigger gun (Fig. 9).

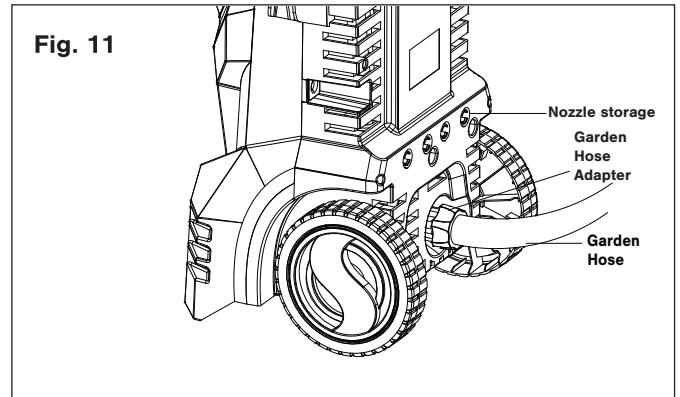


11. Connect the high-pressure hose to the outlet on the washer (Fig. 10).



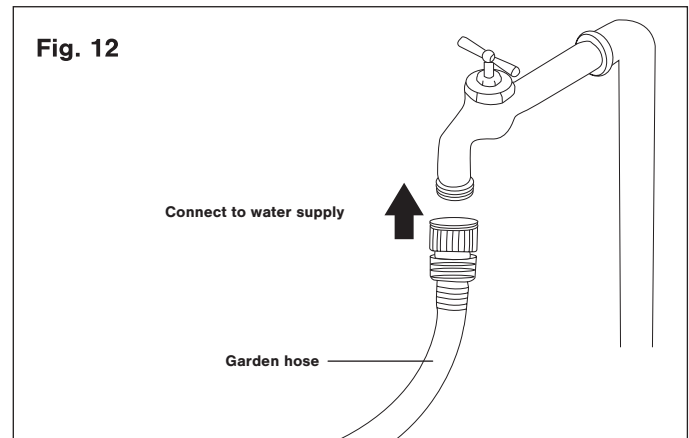
! WARNING! Keep hose away from sharp objects. Bursting hoses may cause injury. Examine hoses regularly and replace if damaged. Do not attempt to mend a damaged hose.

12. Connect the garden hose adapter (female coupler) to the water inlet of the pressure washer, then thread your garden hose (male end) into the garden hose adapter (Fig. 11). The garden hose must have an internal diameter of at least 13 mm (1/2 in.) and must be reinforced. The water supply must be at least equal to the washer delivery capacity.



! WARNING! The machine is not suitable for connection to the potable water main.

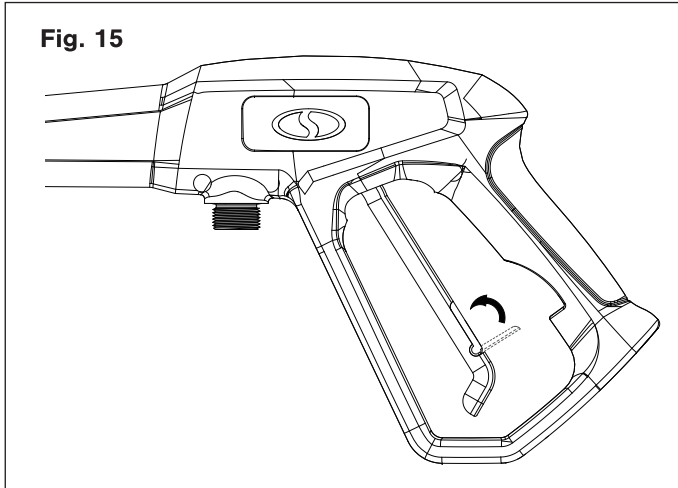
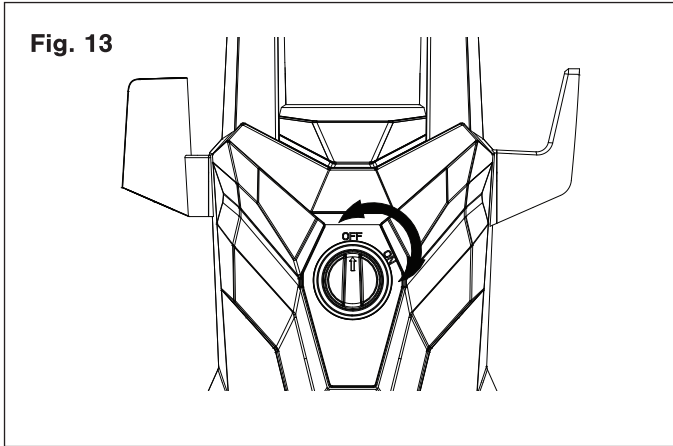
13. Attach garden hose to water supply (Fig. 12).



! WARNING! The intake water temperature must not exceed 104°F/40°C. The water supply must not exceed 0.7 MPa.

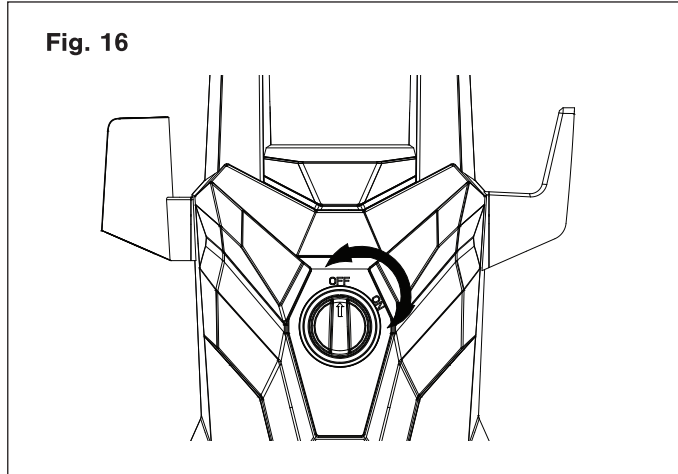
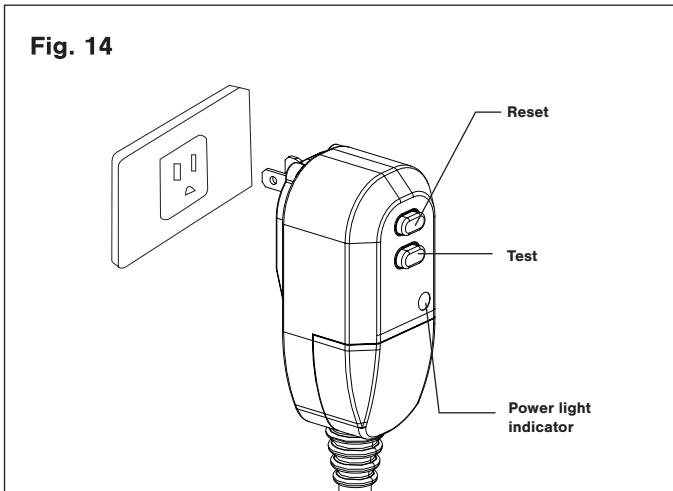
! CAUTION! The washer must only be used with clean water; use of unfiltered water containing corrosive chemicals will damage the washer.

14. Make sure the On/Off switch is set to the OFF position before plugging the unit into the power outlet (Fig. 13).



15. Check that the electrical supply voltage and frequency (Volt/Hz) correspond to those specified on the pressure washer rating plate. If the power supply is correct, you may now plug the pressure washer into the power outlet (Fig. 14).

3. Turn the switch to the ON position to start the pressure washer (Fig. 16).



NOTE: The GFCI may need to be reset when first plugged into the electric outlet. Press the "Reset" button until the power light indicator on the GFCI illuminates.

Operation

⚠️ IMPORTANT! This pressure washer is equipped with a micro-switch sensitive to water flow. This Total Stop System (TSS) senses water flow in the pump. When the trigger is released, water stops flowing through the pump. The TSS then automatically turns the motor off to protect the pump from overheating, thus saving energy and prolonging pump life.

1. Turn the water supply tap on completely.
2. Make sure the safety lock is down and in its original position (Fig. 15), then press the trigger for a few seconds until water flow is steady. This will allow air to escape and discharge any residual pressure in the hose.

Using the Nozzles

Before beginning any cleaning task, determine the best nozzle for the job. Each of the nozzles has a different spray pattern. The nozzle patterns are 40° (for gentle cleaning), 25° (for all-purpose cleaning), 15° (for tough jobs), and the 0° (for spot cleaning or hard-to-reach areas).

⚠️ CAUTION! NEVER change nozzles without locking the safety lock on the trigger handle.

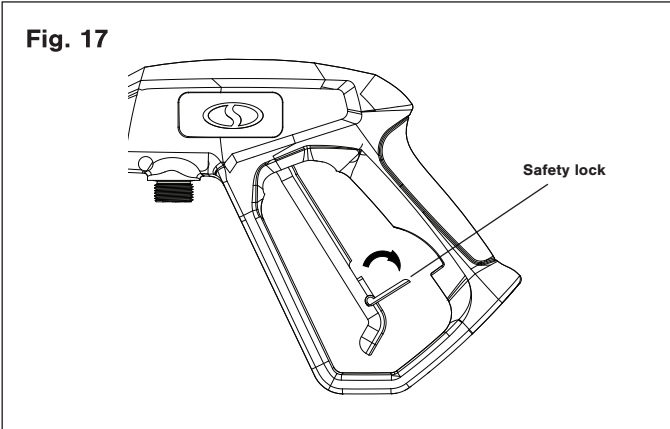
⚠️ WARNING! High-pressure jets can be dangerous if subject to misuse. The jet must not be directed at persons, pets, live electrical equipment, or the appliance itself.

This electric pressure washer is equipped with four (4) Quick-Connect nozzles that easily snap onto the Quick-Connect collar of the stainless steel lance.

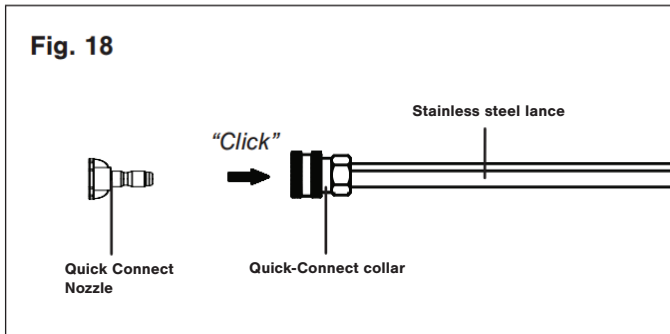
To connect a nozzle to the stainless steel lance:

1. Turn off the pressure washer and shut off the water supply. Pull the trigger to release water pressure.

2. Press the trigger and then turn the safety lock to make sure it is locked (Fig. 17).



3. Snap the desired nozzle onto the Quick-Connect collar until it *clicks* into place (Fig. 18).



To disconnect a nozzle from the stainless steel lance once the cleaning job is complete:

4. Turn off the pressure washer and shut off the water supply. Pull the trigger to release water pressure.
5. Engage the safety lock on the trigger handle by pushing up on the safety lock until it *clicks* into the slot (Fig. 17).
6. Remove the nozzle by placing your hand over the nozzle while pulling back on the Quick-Connect collar.

!WARNING! Do not make changes to the nozzle while the trigger is engaged. Doing so could result in damage to the pressure washer or injury to the user.

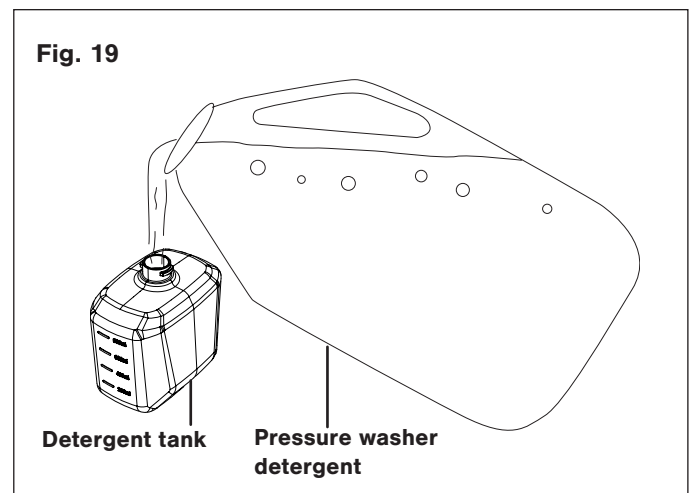
Working with Detergents

When cleaning with the pressure washer, some cleaning tasks can be solved with water alone, but for most tasks cleaning with detergent allows for more effective dirt removal.

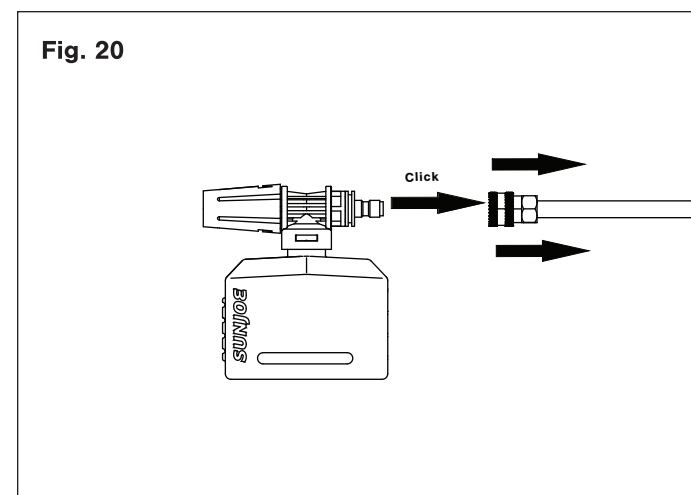
For additional cleaning power, the unit comes equipped with a detergent spray bottle.

!WARNING! Use only detergents specifically designed for use with pressure washers, such as Sun Joe® HOUSE + DECK WASH (SPX-HDC1G), Sun Joe® SNOW FOAM AUTO WASH (SPX-FCS1G), or Sun Joe® HEAVY DUTY CLEANER (SPX-APC1G). **DO NOT USE** household detergents, acids, alkaline solutions, bleaches, solvents, flammable material, or industrial grade solutions. These could damage the pressure washer. Many detergents may require mixing prior to use. Prepare the cleaning solution as instructed on the solution bottle.

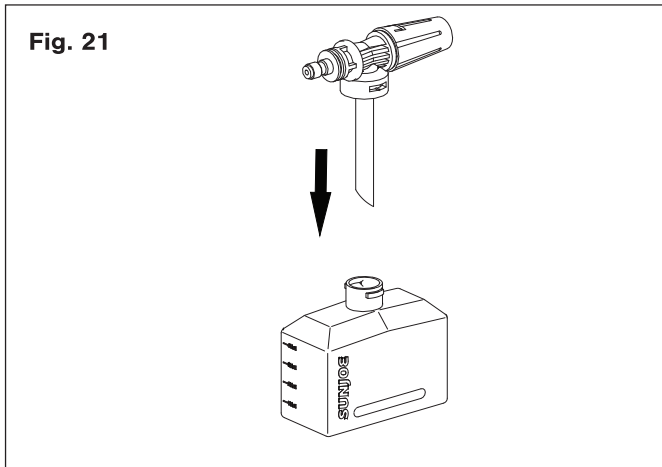
1. Remove the detergent bottle with foam cannon from the nozzle storage board. Remove the foam cannon cap with detergent suction tube from the detergent bottle.
2. Fill the detergent tank with detergent designed specifically for use with pressure washers (Fig. 19).



3. Recap the detergent bottle, and attach it to the stainless steel lance by snapping it onto the Quick-Connect collar until it *clicks* into place (Fig. 20).



4. Twist to open the soap bottle, add the recommended detergent, tighten the soap bottle after completing the installation as shown in the figure above, then you can start using it (Fig. 21).



5. Apply detergent from the bottom to the top of the dry surface to be cleaned. Applying detergent in this manner will dissolve dirt most effectively.

NOTE: Wetting the surface first is not recommended as it dilutes the detergent and reduces its cleaning ability.

CAUTION! Always test the detergent in an inconspicuous area before use.

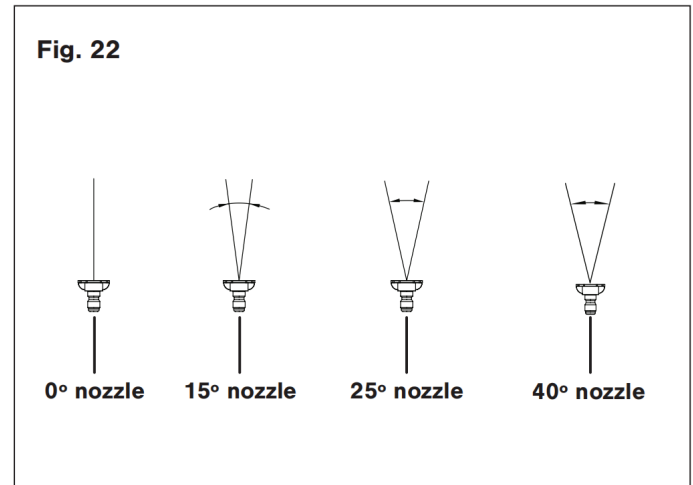
6. Allow the detergent to remain on the surface for a short time before rinsing with the pressure washer. Do not allow the detergent to dry on the surface.

CAUTION! Damage may occur to painted surfaces if the detergent is allowed to dry on them. Wash and rinse a small section at a time. Avoid working on hot surfaces or in direct sunlight.

Rinsing with the Pressure Washer

1. Turn off the pressure washer and shut off the water supply.
2. Pull the trigger to release water pressure.
3. Engage the safety lock on the trigger handle by pushing up on the safety lock until it clicks into the position.
4. Remove the detergent bottle with foam cannon by holding the bottle while pulling back on the Quick-Connect collar.

5. Select the right nozzle for the job (Fig. 22):



- i) The 0° intense-jet nozzle (red) is an extremely powerful nozzle that delivers a high-pressure, pencil-point jet stream. It is used to cut heavy dirt deposits in a small, concentrated area. It is ideal for dissolving stubborn substances, like tar and grease spots on concrete, or for removing caked mud from equipment. Use this nozzle to clean hard-to-reach areas including the facades of 2-story buildings or the undersides of lawn mowers and tractors.

NOTE: Care should be used when choosing the right nozzle to avoid permanently gouging wood or damaging fragile surfaces.
 - ii) Use the 15° fan-tip nozzle (yellow) for intense cleaning jobs on hard surfaces. Applications include stripping paint, removing oil stains, grease, heavy mildew stains, and rust from steel. This nozzle should only be used in areas that can withstand the high-pressure from this nozzle.
 - iii) Use the 25° fan-tip nozzle (green) to clean home siding, brick patios, wood decks, driveways, or sidewalks. When using this nozzle, test a small area first to avoid surface damage.
 - iv) Use the 40° wide-spray tip nozzle (gray) to clean items such as cars, trucks, boats, patio furniture, or lawn equipment.
6. Start at the top of the area to be rinsed and work your way down, making sure to overlap your strokes.

⚠️ IMPORTANT! NEVER USE:

- Bleach, chlorine products, and other corrosive chemicals
- Liquids containing solvents (e.g. paint thinners, gasoline, oils)
- Tri-sodium phosphate products
- Ammonia products
- Acid-based products

These chemicals will harm the unit and will damage the cleaning surface.

Shutting Down

1. Turn the switch to the OFF position and unplug the power cord from the outlet.
2. Turn off the water source.
3. Hold the trigger to release water pressure.
4. Disconnect the garden hose from the water inlet on the unit.
5. Disconnect the high-pressure hose connection on the trigger gun handle.
6. Release the trigger and engage the gun safety lock.

⚠️ WARNING! Turn off the water supply and squeeze the trigger to depressurize the unit. Failure to do so could result in personal injury due to discharge of high-pressure water.

Taking a Break

If you are taking a break of five minutes or more between cleaning tasks:

1. Engage the gun safety lock (Fig. 17).
2. Turn the switch to the OFF position.
3. Unplug the power cord from the outlet.

Storage

⚠️ CAUTION! Always store your pressure washer in a location where the temperature will not fall below 32°F (0°C). The pump in this machine is susceptible to permanent damage if it freezes. **FREEZE DAMAGE IS NOT COVERED BY THE WARRANTY.**

- Store the pressure washer indoors in a dry, covered area where it is not subject to adverse weather conditions.
- It is important to store this product in a frost-free area.
- Always empty water from all hoses, the pump, and the detergent bottle before storing.

⚠️ CAUTION! The use of a pump protector is recommended to prevent cold weather damage during storage over the winter months.

Winterizing + Long-Term Storage

If you must store your pressure washer in a location where the temperature falls below 32°F (0°C), you can minimize the chance of damage to your machine by utilizing the following procedure:

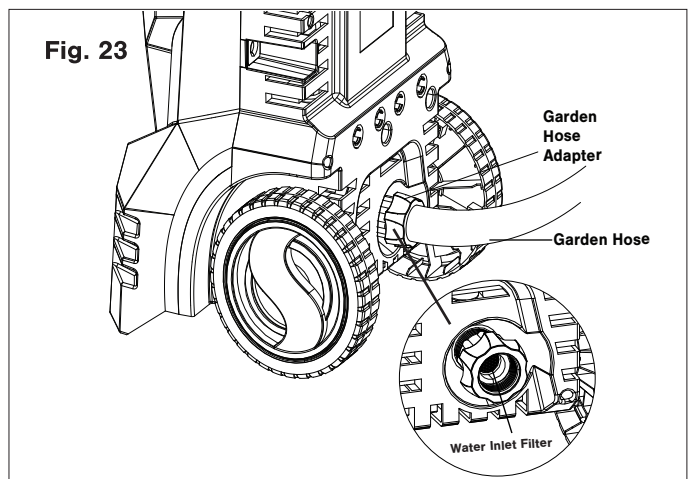
- Disconnect all water connections.
- Turn on the machine for a few seconds until the remaining water in the pump exits. Turn off immediately.
- Do not allow the high-pressure hose to become kinked.
- Store the machine and accessories in a room that does not reach freezing temperatures.
- Do not store near a furnace or other sources of heat that may dry out the pump seals.
- Operate the pressure washer with non-corrosive/non-toxic anti-freeze, a pump saver, or a pump protector before storing for the winter.

⚠️ WARNING! Before reusing, completely flush the unit out with clear water. Anti-freeze products can damage paintwork, so you must ensure there is no anti-freeze left in the system before using it again.

Maintenance

⚠️ CAUTION! Before working on the pressure washer, disconnect the plug from the power supply socket.

1. To ensure good performance, check and clean the water inlet filter (Fig. 23). Remove the water inlet filter and rinse it with warm water to prevent any foreign matter from clogging the pump (Figs. 24 – 25).



Troubleshooting


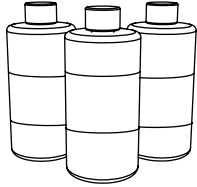
- Disconnect the unit from the electrical power supply before carrying out maintenance on the machine or when checking that its parts are in proper working order.
- The hose must be connected and the water turned on before operating your unit. Failure to do so will damage the pump motor and void your warranty.
- Total Stop System (TSS) – The motor will shut OFF and remain in standby mode during periods of inactivity, or as soon as the unit is pressurized. THIS IS NORMAL. Simply squeeze the trigger to restart the pump motor.
- To avoid unnecessary hassles, consult the following table before contacting customer service with any mechanical issues.

| Problems | Possible Cause | Possible Solution |
|--|---|--|
| Machine refuses to start | <ul style="list-style-type: none"> • Power failure/machine not plugged into a working receptacle. • Defective socket. • Fuse has blown. • Defective extension cord. | <ul style="list-style-type: none"> • Check to make sure machine is plugged into a working outlet. • Check the power cord and reset the GFCI. Try a different outlet. • Replace fuse. Switch off any other machines that are using the same circuit. • Try the unit without an extension cord. |
| Fluctuating pressure | <ul style="list-style-type: none"> • Pump sucking air. • Valves dirty, worn out, or stuck. • Pump seals worn out. | <ul style="list-style-type: none"> • Check the hoses and connections are airtight. • Clean or replace valves/seals. • Please call the All Season Power customer service center at 1-866-225-9723 for assistance. |
| Machine stops | <ul style="list-style-type: none"> • Fuse has blown. • Incorrect mains voltage. • Thermal sensor activated. • Nozzle partially blocked. | <ul style="list-style-type: none"> • Replace fuse. Switch off other machines using the same circuit. • Check that the mains voltage corresponds to specification on the model tag. • Leave the washer for 5 minutes to cool down. • Clean the nozzle. |
| Fuse blows | <ul style="list-style-type: none"> • Fuse too small. | <ul style="list-style-type: none"> • Install a fuse with a higher amp rating than the amp consumption of the machine. Try the unit without an extension cord. |
| Machine pulsating | <ul style="list-style-type: none"> • Air in inlet hose. • Inadequate supply of mains water. • Nozzle partially blocked. • Water filter blocked. • Hose kinked. | <ul style="list-style-type: none"> • Allow machine to run by holding the trigger until regular working pressure resumes. • Check that the water supply corresponds to the specifications required. • WARNING! Avoid using long, thin hoses (minimum 1/2 in. diameter). • Clean the nozzle. • Clean the water inlet filter. • Straighten out the hose to remove any kinks/blockages. |
| Machine often starts and stops by itself | <ul style="list-style-type: none"> • Pump/spray gun is leaking. • Trigger mechanism is broken. | <ul style="list-style-type: none"> • Please call All Season Power customer service center at 1-866-225-9723 for assistance. |
| Machine starts, but no water comes out | <ul style="list-style-type: none"> • Pump/hoses or accessories frozen. • No water supply. • Water inlet filter blocked. • Nozzle blocked. | <ul style="list-style-type: none"> • Wait for pump/hoses or accessories to thaw. • Connect inlet water. • Clean the water inlet filter. • Clean the nozzle. |



Optional Accessories

⚠️ WARNING! ALWAYS use only authorized Snow Joe® + Sun Joe® replacement parts and accessories. NEVER use replacement parts or accessories that are not intended for use with this electric pressure washer. Contact All Season Power if you are unsure whether it is safe to use a particular replacement part or accessory with your pressure washer. The use of any other attachment or accessory can be dangerous and could cause injury or mechanical damage.

| Accessories | Description | Model |
|---|--|--|
| <p>①</p>  | <p>Concentrated house and deck cleaner for Sun Joe® pressure washers</p> <p>Premium car wash soap and foaming detergent for Sun Joe® pressure washers</p> <p>High-performance multipurpose cleaner and degreaser for Sun Joe® pressure washers</p> | <p>SPX-HDC1G</p> <p>SPX-FCS1G</p> <p>SPX-APC1G</p> |
| <p>②</p>  | <p>3-Pack Pressure Washer Concentrate</p> | <p>SPX-ASST3Q</p> |

Sun Joe's complete line of premium pressure washer accessories and attachments make it easy to get your dirty work done, and also help you get the most out of your model!

SHOP ONLINE now at shopjoe.com

NOTE: Accessories are subject to change without any obligation on the part of All Season Power to provide notice of such changes. Accessories can be ordered online at shopjoe.com or via phone by contacting the All Season Power customer service center at 1-866-225-9723.





OUR CUSTOMER PROMISE + LIMITED WARRANTY

ABOVE ALL ELSE, All Season Power, LLC (“All Season Power”) is dedicated to you, our customer. We strive to make your experience as pleasant as possible. Unfortunately, there are times when a Snow Joe®, Sun Joe®, Aqua Joe® or Auto Joe® product (“Product”) does not work or breaks under normal operating conditions. We think it’s important that you know what you can expect from us. That’s why we have a Limited Warranty (“Warranty”) for our Products.

OUR WARRANTY:

All Season Power warrants new, genuine, powered and non-powered Products to be free from defects in material or workmanship when used for ordinary household use for a period of two years from the date of purchase or delivery by the original, end-user purchaser when purchased from All Season Power or from one of All Season Power’s authorized sellers with proof of purchase. Because All Season Power is unable to control the quality of its Products sold by unauthorized sellers, unless otherwise prohibited by law, this Warranty does not cover Products purchased from unauthorized sellers. If you have any questions about how to buy from an authorized seller, chat with us at shopjoe.com/support or call us at **1-866-225-9723**. If your Product does not work or there’s an issue with a specific part that is covered by the terms of this Warranty, All Season Power will elect to either (1) send you a free replacement part, (2) replace the Product with a new or comparable product (which may include a refurbished, like-new product) at no charge, or (3) repair the Product. How cool is that!

PRODUCT REGISTRATION:

All Season Power strongly encourages you to register your Product. You can register online at shopjoe.com/register, by chatting with us at shopjoe.com/support or calling our Customer Service Department at **1-866-225-9723**. Failure to register your Product will not diminish your warranty rights. However, registering your Product will allow All Season Power to better serve you with any of your customer service needs.

WHO CAN SEEK LIMITED WARRANTY COVERAGE:

This Warranty is extended by All Season Power to the original purchaser and original owner of the Product.

WHAT IS NOT COVERED?

This Warranty does not apply if the Product has been used commercially or for non-household or rental applications. This Warranty also does not apply if the Product was purchased from an unauthorized seller. This Warranty also does not cover cosmetic changes that do not affect performance. Wearing parts like belts, augers, chains and tines are not covered under this Warranty, and can be purchased at shopjoe.com or by calling 1-866-225-9723.



We encourage you to use **CERTIFIED AUTHENTIC** Snow Joe®, Sun Joe®, Aqua Joe® + Auto Joe® replacement parts + accessories. Damage caused by the use of any other parts + accessories on your Product will not be covered under the warranty. Genuine parts + accessories can be found and purchased here by entering the model number of your product.

When you register your powered or non-powered Product with All Season Power at shopjoe.com/register, you will receive an additional 90 days of warranty coverage. In addition, you will have the option of purchasing extended warranty coverage beyond the standard 2-year manufacturer’s warranty. Choose from one, two, or three years of extended coverage through Extend, Inc. Additional charges apply. When you Go With Joe®, you’re not just buying an extended warranty; you’re buying total peace of mind to know that you can rely on our top-notch tools, top-tier customer support, complete product coverage + no hassle return policy. Chat with us at shopjoe.com/support or call us at **1-866-225-9723** 7 days a week 10AM-6PM EST. We’ve got you covered!

There are no warranties which extend beyond those stated herein. **ANY IMPLIED WARRANTIES THAT MAY BE APPLICABLE TO PRODUCTS, INCLUDING IMPLIED WARRANTIES OF MERCHANTABILITY OR FITNESS FOR A PARTICULAR PURPOSE, ARE LIMITED IN DURATION TO THE DURATION OF THIS WARRANTY.** Some States do not allow limitations on how long an implied warranty lasts, so the above limitation may not apply to you.

UNDER NO CIRCUMSTANCES SHALL WE BE LIABLE FOR ANY SPECIAL, INCIDENTAL, OR CONSEQUENTIAL DAMAGES BASED UPON BREACH OF THIS LIMITED WARRANTY, BREACH OF CONTRACT OR STRICT LIABILITY. Some States do not allow the exclusion or limitation of incidental or consequential damages, so the above limitation or exclusion may not apply to you. This warranty gives you specific legal rights, and you may also have other rights which vary from State to State. This warranty supersedes those printed in product manuals.



shopjoe.com

®