



# TOPENS<sup>®</sup>

ERM12

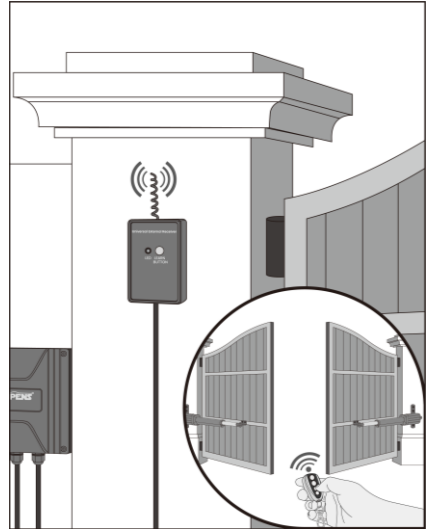
## Universal External Receiver User Manual



**Enhance Control for Better Performance !**

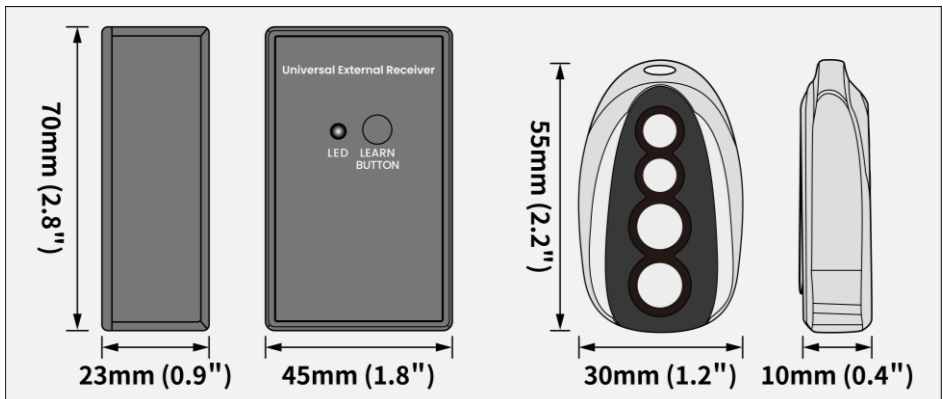
# Product Description

The universal external receiver receives signals from TOPENS wireless access devices and transmits them to the gate opener, triggering the gate to open or close. It establishes a secure and reliable connection between the gate opener and remote control devices. The receiver supports programming of up to 250 remote controls and extends the operating range of TOPENS wireless accessories. The kit includes one external receiver and two M12 remote controls.



## 1 SPECIFICATIONS AND DIMENSIONS

<b>Operating Voltage</b>	9-24VDC
<b>Control Range</b>	Max. 30m (98 feet)
<b>Working Temperature</b>	-20°C ~ +50°C (0°F to 120°F)
<b>Protection Class</b>	IP44



## 2 WIRING THE RECEIVER

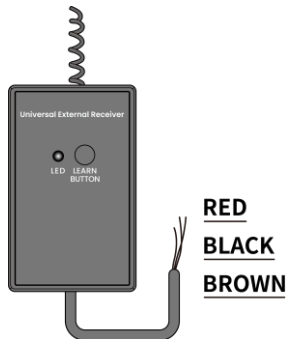
### Terminal Overview

**Red Wire:** Positive power input

**Black Wire:** Negative power input

**Brown Wire:** Signal output

**Note:** The black and brown wires provide a normally open signal output. When the programmed remote control is pressed, they momentarily short-circuit, outputting a normally closed signal for approximately 500ms.

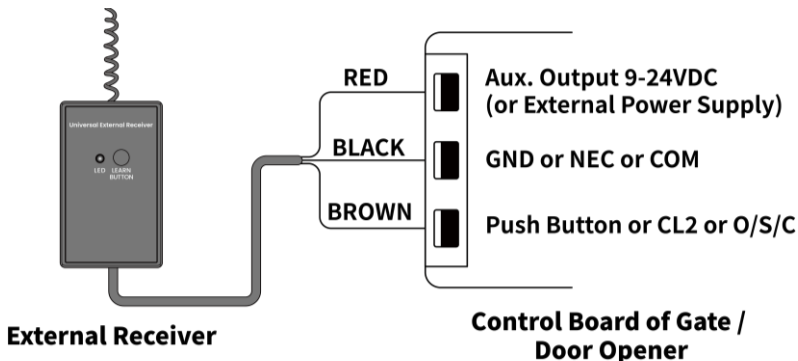


### Wire Connection

- ◆ Connect the red wire to the auxiliary power output (9-24VDC) on the control board of the gate opener, or to an external power source.
- ◆ Connect the black wire to the GND, NEC, or COM terminal (accepts a “Normally Open Dry Contact” signal) on the control board of the gate opener.
- ◆ Connect the brown wire to the Push Button, CL2, or O/S/C terminal on the control board of the gate opener.

#### Notes:

- The receiver comes preinstalled with a 30cm 3C x 0.13mm<sup>2</sup> (26AWG) cable.
- One receiver can only work for one gate opener, while one gate opener can connect up to two receivers.
- For detailed wiring instructions with a TOPENS gate opener, refer to the “Connection of Accessories” section in the corresponding gate opener’s installation manual.



### **3 PROGRAMMING A REMOTE WITH THE RECEIVER**

---

- ◆ Press and release the LEARN BUTTON on the receiver, the LED light will turn on.
- ◆ Press the remote control button you want to program once, then press it again after the LED on the remote turns off.
- ◆ The LED light on the receiver will flash for approximately 3 seconds and then turn off, indicating successfully programming.

#### **Notes:**

- *Before programming, ensure that the M12 remote control is disconnected from the control board to avoid conflicts.*
- *The receiver works only with TOPENS wireless remote control accessories and can be programmed with up to 250 wireless devices.*
- *The receiver is compatible with all TOEPNS gate openers and most third party gate or door openers whose control boards accept a “Normal Open Dry Contact” signal for the push button. It does not support other door access control systems.*

### **4 ERASING ALL PROGRAMMED REMOTES**

---

Press and hold the LEARN BUTTON until the LED light turns from on to off. Now all programmed remote controls have been erased.

## **Feedback & Review**

Your comments and suggestions are important to us as they help us provide the best possible service.

Should you have any need to contact us, the info below will help you get in touch:



TOPENS Website

**[www.topens.com](http://www.topens.com)**

Contact Us:

E-mail: [support@topens.com](mailto:support@topens.com)

*Kindly include your purchase channel, order #, gate information, issue description and your contact information. All your concerns will be replied within 24 hours.*

Tel: +1 (888) 750 9899 (Toll Free USA & Canada)