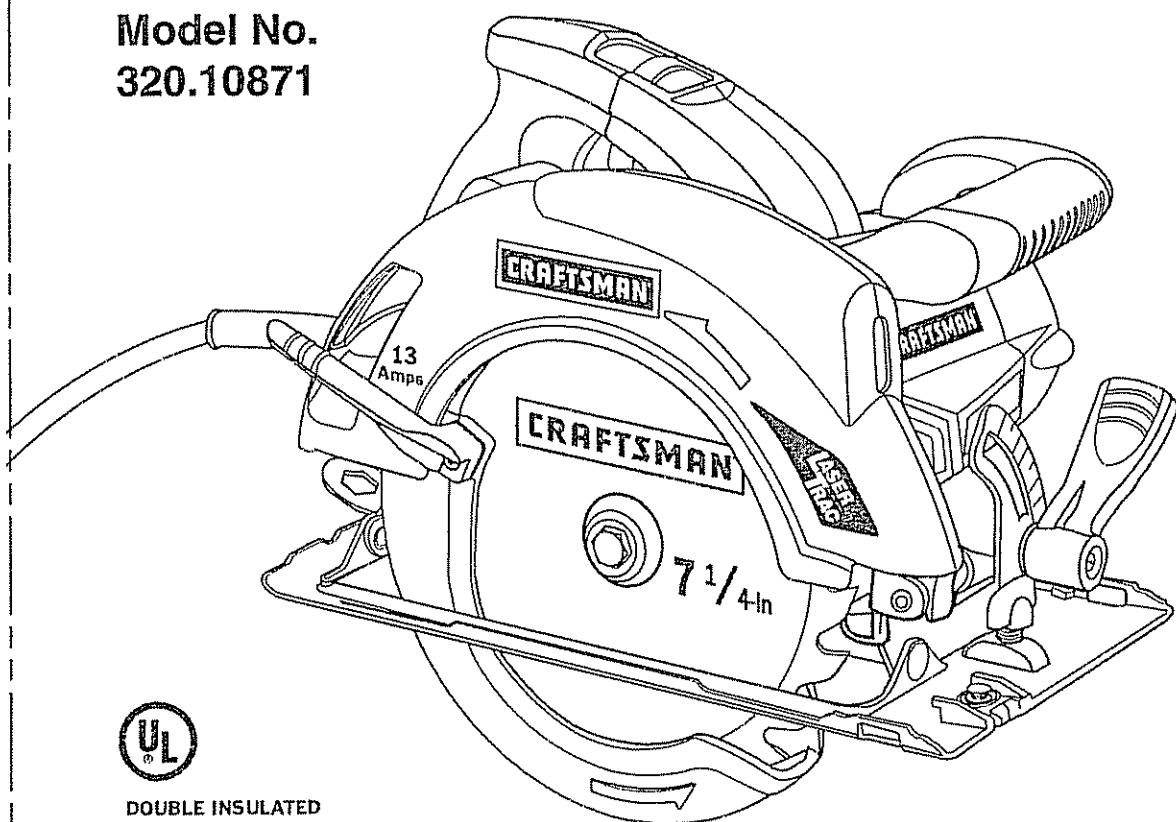


# Operator's Manual

## CRAFTSMAN®

### 13 Amp 7 1/4-in. Circular Saw with Laser Trac™

Model No.  
320.10871



DOUBLE INSULATED

**⚠ CAUTION** Read, understand and follow all Safety Rules and Operating Instructions in this Manual before using this product.

Sears, Roebuck and Co.,  
Hoffman Estates, IL 60179 U.S.A.  
Visit our Craftsman website: [www.craftsman.com](http://www.craftsman.com)

- WARRANTY
- SAFETY
- UNPACKING
- ASSEMBLY
- DESCRIPTION
- OPERATION
- ADJUSTMENTS
- MAINTENANCE

## TABLE OF CONTENTS

Warranty.....	Page 2
Safety Symbols.....	Page 3
Safety Instructions.....	Pages 4 - 11
Glossary of Terms.....	Pages 11 - 12
Unpacking.....	Pages 12 - 13
Assembly.....	Pages 13 - 14
Description.....	Pages 15 - 17
Operation.....	Pages 17 - 27
Adjustments.....	Page 28 - 29
Maintenance.....	Pages 29 - 30
Troubleshooting.....	Page 30
Accessories.....	Page 30
Repair Parts.....	Pages 31 - 34
Sears Repair Parts Phone Numbers.....	Back Cover

### ONE YEAR FULL WARRANTY ON CRAFTSMAN® PRODUCT

If this Craftsman product fails due to a defect in material or workmanship within one year from the date of purchase, **RETURN IT TO THE NEAREST SEARS STORE OR PARTS AND REPAIR CENTER OR OTHER CRAFTSMAN OUTLET IN THE UNITED STATES FOR FREE REPAIR (OR REPLACEMENT IF REPAIR PROVES IMPOSSIBLE).**

This warranty does not include expendable parts such as lamps, batteries, bits or blades.

If this Craftsman product is used for commercial or rental purposes, this warranty applies for only 90 days from the date of purchase.


This warranty gives you specific legal rights, and you may also have other rights, which vary from state to state.

Sears, Roebuck and Co., Hoffman Estates, IL 60179

**SAVE THESE INSTRUCTIONS!  
READ ALL INSTRUCTIONS!**

## SAFETY SYMBOLS

The purpose of safety symbols is to attract your attention to possible dangers. The safety symbols, and the explanations with them, deserve your careful attention and understanding. The symbol warnings **DO NOT** by themselves eliminate any danger. The instructions and warnings they give are no substitutes for proper accident prevention measures.

 **WARNING:** BE SURE to read and understand all safety instructions in this manual, including all safety alert symbols such as "DANGER", "WARNING" and "CAUTION", BEFORE using this saw. Failure to follow all instructions listed below may result in electric shock, fire and/or serious personal injury.

### SYMBOL MEANING



**SAFETY ALERT SYMBOL:** Indicates DANGER, WARNING, OR CAUTION. May be used in conjunction with other symbols or pictographs.



**DANGER:** Failure to obey this safety warning **WILL** result in death or serious injury to yourself or to others. Always follow the safety precautions to reduce the risk of fire, electric shock and personal injury.



Failure to obey this safety warning **CAN** result in death or serious injury to yourself or to others. Always follow the safety precautions to reduce the risk of fire, electric shock and personal injury.




Failure to obey this safety warning **MAY** result in personal injury to yourself or others or property damage. Always follow the safety precautions to reduce the risk of fire, electric shock and personal injury.

### DAMAGE PREVENTION AND INFORMATION MESSAGES

These inform user of **important information and/or instructions** that could lead to equipment or other property damage if not followed. Each message is preceded by the word "**NOTE:**" as in the example below:

**NOTE:** Equipment and/or property damage may result if these instructions are not followed.



 **WARNING:** The operation of any tool with a circular blade can result in foreign objects being thrown into your eyes, which can result in severe eye damage. Before beginning power tool operation, **ALWAYS** wear safety goggles or safety glasses with side shield and a full-face shield when needed. We recommend a Wide Vision Safety Mask for use over eyeglasses or standard safety glasses with side shield, available at Sears Stores or other Craftsman Outlets.

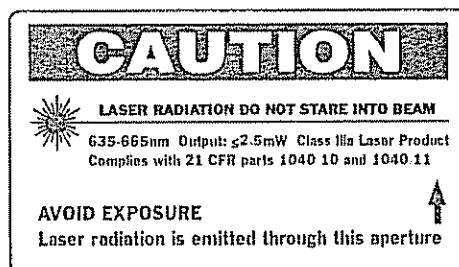
## SAFETY INSTRUCTIONS

**⚠ WARNING:** BE SURE to read and understand all instructions in this manual before using this circular saw. Failure to follow all instructions may result in hazardous radiation exposure, electric shock, fire and/or serious personal injury.

### SAFETY PRECAUTIONS FOR LASERS

This circular saw has a built-in laser light. The laser is a Class IIIa and emits output power of a maximum 1mW and 635-665nm wavelengths. These lasers do not normally present an optical hazard. However, DO NOT stare at the beam as this can cause flash blindness.

The following label is on your tool. It indicates where the saw emits the laser light. BE AWARE of the laser light location when using. ALWAYS MAKE SURE that any bystanders in the vicinity of use are made aware of the dangers of looking directly into the laser.



**⚠ WARNING:** LASER LIGHT. LASER RADIATION. Avoid Direct Eye Exposure. DO NOT stare into beam. Only turn laser beam on when the saw is on the workpiece. Class IIIa laser.

**⚠ WARNING:** Use of controls, adjustments or performance of procedures other than those specified in this manual may result in hazardous radiation exposure.

**⚠ WARNING:** The use of optical instruments such as, but not limited to, telescopes or transits to view the laser beam will increase eye hazard.

1. DO NOT remove or deface any product labels. Removing product labels increases the risk of exposure to laser radiation.
2. The laser beam can be harmful to the eyes. ALWAYS avoid direct eye exposure. DO NOT look directly into the laser beam output aperture during operation. DO NOT project the laser beam directly into the eyes of others. Turn laser on ONLY when making cuts.
3. Laser enhancing safety glasses are included to enhance the laser beam in bright light conditions. DO NOT wear these glasses if they interfere with the safe operation of this saw.
4. The laser on the circular saw is not a toy. ALWAYS keep out of the reach of children. The laser light emitted from this device SHOULD NEVER be directed towards any person for any reason.
5. BE SURE the laser beam is aimed at a workpiece (such as wood or rough coated surfaces) that does not have a reflective surface.

## **SAFETY INSTRUCTIONS con.**

6. **DO NOT** use on surfaces such as sheet steel that have a shiny, reflective surface. The shiny surface could reflect the beam back at the operator. Be aware that laser light reflected off of a mirror or any other reflective surfaces can also be dangerous.
7. **ALWAYS** turn the laser beam off when not in use. Leaving the tool on increases the risk of someone inadvertently staring into the laser's beam.

**⚠ CAUTION:** ALWAYS follow only the instructions contained in this manual when using this laser. Use of this feature in any manner other than what appears in this manual may result in a hazardous radiation exposure.

8. **DO NOT** attempt to modify the performance of this laser device in any way. This may result in a dangerous exposure to laser radiation.
9. **ALWAYS** use only the accessories that are recommended by Sears for use with this product. Use of accessories that have been designed for use with other laser tools could result in serious injury.
10. For further information regarding lasers, refer to ANSI-Z136.1 The **STANDARD FOR THE SAFE USE OF LASERS**, available from the Laser Institute of America (407) 380-1553.

### **WORK AREA SAFETY**

1. **Keep your work area clean and well lit.** Cluttered workbenches and dark areas invite accidents.
2. **DO NOT** operate power tools in explosive atmospheres, such as in the presence of flammable liquids, gases, or dust. Power tools create sparks which may ignite the dust or fumes.
3. **Keep bystanders, children and visitors away while operating a power tool.** Distractions can cause you to lose control.
4. **Make your workshop childproof** with padlocks and master switches. Lock tools away when not in use.
5. **MAKE SURE the work area has ample lighting** so you can see the work and that there are no obstructions that will interfere with safe operation **BEFORE** using your saw.


### **PERSONAL SAFETY**

1. **KNOW your power tool.** Read the operator's manual carefully. Learn the saw's applications and limitations, as well as the specific potential hazards related to this tool.
2. **STAY ALERT,** watch what you are doing and use common sense when operating a power tool.
3. **DO NOT** use tool while tired or under the influence of drugs, alcohol or medication. A moment of inattention while operating power tools may result in serious personal injury.
4. **DRESS properly. DO NOT** wear loose clothing or jewelry. Pull back long hair. Keep your hair, clothing, and gloves away from moving parts. Air vents often cover moving parts and should also be avoided. Loose clothing, jewelry or long hair can be caught in moving parts.

**PERSONAL SAFETY cont.**

5. **AVOID** accidental starting. Be sure switch is in “OFF” position before plugging in. **DO NOT** carry tools with your finger on the switch. Carrying tools with your finger on the switch or plugging in tools that have the switch in the “ON” position invites accidents.
6. **REMOVE** adjusting keys or wrenches before turning the tool “ON”. A wrench that is left attached to a rotating part of the tool may result in personal injury.
7. **Do not overreach. Keep proper footing and balance at all times.** Proper footing and balance enables better control of the tool in unexpected situations.
8. **ALWAYS SECURE YOUR WORK.** Use clamps or a vise to hold work when practical. It is safer than using your hand and frees both hands to operate tool.
9. **USE SAFETY EQUIPMENT.** Always wear eye protection. Dust mask, non-skid safety shoes, hard hat, or hearing protection must be used for appropriate conditions.
10. **DO NOT USE ON A LADDER or unstable support.** Stable footing on a solid surface enables better control of the tool in unexpected situations.

**TOOL USE AND CARE SAFETY**

 **WARNING: BE SURE to read and understand all instructions before operating this saw. Failure to follow all instructions listed below may result in electric shock, fire and/or serious personal injury.**

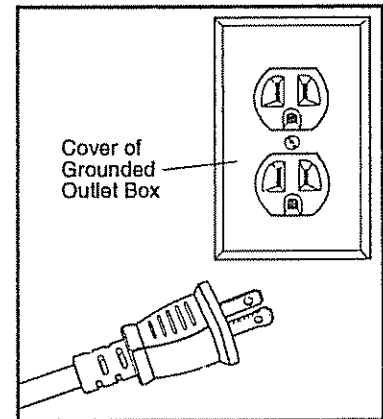
1. **ALWAYS use clamps or other practical ways to secure and support the workpiece to a stable platform.** Holding the work by hand or against your body is unstable and may lead to loss of control.
2. **DO NOT force the tool. Use the correct tool and blade for your application.** The correct tool and blade will do the job better and safer at the rate for which it is designed.
3. **DO NOT use the tool if switch does not turn it “On” or “Off”.** Any tool that cannot be controlled with the switch is dangerous and must be repaired.
4. **DISCONNECT the plug from the power source before making any adjustments, changing accessories or storing the tool.** Such preventive safety measures reduce the risk of starting the tool accidentally.
5. **NEVER leave the tool running. ALWAYS turn it off. DO NOT** leave the tool until it comes to a complete stop.
6. **STORE idle tools out of the reach of children and other untrained persons.** Tools are dangerous in the hands of untrained users.
7. **MAINTAIN tools with care. Keep cutting tools sharp and clean.** Properly maintained tools with sharp cutting edges are less likely to bind and are easier to control.
8. **CHECK for misalignment or binding of moving parts, breakage of parts, and any other condition that may affect the tool's operation. If damaged, have the tool serviced before using.** Many accidents are caused by poorly maintained tools.
9. **USE ONLY accessories that are recommended for this tool.** Accessories that may be suitable for one tool may become hazardous when used on another tool.

## SAFETY INSTRUCTIONS cont.

### ELECTRICAL SAFETY

**⚠ WARNING:** Do not permit fingers to touch the terminals of plug when installing or removing the plug from the outlet.

1. Double insulated tools are equipped with a polarized plug (one blade is wider than the other). This plug will fit in a polarized outlet only one way. If the plug does not fit fully in the outlet, reverse the plug. If it still does not fit, contact a **qualified electrician** to install a polarized outlet. Do not change the plug in any way.
2. Double insulation  eliminates the need for the three-wire grounded power cord and grounded power supply system. Applicable only to Class II (double-insulated) tools. **This circular saw is a double insulated tool.**




**⚠ WARNING:** Double insulation **DOES NOT** take the place of normal safety precautions when operating this tool.


3. **BEFORE** plugging in the tool, **BE SURE** that the outlet voltage supplied is within the voltage marked on the tool's data plate. **DO NOT** use "AC only" rated tools with a DC power supply.
4. **AVOID** body contact with grounded surfaces, such as pipes, radiators, ranges and refrigerators. There is an increased risk of electric shock if your body is grounded.
5. **DO NOT** expose power tools to rain or wet conditions or use power tools in wet or damp locations. Water entering a power tool will increase the risk of electric shock.
6. **INSPECT** tool cords for damage. Have damaged tool cords repaired at a Sears Service Center. **BE SURE** to stay constantly aware of the cord location and keep it well away from the moving blade.
7. **DO NOT** abuse the cord. **NEVER** use the cord to carry the tool by or pull the plug from the outlet. Keep cord away from heat, oil, sharp edges or moving parts. Replace damaged cords immediately. Damaged cords increase the risk of electric shock.

## SAFETY INSTRUCTIONS cont.

### EXTENSION CORDS


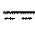


Use a proper extension cord. **ONLY** use cords listed by Underwriters Laboratories (UL). Other extension cords can cause a drop in line voltage, resulting in a loss of power and overheating of tool. For this tool an AWG (American Wire Gauge) size of at least 14-gauge is recommended for an extension cord of 25-ft. or less in length. Use 12-gauge for an extension cord of 50-ft. **Extension cords 100-ft. or longer are not recommended.** Remember, a smaller wire gauge size has greater capacity than a larger number (14-gauge wire has more capacity than 16-gauge wire; 12-gauge wire has more capacity than 14-gauge). When in doubt use the smaller number. When operating a power tool outdoors, use an outdoor extension cord marked "W-A" or "W". These cords are rated for outdoor use and reduce the risk of electric shock.

 **CAUTION:** Keep the extension cord clear of the working area. Position the cord so that it will not get caught on lumber, tools or other obstructions while you are working with a power tool.

 **WARNING:** Check extension cords before each use. If damaged replace immediately. Never use tool with a damaged cord since touching the damaged area could cause electrical shock, resulting in serious injury.

### SAFETY SYMBOLS FOR YOUR TOOL

The label on your tool may include the following symbols.

V	Volts
A	Amps
Hz	Hertz
W	Watts
min	Minutes
	Alternating current
	Direct current
n <sub>o</sub>	No-load speed
	Class II construction, Double Insulated
/min	Revolutions or Strokes per minute
	Indicates danger, warning or caution It means attention! Your safety is involved.

### SERVICE SAFETY

1. If any part of this saw is missing or should break, bend, or fail in any way; or should any electrical component fail to perform properly: **SHUT OFF** the power switch and remove the saw plug from the power source and have the missing, damaged or failed parts replaced **BEFORE** resuming operation.
2. Tool service must be performed only at a Sears Parts and Repair Center. Service or maintenance performed by unqualified personnel could result in a risk of injury.
3. When servicing a tool, use only identical replacement parts. Follow instructions in the maintenance section of this manual. Use of unauthorized parts or failure to follow maintenance instructions may create a risk of electric shock or injury.

## **SAFETY INSTRUCTIONS cont.**

### **SAFETY RULES FOR CIRCULAR SAWS**

**⚠ DANGER:** Keep hands away from cutting area and blade. Keep your second hand on the auxiliary handle or motor housing. If both hands are holding the saw, the blade cannot cut them.

**⚠ CAUTION:** Blades coast after saw is switched off.

1. **KEEP** your body positioned to either side of the saw blade and not in direct line with the saw blade. Kickback could cause the saw to jump backwards. (See "Kickback... What Causes It and Ways to Prevent It" on pages 18 and 19).
2. **DO NOT** reach underneath the work. The guard cannot protect you from the blade beneath the workpiece.


**⚠ DANGER:** When sawing through a workpiece, the lower blade guard **DOES NOT** cover the blade on the underside of the workpiece (Pg. 17 Fig. 4). **ALWAYS** keep your hands and fingers away from the cutting area.

3. **CHECK** lower guard for proper closing **BEFORE** each use. **DO NOT** operate the saw if the lower guard does not move freely and close instantly. Never clamp or tie the lower guard in the open position. If the saw is accidentally dropped, the lower guard may be bent. Raise the lower guard with the retracting lever. The guard is operating properly when it moves freely, does not touch the blade or any other part in all angles and depths of cut, and readily returns to the closed position.
4. **CHECK** the operation and condition of the lower guard spring. If the guard and the spring are not operating properly, they **MUST BE serviced before use**. The lower guard may operate sluggishly, due to damaged parts, gummy deposits, or a buildup of debris. **DO NOT** operate your saw until the damage has been repaired or replaced.
5. The lower guard should be retracted manually **ONLY** for making special cuts, such as pocket or compound cuts. **ALWAYS** raise the lower guard by retracting its lever. As soon as the blade enters the material, the lower guard **MUST** be released. For all other sawing, the lower guard should operate automatically.
6. **ALWAYS** make sure that the lower guard is covering the blade **BEFORE** placing the saw down on a work bench or floor. An unprotected moving blade will cause the saw to walk backwards, cutting whatever is in its path. Make note of the time it takes for the blade to stop spinning after the switch is released.
7. **NEVER** hold the piece being cut in your hands or across your legs. It is important to support the workpiece properly in order to minimize body exposure, blade binding, or loss of control.
8. **HOLD TOOL** by insulated gripping surfaces (handles) when performing an operation where the cutting tool may contact hidden wiring or its own cord. Contact with a "live" wire will make the exposed metal parts of the tool "live" and shock the operator.
9. **ALWAYS** clamp the workpiece securely so it will not move when making the cut.
10. When ripping, **ALWAYS USE** a rip fence or straight edge guide. This improves the accuracy of the cut and reduces the chance of the blade binding.
11. **ALWAYS USE** blades that have the correct size and shape (diamond vs. round) arbor holes. Blades that do not match the mounting hardware of the saw will run erratically and cause loss of control.

## SAFETY INSTRUCTIONS cont.

### SAFETY RULES FOR CIRCULAR SAWS cont.

12. **NEVER** use damaged or incorrect blade washers or bolts. The blade washers and bolts were specially designed for your saw, for optimum performance and safety of operation
13. **NEVER** cut more than one piece at a time. **DO NOT STACK** more than one workpiece on the worktable at a time.
14. **AVOID** awkward operations and hand positions where a sudden slip could cause your hand to move into the blade.
15. **NEVER** reach into the cutting path of the blade.

 **WARNING:** Use of this product can generate dust containing chemicals known to cause cancer, birth defects or other reproductive harm. Some examples of these chemicals are:


- Lead from lead-based paints.
- Crystalline silica from bricks and cement and other masonry products.
- Arsenic and chromium, from chemically treated lumber.

Your risk from these exposures varies, depending upon how often you do this type of work. To reduce your exposure to these chemicals:


- Work in a well-ventilated area.
- Work with approved safety equipment, such as those dust masks that are specially designed to filter out microscopic particles.

**Avoid prolonged contact with dust from power sanding, sawing, grinding, drilling and other construction activities. Wear protective clothing and wash exposed areas with soap and water.**

Allowing dust to get into your mouth, eyes, or lay on the skin may promote absorption of harmful chemicals.

 **WARNING:** Use of this tool can generate and/or disburse dust, which may cause serious and permanent respiratory or other injury. Always use NIOSH/OSHA approved respiratory protection appropriate for the dust exposure. Direct particles away from face and body.

### ADDITIONAL RULES FOR SAFE OPERATION

 **WARNING:** **BE SURE** to read and understand all instructions. Failure to follow all instructions listed below may result in electric shock, fire and/or serious personal injury.

- 1 **Know your power tool.** Read operator's manual **carefully.** Learn the applications and limitations, as well as the specific potential hazards related to this tool. Following this rule will reduce the risk of electric shock, fire or serious injury.
- 2 **ALWAYS** wear safety glasses or eye shields when using this saw. Everyday eyeglasses have only impact-resistant lenses; they are **NOT** safety glasses.
- 3 **PROTECT** your lungs. Wear a face mask or dust mask if the operation is dusty.

## **SAFETY INSTRUCTIONS cont.**

### **ADDITIONAL RULES FOR SAFE OPERATION cont.**

4. **PROTECT your hearing.** Wear appropriate personal hearing protection during use. Under some conditions and duration of use, noise from this product may contribute to hearing loss.
5. **ALL VISTORS AND BYSTANDERS MUST** wear the same safety equipment that the operator of the saw wears.
6. **INSPECT the tool cords periodically and if damaged have them repaired at your nearest Sears Service Center or other Authorized Service Facility. BE AWARE of the cord location.**
7. **ALWAYS check the tool for damaged parts.** Before further use of the tool, a guard or other part that is damaged should be carefully checked to determine if it will operate properly and perform its intended function. Check for misalignment or binding of moving parts, breakage of parts, and any other condition that may affect the tool's operation. A guard or other part that is damaged should be properly repaired or replaced at a Sears Service center.
8. **INSPECT and remove all nails from lumber before sawing.**
9. **SAVE THESE INSTRUCTIONS.** Refer to them frequently and use them to instruct others who may use this tool. If someone borrows this tool, make sure they have these instructions also.

## **GLOSSARY OF TERMS FOR WOODWORKING**

### **Spindle**

The shaft on which a blade or cutting tool is mounted. Also called the Arbor.

### **Revolutions Per Minute (RPM)**

The number of turns completed by a spinning object in one minute.

### **Saw Blade Path**

The area over, under, behind or in front of the blade, as it applies to the workpiece. That area which will be or has been cut by the blade.

### **Set**

The distance that the saw blade tooth is bent (or set) outward from the face of the blade.

### **Miter Cut**

A cutting operation made with the blade at any angle other than 90° to the fence.

### **Compound Miter Cut**

A compound miter cut is a cut made using a miter angle and a bevel angle at the same time.

### **Cross cut**

A cutting or shaping operation made against the grain of the workpiece.

### **Bevel Cut**

A cutting operation made with the blade at any angle other than 90° to the miter table.

### **Dado Cut**

A non-through cut which produces a square-sided notch or trough in the workpiece (requires special blade).

### **Chamfer Cut**

A cut removing a wedge from a block of wood so the end (or part of the end) is angled at other than 90°.

## GLOSSARY OF TERMS FOR WOODWORKING

### Ripping or Rip Cut

A cutting operation along the length of the workpiece.

### Freehand Cut

Performing a cut without using a fence, miter gauge, fixture, work clamp, or other proper device to keep the workpiece from twisting or moving during the cut.

### Through Sawing

Any cutting operation where the blade extends completely through the thickness of the workpiece.

### Non-Through Cuts

Any cutting operation where the blade does not extend completely through the thickness of the workpiece, like a dado cut.

### Leading End

The end of the workpiece pushed into tool first.

### Kerf

The material removed by the blade in a through cut or the slot produced by the blade in a non-through or partial cut.

### Kickback

A hazard that can occur when the blade binds or stalls, throwing the workpiece back toward operator.

### Workpiece or Material

The item on which the cutting operation is being done. The surfaces of a workpiece are commonly referred to as faces, ends and edges.

### Gum

A sticky, sap-based residue from wood products.

### Resin

A sticky, sap-based substance that has hardened.

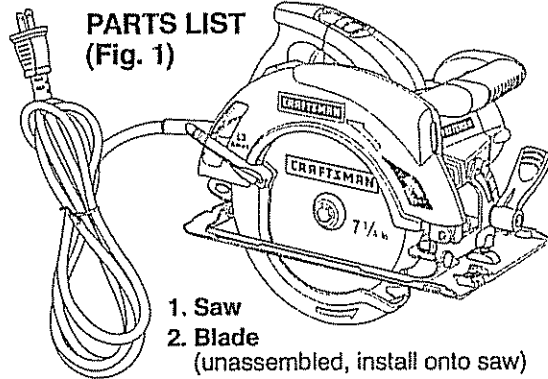
## UNPACKING

**⚠ WARNING: Your saw should NEVER be connected to the power source when you are assembling parts, making adjustments, installing or removing blades, cleaning or when it is not in use. Disconnecting the saw will prevent accidental starting, which could cause serious personal injury.**

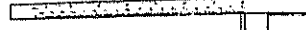
1. Included with your circular saw is the cutting blade (unassembled) packed separately. Also a blade wrench stored in the base, for use installing or changing the blade, an edge guide and a pair of Laser enhancing safety glasses used to enhance the laser beam in bright light conditions.
2. Inspect the saw carefully to make sure that no breakage or damage has occurred during shipping. If any of the items mentioned are missing (refer to PARTS LIST illustration see Fig. 1 page 13), return the saw to your nearest Sears store or Craftsman outlet to have the saw replaced.

**⚠ WARNING: If any parts are broken or missing, DO NOT attempt to plug in the power cord or operate saw until the broken or missing parts are replaced. Failure to do so could result in possible serious injury.**

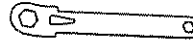
## UNPACKING cont.



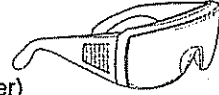
### 3. Edge Guide



### 4. Blade Wrench (for changing the blade)



### 5. Laser Enhancing Safety Glasses (for enhancing laser)



### 6. Operator's Manual

## ASSEMBLY

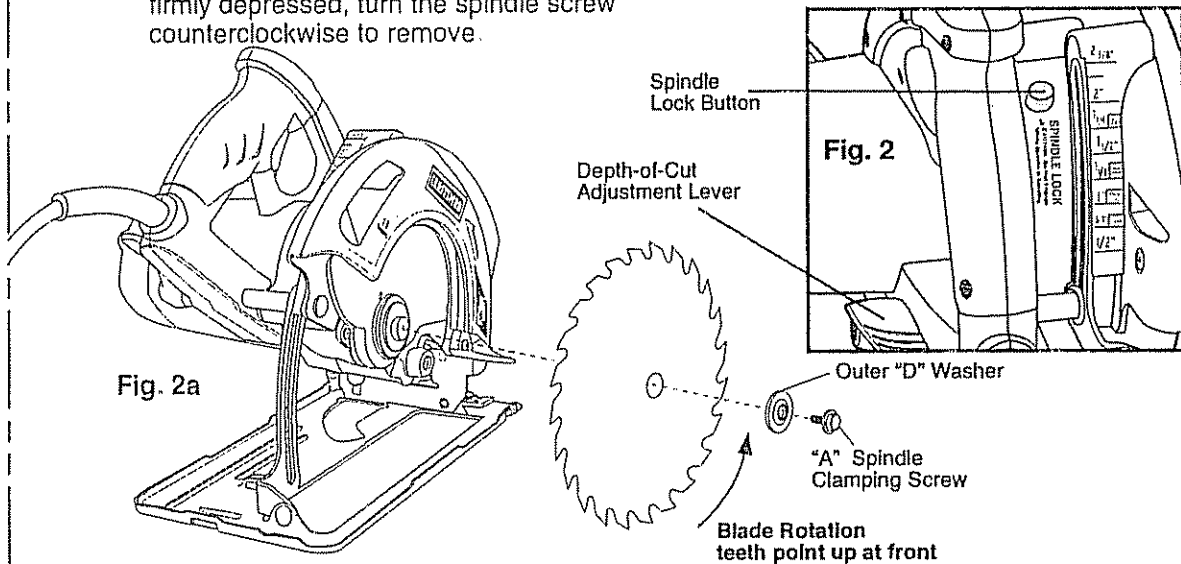
### INSTALLING THE BLADE (Figs. 2 and 2a)

Carefully remove the blade from its packing, inspect it to be sure that it is not cracked or damaged.

1. Saw should not be plugged into power source.


**⚠ WARNING:** To prevent personal injury, ALWAYS disconnect the plug from power source BEFORE assembling parts, making adjustments or installing blades.


2. Place saw on its side on a flat surface.
3. To loosen the depth-of-cut adjustment lever, raise the saw up all the way and tighten lever. This gives you easier access to blade mounting area (see Fig. 2a).
4. Place saw upright, on its base and on a flat surface (see Fig. 2a).
5. To loosen the spindle clamping screw "A", depress the spindle lock button (see Fig. 2). Place the blade wrench on the spindle clamping screw "A". Move the wrench back and forth until you feel the spindle lock button depress further and it locks the blade in position so the spindle clamping screw can be removed. Keeping the spindle lock button firmly depressed, turn the spindle screw counterclockwise to remove.



## ASSEMBLY cont.

### INSTALLING THE BLADE cont. (Figs. 2 and 2a)

 **WARNING:** BE SURE to wear protective work gloves while handling a saw blade. The blade can injure unprotected hands.

 **WARNING:** A 7 1/4-inch blade is the maximum blade capacity of your saw. A larger than 7 1/4-inch blade will come in contact with the blade guards. Also, NEVER use a blade that is so thick that it prevents the outer blade washer from engaging with the flat side of the spindle. Blades that are too large or too thick can result in an accident causing serious injury.

6. Completely remove the spindle clamping screw "A" and the outer "D" washer (see Fig. 2a).
7. The remaining washer is the inner bushing washer that fits around the spindle shaft and it does not need to be removed.
8. Put a drop of oil onto the inner bushing washer and outer "D" washer where they will touch the blade.
9. Raise lower blade guard using the blade guard lever and hold it in the raised position for the next step.
10. Place the saw blade inside the lower blade guard, onto the spindle shaft and against the inner bushing.

**NOTE:** The teeth of the blade should point upward at the front of the saw as shown in (Fig. 2a).

11. Replace the "D" washer.
12. Firmly hold down spindle lock button as you replace the spindle screw and hand tighten it in a clockwise direction. Then use blade wrench to tighten the spindle clamping screw thoroughly.

**NOTE:** NEVER use a blade that is too thick to allow the "D" washer to engage with the flat side of the spindle.

### REMOVING THE BLADE (Figs. 2 and 2a)

1. Unplug the saw.
2. Follow steps 2. through 6. of "INSTALLING THE BLADE" and remove the blade (see Fig. 2a).

## DESCRIPTION

### KNOW YOUR CIRCULAR SAW (Fig. 3)

**NOTE:** Before attempting to use your saw, familiarize yourself with all of the operating features and safety requirements.

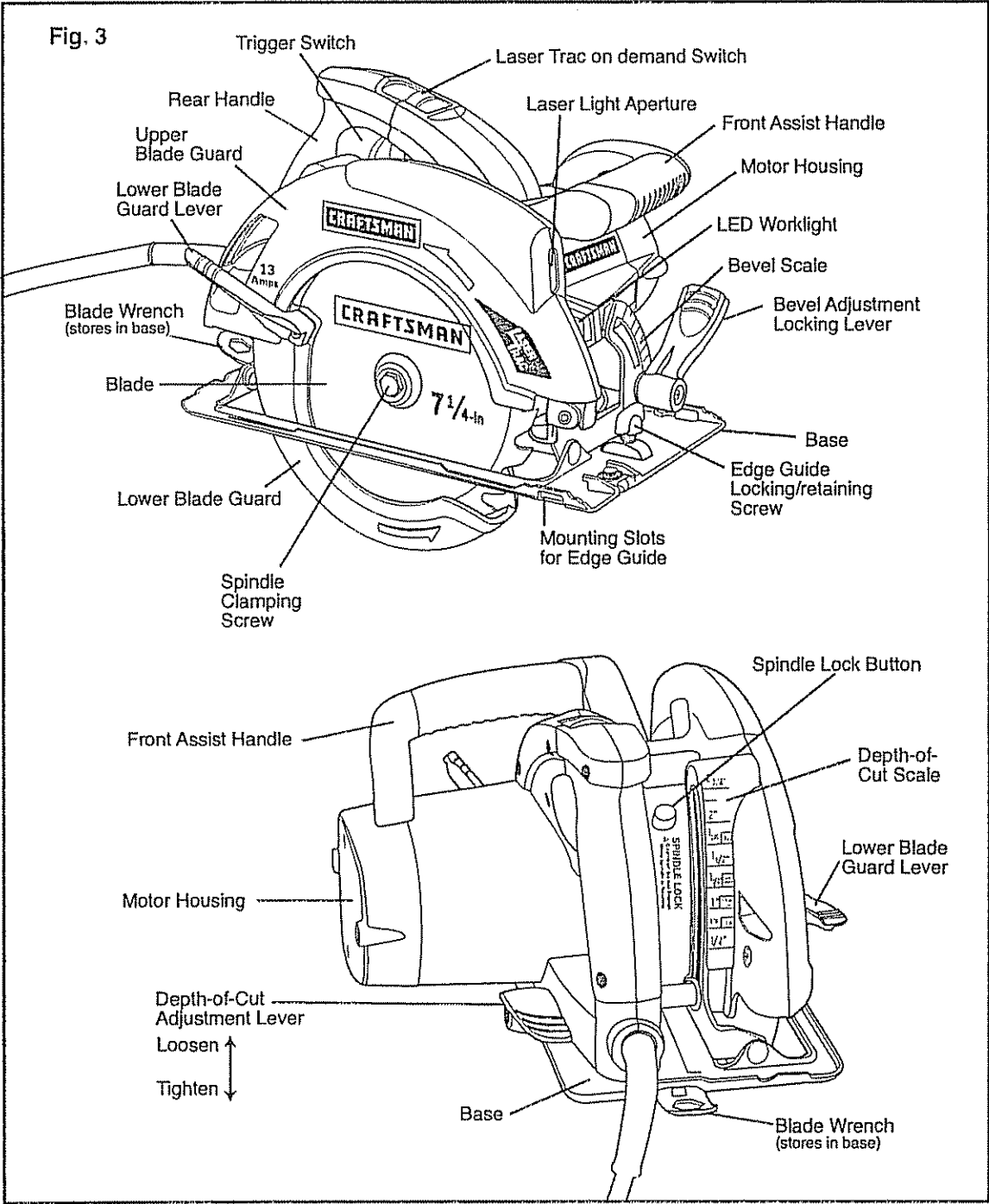
Your circular saw has a precision-built electric motor and it should only be connected to a 120-volt, 60-Hz AC ONLY power supply (normal household current). **DO NOT** operate on direct current (DC). This large voltage drop will cause a loss of power and the motor will overheat. If the saw does not operate when plugged into correct 120-volt, 60-Hz AC ONLY outlet, check the power supply. The saw has an 8-ft., 2-wire power cord (no adapter needed).

#### **This Circular Saw has the following features:**

1. **13 Amp, 5000 RPM (no-load speed) motor** provides the power and torque for fast, sure cuts in wood, plywood, hardboard and wood-base materials.
2. **Laser Trac™** The unique, innovative feature for accurate, efficient cutting!
3. **LED WORKLIGHT** illuminates cutting area for easy visibility. This light stays "On" when saw is plugged into power source.
4. **Quick depth-of-cut adjustments** with a maximum depth of cut:  
2 3/8-in. thick at 90; 1 13/16-in. thick at 45°
5. **Easy to read bevel cut scale** adjusts from 0° to 52° bevel capacity.
6. **Die-cast aluminum blade guards** for extra strength and durability.
7. **Extended length, trigger switch** for maximum control and comfort. Squeeze for power "ON", release for power "OFF".
8. **Large stamped Steel Base** provides a stable work surface for better saw control.
9. **Soft-grip ergonomically designed contoured rear handle and front assist handle** for positive gripping, control, balance and comfort.
10. **Includes Craftsman® 24 tooth carbide-tipped steel general purpose blade.**
11. **Top mounted blade spindle lock** for easy blade changes.
12. **Includes edge guide** to help produce accurate cuts.
13. **Sawdust ejection chute** helps direct dust and chips away from operator.
14. **Permanently lubricated 100% ball bearings** for smooth operation and long life.
15. **Durable machined gearing** for efficient power transmission.

**DESCRIPTION cont.**

This Circular Saw has the following features cont.



## DESCRIPTION cont.

PRODUCT SPECIFICATIONS	
Input	13 Amps
Rating	120V, 60HZ AC
No Load Speed	5000 RPM
Blade Diameter	7 <sup>1</sup> / <sub>4</sub> -in. (184mm)
Cutting Depth at 90°	2 <sup>3</sup> / <sub>8</sub> -in. (60.33mm)
Cutting Depth at 45°	1 <sup>13</sup> / <sub>16</sub> -in. (46.03mm)
Maximum Bevel Angle	52°

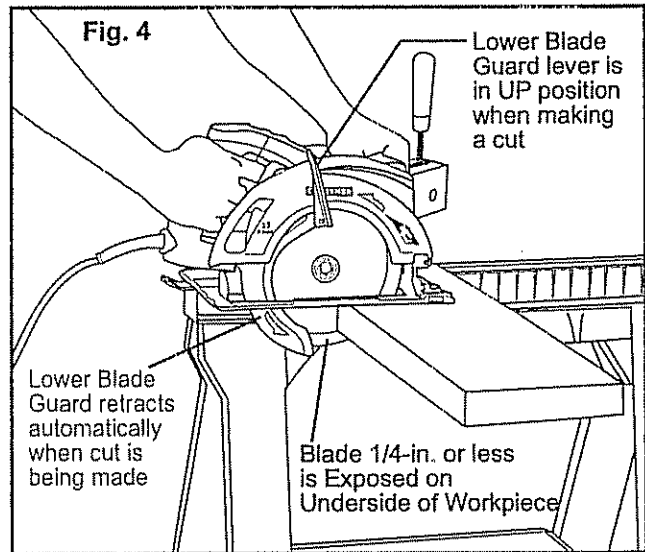
## OPERATION

### SAW BLADES

All saw blades need to be kept clean, sharp and properly set in order to cut efficiently. Using a dull blade places a heavy load on the saw and increases the danger of kickback. Keep extra blades on hand, so sharp blades are always available. Gum and wood pitch hardened on the blade slows the saw down. Use gum and pitch remover, hot water or kerosene to remove them. **DO NOT** use gasoline.

### BLADE GUARD SYSTEM (Fig. 4)

The lower blade guard, attached to your circular saw, is there for your protection and safety. It should **NEVER** be altered for any reason. If it becomes damaged or begins to return slowly or sluggishly, **DO NOT** operate your saw until the damage has been repaired or replaced. **ALWAYS** leave the guard in its correct operating position when using the saw.

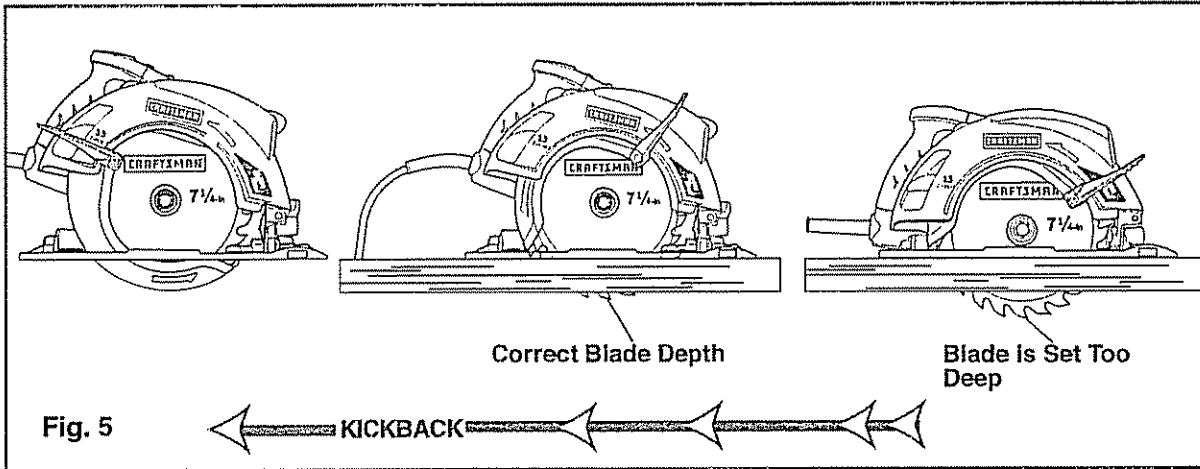


**⚠ CAUTION:** NEVER use the saw when the guard is not operating properly. The guard should be checked for correct operation before each use. If you drop your saw, check the lower blade guard and bumper for damage at all depth settings before using. **NOTE:** The guard is operating properly when it moves freely and then readily returns to the closed position. If for any reason your lower blade guard and bumper does not close freely, take the saw to your nearest Sears Repair Center for service before using it.

## OPERATION cont.

### KICKBACK...WHAT CAUSES IT AND WAYS TO HELP PREVENT IT (Fig. 5)

#### The Causes of Kickback



1. Kickback is a sudden reaction to a pinched, bound or misaligned saw blade, which causes an uncontrolled saw to lift up and out of the workpiece and toward the operator.
2. When the blade is pinched or bound tightly by the kerf closing down, the blade stalls and the motor reaction drives the unit rapidly back towards the operator.
3. If the blade becomes twisted or misaligned in the cut, the teeth at the back edge of the blade can dig into the top surface of the wood. This causes the blade to climb out of the kerf and jump back towards the operator.
4. Sawing into knots or nails in the workpiece can cause Kickback
5. Sawing into wet or warped lumber can cause Kickback. (see Fig. 6a)
6. Forcing a cut, or not supporting the workpiece correctly can cause Kickback. (see Fig. 6a)
7. Kickback is a result of tool misuse and/or incorrect operating procedures or conditions. It can be avoided by taking the proper precautions, on page 19.

Fig. 6

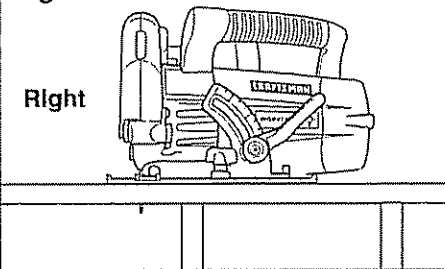
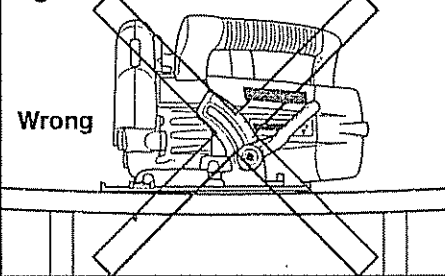


Fig. 6a

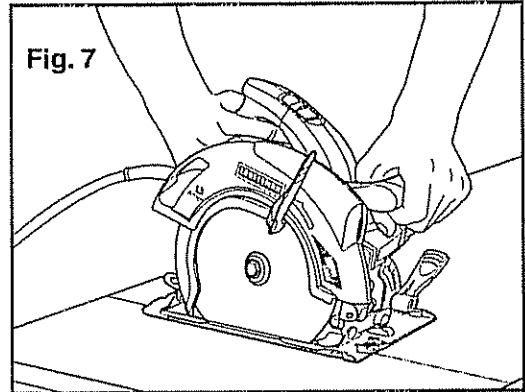


## OPERATION cont.

### Ways to Help Prevent Kickback

**⚠ DANGER:** ALWAYS release trigger switch immediately if the blade binds or the saw stalls. Kickback could cause you to lose control of the saw. Loss of control can lead to serious injury.

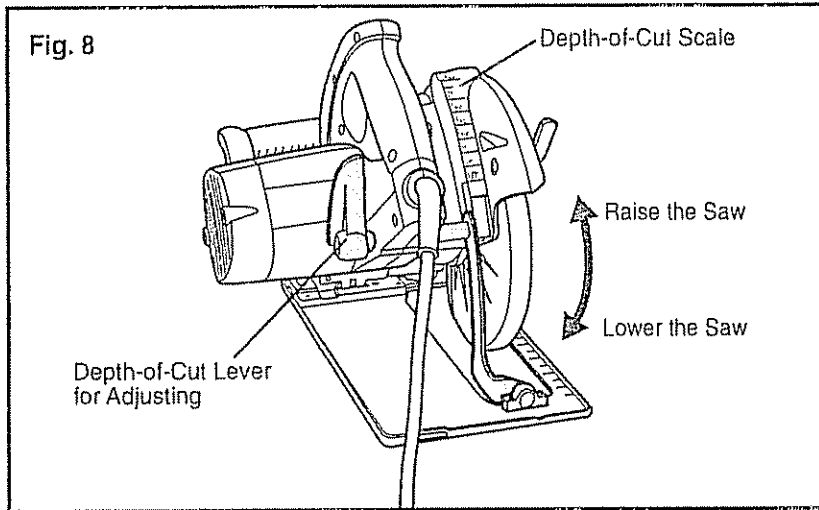
- 1 **ALWAYS** maintain a firm grip with both (see Fig. 7) hands on the saw and position your body and arms to allow you to resist Kickback forces. Kickback forces can be controlled by the operator, if the proper precautions are taken
- 2 If the blade is binding, or when you are interrupting a cut for any reason, **ALWAYS** release the trigger and hold the saw motionless in the material until the blade comes to a complete stop **NEVER** attempt to remove the saw from the work or pull the saw backward while the blade is in motion, or Kickback may occur. **CHECK** and take corrective action to eliminate the cause of blade binding.
- 3 Inspect the workpiece for knots or nails before cutting. Never saw into a knot or nail.
- 4 **DO NOT** cut warped or wet lumber. (see Fig. 6a)
- 5 **ALWAYS** support large panels to minimize the risk of blade pinching and Kickback. Large panels tend to sag under their own weight (see Fig. 6a). Supports **MUST** be placed under the panel, one near the line of cut and one near the edge of the panel (see Fig. 6).
- 6 When restarting the saw in the workpiece, **CENTER** the blade in the kerf and check to be sure that the saw teeth are not engaged into the material. If the saw blade is binding, it may walk up or Kickback from the workpiece when the saw is restarted.
- 7 **DO NOT** use a dull or damaged blade. Unsharpened, improperly set, or gummed-up blades produce narrow kerf which causes excessive friction, blade binding and Kickback.
- 8 **KEEP** the blade at the correct depth setting. The depth setting should not exceed 1/4-inch below the material being cut (see Fig. 5). **BE SURE** that the blade depth and adjusting locking levers are tight and secure **BEFORE** making a cut. If blade adjustment shifts while cutting it may cause binding and Kickback.
- 9 **USE EXTRA CAUTION** when making a "Pocket Cut" into existing walls or other blind areas. The protruding blade may cut objects that can cause Kickback.



## OPERATION cont.

### MAKING DEPTH-OF-CUT ADJUSTMENTS (Fig. 8)

**ALWAYS** use the correct blade depth setting. The correct blade depth setting for all cuts should not be more than 1/4-inch below the material being cut (see Fig 5). Allowing more depth will increase the chance of kickback and cause the cut to be rough. Your saw is equipped with a depth-of-cut scale that provides increased depth-of-cut accuracy. The depth-of-cut scale is located on the inside back of the upper blade guard.

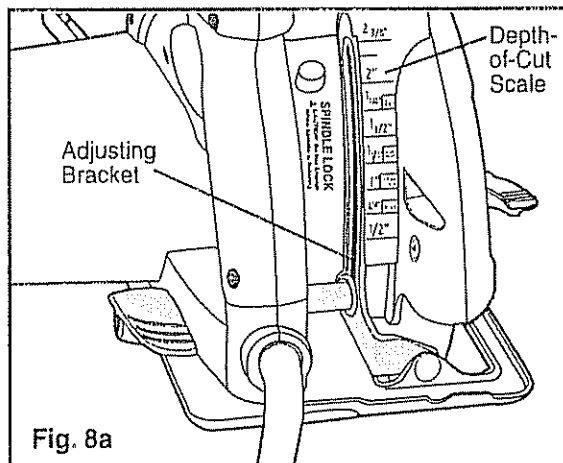


### TO SET THE BLADE DEPTH (Fig. 8a)

- 1 Unplug the saw.

**⚠ WARNING:** ALWAYS unplug saw before making any adjustments. Failure to unplug the saw could result in accidental starting which can cause serious personal injury.

2. Raise the depth-of-cut adjustment lever to loosen the base (see Fig. 8).
3. Determine the desired depth of cut.
4. Locate the depth-of-cut scale on the back of the upper blade guard (see Fig. 8a).
5. Hold the base of the saw flat against the edge of the workpiece and then raise or lower the saw until the indicator mark on the bracket aligns with the notch on the blade guard at the desired depth-of-cut mark.
6. Tighten depth-of-cut adjustment lever



## OPERATION cont.

### USING THE LASER TRAC™ LASER LIGHT FEATURE (Fig. 9)

**⚠ WARNING:** LASER LIGHT. LASER RADIATION. Avoid Direct Eye Exposure. DO NOT stare into beam. Only turn laser beam on when the saw is on the workpiece. Class IIIa laser.

**NOTE:** Your circular saw has a built-in laser light. To activate laser light switch, saw must be plugged into power source.

1. DO NOT turn the laser beam on until the saw is on the workpiece
2. Mark the line of cut on the workpiece
3. Adjust the cutting angle and cutting depth as needed.
4. Plug in the saw and push the laser switch forward to turn on the laser.
5. Align laser beam with line-of-cut (see Fig. 9)
6. Squeeze the trigger switch and slowly push the saw forward using both hands. Keep the red laser beam on the line-of-cut.
7. Always shut off the laser light when you are finished cutting.

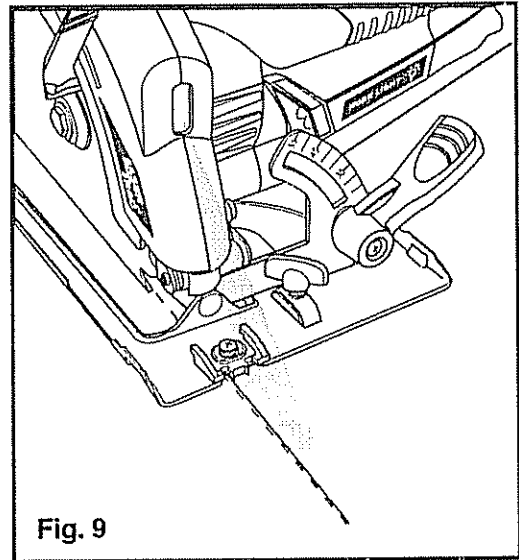


Fig. 9

**⚠ CAUTION:** The laser enhancing safety glasses that were included will enhance the laser light in bright light conditions. DO NOT wear these glasses if they interfere with the safe operation of this saw.

### LED WORKLIGHT

Your circular saw has a built-in worklight for better visibility when cutting. This light is always "ON" when saw is plugged into power source.

## OPERATION cont.

### STARTING A CUT (Fig. 10)

**⚠ WARNING:** ALWAYS clamp and support workpiece securely. ALWAYS maintain proper control of saw. Failure to clamp and support workpiece and loss of control of saw could result in serious injury.

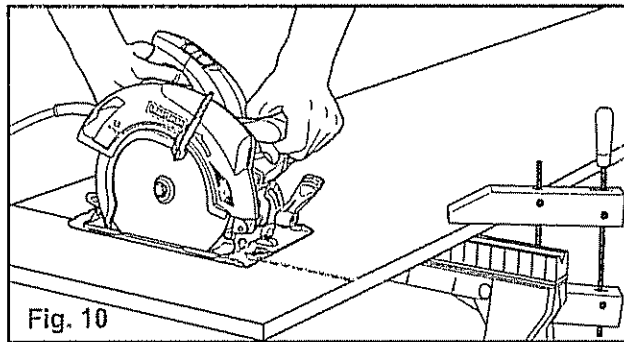
1. ALWAYS use your saw with your hands positioned correctly, with one hand operating the trigger switch and the other on the front assist handle (see Fig. 10).

**⚠ WARNING:** ALWAYS maintain proper control of the saw to make sawing safer and easier. Loss of control of the saw could cause an accident resulting in possible serious injury.

2. NEVER use the saw with your hands positioned as shown in Fig. 11

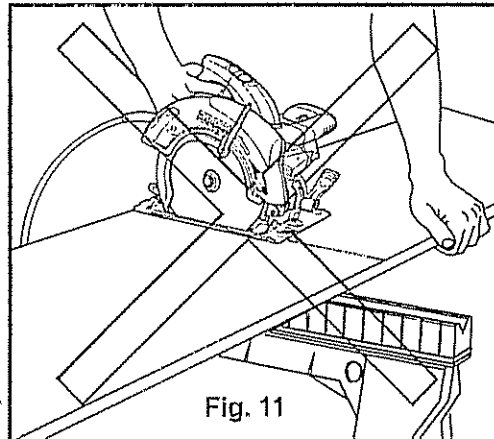
#### To Help Maintain Control:

3. ALWAYS support the workpiece near the cut.
4. ALWAYS support the workpiece so the cut will be on your right.
5. ALWAYS clamp the workpiece so it will not move during the cut. Place the workpiece with the good side down.



**NOTE:** The good side of the workpiece is the side where appearance is important.

6. Before starting a cut, draw a guideline along the desired line of cut, then place the front edge of the saw base on that part of the workpiece that is solidly supported (see Fig 10)
7. NEVER place the saw on the part of the workpiece that will fall off when the cut is made (see Fig. 11).
8. ALWAYS keep the cord away from the cutting area. ALWAYS place the cord so it does not hang up on the workpiece when making a cut.
9. Hold the saw firmly with both hands (see Fig 10).



**⚠ WARNING:** If the cord hangs up on the workpiece during a cut, release the trigger switch immediately. To avoid injury, unplug the saw and move the cord to prevent it from hanging up again.

**⚠ DANGER:** Using the saw with a damaged cord could result in serious injury or death. If the cord has been damaged, have it replaced before using the saw again.

## OPERATION cont.

### TO HELP MAINTAIN CONTROL cont.:

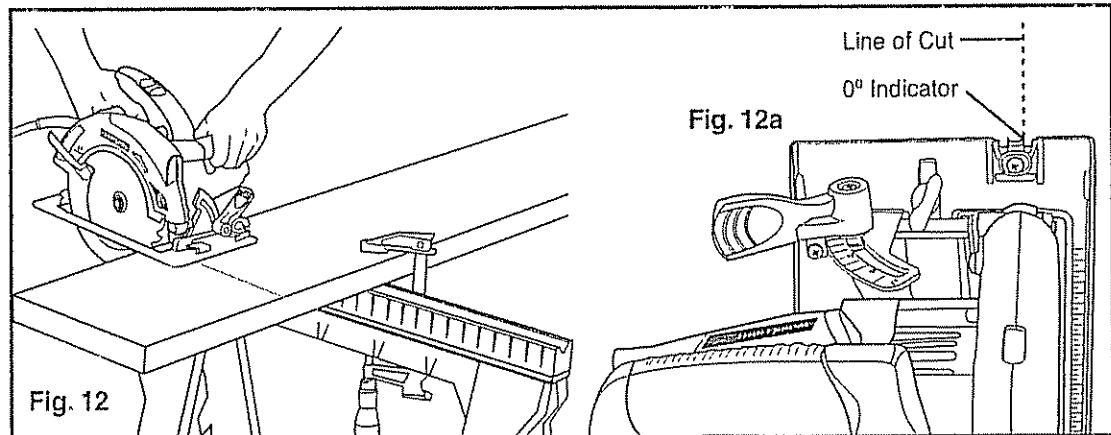
10. Squeeze the trigger switch to start the saw. **ALWAYS** let the blade reach full speed before you begin the cut into the workpiece.
11. When making a cut, **ALWAYS** use steady, even pressure. Forcing the saw causes rough cuts and could shorten the life of the saw or cause Kickback.
12. After completing your cut, release the trigger switch and allow the blade to come to a complete stop. **DO NOT** remove the saw from the workpiece while the blade is moving.

**⚠ DANGER:** When sawing through a workpiece, the lower blade guard **DOES NOT** cover the blade on the underside of the workpiece (see Fig. 4, page 17). **ALWAYS** keep your hands and fingers away from the cutting area. Any part of your body coming in contact with the moving blade will result in serious injury.

### MAKING CROSS CUTS AND RIP CUTS (Figs. 12 and 12a)

**⚠ WARNING:** **ALWAYS** clamp and support workpiece securely. **ALWAYS** maintain proper control of saw. Failure to clamp and support workpiece and loss of control of saw could result in serious injury.

1. **ALWAYS** use your saw with your hands positioned correctly (see Fig. 12).



**⚠ WARNING:** **ALWAYS** maintain proper control of the saw to make sawing safer and easier. Loss of control of the saw could cause an accident resulting in possible serious injury.

2. When making cross or rip cuts, align your line of cut with the right side of the notch by the 0° indicator (see Fig. 12a).
3. Since the thickness of blades varies, **MAKE A TRIAL CUT** in scrap material along the guideline to determine how much, if any, you should offset the blade from the guideline to allow for the kerf of the blade to get an accurate cut.

## OPERATION cont.

### MAKING RIP CUTS

**ALWAYS** use a guide when making long or wide rip cuts with your saw. You can use either a straight edge or use the edge guide that was included with your saw.

#### USING A STRAIGHT EDGE (Fig. 13)

**⚠ WARNING:** ALWAYS clamp and support workpiece securely. ALWAYS maintain proper control of saw. Failure to clamp and support workpiece combined with loss of control of saw could result in serious injury.

1. You can make an efficient rip guide by clamping a straight edge to your workpiece.
2. Carefully guide the saw along the straight edge for a straight rip cut (see Fig. 13).
3. **ALWAYS LET THE BLADE REACH FULL SPEED**, then carefully guide the saw into the workpiece. **DO NOT bind the blade in the cut.** Push the saw forward at a speed where the blade is not laboring.

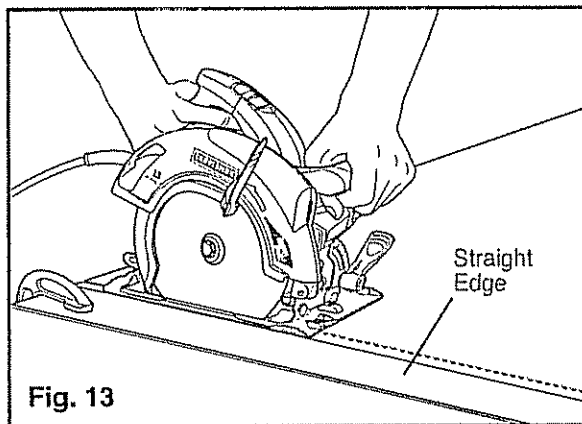


Fig. 13

#### INSTALLING AND USING THE EDGE GUIDE (Figs. 14 and 14a)

Your saw comes with an edge guide that is 7 1/2-inches long on the guide edge. It allows you to make accurate parallel cuts when trimming a workpiece. It attaches to the saw's base. The arm of the edge guide is stamped 0 to 7 inches in 1/8-inch increments and 18 centimeters in 1-mm increments for easy adjustment of your cut.

1. Unplug the saw

**⚠ WARNING:** ALWAYS unplug saw before making any adjustments. Failure to unplug the saw could result in accidental starting which can cause serious personal injury.

2. Position the edge guide so the arm with the inch increments is facing "up". Slide the arm of the edge guide into the mounting slots at the front of the saw's base (see Fig. 14).
3. Adjust the edge guide to the desired length of cut.
4. Tighten the edge guide retaining screw.
5. Clamp and support the workpiece securely before making your cut.

## OPERATION cont.

### INSTALLING AND USING THE EDGE GUIDE cont.

6. Place the edge guide firmly against the edge of the workpiece (See Fig. 14a). Doing this will give you a true cut without pinching the blade.
7. **BE SURE** that the guiding edge of the workpiece is straight so you can get a straight cut.
8. **ALWAYS LET THE BLADE REACH FULL SPEED**, then carefully guide the saw into the workpiece. **DO NOT** bind the blade in the cut. Push the saw forward at a speed where the blade is not laboring

Fig. 14

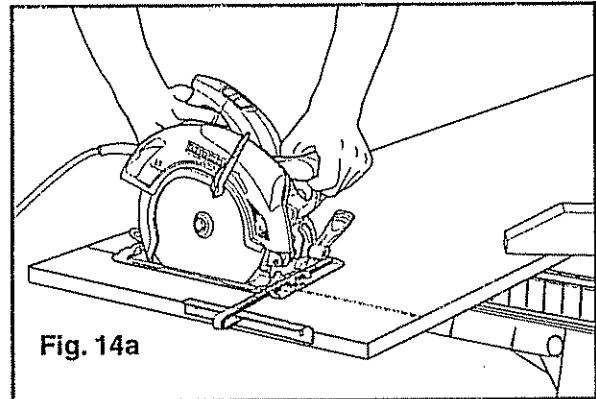
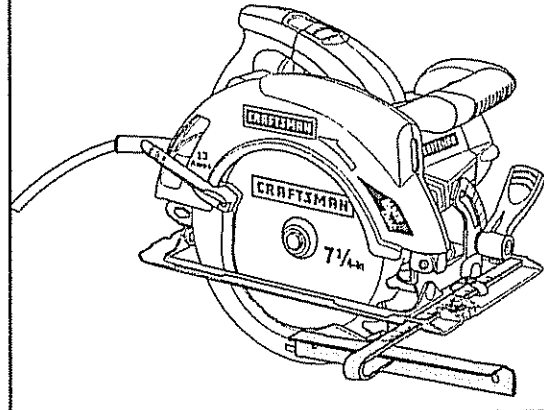


Fig. 14a

### HOW TO SET YOUR BEVEL ANGLE (Fig. 15)

1. Unplug the saw.

**⚠ WARNING:** ALWAYS unplug saw before making any adjustments. Failure to unplug the saw could result in accidental starting which can cause serious personal injury.

2. Loosen bevel adjustment lever (see Fig 15).
3. Raise the motor housing end of the saw until you reach the desired angle setting on the bevel scale.
4. Tighten the adjustment lever securely.

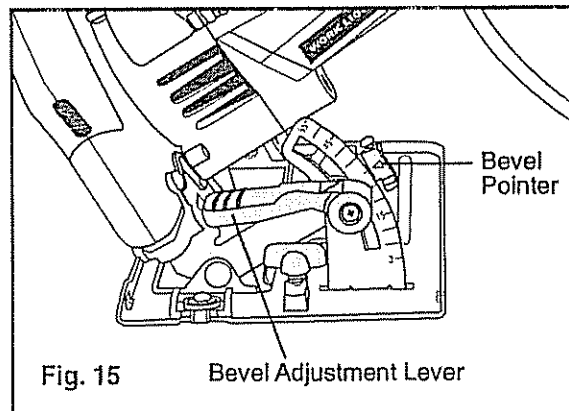
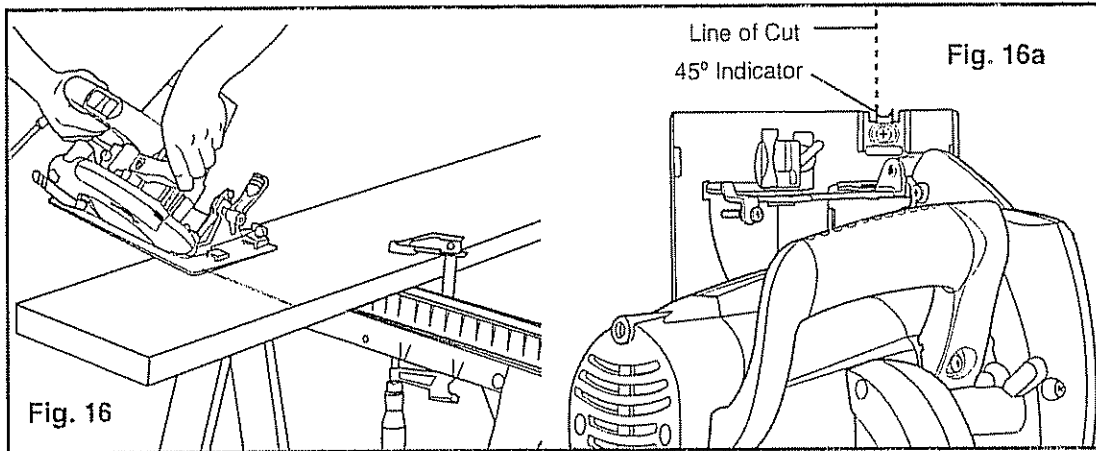


Fig. 15

## OPERATION cont.

### MAKING BEVEL CUTS (Figs. 16 and 16a)



**⚠ WARNING:** ALWAYS clamp and support workpiece securely. ALWAYS maintain proper control of saw. Failure to clamp and support workpiece and loss of control of saw could result in serious injury.

1. Your saw can be adjusted to cut at any angle between  $0^\circ$  and  $52^\circ$ . When making  $45^\circ$  bevel cuts, there is a notch in the saw base to help you line up the blade with the line of cut (see Fig. 16a).
2. Align your line of cut with the left side of the notch by the  $45^\circ$  indicator when making  $45^\circ$  bevel cuts.
3. Since blade thicknesses vary and different angles require different settings, **MAKE A TRIAL CUT** in scrap material along the guideline to determine how much, if any, you should offset the blade from the guideline to allow for the kerf of the blade to get an accurate cut.
4. When making a bevel cut **HOLD** the saw **FIRMLY** with both hands (see Fig. 16).
5. Rest the front edge of the base on the workpiece, then squeeze the trigger switch to start the saw. **ALWAYS** let the blade reach full speed, then guide the saw into the workpiece.
6. After completing your cut, release the trigger switch and allow the blade to come to a complete stop in the cut. **DO NOT** remove the saw from the workpiece while the blade is moving. It will damage your bevel cut and cause Kickback.

**⚠ WARNING:** If the blade comes in contact with the workpiece before it reaches full speed, it could cause the saw to kickback towards you, possibly resulting in serious injury.

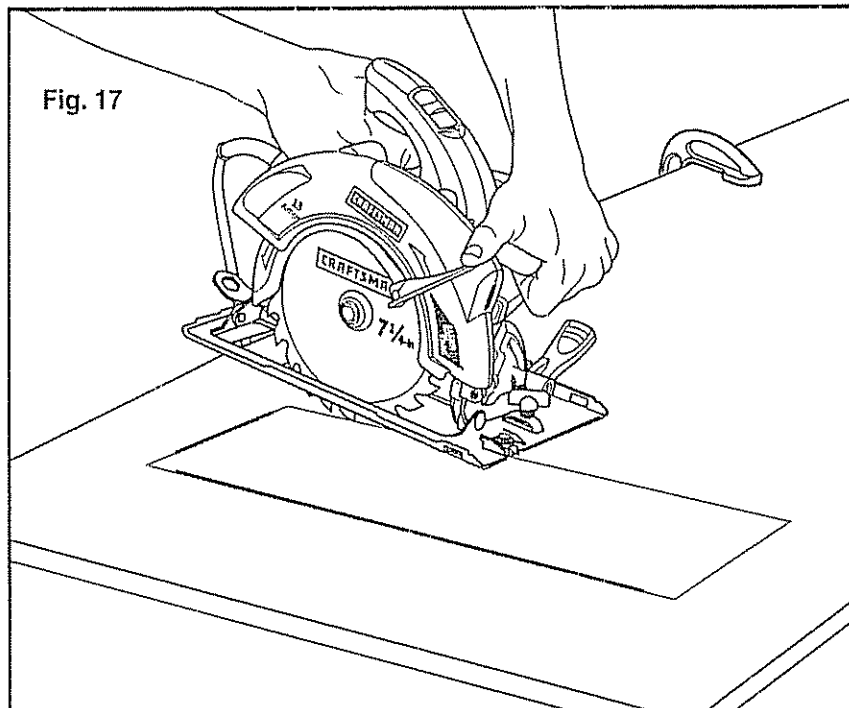
## OPERATION cont.

### MAKING POCKET CUTS ( Fig. 17)

**⚠ WARNING:** ALWAYS adjust bevel setting to zero before making a pocket cut. Attempting a pocket cut at any other setting can result in a loss of control of the saw, which can result in serious injury.

- 1 Adjust the bevel setting to zero, set the blade to the correct blade depth setting, then use the lower blade guard lever to swing the guard up.

**⚠ WARNING:** ALWAYS raise the lower blade guard with the lever to avoid serious injury.



- 2 While holding the lower blade guard up by the lever, firmly rest the front of the saw base flat against the workpiece with the rear handle raised so the blade **does not** touch the workpiece (see Fig 17).
- 3 Squeeze the trigger switch to start the saw. **ALWAYS** let the blade reach full speed, then slowly lower the blade onto the workpiece until the base is flat against the workpiece. **AS** the blade enters the material, you **MUST** release the lower blade guard lever.
- 4 After you complete the cut, release the trigger switch and allow the blade to come to a complete stop. After the blade has stopped, remove it from the workpiece. If the corners of your pocket cut are not completely cut through, use a hand finishing saw to finish the corners.

**⚠ WARNING:** NEVER tie the lower blade guard in the raised position. Leaving the blade exposed could result in serious injury.

## ADJUSTMENTS

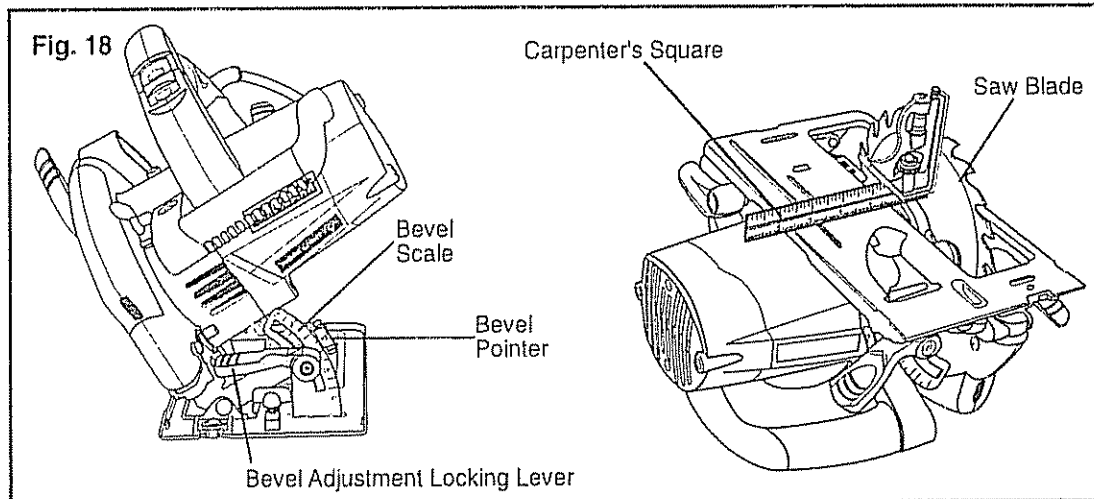
### POSITIVE 0° BEVEL STOP

Your saw has a positive 0° bevel stop and it was adjusted at the factory to assure 0° angle of the saw blade for 90° cuts. However, shipping can cause misalignment.

### HOW TO CORRECT THE 0° ANGLE SETTING (Figs.18, 18a and 18b)

1. Unplug the saw.

**⚠ WARNING:** ALWAYS unplug saw before making any adjustments. Failure to unplug the saw could result in accidental starting which can cause serious personal injury.

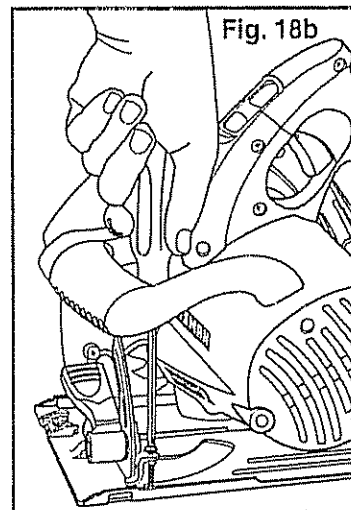
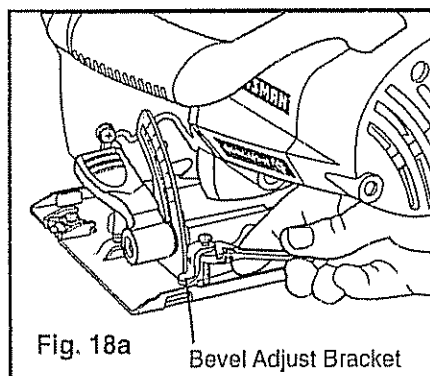


2. Place saw in an upside down position on workbench
3. Use a carpenter's square to check the squareness of the saw blade to the base of your saw.
4. If saw is not square, loosen bevel adjustment locking lever (see Fig. 18).
5. Loosen bevel adjust locking nut counterclockwise, away from bevel adjust bracket, with small wrench (see Fig. 18a).

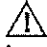
6. Use Phillips screwdriver to turn bevel adjust screw up or down to adjust base until square with the blade (see Fig. 18b).

7. When base is square, tighten nut clockwise until tight up against bevel adjust bracket.


8. Tighten bevel adjustment lever.



## ADJUSTMENTS cont.

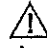
 **WARNING:** Attempting to make cuts without the bevel adjustment locking lever securely tightened can result in serious injury.

## MAINTENANCE


 **WARNING:** To ensure safety and reliability, all repairs - with the exception of the externally accessible brushes - should be performed by a qualified service technician at a Sears Service Center.

 **WARNING:** For your safety, ALWAYS turn off switch and unplug circular saw from the power source before performing any maintenance or cleaning.

It has been found that electric tools are subject to accelerated wear and possible premature failure when they are used to work on fiber glass boats and sports cars, wallboard, spackling compounds or plaster. The chips and grindings from these materials are highly abrasive to electrical tool parts, such as bearings, brushes, commutators, etc. Consequently, it is not recommended that this tool be used for extended work on any fiberglass material, wallboard, spackling compound or plaster. During any use on these materials, it is extremely important that the tool is cleaned frequently by blowing with an air jet.

 **WARNING:** Always wear safety goggles or safety glasses with side shields during power tool operations, or when blowing dust. If operation is dusty, also wear a dust mask.

## ROUTINE MAINTENANCE

 **WARNING:** DO NOT at any time let brake fluids, gasoline, petroleum-based products, penetrating oils, etc. come in contact with plastic parts. Chemicals can damage, weaken or destroy plastic, which may result in serious personal injury.

Periodic maintenance allows for long life and trouble-free operation. A cleaning, lubrication and maintenance schedule should be maintained. As a common preventive maintenance practice, follow these recommended steps:

1. When work has been completed, clean the tool to allow smooth functioning of the tool over time.
2. Use clean damp cloths to wipe the tool.
3. Check the state of all electrical cables.
4. Keep the motor air openings free from oil, grease and sawdust or woodchips, and store tool in a dry place.
5. Be certain that all moving parts that are exposed are well lubricated, particularly after lengthy exposure to damp and/or dirty conditions.

## MAINTENANCE cont.

### LUBRICATION

All of the bearings in this tool are lubricated with a sufficient amount of high-grade lubricant for the life of the tool under normal operating conditions. Therefore, no further lubrication is required.

## TROUBLESHOOTING

### If the blade does not follow a straight line:

- Teeth are dull. This is caused by hitting a hard object such as a nail, dulling teeth on one side. The blade tends to cut to the side with the sharpest teeth.
- Base is out of line or bent.
- Blade is bent.
- Edge guide or straight edge is not being used.

### If the blade binds or smokes from friction:

- Blade is dull.
- Blade is on backwards.
- Blade is bent.
- Workpiece is not properly supported.
- Incorrect blade is being used.

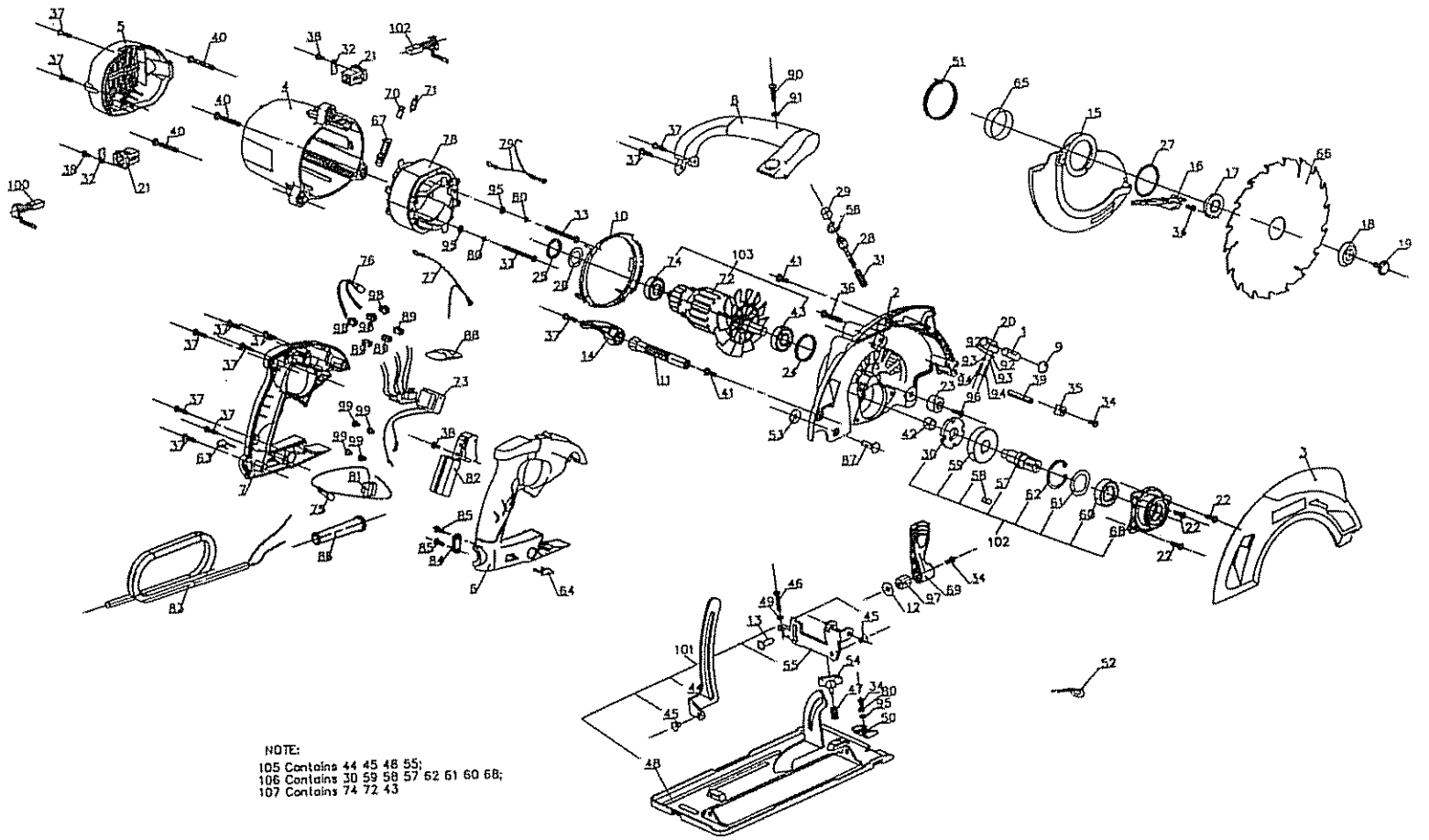
## ACCESSORIES

**⚠ WARNING:** The use of attachments or accessories that are not recommended for this tool might be dangerous and could result in serious injury.

Sears and other Craftsman outlets have a large selection of 7 1/4-inch Craftsman steel carbide-tipped blades designed for specific cutting applications. Contractor bulk packs are also available.

Sears and other Craftsman outlets also offer sawhorses, combination and framing squares, straight edges, edge guides, and a large assortment of clamps to help you with all your sawing needs.

Visit your local Sears store or other Craftsman outlets or shop [sears.com/craftsman](http://sears.com/craftsman).



**PARTS LIST cont.****7 1/4-in. CIRCULAR SAW – MODEL NUMBER 320.10871**

The Model Number will be found on the Nameplate.

Always mention the Model Number in all correspondence regarding your tool.

Item No.	Parts No.	Part Description	Qty.
1	2780040000	Laser Set	1
2	3420333000	Gear Case	1
3	3420335000	Upper Guard	1
4	3121339000	Motor Housing	1
5	3121340000	Rear Cover	1
6	3320220000	Right Handle	1
7	3320219000	Left Handle	1
8	3320221000	Front Handle	1
9	3121384000	Lens	1
10	3121341000	Fan Baffle	1
11	3400174000	Lock Rod	1
12	5650017000	Plain Washer GB96-85 6 A140	1
13	5640151000	Bolt	1
14	3121378000	Depth Adjusting Lever	1
15	3420334000	Moving Guard	1
16	3121379000	Moving Guard Lever	1
17	3550225000	Inner Flange	1
18	3550222000	Clamp	1
19	5620151000	Flange Screw	1
20	3420184000	Adjusting Block	1
21	2800006000	Brush Holder	2
22	5610094000	Tapping Screw GB6560-86 4X16	3
23	3121051000	Stopper	1
24	3121057000	Rubber Ring	1
25	3121054000	Spring	1
26	3700255000	Washer	1
27	5660030000	Circlips For Shaft	1
28	3550238000	Lock Shaft	1
29	3120560000	Button	1
30	3550240000	Lock Ring	1
31	3660072000	Spring	1
32	3700539000	Epoxy Board	2
33	5610048000	Tapping Screw GB845-85 4.2X55-F	2
34	5620039000	Screw GB818-85 M4x10	4
35	3700262000	Wire Holder	1
36	5610061000	Thread Forming Screw GB6560-86 5°;3	1
37	5610042000	Tapping Screw GB845-85 ST4.2x19-F-H	12
38	5610053000	Tapping Screw GB845-85 4.2x9.5-F	3
39	5670008000	Spring Pin GB879-86 6x40	1
40	5610062000	Thread Forming Screw GB6560-86 M5°;4	3

**PARTS LIST cont.****7 1/4-in.CIRCULAR SAW – MODEL NUMBER 320.10871**

The Model Number will be found on the Nameplate

Always mention the Model Number in all correspondence regarding your tool.

Item No.	Parts No.	Part Description	Qty.
41	5610057000	Thread Forming Screw	2
42	5700041000	Oil Impreging Bearing	1
43	5700015000	Ball Bearing GB/T276-94 6201-2RD	1
44	3700780000	Depth Bracket	1
45	5680009000	Rivet GB873-86 6x8	2
46	5620044000	Screw GB818-85 M4X25	1
47	3660071000	Spring	1
48	3700278000	Base Plate	1
49	5630001000	Nut GB6170-86 M4	1
50	3120562000	Line Guide	1
51	3700663000	Fence	
52	3700865000	Wrench	
53	5650053000	Washer	1
54	3400011000	Wing Bolt	1
55	3700280000	Support Plate	1
56	5660010000	E Ring GB896-86 9	1
57	3550239000	Gear Shaft	1
58	5680004000	Plain Key GB1096-79 5x14	1
59	3550235000	Gear	1
60	5700019000	Ball Bearing GB_T276-94 6003-2RS	1
61	3700281000	Wave Washer	1
62	5660023000	Circlips For Hole GB893.1-86 35	1
63	3121475000	Power Indicator cover (Left)	1
64	3121424000	Power Indicator cover (Right)	1
65	3700586000	Lining	1
66	3810073000	Blade	1
67	3121381000	LED Cover	1
68	3420311000	Gear Case Cover	1
69	3121380000	Angle Lever	1
70	3121382000	LED Support1	1
71	3121383000	LED Support2	1
72	2750160000	Rotor	1
73	2821947000	Transform Assy	1
74	5700013000	Ball Bearing GB_T276-94 6000-2Z	1
76	4360221000	LED	1
77	2821992000	Inner wire 1	1
78	2740066000	Stator	1
79	2821992000	Inner wire 2	1
80	5650007000	Spring Washer GB93-87 4	3

**PARTS LIST cont.**

**7 1/4-in. CIRCULAR SAW – MODEL NUMBER 320.10871**

The Model Number will be found on the Nameplate.  
Always mention the Model Number in all correspondence regarding your tool.

Item No.	Parts No.	Part Description	Qty.
81			
82	4870036000	Switch	1
83	4810002000	Power Cord & Plug	1
84	3700367000	Cord Anchorage	1
85	5610093000	Tapping Screw JIS M4 <sup>°</sup> j1	2
86	3121050000	Cord Guard	1
87			
88	3121385000	Laser Button	1
89	4930012000	Terminal	3
90	5610059000	Thread Forming Screw GB6560-86 M5 <sup>°</sup> x2	1
91	5650013000	Plain Washer GB97.1-85 5	1
92	5650001000	Plain Washer GB97.1-85 3	2
93	5650003000	Spring Washer GB93-87 3	2
94	5620006000	Hexagon Socket Screw GB70-85 M3 <sup>°</sup> x1	2
95	5650005000	Plain Washer GB97.1-85 4	2
96	5610058000	Tapping Screw GB6560-86 M5X16	1
97	3550375000	Nut M6X2P	1
98	4930013000	Receptacle	3
99	5620035000	Screw GB818-85 M3.5 <sup>°</sup> x 8	4
100			
101	3660138000	Torsion Spring	1
102	4960021000	Carbon	2
103	5640152000	Bolt	1
104			
105		Base Plate Set	1
106		Gear Set	1
107		Rotor Set	1

**SEE BACK PAGE FOR PARTS ORDERING INSTRUCTIONS**



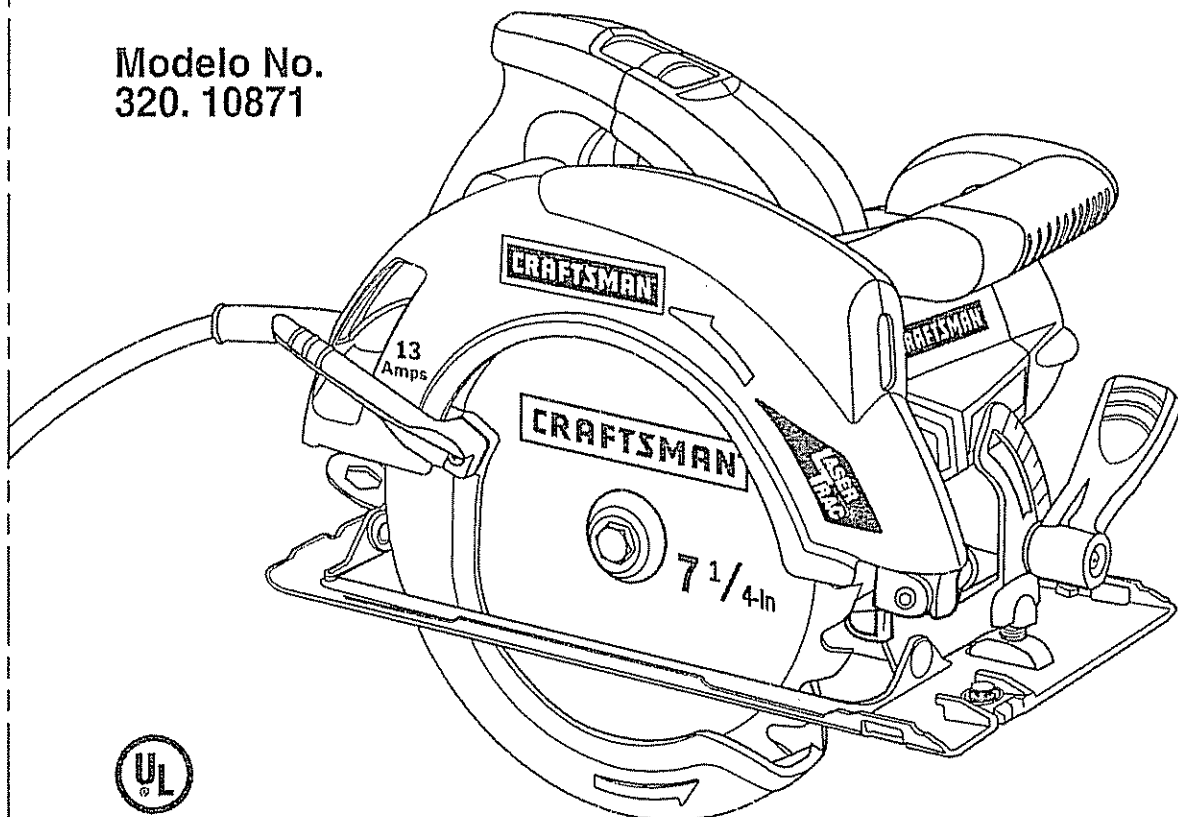
# Manual del Operador



13 Amp

## Sierra Circular de 7 1/4 pulgadas con Laser Trac™

Modelo No.  
320. 10871



Doble Aislamiento

**⚠ PRECAUCIÓN:** Lea, entienda y siga todas las Normas de Seguridad e Instrucciones de Funcionamiento en este Manual antes de usar este producto.

Sears, Roebuck and Co.,  
Hoffman Estates, IL 60179 U.S.A.

Visite nuestra página Web Craftsman®: [www.craftsman.com](http://www.craftsman.com)

- GARANTÍA
- SEGURIDAD
- DESEMPACADO
- ENSAMBLAJE
- DESCRIPCIÓN
- FUNCIONAMIENTO
- AJUSTES
- MANTENIMIENTO

## TABLA DE CONTENIDO

Garantía.....	Página	36
Símbolos de Seguridad .....	Página	37
Instrucciones de Seguridad.....	Páginas	38 - 45
Glosario de Términos.....	Páginas	45 - 46
Desempacado.....	Páginas	46 - 47
Ensamblaje.....	Páginas	47 - 48
Descripción .....	Páginas	49 - 51
Funcionamiento .....	Páginas	51 - 61
Ajustes.....	Páginas	62 - 63
Mantenimiento.....	Páginas	63 - 64
Detección y Resolución de Problemas.....	Página	64
Accesorios.....	Página	64
Piezas de Repuesto.....	Páginas	65 - 68
Números de Teléfono del Servicio de Piezas de Repuesto de Sears.....	Contratapa	

### **GARANTÍA DE UN AÑO COMPLETO SOBRE PRODUCTOS CRAFTSMAN®**

Si este producto Craftsman falla debido a defectos en el material o mano de obra entro un año desde la fecha de compra, **REGRESELO A LA TIENDA SEARS O CENTRO DE PARTES Y PIEZAS DE REPUESTOS U OTRO PUNTO DE VENTA CRAFTSMAN MÁS CERCANO EN LOS ESTADOS UNIDOS PARA SU REPARACIÓN GRATUITA (O REEMPLAZO SI LA REPARACIÓN RESULTASE IMPOSIBLE).**

Esta garantía no incluye piezas desechables, tales como lámparas, pilas, brocas o cuchillas.

Si esta herramienta Craftsman se utiliza para fines comerciales o de alquiler, esta garantía aplica sólo para 90 días desde la fecha de compra.

Esta garantía le otorga derechos legales específicos, y es posible que también cuente con otros derechos, los cuales varían de un estado a otro.

Sears, Roebuck and Co., Hoffman Estates, IL 60179

**¡GUARDE ESTAS INSTRUCCIONES!**  
**¡LEA TODAS LAS INSTRUCCIONES!**

## SÍMBOLOS DE SEGURIDAD

El propósito de los símbolos de seguridad es llamar su atención a posibles peligros. Los símbolos de seguridad y las explicaciones que los acompañan, merecen su **cuidadosa atención y entendimiento**. Las advertencias mediante símbolo por sí solas **NO** eliminan el peligro. Las instrucciones y advertencias que ofrecen no sustituyen las medidas de prevención de accidentes apropiadas.

**⚠ ADVERTENCIA:** ASEGÚRESE de leer y entender todas las instrucciones de seguridad en este manual, incluyendo todos los símbolos de alerta de seguridad tales como "PELIGRO", "ADVERTENCIA" y "PRECAUCIÓN", ANTES de usar esta sierra. El incumplimiento en seguir todas las instrucciones indicadas a continuación podría resultar en descargas eléctricas, incendio y/o lesiones personales graves.

### DEFINICIÓN DE LOS SÍMBOLOS



**SÍMBOLO DE ALERTA DE SEGURIDAD:** Indica PELIGRO, ADVERTENCIA o PRECAUCIÓN. Puede ser utilizado en conjunto con otros símbolos o pictograma.



No obedecer esta advertencia de seguridad **RESULTARÁ** en muerte o lesión grave a usted o terceros. Siga siempre las precauciones de seguridad para reducir el riesgo de incendio, descargas eléctricas y lesiones personales.



**ADVERTENCIA:**

No obedecer esta advertencia de seguridad **PUEDE** resultar en muerte o lesiones graves a usted o terceros. Siga siempre las precauciones de seguridad para reducir el riesgo de incendio, descargas eléctricas y lesiones personales.



**PRECAUCIÓN:**

No obedecer esta advertencia de seguridad **PODRÍA** resultar en lesiones personales a usted o terceros. Siga siempre las precauciones de seguridad para reducir el riesgo de incendio, descargas eléctricas y lesiones personales.

### PREVENCIÓN DE DAÑOS Y MENSAJES INFORMATIVOS

Estos informan al usuario sobre información y/o instrucciones importantes que podrían conllevar a daños al equipo u otra propiedad si no se siguen. Cada mensaje es precedido por la palabra "NOTA:" como se muestra en el ejemplo a continuación:

**NOTA:** Si estas instrucciones no se siguen podría resultar en daños al equipo y/o a la propiedad.



**ADVERTENCIA:** El funcionamiento de cualquier herramienta con una hoja circular podrían resultar en objetos foráneos arrojados en sus ojos, lo cual podrían resultar en daños graves a los ojos. Antes de comenzar a usar herramientas eléctricas, **SIEMPRE** use gafas de seguridad con protectores laterales y protectores de cara completa cuando sea necesario. Nosotros recomendamos una Máscara de Seguridad de Visión Amplia para usar sobre gafas de seguridad estándar con protectores laterales, la cual está disponible en las Tiendas Sears u otros Puntos de Venta Craftsman.

## INSTRUCCIONES DE SEGURIDAD

**⚠ ADVERTENCIA:** ASEGÚRESE de leer y entender todas las instrucciones en este manual antes de usar esta sierra circular. No seguir todas las instrucciones podría resultar en exposición a radiaciones peligrosas, descargas eléctricas, incendio y/o lesiones personales graves.

### PRECAUCIONES DE SEGURIDAD PARA EL USO DE LÁSER


Esta sierra circular cuenta con un rayo láser integrado. El láser es de Clase IIIa y emite una salida de energía de máximo 1mW y 635-665nm longitudes de onda. Estos láseres normalmente no presentan un riesgo óptico. Sin embargo, **NO** mire el rayo fijamente ya que esto podría ocasionar deslumbramiento por ráfagas de luz.

La siguiente etiqueta está presente en su herramienta. La misma indica dónde la sierra emite el rayo láser. **ESTÉ CONCIENTE** de la ubicación del rayo láser al usar la herramienta. **ASEGÚRESE SIEMPRE** que todo tercero que se encuentre en proximidad de uso está conciente de los peligros de mirar directamente al láser.

### Precaución



**RADIACIÓN LÁSER NO MIRE FIJAMENTE EL RAYO**  
635-665nm Potencia: ≤ 2.5mW Este producto con Láser clase IIIa cumple con la norma 21CFR, partes 1040.10 y 1040.11

Evite que se emita radiación del láser de exposición a través de este apertura. 

**⚠ ADVERTENCIA:** RAYO LÁSER. RADIACIÓN LÁSER. Evite la Exposición Directa de los Ojos. **NO** mire fijamente al rayo. Encienda el rayo láser sólo cuando la sierra se encuentre sobre la pieza de trabajo. Láser Clase IIIa.

**⚠ ADVERTENCIA:** El uso de controles, ajustes o la realización de procedimientos distintos a los especificados en este manual podría resultar en exposición a radiación peligrosa.

**⚠ ADVERTENCIA:** El uso de instrumentos ópticos tales como, entre otros, telescopios o trasvases para ver el rayo láser incrementará los riesgos a los ojos.

1. **NO** retire ni altere las etiquetas del producto. Retirar las etiquetas del producto incrementa el riesgo de exposición a radiación láser.
2. El rayo láser puede ser dañino para los ojos. Evite **SIEMPRE** la exposición directa a los ojos. **NO** mire directamente a la apertura de salida del rayo láser durante el funcionamiento. **NO** proyecte el rayo láser directamente en los ojos de terceros. Encienda el láser **SOLAMENTE** al realizar los cortes.
3. Se incluyen gafas para distinguir mejor el rayo láser en condiciones de luz brillante. **NO** use las gafas si interfieren con el uso seguro de esta sierra.
4. El láser en sierras circulares no es un juguete. Manténgalo **SIEMPRE** lejos del alcance de los niños. El rayo láser emitido por este dispositivo **NUNCA DEBE** dirigirse hacia las personas por motivo alguno.
5. **ASEGÚRSE** que el rayo láser esté apuntado hacia la pieza de trabajo (tal como madera o superficies ásperas) sin superficies reflectantes.
6. **NO** use sobre materiales tales como láminas de acero con superficies brillantes y reflectantes. Una superficie brillante podría reflejar el rayo de nuevo al operador. Asegúrese de que el rayo láser no se refleje en espejos u otras superficies reflectantes, ya que también pudiera ser peligroso.

## INSTRUCCIONES DE SEGURIDAD cont.

7. Apague **SIEMPRE** el rayo láser cuando no esté en uso. Dejar la herramienta sin supervisión también puede incrementar el riesgo de que otra persona inadvertidamente mire directamente al rayo láser.

**⚠ PRECAUCIÓN:** Siga **SIEMPRE** sólo las instrucciones contenidas en este manual cuando use el láser. El uso de esta característica de cualquier manera distinta a lo que se indica en este manual podría resultar en exposición a radiación peligrosa.osure.

8. **NO** intente modificar el desempeño de este dispositivo láser de cualquier forma. Esto podría resultar en una exposición peligrosa a la radiación láser.
9. Use **SIEMPRE** sólo accesorios recomendados por Sears para usar con este producto. El uso de accesorios que han sido diseñados para su uso con otras herramientas láser podría resultar en lesiones graves.
10. Para más información acerca de los láser, refiérase a ANSI-Z136.1 para el **ESTÁNDAR PARA USO SEGURO DE LÁSER**, disponible del Instituto Láser de América (407) 380-1553.

### SEGURIDAD EN EL ÁREA DE TRABAJO

1. **Mantenga su área de trabajo limpia y bien iluminada.** Los bancos de trabajo atestados y las áreas oscuras atraen accidentes.
2. **NO use herramientas eléctricas en ambientes explosivos, tales como en presencia de líquidos, gases o polvos inflamables.** Las herramientas eléctricas producen chispas que podrían encender el polvo o gases.
3. **Mantenga a observadores, niños y visitantes lejos mientras use una herramienta eléctrica.** Las distracciones podrían ocasionar que pierda el control.
4. **Mantenga su talle de trabajo a prueba de niños** usando candados e interruptores maestros. Guarde bajo llave las herramientas cuando no las esté usando.
5. **ASEGÚRESE** que el área de trabajo cuente con **luz suficiente** para que pueda ver el trabajo y que no existen obstrucciones que interferirán con el uso seguro **ANTES** de usar su sierra.

### SEGURIDAD PERSONAL

1. **CONOZCA su herramienta.** Lea el manual del operador cuidadosamente. Aprenda las aplicaciones y limitaciones de la sierra, así como los peligros potenciales específicos relacionados con esta herramienta.
2. **MANTÉNGASE ALERTA,** mire lo que está haciendo y use sentido común al usar una herramienta eléctrica.
3. **NO** use la herramienta si está cansado o bajo la influencia de drogas, alcohol o medicamentos. Un momento de falta de atención mientras usa herramientas eléctricas podría resultar en lesiones personales graves.
4. **VISTA apropiadamente.** No use ropa suelta o joyas. Amarre el cabello largo hacia atrás. Mantenga su cabello, ropa y guantes lejos de piezas móviles. La ropa suelta o el cabello largo podrían quedar atrapados en las piezas móviles. Las aperturas de ventilación cubren la mayoría de piezas móviles y deben evitarse.
5. **EVITE** la encendida de manera accidental. Asegúrese de que el interruptor esté en la posición "OFF" ("APAGADO") antes de enchufar la herramienta. **NO** sostenga herramientas con su dedo en el interruptor. Llevar herramientas con su dedo en el interruptor o enchufar las herramientas con el interruptor en la posición "ON" ("ENCENDIDO") atrae accidentes.

## INSTRUCCIONES DE SEGURIDAD cont.

### SEGURIDAD PERSONAL. cont.

6. **RETIRE** las llaves de ajuste o llave de la hoja antes de encender la herramienta. Una llave dejada en la parte rotativa de la herramienta podría resultar en lesiones personales.
7. **No se extienda para alcanzar. Mantenga una posición firme y balanceada en todo momento.** Una posición firme y balanceada permite un mejor control de la herramienta en situaciones inesperadas.
8. **ASEGURE SIEMPRE SU TRABAJO.** Use abrazaderas o un tornillo de banco para sostener el trabajo cuando sea práctico. Es más seguro que usar sus manos y libera ambas manos para manejar la herramienta.
9. **USE EQUIPO DE SEGURIDAD.** Siempre use protección para los ojos. Las máscaras antipolvo, zapatos de seguridad antiresbalantes, cascos o protección para los oídos debe usarse en condiciones apropiadas.
10. **NO USE LA HERRAMIENTA SOBRE UNA ESCALERA o soporte inestable.** Una posición firme y estable sobre una superficie sólida permite un mejor control de la herramienta en situaciones inesperadas.

### SEGURIDAD EN EL USO Y CUIDADO DE LA HERRAMIENTA

**⚠ ADVERTENCIA:** ASEGÚRESE de leer y entender todas las instrucciones antes de usar esta sierra. No seguir todas las instrucciones indicadas a continuación podría resultar en descargas eléctricas, incendio y/o lesiones personales graves.

1. **SIEMPRE** use abrazaderas u otras maneras prácticas de asegurar y soportar la pieza de trabajo sobre una plataforma estable. Sostener el trabajo con las manos o contra su cuerpo es inestable y podría resultar en pérdida de control.
2. **NO fuerce la herramienta. Use la herramienta y hoja correcta para su aplicación.** La herramienta y hoja correcta lograrán el trabajo mejor y de manera más segura a la velocidad para lo cual fueron diseñadas.
3. **NO use la herramienta si el interruptor no la enciende o apaga.** Cualquier herramienta que no puede ser controlada mediante el interruptor es peligrosa y debe ser reparada.
4. **DESCONECTE el enchufe de la fuente de alimentación antes de hacer cualquier ajuste, cambiar accesorios o guardar la herramienta.** Tales medidas preventivas de seguridad reducen el riesgo de que la herramienta se encienda accidentalmente.
5. **NUNCA** deje la herramienta en funcionamiento. **Apáguela SIEMPRE. NO** deje la herramienta sin supervisión hasta que se haya detenido por completo.
6. **ALMACENE** las herramientas sin uso fuera del alcance de los niños y otras personas no capacitadas para ello. Las herramientas son peligrosas en manos de usuarios no capacitados.
7. **Presente MANTENIMIENTO a las herramientas con cuidado. Mantenga las herramientas de corte afiladas y limpias.** Las herramientas que reciben el mantenimiento apropiado con laterales de corte afilados evitarán atascarse y serán más fáciles de controlar.
8. **VERIFIQUE** si existe una mala alineación o atascamiento de piezas móviles, rotura de piezas y cualquier otra condición que podría afectar el funcionamiento de la herramienta. Si existen daños, haga que la herramienta sea reparada antes de usarla. Muchos accidentes son ocasionados por herramientas mal mantenidas

## INSTRUCCIONES DE SEGURIDAD cont.

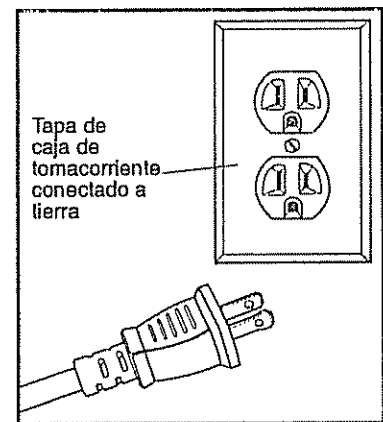
### SEGURIDAD EN EL USO Y CUIDADO DE LA HERRAMIENTA cont.

9. **USE SÓLO** accesorios recomendados para esta herramienta. Los accesorios que podrían ser aptos para una herramienta podrían tornarse peligrosos cuando se usan con otra herramienta.

### SEGURIDAD ELÉCTRICA

**⚠ ADVERTENCIA:** No permita que los dedos toquen los terminales de un enchufe al instalar o retirar el enchufe de la toma.

1. Las herramientas con doble aislamiento están equipadas con un enchufe polarizado (una hoja más ancha que la otra). Este enchufe se ajustará a una toma polarizada en un solo sentido. Si el enchufe no entra por completo en la toma, revierta el enchufe. Si aún no entra, contacte a un electricista calificado para que instale una toma polarizada. No cambie el enchufe en ningún modo.
2. El doble aislamiento  elimina la necesidad de cordones de alimentación de tres alambres para conexión a tierra y sistemas de alimentación con conexión a tierra. Aplica sólo para herramientas Clase II (con doble aislamiento). **Esta sierra circular es una herramienta con doble aislamiento.**



**⚠ ADVERTENCIA:** El doble aislamiento **NO** reemplaza la implementación de normales precauciones de seguridad al usar esta herramienta.

3. **ANTES** de enchufar la herramienta, **ASEGÚRESE** que el voltaje de la toma provisto se encuentra dentro del rango de voltaje marcado en la placa de datos de la herramienta. **NO** use herramientas con clasificación "AC solamente" con fuentes de alimentación DC.
4. **EVITE** el contacto corporal con superficies con conexión a tierra, tales como tuberías, radiadores, estufas y refrigeradores. Existe un mayor riesgo de descargas eléctricas si su cuerpo hace contacto a tierra.
5. **NO** exponga las herramientas eléctricas a la lluvia ni a condiciones de humedad ni use herramientas eléctricas en lugares mojados o húmedos. El agua que penetra en la herramienta eléctrica incrementará el riesgo de descargas eléctricas.
6. **INSPECCIONE** el cordón de la herramienta para verificar la presencia de daños. **Entregue** cordones de herramientas dañados al Centro de Servicio Sears. **ASEGÚRESE** de estar constantemente conciente de la ubicación del cordón y manténgalo lejos de la hoja en movimiento.
7. **NO** abuse el cordón. **NUNCA** use el cordón para transportar la herramienta ni para halar el enchufe de la toma. Mantenga el cordón lejos del calor, aceite, bordes filosos o piezas móviles. Reemplace todo cordón dañado de inmediato. Los cordones dañados incrementan el riesgo de descargas eléctricas.



## INSTRUCCIONES DE SEGURIDAD cont.

### NORMAS DE SEGURIDAD PARA SIERRAS CIRCULARES

**⚠ PELIGRO:** Mantenga las manos lejos de los bordes cortantes y la hoja. Mantenga su segunda mano en el mango auxiliar o cubierta del motor. Si ambas manos están sosteniendo la sierra, la hoja no podrá cortarlas.

**⚠ PRECAUCIÓN:** La hoja deceleran una vez apagada la sierra.

1. MANTENGA su cuerpo posicionado a cualquiera de los lados de la hoja de la sierra y no en línea directa con la hoja. El rebote podría ocasionar que la sierra salte hacia atrás. (Ver "Rebote - Qué lo Ocasiona y Maneras para Prevenirlo" en las páginas 18 y 19).
2. NO se extienda para alcanzar debajo del trabajo. El protector no le protegerá de la hoja debajo de la pieza de trabajo.

**⚠ PELIGRO:** Al aserrar la pieza de trabajo, el protector inferior de la hoja NO cubre la hoja del lado inferior de la pieza de trabajo (Pág. 17 Fig. 4). Mantenga SIEMPRE sus manos y dedos lejos del área de corte.

3. VERIFIQUE que el protector inferior se cierra adecuadamente ANTES de cada uso. NO use la sierra si el protector inferior no se mueve libremente y no cierra instantáneamente. Nunca sujete ni amarre el protector inferior en posición abierta. Si la sierra es dejada caer accidentalmente, el protector inferior podría doblarse. Levante el protector inferior usando la palanca retráctil. El protector funciona apropiadamente si se mueve libremente, no toca la hoja ni ninguna otra parte en cualquier ángulo y profundidad de corte y si prontamente regresa a la posición de cierre.
4. VERIFIQUE el funcionamiento y condición del resorte de protector inferior. Si el protector y resorte no funcionan apropiadamente, DEBEN ser reparados antes del uso. El protector inferior de la hoja podría funcionar lentamente, debido a piezas dañadas, depósitos gomosos o acumulación de detritos. NO opera su sierra hasta que se haya reparado o reemplazado el daño.
5. El protector inferior debe retraerse manualmente SOLO para hacer cortes especiales, tales como cortes de bolsillo o compuestos. Levante SIEMPRE el protector inferior utilizando la palanca retráctil correspondiente. En cuanto la hoja penetre el material, el protector inferior DEBE ser liberado. Para toda otro corte, el protector inferior debe funcionar automáticamente.
6. Asegúrese SIEMPRE que el protector inferior esté cubriendo la hoja ANTES de colocar la sierra sobre un banco de trabajo o en el suelo. Una hoja móvil sin protección ocasionará que la sierra se desplace hacia atrás, cortando lo que encuentre en su camino. Preste atención a cuánto tiempo le toma a la hoja dejar de girar después de que se libere el interruptor.
7. NUNCA sostenga en sus manos la pieza que se está cortando ni en sus piernas. Es importante soportar la pieza de trabajo apropiadamente para minimizar la exposición del cuerpo, el atascamiento de la hoja o la pérdida de control.
8. SOSTENGA LA HERRAMIENTA por los mangos aislados al realizar operaciones dónde la herramienta de corte pueda entrar en contacto con cables escondidos o con su propio cordón. El contacto con un cable "vivo" hará que las piezas metálicas expuestas electrocuten al operador.
9. Sujete SIEMPRE la pieza de trabajo de manera segura para que no se mueva al realizar el corte.

## INSTRUCCIONES DE SEGURIDAD cont.

### NORMAS DE SEGURIDAD PARA SIERRAS CIRCULARES cont.

10. Al aserrar al hilo, USE SIEMPRE una guía de corte o guía de corte recto. Esto mejora la precisión del corte y reduce la posibilidad de atascamiento de la hoja.
11. USE SIEMPRE hojas del tamaño correcto y forma correcta del orificio para el eje (diamante vs. redondo). Las hojas que no concuerdan con la pieza de montaje de la sierra girarán de manera errática y ocasionarán la pérdida de control.
12. NUNCA use arandelas o pernos de la hoja, dañados o incorrectos. Las arandelas y pernos de la hoja fueron diseñados especialmente para su sierra, para un óptimo rendimiento y funcionamiento seguro.
13. NUNCA corte más de una pieza a la vez. NO APILE más de una pieza de trabajo sobre la mesa de trabajo a la vez.
14. EVITE un funcionamiento o posicionamiento de las manos incómodo dónde un resbalón repentino podría ocasionar que su mano se mueva en el camino de la hoja.
15. NUNCA alcance debajo del camino de corte de la hoja.

**⚠ ADVERTENCIA:** Algunas partículas de polvo creadas por lijado, aserrado, triturado, taladrado y otros trabajos de construcción realizados con herramientas eléctricas contienen químicos conocidos por ocasionar cáncer, defectos del nacimiento u otros daños reproductivos. Algunos ejemplos de estos químicos son:

- Plomo proveniente de pinturas a base de plomo.
- Sílice cristalina proveniente de ladrillos y cementos y otros productos de mampostería.
- Arsénico y cromo proveniente de madera tratada químicamente.

Su riesgo de exposición varía dependiendo de cuán a menudo realiza este tipo de trabajo. Para reducir su exposición a estos químicos:

- Trabaje en un área bien ventilada.
- Trabaje usando el equipo de seguridad aprobado, tal como mascarillas antipolvo especialmente diseñadas para filtrar partículas microscópicas.

Evite el contacto prolongado con polvo proveniente del lijado, aserrado, triturado, taladrado y otras actividades de la construcción. Use ropa protectora y lave las áreas expuestas con agua y jabón.

Permitir que el polvo penetre en su boca, ojos o descanse sobre la piel puede promover la absorción de químicos dañinos.

**⚠ ADVERTENCIA:** El uso de esta herramienta puede generar y/o emitir polvo, el cual podría ocasionar daños respiratorios graves y permanentes u otras lesiones. Use siempre protección respiratoria NIOSH/OSHA aprobada contra la exposición al polvo. Dirija las partículas lejos de su cara y cuerpo.

### NORMAS ADICIONALES PARA UN FUNCIONAMIENTO SEGURO

**⚠ ADVERTENCIA:** ASEGÚRESE de leer y entender todas las instrucciones. No seguir todas las instrucciones listadas a continuación podría resultar en descargas eléctricas, incendio y/o lesiones personales graves.

1. Conozca su herramienta eléctrica. Lea el manual del operador cuidadosamente. Aprenda las aplicaciones y limitaciones, así como los riesgos potenciales de esta herramienta. Seguir esta norma reducirá el riesgo de descargas eléctricas, incendio y lesiones graves.
2. Use SIEMPRE gafas de seguridad o protectores para los ojos al usar esta sierra. Las gafas para todos los días solo cuentan con lentes resistentes al impacto; NO son gafas de seguridad.

## **INSTRUCCIONES DE SEGURIDAD cont.**

### **NORMAS ADICIONALES PARA UN FUNCIONAMIENTO SEGURO cont.**

3. **PROTEJA sus pulmones.** Use una mascarara para la cara o mascarilla antipolvo si la operación generará polvo.
4. **PROTEJA sus oídos.** Use protección personal para los oídos apropiada durante el uso. Bajo ciertas condiciones, el ruido producido por esta herramienta podría contribuir a la pérdida de audición.
5. **TODOS LOS VISITANTES Y OBSEVADORES DEBEN** usar el mismo equipo de seguridad usado por el operador de la sierra.
6. **INSPECCIONE** los cordones de herramienta periódicamente y si están dañados, haga que los reparen en su Centro de Servicio Sears o Instalación de Servicio Autorizada. **ESTÉ CONCIENTE** de la ubicación del cordón.
7. **Revise SIEMPRE** la herramienta para verificar si existen piezas dañadas. Antes de continuar usando esta herramienta, si un protector u otra pieza están dañados, debe ser inspeccionada cuidadosamente para determinar si funcionará apropiadamente y si realizará la función para la cual fue diseñada. Verifique si existe mala alineación o atascado de piezas móviles, rotura de piezas y cualquier otra condición que podría afectar el funcionamiento de la herramienta. Un protector u otra pieza dañada debe ser reparado apropiadamente o reemplazado en el Centro de Servicio Sears.
8. **INSPECCIONE y retire todo clavo de la madera antes de proceder a aserrar.**
9. **GUARDE ESTAS INSTRUCCIONES.** Refiérase a ellas frecuentemente y úselas para instruir a los demás sobre el uso de esta herramienta. Si alguien toma prestada la herramienta, asegúrese que también tenga acceso a estas instrucciones.

## **GLOSARIO DE TÉRMINOS PARA TRABAJO EN MADERA**

### **Husillo**

El eje sobre el cual la hoja o herramienta de corte es montada. También se le conoce como Eje.

### **Revoluciones Por Minuto (RPM)**

El número de giros completos de un objeto rotativo en un minuto

### **Camino de la hoja de la sierra**

El área sobre, debajo, detrás y frente a la hoja, a medida que se aplica a la pieza de trabajo Esa área que se cortará o se ha cortado con la hoja

### **Triscado**

La distancia a la cual el diente de la hoja de la sierra es doblado hacia fuera desde la cara de la hoja.

### **Corte a inglete**

Una operación de corte hecha con la hoja a un ángulo diferente de 90° con respecto al tope-guía

### **Corte a inglete combinado**

Un corte a inglete combinado es un corte usando un ángulo de inglete y un ángulo de bisel al mismo tiempo.

### **Corte cruzado**

Una operación de corte o de formado en sentido contrario a la veta de la pieza de trabajo.

### **Corte biselado**

Una operación de corte hecha con una hoja a cualquier ángulo distinto a 90° de la mesa de inglete.

### **Corte de ranura**

Un corte sin traspaso que produce una muesca o un canal de lado a lado en la pieza de trabajo (se requiere una hoja especial)

## GLOSARIO DE TÉRMINOS PARA TRABAJO EN MADERA

### Chaflán

Corte efectuado para eliminar una cuña de un bloque de madera de modo que el extremo (o parte de éste) quede a un ángulo diferente de 90°

**Corte al filo** Una operación de corte a lo largo de la longitud de la pieza de trabajo

### Corte manos libres

Realizar un corte sin usar una guía, un calibre de inglete, sujeción, abrazadera de trabajo, ni otro dispositivo apropiado para prevenir que la pieza de trabajo gire o se mueva durante el corte.

### Aserrado en profundidad

Cualquier operación de corte donde la hoja se extiende por completo a través del espesor de la pieza de trabajo.

### Cortes no en profundidad

Cualquier operación de corte donde la hoja no se extiende por completo a través del espesor de la pieza de trabajo, como por ejemplo un corte rasurado.

### Borde delantero

El extremo de la pieza de trabajo que entra en contacto con la herramienta primero

### Línea de fractura

El material retirado por la hoja en un corte en profundidad o la ranura producida por la hoja en un corte no en profundidad o parcial.

### Rebote

Un peligro que puede ocurrir cuando la hoja se atasca, lanzando la pieza de trabajo hacia atrás hacia el operador.

### Pieza de trabajo o material

El objeto sobre el cual se está realizando la operación de corte. Las superficies de la pieza de trabajo se denominan comúnmente caras, extremos o bordes

**Goma** Un residuo pegajoso a base de savia proveniente de productos de madera.

**Resina** Sustancia pegajosa a base de savia que se ha endurecido

## DESEMPACADO

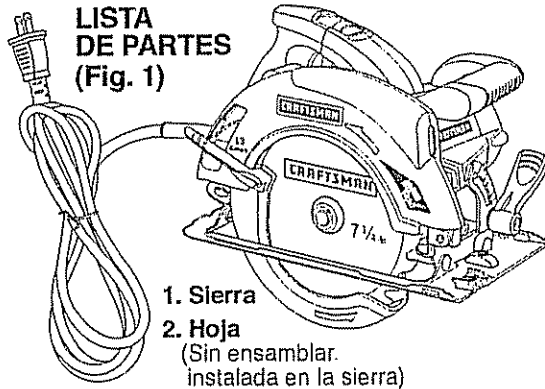
**⚠ ADVERTENCIA:** Su sierra NUNCA debe ser conectada a la fuente de alimentación cuando usted esté ensamblando piezas, haciendo ajustes, instalando o retirando hojas, limpiándola o cuando no esté en uso. Desconecte la sierra para prevenir que se encienda accidentalmente, lo cual ocasionaría lesiones personales graves.

1. Junto a su sierra circular se incluye una hoja de corte (no ensamblada) empacada por separado. También, una llave de hoja, almacenada en la base para ser utilizada al instalar o cambiar la hoja, una guía lateral y un par de gafas de seguridad para mejorar la visualización del rayo láser en condiciones de luz brillante.
2. Inspeccione la sierra cuidadosamente para asegurarse de que no han ocurrido roturas ni daños durante el transporte. Si faltase cualquiera de los ítems mencionados (refiérase a la LISTA DE PARTES de la página 13), regrese la sierra a su tienda Sears o punto de venta Craftsman más cercano para que la sierra sea reemplazada.

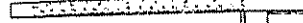
**⚠ ADVERTENCIA:** Si cualquier de las piezas están rotas o faltantes, NO intente enchufar el cordón de alimentación ni usar la sierra hasta que las piezas rotas o faltantes hayan sido reemplazadas. No cumplir con esta instrucción podría resultar en posibles lesiones graves.

## DESMPACADO cont.

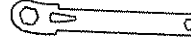
### LISTA DE PARTES (Fig. 1)



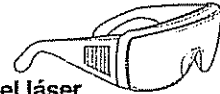
### 3. Guía Lateral



### 4. Llave de la Hoja (para cambiar la hoja)



### 5. Gafas de seguridad para mejoramiento del láser (para mejorar la visualización del láser)



### 6. Manual del Operador

## ENSAMBLAJE

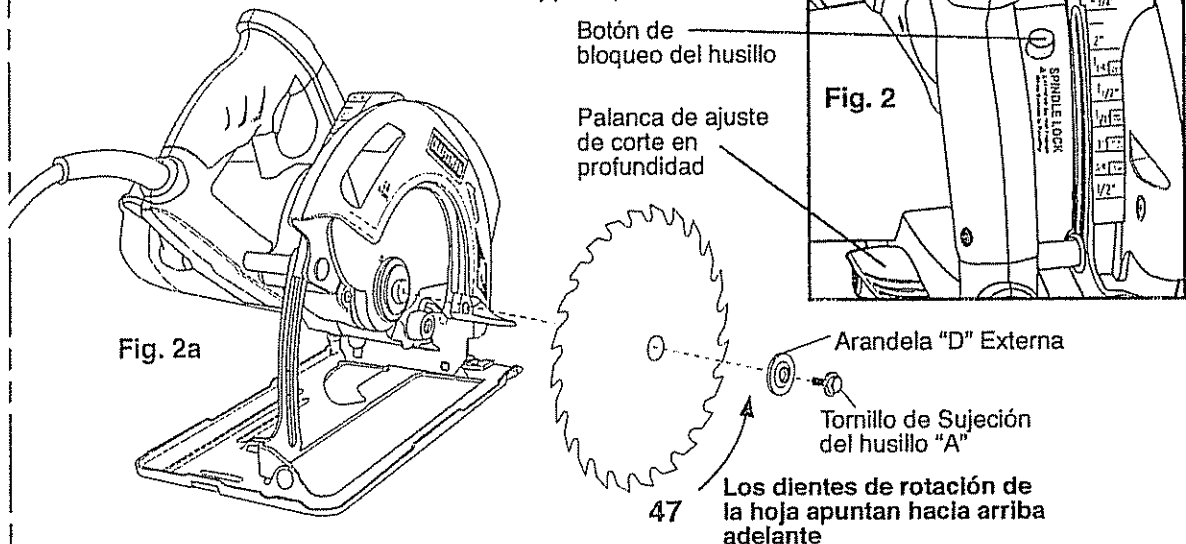
### INSTALACIÓN DE LA HOJA (Figs. 2 y 2a)

Cuidadosamente, retire la hoja del empaque, inspecciónela para asegurarse de que no está agrietada ni dañada.

1. La sierra no debe estar enchufada a la fuente de alimentación.

**⚠ ADVERTENCIA:** Para prevenir lesiones personales, desconecte SIEMPRE el enchufe de la fuente de alimentación ANTES de ensamblar piezas, hacer ajustes o instalar las hojas.

2. Coloque la sierra sobre un lado sobre una superficie plana.
3. Para aflojar la palanca de ajuste de la profundidad de corte, levante la sierra por completo y apriete la palanca. Esto le da mejor acceso al área de montaje de la hoja (ver la Fig. 2a).
4. Levante la sierra, sobre su base y sobre una superficie plana (ver la Fig. 2a).
5. Para aflojar el tornillo de sujeción del husillo "A", pulse el botón de bloqueo del husillo (ver la Fig. 2). Coloque la llave de la hoja sobre el tornillo de sujeción del husillo "A". Mueva la llave hacia delante y hacia atrás hasta que sienta que el botón de bloqueo del husillo se hunde aún más y bloquea la hoja en posición de manera tal que el tornillo de sujeción del eje pueda ser retirado. Manteniendo el botón de bloqueo del husillo firmemente hundido, gire el tornillo del husillo en sentido contrario a las manecillas del reloj para poder retirarlo.



## ENSAMBLAJE cont.

### INSTALACIÓN DE LA HOJA cont. (Figs. 2 y 2a)

**⚠ ADVERTENCIA:** ASEGÚRESE de usar guantes de trabajo de protección mientras manipule la hoja de la sierra. La hoja puede lesionar manos sin protección.

**⚠ ADVERTENCIA:** Una hoja de 7 1/4 pulgadas es la capacidad máxima de las hojas para su sierra. Una hoja más grande que 7 1/4 pulgadas entrará en contacto con los protectores de la hoja. Además, NUNCA use una hoja tan gruesa que previene que la arandela de la hoja exterior se ajuste al lado plano del husillo. Hojas demasiado grandes o demasiado gruesas podrían resultar en un accidente y ocasionar lesiones graves.

6. Retire por completo el tornillo de sujeción del husillo "A" y la arandela "D" externa (ver la Fig. 2a).
7. La arandela restante es la arandela para buje que encaja alrededor del eje del husillo y no requiere ser retirada.
8. Coloque una gota de aceite sobre la arandela para buje interna y sobre la arandela "D" externa donde tocarán la hoja.
9. Levante el protector inferior de la hoja usando la palanca del protector de la hoja y manténgalo en posición levantada durante el paso siguiente.
10. Coloque la nueva hoja de sierra en el protector de hoja inferior, sobre el eje del husillo y contra el buje interno.

**NOTA:** Los dientes de la hoja deben apuntar hacia arriba en la parte delantera de la hoja según se muestra en la (Fig. 2a).

11. Coloque nuevamente la arandela "D".
12. Mantenga firmemente pulsado el botón de bloqueo del husillo mientras reemplaza el tornillo del husillo y apriételo a mano en dirección de las manecillas del reloj. Luego, use la llave de la hoja para apretar por completo el tornillo de sujeción del husillo.

**NOTA:** NUNCA use una hoja demasiado gruesa como para permitir que la arandela "D" entre en contacto con el lado plano del husillo.

### RETIRO DE LA HOJA (Figs. 2 y 2a)

1. Desenchufe la sierra.
2. Siga los pasos 2. al 6. de "INSTALACIÓN DE LA HOJA" y retire la hoja (ver la Fig. 2a).

## DESCRIPCIÓN

### CONOZCA SU SIERRA CIRCULAR (Fig. 3)

**NOTA:** Antes de intentar usar su sierra, familiarícese con todos las características operacionales y requerimientos de seguridad.

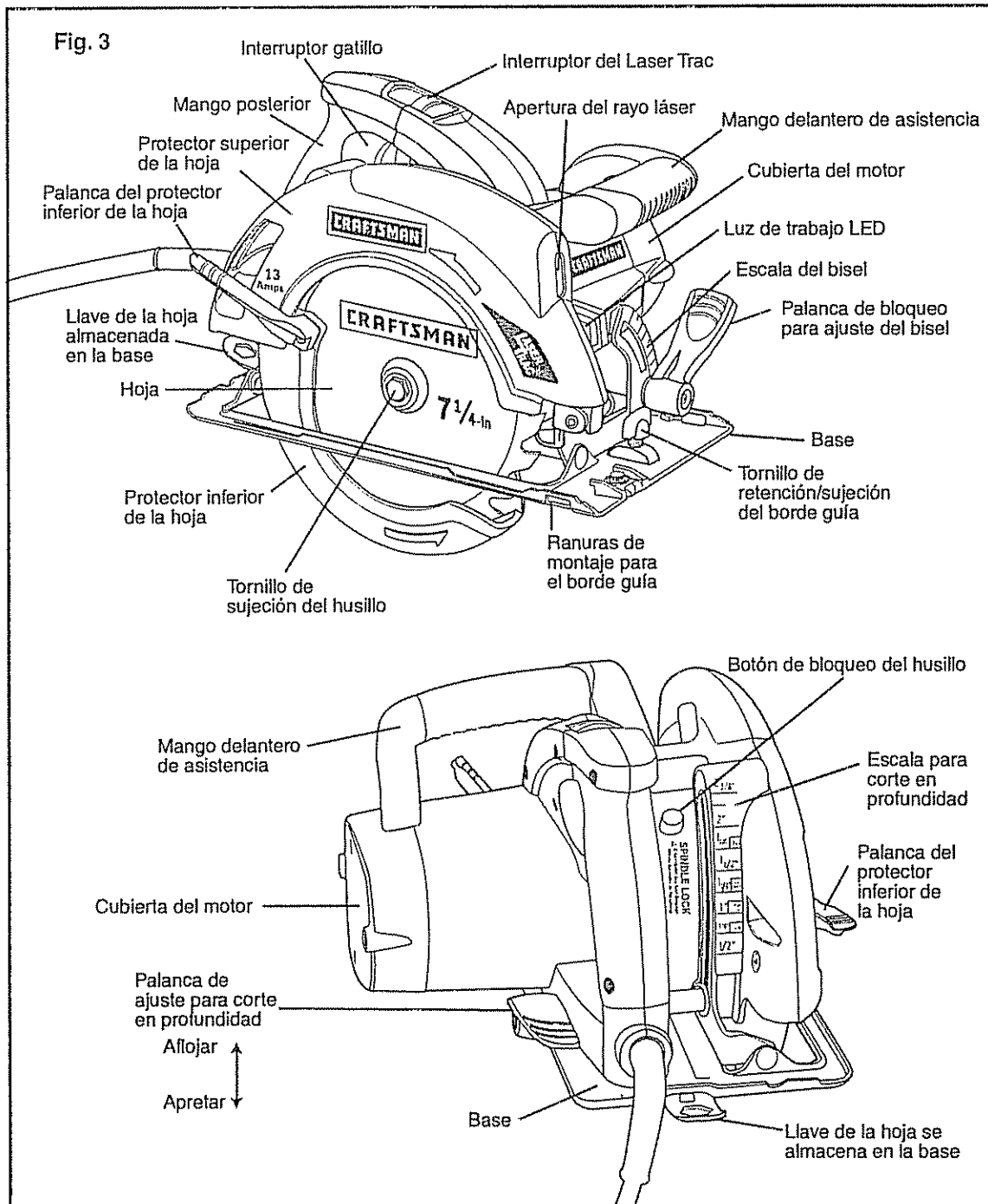
Su sierra circular cuenta con un motor eléctrico construido a precisión y sólo debe ser conectado a una fuente de alimentación de 120 voltios, 60-Hz AC SOLAMENTE (corriente normal del hogar). NO opere con corriente directa (DC). Esta gran caída en voltaje ocasionará pérdida de potencia y el motor se sobrecalentará. Si la sierra no funciona cuando se enchufa correctamente en una toma de 120 voltios, 60-Hz AC SOLAMENTE, verifique la fuente de alimentación. Esta sierra cuenta con un cordón de alimentación de 8 pies, 2 alambres (no requiere adaptador).

#### La Sierra Circular ofrece las siguientes características:

1. **Motor de 13 Amp, 5000 RPM (velocidad sin carga).** Ofrece fuerza y torque para cortes rápidos y seguros en madera, madera contrachapada, madera prensada y materiales a base de madera.
2. **Laser Trac™ ¡La exclusiva e innovadora característica para cortes precisos y eficientes!**
3. **LUZ DE TRABAJO LED** que ilumina el área de corte para mejor visibilidad. Esta luz permanece encendida cuando la sierra está enchufada a la fuente de alimentación
4. **Ajustes rápidos para profundidad de corte con una profundidad máxima de corte de:** 2 <sup>3</sup>/<sub>8</sub> pulgadas a 90°; 1 <sup>13</sup>/<sub>16</sub> pulgadas de espesor a 45°
5. **Escala para corte en bisel de fácil lectura** se ajusta para una capacidad de biselado desde 0° hasta 52°
6. **Protectores de la hoja de aluminio moldeado** para mayor fuerza y durabilidad.
7. **Interruptor gatillo de mayor longitud** para máximo control y confort. Apriételo para encender la sierra y libérela para apagarla.
8. **Grande base de acero sellado** que ofrece una superficie de trabajo estable para un mayor control de la sierra.
9. **Mango posterior y mango de asistencia delantero, contorneados y diseñados ergonómicamente,** de agarre suave para un agarre seguro, control, balance y confort.
10. **Incluye hoja de acero Craftsman® 24 dientes con punta de carburo de tungsteno para uso general.**
11. **Bloqueo superior del husillo de la hoja ensamblada** para cambios fáciles de la hoja.
12. **Incluye borde guía** para ayudar a producir cortes precisos.
13. **Conducto de eyección de aserrín** ayuda a dirigir el polvo y astillas lejos del operador.
14. **Rodamientos esféricos permanentemente lubricados al 100%** para un funcionamiento ininterrumpido y de larga duración.
15. **Engranajes maquinados duraderos** para una transmisión de energía eficiente.

# DESCRIPCIÓN cont.

La Sierra Circular ofrece las siguientes características cont.



## DESCRIPCIÓN cont.

ESPECIFICACIONES DEL PRODUCTO	
Entrada	13 Amps
Clasificación	120V, 60HZ AC
Velocidad sin carga	5000 RPM
Diámetro de la hoja	7 <sup>1</sup> / <sub>4</sub> pulgadas (184 mm)
Profundidad de corte a 90°	2 <sup>3</sup> / <sub>8</sub> pulgadas (60.33mm)
Profundidad de corte a 45°	1 <sup>13</sup> / <sub>16</sub> pulgadas (46.03 mm)
Ángulo máximo de biselado	52°

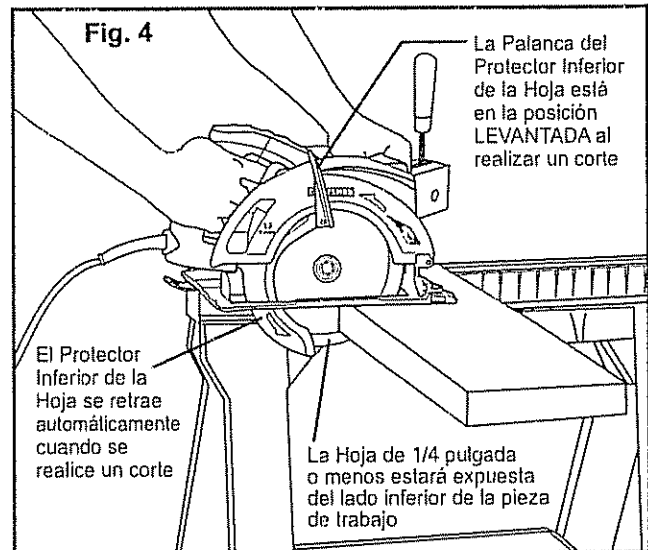
## FUNCIONAMIENTO

### HOJAS DE SIERRA

Toda hoja de sierra debe mantenerse limpia, afilada y ajustada adecuadamente para que corte eficientemente. El uso de una hoja sin filo pone tensión en exceso en la sierra e incrementa el peligro de rebote. Guarde hojas adicionales a la mano, para tener siempre hojas afiladas disponibles. La goma y pez negra endurecida sobre la hoja frena la sierra. Use removedor de goma y pez negra, agua caliente o kerosén para retirarlos. **NO** use gasolina.

### SISTEMA DE PROTECCIÓN DE LA HOJA (Fig. 4)

El protector inferior de la hoja, adherido a su sierra circular, está allí para su protección. **NUNCA** debe ser alterado por cualquier motivo. Si se llegara a dañar o comienza a girar lentamente, **NO** use su sierra hasta que el daño haya sido reparado o reemplazado. Deje **SIEMPRE** el protector en su posición correcta de funcionamiento cuando use la sierra.

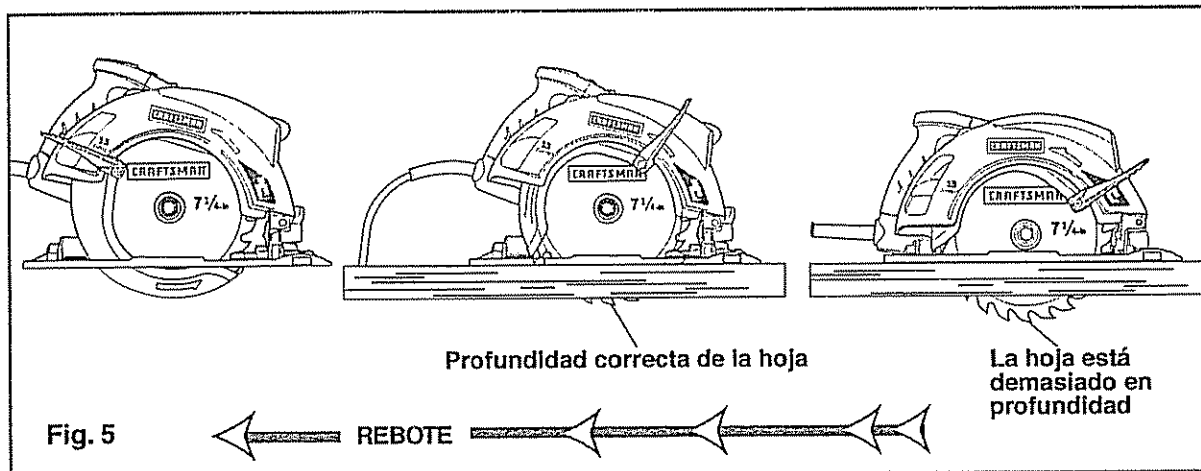


**⚠ PRECAUCIÓN:** **NUNCA** use la sierra cuando el protector no esté funcionando apropiadamente. El protector debe ser revisado para verificar su funcionamiento apropiado antes de cada uso. Si la sierra cae al piso, verifique si el protector inferior y parachoques han sufrido daños en toda su configuración de profundidad antes de usar la sierra. **NOTA:** El protector funciona apropiadamente cuando se mueve libremente y regresa prontamente a su posición cerrada. Si por cualquier motivo su protector de hoja inferior no se cierra libremente, lleve la sierra a su Centro de Reparación Sears más cercano antes de usarla.

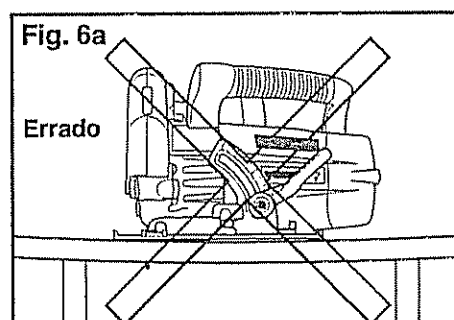
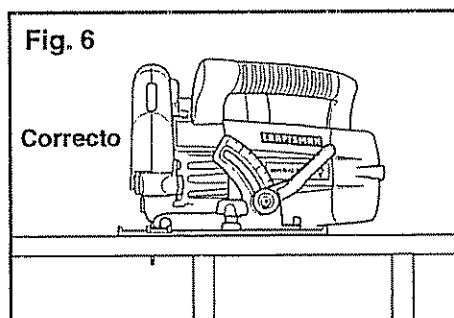
## FUNCIONAMIENTO cont.

### REBOTE...QUÉ LO OCASIONA Y CÓMO AYUDAR A PREVENIRLO (Fig. 5)

#### Las causas del rebote



- 1 El rebote es una reacción repentina debido a que la hoja de la sierra está presionada, se atasca o está mal alineada, lo cual ocasiona que la sierra descontroladamente se levante y salga de la pieza de trabajo, hacia atrás, hacia el operador.
- 2 Cuando la hoja está presionada o se atasca debido a que la línea de fractura se cierra, la hoja se atasca y la reacción del motor empuja la unidad rápidamente hacia atrás, hacia el operador.
- 3 Si la hoja se tuerce o está mal alineada durante el corte, los dientes en el borde posterior de la hoja pueden hundirse en la parte superior de la superficie de la madera. Esto ocasiona que la hoja escale hacia afuera de la línea de fractura y salte hacia atrás, hacia el operador.
- 4 Aserrar en nudos de la madera o clavos en la pieza de trabajo pueden ocasionar el Rebote.
- 5 Aserrar en madera mojada o deformada puede ocasionar el Rebote (ver la Fig. 6a).
- 6 Forzar un corte o no soportar la pieza de trabajo correctamente puede ocasionar un Rebote (ver la Fig. 6a).
- 7 El Rebote puede resultar del mal uso de la herramienta y/o procedimientos o condiciones de funcionamiento erradas. Puede evitarse al tomar las precauciones apropiadas que se lista a continuación.

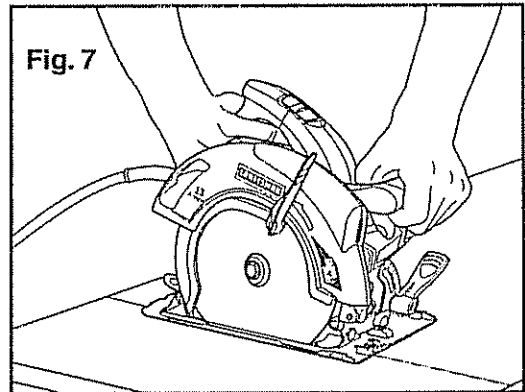


## FUNCIONAMIENTO cont.

### Maneras para prevenir el Rebote

**PELIGRO:** Libere SIEMPRE el interruptor gatillo si la hoja se atasca o si la sierra se bloquea. El rebote podría ocasionar que usted pierda el control de la sierra, resultando en lesiones graves.

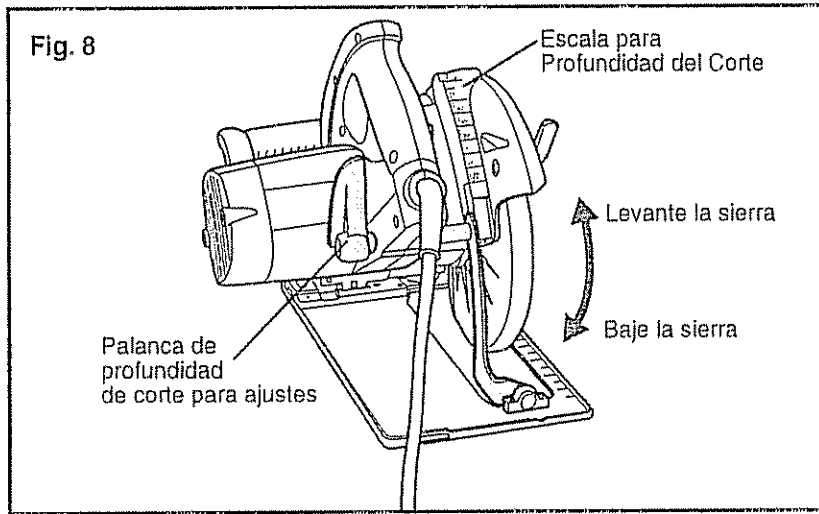
1. Mantenga SIEMPRE un agarre firme con ambas manos en la sierra (ver la Fig. 7) y posicione su cuerpo y brazos de manera tal que le permitan resistir las fuerzas del Rebote. Las fuerzas del Rebote pueden ser controladas por el operador, si se toman las precauciones apropiadas.
2. Si la hoja se atasca o si interrumpe un corte por cualquier motivo, libere SIEMPRE el gatillo y sostenga la sierra sin moverla en el material hasta que la hoja se detenga por completo. NUNCA intente retirar la hoja en movimiento, o podría ocurrir el Rebote. VERIFIQUE y tome las acciones correctivas para eliminar la causa de atascamiento de la hoja.
3. Inspeccione la pieza de trabajo para verificar si existe presencia de nudos o clavos antes de cortar. Nunca corte un nudo o clavo.
4. NO corte madera deformada o mojada (ver la Fig. 6a).
5. Soporte SIEMPRE paneles grandes para minimizar el riesgo de que la hoja quede apretada y Rebote. Los paneles grandes tienen la tendencia a combarse bajo su propio peso (ver la Fig. 6a) DEBE colocar soportes debajo del panel, uno cerca de la línea de corte y otro cerca del borde del panel (ver la Fig. 6).
6. Al reiniciar el corte en la pieza de trabajo, CENTRE la hoja en la línea de fractura y asegúrese que los dientes de la sierra no estén enganchados en el material. Si la hoja de la sierra se atasca, podría caminar hacia arriba o Rebotar desde la pieza de trabajo al encender nuevamente la sierra.
7. NO use hojas sin filo o dañadas. Las hojas sin filo, instaladas incorrectamente o engomadas producen líneas de fractura angostas que ocasionan una fricción excesiva, el atasco de la hoja y el Rebote.
8. MANTENGA la hoja en la configuración de profundidad correcta. La configuración de profundidad no debe exceder 1/4 pulgada debajo del material que se está cortando (ver la Fig. 5). ASEGÚRESE que la profundidad de la hoja y las palancas de bloqueo de ajuste estén apretadas y seguras ANTES de realizar el corte. Si el ajuste de la hoja se mueve durante el corte, podría ocasionar que la hoja se atasque y Rebote.
9. USE PRECAUCIÓN EXTRA al hacer un "Corte de Bolsillo" en paredes existentes u otras áreas ciegas. La hoja que sobresale podría cortar objetos que ocasionen el Rebote.



## FUNCIONAMIENTO cont.

### HACER AJUSTES DE LOS CORTES EN PROFUNDIDAD (Fig. 8)

Use **SIEMPRE** la configuración de profundidad de hoja correcta. La configuración de profundidad correcta de la hoja no debe ser más de 1/4 pulgada por debajo del material que se está cortando (ver la Fig. 5). Permitir una mayor profundidad incrementará la posibilidad de rebote y ocasionará que el corte no sea preciso. Su sierra está equipada con una escala para cortes en profundidad que ofrece una mayor precisión para la profundidad de corte. La escala para profundidad de corte está ubicada en la parte interna posterior del protector superior de la hoja.

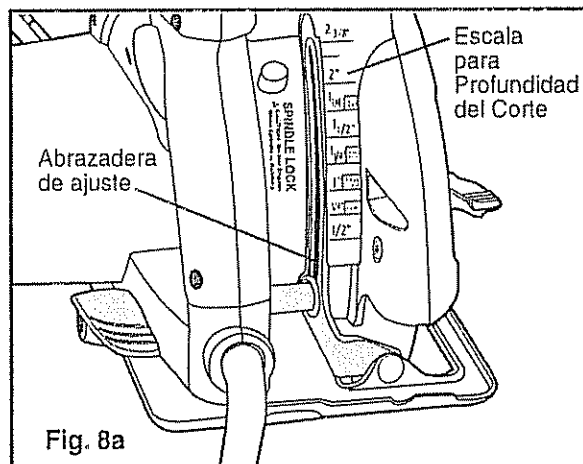


### PARA CONFIGURAR LA PROFUNDIDAD DE LA HOJA (Fig. 8a)

1. Desenchufe la sierra.

**⚠ ADVERTENCIA:** SIEMPRE desenchufe la sierra antes de hacer cualquier ajuste. No desenchufar la sierra podría resultar en que se encienda accidentalmente y ocasione lesiones personales graves.

2. Levante la palanca de ajuste de la profundidad de corte para aflojar la base (ver la Fig. 8).
3. Determine la profundidad de corte deseada.
4. Ubique la escala de profundidad de corte en la parte posterior del protector superior de la hoja (ver la Fig. 8a).
5. Sostenga la base de la sierra plana contra el borde de la pieza de trabajo y levante o baje la sierra hasta que la marca del indicador en la abrazadera quede alineado con la muesca en el protector de la hoja a la marca de profundidad de corte deseada.
6. Apriete la palanca de ajuste de la profundidad de corte.



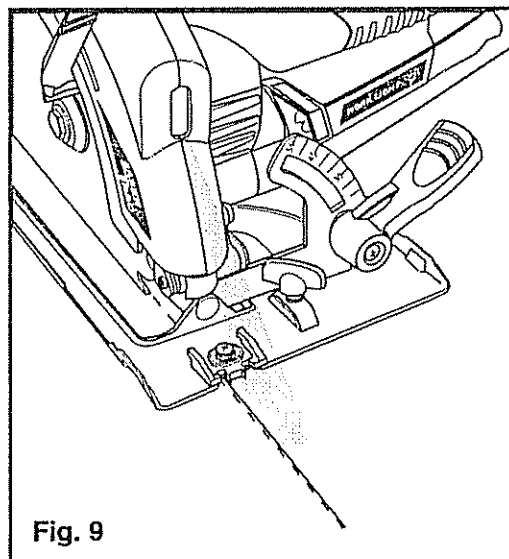
## **FUNCIONAMIENTO cont.**

### **USO DEL RAYO LÁSER LASER TRAC™ (Fig. 9)**

**⚠ ADVERTENCIA: RAYO LÁSER. RADIACIÓN LÁSER.** Evite la exposición directa de los ojos. NO mire fijamente al rayo. Sólo encienda el rayo láser cuando la sierra esté sobre la pieza de trabajo. Láser Clase IIIa.

**NOTA:** Su sierra circular está equipada con un rayo láser integrado. Para activar el interruptor del rayo láser, la sierra debe estar enchufada a la fuente de alimentación

1. NO encienda el rayo láser hasta que la sierra esté sobre la pieza de trabajo.
2. Marque la línea de corte sobre la pieza de trabajo.
3. Ajuste el ángulo de corte y profundidad de corte según se requiera.
4. Enchufe la sierra y empuje hacia adelante el interruptor del rayo láser para encender el láser.
5. Alinee el rayo láser con la línea de corte (ver la Fig. 9)
6. Apriete el interruptor gatillo y lentamente empuje la sierra hacia adelante usando ambas manos. Mantenga el rayo láser rojo sobre la línea de corte.
7. Apague siempre el rayo láser cuando haya terminado de cortar.



**Fig. 9**

**⚠ PRECAUCIÓN:** Las gafas de seguridad para mejoramiento del láser que se incluyeron mejorarán la visualización del rayo láser en condiciones de luz brillante. NO use las gafas si estas interfieren con el funcionamiento seguro de la sierra

### **LUZ DE TRABAJO LED**

Su sierra circular cuenta con una luz de trabajo integrada para una mejor visibilidad al cortar. Esta luz está siempre encendida cuando la sierra está enchufada a la fuente de alimentación.

## FUNCIONAMIENTO cont.

### COMENZAR A CORTAR (Fig. 10)

**⚠ ADVERTENCIA:** Sujete y soporte SIEMPRE la pieza de trabajo de manera segura. Mantenga SIEMPRE control adecuado sobre la sierra. No sujetar y soportar la pieza de trabajo y la pérdida de control sobre la sierra podrían resultar en lesiones graves.

1. **SIEMPRE** use su sierra con las manos posicionadas de manera correcta, con una mano operando el interruptor gatillo y la otra sobre el mango delantero de asistencia (ver la Fig. 10).

**⚠ ADVERTENCIA:** Mantenga SIEMPRE el control apropiado sobre la sierra para asegurar un aserrado más seguro y fácil. La pérdida de control sobre la sierra podría ocasionar accidentes que resulten en posibles lesiones graves.

2. **NUNCA** use la sierra con sus manos posicionadas como se muestra en la Fig. 11

Para ayudarle a mantener el control:

3. **SIEMPRE** soporte la pieza de trabajo cerca del corte.
4. **SIEMPRE** soporte la pieza de trabajo de manera tal que el corte quede a su derecha.
5. **SIEMPRE** sujete la pieza de trabajo para que no se mueva durante el corte. Coloque la pieza de trabajo con el lado bueno hacia abajo.

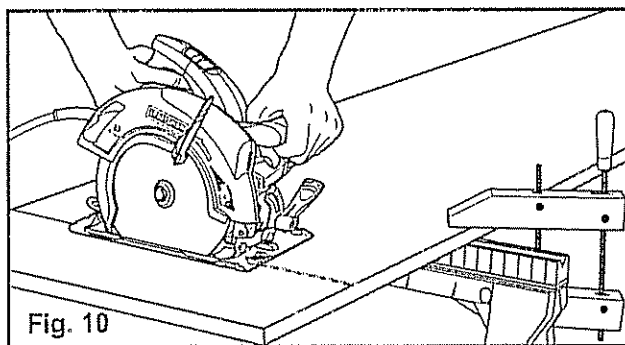


Fig. 10

**NOTA:** El lado bueno de la pieza de trabajo es el lado del cual la apariencia es importante.

6. Antes de comenzar a cortar, dibuje una línea guía a lo largo de la línea de corte deseada, luego coloque el borde delantero de la base de la hoja sobre esa parte de la pieza de trabajo que esté sólidamente soportada (ver la Fig. 10).
7. **NUNCA** coloque la sierra sobre la parte de la pieza de trabajo que se caerá al realizar el corte (ver la Fig. 11).
8. **SIEMPRE** mantenga el cordón alejado del área de corte. **SIEMPRE** coloque el cordón de manera tal que no cuelgue sobre la pieza de trabajo cuando esté realizando el corte.
9. **Sostenga la sierra firmemente con ambas manos** (ver la Fig. 7).

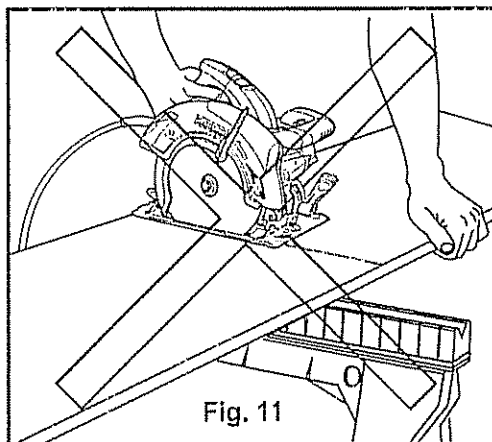


Fig. 11

**⚠ ADVERTENCIA:** Si el cordón cuelga sobre la pieza de trabajo durante el corte, libere de inmediato el interruptor gatillo. Para evitar lesiones, desenchufe la sierra y mueva el cordón para prevenir que cuelgue nuevamente.

**⚠ PELIGRO:** Usar la sierra con un cordón dañado podría resultar en lesiones graves o muerte. Si el cordón está dañado, hágalo reemplazar antes de usar nuevamente la sierra.

## FUNCIONAMIENTO cont.

### Para ayudarle a mantener el control cont.:

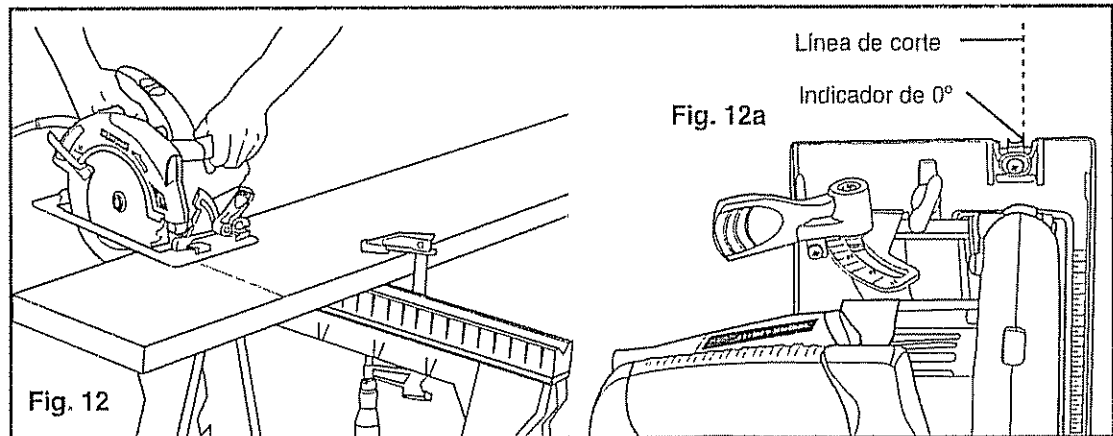
10. Apriete el gatillo para encender la sierra. **SIEMPRE** permita que la hoja alcance su máxima velocidad antes de comenzar a cortar en la pieza de trabajo
11. Al hacer el corte, **SIEMPRE**, aplique una presión estable y equitativa. Forzar la sierra producirá cortes imprecisos y podría acortar la vida útil de la sierra u ocasionar el Rebote.
12. Una vez finalizado el corte, libere el gatillo y deje que la hoja se detenga por completo. **NO** retire la sierra de la pieza de trabajo mientras la hoja continúe en movimiento.

**PELIGRO:** Al aserrar una pieza de trabajo, el protector inferior de la hoja **NO** cubre la parte inferior de la hoja que sobresale de la pieza de trabajo (ver la Fig. 4, página 17). Mantenga **SIEMPRE** sus manos y dedos lejos del área de corte. Cualquier parte de su cuerpo que entre en contacto con la hoja en movimiento podría resultar en lesiones graves.

### HACIENDO CORTES CRUZADOS Y CORTES AL FILO (Figs. 12 y 12a)

**ADVERTENCIA:** Sujete y soporte **SIEMPRE** la pieza de trabajo de manera segura. Mantenga **SIEMPRE** control adecuado sobre la sierra. No sujetar y soportar la pieza de trabajo y la pérdida de control sobre la sierra podrían resultar en lesiones graves.

1. **SIEMPRE** use su sierra con las manos posicionadas correctamente (ver la Fig. 12).



**ADVERTENCIA:** Mantenga **SIEMPRE** el control apropiado sobre la sierra para asegurar un aserrado más seguro y fácil. La pérdida de control sobre la sierra podría ocasionar accidentes que resulten en posibles lesiones graves.

2. Al hacer cortes cruzados o cortes al filo, alinee la línea de corte con el lado derecho de la muesca al lado del indicador 0 (ver la Fig. 12a).
3. En vista que el espesor de las hojas varía, **HAGA UN CORTE DE PRUEBA** en material de desecho a lo largo de la línea guía para determinar de cuánto debe separar, si es el caso, la hoja de la línea guía para permitir que la línea de fractura de la hoja produzca un corte preciso.

## FUNCIONAMIENTO cont.

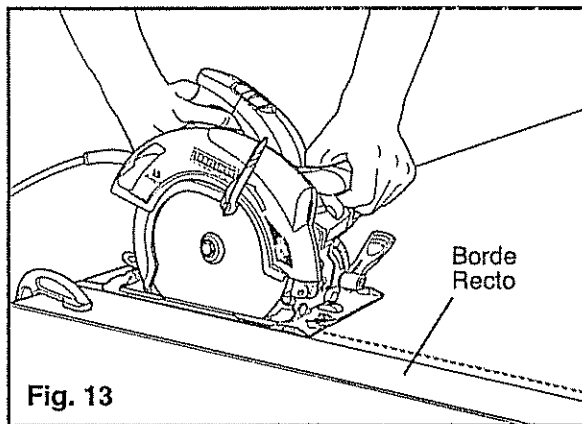
### HACER CORTES AL FILO

**SIEMPRE** use una guía al hacer cortes al filo largos o anchos con su sierra. Puede usar un borde recto o usar la guía de borde que se incluyó con su sierra.

### USO DE UN BORDE RECTO (Fig. 13)

**⚠ ADVERTENCIA:** Sujete y soporte **SIEMPRE** la pieza de trabajo de manera segura. Mantenga **SIEMPRE** control adecuado sobre la sierra. No sujetar y soportar la pieza de trabajo y la pérdida de control sobre la sierra podrían resultar en lesiones graves.

1. Puede hacer una guía para corte al filo eficiente sujetando un borde recto a su pieza de trabajo.
2. Cuidadosamente, guíe la sierra a lo largo del borde recto para obtener un corte al filo recto (ver la Fig. 13)
3. **SIEMPRE DEJE QUE LA HOJA ALCANCE SU MÁXIMA VELOCIDAD,** luego cuidadosamente guíe la sierra en la pieza de trabajo. **NO atasque la hoja en el corte.** Empuje la sierra hacia adelante a una velocidad a la cual la hoja no esté trabajando en exceso.



### INSTALACIÓN Y USO DE LA GUÍA DE BORDE (Figs. 14 y 14a)

Su sierra viene con una guía de borde de 7 1/2 pulgadas de largo en la guía de borde. Esta le permite hacer cortes paralelos precisos al darle acabado a su pieza de trabajo. La misma se sujeta a la base de la sierra. El brazo de la guía de borde está estampado de 0 a 7 pulgadas con incrementos de 1/8 de pulgada y 18 centímetros con incrementos de 1 mm para fácil ajuste de su corte.

1. Desenchufe la sierra

**⚠ ADVERTENCIA:** **SIEMPRE** desenchufe la sierra antes de hacer cualquier ajuste. No desenchufar la sierra podría resultar en que esta se encienda accidentalmente, lo cual podría ocasionar lesiones personales graves.

2. Posicione la guía de borde de manera tal que el brazo con los incrementos en pulgadas esté de cara hacia arriba. Deslice el brazo de la guía de borde en las ranuras de montaje en la parte delantera de la base de la sierra (ver la Fig. 14).
3. Ajuste la guía de borde a la longitud de corte deseada.
4. Apriete la guía de borde con el tornillo de sujeción
5. Sujete y soporte la pieza de trabajo de manera segura antes de realizar el corte.

## FUNCIONAMIENTO cont.

### INSTALACIÓN Y USO DE LA GUÍA DE BORDE (Figs. 14 y 14a) cont.

6. Coloque la guía de borde firmemente contra el borde de la pieza de trabajo (ver la Fig 14a). Hacer esto le dará un corte verdadero sin apretar la hoja.
7. **ASEGÚRESE** de que el borde guía de la pieza de trabajo esté recta para obtener un corte
8. **PERMITA SIEMPRE QUE LA HOJA ALCANCE SU MÁXIMA VELOCIDAD**, luego cuidadosamente guíe la sierra en la pieza de trabajo. **NO atasque la hoja en el corte**. Empuje la sierra hacia adelante a una velocidad a la cual la hoja no esté trabajando en exceso.

Fig. 14

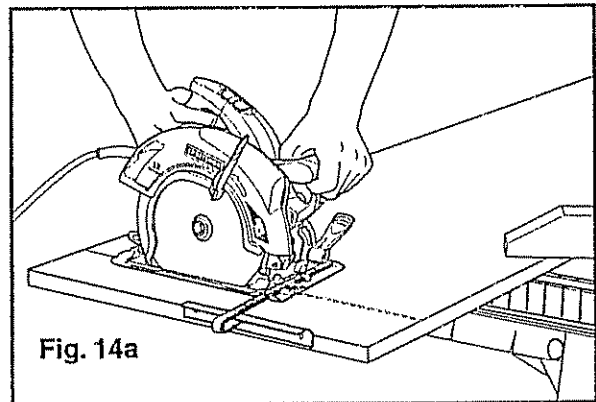
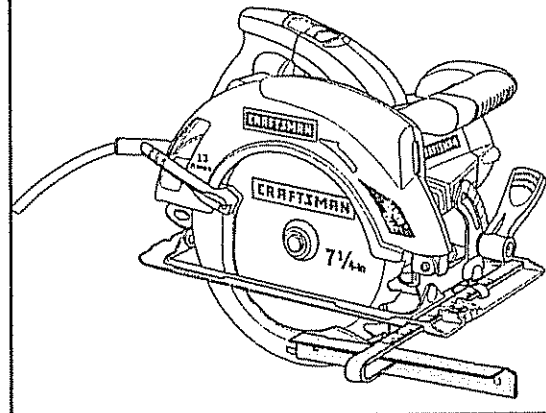


Fig. 14a

### CÓMO CONFIGURAR EL ÁNGULO DEL BISEL (Fig. 15)

1. Desenchufe la sierra.

**⚠ ADVERTENCIA:** SIEMPRE desenchufe la sierra antes de hacer cualquier ajusta. No desenchufar la sierra podría resultar en que esta se encienda accidentalmente, lo cual podría ocasionar lesiones personales graves

2. Afloje la palanca de ajuste del bisel (ver la Fig.15).
3. Levante el extremo de la cubierta del motor de la sierra hasta que alcance el ángulo deseado en la escala del bisel.
4. Apriete la palanca de ajuste del bisel de manera segura

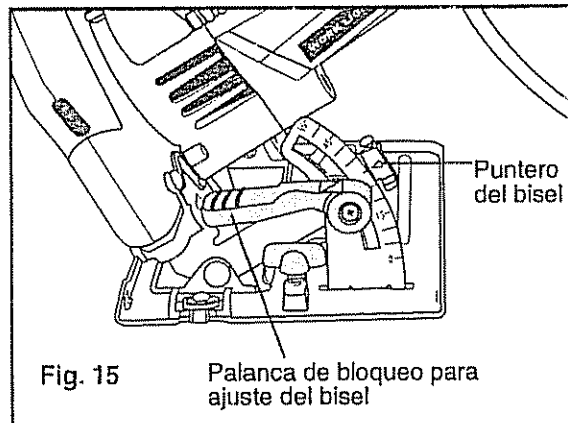


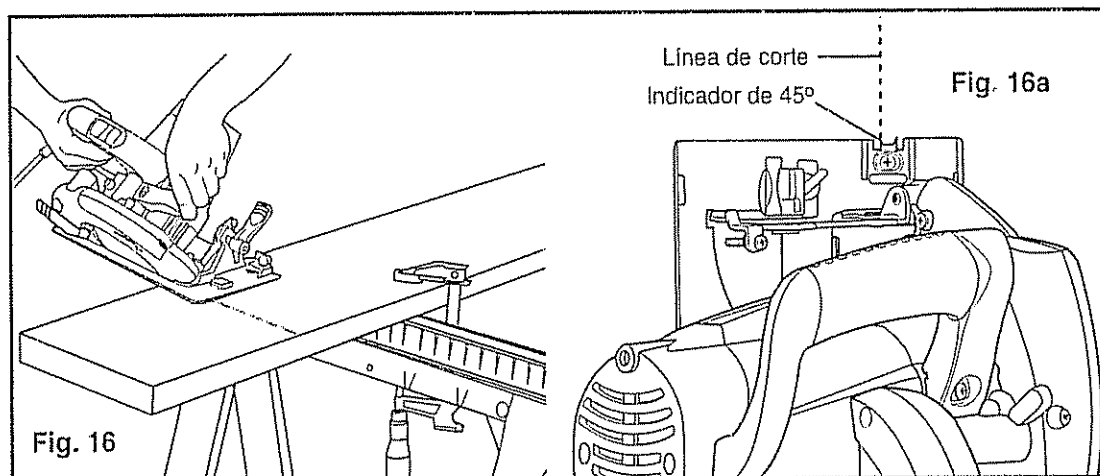
Fig. 15

Palanca de bloqueo para ajuste del bisel

Puntero del bisel

## FUNCIONAMIENTO cont.

### HACIENDO CORTES BISELADOS (Figs. 16 y 16a)



**⚠ ADVERTENCIA:** Sujete y soporte SIEMPRE la pieza de trabajo de manera segura. Mantenga SIEMPRE control adecuado sobre la sierra. No sujetar y soportar la pieza de trabajo y la pérdida de control sobre la sierra podrían resultar en lesiones graves.

1. Su sierra puede ajustarse para cortar a cualquier ángulo entre 0° y 52°. Al hacer cortes biselados de 45°, existe una muesca en la base de la sierra para ayudarle a alinear la hoja con la línea de corte (ver la Fig. 16a).
2. Alinee su línea de corte con el lado izquierdo de la muesca al lado del indicador de 45° al hacer cortes de bisel de 45°.
3. En vista que el espesor de las hojas varía, **HAGA UN CORTE DE PRUEBA** en material de desecho a lo largo de la línea guía para determinar de cuánto debe separar, si es el caso, la hoja de la línea guía para permitir que la línea de fractura de la hoja produzca un corte preciso.
4. Al realizar un corte de bisel **SOSTENGA** la sierra **FIRMEMENTE** con ambas manos (ver la Fig. 16).
5. Reestablezca el borde delantero de la base de la pieza de trabajo, luego apriete el gatillo para encender la sierra. **SIEMPRE** permita que la hoja alcance su máxima velocidad, luego guíe la sierra en la pieza de trabajo.
6. Una vez completado el corte, libere el interruptor gatillo y permita que la hoja se detenga por completo en el corte. **NO** retire la sierra de la pieza de trabajo mientras la hoja continúe en movimiento. Dañaría su corte en bisel y podría ocasionar el Rebote.

**⚠ ADVERTENCIA:** Si la hoja entra en contacto con la pieza de trabajo antes de alcanzar su máxima velocidad, podría ocasionar que la sierra rebote hacia usted, resultando en posibles lesiones graves.

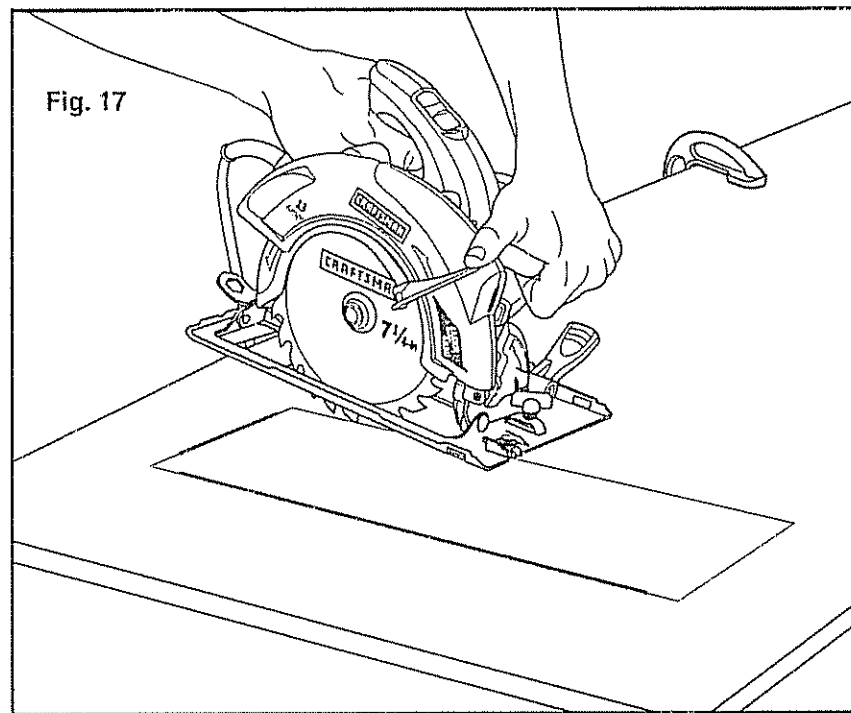
## FUNCIONAMIENTO cont.

### HACIENDO CORTES DE BOLSILLO (Fig. 17)

**⚠ ADVERTENCIA:** SIEMPRE ajuste la configuración del bisel en cero antes de hacer un corte de bolsillo. Intentar un corte de bolsillo en cualquier otra configuración podría resultar en pérdida de control de la herramienta y consiguientes lesiones graves.

- 1 Ajuste en cero la configuración del bisel, establezca la configuración de profundidad correcta de la hoja, luego use la palanca del protector inferior de la hoja para oscilar el protector hacia arriba

**⚠ ADVERTENCIA:** SIEMPRE levante el protector inferior de la hoja desde la palanca para evitar lesiones graves.



2. Mientras sostiene el protector inferior de la hoja hacia arriba desde la palanca, descansa la parte delantera de la base de la hoja plana contra la pieza de trabajo con el mango posterior levantado para que la hoja no toque la pieza de trabajo (ver la Fig. 17).
3. Apriete el interruptor gatillo para encender la sierra. **SIEMPRE** permita que la hoja alcance su máxima velocidad. luego lentamente baje la hoja sobre la pieza de trabajo hasta que la base esté plana contra la pieza de trabajo **A MEDIDA** que la hoja penetra en el material, usted **DEBE** liberar la palanca del protector inferior de la hoja.
4. Una vez completado el corte, libere el gatillo y permita que la hoja se detenga por completo. Una vez detenida la hoja, retírela de la pieza de trabajo. Si las esquinas de su bolsillo no se han cortado por completo, use una sierra manual para darle el acabado a las esquinas

**⚠ ADVERTENCIA:** NUNCA amarre el protector inferior de la hoja en posición levantada. Dejar la hoja expuesta podría resultar en lesiones graves.

## AJUSTES

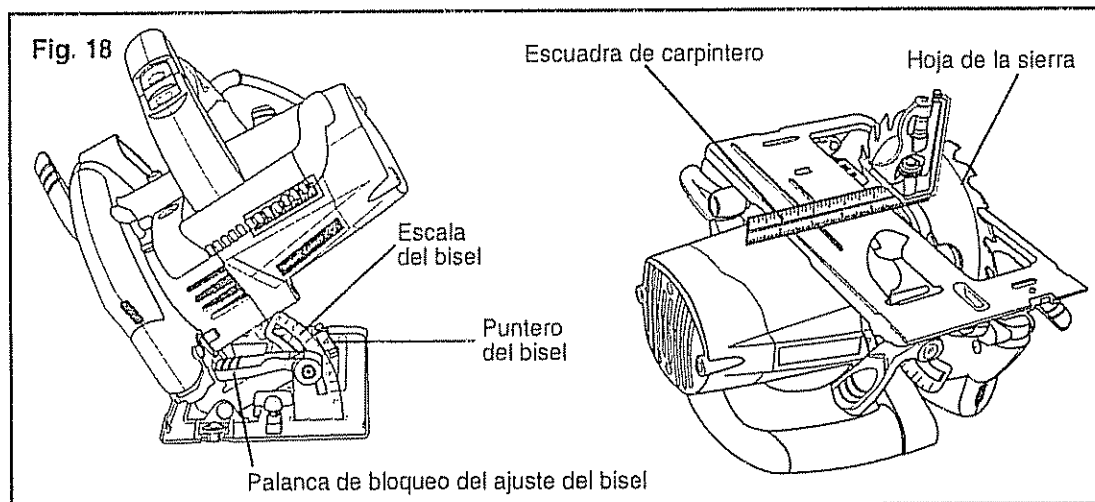
### PARADA SEGURA DEL BISEL A 0°

Su sierra está equipada con una parada segura del bisel a 0° el cual fue ajustado en la fábrica para asegurar un ángulo de 0° de la hoja de la sierra para cortes a 90°. Sin embargo, el transporte podría ocasionar una pérdida de alineación.

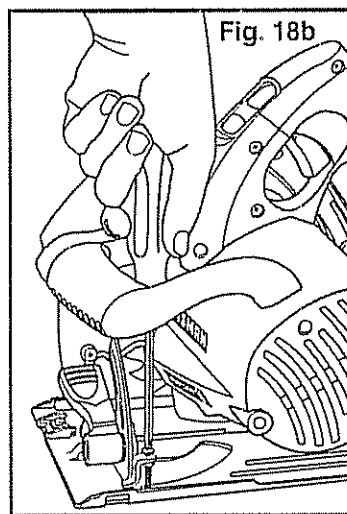
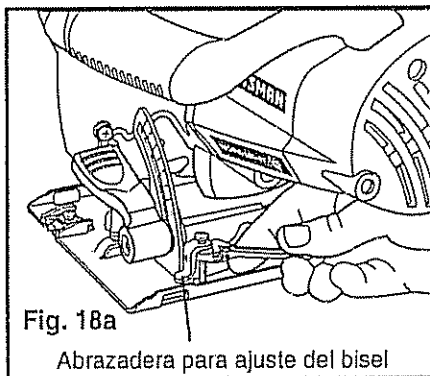
### CÓMO CORREGIR EL AJUSTE DEL ÁNGULO DE 0° (Figs. 18, 18a y 18b)

1. Desenchufe la sierra.


**⚠ ADVERTENCIA:** SIEMPRE desenchufe la sierra antes de hacer cualquier ajuste. No desenchufar la sierra podría resultar en que esta se encienda accidentalmente, lo cual podría ocasionar lesiones personales graves




2. Coloque la sierra en posición invertida hacia abajo sobre el banco de trabajo.
3. Use una escuadra de carpintero para verificar si la hoja de la sierra está cuadrada en relación a la base de su sierra.
4. Si la sierra no está cuadrada, afloje la palanca de bloqueo del ajuste del bisel (ver la Fig. 18).
5. Afloje la tuerca de bloqueo de ajuste del bisel girándola en sentido contrario a las manecillas del reloj, lejos de la abrazadera de ajuste del bisel, con una llave pequeña (ver la Fig. 18a).
6. Use un destornillador Phillips para girar el tornillo de ajuste del bisel hacia arriba o hacia abajo para ajustar la base hasta que cuadre con la hoja (ver la Fig. 18b).
7. Una vez cuadrada la base, apriete la tuerca girándola en sentido de las manecillas del reloj hasta que esté ajustada contra la abrazadera de ajuste del bisel.
8. Apriete la palanca de ajuste del bisel.




## AJUSTES cont.


 **ADVERTENCIA:** Intentar hacer cortes sin que la palanca de ajuste del bisel esté apretada de manera segura podría resultar en lesiones graves.

## MANTENIMIENTO


 **ADVERTENCIA:** Para asegurar seguridad y confiabilidad, toda reparación debe ser realizada por técnicos calificados en un Centro de Servicio Sears.

 **ADVERTENCIA:** Para su seguridad, apague SIEMPRE el interruptor y desenchufe la sierra circular de la fuente de alimentación antes de realizar cualquier mantenimiento o limpieza.

Se ha encontrado que las herramientas eléctricas están sujetas a desgaste y fallas prematuras cuando se utilizan sobre botes de fibra de vidrio y autos deportivos, tablaroca, compuesto de relleno o yeso. Las astillas y residuos de estos materiales son altamente abrasivos para la piezas de herramientas eléctricas, tales como rodamientos, cepillos, conmutadores, etc. Consecuentemente, no se recomienda que esta herramienta sea utilizada para trabajos extensos sobre cualquier material de fibra de vidrio, tablaroca, compuesto de relleno o yeso. Durante cualquier uso sobre estos materiales, es extremadamente importante que la herramienta sea limpiada con frecuencia usando un propulsor de aire.

 **ADVERTENCIA:** Use siempre gafas de seguridad con protectores laterales al operar herramientas eléctricas, o al soplar polvo. Si la operación es polvorienta, use también una mascarilla antipolvo.

## MANTENIMIENTO DE RUTINA

 **ADVERTENCIA:** NUNCA deje que fluido de frenos, gasolina, productos a base de petróleo, aceites penetrantes, etc. entren en contacto con las piezas plásticas. Los químicos pueden dañar, debilitar o destruir el plástico, lo cual podría resultar en lesiones personales graves.

El mantenimiento periódico permite una vida útil larga y un funcionamiento libre de problemas. Mantenga un cronograma de limpieza, lubricación y mantenimiento. Como práctica de mantenimiento preventivo común, siga los siguientes pasos recomendados:

1. Al finalizar el trabajo, limpie la herramienta para permitir un funcionamiento ininterrumpido de la herramienta a lo largo del tiempo.
2. Use paños limpios y húmedos para limpiar la herramienta.
3. Verifique el estado de todos los cables eléctricos.
4. Mantenga las aberturas del motor libres de aceite, grasa y aserrín o astillas y guarde la herramienta en un lugar seco.
5. Asegúrese que todas las piezas móviles estén bien lubricadas, particularmente después de una larga exposición a condiciones húmedas y/o sucias.

## MANTENIMIENTO cont.

### LUBRICACIÓN

Todos los rodamientos en esta herramienta han sido lubricados con lubricante de alto grado suficiente para la vida útil de la herramienta en condiciones normales de operación. Por lo tanto, no se requiere de ulterior lubricación.

## DETENCIÓN Y RESOLUCIÓN DE PROBLEMAS


### Si la hoja no sigue una línea recta:

- Los dientes están sin filo. Esto es producto de golpear objetos duros tales como clavos, lo cual hace que los dientes pierdan el filo de un lado. La hoja tiende a cortar del lado con los dientes más afilados.
- La base está fuera de línea o doblada.
- La hoja está doblada.
- La guía de borde o guía recta no se está usando.

### Si la hoja se atasca o emite humo producto de la fricción:

- La hoja no tiene filo.
- La hoja está al revés
- La hoja está doblada
- La pieza de trabajo no está soportada adecuadamente.
- Se está usando una hoja inadecuada.

## ACCESORIOS

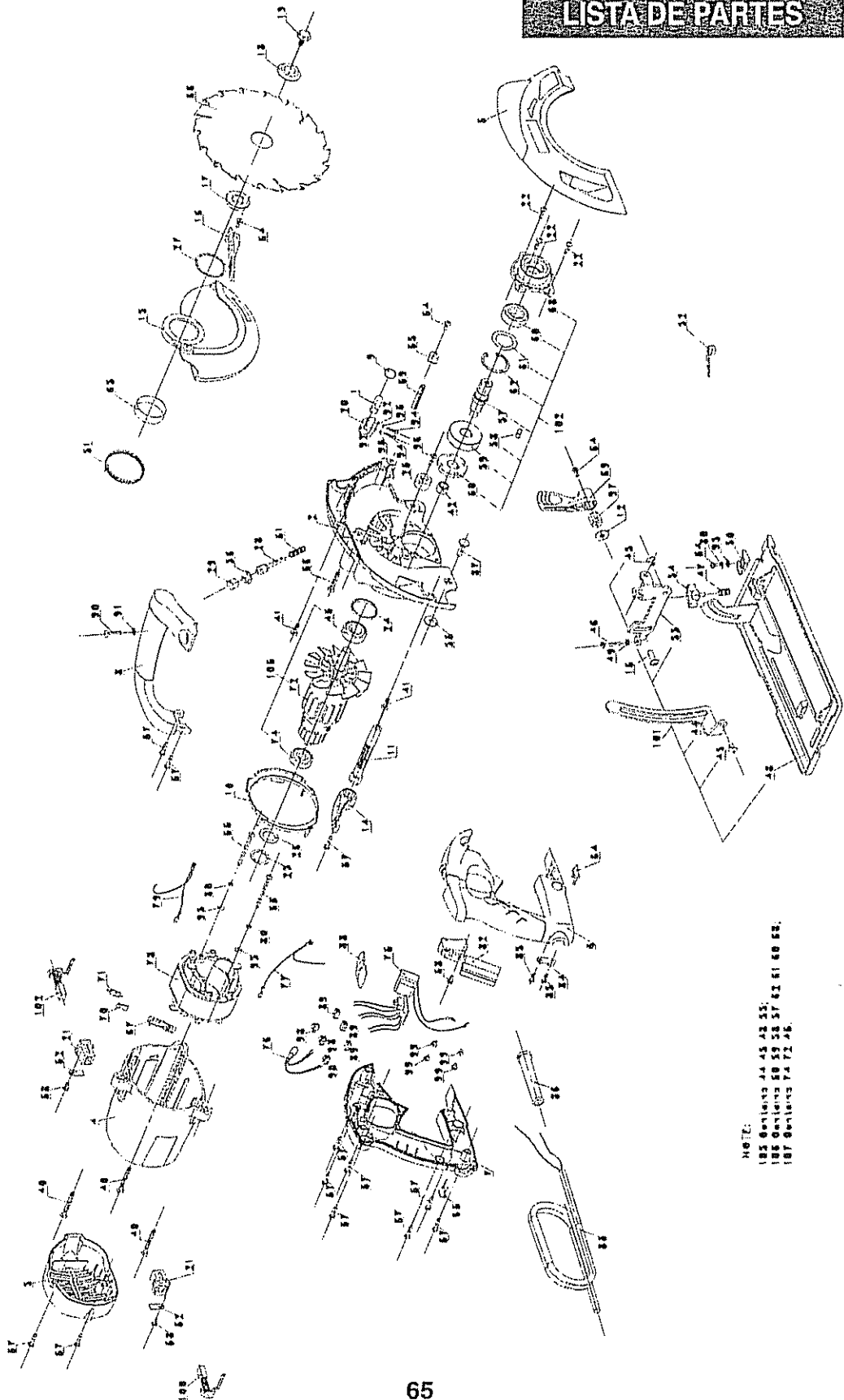
 **ADVERTENCIA:** El uso de conexiones o accesorios no recomendados para esta herramienta podrían ser peligrosos y podrían resultar en lesiones graves.

Sears y otros puntos de venta Craftsman cuenta con una amplia selección de hojas de 7 1/4 pulgadas Craftsman de acero con dientes con punta de carburo de tungsteno, diseñadas para aplicaciones específicas de corte. También existen disponibles empaques a granel para contratistas.

Sears y otros puntos de venta Craftsman también ofrecen cabrillas, escuadras de encofrado y combinadas, bordes rectos, guías de borde y una gran variedad de abrazaderas para ayudarle con todas sus necesidades de aserrado.

Visite su tienda local Sears u otro punto de venta Craftsman o compre por Internet en [sears.com/craftsman](http://sears.com/craftsman).

# LISTA DE PARTES



NOTE:  
182 Oaxlans 44 45 42 53.  
188 Oaxlans 59 58 57 41 61 60 62.  
187 Oaxlans 74 72 46.



**LISTA DE PARTES cont.****Sierra Circular de 7 1/4 pulgadas – MODELO NO. 320.10871**

El Número del Modelo se encuentra en la Placa de Identificación. Mencione siempre el Número del Modelo en toda correspondencia acerca de su herramienta.

No. Ítem	No. Parte	Descripción de la Parte	Cant.
1	2780040000	Set del láser	1
2	3420333000	Estuche de engranajes	1
3	3420335000	Protector superior	1
4	3121339000	Cubierta del motor	1
5	3121340000	Cubierta posterior	1
6	3320220000	Mango derecho	1
7	3320219000	Mango izquierdo	1
8	3320221000	Mango delantero	1
9	3121384000	Lente	1
10	3121341000	Deflector del ventilador	1
11	3400174000	Varilla de bloqueo	1
12	5650017000	Arandela plana GB96-85 6 A140	1
13	5640151000	Tuerca	1
14	3121378000	Palanca de ajuste de profundidad	1
15	3420334000	Protector móvil	1
16	3121379000	Palanca del protector móvil	1
17	3550225000	Brida interior	1
18	3550222000	Abrazadera	1
19	5620151000	Tornillo bridado	1
20	3420184000	Bloque de ajuste	1
21	2800006000	Portacepillo	2
22	5610094000	Tornillo roscador GB6560-86 4X16	3
23	3121051000	Tope	1
24	3121057000	Aro de goma	1
25	3121054000	Resorte	1
26	3700255000	Arandela	1
27	5660030000	Arandelas de retención para el eje	1
28	3550238000	Eje de bloqueo	1
29	3120560000	Botón	1
30	3550240000	Anillo de bloqueo	1
31	3660072000	Resorte	1
32	3700539000	Tabla Epoxy	2
33	5610048000	Tornillo roscador GB845-85 4.2X55-F	2
34	5620039000	Tornillo GB818-85 M4 X 10	4
35	3700262000	Porta cables	1
36	5610061000	Tornillo roscado GB6560-86 5_30	1
37	5610042000	Tornillo roscador GB845-85 ST4.2x19-F-H	12
38	5610053000	Tornillo roscador GB845-85 4.2x9.5-F	3
39	5670008000	Perno a resorte GB879-86 6x40	1
40	5610062000	Tornillo roscado GB6560-86 M5_40	3

**LISTA DE PARTES cont.****Sierra Circular de 7 1/4 pulgadas – MODELO NO. 320.10871**

El Número del Modelo se encuentra en la Placa de Identificación Mencione siempre el Número del Modelo en toda correspondencia acerca de su herramienta.

No. Ítem	No. Parte	Descripción de la Parte	Cant.
41	5610057000	Tornillo roscado	2
42	5700041000	Rodamiento a aceite	1
43	5700015000	Rodamiento esférico GB/T276-94 6201-2RD	1
44	3700780000	Abrazadera para profundidad	1
45	5680009000	Remache GB873-86 6x16	2
46	5620044000	Tornillo roscado GB6561-86 M4x12	1
47	3660071000	Resorte	1
48	3700278000	Placa base	1
49	5630001000	Soporte de profundidad	1
50	3120562000	Indicador de ángulo	1
51	3700663000	Tornillo GB818-85 M4_6	
52	3700865000	Soporte del ángulo	
53	5650053000	Arandela	1
54	3400011000	Tuerca de mariposa	1
55	3700280000	Placa de soporte	1
56	5660010000	Anillo E GB896-86 9	1
57	3550239000	Eje del engranaje	1
58	5680004000	Llave plana GB1096-79 5x14	1
59	3550235000	Engranaje	1
60	5700019000	Rodamiento esférico GB_T276-94 6003-2RS	1
61	3700281000	Arandela de presión	1
62	5660023000	Arandela de retención para orificio GB893.1-86 35	1
63	3121475000	Cubierta del Indicador de Alimentación (Izquierda)	1
64	3121424000	Cubierta del Indicador de Alimentación (Derecha)	1
65	3700586000	Revestimiento	1
66	3810073000	Hoja	1
67	3121381000	Cubierta del LED	1
68	3420311000	Cubierta del estuche de engranaje	1
69	3121380000	Palanca de ángulo	1
70	3121382000	Soporte1 del LED	1
71	3121383000	Soporte2 del LED	1
72	2750160000	Rotor	1
73	2821947000	Ensamblaje del transformador	1
74	5700013000	Rodamiento esférico GB_T276-94 6000-2Z	1
75			
76	4360221000	LED	1
77	2821992000	Alambre1 interno	1
78	2740066000	Estator	1
79	2821992000	Alambre2 interno	1
80	5650007000	Arandela de resorte GB93-87 4	3

**LISTA DE PARTES conl.****Sierra Circular de 7 1/4 pulgadas – MODELO NO. 320.10871**

El Número del Modelo se encuentra en la Placa de Identificación. Mencione siempre el Número del Modelo en toda correspondencia acerca de su herramienta.

No. Ítem	No. Parte	Descripción de la Parte	Cant.
81			
82	4870036000	Interruptor	1
83	4810002000	Cordón y enchufe de alimentación	1
84	3700367000	Anclaje del cordón	1
85	5610093000	Tornillo roscador JIS M4_12	2
86	3121050000	Protector del cordón	1
87			
88	3121385000	Botón del láser	1
89	4930012000	Terminal	3
90	5610059000	Tornillo roscado GB6560-86 M5_20	1
91	5650013000	Arandela plana GB97.1-85 5	1
92	5650001000	Arandela plana GB97.1-85 3	2
93	5650003000	Arandela de resorte GB93-87 3	2
94	5620006000	Tornillo Allen hexagonal GB70-85 M3_12	2
95	5650005000	Arandela plana GB97.1-85 4	2
96	5610058000	Tornillo roscador GB6560-86 M5X16	1
97	3550375000	Tuerca M6X2P	1
98	4930013000	Receptáculo	3
99	5620035000	Tornillo GB818-85 M3.5_8	4
100			
101	3660138000	Resorte de torsión	1
102	4960021000	Carbón	2
103	5640152000	Perno	1
104			
105		Set de soporte	1
106		Set de engranaje	1
107		Set del rotor	1

**VER EL ANVERSO PARA INSTRUCCIONES SOBRE CÓMO ORDENAR PARTES**

**NOTES/NOTAS**

**NOTES/NOTAS**

**NOTES/NOTAS**

## Get it fixed, at your home or ours!

### Your Home

For repair – in your home – of all major brand appliances, lawn and garden equipment, or heating and cooling systems, **no matter who made it, no matter who sold it!**

For the replacement parts, accessories and owner's manuals that you need to do-it-yourself.

For Sears professional installation of home appliances and items like garage door openers and water heaters

**1-800-4-MY-HOME<sup>SM</sup>** Anytime, day or night  
(1-800-469-4663) (U.S.A. and Canada)  
[www.sears.com](http://www.sears.com) [www.sears.ca](http://www.sears.ca)

### Our Home

For repair of carry-in products like vacuums, lawn equipment, and electronics, call or go on-line for the nearest **Sears Parts and Repair Center.**

**1-800-488-1222** Anytime, day or night (U.S.A. only)  
[www.sears.com](http://www.sears.com)

To purchase a protection agreement (U.S.A.) or maintenance agreement (Canada) on a product serviced by Sears:

**1-800-827-6655** (U.S.A.) **1-800-361-6665** (Canada)

Para pedir servicio de reparación a domicilio, y para ordenar piezas.

**1-888-SU-HOGAR<sup>SM</sup>**  
(1-888-784-6427)

Au Canada pour service en français:

**1-800-LE-FOYER<sup>SM</sup>**  
(1-800-533-6937)  
[www.sears.ca](http://www.sears.ca)

# Sears

<sup>SM</sup> Sears Brands, LLC

<sup>SM</sup> Registered Trademark / <sup>SM</sup> Trademark / <sup>SM</sup> Service Mark of Sears Brands, LLC

<sup>SM</sup> Marca Registrada / <sup>SM</sup> Marca de Fábrica / <sup>SM</sup> Marca de Servicio de Sears Brands, LLC

<sup>SM</sup> Marque de commerce / <sup>SM</sup> Marque déposée de Sears Brands, LLC