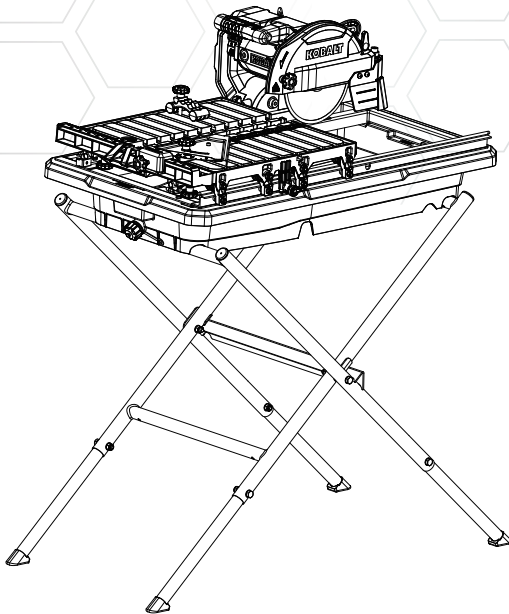


KOBALT™



ITEM #5202572

7-IN FOLDING WET TILE SAW WITH STAND

MODEL #SC1802LW

Español p. 41

KOBALT and logo design are trademarks or registered trademarks of LF, LLC. All rights reserved.

ATTACH YOUR RECEIPT HERE

Serial Number _____ MFG Date _____ Purchase Date _____



Questions, problems, missing parts? Before returning to your retailer, call our customer service department at 888-3KOBALT (888-356-2258), 8 a.m. - 8 p.m., EST, Monday - Sunday. You could also contact us at partsplus@lowes.com.

SS22236

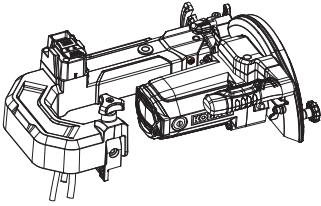
TABLE OF CONTENTS

Product Specifications	2
Package Contents	3
Know Your Tile Saw.....	6
Important Safety Information	8
Electrical Safety Information.....	11
Preparation.....	14
Assembly Instructions	15
Adjustment Instructions	27
Operating Instructions	30
Care And Maintenance	35
Troubleshooting.....	37
Replacement Parts List	38
Warranty	40

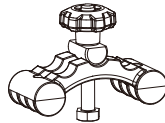
PRODUCT SPECIFICATIONS

DESCRIPTION	SPECIFICATIONS
Power Supply	120 V, 60 Hz
Motor	9 A
No Load Speed	5,700 RPM
Wheel	7 in. x 5/8 in. (arbor)
Maximum Depth of Cut	2-1/4 in.
Rip Capacity (tile size)	30 in.
Diagonal Capacity (tile size)	18 in.
Bevel Angles	0°, 22.5°, 45°

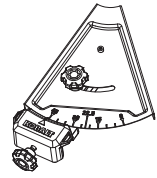
PACKAGE CONTENTS



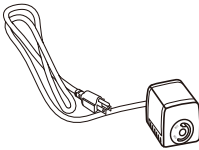
A



B



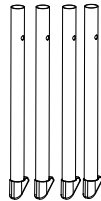
C



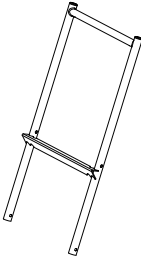
D



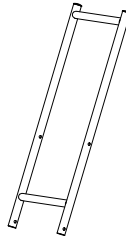
E



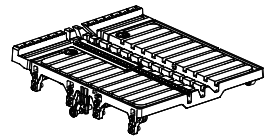
F



G

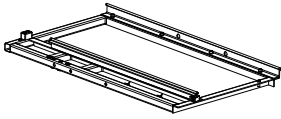


H

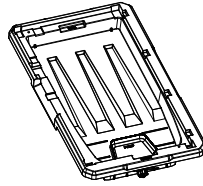


I

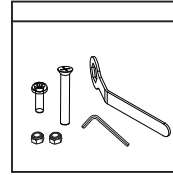
PART	DESCRIPTION	QUANTITY
A	Cutting head assembly	1
B	Tile clamp	1
C	Rip/Angle guide	1
D	Water pump	1
E	Cutting wheel	1
F	Support legs	4
G	Left support	1
H	Right support	1
I	Sliding table	1



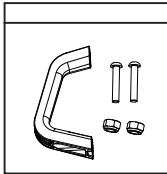
J



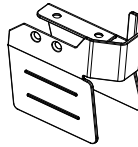
K



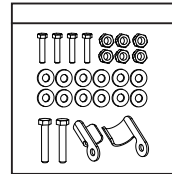
L



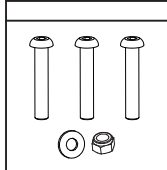
M



N



O

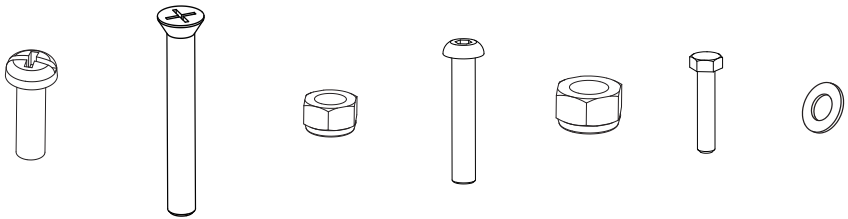


P

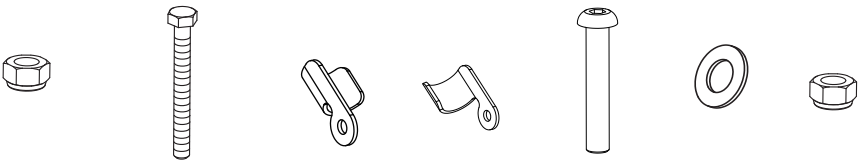
PART	DESCRIPTION	QUANTITY
J	Table frame	1
K	Water tray	1
L	Cutting wrench hardware bag	1
M	Carry handle assembly hardware bag	1
N	Side splash guard	1
O	Stand hardware bag	1
P	Cutting head assembly locking hardware bag	1

HARDWARE CONTENTS (not shown to actual size)

BAG	PART	DESCRIPTION	QUANTITY
L	aa	M6*1.0-15 Screw	1
	bb	M6*1.0-40 Screw	1
	cc	M6*1.0 T=5 Lock nut	2
BAG	PART	DESCRIPTION	QUANTITY
M	dd	M8*1.25-45 Socket head bolt	2
	ee	M8*1.25 T=8 Nut	2
BAG	PART	DESCRIPTION	QUANTITY
O	ff	M8*1.25-40 Bolt	4
	gg	φ8*15-1 Washer	12
	hh	M8*1.25 T=8 Lock nut	6
	ii	M8*1.25-70 Bolt	2
	jj	Right anchor plate	1
	kk	Left anchor plate	1
BAG	PART	DESCRIPTION	QUANTITY
P	mm	M8*1.25-40 Socket head bolt	3
	nn	φ8*18-2 Washer	1
	oo	M8*1.25 T=8 Lock nut	1

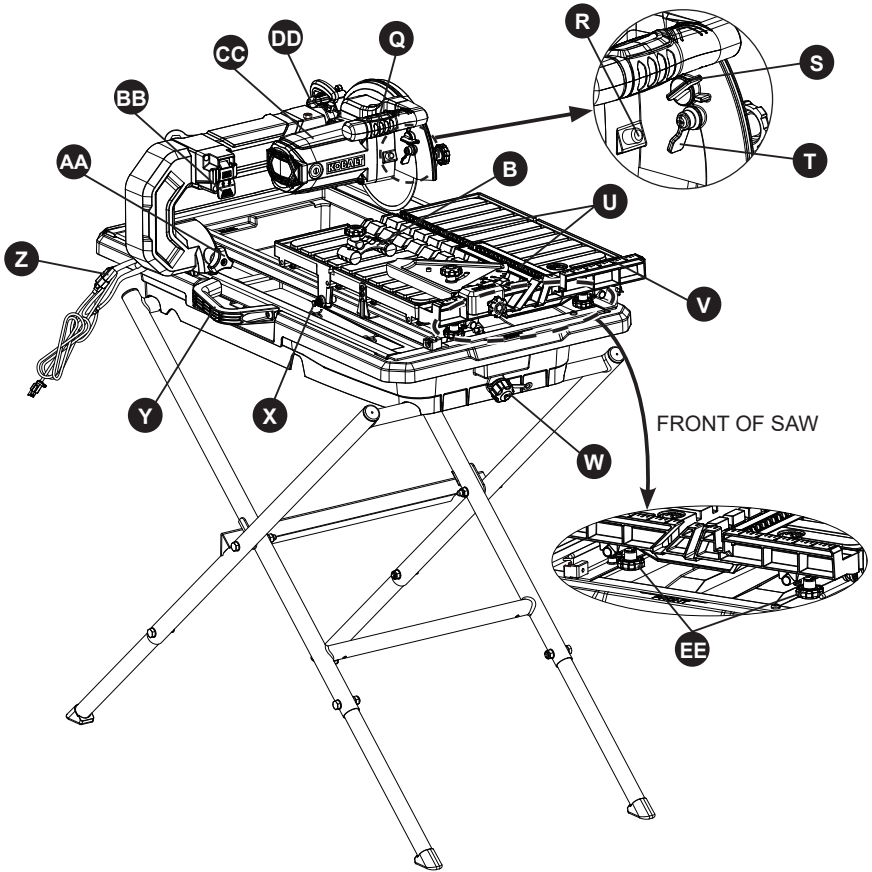


aa bb cc dd ee ff gg



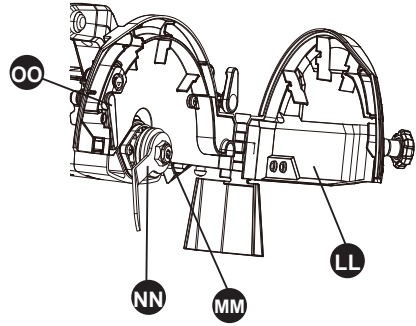
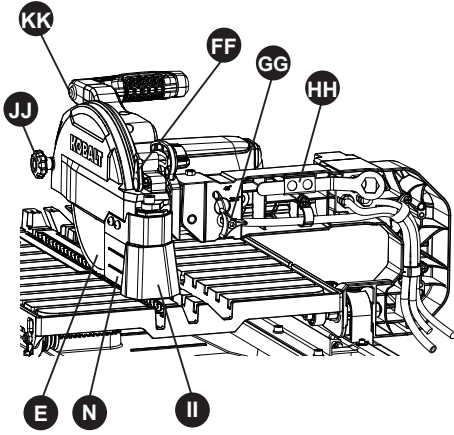
hh ii jj kk mm nn oo

KNOW YOUR TILE SAW



PART	DESCRIPTION
B	Tile Clamp
Q	Motor handle
R	Arbor lock button
S	Water volume control
T	Water angle control
U	Table inserts
V	Sliding T-fence extension
W	Drain plug

PART	DESCRIPTION
X	Table release pin
Y	Carry handle
Z	Power cord receptacle
AA	Arm folding lock knob
BB	ON/OFF switch
CC	Motor
DD	Cutting head lock knob
EE	Sliding T-fence lock knobs



PART	DESCRIPTION
E	Cutting wheel
N	Side splash guard
FF	Hold-down latch
GG	Bevel lock knob
HH	Wheel wrench storage
II	Rear splash guard
JJ	Wheel guard lock knob
KK	LED light ON/OFF switch
LL	Upper wheel guard
MM	Arbor nut
NN	Wheel wrench
OO	Water nozzles

IMPORTANT SAFETY INFORMATION

WARNING

To reduce risk of injury:

- Before any use, be sure everyone using this tool reads and understands all safety instructions and other information contained in this manual.
- Save these instructions and review frequently prior to use and in instructing others.

- **Keep guards in place** and in working order.
- **Remove adjusting keys and wrenches.** Form habit of checking to see that keys and adjusting wrenches are removed from tool before turning it on.
- **Keep work area clean.** Cluttered areas and benches invite accidents.
- **Don't use in dangerous environment.** Don't use power tools in damp or wet locations, or expose them to rain. Keep work area well lighted.
- **Keep children away.** All visitors should be kept safe distance from work area.
- **Make workshop kid proof** with padlocks, master switches, or by removing starter keys.
- **Don't force tool.** It will do the job better and safer at the rate for which it was designed.
- **Use right tool.** Don't force tool or attachment to do a job for which it was not designed.
- **Use proper extension cord.** Make sure your extension cord is in good condition. When using an extension cord, be sure to use one heavy enough to carry the current your product will draw. An undersized cord will cause a drop in line voltage resulting in loss of power and overheating. Minimum Gauge for Cord Sets shows the correct size to use depending on cord length and nameplate ampere rating. If in doubt, use the next heavier gauge. The smaller the gauge number, the heavier the cord.
- **Wear proper apparel.** Do not wear loose clothing, gloves, neckties, rings, bracelets, or other jewelry which may get caught in moving parts. Non-slip footwear is recommended. Wear protective hair covering to contain long hair.
- **Always use safety glasses.** Also use face or dust mask if cutting operation is dusty. Everyday eyeglasses only have impact resistant lenses, they are NOT safety glasses.
- **Secure work.** Use clamps or a vise to hold work when practical. It's safer than using your hand and it frees both hands to operate tool.
- **Don't overreach.** Keep proper footing and balance at all times.
- **Maintain tools with care.** Keep tools sharp and clean for best and safest performance. Follow instructions for lubricating and changing accessories.
- **Disconnect tools** before servicing; when changing accessories, such as wheels, bits, cutters, and the like.
- **Reduce the risk of unintentional starting.** Make sure switch is in off position before plugging in.
- **Use recommended accessories.** Consult the owner's manual for recommended accessories. The use of improper accessories may cause risk of injury to persons.
- **Never stand on tool.** Serious injury could occur if the tool is tipped or if the cutting tool is unintentionally contacted.
- **Check damaged parts.** Before further use of the tool, a guard or other part that is damaged should be carefully checked to determine that it will operate properly and perform its intended function – check for alignment of moving parts, binding of moving parts, breakage of parts, mounting, and any other conditions that may affect its operation. A guard or other part that is damaged should be properly repaired or replaced.
- **Direction of feed.** Feed work into a wheel or cutter against the direction of rotation of the wheel or cutter only.
- **Never leave tool running unattended. Turn power off.** Don't leave tool until it comes to a complete stop.

SAFETY INSTRUCTIONS FOR TILE SAWS

CAUTION

- Wear appropriate hearing protection during use. Under some conditions and duration of use, noise from this product may contribute to hearing loss.
- Do not connect unit to electrical power source until complete instructions are read and understood.
- **Don't** operate saw without the cutting wheel cover in place.
- Clean tile saw after each use for optimal operation.
- Use safety equipment. Always wear eye protection. Dust mask, non-skid safety shoes, hard hat, or hearing protection must be used for appropriate conditions.
- Keep hands out of path of the cutting wheel. Never cut a piece where hand would be 3" (76 mm) or less from the cutting wheel.
- Do not perform any operation freehand, that is without holding the workpiece firmly against the fence or edge guide.
- Never reach in back of the cutting wheel.
- **Don't** - Cut dry. If the cutting wheel is not cooled with water, serious damage will occur. Dry cutting will increase exposure to harmful airborne dust.
- Turn off the tool and wait for the cutting wheel to stop before moving the workpiece or changing settings.
- To reduce risk of injury, return the table to it's forward position after each cut.
- **Do** - Make certain the cutting wheel rotates in the correct direction as indicated by the arrow on the cutting wheel.
- **Do** - Be sure all clamp handles and knobs are tight before starting any operation.
- **Do** - Be sure all cutting wheel and clamp washers are clean and recessed sides of collars are against the cutting wheel. Tighten arbor nut securely.
- **Do** - Keep the cutting wheel properly aligned.
- **Do** - Keep the motor air slots free of chips and dirt.
- **Do** - Always empty water from the reservoir and disconnect from the power source before transporting. Water can splash into electrical components.
- **Do** - Keep hands out of the path of the cutting wheel.
- **Do** - Shut off power, disconnect cord from power source and wait for the cutting wheel to stop before servicing, adjusting tool or changing cutting wheel.
- **Don't** - Attempt to operate on anything but designated voltage. Incorrect voltage may result in shock, fire, or unpredictable operation.
- **Don't** - Operate unless all knobs and clamps are tight.
- **Don't** - Use cutting wheels larger or smaller than those which are recommended.
- **Don't** - Force cutting action. Allow motor to reach full speed before cutting. Stalling or partial stalling of motor can cause major damage.
- **Don't** - Use metal cutting abrasive wheels. The excessive heat and abrasive particles generated by them will damage the saw.
- **Do** - Use continuous rim wheels only, no serrated edges or toothed cutting wheels.
- **Don't** - Allow anyone to stand behind saw.
- **Don't** - Place either hand in the cutting wheel area when the saw is connected to the power source.
- **Don't** - Use cutting wheel rated less than 5,700 R.P.M.
- **Don't** - Place hands closer than 3" (76 mm) from the cutting wheel.
- **Don't** - Reach behind or underneath the saw unless it is furred off and unplugged.
- **Don't** - Move either hand from saw of workpiece until the cutting wheel has stopped.
- **Secure work.** Always place tile flat on table and securely against fence.
- Never use a pan heater or other heat source for heating water. Damage to the tool, fire or personal injury could result.
- If the plug or receptacle does get wet, **Don't** unplug the cord. Disconnect the fuse or circuit breaker that supplies power to the tool. Then unplug and examine for presence of water in the receptacle.

PROPOSITION 65 WARNING

⚠ WARNING: Some dust created by power sanding, sawing, grinding, drilling, and other construction activities contains chemicals known to the State of California to cause cancer, birth defects or other reproductive harm. Some examples of these chemicals are:

- Lead from lead-based paints,
- Crystalline silica from bricks and cement and other masonry products, and
- Arsenic and chromium from chemically treated lumber.

Your risk from these exposures varies depending on how often you do this type of work. To reduce your exposure to these chemicals: work in a well-ventilated area and work with approved safety equipment, such as dust masks that are specially designed to filter out microscopic particles.

Handling the power cord on this product may expose you to chemicals known to the state of California to cause cancer and birth defects or other reproductive harm. Wash hands after handling.


For more information go to: www.P65Warnings.ca.gov




READ INSTRUCTION MANUAL: To reduce the risk of injury, user and all bystanders must read instruction manual before using this product.

ELECTRICAL SAFETY INFORMATION

POWER SUPPLY AND MOTOR SPECIFICATIONS

 **WARNING:** To avoid electrical hazards, fire hazards, or damage to the tool, use proper circuit protection. Use a separate electrical circuit for your tool. Your tile saw is wired at the factory for 120 V operation. Connect to a 120 V, 9 Amp circuit and use a 9 Amp time delay fuse or circuit breaker. To avoid shock or fire, if power cord is worn, cut, or damaged in any way, have it replaced immediately.

GROUNDING INSTRUCTIONS

 **WARNING:** This tool must be grounded while in use to protect the operator from electrical shock.

IN THE EVENT OF A MALFUNCTION OR BREAKDOWN, grounding provides a path of least resistance for electric currents and reduces the risk of electric shock. This tool is equipped with an electrical cord that has an equipment-grounding conductor and a grounding plug. The plug must be plugged into a matching receptacle that is properly installed and grounded in accordance with all local codes and ordinances.

DO NOT MODIFY THE PLUG PROVIDED. If it will not fit the receptacle, have the proper receptacle installed by a qualified electrician.

IMPROPER CONNECTION of the equipment grounding conductor can result in risk of electric shock. The conductor with the green insulation (with or without yellow stripes) is the equipment grounding conductor. If repair or replacement of the electrical cord or plug is necessary, do not connect the equipment grounding conductor to a live terminal.

CHECK with a qualified electrician or service person if you do not completely understand the grounding instructions, or if you are not certain the tool is properly grounded.

USE only 3-wire extension cords that have three-pronged grounding plugs with three-pole receptacles that accept the tool's plug. Repair or replace damaged or worn cords immediately.

Use a separate electrical circuit for your tool. This circuit must not be less than #14 wire and should be protected with a 9 Amp time delay fuse. Before connecting the motor to the power line, make sure the switch is in the off position and the electric current is rated the same as the current stamped on the motor nameplate. Running at a lower voltage will damage the motor.

GUIDELINES FOR EXTENSION CORDS

USE THE PROPER EXTENSION CORD. Make sure your extension cord is in good condition. Use an extension cord heavy enough to carry the current your product will draw. An undersized cord will cause a drop in line voltage resulting in loss of power, overheating and burning out of the motor. The table below shows the correct size to use depending on cord length and nameplate ampere rating. If in doubt, use the next heavier gauge. The smaller the gauge number, the heavier the cord.

Make sure your extension cord is properly wired and in good condition. Always replace a damaged extension cord or have it repaired by a qualified technician before using it. Protect your extension cords from sharp objects, excessive heat and damp or wet areas.

MINIMUM GAUGE FOR EXTENSION CORDS (AWG)					
(When using 120 volts only)					
Ampere Rating		Total length of Cord			
More Than	Not More Than	25 ft.	50 ft.	100 ft.	150 ft.
0	6	18	16	16	14
6	10	18	16	14	12
10	12	16	16	14	12
12	16	14	12	Not Recommended	

⚠ WARNING: Do not expose to rain or use in damp locations.

This tool is intended for use on a circuit that has a receptacle like the one illustrated in Fig. A. Fig. A shows a three-pronged electrical plug and receptacle that has a grounding conductor. If a properly grounded receptacle is not available, an adapter (Fig. B) can be used to temporarily connect this plug to a two-contact grounded receptacle.

The adapter (Fig. B) has a rigid lug extending from it that **MUST** be connected to a permanent earth ground, such as a properly grounded receptacle box.

⚠ CAUTION: In all cases, make certain the receptacle is properly grounded. If you are not sure, have a qualified electrician check the receptacle.

Fig. A

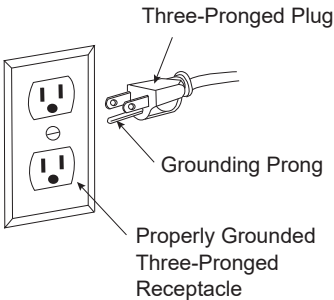


Fig. B

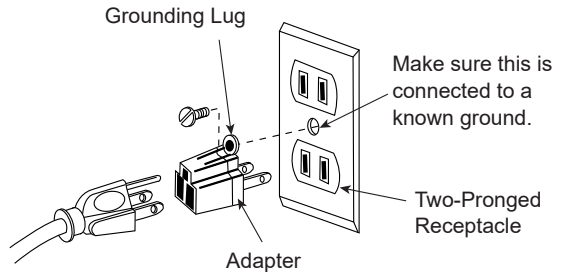
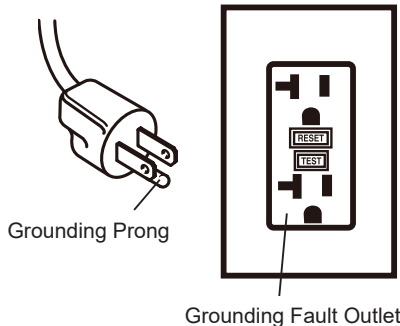


Fig. C

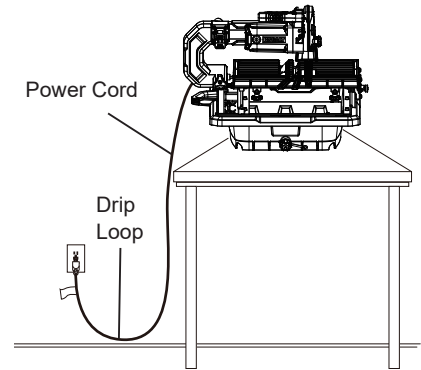


POSITION OF TILE SAW

To avoid the possibility of the appliance plug or receptacle getting wet, position the tile saw to one side of a wall-mounted receptacle to prevent water from dripping onto the receptacle or plug. The user should arrange a "drip loop" in the cord connecting the saw to a receptacle (see Fig. D). The "drip loop" is that part of the cord below the level of the receptacle, or connector if an extension cord is used, to prevent water traveling along the cord and coming in contact with the receptacle.

If the plug or receptacle does get wet, DO NOT unplug the cord. Disconnect the fuse or circuit breaker that supplies power to the tool. Then, unplug and examine for presence of water in the receptacle.

Fig. D



EXTENSION CORDS

1. Use only extension cords that are intended for outdoor use. These extension cords are identified by a marking "Acceptable for use with outdoor appliances; store indoors while not in use." Use only extension cords having an electrical rating not less than the rating of the product.

Do not use damaged extension cords. Examine extension cord before using and replace if damaged.

Do not abuse extension cords and do not yank on any cord to disconnect. Keep cord away from heat and sharp edges.

Always disconnect the extension cord from the receptacle before disconnecting the product from the extension cord.

2. **⚠ WARNING:** To reduce the risk of electrocution, keep all connections dry and off the ground. Do not touch plug with wet hands.
3. Ground Fault Circuit Interrupter (GFCI) (not included) protection should be provided on the circuit(s) or Fig. C outlet(s) to be used for the tile saw. Receptacles are available having built-in GFCI protection and may be used for this measure of safety.

PREPARATION

Before beginning assembly or operation of the product, make sure all parts are present. Compare parts with package contents list and hardware contents list on pages 3 to 5. If any part is missing or damaged, do not attempt to assemble, install or operate the product.

Estimated Assembly Time: 30~60 minutes

Tools needed to remove or install wheel (included): Wheel Wrench, 5 mm Hex Wrench.

Tools required for assembly and adjustment (not included): Adjustable Wrench, 3 mm Hex Key, 13 mm Wrench, Framing Square, Combination Square, Phillips Screwdriver, Flathead Screwdriver.

ASSEMBLY INSTRUCTIONS

⚠ WARNING: To avoid injury, do not connect this tile saw to a power source until it is completely assembled and adjusted and you have read and understood the instruction manual.

UNPACKING YOUR TILE SAW

Carefully unpack the tile saw and all its parts, and compare against the list and illustration on pages 3 to 5. With the help of an assistant, place the saw on a secure surface and examine it carefully.

⚠ WARNING

- To avoid injury from unexpected starting or electrical shock, do not plug the power cord into a source of power during unpacking and assembly. The cord must remain unplugged whenever you are adjusting/assembling the tile saw.
- If any part is missing or damaged, do not attempt to assemble the tile saw, or plug in the power cord until the missing or damaged part is correctly replaced.
- DO NOT use this product if any loose parts on the Package Contents or Hardware Contents sections are already assembled to your product when you unpack it. Parts on this list are not assembled to the product by the manufacturer and require customer installation. Use of a product that may have been improperly assembled could result in serious injury.

If any parts are damaged or missing, please call 888-3Kobalt (888-356-2258) for assistance.

⚠ WARNING: Do not attempt to modify this tool or create accessories for use with this tool. Any such alteration or modification is misuse and could result in a hazardous condition leading to serious personal injury.

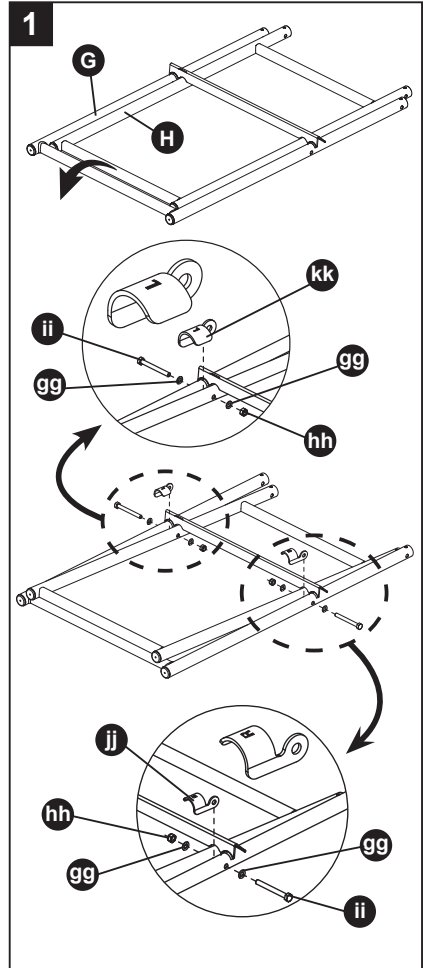
ASSEMBLING THE STAND (FIG. 1, 2) - BAG O

- Place the narrower right support (H) on flat ground first, and then put the wider left support (G) on the right support (H) as shown in the Fig. 1.
- Lift the right support (H) up to align the mounting holes of the two supports.
- Use the two long bolts (ii), four washers (gg), two anchor plates (jj & kk) and two lock nuts (hh) to connect the two supports.

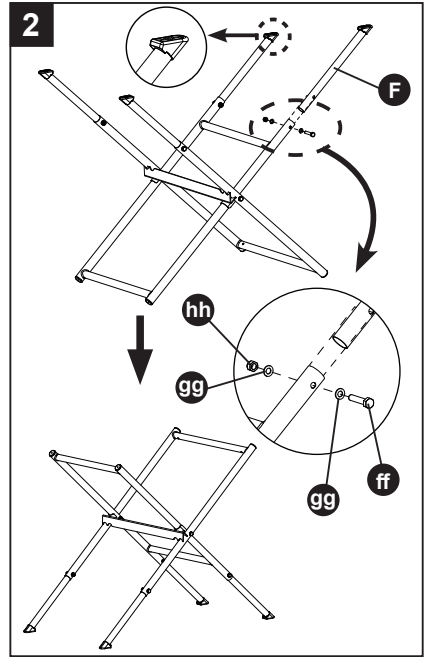
NOTE: "L" (left) and "R" (right) are marked on the two anchor plates (jj & kk) and install the two anchor plates according to the Fig. 1.

- Tighten nuts (hh) with the adjustable wrench and a 13 mm wrench.

NOTE: Do not overtighten, because doing so will not allow the leg assembly to move.

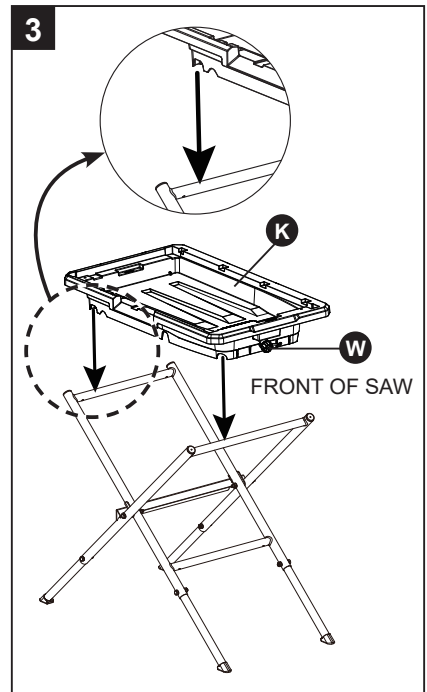


- Flip the stand assembly upside down as shown in Fig. 2.
- Attach one support leg (F) into one of the stand legs using the bolt (ff), the two washers (gg) and the nut (hh), as shown. (Fig. 2)
NOTE: The tip of all the foot pads should be facing outward as shown in Fig. 2.
- Tighten using the adjustable wrench and a 13 mm wrench.
- Repeat the above steps to install the other three lower legs.
- When assembly is complete, flip the stand upright as shown in Fig. 2.



ASSEMBLING THE WATER TRAY ONTO THE STAND (FIG. 3)

- Place the stand on level ground.
 - Line up the four grooves under the water tray (K) with the two upper support bars on the stand to put the water tray on the stand.
- NOTE:** The drain plug (W) should be facing the front of saw.



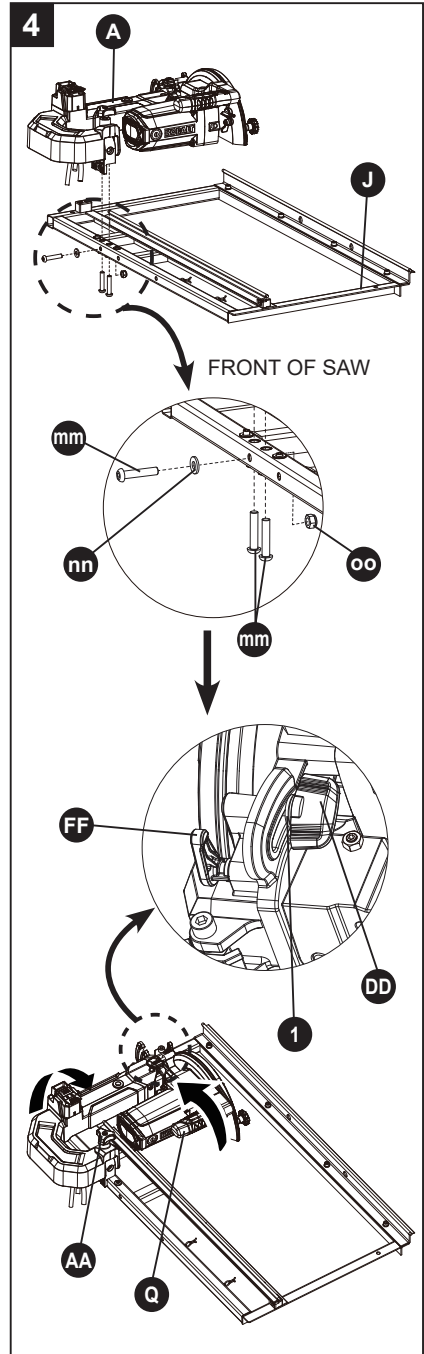
ASSEMBLING THE CUTTING HEAD ASSEMBLY ON THE FRAME (FIG. 4) - BAG P

NOTE: The cutting head assembly and table frame are heavy and it is recommended to be transported with the help of 2 people, to safely move it.

- Place frame and cutting head assembly on flat stable surface.
- Align the holes in the cutting head assembly (A) with the holes on the table frame (J).
- Insert the socket head bolt (mm) through the flat washer (nn) and the side of the table frame (J) with the lock nut (oo). Tighten with the provided 5 mm hex wrench (RR) and 13 mm wrench (not provided).
- Then, insert two socket head bolts (mm) through the table frame (J) into the holes on the cutting head assembly (A).
- Tighten the two socket head bolts using the provided 5 mm hex wrench (RR).

RAISING THE CUTTING HEAD ASSEMBLY (FIG. 4)

- To raise the cutting head assembly, pull out the hold-down latch (FF) and grasp the motor handle (Q) to raise up the cutting head.
- Release the hold-down latch (FF) to lock into place and tighten the cutting head lock knob (DD) to secure the cutting head.
NOTE: Make sure the cutting head locking knob (DD) is fully engaged with the channel before locking and that the washer (1) is on the outside of channel as shown.
- Turn the arm folding lock knob (AA) counterclockwise to unlock and then pull out. Grasp the motor handle (Q) to raise the cutting head assembly up. Push in the arm folding lock knob (AA) and tighten it by turning clockwise.

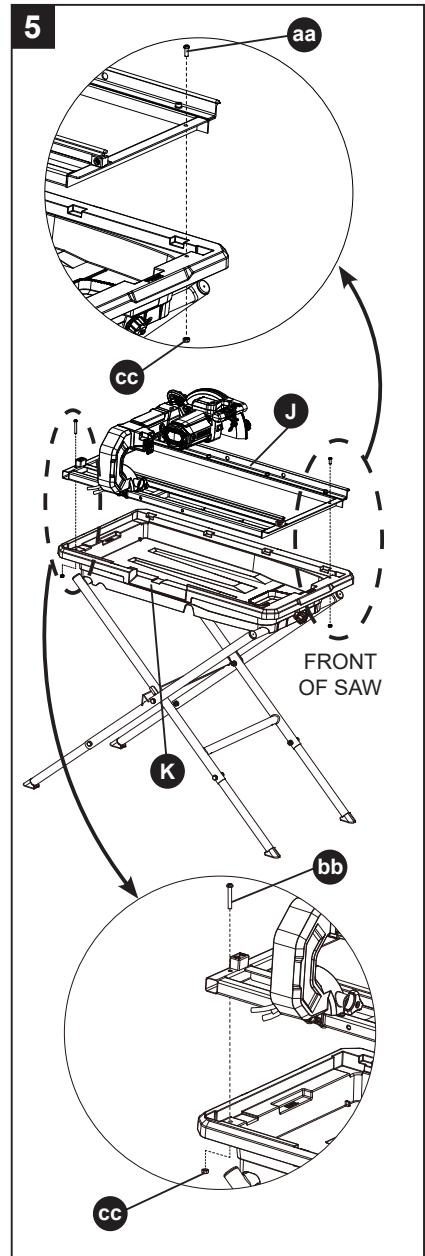


ASSEMBLING THE CUTTING HEAD/FRAME ON THE WATER TRAY (FIG. 5) - BAG L

NOTE: The cutting head assembly and table frame are heavy and it is recommended to be transported with the help of 2 people, to safely move it.

- Place the cutting head assembly onto the water tray (K) as shown.
- Insert the short screw (aa) and long screw (bb) through the table frame (J) and water tray (K) as shown, and then tighten with the hex nuts (cc) using a phillips screwdriver.

NOTE: The hex nuts (cc) fit inside the round casting on the bottom of the water tray as shown in Fig. 5.



RAISING, LOWERING AND FOLDING THE CUTTING HEAD (FIG. 6, 7)

NOTE: Always turn the saw OFF when raising or lowering the cutting head.

To raise the cutting head (Fig. 6):

- Loosen the cutting head lock knob (DD) and then pull out the hold-down latch (FF) as shown in Fig. 6-1.
- Lift the motor handle (Q) upwards, push the cutting head assembly backwards completely and then pull the motor handle (Q) forward to allow the cutting head locking in position automatically. Tighten the cutting head lock knob (DD).
- Loosen the arm folding lock knob (AA) and lift the cutting head up slightly to pull the arm folding lock knob (AA) as shown in Fig. 6-2.
- Then, hold the motor handle (Q) to raise the cutting head assembly up. Tighten the arm folding lock knob (AA).

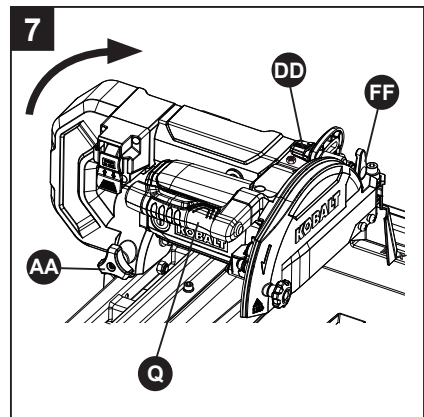
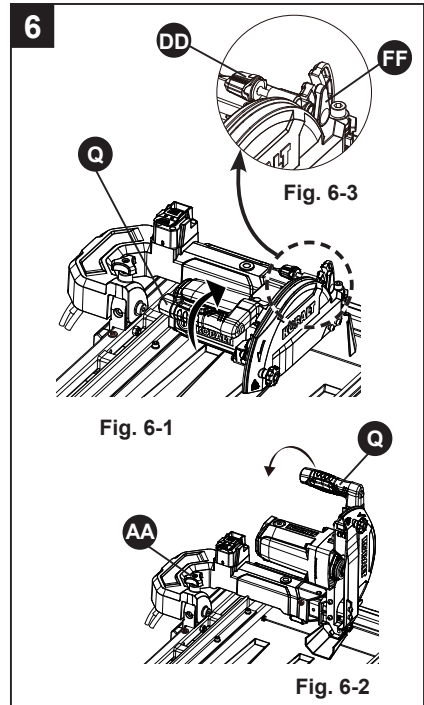
To lower the cutting head (Fig. 7):

- Loosen the arm folding lock knob (AA) and pull it out, move the motor handle (Q) clockwise to lower the cutting head. Tighten the arm folding lock knob.
- Loosen the cutting head lock knob (DD), and pull out the hold-down latch (FF); then, hold the motor handle (Q) and press down to lock the cutting head assembly.
- Tighten the cutting head lock knob (DD).

To fold the cutting head (Fig. 6-2, 7)

- Loosen the arm folding lock knob (AA) and pull it out; then, hold the motor handle (Q) to push the cutting head backwards to a vertical position as shown in Fig. 6-2.
- Loosen the cutting head lock knob (DD), pull out the hold-down latch (FF) and then push the motor handle (Q) downwards to lower the cutting head until hear a "click" sound to lock in position. (Fig. 6-2, 7)
- Tighten the cutting head lock knob (DD) and the arm folding lock knob (AA).

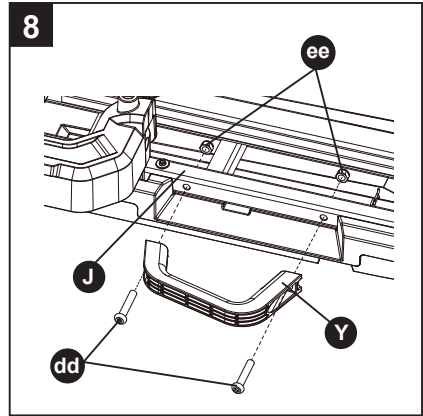
NOTICE: Always fold the cutting head while transportation. Make sure that all parts of the tile saw are locked in position without moving.



INSTALLING THE CARRY HANDLE TO FRAME (FIG. 8) - BAG M

- Align the holes in the carry handle (Y) with the holes on the table frame (J).
- Insert two socket head bolts (dd) through the carry handle and frame, secure bolts in place using lock nuts (ee).
- Tighten using the provided 5 mm hex wrench (RR) and a 13 mm wrench (not provided).

NOTICE: The tile saw, without the stand, can be transported by holding the carry handle (Y) when all parts are locked in position.

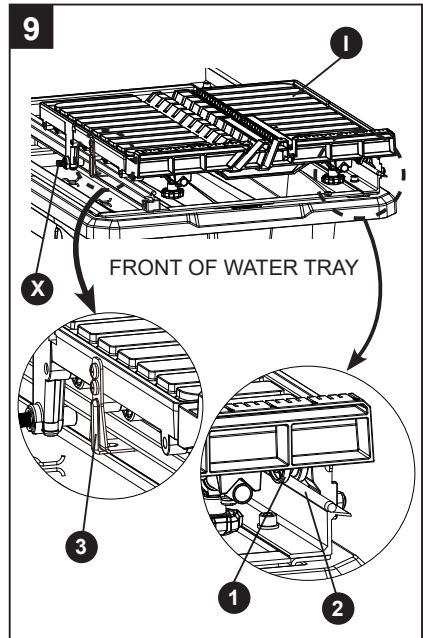


INSTALLING THE SLIDING TABLE (FIG. 9, 10, 11)

- Pull out the table release pin (X) on the left side of table. (Fig. 9)
- Align the table rollers (1) with the rails (2) on the frame, keeping the sliding table (1) and the rails (2) parallel and then push the sliding table toward the back of the saw.

NOTE: A set plate (3) is installed on the left side of the sliding table to prevent the sliding table from lifting upward while pushing the sliding table toward the back of the saw.

- Push the table release pin (X) back in place.

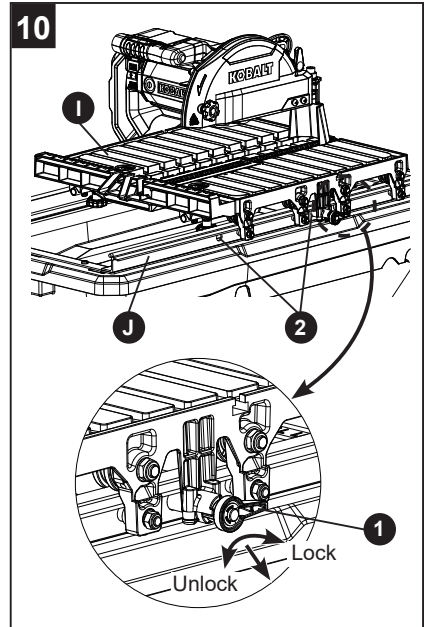


To unlock the sliding table (Fig. 10)

On the right side of the sliding table (I), turn the table locking lever (1) to the left as shown in Fig. 10. Release the lever.

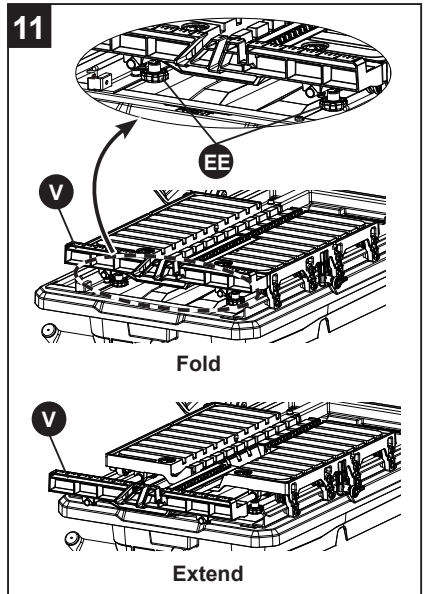
To lock the sliding table (Fig. 10)

- Position the table with either of the two holes (2) located on the table frame (J) as shown in Fig. 10. Turn the table lock lever (1) to the right so that it inserts into the hole.
- Release the lever.



To lock/unlock the sliding T-fence extension (Fig. 11)

- **UNLOCK:** Loosen the two sliding T-fence lock knobs (EE) which are located under the table, by turning clockwise. The sliding T-fence extension (V) can be pulled out to the desired position.
- **LOCK:** Tighten the two sliding T-fence lock knobs (EE) by turning counterclockwise to lock the sliding T-fence extension (V).



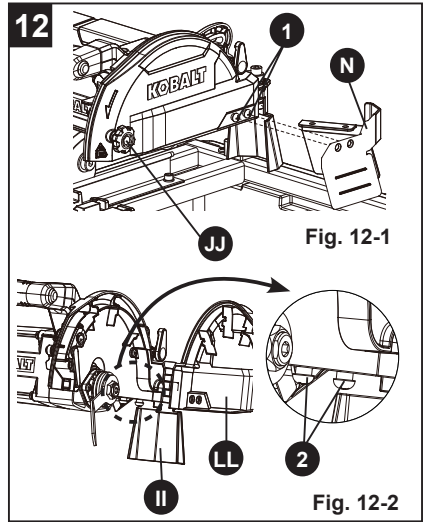
INSTALLING THE SIDE SPLASH GUARD (FIG. 12)

- Insert the two holes on the inside of the side splash guard (N) into the two screws (1) located on side of the upper wheel guard. Press into place.

NOTE: It is not necessary to loosen or remove the screws (1) on the wheel guard to install the side splash guard.

- Open the Upper Wheel Cover (LL) by turning the lock knob (JJ) clockwise. Wrap the side splash guard (N) over the installed rear splash guard (II) and insert the other two holes into the two screw heads (2) located in the back of the blade guard.

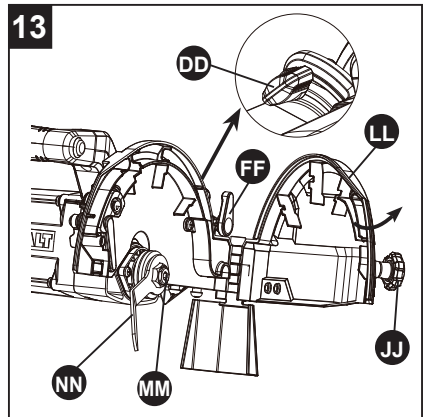
NOTE: It is not necessary to loosen or remove the screws (2) on the wheel guard to install the side splash guard.



INSTALLING THE TILE CUTTING WHEEL (FIG. 13, 14, 15)

⚠ WARNING

- Do not use tile saw wheels rated less than the no load speed of this tile saw. Failure to heed this warning could result in personal injury. DO NOT use a tile saw wheel with cracks, gaps, or teeth.
- A 7 in. tile saw wheel is the maximum wheel capacity of the tile saw. NEVER use a tile saw wheel that is too thick. Larger wheels will come in contact with the anti-splash guard, while thicker wheels will prevent the wheel bolt from securing the wheel on the arbor. Either of these situations could result in serious accidents and can cause serious personal injury.
- Disconnect the saw from the power source.
- Move the sliding table to the front of the saw.
- Loosen the wheel guard lock knob (JJ) to open the upper wheel guard (LL). (Fig. 13)
- Place the wheel wrench (NN) on the arbor nut (MM).
- Press the arbor lock button (R), holding it in firmly while turning the wheel wrench counterclockwise to loosen. (Fig. 14)
- Remove the arbor nut (MM) and outer wheel flange (1). Do not remove the inner wheel flange (2). (Fig. 15)

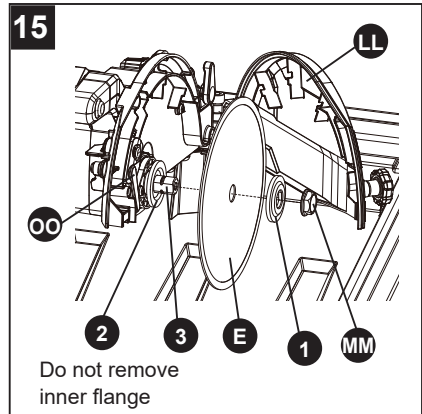
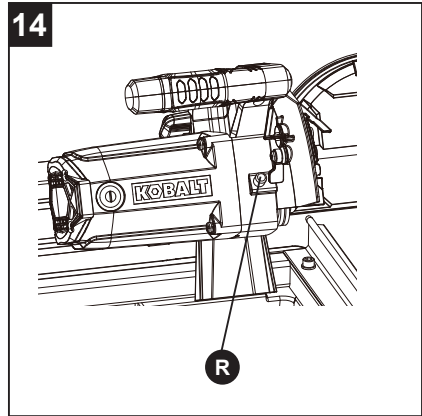


⚠ WARNING: If the inner flange (2) has been removed, replace it before placing wheel on arbor. Failure to do so could cause an accident since the wheel will not tighten properly. Never use a wheel that has openings, grooves, or teeth on this tool.

- Place the 7 in. cutting wheel (E) on the arbor (3) until the wheel fits flush against the inner flange (2) and the rotation arrow is pointing in the correct direction. Make sure the cutting wheel is installed between the two water nozzles (OO).

NOTICE: Two water nozzles (OO) come installed on this product. The hole in each nozzle should face the cutting wheel.

- Replace the outer wheel flange (1) against the wheel and on the arbor. Make sure the wheel fits flush against the inner wheel flange and the outer wheel flange, and the rotation arrow is pointing in the correct direction and matches the arrow on the outside of the upper guard.
- Replace the arbor nut (MM) on the arbor and place the wheel wrench (NN) on the arbor nut. Press the arbor lock button (R-Fig. 14), holding it in firmly while turning the wheel wrench clockwise to tighten.
- Close the upper wheel guard (LL) and tighten the wheel guard lock knob (JJ). (Fig. 13)



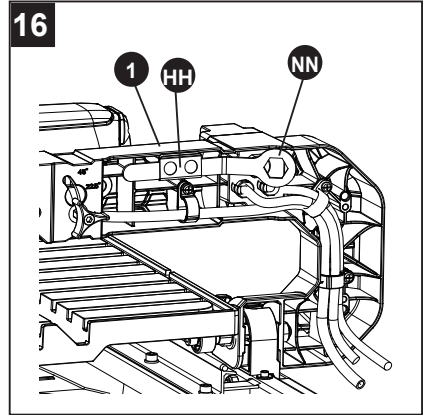
REMOVING THE TILE CUTTING WHEEL (FIG. 13, 14, 15)

⚠ WARNING: To avoid injury from an accidental start, make sure the switch is in the OFF position and the plug is not connected to the power source outlet.

- Disconnect the saw from the power source.
- Move the sliding table to the front of the saw.
- Loosen the cutting head lock knob (DD) and then pull out the hold-down latch (FF) to raise the cutting head assembly to its upmost position. Release the hold-down latch (FF) and tighten the cutting head lock knob (DD). (Fig. 13)
- Loosen the wheel guard lock knob (JJ) and open the upper wheel guard (LL).
- Place the wheel wrench (NN) on the arbor nut (MM).
- Press the arbor lock button (R), holding it in firmly while turning the wheel wrench counterclockwise to loosen. (Fig. 14)
- Remove the arbor nut (MM), outer wheel flange (1) and cutting wheel (E). Do not remove the inner wheel flange (2). (Fig. 15)

WHEEL WRENCH STORAGE (FIG. 16)

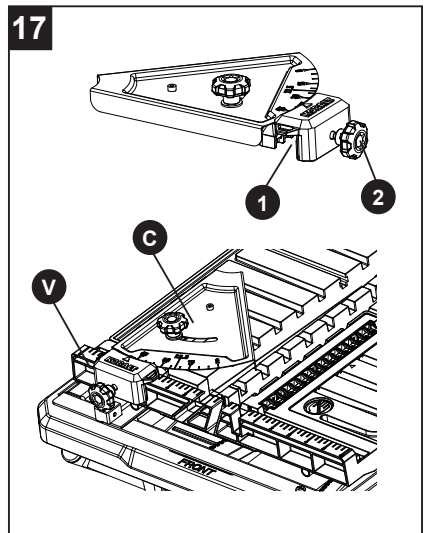
For convenient storage and prevention of loss, there is a clip (HH) behind the arm (1) for storing the wheel wrench (NN) when not in use.



INSTALLING THE RIP/ANGLE GUIDE (FIG. 17)

The Rip/Angle guide can be used from either the left or right side of the 7 in. cutting wheel.

- Place the slot (1) of the Rip/Angle guide (C) on the sliding T-fence extension (V).
- Move the Rip/Angle guide along the fence to the desired position and turn the lock knob (2) clockwise to lock in place.



INSTALLING THE TILE CLAMP (FIG. 18)

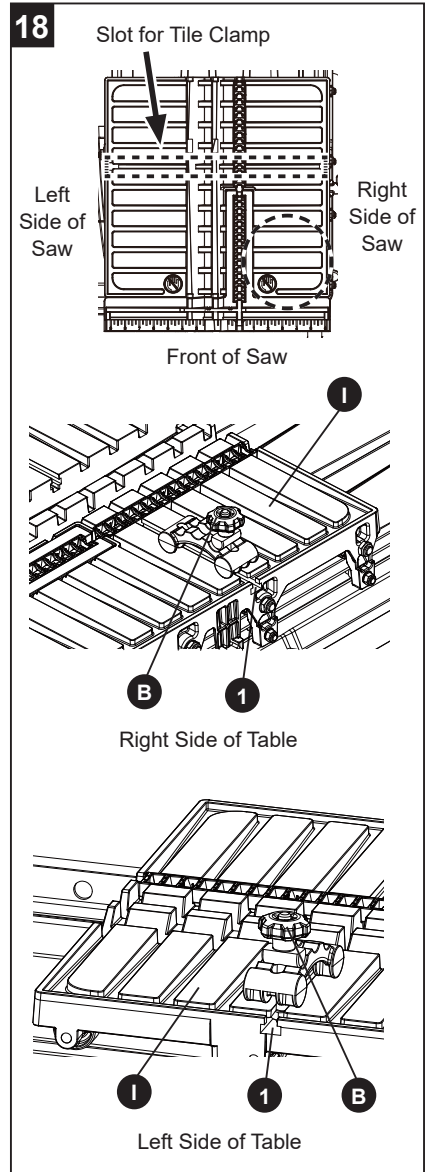
NOTE: The tile clamp is designed to be used for small or narrow pieces of tile. Use this clamp for all cuts that cannot be held firmly by the miter/angle guide and would require your hands to be closer than 3" from the cutting wheel. The sliding table has a channel for the tile clamp to be located into position and tighten.

- For tile 3" and less in width: Insert the tile clamp (B) into the T-shaped slot (1) from the right side of the sliding table (I).

NOTE: Make sure the clamp will not contact the cutting wheel before starting the cut.

- For tile larger than 3" in width: Insert the tile clamp (B) into the T-shaped slot (1) from the left side of the sliding table (I).

NOTE: Make sure the openings on the sliding table for the 22.5 and 45 bevel angles do not interfere with the tightening of the clamp.



INSTALLING THE WATER PUMP (FIG. 19, 20)

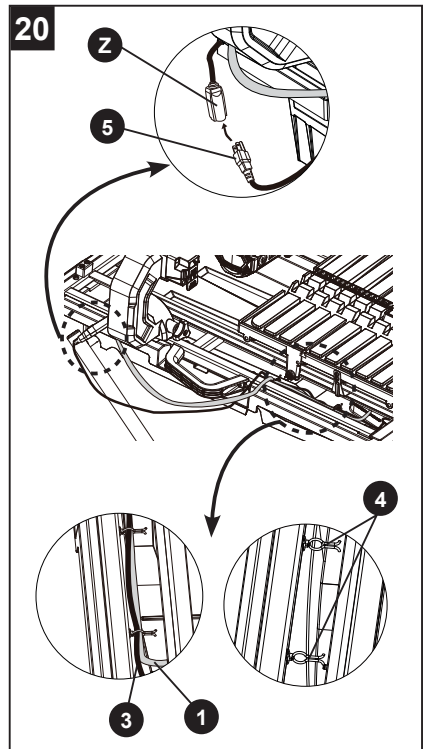
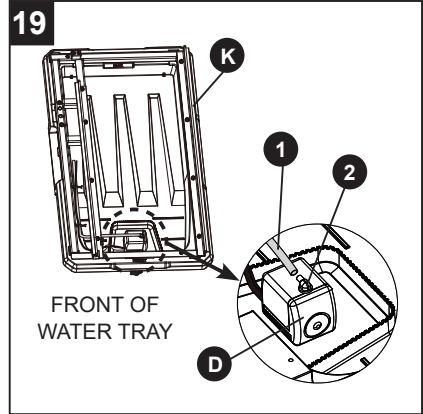
- Move the table to the back position.
- Water pump (D) is equipped with suction feet to secure in place. Press down firmly on the water pump (D) to attach feet to bottom of the water tray (K).
- Insert the clear water tube (1) into inside of the water tray from the molded opening and connect the clear water tube to the barbed end of the 90° fitting (2).

NOTE: Make sure the clear water tube doesn't contact the bottom of the sliding table. Adjust the position of the clear water tube or pump if necessary.

NOTICE: Make sure the water pump power cord (3) and clear water tube (1) have been placed under the frame rails and over the left side of the frame. (Fig. 20)

- Secure the clear water tube (1) and water pump power cord (3) by placing them into the two cord clamps (4) and twisting the ends closed.
- Insert the water pump power cord plug (5) into the power cord receptacle (Z) as shown in Fig. 20. The water pump will start when the tile saw is turned on.

NOTE: Do not use pump when not submersed in water as it may damage the pump. If the pump does not push water out of the clear water tube onto the blade after starting the saw, unplug the saw from the electrical outlet, disconnect the clear water tube from the pump. Submerge the pump in water, reconnect the clear water tube to the pump, plug the saw back into the electrical outlet and start the saw to get the water flowing through the tube to the blade.



ADJUSTMENT INSTRUCTIONS

⚠ WARNING: This saw was adjusted for accuracy at the factory. During shipping the components may have been moved out of alignment. In addition, usage and time will necessitate adjustments to be made.

⚠ WARNING

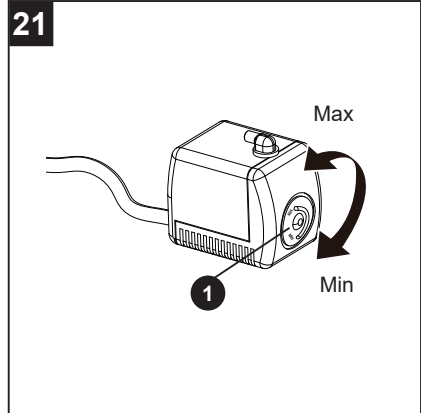
To prevent personal injury:

- Always disconnect plug from the power source when making any adjustments.
- This adjustment must be correct or accurate cuts can not be made. Also inaccurate adjustment can result serious personal injury.

TO CONTROL THE FLOW OF WATER (FIG. 21)

- Fill the water tray with clean water as described below.
- Locate the "Max/Min" water flow selector (1) on the pump. For best performance, set the flow to "Max" to control the flow of water over the wheel.
- The pump turns on when the motor is turned on. Let the cutting wheel build up to full speed and wait for the wheel to get wet before moving the tile into the wheel.

NOTE: The flow of water can also be adjusted using the external water volume control. See page 31 for instructions.

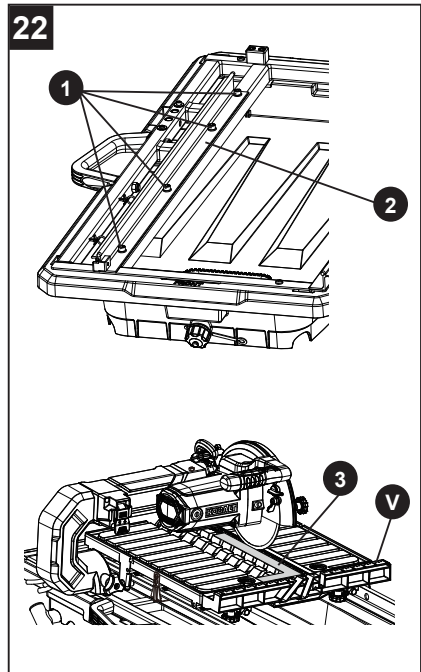


TO SQUARE THE CUTTING WHEEL TO THE TABLE (FIG. 22)

Do not loosen any screws for this adjustment until you have checked with a square and made test cuts to be sure adjustments are necessary. Once the screws are loosened, these items must be reset.

- Disconnect the saw from the power source.
- Using the provided 5 mm hex key (RR), loosen the four cap bolts (1) on the left rail (2).
- Place a framing square (3) against the sliding T-fence extension (V) and the flat part of the wheel.
- Move the rail (2) until the sliding T-fence extension (V) is square with the cutting wheel.
- Tighten the cap bolts (1) securely.

NOTE: Make sure the table stop is still functional in the unlocked position so that the sliding table does not slide off of the table rails.

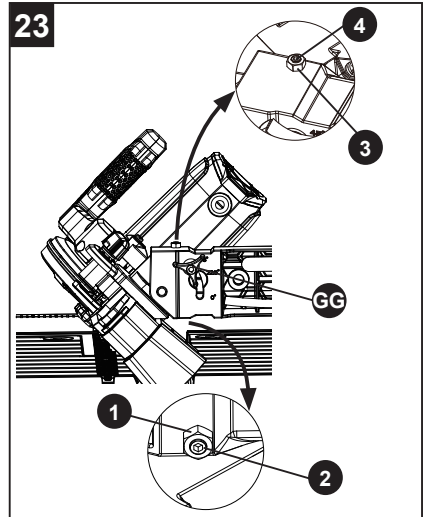


POSITIVE STOP ADJUSTMENT (FIG. 23)

NOTE: These adjustments were made at the factory and normally do not require.

Adjusting the cutting wheel 90° to sliding table

- Disconnect the saw from the power source.
- Loosen the bevel lock knob (GG). Place a 90° framing square on the cutting wheel surface.
- If the cutting wheel is not 90° to the groove, loosen the lock nut (1) with an adjustable wrench and use a 3 mm hex key to turn the 0° hex bolt (2) clockwise to screw in or counterclockwise to screw out until the wheel is flush with the framing square. Tighten the lock nut (1).
- Tighten the bevel lock knob (GG).
- Make sure that the cutting wheel does not touch either side of the groove in the sliding table by pushing the sliding table past the cutting wheel.



Adjusting the cutting wheel 45° to sliding table

- Disconnect the saw from the power source.
- Loosen the bevel lock knob (GG).
- Place the combination square to the cutting wheel surface.
- If the cutting wheel is not 45° to the groove, loosen the lock nut (3) with an adjustable wrench and use a 3 mm hex key to turn the 45° hex bolt (4) until the wheel is 45° to the groove. Tighten the lock nut (3).
- Tighten the bevel lock knob (GG).
- Make sure that the cutting wheel does not touch either side of the groove in the sliding table by pushing the sliding table past the cutting wheel.

CUTTING WHEEL DEPTH ADJUSTMENT

(FIG. 24)

⚠ WARNING: Improperly adjusting the cutting wheel depth could cause the cutting wheel to come in contact with the sliding table resulting in damage to the unit and/or possible serious injury.

Adjusting the cutting depth:

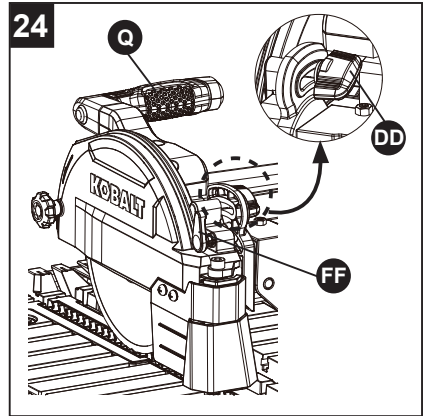
- Disconnect the saw from the power source.
- Loosen the cutting head lock knob (DD), pull out the hold-down latch (FF), and press down the motor handle (Q) until the cutting wheel is at the desired depth.
- While holding the cutting head in the desired position, release the hold-down latch and tighten the cutting head lock knob (DD).

Maximum cutting depth:

- Disconnect the saw from the power source.
- Loosen the cutting head lock knob (DD), pull out the hold-down latch (FF), and press down the motor handle (Q) to set the cutting head to a 0° angle. Make sure the wheel sits in the groove in the sliding table.

NOTICE: Do not lock the cutting head lock knob while making this adjustment.

- After adjustment is complete, tighten the cutting head lock knob (DD).
- Recheck the cutting wheel depth by moving the sliding table front to back.



OPERATION INSTRUCTIONS

BEFORE USING THE TILE SAW

▲ WARNING: To avoid mistakes that could cause serious, permanent injury, do not plug the tool in until the following steps are completed:

- Completely assemble and adjust the tile saw, following the instructions. (SEE ASSEMBLY AND ADJUSTMENTS SECTIONS).
- Review the entire manual and understand all safety instructions and operating procedures in this Instructions Manual. (SEE IMPORTANT SAFETY & OPERATIONS SECTIONS).
- To avoid injury or possible death from electrical shock, make sure your fingers do not touch the plug's metal prongs when plugging or unplugging your tile saw. (SEE ELECTRICAL REQUIREMENTS AND IMPORTANT SAFETY SECTIONS).

BASIC SAW OPERATIONS

▲ WARNING

- Overfilling the water tray can lead to water entering the motor compartment and potential electric shock.
- When filling/draining water tray, make sure wet tile saw is unplugged from wall outlet.

LED LIGHT ON/OFF SWITCH (FIG. 25)

Turn the LED light on and off by pressing the LED light ON/OFF switch (EE) located on the side of the motor handle (Q).

NOTE: The saw must be plugged in for the LED light to operate.

ON/OFF SWITCH (FIG. 25)

The ON/OFF switch (BB) has a removable safety key (SS). With the key removed from the switch, unauthorized and hazardous use by children and others is minimized and the saw will not turn on.

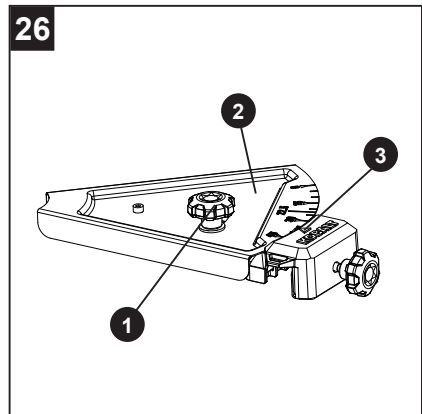
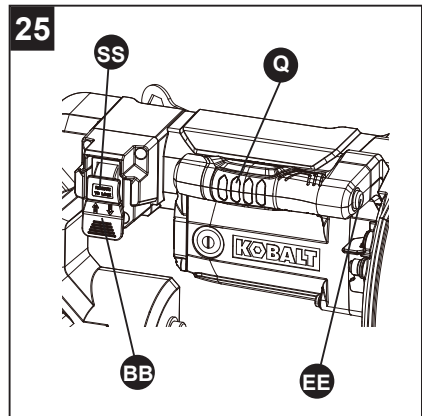
- To turn the saw "ON", insert the safety key (SS) into the slot of the ON/OFF switch (BB), and move the switch upward to the "ON" position.
- To turn the saw "OFF", move the ON/OFF switch (BB) downward.
- To lock the switch in the OFF position, grasp the sides of the safety key (SS), and pull it out.
- With the switch key removed, the switch will not operate to power the saw on.

▲ WARNING: ALWAYS lock the switch "OFF" when the tile saw is not in use. Remove the key and keep it in a safe place. In the event of a power failure, blown fuse, or tripped circuit breaker, turn the switch "OFF" and remove the key, preventing an accidental startup when power comes on.

USING THE RIP/ANGLE GUIDE (FIG. 26)

- Loosen the Rip/Angle guide adjust knob (1).
- Move the Rip/Angle guide body (2) to align the pointer (3) to the desired angle.
- Tighten the miter guide adjust knob (1) securely before turning on the saw.

NOTE: Please make sure the cutting wheel will not make contact with this guide during the cutting operation.



FILLING/CHANGING THE WATER RESERVOIR (FIG. 27)

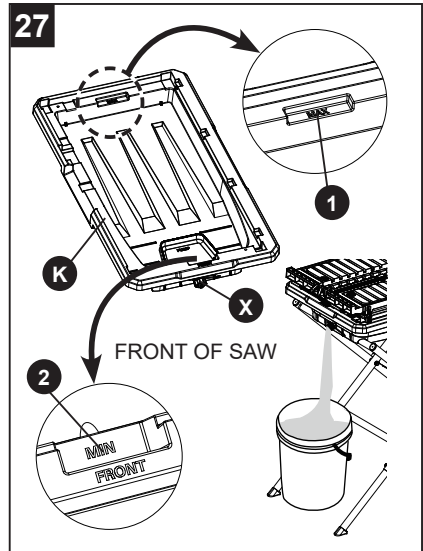
⚠ WARNING: When filling/draining water tray, make sure wet tile saw is unplugged from wall outlet.

To fill the reservoir with water

- Make sure the drain plug (X) on the water tray is tight.
- Fill the water tray (K) with clean water. Ensure the water level is between "MAX" (1) and "MIN" (2) fill lines. Do not overfill.

To change the reservoir water:

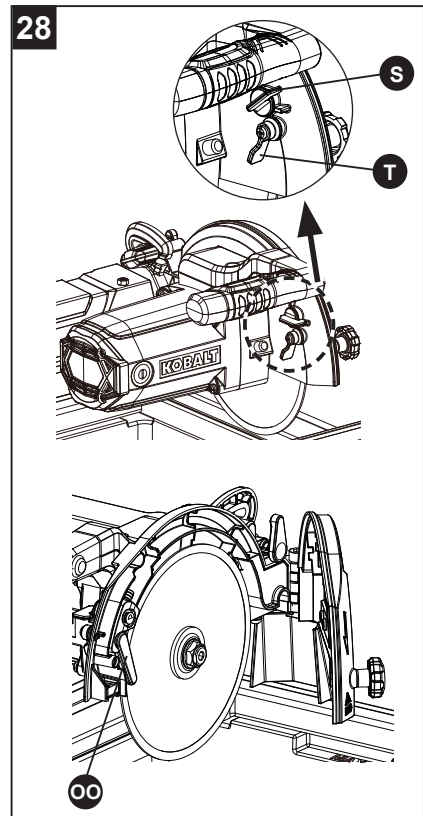
- Place a bucket under the drain plug (X). Remove the drain plug and allow the water to empty into the bucket.
- Rinse the water reservoir thoroughly.
- Discard the waste water in accordance with local regulations.
- Replace the drain plug (X) and refill water tray with clean water.



EXTERNAL WATER CONTROLS (FIG. 28)

Water nozzles are adjustable to provide maximum water for cutting and change water spray direction.

- The water volume control (S) allows easy adjustment of nozzles (OO) to provide water volume. To provide maximum water volume, turn the water volume control (S) clockwise. To provide minimum water volume, turn the water volume control (S) counterclockwise.
- The water angle control (T) allows easy adjustment of nozzles (OO) to desired angle.



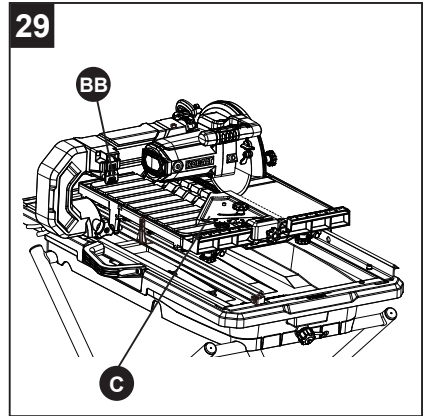
CUTTING OPERATION

⚠ WARNING: Before making any adjustments or removing or installing attachments or accessories, make sure the switch is in the OFF position to avoid injury from an accidental start.

Before turning the tile cutter on, verify the alignment of the sliding table and the cutting wheel. Always center the cutting wheel in one of the cutting table grooves before cutting. Make sure the cutting wheel does not contact the tile or table before turning saw on.

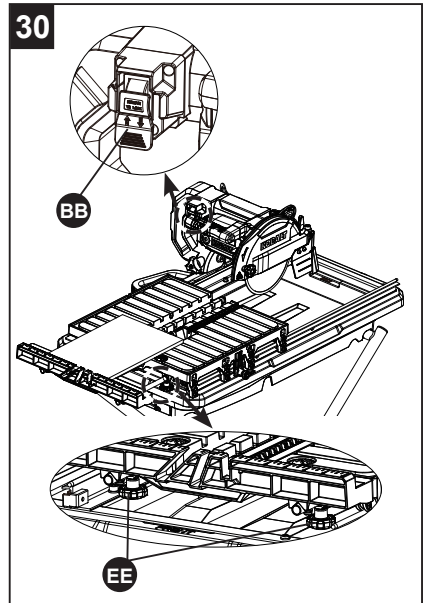
STRAIGHT CUT (FIG. 29)

- Using a pencil or marker mark the area to be cut on tile.
- Place the tile on the sliding table and against the Rip/Angle guide (C) and align the mark with the cutting wheel.
- Pull the ON/OFF switch (BB) upward to turn the tile saw. Allow the cutting wheel to reach full speed and wait until the stream of water from the water nozzle completely covers the cutting wheel.
- Using both hands to slowly push the sliding table toward the cutting wheel to feed the tile into the cutting wheel (Never force the material through the wheel. Move at a slow consistent pace).
- Turn the tile saw off once cut is performed.



CUTTING LONG TILE (UP TO 30") (FIG. 30)

- Move the sliding table to the front of the saw.
 - Loosen the two sliding T-fence lock knobs (EE) and pull the sliding T-fence extension to the front position.
- NOTE:** Do not lock the sliding T-fence lock knobs.
- Using a pencil or marker mark the area to be cut on tile.
 - Place up to the 30" tile on the sliding table and against the sliding T-fence extension.
 - Pull the ON/OFF switch (BB) upward to turn the tile saw. Allow the cutting wheel to reach full speed and wait until the stream of water from the water nozzle completely covers the cutting wheel.
 - Using both hands to slowly push the sliding table toward the cutting wheel. As the cutting proceeds, simultaneously push the sliding T-fence extension forward to feed the tile into the cutting wheel (Never force the material through the wheel. Move at a slow consistent pace) at the same time.
 - Turn the tile saw off once cut is performed.

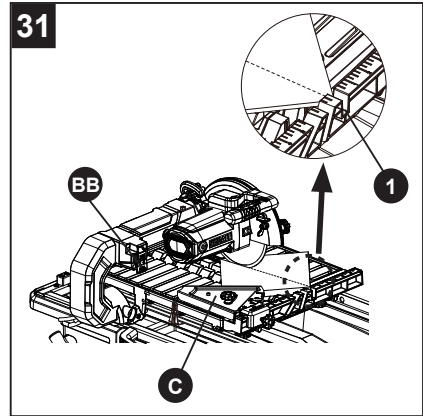


NOTE: For cutting small/narrow tile, see the section of "INSTALLING THE TILE CLAMP" on page 25.

DIAGONAL CUT (FIG. 31)

NOTE: Diagonal cuts are also referred to as “long point to point cuts.”

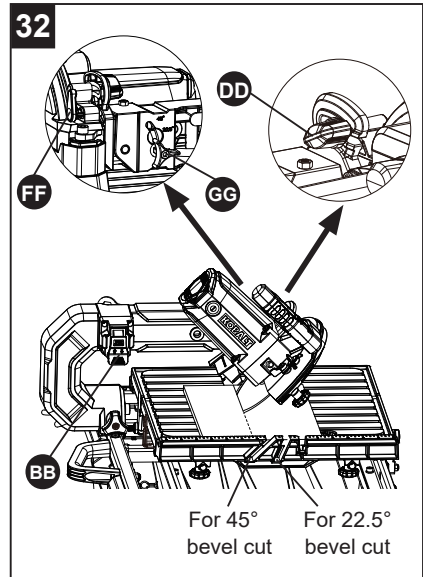
- Fill the water tray with clean water.
- Using a pencil or marker mark the area to be cut on tile.
- Align one point of the tile against the cut indicator (1) of the sliding table. The cut indicator means the exact location where the cutting wheel will pass through the sliding table.
- Align the front of the tile to the cutting wheel and hold against the Rip/Angle guide (C), which should be adjusted to proper angle.
- Pull the ON/OFF switch (BB) upward to turn the tile saw on to allow the cutting wheel at the full speed and wait until the stream of water from the water nozzle completely cover the cutting wheel.
- Using both hands to slowly push the sliding table toward the cutting wheel to feed the tile into the cutting wheel.
- Turn the tile saw off once cut is performed.



BEVEL CUT (FIG. 32)

NOTE: Bevel cuts can be made at 22.5 and 45 angles.

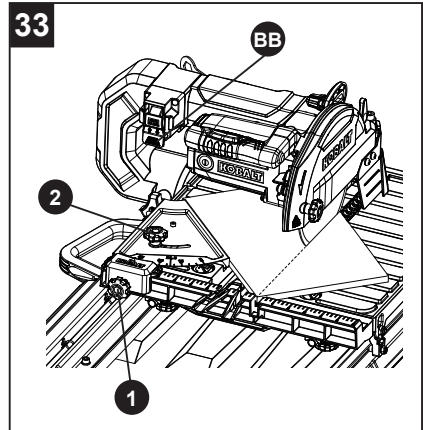
- Using a pencil or marker mark the area to be cut on tile.
- Loosen the bevel lock knob (GG) to tilt the cutting head to 22.5° or 45° clockwise. Tighten the bevel lock knob.
- Loosen the cutting head lock knob (DD) and pull out the hold-down latch (FF) to lower the cutting head in one of the 2 miter slots and tighten the cutting head lock knob.
NOTICE: Check to insure the cutting wheel does not contact the table before turning saw on.
- Put the ON/OFF switch (BB) upward to turn the tile saw on to allow the cutting wheel at the full speed and wait until the stream of water from the water nozzle completely cover the cutting wheel.
- Using both hands to slowly push the sliding table toward the cutting wheel to feed the tile into the cutting wheel.
- Turn the tile saw off once cut is performed.



MITER CUT (FIG. 33)

NOTE: Miter cuts are used for cutting outside and inside corners on material, decorative chair rail and base moulding with the material at any angle to the cutting wheel other than 90°.

- Using a pencil or marker mark the area to be cut on tile.
- Loosen the Rip/Angle guide lock knob (1) to make the Rip/Angle guide along the front rail to the desired position and then tighten the lock knob.
- Loosen the Rip/Angle guide adjust lock knob (2) to turn the guide to the desired angle along the arc slot and then tighten the adjust lock knob.
- Pull the ON/OFF switch (BB) upward to turn the tile saw on to allow the cutting wheel at the full speed and wait until the stream of water from the water nozzle completely cover the cutting wheel.
- Using both hands to slowly push the sliding table toward the cutting wheel to feed the tile into the cutting wheel.
- Turn the tile saw off once cut is performed.



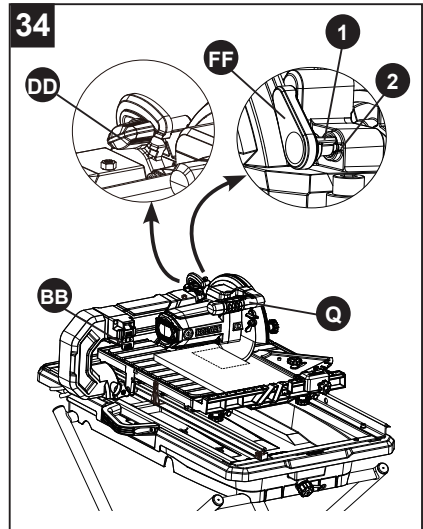
PLUNGE CUT (FIG. 34)

NOTE: Plunge cuts mean to position the tile under the cutting wheel directly and lower the cutting head to make cuts onto the interior of the tile, such as electrical outlets or air conditioner registers.

- Using a pencil or marker mark the area to be cut on tile.
- Loosen the cutting head lock knob (DD) and pull out the hold-down latch (FF) to raise the cutting head upward.

NOTICE: Turn the hold-down latch (FF) to adjust the ribs (1) of the hold-down latch out of the slots (2), so that the cutting head can swing upwards and downwards limitedly.

- Pull the ON/OFF switch (BB) upward to turn the tile saw on to allow the cutting wheel at the full speed and wait until the stream of water from the water nozzle completely cover the cutting wheel.
- Hold the cutting head firmly by the motor handle (Q).
- Move the tile on the sliding table underneath the cutting wheel.
- Slowly lower the cutting head to make a cut on the tile. Then, raise the cutting head.
- Turn the tile saw off once cut is performed.
- Withdraw the sliding table from the cutting head and then adjust the tile position for the next cut.



CARE AND MAINTENANCE

⚠ WARNING: Do not service, clean or maintain the saw without first turning off the motor and unplugging the saw from the power source. Failure to do so may result in serious personal injury.

REPLACING CARBON BRUSHES (FIG. 35)

NOTICE: Replace both carbon brushes when either has less than 1/4 in. length of carbon remaining, or if the spring or wire is damaged or burned.

- To inspect or replace brushes, first unplug the saw.
- Loosen the cutting head lock knob (DD) and pull out the hold-down latch (FF) to raise the cutting head at the maximum height. Release the hold-down latch and tighten the cutting head lock knob.
- Loosen the bevel lock knob to tilt the cutting head at 45° clockwise. Tighten the bevel lock knob.
- Then, remove the black plastic cap (1) on the side of the motor. Remove the cap cautiously, because it is springloaded. Pull out the carbon brushes (PP) and replace.
- The ears on the metal end of the assembly go in the same hole the carbon part fits into. Tighten the cap snugly, but do not overtighten.
- Repeat for the carbon brushes located on the other side of motor.

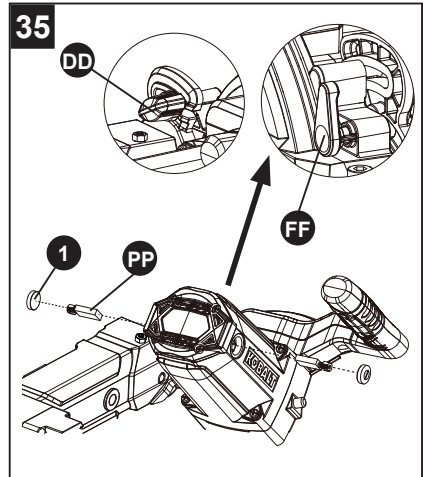
NOTICE: To reinstall the same brushes, first make sure the brushes go back in the way they came out. This will avoid a break-in period that reduces motor performance and increases wear.

CLEANING

- Insert the water pump into a bucket with clean water and pump the water through the hose allowing the hose to be cleaned.
- Turn off and unplug the saw from the power source.
- Place a bucket under the drain plug. Remove the drain plug and allow the water to empty into the bucket.
- Slide the edge guide off the rail system. Spray the Rip/Angle guide with a hose or wipe with a grout sponge or clean cloth.
- Wipe the cutting table, motor housing, and motor support arm with a grout sponge or clean cloth. Spray lubricants are not required on the rail or cutting wheel.
- Clean the water tray by spraying with a hose or wiping with a grout sponge.

Use clean cloth to remove dirt, dust, oil, grease, etc. Do not use gasoline, turpentine, lacquer or paint thinner, dry cleaning fluids or similar products. Chemicals can damage, weaken or destroy plastic which may result in personal injury.

Try not to let any liquid get inside the motor; never immerse any part of the tool into a liquid.

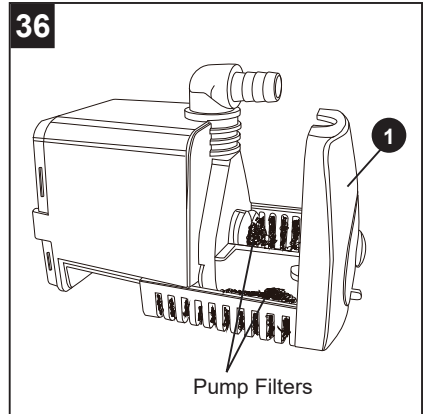


CLEANING THE PUMP (FIG. 36)

For best performance, the pump may be cleaned periodically.

- Unplug pump before handling or cleaning the pump.
- Pull out to remove the front cover (1).
- Using a small brush and/or water, clean any debris or trash that is trapped on the inside of the pump.
- Replace the front cover (1).

NOTE: To maintain efficiency and extend the life of the pump, check intake screen before use to make sure it is clean.



FREE WARNING LABEL REPLACEMENT: If your warning labels become illegible or are missing, call 888-356-2258 for a free replacement.

⚠ WARNING

DO NOT replace the power cord. If you have any problem or questions concerning the power cord, call the Customer Service Department at 888-356-2258.

KOBALT		#5202572
7-IN FOLDING WET TILE SAW WITH STAND 1778-CM SIERRA PARA AZULEJOS DE CORTE EN HUMEDO PLEGABLE CON SOPORTE		888-356-2258 (888-3KOBALT) DISTRIBUTED BY/DISTRIBUIDO POR: LOWE'S HOME CENTERS LLC 1000 LOWE'S BLVD. MOORESVILLE, NC 28117
BLADE/HOJA 9A, 5.70mm (RPM) (NO LOAD) 120V a.c. 60Hz 9 AMPERIOS, 5700 RPM (SIN CARGA) 120 V AC- 60 HZ		REXON INDUSTRIAL CORP., LTD. 261, JEN HWA ROAD, TALI, TAICHUNG, TAIWAN
SERIAL NO.: SERIE NO.:	MFG. DATE: FECHA DE FABRICACIÓN:	MADE IN TAIWAN/HECHO EN TAIWAN

⚠ WARNING	⚠ ADVERTENCIA
FOR YOUR OWN SAFETY READ INSTRUCTION MANUAL BEFORE OPERATING SAW. Wear eye protection. Disconnect saw before servicing, when changing cutting wheels, and cleaning. Use tool only with smooth edge cutting wheels free of openings and grooves. Replace damaged cutting wheel before operating. Do not fill water bath above max fill line. Never operate the tool without the wheel guard securely closed. Use splash hood for every operation for which it can be used. DO NOT EXPOSE TO RAIN OR USE IN DAMP LOCATIONS.	
PARA SU PROPIA SEGURIDAD, LEA EL MANUAL DE INSTRUCCIONES ANTES DE OPERAR LA SIERRA. Use ojo protección. Desconecte la sierra antes de realizar el mantenimiento, cuando cambie las ruedas de corte y limpie. Utilizar Herramienta únicamente con discos de corte de borde liso, sin aberturas ni ranuras. Reemplazar el disco de Rueda de corte antes de operar. No llene al baño de agua por encima de la línea de llenado máximo. Nunca opere el Herramienta sin el protector de rueda bien cerrado. Utilice una capucha contra salpicaduras para cada operación para la cual puede ser usado. NO LO EXPONGA A LA LLUVIA NI LA UTILIZACIÓN EN UBICACIONES DE DAÑO.	

⚠ WARNING	⚠ ADVERTENCIA
To reduce the risk of injury, lock working table before transport.	
Para disminuir el riesgo de lesiones, seguro de la mesa para fijar antes de transportar.	

⚠ DANGER
To reduce the risk of electrocution, always power the saw with a GFCI protected outlet.

⚠ PELIGRO
Para reducir el riesgo de electrocución, siempre conecte la sierra a una toma de corriente con protección GFCI.

<p>JP-900N Submersible Pump AC, 120 V, 0.5A, 50 Hz Interruttore protetto Acceptable for indoor and outdoor use 1251003</p> <p>⚠ WARNING</p> <p>To reduce the risk of injury, the user must read and understand operator's manual. To reduce the risk of electric shock, install only on a circuit protected by a ground fault circuit-interrupter (GFCI) - Risk of electric shock - This pump has not been investigated for use in swimming pools or marine areas. - This pump has been evaluated for use with water only. - DO NOT RUN DRY.</p>	
-------------------------------------------------------------------------------------------------------------------------------------------------------------------------------------------------------------------------------------------------------------------------------------------------------------------------------------------------------------------------------------------------------------------------------------------------------------------------------------------------------------------------------------------------------------------------	--

⚠ ADVERTENCIA
Para reducir el riesgo de lesiones, el usuario debe leer y comprender el manual del operador.
Para reducir el riesgo de descarga eléctrica, conecte solo a un receptáculo con conexión a tierra correctamente puesta a tierra.
- Para reducir el riesgo de descarga eléctrica, instale sólo en un circuito protegido con un interruptor de circuito con protección a tierra (GFCI).
- Riesgo de descarga eléctrica: no se ha investigado para uso de esta bomba en piscinas y áreas marítimas.
- Esta bomba ha sido evaluada para su uso con agua únicamente.
- NO DEBE FUNCIONAR EN SECO.

⚠ WARNING
Receptacle is for water pump only, 125V 0.5A MAX.

⚠ ADVERTENCIA
El receptáculo es solamente para la bomba de agua, 125V, 0,5A MAX.

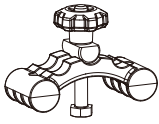
TROUBLESHOOTING

⚠ WARNING: To avoid injury from accidental starting, always turn switch OFF and unplug the tool before moving, replacing the wheel or making adjustments.

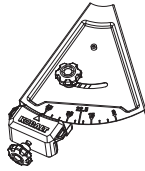
PROBLEM	PROBLEM CAUSE	CORRECTIVE ACTION
Motor does not start.	<ol style="list-style-type: none"> 1. Power cord is not plugged into the outlet. 2. Switch failure. 3. Brush worn. 4. Fuse blown or circuit breaker tripped on home panel. 	<ol style="list-style-type: none"> 1. Plug in properly. 2. Replace switch. 3. Replace brushes. See Maintenance section. 4. Verify there is electrical power at the outlet.
Saw is overheating.	<ol style="list-style-type: none"> 1. The saw continues to operate too long under pressure. 2. Blockage or dirt jams the ventilation slots of the motor. 	<ol style="list-style-type: none"> 1. Turn the saw off and let it rest until the motor is cool to touch. 2. Check and clean the ventilation slots of the motor, removing blockage or dirt.
Brush spark when switch released.	<ol style="list-style-type: none"> 1. Brush worn. 	<ol style="list-style-type: none"> 1. Replace brushes. See MAINTENANCE section.
The pump is not flowing water.	<ol style="list-style-type: none"> 1. Water amount is not enough. 2. Water hose is jammed by dirt. 	<ol style="list-style-type: none"> 1. Add water until the pump is submerged completely. 2. Clean the water hose and pump filter.
Cutting table is not sliding smoothly.	<ol style="list-style-type: none"> 1. Dirt or tile dust is jammed too much on the guide rails or cutting table rollers. 	<ol style="list-style-type: none"> 1. Clean the dirt.
Saw vibrates or shakes.	<ol style="list-style-type: none"> 1. Saw wheel not round / damaged / loose. 2. Wheel not tightened on saw, arbor nut loose. 	<ol style="list-style-type: none"> 1. Replace wheel. 2. Tighten arbor nut.

REPLACEMENT PARTS LIST

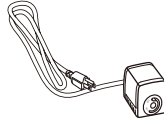
For replacement parts, call our customer service department at 888-3KOBALT(888-356-2258), 8 a.m. - 8 p.m., EST, Monday - Sunday. You could also contact us at partsplus@lowes.com.



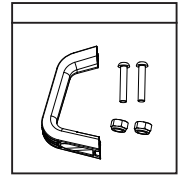
B



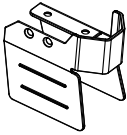
C



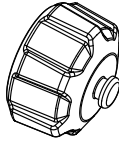
D



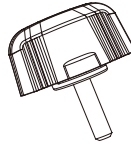
M



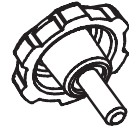
N



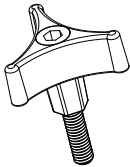
X



DD



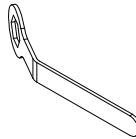
EE



GG



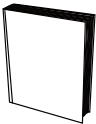
II



NN



PP



QQ



RR



SS

PART	DESCRIPTION	PART #
B	Tile clamp	50KG
C	Rip/Angle guide	50KF
D	Water pump	528E
M	Carry handle assembly hardware bag	50KH
N	Side splash guard	505W
X	Drain plug	530P
DD	Cutting head lock knob	52X4
EE	Sliding T-fence lock knob	505J
GG	Bevel lock knob	53KY
II	Rear splash guard	505V
NN	Wheel wrench	3ZYE
PP	Carbon brushes (set of 2)	3ZXC
QQ	Manual	52ZC
RR	5 mm hex wrench	3X8W
SS	Safety key	2X21

DISTRIBUTED BY:
Lowe's Home Centers LLC
1000 Lowe's Blvd., Mooresville, NC 28117

WARRANTY

The manufacturer will offer replacement parts for this product which under normal usage have proven to be defective in their manufacture or workmanship for a period of THREE (3) years from the date of initial retail purchase. This warranty is valid only to the original purchaser. This warranty is not transferable and does not cover any parts that have been subjected to misuse, abuse, alteration, overload, accident or normal wear of moving parts. Tools that have been sold "as is," sold reconditioned or used as rental equipment are not covered.

Warranty replacement parts can be obtained by contacting the manufacturer at 888-3KOBALT. Only the manufacturer is authorized to perform warranty service on this product. This warranty does not apply to accessories or damage caused where repairs have been made or attempted by others.

The manufacturer is not responsible for direct, indirect, incidental or consequential damages. Some states do not allow limitations on how long an implied warranty lasts and/or do not allow the exclusion or limitation of incidental damages, so the above limitations may not apply to you. This warranty gives you specific legal rights and you may also have other rights which vary from state to state.

The manufacturer makes no warranties, representations or promises as to the quality of its power tools other than those specifically stated in this warranty.

WARRANTY VOID IF PRODUCT USED FOR COMMERCIAL PURPOSES

For replacement parts, call our customer service department at 888-3KOBALT (888-356-2258).