

# **VEVOR<sup>®</sup>**

**TOUGH TOOLS, HALF PRICE**

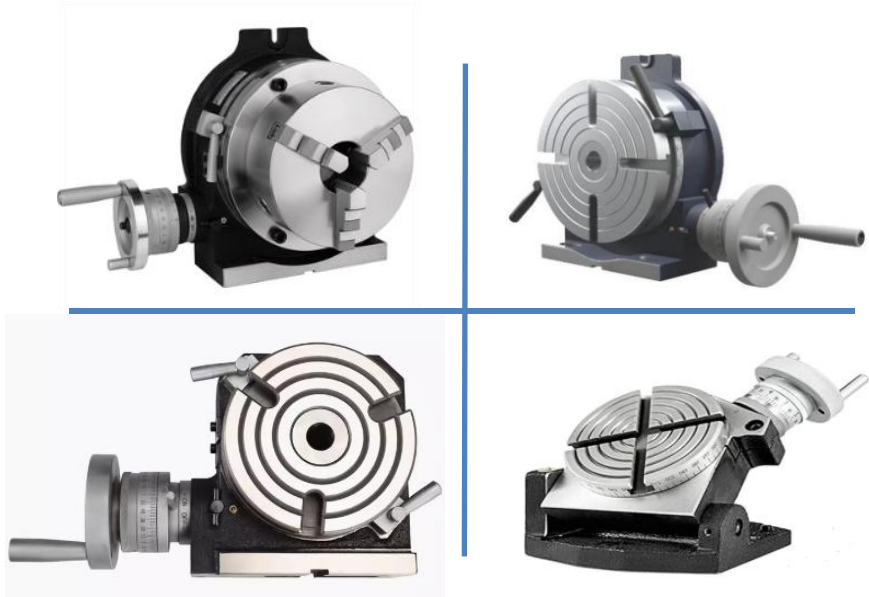
Technical Support and E-Warranty Certificate  
[www.vevor.com/support](http://www.vevor.com/support)

## **ROTARY TABLE**

**MODEL: HV-4-KP, HV-4-4, HV-4-4R,  
HV-6-4, HV-6-4B, HV-8-4, HV-8-3**

We continue to be committed to provide you tools with competitive price. "Save Half", "Half Price" or any other similar expressions used by us only represents an estimate of savings you might benefit from buying certain tools with us compared to the major top brands and does not necessarily mean to cover all categories of tools offered by us. You are kindly reminded to verify carefully when you are placing an order with us if you are actually saving half in comparison with the top major brands.

MODEL:HV-4-KP, HV-4-4 , HV-4-4R, HV-6-4, HV-6-4B,HV-8-4 HV-8-3



### NEED HELP? CONTACT US!

Have product questions? Need technical support? Please feel free to contact us:

**Technical Support and E-Warranty Certificate**  
[www.vevor.com/support](http://www.vevor.com/support)

This is the original instruction, please read all manual instructions carefully before operating. VEVOR reserves a clear interpretation of our user manual. The appearance of the product shall be subject to the product you received. Please forgive us that we won't inform you again if there are any technology or software updates on our product.



Warning-To reduce the risk of injury, user must read instructions manual carefully.

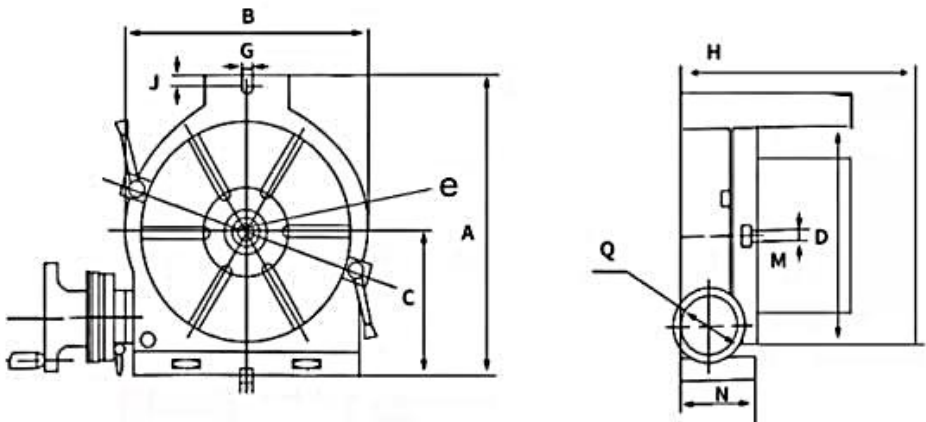


## PRECISION ROTARY TABLES

Two types of Rotary tables are summarized here collectively. The mechanisms common to these tables are shown on some pages of their description.


### HORIZONTAL/VERTICAL PRECISION ROTARY TABLE

This rotary table is designed to permit machining operations at a higher dimension than that of Horizontal Type rotary tables. The base can be used in a vertical position to enable it to carry out center work.

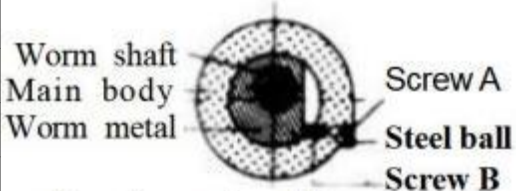


SPECIFICATIONS:

Unit: mm/inches

Horizontal/ Vertical Type	Model No.	Duter diameter	Height	Height	Worm Gear ratio	Center sileeve	Width of slots	Bolt slots
		D(inch/mm)	H(inch/mm)	C (inch/mm)	/	/	M(inch/mm)	G (inch/mm)
	HV-4-4R	4" 101.6mm	2.76" 70mm	3.35" 85mm	1:36	/	0.31" 8mm	/
	HV-4-KP	4" 101.6mm	4.72" 120mm	3.35" 85mm	1:36	/	/	/
	HV-4-4	4" 101.6mm	3.35" 85mm	3.35" 85mm	1:72	MT2	0.47" 12mm	0.55" 14mm
	HV-6-4B	6" 152.4mm	3.35" 85mm	3.94" 100mm	1:90	MT2	0.55" 14mm	0.63" 16mm
	HV-6-4	6" 152.4mm	3.35" 85mm	3.94" 100mm	1:90	MT2	0.55" 14mm	0.63" 16mm
	HV-8-4	8" 203.2mm	4.13" 105mm	5.31" 135mm	1:90	MT3	0.55" 14mm	0.63" 16mm
	HV-8-3	8" 203.2mm	4.13" 105mm	5.31" 135mm	1:90	MT3	0.55" 14mm	0.63" 16mm

Model	HV-3"	HV-4"	HV-5"
A	98	145	155
B	78	114	127
C	59	85.5	90
D	F76.2	F110	F127
E	12	12	12
G			
H	83	85	85
J			15
M	MT2		MT2
N	71	68	68



Worm shaft  
Main body  
Worm metal

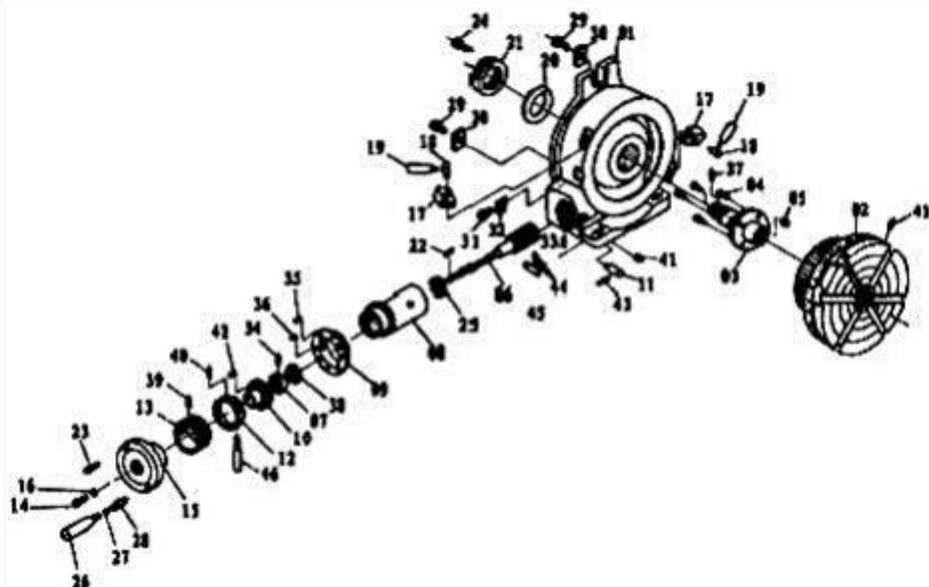
Screw A  
Steel ball  
Screw B

Showing section A|B

**Fig.1**

**1.Adjusting Mesh of Worm Gear:** Loosen the metal clamp handle and turn the switch metal clockwise until it touches the stopper. The worm gear has now been disengaged. Turn it counterclockwise until it touches the stopper, the worm and gear wheel will engage. Tighten the metal clamp handle after engagement. An additional adjustment can be obtained by removing the screw ④ and steel ball and turning the inner screw ⑥ counterclockwise, so bringing the worm in closer engagement with the gear wheel. Turning clockwise brings the worm away from the wheel. After adjustment insert the steel ball and tighten the screw ④

**2.Axial Adjustment of Worm Shaft:** When axial slack occurs gear adjustment is carried out by tightening the inside worm shaft nut after the handle, vernier ring and switch metal have been removed. After adjustment lock the nut on the shaft by means of the set screw. (The ERT-6 has an adjusting nut, which can be used after removal of the handle.)



## PARTS LIST For HV6,HV8,HV10,HV12,HV14,HV16

Part No.	Description	Part No.	Description
HV-P01	Main body	HV-P24	Hex.socket cap screw
HV-P02	Table	HV-P25	Bearing thrust collar
HV-P03	Table sleeve	HV-P26	Handle
HV-P04	Hex.socket cap screw	HV-P27	Circlips
HV-P05	Oil cup	HV-P28	Screw rod
HV-P06	Worm rod	HV-P29	Hex.socket cap screw
HV-p07	Lock nuts	HV-P30	Guide key
HV-P08	Worm metal	HV-P31	Hex.socket cap screw
HV-P09	Adjusting dial	HV-P32	Limit Plate
HV-P10	Adjusting dial	HV-P33	Set screw
HV-P11	Metal setting screw	HV-P34	Set screw
HV-P12	Vernier ring	HV-P35	Hex.socket cap screw
HV-P13	Micro-collar	HV-P36	Set screw
HV-P14	Hex.Socket cap screw	HV-P37	Pin
HV-P15	Handle wheel	HV-P38	Bearing thrust collar
HV-P16	Washer	HV-P39	Collar set screw
HV-P17	Clamp piece	HV-P40	Collar set screw
HV-P18	Clamp bolt	HV-P41	Oil cup
HV-P19	Clamp handle	HV-P42	Hex.socket cap screw
HV-P20	Ring	HV-P43	Lock handle
HV-P21	Lock nuts	HV-P44	Rivets
HV-P22	Key	HV-P45	Plate
HV-P23	Handle	HV-P46	Handle

## Operating Instruction and Function of Each Unit

1.The worm gear ratio is 1:90.

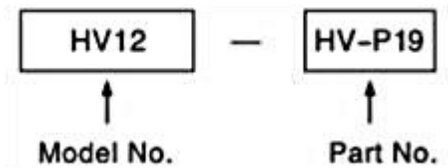
- one tum of the handle moves the table by  $4^\circ$
- Micro-collar is graduated in steps of 1 min.
- Vernier scale makes settings down to 10 seconds possible.  
(20 seconds for (HV6)

2.Dividing of 2 to 100 can be carried out quickly and accurately by attaching a Dividing Mechanism.

3.Center work can also be carried out by using the base in the vertical position in conjunction with a tailstock.(See Page 4.)

### \* Suggestions for Order

When ordering parts for replacement,indicate Model No.and Part No.

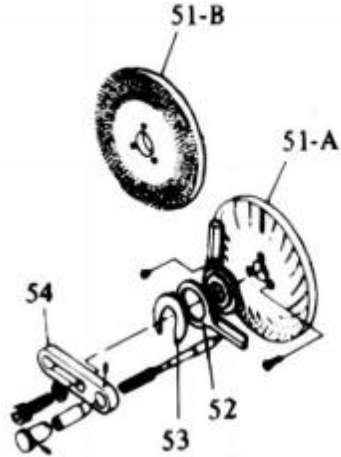


## OPTIONAL ACCESSORIES DIVIDING PLATES

### Dividing Mechanism



Dividing Plate set includes index plate,crank handle,3 pcs screw,sector,& U-washer



### RT with Dividing Plate

### SPECIFICATIONS FOR DIVIDING PLATES

Unit:mm/inches

MODEL NO	Major dimension of DM				Weight kg/lb	Applicable table	
	Dividing Plate set screw	Inner diameter of sector am	Outer diameter of spring clip	Grove width in handle plate			
DP-1	PCD.(32/ 1.26)F	21 0.83	18 0.71	9 0.03	25 5.51	MINI (HV3HV4/HV5) HV6	P7P9P10
DP-2	(3holes) PCD.46/1.81	28.7 1.12	44 1.73	10 0.39	4 8.82	HV8,10, 12, 14,16	P7P9P10

## In case of An Optional DM Device Attached

Indexing of 2 to 100 can be made accurately and quickly.

### Equation of Indexing

Since the worm ratio is 1:90,when the handle is made to rotate a 360°revolution,the table therefore will rotate a 1/90 revolution.The relationships between handle revolution 'N' and individual number 'T' to be sought are shown in the following equation:

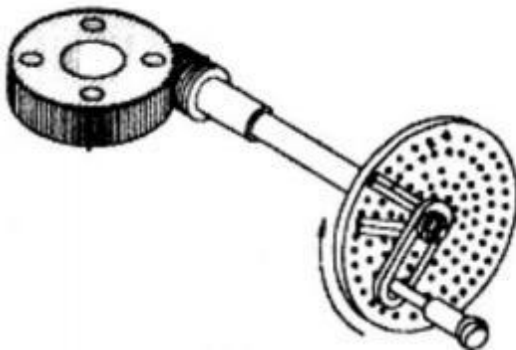
$$N = \frac{90}{T}$$

Remarks:The index table on Page 6 is made on the basis of this equation.

### (Example)

In case where the operator wants to index the position divided into 29 equal parts.Hints on operation As for 29 individual numbers, the number

of crank handle revolutions (N)is  $3 \frac{9}{87}$  as shown in the table on Page 6,So that the handle should be rotated a full 360°revolution three times plus an interval of nine holes (in this time,it means hole intervals not hole numbers).After setting this point as a start point,rotate the handle a full 360°revolution three times plus an interval of nine holes (in this time,it means hole intervals not hole numbers).After setting this point as a start point,rotate the handle a full 360°revolution three times plus an interval of nine holes.When the procedure is repeated in turn as many as 29 times,the indexing of dividing into 29 equal parts is thus achieved.



## Operations of Crank Handle and Sector

In case of the Example 'Division into 29 Equal Parts' aforesaid, it is natural that indexing operation should proceed with the intervals of nine holes after setting the index plate (B plate) on which a row of 87 holes are provided. But in this method, the operator has to count nine holes' intervals one by one. He must feel inefficient. In this viewpoint, it is necessary to use a device called 'sector' to avoid such troublesome procedures. The following will describe some necessary procedures for operation of the sector.

a. Loosen the crank handle lock nut, adjust its length so as to cause the index pin to fall in the train of 87 holes, and tighten it.

b. Loosen the set-screws of the sector. open two arms in accordance with the interval of nine holes (total numbers of holes is ten), and tighten with setscrews.

c. First, bring the left arm of the sector near to the index pin's left side.

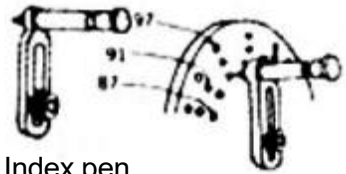
d. Next, rotate the crank handle clockwise to apply it to the right arm of the sector so that the index pin will fall in the hole located at this right arm's left side surface.

e. Rotate the sector clockwise this time, and put the right side surface of the left arm to the left side of the index pin. In this time, the relationships between the index pin and the sector's left arm in their positions are the same as in Par.c).

The index plate hole that actually accommodates the index pin is located at the point where it goes across ten holes to the right away from the hole as in par.c)c.

f. Repeat the same procedures as necessary.

Crank handle



Index pen

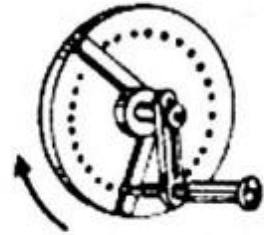


Fig 5



Fig 6

Fig 7

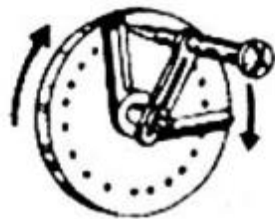


Fig 8

**Index Table(For worm ratio 1:90) DP-1 For HV6/MINI(HV3/HV4/HV5)**

T	H	N	T	H	N	T	H	N
1			43		2 4/43	82	C-41	1 4/11
2		45	44	C-43		83		
3		30	45		2	84		
4	A-20	22 10/20	46	B-23	1 22/23	85		
5		18	47	C-47	1 43/47	86	C-43	1 2/43
6		15	48	A-16	1 14/16	87	B-29	1 1/29
7	B-21	12 8/21	49	C-49	1 41/49	88		
8	A-20	11 5/20	50	A-20	1 16/20	89		
9		10	51			90		
10		9	52			91		
11	B-33	8 6/33	53			92		
12	A-20	7 10/20	54	A-18	1 12/18	93	B-31	30/31
13	C-39	6 30/39	55	B-33	1 21/33	94	C-47	45/47
14	B-21	6 9/21	56			95	A-19	18/19
15		6	57	A-19	1 11/19	96	A-16	15/16
16	A-16	5 10/16	58	B-29	1 16/29	97		
17	A-17	5 5/17	59			98	C-49	45/49
18		5	60	A-20	1 1/20	99	B-33	30/33
19	A-19	4 14/19	61			100	A-20	18/20
20	A-20	4 10/20	62	B-31	1 14/31			
21	B-21	4 6/21	63	B-21	1 9/21			
22	B-33	4 3/33	64					
23	B-23	3 21/23	65	C-39	1 15/39			
24	A-20	3 15/20	66	B-33	1 12/33			
25	A-20	3 12/20	67					
26	C-39	3 18/39	68					
27	A-18	3 6/18	69	B-23	1 7/23			
28			70	B-21	1 6/21			
29	B-29	3 3/29	71					
30		3	72	A-20	1 5/20			
31	B-31	2 28/31	73					
32	A-16	2 13/16	74	C-37	1 8/37			
33	B-33	2 24/33	75	A-20	1 4/20			
34	A-17	2 11/17	76					
35	B-21	2 12/21	77					
36	A-20	2 10/20	78	C-39	1 6/39			
37	C-37	2 16/37	79					
38	A-19	2 7/19	80	A-16	1 2/16			
39	C-39	2 12/39	81	A-18	1 2/18			
40	A-20	2 15/20						
41	C-41	2 8/41						
42	B-21	2 3/21						

## DP-2 For HV8,HV10,HV12,HV14,HV16

T	H	N	T	H	N	T	H	N
2		45	32	A-32	2 26/32	65	B-91	1 35/91
3		30	33	B-99	2 72/99	66	A-44	1 16/44
4	A-26	22 13/26	34	A-34	2 22/34	67	B-99	1 36/99
	A-28	22 14/28		A-28	2 16/28		B-67	1 23/67
5		18	35	B-63	2 36/63	68	A-34	1 11/34
6		15		A-26	2 13/26	69	A-46	1 14/46
7	A-28	12 24/28	36	A-28	2 14/28		70	B-69
	A-77	12 66/77		A-37	2 16/37	A-28		1 8/28
8	A-28	11 7/28	37	A-38	2 14/38	71	B-63	1 18/63
	A-44	11 11/44		A-26	2 8/26		B-71	1 19/71
9		10	38	B-91	2 28/91	72	A-32	1 8/32
10		9		A-28	2 7/28		A-44	1 11/44
11	A-44	8 8/44	39	A-44	2 11/44	73	B-73	1 17/73
	B-77	8 14/77		A-41	2 8/41		74	A-37
12	A-26	7 13/26	40	A-28	2 4/28	75	A-30	1 6/30
	A-28	7 14/28		B-63	2 9/63		76	A-38
13	A-29	6 24/26	41	A-43	2 4/43	77	B-77	1 13/77
	B-91	6 84/91		A-44	2 2/44		78	A-39
14	A-28	6 12/28	42		2	79		B-91
	B-77	6 33/77		A-46	1 44/46		B-79	1 11/79
15		6	43	B-69	1 66/69	80	A-32	1 4/32
16	A-32	5 20/32		A-47	1 43/47		81	B-63
17	A-34	5 10/34	44	A-32	1 28/32	82	B-81	1 9/81
18		5		A-49	1 41/49		A-41	1 4/41
19	A-38	4 28/38	45	A-30	1 24/30	83	B-83	1 7/83
20	A-26	4 13/26		46	A-34		1 26/34	84
	A-28	4 14/28	A-26		1 19/26	85	A-34	
21	A-28	4 8/28	47	A-53	1 37/53	86	A-43	1 2/43
	B-77	4 22/77		48	A-30		1 20/30	87
22	A-44	4 4/44	49		B-63	1 42/63	88	A-44
	B-77	4 7/77		50	A-44	1 28/44		89
23	A-46	3 42/46	51		B-77	1 49/77	90	
	B-69	3 63/69		A-28	1 17/28	91		B-91
24	A-28	3 21/28	52	B-38	1 22/38	92	A-46	45/46
	B-44	3 33/44		B-87	1 48/87		93	B-93
25	A-30	3 18/30	53	A-59	1 31/59	94	A-47	45/47
26	A-26	3 12/26		54	A-34		1 17/34	95
	B-91	3 42/91	A-32		1 16/32	96	A-32	
27	A-30	3 10/30	55	B-61	1 29/61	97	B-97	90/97
	B-63	3 21/63		B-93	1 42/93		98	A-49
28	A-28	3 6/28	56	B-49	1 21/49	99	A-44	40/44
29	B-87	3 9/87		57	B-77		1 33/77	B-99
30		3	58		A-32	1 13/32	100	A-30
31	B-93	2 84/93		59	A-26	1 10/26		

### Description of in the index table.

This table is the one being calculated for the index plate with hole numbers shown below.

### Description of codes used in the index table

T: Desired individual number

N: Number of revolutions of the index plate

:Option

A: Using A plate

B: Using B plate

### **Number of holes**

#### **DP-1**

A Plate 15, 16,17, 18,19,20

B Plate 21,23,27,29,31,33

C Plate 37,39,41,43,47,49

#### **DP-2**

A Plate 26,28,30,32,34,37,38,39,41,43,44,46,47,49,51,53,57,59

B Plate 61,63,67,69,71,73,77,79,81,83,87,89,91,93,97,99

# **PARTS LIST**

**Model: HV-4-KP**

- 1. Main body \* 1**
- 2. Handle \* 2**
- 3. Chuck wrench \* 1**
- 4. Reverse jaws \* 1 set (3pcs)**
- 5. M10 \* 40 T-bolt \* 2**
- 6. M10 nut \* 2**
- 7. Instructions \* 1**

**Model: HV-4-4**

- 1. Main body \* 1**
- 2. Handle \* 2**
- 3. M6 \* 55 bolt \* 2**
- 4. M6 nut \* 2**
- 5.  $\varnothing$  6 flat gasket \* 2**
- 6. Positioning block \* 2**
- 7. Pressing plate \* 2**
- 8. Cushion block \* 2**
- 9. Instructions \* 1**
- 10. A partition board \* 1**
- 11. B partition board \* 1**
- 12. C partition board \* 1**
- 13. Rocker handle \* 1**
- 14. M8 \* 70 hex socket handle screw \* 1**
- 15. Division plate positioning regulator \* 1**
- 16. Limit block \* 1**
- 17. Circlip \* 1**
- 18. M5 \* 10 Phillips screw \* 3**

**Model: HV-4-4R**

- 1. Main body \* 1**
- 2. Handle \* 2**
- 3. M6 \* 55 bolt \* 2**
- 4. M6 nut \* 2**
- 5.  $\varnothing$  6 flat gasket \* 2**
- 6. Positioning block \* 2**
- 7. Pressing plate \* 2**
- 8. Cushion block \* 2**
- 9. Instructions \* 1**

**Model: HV-6-4B**

- 1. A partition board \* 1**
- 2. B partition board \* 1**
- 3. C partition board \* 1**
- 4. Rocker handle \* 1**
- 5. M8 \* 70 hex socket handle screw \* 1**
- 6. Division plate positioning regulator \* 1**
- 7. Limit block \* 1**
- 8. Circlip \* 1**
- 9. M5 \* 10 Phillips screw \* 3**
- 10. M5 \* 10 hex socket screw \* 4**
- 11. Positioning block \* 4**
- 12. M12 \* 40 T-bolt \* 2**
- 13. Nut \* 2**
- 14. Internal hexagonal wrench \* 1**
- 15. Instructions \* 1**

**Model: HV-6-4**

1. Main body \* 1
2. Rocker handle \* 1
3. M8 \* 70 hex socket handle screw \* 1
4. M5 \* 10 hex socket screw \* 4
5. Positioning block \* 4
6. M12 \* 40 T-bolt \* 2,
7. Nut \* 2
8. Instructions \* 1

**Model: HV-8-4**

1. Main body \* 1
2. Handle \* 2
3. Nut \* 2
4. M10 \* 80 hexagonal handle bolt \* 1
5. Positioning block \* 4
6. M5 \* 8 hexagonal socket bolt \* 4
7. M14 \* 60 T-bolt \* 2
8. Internal hexagonal wrench \* 1
9. Instructions \* 1

**Model: HV-8-3**

1. Main body \* 1
2. Handle \* 2
3. M10 \* 80 hex socket handle screw \* 1
4. Positioning block \* 4
5. M5 \* 8 hexagonal socket bolt \* 4
6. M14 \* 60 T-bolt \* 2
7. Internal hexagonal wrench \* 1
8. Nut \* 2
9. Instructions \* 1

**Address:** Baoshanqu Shuangchenglu 803long 11hao 1602A-1609shi  
Shanghai

**Imported to AUS:** SIHAO PTY LTD. 1 ROKEVA STREETEASTWOOD  
NSW 2122 Australia

**Imported to USA:** Sanven Technology Ltd. Suite 250. 9166 Anaheim  
Place, Rancho Cucamonga, CA 91730



SHUNSHUN GmbH  
Römeräcker 9 Z2021, 76351 Linkenheim-  
Hochstetten, Germany



Pooledas Group Ltd  
Unit 5 Albert Edward House, The  
Pavilions Preston, United Kingdom

**Made In China**



**VEVOR<sup>®</sup>**

**TOUGH TOOLS, HALF PRICE**

Technical Support and E-Warranty Certificate  
[www.vevor.com/support](http://www.vevor.com/support)

# **VEVOR<sup>®</sup>**

**TOUGH TOOLS, HALF PRICE**

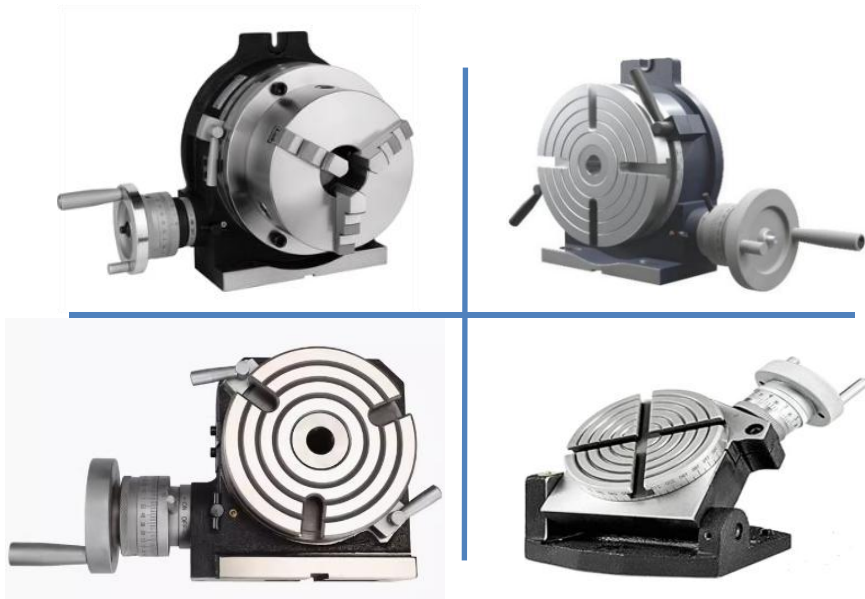
Assistance technique et certificat de garantie électronique  
[www.vevor.com/support](http://www.vevor.com/support)

## **ROTATIF \_ TABLEAU**

**MODÈLE : HV-4-KP, HV-4-4, HV-4-4R,  
HV-6-4, HV-6-4B, HV-8-4 , HV-8-3**

We continue to be committed to provide you tools with competitive price. "Save Half", "Half Price" or any other similar expressions used by us only represents an estimate of savings you might benefit from buying certain tools with us compared to the major top brands and does not necessarily mean to cover all categories of tools offered by us. You are kindly reminded to verify carefully when you are placing an order with us if you are actually saving half in comparison with the top major brands.

MODÈLE : HV-4-KP, HV-4-4, HV-4-4R, HV-6-4, HV-6-4B, HV-8-4 HV-8-3



### BESOIN AIDE ? CONTACT NOUS !

Avoir produit des questions ? Besoin technique soutien ? S'il te plaît sentir gratuit contacter nous :

**Technique Soutien et E - Garantie Certificat**  
**[www.vevor.com/support](http://www.vevor.com/support)**

Ce est le original instructions, veuillez lire attentivement toutes les instructions du manuel avant de l'utiliser. VEVOR se réserve une interprétation claire de notre utilisateur manuel . Le apparence de le le produit sera soumis au produit toi reçu. Veuillez nous pardonner, nous ne vous informerons plus s'il y a sont n'importe lequel technologie ou logiciel mises à jour sur notre produit .



le risque de blessure, l'utilisateur doit lire les instructions manuel soigneusement .

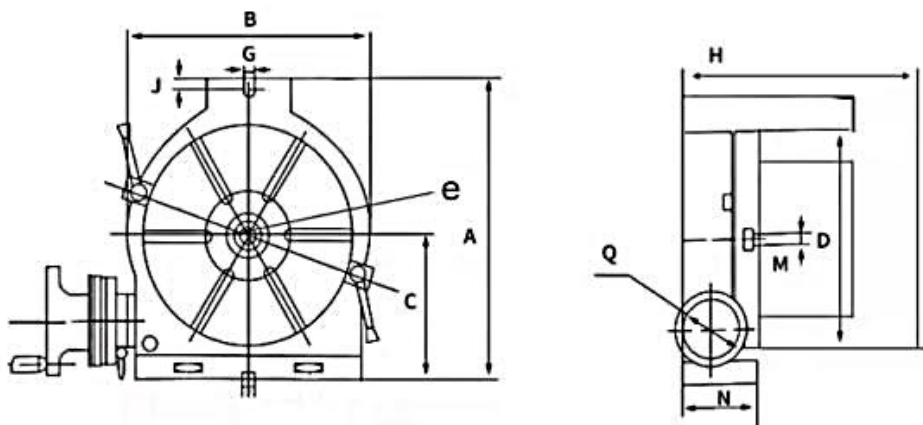


## PRECISION ROTARY TABLES

Deux types de tables rotatives sont résumés ici collectivement . Les mécanismes commun à ces les tables sont présentés sur certaines pages de leur description .


HORIZONTAL VERTICAL \_ PRÉCISION ROTATIF TABLEAU

Ce rotatif tableau est conçu pour le permettre usinage opérations à un plus haut dimension supérieure à celle de la table rotative de type horizontal . La base peut être utilisé dans un position verticale \_ à activer il à porter hors centre travail .



CARACTÉRISTIQUES : \_

Unité : mm/pouces

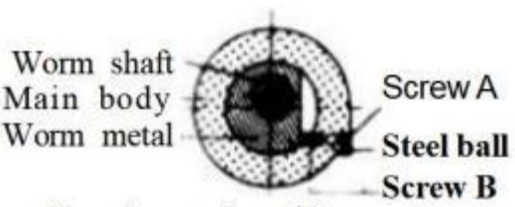
Horizontal/ Vertical Type	Model No.	Duter diameter	Height	Height	Worm Gear ratio	Center sileeve	Width of slots	Bolt slots
		D(inch/mm)	H(inch/mm)	C (inch/mm)	/	/	M(inch/mm)	G (inch/mm)
	HV-4-4R	4" 101.6mm	2.76" 70mm	3.35" 85mm	1:36	/	0.31" 8mm	/
	HV-4-KP	4" 101.6mm	4.72" 120mm	3.35" 85mm	1:36	/	/	/
	HV-4-4	4" 101.6mm	3.35" 85mm	3.35" 85mm	1:72	MT2	0.47" 12mm	0.55" 14mm
	HV-6-4B	6" 152.4mm	3.35" 85mm	3.94" 100mm	1:90	MT2	0.55" 14mm	0.63" 16mm
	HV-6-4	6" 152.4mm	3.35" 85mm	3.94" 100mm	1:90	MT2	0.55" 14mm	0.63" 16mm
	HV-8-4	8" 203.2mm	4.13" 105mm	5.31" 135mm	1:90	MT3	0.55" 14mm	0.63" 16mm
	HV-8-3	8" 203.2mm	4.13" 105mm	5.31" 135mm	1:90	MT3	0.55" 14mm	0.63" 16mm

Modèle	HT - 3"	HT - 4"	HT - 5"
UN	98	145	155
B	78	114	127
C	59	85,5	90
D	F7 6.2	F110	F 127
E	12	12	12
g			
H	83	85	85
J.			15
M.	MT2		MT2
N	71	68	68

Worm shaft

Main body

Worm metal



Screw A

Steel ball

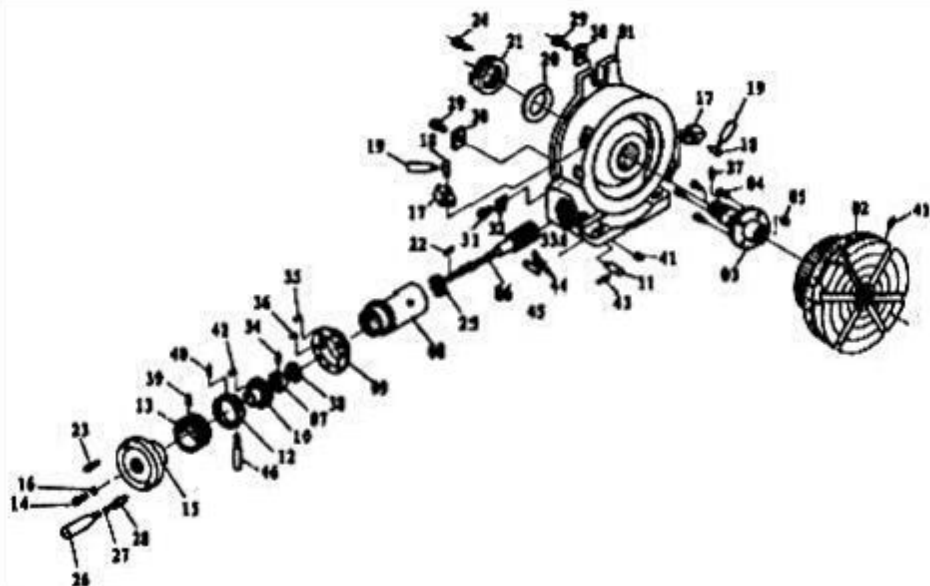
Screw B

Showing section A|B

**Fig.1**

**1.Ajustement Engrener de Ver Engrenage :** Desserrer le métal serrer poignée et tourne \_ le changer métal dans le sens des aiguilles d'une montre jusqu'à il touche le bouchon . Le ver l'équipement a maintenant a été désengagé . Tourner il dans le sens inverse des aiguilles d'une montre jusqu'à il touche le bouchon, le ver et engrenage roue volonté s'engager . Serrer le métal poignée de serrage après fiançailles . Un réglage supplémentaire peut être obtenu en supprimant le vis ④ et la bille d'acier et en tournant la vis intérieure ⑥ dans le sens inverse des aiguilles d'une montre , rapprochant ainsi la vis sans fin de l'engrenage. roue . Tournant dans le sens des aiguilles d'une montre apporte le ver loin de la roue. Après réglage insérer le acier boule et serrez la vis ④

**2.Axia l Ajustement de Ver Arbre :** Quand axial mou se produit réglage des vitesses est porté dehors par serrage l'écrou intérieur de l'arbre à vis sans fin après que la poignée, l'anneau vernier et le métal de l'interrupteur ont été retirés. Après ajustement . bloquer l'écrou sur l' arbre par moyens de le ensemble vis . ( Le ERT -6 a un ajustement noix , qui peut être utilisé après le retrait de la poignée.)



## PARTS LIST For HV6,HV8,HV10,HV12,HV14,HV16

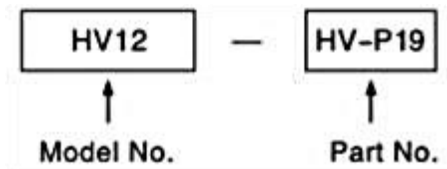
Part No.	Description	Part No.	Description
HV-P01	Main body	HV-P24	Hex.socket cap screw
HV-P02	Table	HV-P25	Bearing thrust collar
HV-P03	Table sleeve	HV-P26	Handle
HV-P04	Hex.socket cap screw	HV-P27	Circlips
HV-P05	Oil cup	HV-P28	Screw rod
HV-P06	Worm rod	HV-P29	Hex.socket cap screw
HV-p07	Lock nuts	HV-P30	Guide key
HV-P08	Worm metal	HV-P31	Hex.socket cap screw
HV-P09	Adjusting dial	HV-P32	Limit Plate
HV-P10	Adjusting dial	HV-P33	Set screw
HV-P11	Metal setting screw	HV-P34	Set screw
HV-P12	Vernier ring	HV-P35	Hex.socket cap screw
HV-P13	Micro-collar	HV-P36	Set screw
HV-P14	Hex.Socket cap screw	HV-P37	Pin
HV-P15	Handle wheel	HV-P38	Bearing thrust collar
HV-P16	Washer	HV-P39	Collar set screw
HV-P17	Clamp piece	HV-P40	Collar set screw
HV-P18	Clamp bolt	HV-P41	Oil cup
HV-P19	Clamp handle	HV-P42	Hex.socket cap screw
HV-P20	Ring	HV-P43	Lock handle
HV-P21	Lock nuts	HV-P44	Rivets
HV-P22	Key	HV-P45	Plate
HV-P23	Handle	HV-P46	Handle

## En fonctionnement Instruction et Fonction de Chaque Unité

1. Le rapport d'engrenage à vis sans fin est de 1:90.
  - un tour de la poignée se déplace le tableau par 4 °
  - Micro - collier est réglé dans pas de 1 mn .
  - Vernier échelle fait du paramètres vers le bas à 10 secondes possible . (20 secondes ds pour ( HT 6)
2. Diviser de 2 à 100 peut être effectué rapidement et avec précision en attachant un Partage Mécanisme .
3. Centre travail peut aussi être porté dehors en utilisant la base en position verticale en conjonction avec une contre-pointe. (Voir page 4.)

### \* Suggestions pour Commande

Quand commande les pièces pour remplacement , indiquer Modèle Non . et Partie Non .

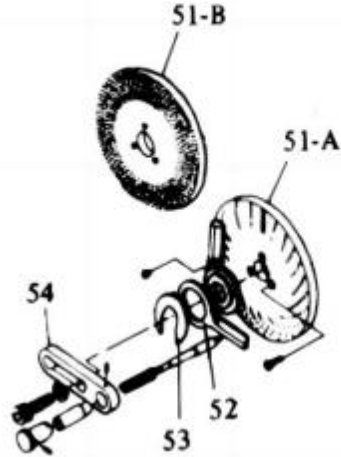


## OPTIONAL ACCESSORIES DIVIDING PLATES

### Dividing Mechanism



Dividing Plate set includes index plate, crank handle, 3 pcs screw, sector, & U-washer



### RT avec Diviser \_ Plaque

### CARACTÉRISTIQUES \_ POUR PARTAGE PLAQUES

U nit : mm / pouces

MODÈL E_ NON —	Dimensions majeures de DM				Poids kg / lb _	En vigueur tableau	
	Plaque de séparation vis de réglage	Intérieur diamètre de secteur suis	extérieur r du ressort agrafe	Largeur du bosquet dans la poignée plaque —			
DP - 1	PCD.(32/ 1.26) F	21 0.83	18 0.71	9 0.03	25 5.51	MINI ( HV3HV4 / HV5 ) HV6	P7P9P10 -----
DP -2	( 3 trous) PCD . 46/1,81	28.7 _ 1.12	44 1,73 _	dix _ 0.39	4 8.82	HV8,10, 12, 14,16	P7P9P10 -----

## Dans cas de Un Facultatif DM Appareil \_ Ci-joint

Indexage de 2 à 100 canettes être fait avec précision et rapidement.

### Équation de Indexation \_

Depuis le ver rapport est de 1:90, lorsque l'on fait tourner la poignée sur un tour de 360°, le tableau donc volonté faire un tour de 1/90. Les relations entre poignée révolution ' N ' et numéro individuel ' T ' à être recherché sont montré dans l'équation suivante :

$$N = \frac{90}{T}$$

Remarques : Le Le tableau d'indexation de la page 6 est réalisé sur la base de cette équation.

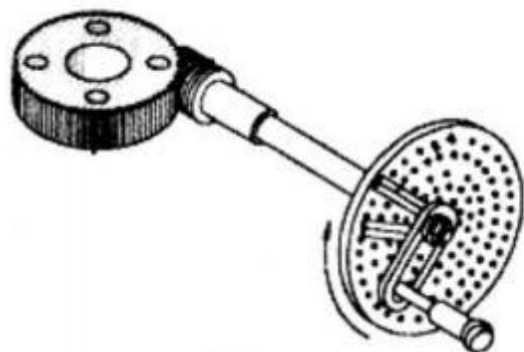
### ( Exemple )

Dans le cas où le opérateur veut à indice le position divisé en 29 égaux les pièces . Astuces sur opération Comme pour 29 personnes les chiffres , les nombre

de manivelle poignée tours ( N ) est  $3 \frac{9}{87}$  comme montré dans le

tableau sur Page

6, donc que le poignée doit être tourné sur un tour complet de 360° trois fois et plus un intervalle de neuf trous ( dans ce temps , cela signifie les intervalles de trous et non les numéros de trous ). Après paramètre ce indiquer comme un commencer point , faites pivoter la poignée d'un tour complet de 360° trois fois plus un intervalle de neuf trous ( dans ce le temps , ça veut dire trou intervalles pas trou Nombres ). Après avoir défini ce point comme point de départ , faites pivoter la poignée fait un tour complet de 360° trois fois plus un intervalle de neuf des trous . Quand le procédure est répété à son tour jusqu'à 29 fois, l' indexation de partage en 29 parties égales est ainsi réalisé.



## Opérations \_ de Manivelle Poignée et Secteur

Au cas où de le Exemple ' Division en 29 Égal Pièces ' susvisées , il est il est naturel que l'opération d'indexation se poursuive avec le intervalles de neuf des trous après réglage le indice plaque ( B plaque ) sur lequel un rangée de 87 trous sont prévus . Mais dans cette méthode, l'opérateur doit compter les intervalles de neuf trous un par un . Il doit se sentir inefficace. De ce point de vue, il est nécessaire d'utiliser un dispositif appelé « secteur » pour éviter l'identification tel gênant procédures . Le suivant sera décrire quelques procédures nécessaires au fonctionnement du secteur.

un . Desserrer le manivelle poignée verrouillage écrou , ajustez son longueur donc comme à cause le indice épingle à tomber dedans le former de 87 trous , et serrer il .

b . Desserrer le ensemble - vis de le secteur . ouvrir deux bras dans conformité avec le intervalle de neuf trous ( total Nombres de des trous est dix ) , et serrer avec vis de réglage .

c . Tout d'abord , apportez le gauche bras de le secteur près de le indice des épingle \_ gauche côté .

d . Ensuite , faites pivoter le manivelle poignée dans le sens des aiguilles d'une montre postuler il à le droite bras de le secteur donc que le indice épingle volonté automne dans le trou situé à ceci droite bras \_ \_ gauche côté surface .

e . Tourner le secteur dans le sens des aiguilles d'une montre ce temps , et mettre le droite côté surface de le gauche bras au gauche côté de le indice épingle . Dans ce le temps , les relations entre le indice épingle et le secteur \_ gauche bras dans leur postes sont le même comme dans Par . c ) .

Le indice plaque trou que accueille réellement le indice épingle est situé au indiquer où il va à travers dix des trous au droite loin depuis le trou comme dans par . c ) c . F . Répéter le même procédures le cas échéant .



figure 5

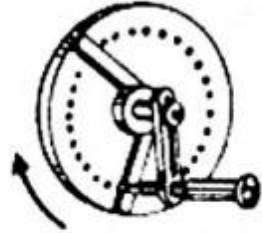


figure 6



Fig 7

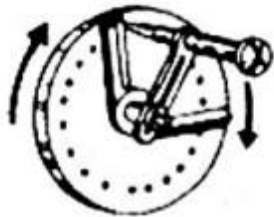


figure 8

**Indice Tableau ( Pour ver rapport 1 : 90) DP-1 Pour  
HV6/MINI(HV3/HV4/HV5)**

T	H	N	T	H	N	T	H	N
1			43		2 4/43	82	C-41	1 4/11
2		45	44	C-43		83		
3		30	45		2	84		
4	A-20	22 10/20	46	B-23	1 22/23	85		
5		18	47	C-47	1 43/47	86	C-43	1 2/43
6		15	48	A-16	1 14/16	87	B-29	1 1/29
7	B-21	12 8/21	49	C-49	1 41/49	88		
8	A-20	11 5/20	50	A-20	1 16/20	89		
9		10	51			90		
10		9	52			91		
11	B-33	8 6/33	53			92		
12	A-20	7 10/20	54	A-18	1 12/18	93	B-31	30/31
13	C-39	6 30/39	55	B-33	1 21/33	94	C-47	45/47
14	B-21	6 9/21	56			95	A-19	18/19
15		6	57	A-19	1 11/19	96	A-16	15/16
16	A-16	5 10/16	58	B-29	1 16/29	97		
17	A-17	5 5/17	59			98	C-49	45/49
18		5	60	A-20	1 1/20	99	B-33	30/33
19	A-19	4 14/19	61			100	A-20	18/20
20	A-20	4 10/20	62	B-31	1 14/31			
21	B-21	4 6/21	63	B-21	1 9/21			
22	B-33	4 3/33	64					
23	B-23	3 21/23	65	C-39	1 15/39			
24	A-20	3 15/20	66	B-33	1 12/33			
25	A-20	3 12/20	67					
26	C-39	3 18/39	68					
27	A-18	3 6/18	69	B-23	1 7/23			
28			70	B-21	1 6/21			
29	B-29	3 3/29	71					
30		3	72	A-20	1 5/20			
31	B-31	2 28/31	73					
32	A-16	2 13/16	74	C-37	1 8/37			
33	B-33	2 24/33	75	A-20	1 4/20			
34	A-17	2 11/17	76					
35	B-21	2 12/21	77					
36	A-20	2 10/20	78	C-39	1 6/39			
37	C-37	2 16/37	79					
38	A-19	2 7/19	80	A-16	1 2/16			
39	C-39	2 12/39	81	A-18	1 2/18			
40	A-20	2 15/20						
41	C-41	2 8/41						
42	B-21	2 3/21						

## DP -2 Pour HT 8, HT 10, HT 12, HT 14, HT 16

T	H	N	T	H	N	T	H	N
2		45	32	A-32	2 26/32	65	B-91	1 35/91
3		30	33	B-99	2 72/99	66	A-44	1 16/44
4	A-26	22 13/26	34	A-34	2 22/34	67	B-99	1 36/99
	A-28	22 14/28		A-28	2 16/28		B-67	1 23/67
5		18	35	B-63	2 36/63	68	A-34	1 11/34
6		15		A-26	2 13/26	69	A-46	1 14/46
7	A-28	12 24/28	36	A-28	2 14/28		70	B-69
	A-77	12 66/77		37	A-37	2 16/37		A-28
8	A-28	11 7/28	38	A-38	2 14/38	71	B-63	1 18/63
	A-44	11 11/44		39	A-26		2 8/26	B-71
9		10	40		B-91	2 28/91	72	A-32
10		9		A-28	2 7/28	A-44		1 11/44
11	A-44	8 8/44	41	A-44	2 11/44	73	B-73	1 17/73
	B-77	8 14/77		A-41	2 8/41		74	A-37
12	A-26	7 13/26	42	A-28	2 4/28	75	A-30	1 6/30
	A-28	7 14/28		B-63	2 9/63		76	A-38
13	A-29	6 24/26	43	A-43	2 4/43	77	B-77	1 13/77
	B-91	6 84/91		44	A-44		2 2/44	78
14	A-28	6 12/28	45			2	79	
	B-77	6 33/77		46	A-46	1 44/46		B-79
15		6	47		B-69	1 66/69	80	A-32
16	A-32	5 20/32		A-47	1 43/47	81		B-63
17	A-34	5 10/34	48	A-32	1 28/32		81	B-81
18		5		49	A-49	1 41/49		82
19	A-38	4 28/38	50		A-30	1 24/30	83	
20	A-26	4 13/26		51	A-34	1 26/34		84
	A-28	4 14/28	52		A-26	1 19/26	85	
21	A-28	4 8/28		53	A-53	1 37/53		86
	B-77	4 22/77	54		A-30	1 20/30	87	
22	A-44	4 4/44		55	B-63	1 42/63		88
	B-77	4 7/77	56		A-44	1 28/44	89	
23	A-46	3 42/46		57	B-77	1 49/77		90
	B-69	3 63/69	58		A-28	1 17/28	91	
24	A-28	3 21/28		59	B-38	1 22/38		92
	B-44	3 33/44	60		B-87	1 48/87	93	
25	A-30	3 18/30		61	A-59	1 31/59		94
	A-26	3 12/26	62		A-34	1 17/34	95	
26	B-91	3 42/91		63	A-32	1 16/32		96
	A-30	3 10/30	64		B-61	1 29/61	97	
27	B-63	3 21/63		65	B-93	1 42/93		98
	A-28	3 6/28	66		B-49	1 21/49	99	
28	B-87	3 9/87		67	B-77	1 33/77		100
29		3	68		A-32	1 13/32	100	
30				69	A-26	1 10/26		
31	B-93	2 84/93						

### Description de dans le indice tableau.

Ce tableau est le un être calculé pour le indice plaque avec trou numéros affichés ci-dessous .

### Description \_ de codes utilisé dans le indice tableau

T : Numéro individuel souhaité

N : Nombre de révolutions de le indice plaque

: Option \_

UN : En utilisant UN plaque

B : En utilisant B plaque

### **Nombre de des trous**

#### **DP - 1**

Une 15, 16,17, 18,19,20

assiette

B Plaque 21,23,27,29,31,33

CP en 37,39,41,43,47,49

retard

#### **DP - 2**

Une 26,28,

assiette 30,32,34,37,38,39,41,43,44,46,47,49,51,53,57,59

B Plaque 61,63,67,69,71,73,77,79,81,83,87,89,91,93,97,99

# LISTE DES PIÈCES

Modèle : HV-4-KP

1. Principal corps \* 1
2. Poignée \* 2
3. Mandrin clé \* 1
4. Inverse \_ mâchoires \* 1 ensemble (3 pièces )
5. M10 \_ \* 40 Boulon en T \* 2
6. M10 noix \* 2
7. Instructions \* 1

Modèle : HV-4-4

1. Principal corps \* 1
2. Poignée \* 2
3. M6 \* 55 boulon \* 2
4. M6 noix \_ \* 2
5.  $\varnothing$  6 plat joint \* 2
6. Positionnement \_ bloc \* 2
7. Pressage plaque \_ \* 2
- 8 . Coussin bloc \* 2
9. Instructions \* 1
- dix . UN cloison conseil \* 1
- 11 . B cloison conseil \* 1
- 12 . C cloison conseil \* 1
- 13 . Bascule poignée \* 1
- 14 . M8 \_ \* 70 hexadécimal prise poignée vis \* 1
- 15 . Division plaque positionnement régulateur \* 1
- 16 . Limite bloc \* 1
- 17 . Circlips \* 1
- 18 . M5 \* dix Phillips vis \* 3

**Modèle : HV-4-4R**

- 1. Principal corps \* 1**
- 2. Poignée \* 2**
- 3. M6 \* 55 boulon \* 2**
- 4. M6 noix \_ \* 2**
- 5.  $\varnothing$  6 plat joint \* 2**
- 6. Positionnement \_ bloc \* 2**
- 7. Pressage plaque \_ \* 2**
- 8 . Coussin bloc \* 2**
- 9. Instructions \* 1**

**Modèle : HV-6-4B**

- 1 . UN cloison conseil \* 1**
- 2. B cloison conseil \* 1**
- 3 . C cloison conseil \* 1**
- 4 . Bascule poignée \* 1**
- 5. M8 \_ \* 70 hexadécimal prise poignée vis \* 1**
- 6. Division plaque positionnement régulateur \* 1**
- 7. Limite bloc \* 1**
- 8 . Circlips \* 1**
- 9. M5 \* dix Phillips vis \* 3**
- dix. M5 \_ \* dix hexadécimal prise vis \* 4**
- 11. Positionnement \_ bloc \* 4**
- 12. M12 \_ \* 40 Boulon en T \* 2**
- 13 . Noix \* 2**
- 14. Interne hexagonal clé \* 1**
- 1 5. Instructions \* 1**

**Modèle : HV-6-4**

- 1. Principal corps \* 1**
- 2. Bascule poignée \* 1**
- 3. M8 \_ \* 7 0 hexadécimal prise poignée vis \* 1**
- 4 . M5 \* dix hexadécimal prise vis \* 4**
- 5. Positionnement bloc \* 4**
- 6. M12 \* 40 Boulon en T \* 2,**
- 7. Noix \* 2**
- 8 . Instructions \* 1**

**Modèle : HV-8-4**

- 1. Principal corps \* 1**
- 2 . Poignée \* 2**
- 3. Noix \* 2**
- 4. M10 \_ \* 80 hexagonal poignée boulon \* 1**
- 5. Positionnement bloc \* 4**
- 6. M5 \_ \* 8 hexagonal prise boulon \* 4**
- 7. M14 \_ \* 60 Boulon en T \* 2**
- 8. Interne hexagonal clé \* 1**
- 9. Instructions \* 1**

**Modèle : HV-8-3**

- 1. Principal corps \* 1**
- 2. Poignée \* 2**
- 3. M 1 0 \* 80 hexadécimal prise poignée vis \* 1**
- 4. Positionnement \_ bloc \* 4**
- 5. M5 \* 8 h hexagonal prise boulon \* 4**
- 6. M14 \_ \* 60 Boulon en T \* 2**
- 7. Interne hexagonal clé \* 1**
- 8. Noix \* 2**
- 9. Instructions \* 1**

**Adresse** : Baoshanqu Shuangchenglu 803long 11hao 1602A-1609shi  
Shanghai

**Importé en Australie** : SIHAO PTY LTD . 1 ROKEVA  
STREETASTWOOD NSW 2122 Australie

**Importé aux États-Unis** : Sanven Technology Ltd. Suite 250 . 9166  
Anaheim Place, Rancho Cucamonga, Californie 91730



SHUNSHUN GmbH  
Römeräcker 9 Z2021, 76351 Linkenheim-  
Hochstetten, Germany



Pooledas Group Ltd  
Unit 5 Albert Edward House, The  
Pavilions Preston, United Kingdom

**Fabriqué en Chine**



**VEVOR<sup>®</sup>**

**TOUGH TOOLS, HALF PRICE**

Technique Soutien et E - Garantie Certificat  
[www.vevor.com/assistance](http://www.vevor.com/assistance)

# **VEVOR<sup>®</sup>**

**TOUGH TOOLS, HALF PRICE**

Zertifikat für technischen Support und E-Garantie  
[www.vevor.com/support](http://www.vevor.com/support)

## **R OTARY TISCH**

**MODELL : HV-4-KP, HV-4-4, HV-4-4R,  
HV-6-4, HV-6-4B, HV-8-4 , HV-8-3**

We continue to be committed to provide you tools with competitive price. "Save Half", "Half Price" or any other similar expressions used by us only represents an estimate of savings you might benefit from buying certain tools with us compared to the major top brands and does not necessarily mean to cover all categories of tools offered by us. You are kindly reminded to verify carefully when you are placing an order with us if you are actually saving half in comparison with the top major brands.

MODELL : HV-4-KP, HV-4-4, HV-4-4R, HV-6-4, HV-6-4B, HV-8-4 HV-8-3



### BRAUCHEN HELFEN ? KONTAKT UNS !

Haben Produkt Fragen ? Brauchen technisch Unterstützung ? Bitte fühlen frei in Verbindung zu treten uns :

**Technisch Unterstützung Und E – Garantie**  
**Zertifikat [www . vevor . com](http://www.vevor.com) /**  
**Support**

Das Ist Die Original Bitte lesen Sie alle Bedienungsanleitungen sorgfältig durch, bevor Sie mit der Inbetriebnahme beginnen. VEVOR behält sich eine klare Interpretation unseres Nutzers vor Handbuch . Der Aussehen von Die Das Produkt unterliegt dem Produkt Du erhalten. Bitte entschuldigen Sie, dass wir Sie in diesem Fall nicht noch einmal informieren werden Sind beliebig Technologie oder Software

Aktualisierung An unser Produkt .



Warnung: Um das Verletzungsrisiko zu verringern, muss der Benutzer die Anweisungen lesen Handbuch sorgfältig .

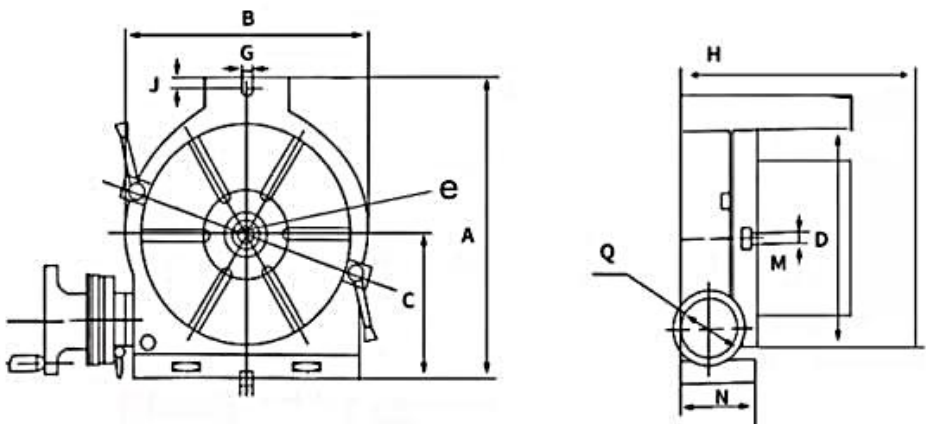


## PRECISION ROTARY TABLES

Es werden zwei Arten von Rundtischen zusammengefasst Hier kollektiv . Die Mechanismen gemeinsam Zu diese Tische werden auf einigen Seiten ihrer Beschreibung angezeigt .


HORIZONTAL , VERTIKAL PRÄZISION ROTIEREND TISCH

Das rotierend Tisch Ist entworfen, um es dauerhaft zu machen Bearbeitung Operationen bei ein höheres Abmessungen als die des horizontalen Drehtisches . Die Basis kann Sei gebraucht In A vertikale Position \_ Zu aktivieren Es Zu tragen aus der Mitte arbeiten .

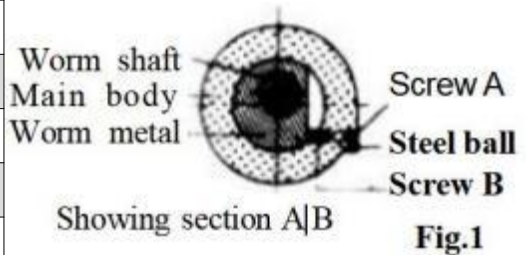


SPEZIFIKATIONEN : \_

Einheit: mm/Zoll  
s

Horizontal/ Vertical Type	Model No.	Duter diameter	Height	Height	Worm Gear ratio	Center sileeve	Width of slots	Bolt slots
		D(inch/mm)	H(inch/mm)	C (inch/mm)	/	/	M(inch/mm)	G (inch/mm)
	HV-4-4R	4" 101.6mm	2.76" 70mm	3.35" 85mm	1:36	/	0.31" 8mm	/
	HV-4-KP	4" 101.6mm	4.72" 120mm	3.35" 85mm	1:36	/	/	/
	HV-4-4	4" 101.6mm	3.35" 85mm	3.35" 85mm	1:72	MT2	0.47" 12mm	0.55" 14mm
	HV-6-4B	6" 152.4mm	3.35" 85mm	3.94" 100mm	1:90	MT2	0.55" 14mm	0.63" 16mm
	HV-6-4	6" 152.4mm	3.35" 85mm	3.94" 100mm	1:90	MT2	0.55" 14mm	0.63" 16mm
	HV-8-4	8" 203.2mm	4.13" 105mm	5.31" 135mm	1:90	MT3	0.55" 14mm	0.63" 16mm
	HV-8-3	8" 203.2mm	4.13" 105mm	5.31" 135mm	1:90	MT3	0.55" 14mm	0.63" 16mm

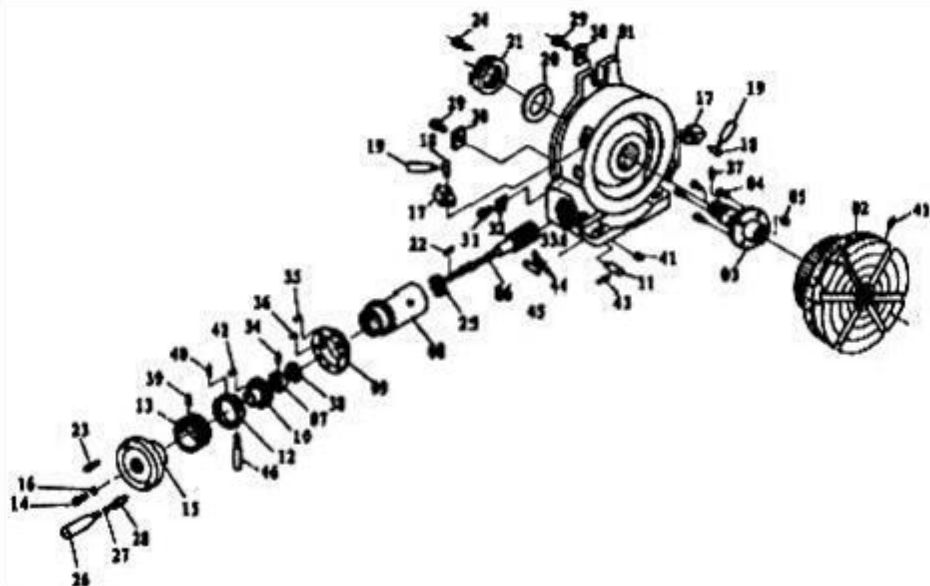
Modell	HV - 3"	HV - 4"	HV - 5"
—			
A	98	145	155
B	78	114	127
C	59	85.5	90
D	F 7 6.2	F110	F 1 27
E	12	12	12
G			
H	83	85	85
J			15_
M	MT 2		MT 2
N	71	68	68



**1.Einstellen Gittergewebe von Wurm Gang :** Lösen Die Metall Klemme handhaben und umdrehen \_ Die schalten Metall im Uhrzeigersinn bis Es Berührungen Die Stopper . Der Wurm Gang hat Jetzt gewesen ausgerückt . Drehen Es gegen den Uhrzeigersinn bis Es Berührungen der Stopfen, der Wurm Und Gang Rad Wille engagieren . Spannen Die Metall Klemmgriff nach Engagement . Ein Eine zusätzliche Anpassung kann durch Entfernen erreicht werden Die Schraube ④ und Stahlkugel entfernen und die innere Schraube ⑥ gegen den Uhrzeigersinn drehen , um die Schnecke enger mit dem Zahnrad in Eingriff zu bringen Rad . Drehen im Uhrzeigersinn bringt Die Wurm vom Rad weg. Nach der Einstellung einfügen Die Stahl Kugel abziehen und Schraube ④ festziehen

**2.Axia I Einstellung von Wurm Welle :** Wann axial locker tritt ein Gangverstellung Ist getragen aus von Straffung die innere Schneckenwellenmutter, nachdem Griff, Noniusring und Schaltermetall entfernt wurden. Nach der Einstellung . Kontern Sie die Mutter auf der Welle von bedeutet von Die Satz schrauben . ( Der ERT -6 hat eine

Anpassung Nuss , die dürfen Sei nach Entfernen des Griffs verwendet werden.)



## PARTS LIST For HV6,HV8,HV10,HV12,HV14,HV16

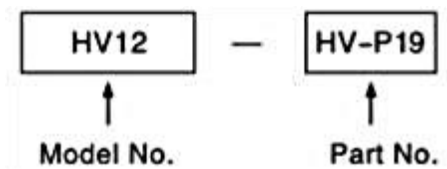
Part No.	Description	Part No.	Description
HV-P01	Main body	HV-P24	Hex.socket cap screw
HV-P02	Table	HV-P25	Bearing thrust collar
HV-P03	Table sleeve	HV-P26	Handle
HV-P04	Hex.socket cap screw	HV-P27	Circlips
HV-P05	Oil cup	HV-P28	Screw rod
HV-P06	Worm rod	HV-P29	Hex.socket cap screw
HV-p07	Lock nuts	HV-P30	Guide key
HV-P08	Worm metal	HV-P31	Hex.socket cap screw
HV-P09	Adjusting dial	HV-P32	Limit Plate
HV-P10	Adjusting dial	HV-P33	Set screw
HV-P11	Metal setting screw	HV-P34	Set screw
HV-P12	Vernier ring	HV-P35	Hex.socket cap screw
HV-P13	Micro-collar	HV-P36	Set screw
HV-P14	Hex.Socket cap screw	HV-P37	Pin
HV-P15	Handle wheel	HV-P38	Bearing thrust collar
HV-P16	Washer	HV-P39	Collar set screw
HV-P17	Clamp piece	HV-P40	Collar set screw
HV-P18	Clamp bolt	HV-P41	Oil cup
HV-P19	Clamp handle	HV-P42	Hex.socket cap screw
HV-P20	Ring	HV-P43	Lock handle
HV-P21	Lock nuts	HV-P44	Rivets
HV-P22	Key	HV-P45	Plate
HV-P23	Handle	HV-P46	Handle

## Betriebs \_ Anweisung Und Funktion von Jede Einheit

1. Die Das Schneckenübersetzungsverhältnis beträgt 1:90.
  - eins tum von Die handhaben bewegt sich Die Tisch um  $4^\circ$
  - Mikrokragen \_ \_ Ist graduiert In Schritte von 1 Minute .
  - Vernier Skala macht Einstellungen runter auf 10 Sekunden möglich . (20 Sekunden ds für ( HV 6)
2. Teilen von 2 bis 100 können durch Anbringen schnell und präzise durchgeführt werden A Teilen Mechanismus .
3. Mitte arbeiten dürfen Auch Sei getragen aus indem Sie die Basis in vertikaler Position verwenden in Verbindung mit einem Reitstock. (Siehe Seite 4.)

### \* Vorschläge für Befehl

Wann Bestellung Teile für Ersatz , angeben Modell NEIN . Und Teil NEIN .

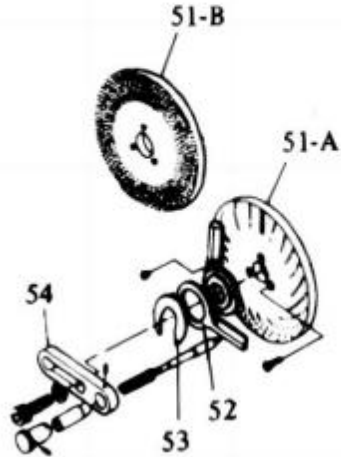


## OPTIONAL ACCESSORIES DIVIDING PLATES

### Dividing Mechanism



Dividing Plate set includes index plate, crank handle, 3 pcs screw, sector, & U-washer



### RT mit Dividieren \_ Platte

### SPEZIFIKATIONEN \_ FÜR TEILEN PLATTEN

Einheit : mm / Zoll \_

MODEL L _ NEIN _	Hauptdimension _ von DM				Gewic ht acht kg / lb	Anwendbar Tisch	
	Trennplatte e Stellschrau be _	Innere Durchmess er von Sektor Bin	Außend urchmesse r der Feder Clip	Hainbreite im Griff Platte _			
DP - 1	PKD.(32/ 1,26) F	21 0,83 _	18 0.71	9 0.03	25 5.51	MINI (HV3H V 4/ HV 5)	S. 7 S. 9 S. 10
DP -2	(3Loch) PCD . 46/1,81	28.7 1.12	44 1,73 _	10 0,39 _	4 8.82	HV8,10, 12, 14,16	S. 7 S. 9 S. 10

## In Fall von Ein Optional DM Gerät \_ Beigefügt

Indizierung von 2 bis 100 Dosen Sei gemacht genau und schnell.

### Gleichung von Indexing \_

Seit Die Wurm Verhältnis beträgt 1:90, wenn der Griff um 360° gedreht wird Tisch daher Wille Drehen Sie eine 1/90-Umdrehung. Die Beziehungen zwischen handhaben Revolution ' N ' und Einzelzahl ' T ' zu Sei gesucht Sind gezeigt in der folgenden Gleichung:

$$N = \frac{90}{T}$$

Bemerkungen : Die Die Indextabelle auf Seite 6 basiert auf dieser Gleichung.

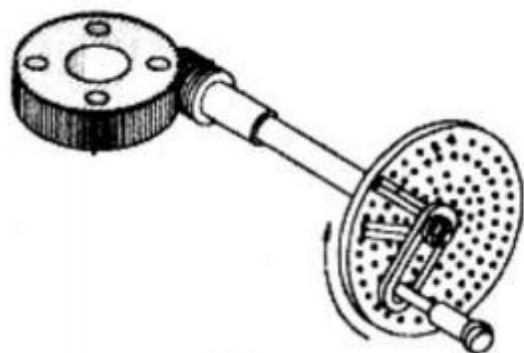
### ( Beispiel )

Für den Fall , dass Die Operator will Zu Index Die Position geteilt in 29 gleich Teile . Hinweise An Betrieb Als für 29 Personen Zahlen , die Nummer

von Kurbel handhaben Umdrehungen ( N ) ist  $3 \frac{9}{87}$  als gezeigt In

Die Tisch An Seite

6, Also Das Die handhaben sollte dreimal und mehr als eine volle 360°-Umdrehung gedreht werden ein Intervall von neun Löcher ( in Das Zeit , es bedeutet Lochintervalle, nicht Lochnummern ). Nach Einstellung Das Punkt als A Start Drehen Sie den Griff um 360 ° drei mal Plus ein Intervall von neun Löcher ( in Das Zeit , das heißt Loch Intervalle nicht Loch Zahlen ). Nachdem Sie diesen Punkt als Startpunkt festgelegt haben , drehen Sie ihn Führen Sie den Griff dreimal um eine volle 360°-Umdrehung plus neun Mal durch Löcher . Wann Die Verfahren Ist Die Indizierung wird der Reihe nach bis zu 29 Mal wiederholt von teilen Auf diese Weise wird eine Aufteilung in 29 gleiche Teile erreicht.



Operationen \_ von Kurbel Handhaben Und Sektor

Falls \_ von Die Beispiel ' Division in 29 Gleich Teile ' vorgenannten , es Ist Es ist natürlich , dass der Indexierungsvorgang fortgesetzt wird mit Die Intervalle von neun Löcher nach dem Einstellen Die Index Platte ( B Platte ) auf welche A Reihe von 87 Löchern werden zur Verfügung gestellt . Aber Bei dieser Methode muss der Bediener die Intervalle von neun Löchern eins zählen von eins . Er muss sich ineffizient anfühlen. Aus dieser Sicht ist es notwendig, ein Gerät namens „Sektor“ zu verwenden, um ID zu vermeiden solch lästig Verfahren . Der folgenden Willen beschreiben manche notwendige Verfahren für den Betrieb des Sektors.

A . Lösen Die Kurbel handhaben sperren Mutter , stellen Sie sie ein Länge Also als Zu Ursache Die Index Stift Zu reinfallen Die Zug von 87 Löchern und \_ spannen Es .

B . Lösen Die Set - Schrauben von Die Sektor . öffne zwei Waffen In Übereinstimmung mit Die Intervall von neun Löcher ( insgesamt Zahlen von Löcher Ist zehn ) und \_ spannen mit Stellschrauben .

C . Zuerst mitbringen \_ Die links Arm von Die Sektor in der Nähe von Die Index Stift \_ links Seite .

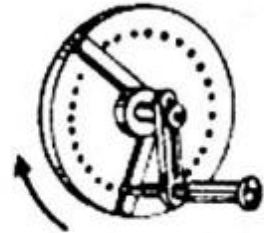
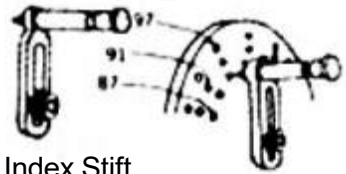
D . Als nächstes drehen Die Kurbel handhaben im Uhrzeigersinn bewerben Es Zu Die Rechts Arm von Die Sektor Also dass die Index Stift Wille fallen In Die Loch gelegen bei diesem Rechts Waffen \_ links Seite Oberfläche .

e . Drehen Die Sektor im Uhrzeigersinn Das Zeit , und setzen Die Rechts Seite Oberfläche von Die links Arm zum links Seite von Die Index Stift . In Das Zeit , die Beziehungen zwischen Die Index Stift Und der Branche \_ links Arm In ihre Positionen Sind das gleiche als In Par . C ) .

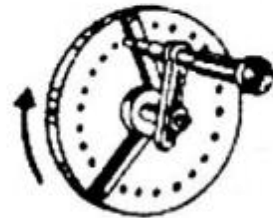
Der Index Platte Loch Das passt eigentlich Die Index Stift Ist gelegen Bei der Punkt Wo Es geht über zehn Löcher zum Rechts weg aus Die Loch als In par . c ) c . F .

Wiederholen Die Dasselbe Verfahren wie nötig .

Handkurbel \_



Feige 5



Feige 6

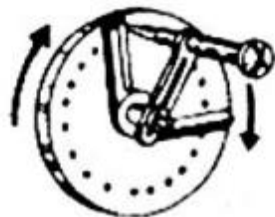


Abb . 7

Feige 8

**Index Tisch für \_ Wurm Verhältnis 1:90 ) DP-1 Für HV6/MINI  
(HV3/HV4/HV5)**

T	H	N	T	H	N	T	H	N
1			43		2 4/43	82	C-41	1 4/11
2		45	44	C-43		83		
3		30	45		2	84		
4	A-20	22 10/20	46	B-23	1 22/23	85		
5		18	47	C-47	1 43/47	86	C-43	1 2/43
6		15	48	A-16	1 14/16	87	B-29	1 1/29
7	B-21	12 8/21	49	C-49	1 41/49	88		
8	A-20	11 5/20	50	A-20	1 16/20	89		
9		10	51			90		
10		9	52			91		
11	B-33	8 6/33	53			92		
12	A-20	7 10/20	54	A-18	1 12/18	93	B-31	30/31
13	C-39	6 30/39	55	B-33	1 21/33	94	C-47	45/47
14	B-21	6 9/21	56			95	A-19	18/19
15		6	57	A-19	1 11/19	96	A-16	15/16
16	A-16	5 10/16	58	B-29	1 16/29	97		
17	A-17	5 5/17	59			98	C-49	45/49
18		5	60	A-20	1 1/20	99	B-33	30/33
19	A-19	4 14/19	61			100	A-20	18/20
20	A-20	4 10/20	62	B-31	1 14/31			
21	B-21	4 6/21	63	B-21	1 9/21			
22	B-33	4 3/33	64					
23	B-23	3 21/23	65	C-39	1 15/39			
24	A-20	3 15/20	66	B-33	1 12/33			
25	A-20	3 12/20	67					
26	C-39	3 18/39	68					
27	A-18	3 6/18	69	B-23	1 7/23			
28			70	B-21	1 6/21			
29	B-29	3 3/29	71					
30		3	72	A-20	1 5/20			
31	B-31	2 28/31	73					
32	A-16	2 13/16	74	C-37	1 8/37			
33	B-33	2 24/33	75	A-20	1 4/20			
34	A-17	2 11/17	76					
35	B-21	2 12/21	77					
36	A-20	2 10/20	78	C-39	1 6/39			
37	C-37	2 16/37	79					
38	A-19	2 7/19	80	A-16	1 2/16			
39	C-39	2 12/39	81	A-18	1 2/18			
40	A-20	2 15/20						
41	C-41	2 8/41						
42	B-21	2 3/21						

## DP -2 Für HV 8, HV 10, HV 12, HV 14, HV 1 6

T	H	N	T	H	N	T	H	N
2		45	32	A-32	2 26/32	65	B-91	1 35/91
3		30	33	B-99	2 72/99	66	A-44	1 16/44
4	A-26	22 13/26	34	A-34	2 22/34	67	B-99	1 36/99
	A-28	22 14/28		A-28	2 16/28		B-67	1 23/67
5		18	35	B-63	2 36/63	68	A-34	1 11/34
6		15		A-26	2 13/26	69	A-46	1 14/46
7	A-28	12 24/28	36	A-28	2 14/28		70	B-69
	A-77	12 66/77		37	A-37	2 16/37		A-28
8	A-28	11 7/28	38	A-38	2 14/38	71	B-63	1 18/63
	A-44	11 11/44		39	A-26		2 8/26	B-71
9		10	40		B-91	2 28/91	72	A-32
10		9		A-28	2 7/28	A-44		1 11/44
11	A-44	8 8/44	41	A-44	2 11/44	73	B-73	1 17/73
	B-77	8 14/77		A-41	2 8/41		74	A-37
12	A-26	7 13/26	42	A-28	2 4/28	75	A-30	1 6/30
	A-28	7 14/28		B-63	2 9/63		76	A-38
13	A-29	6 24/26	43	A-43	2 4/43	77	B-77	1 13/77
	B-91	6 84/91		44	A-44		2 2/44	78
14	A-28	6 12/28	45			2	79	
	B-77	6 33/77		46	A-46	1 44/46		B-79
15		6	47		B-69	1 66/69	80	A-32
16	A-32	5 20/32		A-47	1 43/47	81		B-63
17	A-34	5 10/34	48	A-32	1 28/32		81	B-81
18		5		49	A-49	1 41/49		82
19	A-38	4 28/38	50		A-30	1 24/30	83	
20	A-26	4 13/26		51	A-34	1 26/34		84
	A-28	4 14/28	52		A-26	1 19/26	85	
21	A-28	4 8/28		53	A-53	1 37/53		86
	B-77	4 22/77	54		A-30	1 20/30	87	
22	A-44	4 4/44		55	B-63	1 42/63		88
	B-77	4 7/77	56		A-44	1 28/44	89	
23	A-46	3 42/46		57	B-77	1 49/77		90
	B-69	3 63/69	58		A-28	1 17/28	91	
24	A-28	3 21/28		59	B-38	1 22/38		92
	B-44	3 33/44	60		B-87	1 48/87	93	
25	A-30	3 18/30		61	A-59	1 31/59		94
	A-26	3 12/26	62		A-34	1 17/34	95	
26	B-91	3 42/91		63	A-32	1 16/32		96
	A-30	3 10/30	64		B-61	1 29/61	97	
27	B-63	3 21/63		65	B-93	1 42/93		98
	A-28	3 6/28	66		B-49	1 21/49	99	
28	B-87	3 9/87		67	B-77	1 33/77		100
29		3	68		A-32	1 13/32	100	
30				69	A-26	1 10/26		
31	B-93	2 84/93						

### Beschreibung von In Die Index Tisch.

Dieser Tisch ist der Richtige eins Sein berechnet für Die Index Platte mit Loch Zahlen angezeigt unten .

### Beschreibung \_ von Codes gebraucht In Die Index Tisch

T: Gewünschte Einzelnummer

N: Anzahl der Revolutionen von Die Index Platte

: Möglichkeit \_

A : Benutzen A Platte

B : Benutzen B Platte

### **Nummer von Löcher**

#### **DP - 1**

Ein Teller 15, 16,17, 18,19,20

B Platte 21,23,27,29,31,33

CP zu 37,39,41,43,47,49

spät

#### **DP - 2**

Ein Teller 26,28,  
30,32,34,37,38,39,41,43,44,46,47,49,51,53,57,59

B Platte 61,63,67,69,71,73,77,79,81,83,87,89,91,93,97,99

# **LISTE DER EINZELTEILE**

**Modell : HV-4-KP**

- 1. Hauptsächlich Körper \* 1**
- 2. Handhaben \* 2**
- 3. Futter Schlüssel \* 1**
- 4. Umkehren \_ Kiefer \* 1 Satz (3 Stück )**
- 5. M 10 \* 40 T - Bolzen \* 2**
- 6. M10 Nuss \* 2**
- 7. Anweisungen \* 1**

**Modell : HV-4-4**

- 1. Hauptsächlich Körper \* 1**
- 2. Handhaben \* 2**
- 3. M6 \* 55 Bolzen \* 2**
- 4. M6 Nuss \_ \* 2**
- 5.  $\varnothing$  6 Wohnung Dichtung \* 2**
- 6. Positionierung \_ Block \* 2**
- 7. Drücken Platte \_ \* 2**
- 8 . Kissen Block \* 2**
- 9. Anweisungen \* 1**
- 10 . A Partition Planke \* 1**
- 11 . B Partition Planke \* 1**
- 12 . C Partition Planke \* 1**
- 13 . Rocker handhaben \* 1**
- 14 . M 8 \* 70 verhexten Steckdose handhaben schrauben \* 1**
- 15 . Aufteilung Platte Positionierung Regler \* 1**
- 16 . Grenze Block \* 1**
- 17 . Sicherungsring \* 1**
- 18 . M5 \* 10 Phillips schrauben \* 3**

**Modell : HV-4-4R**

- 1. Hauptsächlich Körper \* 1**
- 2. Handhaben \* 2**
- 3. M6 \* 55 Bolzen \* 2**
- 4. M6 Nuss \_ \* 2**
- 5.  $\varnothing$  6 Wohnung Dichtung \* 2**
- 6. Positionierung \_ Block \* 2**
- 7. Drücken Platte \_ \* 2**
- 8 . Kissen Block \* 2**
- 9. Anweisungen \* 1**

**Modell : HV-6-4B**

- 1 . A Partition Planke \* 1**
- 2. B Partition Planke \* 1**
- 3 . C Partition Planke \* 1**
- 4 . Rocker handhaben \* 1**
- 5. M 8 \* 70 verhexten Steckdose handhaben schrauben \* 1**
- 6. Aufteilung Platte Positionierung Regler \* 1**
- 7. Grenze Block \* 1**
- 8 . Sicherungsring \* 1**
- 9. M5 \* 10 Phillips schrauben \* 3**
- 10. M 5 \* 10 verhexten Steckdose schrauben \* 4**
- 11. Positionierung \_ Block \* 4**
- 12. M 12 \* 40 T - Bolzen \* 2**
- 13 . Nuss \* 2**
- 14. Intern sechseckig Schlüssel \* 1**
- 15 . Anweisungen \* 1**

**Modell : HV-6-4**

- 1. Hauptsächlich Körper \* 1**
- 2. Rocker handhaben \* 1**
- 3. M 8 \* 7 0 verhexen Steckdose handhaben schrauben \* 1**
- 4 . M5 \* 10 verhexen Steckdose schrauben \* 4**
- 5. Positionierung Block \* 4**
- 6. M12 \* 40 T-Bolzen \* 2,**
- 7. Nuss \* 2**
- 8 . Anweisungen \* 1**

**Modell : HV-8-4**

- 1. Hauptsächlich Körper \* 1**
- 2 . Handhaben \* 2**
- 3. Nuss \* 2**
- 4. M 10 \* 80 sechseckig handhaben Bolzen \* 1**
- 5. Positionierung Block \* 4**
- 6. M 5 \* 8 sechseckig Steckdose Bolzen \* 4**
- 7. M 14 \* 60 T-Bolzen \* 2**
- 8. Intern sechseckig Schlüssel \* 1**
- 9. Anweisungen \* 1**

**Modell : HV-8-3**

- 1. Hauptsächlich Körper \* 1**
- 2. Handhaben \* 2**
- 3. M 1 0 \* 80 verhexen Steckdose handhaben schrauben \* 1**
- 4. Positionierung \_ Block \* 4**
- 5. M5 \* 8 h sechseckig Steckdose Bolzen \* 4**
- 6. M 14 \* 60 T - Bolzen \* 2**
- 7. Intern sechseckig Schlüssel \* 1**
- 8. Nuss \* 2**
- 9. Anweisungen \* 1**

**Adresse:** Baoshanqu Shuangchenglu 803long 11hao 1602A-1609shi  
Shanghai

**Importiert nach AUS:** SIHAO PTY LTD . 1 ROKEVA  
STREETEASTWOOD NSW 2122 Australien

**Importiert in die USA:** Sanven Technology Ltd. Suite 250 . 9166  
Anaheim Place, Rancho Cucamonga, CA 91730

<b>EC</b>	<b>REP</b>
-----------	------------

SHUNSHUN GmbH  
Römeräcker 9 Z2021, 76351 Linkenheim-  
Hochstetten, Germany

<b>UK</b>	<b>REP</b>
-----------	------------

Pooledas Group Ltd  
Unit 5 Albert Edward House, The  
Pavilions Preston, United Kingdom

**In China hergestellt**



**VEVOR<sup>®</sup>**

**TOUGH TOOLS, HALF PRICE**

Technisch Unterstützung Und E – Garantie Zertifikat  
[www.vevor.com/Support](http://www.vevor.com/Support)

# **VEVOR**<sup>®</sup>

**TOUGH TOOLS, HALF PRICE**

Supporto tecnico e certificato di garanzia elettronica  
[www.vevor.com/support](http://www.vevor.com/support)

## **ROTANTE \_ TAVOLO**

**MODELLO : HV-4-KP, HV-4-4, HV-4-4R,  
HV-6-4, HV-6-4B, HV-8-4 , HV-8-3**

We continue to be committed to provide you tools with competitive price. "Save Half", "Half Price" or any other similar expressions used by us only represents an estimate of savings you might benefit from buying certain tools with us compared to the major top brands and does not necessarily mean to cover all categories of tools offered by us. You are kindly reminded to verify carefully when you are placing an order with us if you are actually saving half in comparison with the top major brands.

MODELLO : HV-4-KP, HV-4-4, HV-4-4R, HV-6-4, HV-6-4B, HV-8-4 HV-8-3



### BISOGNO AIUTO ? CONTATTO NOI !

Avere Prodotto domande ? Bisogno tecnico supporto ? Per favore Tatto gratuito contattare noi :

**Tecnico Supporto E E - Garanzia Certificato**  
**[www.vevor.com/supporto](http://www.vevor.com/supporto)**

Questo È IL originale istruzioni, leggere attentamente tutte le istruzioni del manuale prima dell'uso. VEVOR si riserva una chiara interpretazione del nostro utente Manuale . IL aspetto Di IL il prodotto sarà soggetto al prodotto Voi ricevuto. Per favore perdonaci se non ti informeremo più se li Sono Qualunque tecnologia O Software aggiornamenti SU Nostro Prodotto .



Avvertenza: per ridurre il rischio di lesioni, l'utente deve leggere le istruzioni Manuale accuratamente .

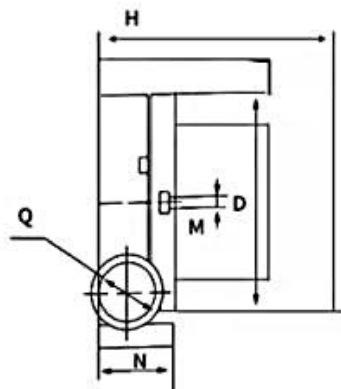
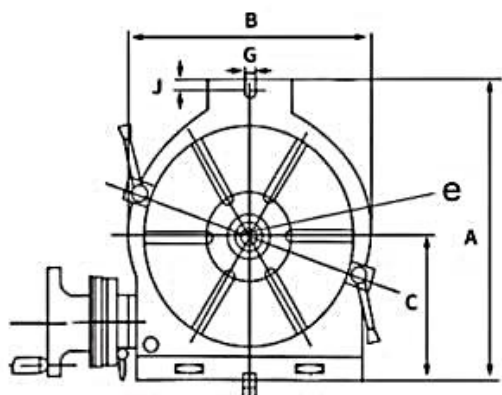


## PRECISION ROTARY TABLES

riepilogati due tipi di tavole rotanti Qui collettivamente . I meccanismi comune A questi tavoli sono riportati in alcune pagine della loro descrizione .


ORIZZONTALE VERTICALE \_ PRECISIONE ROTANTE  
TAVOLO

Questo rotante tavolo È progettato per consentirlo lavorazione operazioni A un più alto dimensione superiore a quella della tavola rotante di tipo orizzontale s . La base può Essere usato In UN posizione verticale \_ A abilitare Esso A trasportare fuori centro lavoro .

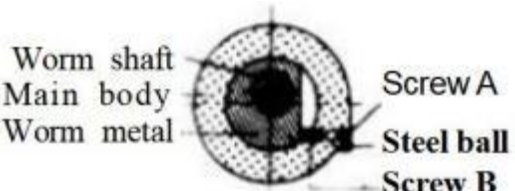


CIFICHE SPECIFICHE :

Unità: mm/pollici  
s

Horizontal/ Vertical Type	Model No.	Duter diameter	Height	Height	Worm Gear ratio	Center sleeve	Width of slots	Bolt slots
		D(inch/mm)	H(inch/mm)	C (inch/mm)	/	/	M(inch/mm)	G (inch/mm)
	HV-4-4R	4" 101.6mm	2.76" 70mm	3.35" 85mm	1:36	/	0.31" 8mm	/
	HV-4-KP	4" 101.6mm	4.72" 120mm	3.35" 85mm	1:36	/	/	/
	HV-4-4	4" 101.6mm	3.35" 85mm	3.35" 85mm	1:72	MT2	0.47" 12mm	0.55" 14mm
	HV-6-4B	6" 152.4mm	3.35" 85mm	3.94" 100mm	1:90	MT2	0.55" 14mm	0.63" 16mm
	HV-6-4	6" 152.4mm	3.35" 85mm	3.94" 100mm	1:90	MT2	0.55" 14mm	0.63" 16mm
	HV-8-4	8" 203.2mm	4.13" 105mm	5.31" 135mm	1:90	MT3	0.55" 14mm	0.63" 16mm
	HV-8-3	8" 203.2mm	4.13" 105mm	5.31" 135mm	1:90	MT3	0.55" 14mm	0.63" 16mm

Modell o _	Alta tensio ne - 3"	Alta tensio ne - 4"	Alta tensio ne - 5"
UN	98 _	145	155
B	78	114	127
C	59	85.5	90 _
D	F76.2	F110	F127
E	12	12	12
G			
H	83 _	85 _	85 _
J			15
M	MT2 _		MT2 _
N	71	68	68

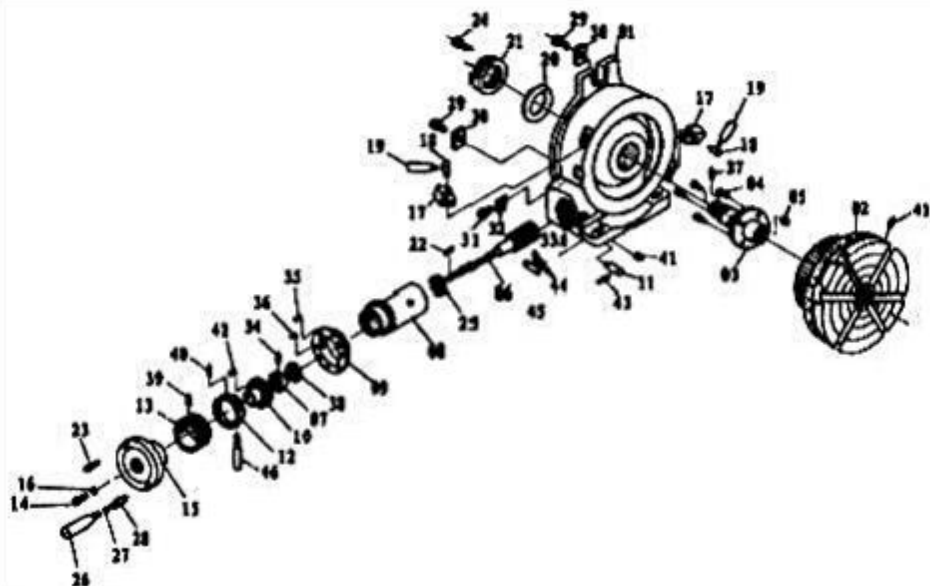


Showing section A|B

**Fig.1**

**1.Regolazione Maglia Di Verme Ingranaggio :** Allentare IL metallo MORSETTO maniglia e girarsi \_ IL interruttore metallo senso orario Fino a Esso tocca IL tappo . IL verme l'ingranaggio ha Ora stato disimpegnato . Giro Esso Antiorario Fino a Esso tocca il tappo, il verme E ingranaggio ruota Volere ingaggiare . Stringere IL metallo maniglia del morsetto Dopo fidanzamento . UN è possibile ottenere una regolazione aggiuntiva rimuovendo IL vite ④ e sfera d'acciaio e ruotando la vite interna ⑥ in senso antiorario , avvicinando così la vite senza fine all'ingranaggio ruota . Girando senso orario porta IL verme lontano dalla ruota. Dopo la regolazione inserire IL acciaio sfera e serrare la vite ④

**2.Axia I Regolazione Di Verme Albero :** Quando assiale allentamento si verifica regolazione della marcia È portato fuori di serraggio il dado interno dell'albero a vite senza fine dopo che la maniglia, l'anello del nonio e il metallo dell'interruttore sono stati rimossi. Dopo la regolazione . bloccare il dado sull'albero di significa Di IL impostato vite . ( IL ERT -6 ha un aggiustamento noce , che Potere Essere utilizzato dopo la rimozione della maniglia.)



## PARTS LIST For HV6,HV8,HV10,HV12,HV14,HV16

Part No.	Description	Part No.	Description
HV-P01	Main body	HV-P24	Hex.socket cap screw
HV-P02	Table	HV-P25	Bearing thrust collar
HV-P03	Table sleeve	HV-P26	Handle
HV-P04	Hex.socket cap screw	HV-P27	Circlips
HV-P05	Oil cup	HV-P28	Screw rod
HV-P06	Worm rod	HV-P29	Hex.socket cap screw
HV-p07	Lock nuts	HV-P30	Guide key
HV-P08	Worm metal	HV-P31	Hex.socket cap screw
HV-P09	Adjusting dial	HV-P32	Limit Plate
HV-P10	Adjusting dial	HV-P33	Set screw
HV-P11	Metal setting screw	HV-P34	Set screw
HV-P12	Vernier ring	HV-P35	Hex.socket cap screw
HV-P13	Micro-collar	HV-P36	Set screw
HV-P14	Hex.Socket cap screw	HV-P37	Pin
HV-P15	Handle wheel	HV-P38	Bearing thrust collar
HV-P16	Washer	HV-P39	Collar set screw
HV-P17	Clamp piece	HV-P40	Collar set screw
HV-P18	Clamp bolt	HV-P41	Oil cup
HV-P19	Clamp handle	HV-P42	Hex.socket cap screw
HV-P20	Ring	HV-P43	Lock handle
HV-P21	Lock nuts	HV-P44	Rivets
HV-P22	Key	HV-P45	Plate
HV-P23	Handle	HV-P46	Handle

## Operativo \_ Istruzioni E Funzione Di Ogni Unità

1. Il rapporto di trasmissione a vite senza fine è 1:90.

- uno tum Di IL maniglia si muove IL tavolo di 4 °
- Micro - collare È laureato In passi di 1 minuto .
- Nonio scala fa impostazioni giù a 10 secondi possibile .

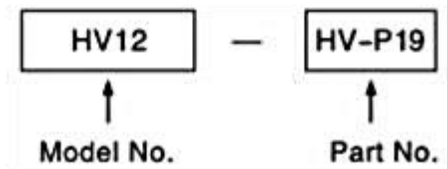
(20 secondi d per ( HV6 )

2. Divisione da 2 a 100 possono essere eseguiti in modo rapido e preciso allegando UN Divisione Meccanismo .

3. Centro lavoro Potere Anche Essere portato fuori utilizzando la base in posizione verticale in combinazione con una contropunta.(Vedi pagina 4.)

### \* Suggestimenti per Ordine

Quando ordinare parti per sostituzione , indicare Modello NO . E Parte NO

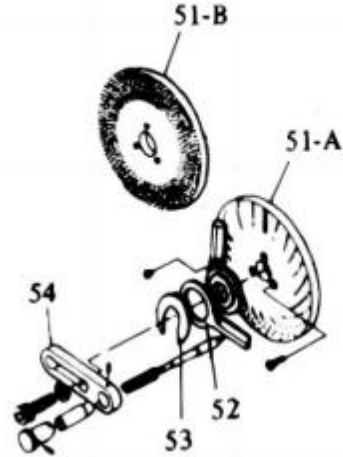


## OPTIONAL ACCESSORIES DIVIDING PLATES

### Dividing Mechanism



Dividing Plate set includes index plate, crank handle, 3 pcs screw, sector, & U-washer



### RT con Divisione \_ Piatto

#### ECIFICAZIONI SP PER DIVISIONE PIATTI

Unità : mm / pollici \_

MODEL LO_ NO_	Dimensioni maggiori Di DM				Peso otto kg / lb	Applicabile tavolo	
	Piastra divisoria e vite di fissaggio	Interno diametro di setto Sono	esterno della molla clip	Boschetto con d nel manico piatto _			
DP - 1	PCD.(32/ 1.26) F	21 _ 0,83 _	18 _ 0,71 _	9 0,03 _	2 5 5.51 _	MINI (HV3H V4 / HV5 )	P7 P9 P10 _ _ _
DP -2	( 3 fori) PCD . 46/1.81	28.7 _ 1.12	44 1,73 _	10_ 0,39 _	4 8.82 _	HV6 HV8,10, 12, 14,16	P7 P9 P10 _ _ _

## In caso Di UN Opzionale DM Dispositivo \_ Allegato

Indicizzazione da 2 a 100 lattine Essere fatto con precisione e rapidamente.

### Equazione Di Indicizzazione \_

Da IL verme rapporto è 1:90, quando si fa ruotare la maniglia di un giro di  $360^\circ$ , il tavolo Perciò Volere ruotare una rivoluzione di  $1/90$ . Le relazioni fra maniglia rivoluzione ' N ' e numero individuale ' T ' a Essere cercato Sono mostrato nella seguente equazione:

$$N = \frac{90}{T}$$

Osservazioni : Il la tabella dell'indice a pagina 6 è realizzata sulla base di questa equazione.

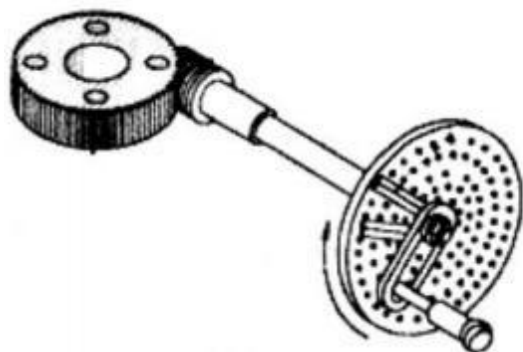
### ( Esempio )

Nel caso in cui IL operatore vuole A indice IL posizione diviso in 29 pari parti . Suggestivi SU operazione COME per 29 persone numeri , il numero

Di manovella maniglia rivoluzioni ( N ) è  $3 \frac{9}{87}$  COME mostrato In IL

tavolo SU Pagina

6, quindi Quello IL maniglia deve essere ruotato di un giro completo di  $360^\circ$  più di tre volte UN intervallo Di nove buchi ( in Questo tempo , significa intervalli di buche e non numeri di buche ). Dopo collocamento Questo punto COME UN inizio punto , ruotare la maniglia di un giro completo di  $360^\circ$  tre volte più UN intervallo Di nove buchi ( in Questo tempo , significa buco intervalli non buco numeri ). Dopo aver impostato questo punto come punto iniziale , ruotare la maniglia effettua un giro completo di  $360^\circ$  tre volte più un intervallo di nove buchi . Quando IL procedura È ripetuto a turno ben 29 volte, l' indicizzazione Di dividendo in 29 parti uguali si ottiene così.



## Operazioni \_ Di Manovella Maniglia E Settore

Nel caso Di IL Esempio ' Divisione in 29 Uguali Parti ' suddette , it È naturale che l'operazione di indicizzazione proceda con IL intervalli Di nove buchi dopo l'impostazione IL indice piatto ( B piastra ) accesa Quale UN riga di 87 buche sono forniti . Ma in questo metodo l'operatore deve contare uno tra gli intervalli di nove buche di uno . Lui deve sentirsi inefficiente. Da questo punto di vista è necessario utilizzare un dispositivo chiamato "settore" per evitare id come fastidioso procedure . IL seguente testamento descrivere Alcuni procedure necessarie per il funzionamento del settore.

UN . Allentare IL manovella maniglia serratura dado , regolalo lunghezza COSÌ COME A causa IL indice spillo A cadere dentro IL treno di 87 buche , e stringere Esso .

B . Allentare IL set - viti Di IL settore . aprine due braccia In accordo con IL intervallo di nove buchi ( totale numeri Di buchi È dieci ) e \_ stringere con viti di fissaggio .

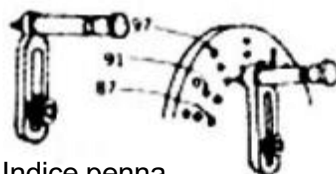
C . Per prima cosa , porta IL Sinistra braccio Di IL settore vicino a IL indice pin 's \_ Sinistra lato .

D . Successivamente , ruota IL manovella maniglia senso orario applicare Esso A IL Giusto braccio Di IL settore COSÌ che il indice spillo Volere autunno In IL buco situato a questo Giusto braccia \_ \_ Sinistra lato superficie .

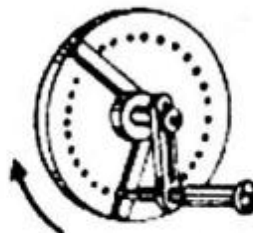
e . Ruotare IL settore senso orario Questo tempo e metti IL Giusto lato superficie Di IL Sinistra braccio al Sinistra lato Di IL indice spillo . In Questo il tempo , le relazioni fra IL indice spillo E del settore \_ Sinistra braccio In loro posizioni Sono lo stesso COME In Par . C ) .

IL indice piatto buco Quello effettivamente ospita IL indice spillo È situato al punto Dove Esso va attraverso dieci buchi al Giusto lontano da IL buco COME In par . c ) c . F . Ripetere IL Stesso procedure come necessario .

Manovella e



Indice penna



Fico 5



Fico 6



Figura  
7 \_

Fico 8

**Indice Tabella ( per verme rapporto 1:90 ) DP-1 Per  
HV6/MINI(HV3/HV4/HV5)**

T	H	N	T	H	N	T	H	N
1			43		2 4/43	82	C-41	1 4/11
2		45	44	C-43		83		
3		30	45		2	84		
4	A-20	22 10/20	46	B-23	1 22/23	85		
5		18	47	C-47	1 43/47	86	C-43	1 2/43
6		15	48	A-16	1 14/16	87	B-29	1 1/29
7	B-21	12 8/21	49	C-49	1 41/49	88		
8	A-20	11 5/20	50	A-20	1 16/20	89		
9		10	51			90		
10		9	52			91		
11	B-33	8 6/33	53			92		
12	A-20	7 10/20	54	A-18	1 12/18	93	B-31	30/31
13	C-39	6 30/39	55	B-33	1 21/33	94	C-47	45/47
14	B-21	6 9/21	56			95	A-19	18/19
15		6	57	A-19	1 11/19	96	A-16	15/16
16	A-16	5 10/16	58	B-29	1 16/29	97		
17	A-17	5 5/17	59			98	C-49	45/49
18		5	60	A-20	1 1/20	99	B-33	30/33
19	A-19	4 14/19	61			100	A-20	18/20
20	A-20	4 10/20	62	B-31	1 14/31			
21	B-21	4 6/21	63	B-21	1 9/21			
22	B-33	4 3/33	64					
23	B-23	3 21/23	65	C-39	1 15/39			
24	A-20	3 15/20	66	B-33	1 12/33			
25	A-20	3 12/20	67					
26	C-39	3 18/39	68					
27	A-18	3 6/18	69	B-23	1 7/23			
28			70	B-21	1 6/21			
29	B-29	3 3/29	71					
30		3	72	A-20	1 5/20			
31	B-31	2 28/31	73					
32	A-16	2 13/16	74	C-37	1 8/37			
33	B-33	2 24/33	75	A-20	1 4/20			
34	A-17	2 11/17	76					
35	B-21	2 12/21	77					
36	A-20	2 10/20	78	C-39	1 6/39			
37	C-37	2 16/37	79					
38	A-19	2 7/19	80	A-16	1 2/16			
39	C-39	2 12/39	81	A-18	1 2/18			
40	A-20	2 15/20						
41	C-41	2 8/41						
42	B-21	2 3/21						

## DP -2 Per Alta 8, Alta 10, Alta 12, Alta 14, Alta 1 6

T	H	N	T	H	N	T	H	N
2		45	32	A-32	2 26/32	65	B-91	1 35/91
3		30	33	B-99	2 72/99	66	A-44	1 16/44
4	A-26	22 13/26	34	A-34	2 22/34	67	B-99	1 36/99
	A-28	22 14/28		A-28	2 16/28		B-67	1 23/67
5		18	35	B-63	2 36/63	68	A-34	1 11/34
6		15		A-26	2 13/26	69	A-46	1 14/46
7	A-28	12 24/28	36	A-28	2 14/28		70	B-69
	A-77	12 66/77		A-37	2 16/37	A-28		1 8/28
8	A-28	11 7/28	37	A-38	2 14/38	71	B-63	1 18/63
	A-44	11 11/44		A-26	2 8/26		B-71	1 19/71
9		10	38	B-91	2 28/91	72	A-32	1 8/32
10		9		A-28	2 7/28		A-44	1 11/44
11	A-44	8 8/44	39	A-44	2 11/44	73	B-73	1 17/73
	B-77	8 14/77		A-41	2 8/41		A-37	1 8/37
12	A-26	7 13/26	40	A-28	2 4/28	74	A-30	1 6/30
	A-28	7 14/28		B-63	2 9/63		75	A-38
13	A-29	6 24/26	41	A-43	2 4/43	76	B-77	1 13/77
	B-91	6 84/91		A-44	2 2/44		77	A-39
14	A-28	6 12/28	42		2	78		B-91
	B-77	6 33/77		A-46	1 44/46		79	B-79
15		6	43	B-69	1 66/69	80	A-32	1 4/32
16	A-32	5 20/32		A-47	1 43/47		81	B-63
17	A-34	5 10/34	44	A-32	1 28/32	81	B-81	1 9/81
18		5		A-49	1 41/49		82	A-41
19	A-38	4 28/38	45	A-30	1 24/30	83	B-83	1 7/83
20	A-26	4 13/26		46	A-34		1 26/34	84
	A-28	4 14/28	A-26		1 19/26	85	A-34	
21	A-28	4 8/28	47	A-53	1 37/53	86	A-43	1 2/43
	B-77	4 22/77		48	A-30		1 20/30	87
22	A-44	4 4/44	49		B-63	1 42/63	88	A-44
	B-77	4 7/77		50	A-44	1 28/44		89
23	A-46	3 42/46	51		B-77	1 49/77	90	
	B-69	3 63/69		A-28	1 17/28	91		B-91
24	A-28	3 21/28	52	B-38	1 22/38	92	A-46	45/46
	B-44	3 33/44		B-87	1 48/87		93	B-93
25	A-30	3 18/30	53	A-59	1 31/59	94	A-47	45/47
26	A-26	3 12/26		54	A-34		1 17/34	95
	B-91	3 42/91	A-32		1 16/32	96	A-32	
27	A-30	3 10/30	55	B-61	1 29/61	97	B-97	90/97
	B-63	3 21/63		B-93	1 42/93		98	A-49
28	A-28	3 6/28	56	B-49	1 21/49	99	A-44	40/44
29	B-87	3 9/87		57	B-77		1 33/77	B-99
30		3	58		A-32	1 13/32	100	A-30
31	B-93	2 84/93		59	A-26	1 10/26		

### Descrizione Di In IL indice tavolo.

Questo tavolo è lui uno essendo calcolato per IL indice piatto con buco numeri mostrati sotto .

### Descrizione \_ Di codici usato In IL indice tavolo

T: numero individuale desiderato

N: Numero di f rivoluzioni Di IL indice piatto

: Opzione \_

UN : Utilizzando UN piatto

B : Utilizzando B piatto

### **Numero Di buchi**

#### **DP - 1**

Un piatto 15, 16,17, 18,19,20

B Piatto 21,23,27,29,31,33

CP in 37,39,41,43,47,49

ritardo

#### **DP - 2**

Un piatto 26,28,  
30,32,34,37,38,39,41,43,44,46,47,49,51,53,57,59

B Piatto 61,63,67,69,71,73,77,79,81,83,87,89,91,93,97,99

# ELENCO DELLE PARTI

Modello : HV-4-KP

1. Principale corpo \* 1
2. Maniglia \* 2
3. Mandrino chiave inglese \* 1
4. Inversione \_ mascelle \* 1 impostato (3 pezzi )
5. M10 \_ \* 40 T - bullone \* 2
6. M10 noce \* 2
7. Istruzioni \* 1

Modello : HV-4-4

1. Principale corpo \* 1
2. Maniglia \* 2
3. M6 \* 55 bullone \* 2
4. M6 noce \_ \* 2
5.  $\varnothing$  6 Piatto guarnizione \* 2
6. Posizionamento \_ bloccare \* 2
7. Premendo piatto \_ \* 2
- 8 . Cuscino bloccare \* 2
9. Istruzioni \* 1
- 10 . UN partizione asse \* 1
- 11 . B partizione asse \* 1
- 12 . C partizione asse \* 1
- 13 . Bilanciere maniglia \* 1
- 14 . M8 \_ \* 70 esadecimale PRESA maniglia vite \* 1
- 15 . Divisione piatto posizionamento regolatore \* 1
- 16 . Limite bloccare \* 1
- 17 . Anello elastico \* 1
- 18 . M5 \* 10 Phillips vite \* 3

**Modello : HV-4-4R**

- 1. Principale corpo \* 1**
- 2. Maniglia \* 2**
- 3. M6 \* 55 bullone \* 2**
- 4. M6 noce \_ \* 2**
- 5.  $\varnothing$  6 Piatto guarnizione \* 2**
- 6. Posizionamento \_ bloccare \* 2**
- 7. Premendo piatto \_ \* 2**
- 8 . Cuscino bloccare \* 2**
- 9. Istruzioni \* 1**

**Modello : HV-6-4B**

- 1 . UN partizione asse \* 1**
- 2. B partizione asse \* 1**
- 3 . C partizione asse \* 1**
- 4 . Bilanciere maniglia \* 1**
- 5. M8 \_ \* 70 esadecimale PRESA maniglia vite \* 1**
- 6. Divisione piatto posizionamento regolatore \* 1**
- 7. Limite bloccare \* 1**
- 8 . Anello elastico \* 1**
- 9. M5 \* 10 Phillips vite \* 3**
- 10. M5 \_ \* 10 esadecimale PRESA vite \* 4**
- 11. Posizionamento \_ bloccare \* 4**
- 12. M12 \_ \* 40 T - bullone \* 2**
- 13 . Noce \* 2**
- 14. Interno esagonale chiave inglese \* 1**
- 1 5. Istruzioni \* 1**

**Modello : HV-6-4**

- 1. Principale corpo \* 1**
- 2. Bilanciere maniglia \* 1**
- 3. M8 \_ \* 70 \_ esadecimale PRESA maniglia vite \* 1**
- 4 . M5 \* 10 esadecimale PRESA vite \* 4**
- 5. Posizionamento bloccare \* 4**
- 6. M12 \* 40 Bullone a T \* 2,**
- 7. Noce \* 2**
- 8 . Istruzioni \* 1**

**Modello : HV-8-4**

- 1. Principale corpo \* 1**
- 2 . Maniglia \* 2**
- 3. Noce \* 2**
- 4. M10 \_ \* 80 esagonale maniglia bullone \* 1**
- 5. Posizionamento bloccare \* 4**
- 6. M5 \_ \* 8 esagonale PRESA bullone \* 4**
- 7. M14 \_ \* 60 Bullone a T \* 2**
- 8. Interno esagonale chiave inglese \* 1**
- 9. Istruzioni \* 1**

**Modello : HV-8-3**

- 1. Principale corpo \* 1**
- 2. Maniglia \* 2**
- 3. M10 \_\_ \* 80 esadecimale PRESA maniglia vite \* 1**
- 4. Posizionamento \_ bloccare \* 4**
- 5. M5 \* 8 h esagonale PRESA bullone \* 4**
- 6. M14 \_ \* 60 T - bullone \* 2**
- 7. Interno esagonale chiave inglese \* 1**
- 8. Noce \* 2**
- 9. Istruzioni \* 1**

**Indirizzo:** Baoshanqu Shuangchenglu 803long 11hao 1602A-1609shi  
Shanghai

**Importato in AUS:** SIHAO PTY LTD . 1 ROKEVA STREETEASTWOOD  
NSW 2122 Australia

**Importato negli Stati Uniti:** Sanven Technology Ltd. Suite250 . 9166  
Anaheim Place, Rancho Cucamonga, CA 91730



SHUNSHUN GmbH  
Römeräcker 9 Z2021, 76351 Linkenheim-  
Hochstetten, Germany



Pooledas Group Ltd  
Unit 5 Albert Edward House, The  
Pavilions Preston, United Kingdom

**Made in China**



**VEVOR<sup>®</sup>**

**TOUGH TOOLS, HALF PRICE**

**Tecnico Supporto E E - Garanzia Certificato**  
**[www.vevor.com/supporto](http://www.vevor.com/supporto)**

# **VEVOR<sup>®</sup>**

**TOUGH TOOLS, HALF PRICE**

Soporte técnico y certificado de garantía electrónica  
[www.vevor.com/support](http://www.vevor.com/support)

## **ROTARIO \_ MESA**

**MODELO : HV-4-KP, HV-4-4, HV-4-4R,  
HV-6-4, HV-6-4B, HV-8-4 , HV-8-3**

We continue to be committed to provide you tools with competitive price. "Save Half", "Half Price" or any other similar expressions used by us only represents an estimate of savings you might benefit from buying certain tools with us compared to the major top brands and does not necessarily mean to cover all categories of tools offered by us. You are kindly reminded to verify carefully when you are placing an order with us if you are actually saving half in comparison with the top major brands.

MODELO : HV-4-KP, HV-4-4, HV-4-4R, HV-6-4, HV-6-4B, HV-8-4 HV-8-3



### NECESIDAD AYUDA ? CONTACTO A NOSOTROS !

Tener producto preguntas ? Necesidad técnico apoyo ? Por favor sentir gratis contactar a nosotros :

**Técnico Apoyo y E - Garantía Certificado**

**[www.vevor.es](http://www.vevor.es) / soporte**

Este es el original instrucciones, lea atentamente todas las instrucciones del manual antes de operar. VEVOR se reserva una interpretación clara de nuestro usuario manual . El apariencia de el El producto estará sujeto al producto. tú recibió. Por favor, perdónanos por no volver a informarte si hay son cualquier tecnología o software actualizaciones en nuestro producto .



Advertencia: para reducir el riesgo de lesiones, el usuario debe leer las instrucciones manual con cuidado .

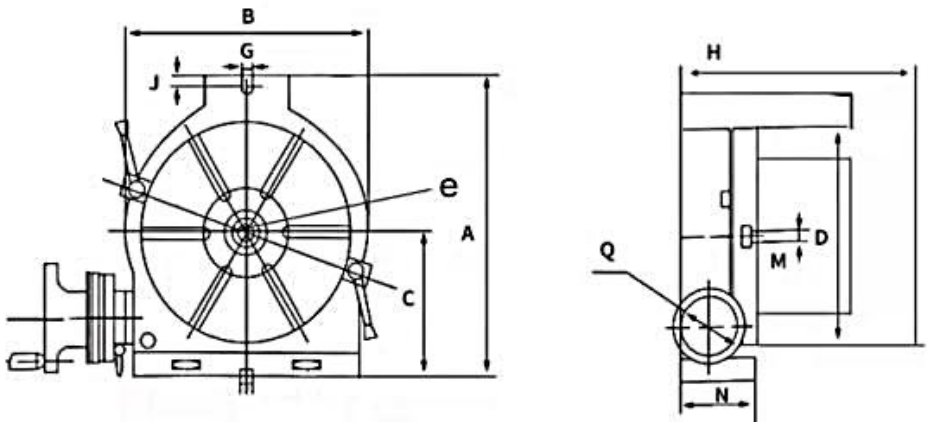


## PRECISION ROTARY TABLES

resumen dos tipos de mesas giratorias. aquí colectivamente . Los mecanismos común a estos mesas se muestran en algunas páginas de su descripción .


HORIZONTAL VERTICAL \_ PRECISIÓN GIRATORIO MESA

Este giratorio mesa es diseñado para permanente mecanizado operaciones en una mayor dimensión que la de las mesas giratorias de tipo horizontal . la base puede ser usado en una posición vertical \_ a permitir él a llevar fuera del centro trabajar .

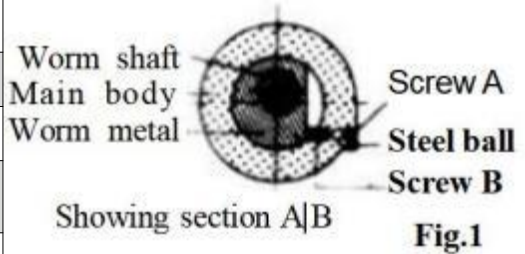


ESPECIFICACIONES : \_

Unidad:  
mm/pulgada s

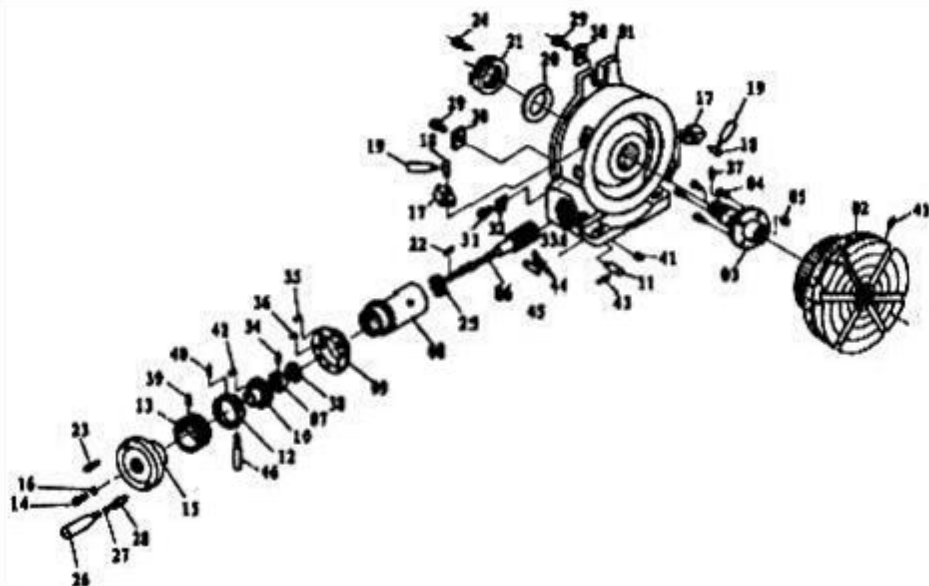
Horizontal/ Vertical Type	Model No.	Duter diameter	Height	Height	Worm Gear ratio	Center sileeve	Width of slots	Bolt slots
		D(inch/mm)	H(inch/mm)	C (inch/mm)	/	/	M(inch/mm)	G (inch/mm)
	HV-4-4R	4" 101.6mm	2.76" 70mm	3.35" 85mm	1:36	/	0.31" 8mm	/
	HV-4-KP	4" 101.6mm	4.72" 120mm	3.35" 85mm	1:36	/	/	/
	HV-4-4	4" 101.6mm	3.35" 85mm	3.35" 85mm	1:72	MT2	0.47" 12mm	0.55" 14mm
	HV-6-4B	6" 152.4mm	3.35" 85mm	3.94" 100mm	1:90	MT2	0.55" 14mm	0.63" 16mm
	HV-6-4	6" 152.4mm	3.35" 85mm	3.94" 100mm	1:90	MT2	0.55" 14mm	0.63" 16mm
	HV-8-4	8" 203.2mm	4.13" 105mm	5.31" 135mm	1:90	MT3	0.55" 14mm	0.63" 16mm
	HV-8-3	8" 203.2mm	4.13" 105mm	5.31" 135mm	1:90	MT3	0.55" 14mm	0.63" 16mm

Modelo	Alto voltaje - 3"	Alto voltaje - 4"	Alto voltaje - 5"
A	98	145	155
B	78	114	127
C	59	85,5	90
D	F 7 6,2	F110	F 1 27
mi	12	12	12
GRAMO			
h	83	85	85
j			15_
METRO	MT 2		MT 2
norte	71	68	68



**1. Ajuste Malla de Gusano Engranaje :** Aflojar el metal abrazadera manejar y turno \_ el cambiar metal agujas del reloj hasta él toca el tapón . El gusano el engranaje tiene ahora estado desconectado . Doblar él en sentido anti-horario hasta él toca el tapón, el gusano y engranaje rueda voluntad comprometer . Apretar el metal mango de abrazadera después compromiso . Un Se puede obtener un ajuste adicional quitando el tornillo ④ y la bola de acero y girando el tornillo interior ⑥ en sentido antihorario , de modo que el gusano se acerque más al engranaje rueda . Torneado agujas del reloj trae el gusano lejos de la rueda. Después del ajuste insertar el acero bola y apriete el tornillo ④

**2. Axia l Ajustamiento de Gusano Eje :** Cuando axial flojo ocurre ajuste de engranajes es transportado afuera por apretando la tuerca interior del eje helicoidal después de quitar la manija, el anillo vernier y el metal del interruptor. Después del ajuste . bloquear la tuerca en el eje por medio de el colocar tornillo . ( El ERT -6 tiene un ajuste nuez , que poder ser utilizado después de retirar el mango.)



## PARTS LIST For HV6,HV8,HV10,HV12,HV14,HV16

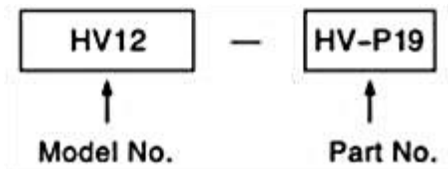
Part No.	Description	Part No.	Description
HV-P01	Main body	HV-P24	Hex.socket cap screw
HV-P02	Table	HV-P25	Bearing thrust collar
HV-P03	Table sleeve	HV-P26	Handle
HV-P04	Hex.socket cap screw	HV-P27	Circlips
HV-P05	Oil cup	HV-P28	Screw rod
HV-P06	Worm rod	HV-P29	Hex.socket cap screw
HV-p07	Lock nuts	HV-P30	Guide key
HV-P08	Worm metal	HV-P31	Hex.socket cap screw
HV-P09	Adjusting dial	HV-P32	Limit Plate
HV-P10	Adjusting dial	HV-P33	Set screw
HV-P11	Metal setting screw	HV-P34	Set screw
HV-P12	Vernier ring	HV-P35	Hex.socket cap screw
HV-P13	Micro-collar	HV-P36	Set screw
HV-P14	Hex.Socket cap screw	HV-P37	Pin
HV-P15	Handle wheel	HV-P38	Bearing thrust collar
HV-P16	Washer	HV-P39	Collar set screw
HV-P17	Clamp piece	HV-P40	Collar set screw
HV-P18	Clamp bolt	HV-P41	Oil cup
HV-P19	Clamp handle	HV-P42	Hex.socket cap screw
HV-P20	Ring	HV-P43	Lock handle
HV-P21	Lock nuts	HV-P44	Rivets
HV-P22	Key	HV-P45	Plate
HV-P23	Handle	HV-P46	Handle

## Operando \_ Instrucción y Función de Cada Unidad

1. El La relación de engranaje helicoidal es 1:90.
  - uno girar de el manejar se mueve el mesa por  $4^\circ$
  - Microcuello \_\_ es graduado en pasos de 1min . \_
  - Vernier escala marcas ajustes abajo a 10 segundos posible . (20 segundos para ( HV 6)
2. Dividiendo de 2 a 100 se puede realizar de forma rápida y precisa adjuntando a Divisor Mecanismo .
3. Centro trabajar poder también ser transportado afuera utilizando la base en posición vertical junto con un contrapunto. (Consulte la página 4.)

### \* Sugerencias para Orden

Cuando ordenar partes para reemplazo , indicar Modelo No . y Parte No .

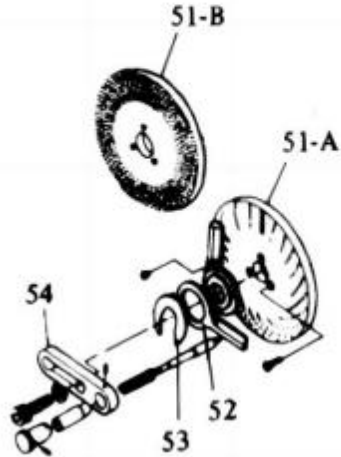


## OPTIONAL ACCESSORIES DIVIDING PLATES

### Dividing Mechanism



Dividing Plate set includes index plate,crank handle,3 pcs screw,sector,& U-washer



### RT con dividiendo \_ Lámina

### ESPECIFICACIONES \_ PARA DIVISOR PLATOS

Unidad : mm / pulgadas \_

MODEL O _ NO _	Dimensiones principales de DM				Peso kg / lb _	Aplicable mesa	
	Placa divisoria tornillo de ajuste	Interno diametro de sector soy	exterior del resorte acortar	Ancho de arboleda en mango lámina _			
PD - 1	PCD.(32/ 1,26) F	21 0.83	18 0.71	9 0.03	2.5 5.51	MINI (HV3H V 4/ HV 5)  HV6	P 7 P 9 P 10
PD -2	(3 agujeros) PCD . 46/1,81	28.7 1.12	44 1.73	10 0.39	4 8.82	HV8,10, 12, 14,16	P 7 P 9 P 10

## En caso de Un Opcional DM Dispositivo \_ Adjunto

Indexación de 2 a 100 latas ser hecho precisamente y rápido.

### Ecuación de indexación \_

Desde el gusano relación es 1:90, cuando se hace que el mango gire una revolución de  $360^\circ$ , el mesa por lo tanto voluntad rotar una revolución de  $1/90$ . Las relaciones entre manejar revolución ' N ' y número individual ' T ' a ser buscado son mostrado en la siguiente ecuación:

$$N = \frac{90}{T}$$

Observaciones : El La tabla de índice de la página 6 se elabora sobre la base de esta ecuación.

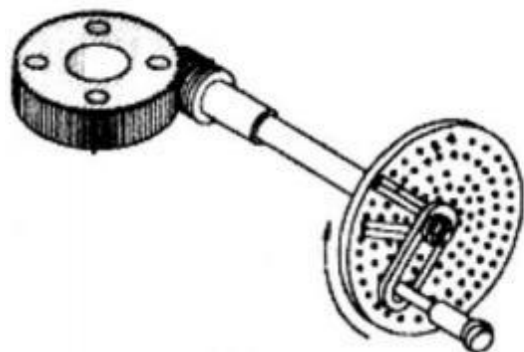
### ( Ejemplo )

En caso de que el operador quiere a índice el posición dividido en 29 iguales partes . Consejos en operación Como para 29 personas números , el número

de manivela manejar revoluciones ( N ) es  $3 \frac{9}{87}$  como mostrado en

el mesa en Página

6, entonces eso el manejar debe girarse una revolución completa de  $360^\circ$  tres veces más un intervalo de nueve agujeros ( en este tiempo , significa intervalos de hoyos, no números de hoyos ). Después configuración este punto como a comenzar punto , gire el mango una revolución completa de  $360^\circ$  tres veces más un intervalo de nueve agujeros ( en este tiempo , significa agujero intervalos no agujero números ). Después de establecer este punto como punto de inicio , gire el mango una revolución completa de  $360^\circ$  tres veces más un intervalo de nueve agujeros . Cuando el procedimiento es repetido a su vez hasta 29 veces, la indexación de divisor de esta manera se consigue dividirlo en 29 partes iguales.



## Operaciones \_ de Manivela Manejar y Sector

En caso de el Ejemplo ' División en 29 iguales Partes antes mencionadas , \_ es Es natural que la operación de indexación proceda . con el intervalos de nueve agujeros después de configurar el índice plato ( B plato ) en cual a fila de 87 hoyos están provistos . Pero En este método, el operador tiene que contar los intervalos de nueve hoyos uno por uno . Él debe sentirse ineficiente. Desde este punto de vista, es necesario utilizar un dispositivo llamado "sector" para evitar la identificación. semejante molesto procedimientos . El siguiente testamento describir alguno trámites necesarios para el funcionamiento del sector.

a . Aflojar el manivela manejar cerrar tuerca , ajuste su longitud entonces como a causa el índice alfiler a desplomarse el tren de 87 hoyos , y apretar él .

b . Aflojar el tornillos de fijación de el sector . abre dos brazos en conformidad con el intervalo de nueve agujeros ( total números de agujeros es diez ) , y apretar con tornillos de fijación .

C . Primero , trae el izquierda brazo de el sector cerca el índice alfileres \_ \_ izquierda lado .

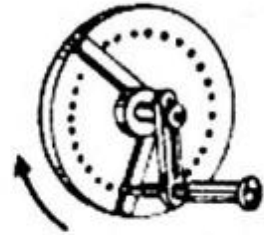
d . A continuación , rotar el manivela manejar agujas del reloj Aplicar él a el bien brazo de el sector entonces que el índice alfiler voluntad caer en el agujero situado en esto bien brazos \_ \_ izquierda lado superficie .

mi . Girar el sector agujas del reloj este tiempo y poner el bien lado superficie de el izquierda brazo hacia izquierda lado de el índice alfiler . En este el tiempo , las relaciones entre el índice alfiler y el sector \_ izquierda brazo en su posiciones son lo mismo como en Par . C ) .

El índice lámina agujero eso en realidad se adapta el índice alfiler es situado en el punto dónde él va al otro lado de diez agujeros hacia bien lejos de el agujero como en par . c ) c . F . \_ Repetir el mismo procedimientos según sea necesario .



Manivela \_  
Índice bolígrafo



Higo 5



Higo 6



Figura 7 \_

Higo 8

**Índice Mesa ( para gusano relación 1:90 ) DP-1 Para HV6/MINI(HV3/HV4/HV5)**

T	H	N	T	H	N	T	H	N
1			43		2 4/43	82	C-41	1 4/11
2		45	44	C-43		83		
3		30	45		2	84		
4	A-20	22 10/20	46	B-23	1 22/23	85		
5		18	47	C-47	1 43/47	86	C-43	1 2/43
6		15	48	A-16	1 14/16	87	B-29	1 1/29
7	B-21	12 8/21	49	C-49	1 41/49	88		
8	A-20	11 5/20	50	A-20	1 16/20	89		
9		10	51			90		
10		9	52			91		
11	B-33	8 6/33	53			92		
12	A-20	7 10/20	54	A-18	1 12/18	93	B-31	30/31
13	C-39	6 30/39	55	B-33	1 21/33	94	C-47	45/47
14	B-21	6 9/21	56			95	A-19	18/19
15		6	57	A-19	1 11/19	96	A-16	15/16
16	A-16	5 10/16	58	B-29	1 16/29	97		
17	A-17	5 5/17	59			98	C-49	45/49
18		5	60	A-20	1 1/20	99	B-33	30/33
19	A-19	4 14/19	61			100	A-20	18/20
20	A-20	4 10/20	62	B-31	1 14/31			
21	B-21	4 6/21	63	B-21	1 9/21			
22	B-33	4 3/33	64					
23	B-23	3 21/23	65	C-39	1 15/39			
24	A-20	3 15/20	66	B-33	1 12/33			
25	A-20	3 12/20	67					
26	C-39	3 18/39	68					
27	A-18	3 6/18	69	B-23	1 7/23			
28			70	B-21	1 6/21			
29	B-29	3 3/29	71					
30		3	72	A-20	1 5/20			
31	B-31	2 28/31	73					
32	A-16	2 13/16	74	C-37	1 8/37			
33	B-33	2 24/33	75	A-20	1 4/20			
34	A-17	2 11/17	76					
35	B-21	2 12/21	77					
36	A-20	2 10/20	78	C-39	1 6/39			
37	C-37	2 16/37	79					
38	A-19	2 7/19	80	A-16	1 2/16			
39	C-39	2 12/39	81	A-18	1 2/18			
40	A-20	2 15/20						
41	C-41	2 8/41						
42	B-21	2 3/21						

## PD -2 Para HV 8, HV 10, HV 12, HV 14, HV 1 6

T	H	N	T	H	N	T	H	N
2		45	32	A-32	2 26/32	65	B-91	1 35/91
3		30	33	B-99	2 72/99	66	A-44	1 16/44
4	A-26	22 13/26	34	A-34	2 22/34	67	B-99	1 36/99
	A-28	22 14/28		A-28	2 16/28		B-67	1 23/67
5		18	35	B-63	2 36/63	68	A-34	1 11/34
6		15		A-26	2 13/26	69	A-46	1 14/46
7	A-28	12 24/28	36	A-28	2 14/28		70	B-69
	A-77	12 66/77		37	A-37	2 16/37		A-28
8	A-28	11 7/28	38	A-38	2 14/38	71	B-63	1 18/63
	A-44	11 11/44		39	A-26		2 8/26	B-71
9		10	40		B-91	2 28/91	72	A-32
10		9		A-28	2 7/28	A-44		1 11/44
11	A-44	8 8/44	41	A-44	2 11/44	73	B-73	1 17/73
	B-77	8 14/77		A-41	2 8/41		74	A-37
12	A-26	7 13/26	42	A-28	2 4/28	75	A-30	1 6/30
	A-28	7 14/28		B-63	2 9/63		76	A-38
13	A-29	6 24/26	43	A-43	2 4/43	77	B-77	1 13/77
	B-91	6 84/91		44	A-44		2 2/44	78
14	A-28	6 12/28	45			2	79	
	B-77	6 33/77		46	A-46	1 44/46		B-79
15		6	47		B-69	1 66/69	80	A-32
16	A-32	5 20/32		A-47	1 43/47	81		B-63
17	A-34	5 10/34	48	A-32	1 28/32	81	B-81	1 9/81
18		5	49	A-49	1 41/49	82	A-41	1 4/41
19	A-38	4 28/38	50	A-30	1 24/30	83	B-83	1 7/83
20	A-26	4 13/26	51	A-34	1 26/34	84	A-28	1 2/28
	A-28	4 14/28		52	A-26		1 19/26	85
21	A-28	4 8/28	53	A-53	1 37/53	86	A-43	1 2/43
	B-77	4 22/77		54	A-30		1 20/30	87
22	A-44	4 4/44	55		B-63	1 42/63	88	A-44
	B-77	4 7/77		A-44	1 28/44	89		B-89
23	A-46	3 42/46	56	B-77	1 49/77	90		1
	B-69	3 63/69		A-28	1 17/28		91	B-91
24	A-28	3 21/28	57	B-38	1 22/38	92	A-46	45/46
	B-44	3 33/44		58	B-87		1 48/87	93
25	A-30	3 18/30	59	A-59	1 31/59	94	A-47	45/47
26	A-26	3 12/26	60	A-34	1 17/34	95	A-38	36/38
	B-91	3 42/91		A-32	1 16/32		96	A-32
27	A-30	3 10/30	61	B-61	1 29/61	97	B-97	90/97
	B-63	3 21/63		62	B-93		1 42/93	98
28	A-28	3 6/28	63	B-49	1 21/49	99	A-44	40/44
29	B-87	3 9/87		B-77	1 33/77		B-99	90/99
30		3	64	A-32	1 13/32	100	A-30	27/30
31	B-93	2 84/93	65	A-26	1 10/26			

### Descripción de en el índice mesa.

Esta mesa es la uno ser calculado para el índice lámina con agujero números mostrados abajo .

### Descripción \_ de códigos usado en el índice mesa

T: Número individual deseado

N: Número de revoluciones de el índice lámina

: Opción \_

A : Usando A lámina

B : Usando B lámina

### **Número de agujeros**

#### **PD - 1**

Un plato 15, 16,17, 18,19,20

B Lámina 21,23,27,29,31,33

CP tarde 37,39,41,43,47,49

#### **PD - 2**

Un plato 26,28,  
30,32,34,37,38,39,41,43,44,46,47,49,51,53,57,59

B Lámina 61,63,67,69,71,73,77,79,81,83,87,89,91,93,97,99

# **LISTA DE PARTES**

**Modelo : HV-4-KP**

- 1. Principal cuerpo \* 1**
- 2. Manejar \* 2**
- 3. Arrojar llave inglesa \* 1**
- 4. Contrarrestar \_ mandíbulas \* 1 colocar (3 piezas )**
- 5. M 10 \* 40 T - perno \* 2**
- 6. M10 tuerca \* 2**
- 7. Instrucciones \* 1**

**Modelo : HV-4-4**

- 1. Principal cuerpo \* 1**
- 2. Manejar \* 2**
- 3. M6 \* 55 tornillo \* 2**
- 4. M6 tuerca \_ \* 2**
- 5.  $\varnothing$  6 departamento empaquetadura \* 2**
- 6. Posicionamiento \_ bloquear \* 2**
- 7. Prensado lámina \_ \* 2**
- 8 . Almohadón bloquear \* 2**
- 9. Instrucciones \* 1**
- 10 . A dividir junta \* 1**
- 11 . B dividir junta \* 1**
- 12 . C dividir junta \* 1**
- 13 . Balancín manejar \* 1**
- 14 . m 8 \* 70 maleficio enchufe manejar tornillo \* 1**
- 15 . División lámina posicionamiento regulador \* 1**
- dieciséis . Límite bloquear \* 1**
- 17 . clip de seguridad \* 1**
- 18 . M5 \* 10 Phillips tornillo \* 3**

**Modelo : HV-4-4R**

- 1. Principal cuerpo \* 1**
- 2. Manejar \* 2**
- 3. M6 \* 55 tornillo \* 2**
- 4. M6 tuerca \_ \* 2**
- 5. φ 6 departamento empaquetadura \* 2**
- 6. Posicionamiento \_ bloquear \* 2**
- 7. Prensado lámina \_ \* 2**
- 8 . Almohadón bloquear \* 2**
- 9. Instrucciones \* 1**

**Modelo : HV-6-4B**

- 1 . A dividir junta \* 1**
- 2. B dividir junta \* 1**
- 3 . C dividir junta \* 1**
- 4 . Balancín manejar \* 1**
- 5. m 8 \* 70 maleficio enchufe manejar tornillo \* 1**
- 6. División lámina posicionamiento regulador \* 1**
- 7. Límite bloquear \* 1**
- 8 . clip de seguridad \* 1**
- 9. M5 \* 10 Phillips tornillo \* 3**
- 10. m5 \_ \* 10 maleficio enchufe tornillo \* 4**
- 11. Posicionamiento \_ bloquear \* 4**
- 12. M 12 \* 40 T - perno \* 2**
- 13 . Tuerca \* 2**
- 14. Interno hexagonal llave inglesa \* 1**
- 15 . Instrucciones \* 1**

**Modelo : HV-6-4**

1. Principal cuerpo \* 1
2. Balancín manejar \* 1
3. m 8 \* 7 0 maleficio enchufe manejar tornillo \* 1
- 4 . M5 \* 10 maleficio enchufe tornillo \* 4
5. Posicionamiento bloquear \* 4
6. M12 \* 40 perno en T \* 2,
7. Tuerca \* 2
- 8 . Instrucciones \* 1

**Modelo : HV-8-4**

1. Principal cuerpo \* 1
- 2 . Manejar \* 2
3. Tuerca \* 2
4. M 10 \* 80 hexagonal manejar tornillo \* 1
5. Posicionamiento bloquear \* 4
6. m5 \_ \* 8 hexagonal enchufe tornillo \* 4
7. M 14 \* 60 perno en T \* 2
8. Interno hexagonal llave inglesa \* 1
9. Instrucciones \* 1

**Modelo : HV-8-3**

1. Principal cuerpo \* 1
2. Manejar \* 2
3. M 1 0 \* 80 maleficio enchufe manejar tornillo \* 1
4. Posicionamiento \_ bloquear \* 4
5. M5 \* 8 h exogonal enchufe tornillo \* 4
6. M 14 \* 60 T - perno \* 2
7. Interno hexagonal llave inglesa \* 1
8. Tuerca \* 2
9. Instrucciones \* 1

**Dirección:** Baoshanqu Shuangchenglu 803long 11hao 1602A-1609shi  
Shanghai

**Importado a AUS:** SIHAO PTY LTD . 1 ROKEVA STREET ASTWOOD  
NSW 2122 Australia

**Importado a EE. UU.:** Sanven Technology Ltd. Suite 250 . 9166 Anaheim  
Place, Rancho Cucamonga, CA 91730



SHUNSHUN GmbH  
Römeräcker 9 Z2021, 76351 Linkenheim-  
Hochstetten, Germany



Pooledas Group Ltd  
Unit 5 Albert Edward House, The  
Pavilions Preston, United Kingdom

**Hecho en china**



**VEVOR<sup>®</sup>**

**TOUGH TOOLS, HALF PRICE**

Técnico Apoyo y E - Garantía Certificado  
[www.vevor.es / soporte](http://www.vevor.es/suporte)

# **VEVOR**<sup>®</sup>

**TOUGH TOOLS, HALF PRICE**

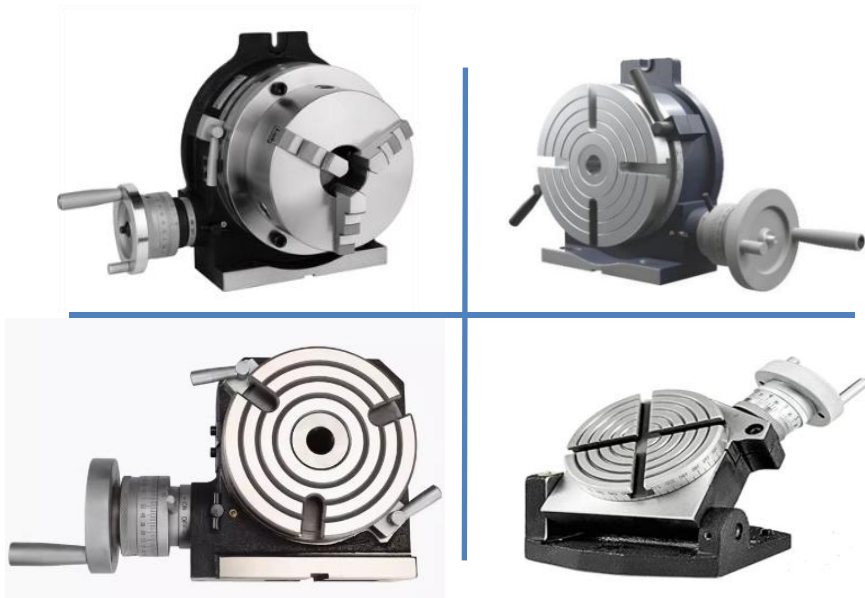
Wsparcie techniczne i certyfikat e-gwarancji  
[www.vevor.com/support](http://www.vevor.com/support)

## **ROTARY \_ TABELA**

**MODEL : HV-4-KP, HV-4-4, HV-4-4R,  
HV-6-4, HV-6-4B, HV-8-4 , HV-8-3**

We continue to be committed to provide you tools with competitive price. "Save Half", "Half Price" or any other similar expressions used by us only represents an estimate of savings you might benefit from buying certain tools with us compared to the major top brands and does not necessarily mean to cover all categories of tools offered by us. You are kindly reminded to verify carefully when you are placing an order with us if you are actually saving half in comparison with the top major brands.

MODELE : HV-4-KP, HV-4-4, HV-4-4R, HV-6-4, HV-6-4B, HV-8-4 HV-8-3



### POTRZEBOWAĆ POMOC ? KONTAKT NAS !

Mieć produkt pytania ? Potrzebować techniczny wsparcie ? Proszę  
czuć bezpłatny skontaktować się nas :

**Techniczny Wsparcie I E - Gwarancja**

**Certyfikat [www . wevor . com /  
wsparcie](http://www.wevor.com/wsparcie)**

Ten Jest the oryginalny instrukcji, przed przystąpieniem do obsługi  
należy dokładnie zapoznać się ze wszystkimi instrukcjami obsługi.  
VEVOR zastrzega sobie jasną interpretację naszego użytkownika  
podręcznik . The wygląd z the produkt podlega produktowi Ty  
otrzymane. Proszę nam wybaczyć, że nie poinformujemy Państwa  
ponownie, jeśli tam będzie Czy każdy technologia Lub oprogramowanie

aktualizacje NA nasz produkt .



zmniejszyć ryzyko obrażeń, użytkownik musi przeczytać instrukcję podręcznik ostrożnie .

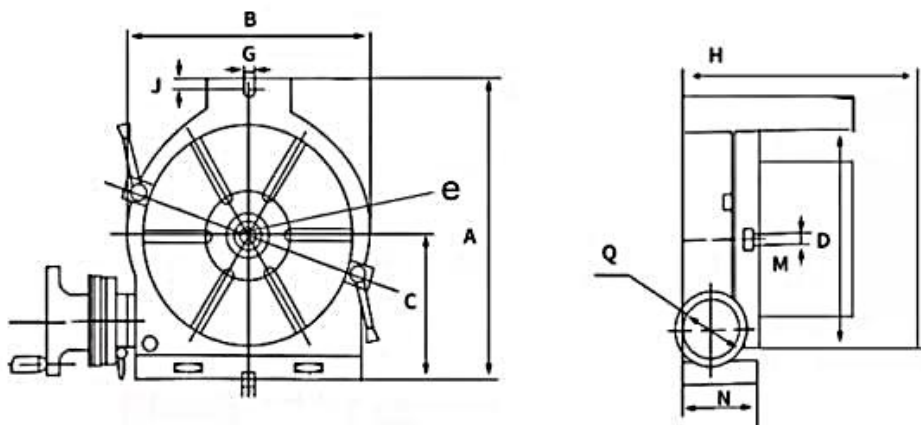



## PRECISION ROTARY TABLES

Podsumowano dwa typy stołów obrotowych Tutaj zbiorowo .  
Mechanizmy wspólny Do te stoły są pokazane na niektórych  
stronach ich opisów .

### POZIOMY PIONOWY \_ PRECYZJA OBROTOWY TABELA

Ten obrotowy tabela Jest zaprojektowany, aby na to pozwolić obróbka  
operacje Na wyższy wymiar niż w przypadku stołów obrotowych typu  
poziomego . Baza może \_ Być używany W A pozycja pionowa \_ Do  
włączać To Do nosić poza centrum praca .



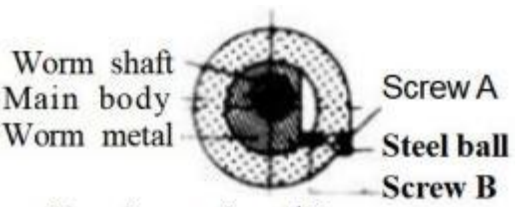
Horizontal/ Vertical Type	Model No.	Duter diameter	Height	Height	Worm Gear ratio	Center sileeve	Width of slots	Bolt slots
		D(inch/mm)	H(inch/mm)	C (inch/mm)	/	/	M(inch/mm)	G (inch/mm)
	HV-4-4R	4" 101.6mm	2.76" 70mm	3.35" 85mm	1:36	/	0.31" 8mm	/
	HV-4-KP	4" 101.6mm	4.72" 120mm	3.35" 85mm	1:36	/	/	/
	HV-4-4	4" 101.6mm	3.35" 85mm	3.35" 85mm	1:72	MT2	0.47" 12mm	0.55" 14mm
	HV-6-4B	6" 152.4mm	3.35" 85mm	3.94" 100mm	1:90	MT2	0.55" 14mm	0.63" 16mm
	HV-6-4	6" 152.4mm	3.35" 85mm	3.94" 100mm	1:90	MT2	0.55" 14mm	0.63" 16mm
	HV-8-4	8" 203.2mm	4.13" 105mm	5.31" 135mm	1:90	MT3	0.55" 14mm	0.63" 16mm
	HV-8-3	8" 203.2mm	4.13" 105mm	5.31" 135mm	1:90	MT3	0.55" 14mm	0.63" 16mm

Model	WN - 3"	HV - 4"	HV - 5"
A	98	145	155
B	78	114	127
C	59	85.5	90
D	F7 6.2	F110	F 127
mi	12	12	12
G			
H	83	85	85
J			15
M	ŚT 2		ŚT 2
N	71	68	68

Worm shaft

Main body

Worm metal



Screw A

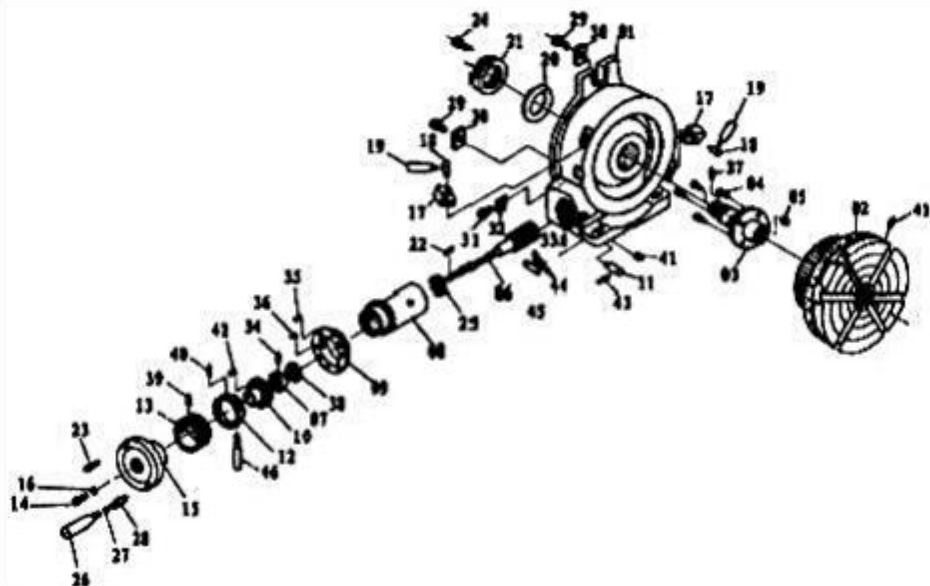
Steel ball

Screw B

Showing section A|B **Fig.1**

**1.Regulacja Siatka z Robak Bieg :** Poluzować the metal Zacisk uchwyt i skręć \_ the przełącznik metal zgodnie ze wskazówkami zegara dopóki To dotyka the korek . The robak sprzęt ma Teraz został odłączony . Zakręć To przeciwnie do ruchu wskazówek zegara dopóki To dotyka korek , robak I bieg koło będzie angażować się . Dokręcać the metal uchwyt zaciskowy Po zaręczyny . Jakiś Dodatkową regulację można uzyskać poprzez zdjęcie the śrubę ④ i kulkę stalową oraz obracając śrubę wewnętrzną ⑥ w kierunku przeciwnym do ruchu wskazówek zegara , dzięki czemu ślimak będzie ściślej współpracował z przekładnią koło . Obrócenie zgodnie ze wskazówkami zegara przynosi the robak od koła. Po regulacji wstawić the stal piłkę i dokręć śrubę ④

**2. Oś I Modyfikacja z Robak Wał :** Kiedy osiowy luźny występuje regulacja biegów Jest realizowane na zewnątrz przez dokręcanie wewnętrzną nakrętkę wału ślimakowego po zdjęciu rękojeści, pierścienia noniusza i metalu przełącznika. Po dostosowaniu . zablokuj nakrętkę na wale przez oznacza z the ustawić śruba . ( \_ ERT -6 ma dostosowanie orzech , który Móc Być używany po zdjęciu rączki.)



## PARTS LIST For HV6,HV8,HV10,HV12,HV14,HV16

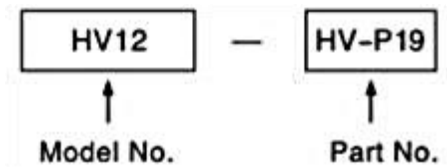
Part No.	Description	Part No.	Description
HV-P01	Main body	HV-P24	Hex.socket cap screw
HV-P02	Table	HV-P25	Bearing thrust collar
HV-P03	Table sleeve	HV-P26	Handle
HV-P04	Hex.socket cap screw	HV-P27	Circlips
HV-P05	Oil cup	HV-P28	Screw rod
HV-P06	Worm rod	HV-P29	Hex.socket cap screw
HV-p07	Lock nuts	HV-P30	Guide key
HV-P08	Worm metal	HV-P31	Hex.socket cap screw
HV-P09	Adjusting dial	HV-P32	Limit Plate
HV-P10	Adjusting dial	HV-P33	Set screw
HV-P11	Metal setting screw	HV-P34	Set screw
HV-P12	Vernier ring	HV-P35	Hex.socket cap screw
HV-P13	Micro-collar	HV-P36	Set screw
HV-P14	Hex.Socket cap screw	HV-P37	Pin
HV-P15	Handle wheel	HV-P38	Bearing thrust collar
HV-P16	Washer	HV-P39	Collar set screw
HV-P17	Clamp piece	HV-P40	Collar set screw
HV-P18	Clamp bolt	HV-P41	Oil cup
HV-P19	Clamp handle	HV-P42	Hex.socket cap screw
HV-P20	Ring	HV-P43	Lock handle
HV-P21	Lock nuts	HV-P44	Rivets
HV-P22	Key	HV-P45	Plate
HV-P23	Handle	HV-P46	Handle

## Działający \_ Instrukcja I Funkcjonować z Każdy Jednostka

1. przełożenie przekładni ślimakowej wynosi 1:90.
  - jeden tum z the uchwyt porusza się the tabela o  $4^\circ$
  - Mikro - kołnierz Jest ukończył W kroki 1 min . \_
  - Noniusz skala sprawia ustawienia w dół do 10 sekund możliwy . (20 sekund ds dla ( HV 6)
2. Dzielenie z 2 do 100 można wykonać szybko i dokładnie, mocując A Działowy Mechanizm .
3. Centrum praca Móc Również Być realizowane na zewnątrz używając podstawy w pozycji pionowej w połączeniu z konikiem. (Patrz strona 4.)

### \* Propozycje Do Zamówienie

Gdy zamawianie Części Do wymiana , wskazać Model NIE . I Część NIE .

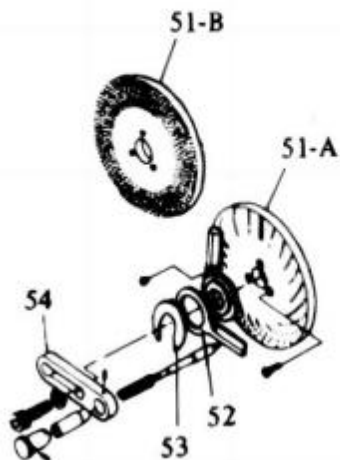


## OPTIONAL ACCESSORIES DIVIDING PLATES

### Dividing Mechanism



Dividing Plate set includes index plate, crank handle, 3 pcs screw, sector, & U-washer



### CZ z Dzielnie \_ Płyta

### ETYFIKACJE SP DLA DZIAŁOWY TALERZE

Jednostka : mm / cale

MODEL _ NIE _	Główne wymiary z DM				Waga osie m kg / lb	Odpowiedni tabela	
	Płyta rozdzielają ca śruba ustalająca	Wewnętr zny średnica sektor jestem	Zewnętr zna średnica sprężyny spinacz	Grove z dth w uchwycie płyta _			
DP - 1	PCD.(32/1,26) F	2 1 0. 83	18 0. 71	9 0. 03	2 5 5. 51	MINI (HV3H V 4/ HV 5)	P 7 P 9 P 10
DP -2	( 3 otwory) PCD . 46/1,81	28. 7 1.12	44 1,73 _	10 0. 39	4 8. 82	HV6 HV8,10, 12, 14,16	P 7 P 9 P 10

**W sprawie z Jakiś Opcjonalny DM Urządzenie \_ Przyłączony**  
Indeksowanie od 2 do 100 puszek Być zrobiony dokładnie i szybko.

### **Równanie z Indeksowanie \_**

Od the robak stosunek wynosi 1:90, gdy uchwyt obraca się o 360° , tabela W związku z tym będzie obrócić obrót o 1/90.

Zależności między uchwyt obrót ' N ' i indywidualny numer ' T ' do  
Być poszukiwany Czy pokazane w następującym równaniu:

$$N = \frac{90}{T}$$

Uwagi : \_ tabela indeksowa na stronie 6 jest tworzona na podstawie tego równania.

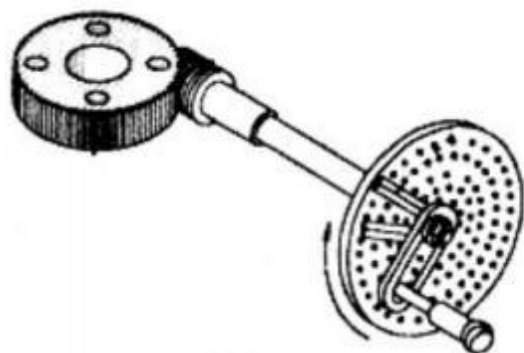
### **( Przykład )**

W razie gdzie the operator chce Do indeks the pozycja podzielony na 29  
równych Części . Poradnik NA operacja Jak dla 29 osób liczby , \_  
numer

z korba uchwyt obrotów ( N ) wynosi  $3 \frac{9}{87}$  Jak pokazane W the

tabela NA Strona

6, więc To the uchwyt należy obrócić o pełny obrót o 360° plus trzy razy  
jakiś interwał z dziewięć dziury ( w Ten czas , oznacza to odstępy między  
dołkami, a nie numery dołków ). Po ustawienie Ten punkt Jak A początek  
punktu , obróć uchwyt o pełny obrót o 360° trzy czasy plus jakiś interwał z  
dziewięć dziury ( w Ten czas , to znaczy otwór interwały nie otwór liczby ).  
Po ustawieniu tego punktu jako punktu początkowego obróć uchwyt  
wykonaj pełny obrót o 360° trzy razy plus przerwa wynosząca dziewięć  
dziury . Gdy the procedura Jest powtórzono kolejno aż 29 razy  
indeksowanie z działowy w ten sposób uzyskuje się 29 równych części.



Operacje \_ z Korba Uchwył I Sektor

W razie z the Przykład „ Podział na 29 równych Części , o których mowa powyżej , to Jest naturalne , że operacja indeksowania powinna być kontynuowana z the interwały z dziewięć dziury po ustawieniu the indeks talerz ( B talerz ) włączony Który A wiersz z 87 dołków są zapewnione . Ale w tej metodzie operator musi policzyć jeden odstęp dziewięciu dołków przez jeden . On musi sprawiać wrażenie nieefektywnego. Z tego punktu widzenia konieczne jest użycie urządzenia zwanego „sektorem” , aby uniknąć taki kłopotliwy procedury . The podążanie za wolą opisać Niektóre procedury niezbędne do funkcjonowania sektora.

A . Poluzować the korba uchwyt zamek nakrętka , wyreguluj ją długość Więc Jak Do przyczyna the indeks szpilka Do być do nabycia the pociąg z 87 dołków i \_ dokręcać To .

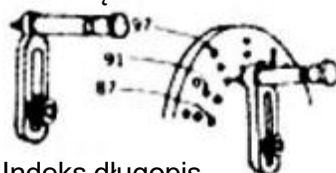
B . Poluzować the zestaw - śruby z the sektor . otwórz dwa ramiona W zgodność z the interwał z dziewięciu dziury ( w sumie liczby z dziury Jest dziesięć ) i \_ dokręcać z śruby ustalające .

C . Najpierw przynieś \_ the lewy ramię z the sektor blisko the indeks szpilki \_ \_ lewy strona .

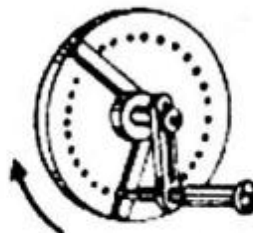
D . Następnie obróć \_ the korba uchwyt zgodnie ze wskazówkami zegara aplikować To Do the Prawidłowy ramię z the sektor Więc że indeks szpilka będzie jesień W the otwór usytuowany w tym Prawidłowy ramiona \_ \_ lewy strona powierzchnia .

tj . Obracać się the sektor zgodnie ze wskazówkami zegara Ten czas i umieścić the Prawidłowy strona powierzchnia z the lewy ramię do lewy strona z the indeks szpilka . W Ten czas , relacje między the indeks szpilka I sektora \_ \_ lewy ramię W ich pozycje Czy ten sam Jak W Par . C ) . The indeks płyta otwór To faktycznie mieści the indeks szpilka Jest usytuowany na punkt Gdzie To wchodzi przez dziesięć dziury do Prawidłowy z dala z the otwór Jak W par . c ) c . F . Powtarzać the To samo procedury jako niezbędnę .

Korba ręczna e



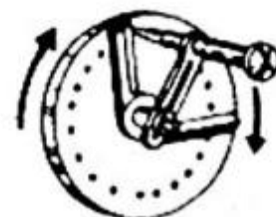
Indeks długopis



Figa 5



Figa 6



Ryc . 7

Figa 8

**Indeks Tabela ( dla robak stosunek 1: 90) DP-1 Dla  
HV6/MINI(HV3/HV4/HV5)**

T	H	N	T	H	N	T	H	N
1			43		2 4/43	82	C-41	1 4/11
2		45	44	C-43		83		
3		30	45		2	84		
4	A-20	22 10/20	46	B-23	1 22/23	85		
5		18	47	C-47	1 43/47	86	C-43	1 2/43
6		15	48	A-16	1 14/16	87	B-29	1 1/29
7	B-21	12 8/21	49	C-49	1 41/49	88		
8	A-20	11 5/20	50	A-20	1 16/20	89		
9		10	51			90		
10		9	52			91		
11	B-33	8 6/33	53			92		
12	A-20	7 10/20	54	A-18	1 12/18	93	B-31	30/31
13	C-39	6 30/39	55	B-33	1 21/33	94	C-47	45/47
14	B-21	6 9/21	56			95	A-19	18/19
15		6	57	A-19	1 11/19	96	A-16	15/16
16	A-16	5 10/16	58	B-29	1 16/29	97		
17	A-17	5 5/17	59			98	C-49	45/49
18		5	60	A-20	1 1/20	99	B-33	30/33
19	A-19	4 14/19	61			100	A-20	18/20
20	A-20	4 10/20	62	B-31	1 14/31			
21	B-21	4 6/21	63	B-21	1 9/21			
22	B-33	4 3/33	64					
23	B-23	3 21/23	65	C-39	1 15/39			
24	A-20	3 15/20	66	B-33	1 12/33			
25	A-20	3 12/20	67					
26	C-39	3 18/39	68					
27	A-18	3 6/18	69	B-23	1 7/23			
28			70	B-21	1 6/21			
29	B-29	3 3/29	71					
30		3	72	A-20	1 5/20			
31	B-31	2 28/31	73					
32	A-16	2 13/16	74	C-37	1 8/37			
33	B-33	2 24/33	75	A-20	1 4/20			
34	A-17	2 11/17	76					
35	B-21	2 12/21	77					
36	A-20	2 10/20	78	C-39	1 6/39			
37	C-37	2 16/37	79					
38	A-19	2 7/19	80	A-16	1 2/16			
39	C-39	2 12/39	81	A-18	1 2/18			
40	A-20	2 15/20						
41	C-41	2 8/41						
42	B-21	2 3/21						

## DP -2 Dla WN 8, WN 10, WN 12, WN 14, WN 1 6

T	H	N	T	H	N	T	H	N
2		45	32	A-32	2 26/32	65	B-91	1 35/91
3		30	33	B-99	2 72/99	66	A-44	1 16/44
4	A-26	22 13/26	34	A-34	2 22/34	67	B-99	1 36/99
	A-28	22 14/28		A-28	2 16/28		B-67	1 23/67
5		18	35	B-63	2 36/63	68	A-34	1 11/34
6		15		A-26	2 13/26	69	A-46	1 14/46
7	A-28	12 24/28	36	A-28	2 14/28		70	B-69
	A-77	12 66/77		37	A-37	2 16/37		A-28
8	A-28	11 7/28	38	A-38	2 14/38	71	B-63	1 18/63
	A-44	11 11/44		39	A-26		2 8/26	B-71
9		10	40		B-91	2 28/91	72	A-32
10		9		A-28	2 7/28	A-44		1 11/44
11	A-44	8 8/44	41	A-44	2 11/44	73	B-73	1 17/73
	B-77	8 14/77		A-41	2 8/41		74	A-37
12	A-26	7 13/26	42	A-28	2 4/28	75	A-30	1 6/30
	A-28	7 14/28		B-63	2 9/63		76	A-38
13	A-29	6 24/26	43	A-43	2 4/43	77	B-77	1 13/77
	B-91	6 84/91		44	A-44		2 2/44	78
14	A-28	6 12/28	45			2	79	
	B-77	6 33/77		46	A-46	1 44/46		B-79
15		6	47		B-69	1 66/69	80	A-32
16	A-32	5 20/32		A-47	1 43/47	81		B-63
17	A-34	5 10/34	48	A-32	1 28/32		81	B-81
18		5		49	A-49	1 41/49		82
19	A-38	4 28/38	50	A-30	1 24/30	83	B-83	
20	A-26	4 13/26		51	A-34		1 26/34	84
	A-28	4 14/28	52		A-26	1 19/26	85	
21	A-28	4 8/28	53	A-53	1 37/53	86	A-43	1 2/43
	B-77	4 22/77		54	A-30		1 20/30	87
22	A-44	4 4/44	55		B-63	1 42/63	88	A-44
	B-77	4 7/77		A-44	1 28/44	89		B-89
23	A-46	3 42/46	56	B-77	1 49/77	90		1
	B-69	3 63/69		A-28	1 17/28		91	B-91
24	A-28	3 21/28	57	B-38	1 22/38	92	A-46	45/46
	B-44	3 33/44		58	B-87		1 48/87	93
25	A-30	3 18/30	59	A-59	1 31/59	94	A-47	45/47
26	A-26	3 12/26		60	A-34		1 17/34	95
	B-91	3 42/91	A-32		1 16/32	96	A-32	30/32
27	A-30	3 10/30	61	B-61	1 29/61	97	B-97	90/97
	B-63	3 21/63		62	B-93		1 42/93	98
28	A-28	3 6/28	63	B-49	1 21/49	99	A-44	40/44
29	B-87	3 9/87		B-77	1 33/77		B-99	90/99
30		3	64	A-32	1 13/32	100	A-30	27/30
31	B-93	2 84/93		65	A-26		1 10/26	

### Opis z W the indeks tabela.

Ten stół to on jeden istnienie obliczony Do the indeks płyta z otwór pokazane numery poniżej .

### Opis \_ z kody używany W the indeks tabela

T: Żądany indywidualny numer r

N: Liczba f rewolucje z the indeks płyta

: Opcja \_

A : Za pomocą A płyta

B : Za pomocą B płyta

### **Numer z dziury**

#### **DP - 1**

Talerz \_ 15, 16,17, 18,19,20

B Płyta 21,23,27,29,31,33

PKP 37,39,41,43,47,49

późno

#### **DP - 2**

Talerz \_ 26,28,

30,32,34,37,38,39,41,43,44,46,47,49,51,53,57,59

B Płyta 61,63,67,69,71,73,77,79,81,83,87,89,91,93,97,99

# LISTA CZĘŚCI

Model : HV-4-KP

1. Główny ciało \* 1
2. Uchwyt \* 2
3. Cmokanie klucz \* 1
4. Odwracać \_ szczęki \* 1 ustawić (3 szt)
5. M 10 \* 40 T - śruba \* 2
6. M10 orzech \* 2
7. Instrukcje \* 1

Model : HV-4-4

1. Główny ciało \* 1
2. Uchwyt \* 2
3. M6 \* 55 śruba \* 2
4. M6 orzech \_ \* 2
5.  $\varnothing$  6 płaski uszczelka \* 2
6. Pozycjonowanie \_ blok \* 2
7. Pilny płyta \_ \* 2
- 8 . Poduszka blok \* 2
9. Instrukcje \* 1
- 10 . A przegroda tablica \* 1
- 11 . B przegroda tablica \* 1
- 12 . C przegroda tablica \* 1
- 13 . Biegun uchwyt \* 1
- 14 . M 8 \* 70 kłątwa gniazdo elektryczne uchwyt śruba \* 1
- 15 . Dział płyta pozycjonowanie regulator \* 1
- 16 . Limit blok \* 1
- 17 . Pierścień zabezpieczający \* 1
- 18 . M5 \* 10 Phillipsa śruba \* 3

**Model : HV-4-4R**

- 1. Główny ciało \* 1**
- 2. Uchwyt \* 2**
- 3. M6 \* 55 śruba \* 2**
- 4. M6 orzech \_ \* 2**
- 5.  $\varnothing$  6 płaski uszczelka \* 2**
- 6. Pozycjonowanie \_ blok \* 2**
- 7. Pilny płyta \_ \* 2**
- 8 . Poduszka blok \* 2**
- 9. Instrukcje \* 1**

**Model : HV-6-4B**

- 1 . A przegroda tablica \* 1**
- 2. B przegroda tablica \* 1**
- 3 . C przegroda tablica \* 1**
- 4 . Biegun uchwyt \* 1**
- 5. M 8 \* 70 kłtwa gniazdo elektryczne uchwyt śruba \* 1**
- 6. Dział płyta pozycjonowanie regulator \* 1**
- 7. Limit blok \* 1**
- 8 . Pierścień zabezpieczający \* 1**
- 9. M5 \* 10 Phillipsa śruba \* 3**
- 10. M 5 \* 10 kłtwa gniazdo elektryczne śruba \* 4**
- 11. Pozycjonowanie \_ blok \* 4**
- 12. M 12 \* 40 T - śruba \* 2**
- 13 . Orzech \* 2**
- 14. Wewnętrzny sześciokątny klucz \* 1**
- 1 5. Instrukcje \* 1**

**Model : HV-6-4**

1. Główny ciało \* 1
2. Biegun uchwyt \* 1
3. M 8 \* 7 0 kłątwa gniazdo elektryczne uchwyt śruba \* 1
- 4 . M5 \* 10 kłątwa gniazdo elektryczne śruba \* 4
5. Pozycjonowanie blok \* 4
6. M12 \* 40 Śruba T \* 2,
7. Orzech \* 2
- 8 . Instrukcje \* 1

**Model : HV-8-4**

1. Główny ciało \* 1
- 2 . Uchwyt \* 2
3. Orzech \* 2
4. M 10 \* 80 sześciokątny uchwyt śruba \* 1
5. Pozycjonowanie blok \* 4
6. M 5 \* 8 sześciokątny gniazdo elektryczne śruba \* 4
7. M 14 \* 60 Śruba T \* 2
8. Wewnętrzny sześciokątny klucz \* 1
9. Instrukcje \* 1

**Model : HV-8-3**

1. Główny ciało \* 1
2. Uchwyt \* 2
3. M 1 0 \* 80 kłątwa gniazdo elektryczne uchwyt śruba \* 1
4. Pozycjonowanie \_ blok \* 4
5. M5 \* 8 h egzogonalny gniazdo elektryczne śruba \* 4
6. M 14 \* 60 T - śruba \* 2
7. Wewnętrzny sześciokątny klucz \* 1
8. Orzech \* 2
9. Instrukcje \* 1

**Adres:** Baoshanqu Shuangchenglu 803long 11hao 1602A-1609shi  
Szanghaj

**Import do AUS:** SIHAO PTY LTD . 1 ROKEVA STREETEASTWOOD  
NSW 2122 Australia

**Import do USA:** Sanven Technology Ltd. Apartament 250 . 9166  
Anaheim Place, Rancho Cucamonga, Kalifornia 91730

<b>EC</b>	<b>REP</b>
-----------	------------

SHUNSHUN GmbH  
Römeräcker 9 Z2021, 76351 Linkenheim-  
Hochstetten, Germany

<b>UK</b>	<b>REP</b>
-----------	------------

Pooledas Group Ltd  
Unit 5 Albert Edward House, The  
Pavilions Preston, United Kingdom

**Wyprodukowano w Chinach**



**VEVOR<sup>®</sup>**

**TOUGH TOOLS, HALF PRICE**

Techniczny Wsparcie | E - Gwarancja Certyfikat  
[www . wevor . com / wsparcie](http://www.wevor.com/wsparcie)

# **VEVOR<sup>®</sup>**

**TOUGH TOOLS, HALF PRICE**

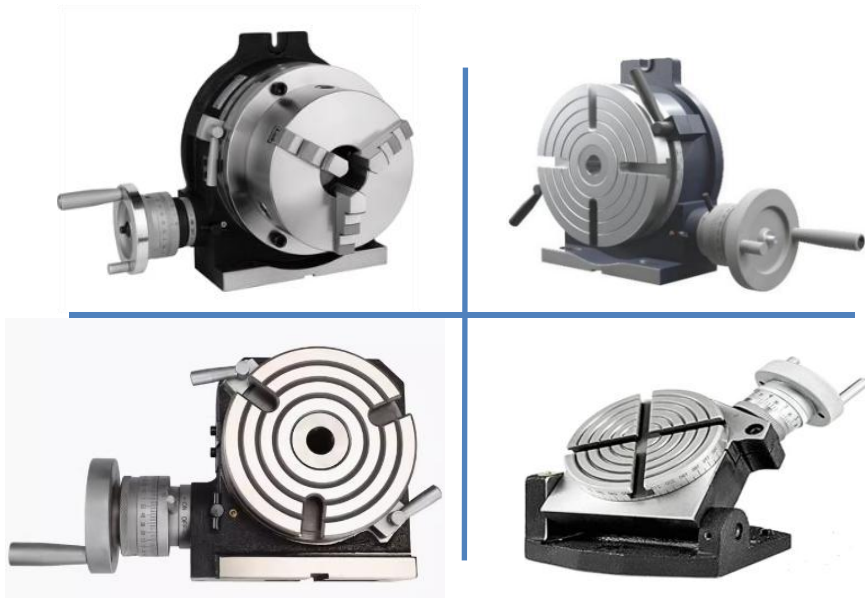
Technische ondersteuning en e-garantiecertificaat  
[www.vevor.com/support](http://www.vevor.com/support)

## **ROTAIR \_ TAFEL**

**MODEL : HV-4-KP, HV-4-4, HV-4-4R,  
HV-6-4, HV-6-4B, HV-8-4 , HV-8-3**

We continue to be committed to provide you tools with competitive price. "Save Half", "Half Price" or any other similar expressions used by us only represents an estimate of savings you might benefit from buying certain tools with us compared to the major top brands and does not necessarily mean to cover all categories of tools offered by us. You are kindly reminded to verify carefully when you are placing an order with us if you are actually saving half in comparison with the top major brands.

MODEL : HV-4-KP, HV-4-4, HV-4-4R, HV-6-4, HV-6-4B, HV-8-4 HV-8-3



### BEHOEFTE HULP ? CONTACT ONS !

Hebben Product vragen ? Behoefte technisch steun ? Alsjeblieft gevoel vrij contact opnemen ons :

**Technisch Steun En E - Garantie Certificaat**  
**[www . kracht . com /](http://www.kracht.com/)**  
**ondersteuning**

Dit is de origineel instructie, lees alle instructies in de handleiding zorgvuldig door voordat u ermee aan de slag gaat. VEVOR behoudt zich een duidelijke interpretatie van onze gebruiker voor handmatig . De verschijning van de product is onderworpen aan het product Jij ontvangen. Vergeef ons alstublieft dat wij u niet nogmaals zullen informeren als dit het geval is Zijn elk technologie of software updates

op ons Product .



Waarschuwing-Om het risico op letsel te verminderen, moet de gebruiker de instructies lezen handmatig zorgvuldig .

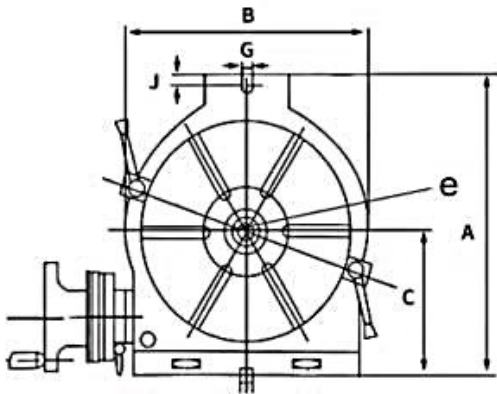


## PRECISION ROTARY TABLES

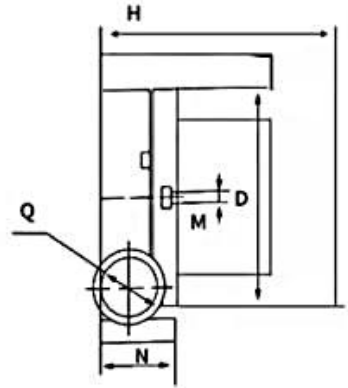
Er worden twee typen draaitafels samengevat hier collectief . De mechanismen gewoon naar deze tafels worden op sommige pagina's van hun beschrijving weergegeven .

HORIZONTALAAL VERTICAAL \_ PRECISIE ROTEREND  
TAFEL


Dit roterend tafel is ontworpen om dit mogelijk te maken bewerking activiteiten bij een hogere afmeting dan die van draaitafels van het horizontale type . De basis kan zijn gebruikt in A verticale positie \_ naar inschakelen Het naar dragen uit het midden werk .



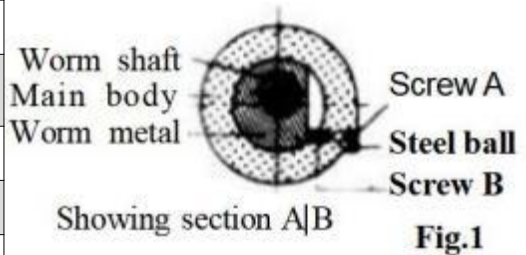
SPECIFICATIES : \_



Eenheid:  
mm/inch s

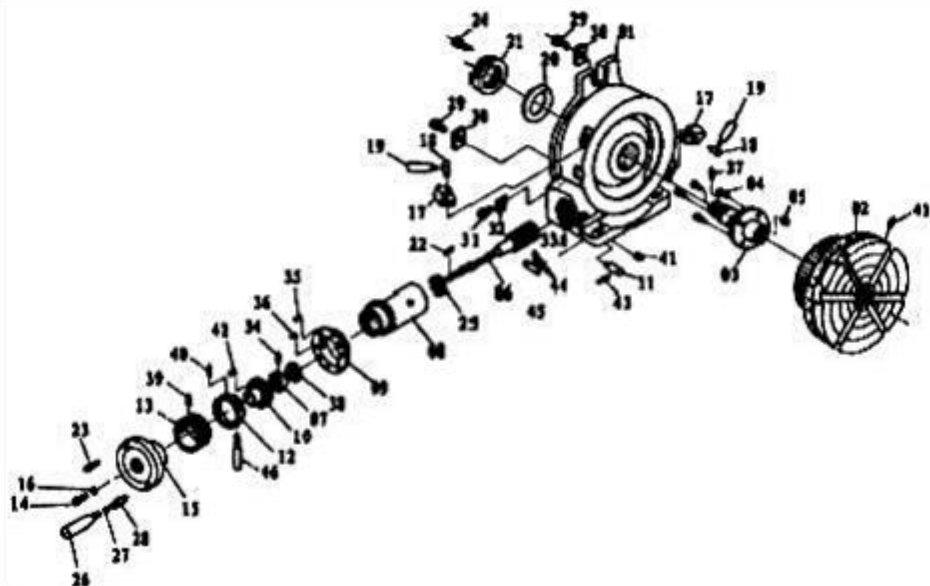
Horizontal/ Vertical Type	Model No.	Duter diameter	Height	Height	Worm Gear ratio	Center sleeve	Width of slots	Bolt slots
		D(inch/mm)	H(inch/mm)	C (inch/mm)	/	/	M(inch/mm)	G (inch/mm)
	HV-4-4R	4" 101.6mm	2.76" 70mm	3.35" 85mm	1:36	/	0.31" 8mm	/
	HV-4-KP	4" 101.6mm	4.72" 120mm	3.35" 85mm	1:36	/	/	/
	HV-4-4	4" 101.6mm	3.35" 85mm	3.35" 85mm	1:72	MT2	0.47" 12mm	0.55" 14mm
	HV-6-4B	6" 152.4mm	3.35" 85mm	3.94" 100mm	1:90	MT2	0.55" 14mm	0.63" 16mm
	HV-6-4	6" 152.4mm	3.35" 85mm	3.94" 100mm	1:90	MT2	0.55" 14mm	0.63" 16mm
	HV-8-4	8" 203.2mm	4.13" 105mm	5.31" 135mm	1:90	MT3	0.55" 14mm	0.63" 16mm
	HV-8-3	8" 203.2mm	4.13" 105mm	5.31" 135mm	1:90	MT3	0.55" 14mm	0.63" 16mm

Model	HV - 3"	HV - 4"	HV - 5"
A	98	145	155
B	78	114	127
C	59	85.5	90
D	F7 6.2	F110	F1 27
E	12	12	12
G			
H	83	85	85
J			15
M	MT2		MT2
N	71	68	68



**1. Aanpassen Gaas van Worm Versnelling :** Losmaken de metaal klem hendel en draai de schakelaar metaal met de klok mee tot Het raakt de stop . De worm uitrusting heeft nu geweest ontkoppeld . Draai Het tegen de klok in tot Het raakt de stop, de worm En versnelling wiel zullen erbij betrekken . Draai vast de metaal klem handvat na betrokkenheid . Een extra aanpassing kan worden verkregen door te verwijderen de schroef ④ en stalen kogel en draai de binnenste schroef ⑥ tegen de klok in , zodat de worm nauwer in contact komt met het tandwiel wiel . Draaien met de klok mee brengt de worm weg van het stuur. Na afstelling invoegen de staal kogel en draai de schroef ④ vast

**2. Axia I Aanpassing van Worm Schacht :** Wanneer axiaal slap komt voor versnelling aanpassing is gedragen uit door aanscherping de binnenste wormasmoer nadat het handvat, de noniusring en het schakelaarmetaal zijn verwijderd. Na aanpassing . vergrendel de moer op de as door middelen van de set schroef . ( De ERT -6 heeft een aanpassing noot , welke kan zijn gebruikt na verwijdering van het handvat.)



## PARTS LIST For HV6,HV8,HV10,HV12,HV14,HV16

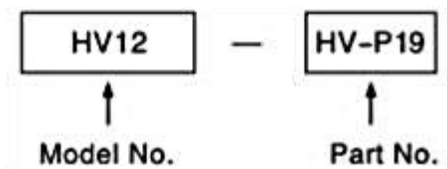
Part No.	Description	Part No.	Description
HV-P01	Main body	HV-P24	Hex.socket cap screw
HV-P02	Table	HV-P25	Bearing thrust collar
HV-P03	Table sleeve	HV-P26	Handle
HV-P04	Hex.socket cap screw	HV-P27	Circlips
HV-P05	Oil cup	HV-P28	Screw rod
HV-P06	Worm rod	HV-P29	Hex.socket cap screw
HV-p07	Lock nuts	HV-P30	Guide key
HV-P08	Worm metal	HV-P31	Hex.socket cap screw
HV-P09	Adjusting dial	HV-P32	Limit Plate
HV-P10	Adjusting dial	HV-P33	Set screw
HV-P11	Metal setting screw	HV-P34	Set screw
HV-P12	Vernier ring	HV-P35	Hex.socket cap screw
HV-P13	Micro-collar	HV-P36	Set screw
HV-P14	Hex.Socket cap screw	HV-P37	Pin
HV-P15	Handle wheel	HV-P38	Bearing thrust collar
HV-P16	Washer	HV-P39	Collar set screw
HV-P17	Clamp piece	HV-P40	Collar set screw
HV-P18	Clamp bolt	HV-P41	Oil cup
HV-P19	Clamp handle	HV-P42	Hex.socket cap screw
HV-P20	Ring	HV-P43	Lock handle
HV-P21	Lock nuts	HV-P44	Rivets
HV-P22	Key	HV-P45	Plate
HV-P23	Handle	HV-P46	Handle

## Operatie \_ Instructie En Functie van Elk Eenheid

1. De wormoverbrengingsverhouding is 1:90.
  - een draai van de hendel beweegt de tafel met 4 °
  - Micro - kraag is afgestudeerd in stappen van 1 min .
  - Nonius schaal maakt instellingen omlaag tot 10 seconden mogelijk . (20 seconden ds voor ( HV 6)
2. Verdelen van 2 tot 100 kan snel en nauwkeurig worden uitgevoerd door te bevestigen A Verdelen Mechanisme .
3. Midden werk kan Ook zijn gedragen uit door de basis in verticale positie te gebruiken in combinatie met een losse kop. (Zie pagina 4.)

### \* Suggesties voor Volgorde

Wanneer bestellen onderdelen voor vervanging , aangeven Model Nee .  
En Deel Nee .

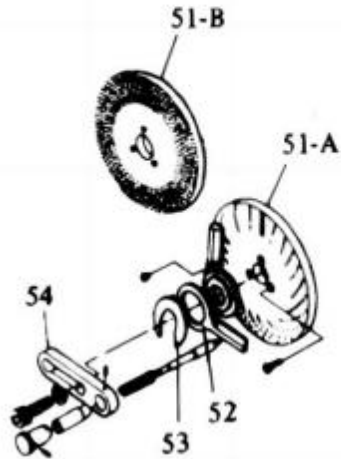


## OPTIONAL ACCESSORIES DIVIDING PLATES

### Dividing Mechanism



Dividing Plate set includes index plate, crank handle, 3 pcs screw, sector, & U-washer



### RT met Verdelen \_ Bord

### SP ECIFICATIES VOOR VERDELEN PLATEN

Eenheid : mm / inch \_

M ODE L NEE _	Grote afmetingen van DM				W acht kg / lb	Van toepassing tafel	
	Verdeelplaat e stelschroef _	Binnen diameter van sector ben	Buitendi ameter van de veer klem	Bosbreedte _ in handvat bord _			
DP - 1	PCD.(32/ 1,26) F	21 0.83	18 0.71	9 0.03	25 5.51	MINI (HV3H V4 / HV5 )  HV6	P7P9P10 -----
DP -2	(3 gaten) PCD . 46/1,81	28.7 1.12	44 1.73 _	10 0.39	4 8.82	HV8,10, 12, 14,16	P7P9P10 -----

## In geval van Een Optioneel DM Apparaat \_ Bijgevoegd

Indexering van 2 tot 100 blikjes zijn gemaakt nauwkeurig en snel.

### Vergelijking van Indexering \_

Sinds de worm verhouding is 1:90, wanneer de handgreep 360° kan draaien , wordt de tafel daarom zullen roteer een revolutie van 1/90. De relaties tussen hendel revolutie ' N ' en individueel nummer ' T ' tot zijn gevraagd Zijn getoond in de volgende vergelijking:

$$N = \frac{90}{T}$$

Opmerkingen : De indextabel op pagina 6 is gemaakt op basis van deze vergelijking.

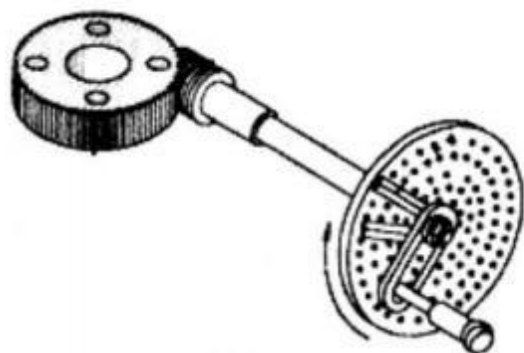
### ( Voorbeeld )

In het geval waar de exploitant wil naar inhoudsopgave de positie verdeeld in 29 gelijk onderdelen . Tips op operatie Als voor 29 personen cijfers , de nummer

van kruk hendel omwentelingen ( N ) is  $3 \frac{9}{87}$  als getoond in de tafel

op Bladzijde

6, dus Dat de hendel moet driemaal plus een volledige 360°-omwenteling worden gedraaid een interval van negen gaten ( in dit tijd , het betekent gatintervallen en niet gatnummers ). Na instelling dit punt als A begin punt , draai de hendel een volledige omwenteling van 360° drie keer plus een interval van negen gaten ( in dit tijd , betekent het gat intervallen niet gat nummers ). Nadat u dit punt als startpunt hebt ingesteld , draait u de handgreep driemaal een volledige omwenteling van 360° plus een interval van negen gaten . Wanneer de procedure is op zijn beurt maar liefst 29 keer herhaald, de indexering van verdelen in 29 gelijke delen wordt aldus bereikt.



## Activiteiten \_ van Zwengel Hendel En Sector

In geval dat van de Voorbeeld ' Divisie in 29 Gelijk Onderdelen ' voornoemd , it is Het is logisch dat de indexeringsoperatie doorgaat met de intervallen van negen gaten na het instellen de inhoudsopgave plaat ( B plaat ) aan welke A rij van 87 gaten voorzien . Maar bij deze methode moet de operator de intervallen van negen gaten één tellen door een . Hij moet inefficiënt aanvoelen. Vanuit dit oogpunt is het noodzakelijk om een apparaat genaamd 'sector' te gebruiken om id te vermijden zo een lastig procedures . De volgende wil beschrijven sommige noodzakelijke procedures voor de werking van de sector.

A . Losmaken de kruk hendel slot moer , pas deze aan lengte Dus als naar oorzaak de inhoudsopgave pin naar erin vallen de trein van 87 gaten , en vastdraaien Het .

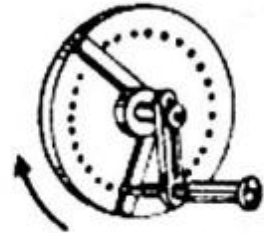
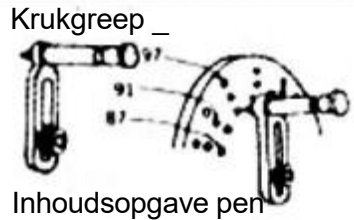
B . Losmaken de stelschroeven \_ \_ van de sector . twee openen armen in overeenstemming met de interval van negen gaten ( totaal cijfers van gaten is tien ) , en vastdraaien met stelschroeven .

C . Eerst brengen \_ de links arm van de sector dichtbij de inhoudsopgave speldjes \_ \_ links kant .

D . Draai vervolgens \_ de kruk hendel met de klok mee toepassen Het naar de rechts arm van de sector Dus dat de inhoudsopgave pin zullen val in de gat gelegen Op deze rechts armen \_ \_ links kant oppervlak .

e . Draaien de sector met de klok mee dit tijd en zet de rechts kant oppervlak van de links arm naar de links kant van de inhoudsopgave speld . In dit tijd , de relaties tussen de inhoudsopgave pin En de sector \_ links arm in hun posities Zijn hetzelfde als in Par . C ).

De inhoudsopgave bord gat Dat daadwerkelijk herbergt de inhoudsopgave pin is gelegen bij de punt waar Het gaat over tien gaten naar de rechts weg van de gat als in par . c ) c . F . Herhalen de dezelfde procedures als nodig .



Afb 5



Afb 6



Afb . 7

Afb 8

## Inhoudsopgave Tabel ( voor worm verhouding 1: 90) DP-1 Voor HV6/MINI(HV3/HV4/HV5)

T	H	N	T	H	N	T	H	N
1			43		2 4/43	82	C-41	1 4/11
2		45	44	C-43		83		
3		30	45		2	84		
4	A-20	22 10/20	46	B-23	1 22/23	85		
5		18	47	C-47	1 43/47	86	C-43	1 2/43
6		15	48	A-16	1 14/16	87	B-29	1 1/29
7	B-21	12 8/21	49	C-49	1 41/49	88		
8	A-20	11 5/20	50	A-20	1 16/20	89		
9		10	51			90		
10		9	52			91		
11	B-33	8 6/33	53			92		
12	A-20	7 10/20	54	A-18	1 12/18	93	B-31	30/31
13	C-39	6 30/39	55	B-33	1 21/33	94	C-47	45/47
14	B-21	6 9/21	56			95	A-19	18/19
15		6	57	A-19	1 11/19	96	A-16	15/16
16	A-16	5 10/16	58	B-29	1 16/29	97		
17	A-17	5 5/17	59			98	C-49	45/49
18		5	60	A-20	1 1/20	99	B-33	30/33
19	A-19	4 14/19	61			100	A-20	18/20
20	A-20	4 10/20	62	B-31	1 14/31			
21	B-21	4 6/21	63	B-21	1 9/21			
22	B-33	4 3/33	64					
23	B-23	3 21/23	65	C-39	1 15/39			
24	A-20	3 15/20	66	B-33	1 12/33			
25	A-20	3 12/20	67					
26	C-39	3 18/39	68					
27	A-18	3 6/18	69	B-23	1 7/23			
28			70	B-21	1 6/21			
29	B-29	3 3/29	71					
30		3	72	A-20	1 5/20			
31	B-31	2 28/31	73					
32	A-16	2 13/16	74	C-37	1 8/37			
33	B-33	2 24/33	75	A-20	1 4/20			
34	A-17	2 11/17	76					
35	B-21	2 12/21	77					
36	A-20	2 10/20	78	C-39	1 6/39			
37	C-37	2 16/37	79					
38	A-19	2 7/19	80	A-16	1 2/16			
39	C-39	2 12/39	81	A-18	1 2/18			
40	A-20	2 15/20						
41	C-41	2 8/41						
42	B-21	2 3/21						

## DP -2 Voor HV 8, HV 10, HV 12, HV 14, HV 1 6

T	H	N	T	H	N	T	H	N
2		45	32	A-32	2 26/32	65	B-91	1 35/91
3		30	33	B-99	2 72/99	66	A-44	1 16/44
4	A-26	22 13/26	34	A-34	2 22/34	67	B-99	1 36/99
	A-28	22 14/28		A-28	2 16/28		B-67	1 23/67
5		18	35	B-63	2 36/63	68	A-34	1 11/34
6		15		A-26	2 13/26	69	A-46	1 14/46
7	A-28	12 24/28	36	A-28	2 14/28		70	B-69
	A-77	12 66/77		37	A-37	2 16/37		A-28
8	A-28	11 7/28	38	A-38	2 14/38	71	B-63	1 18/63
	A-44	11 11/44		39	A-26		2 8/26	B-71
9		10	40		B-91	2 28/91	72	A-32
10		9		A-28	2 7/28	A-44		1 11/44
11	A-44	8 8/44	41	A-44	2 11/44	73	B-73	1 17/73
	B-77	8 14/77		A-41	2 8/41		74	A-37
12	A-26	7 13/26	42	A-28	2 4/28	75	A-30	1 6/30
	A-28	7 14/28		B-63	2 9/63		76	A-38
13	A-29	6 24/26	43	A-43	2 4/43	77	B-77	1 13/77
	B-91	6 84/91		44	A-44		2 2/44	78
14	A-28	6 12/28	45			2	79	
	B-77	6 33/77		46	A-46	1 44/46		B-79
15		6	47		B-69	1 66/69	80	A-32
16	A-32	5 20/32		A-47	1 43/47	81		B-63
17	A-34	5 10/34	48	A-32	1 28/32		81	B-81
18		5		49	A-49	1 41/49		82
19	A-38	4 28/38	50		A-30	1 24/30	83	
20	A-26	4 13/26		51	A-34	1 26/34		84
	A-28	4 14/28	52		A-26	1 19/26	85	
21	A-28	4 8/28		53	A-53	1 37/53		86
	B-77	4 22/77	54		A-30	1 20/30	87	
22	A-44	4 4/44		55	B-63	1 42/63		88
	B-77	4 7/77	56		A-44	1 28/44	89	
23	A-46	3 42/46		57	B-77	1 49/77		90
	B-69	3 63/69	58		A-28	1 17/28	91	
24	A-28	3 21/28		59	B-38	1 22/38		92
	B-44	3 33/44	60		B-87	1 48/87	93	
25	A-30	3 18/30		61	A-59	1 31/59		94
	A-26	3 12/26	62		A-34	1 17/34	95	
26	B-91	3 42/91		63	A-32	1 16/32		96
	A-30	3 10/30	64		B-61	1 29/61	97	
27	B-63	3 21/63		65	B-93	1 42/93		98
	A-28	3 6/28	66		B-49	1 21/49	99	
28	B-87	3 9/87		67	B-77	1 33/77		100
29		3	68		A-32	1 13/32	100	
30				69	A-26	1 10/26		
31	B-93	2 84/93						

### Beschrijving van in de inhoudsopgave tafel.

Deze tafel is de een wezen berekend voor de inhoudsopgave bord met gat getoonde nummers onderstaand .

### Beschrijving \_ van codes gebruikt in de inhoudsopgave tafel

T: Gewenst individueel nummer r

N: Aantal f revoluties van de inhoudsopgave bord

: Keuze \_

A : Gebruik makend van A bord

B : Gebruik makend van B bord

### **Nummer van gaten**

#### **DP - 1**

Een bord 15, 16,17, 18,19,20

B Bord 21,23,27,29,31,33

CP laat 37,39,41,43,47,49

#### **DP - 2**

Een bord 26,28,  
30,32,34,37,38,39,41,43,44,46,47,49,51,53,57,59

B Bord 61,63,67,69,71,73,77,79,81,83,87,89,91,93,97,99

# ONDERDELEN LIJST

Model : HV-4-KP

1. Voornaamst lichaam \* 1
2. Hendel \* 2
3. Chuck moersleutel \* 1
4. Achteruit \_ kaken \* 1 set (3 stuks )
5. M10 \_ \* 40 T - bout \* 2
6. M10 noot \* 2
7. Instructies \* 1

Model : HV-4-4

1. Voornaamst lichaam \* 1
2. Hendel \* 2
3. M6 \* 55 bout \* 2
4. M6 noot \_ \* 2
5.  $\varnothing$  6 vlak pakking \* 2
6. Positionering \_ blok \* 2
7. Drukken bord \_ \* 2
- 8 . Kussen blok \* 2
9. Instructies \* 1
- 10 . A partitie bord \* 1
- 11 . B partitie bord \* 1
- 12 . C partitie bord \* 1
- 13 . Rocker hendel \* 1
- 14 . M 8 \* 70 hex stopcontact hendel schroef \* 1
- 15 . Divisie bord positionering regelaar \* 1
- 16 . Begrenzing blok \* 1
- 17 . Borgring \* 1
- 18 . M5 \* 10 Philips schroef \* 3

**Model : HV-4-4R**

- 1. Voornaamst lichaam \* 1**
- 2. Hendel \* 2**
- 3. M6 \* 55 bout \* 2**
- 4. M6 noot \_ \* 2**
- 5.  $\varnothing$  6 vlak pakking \* 2**
- 6. Positionering \_ blok \* 2**
- 7. Drukken bord \_ \* 2**
- 8 . Kussen blok \* 2**
- 9. Instructies \* 1**

**Model : HV-6-4B**

- 1 . A partitie bord \* 1**
- 2. B partitie bord \* 1**
- 3 . C partitie bord \* 1**
- 4 . Rocker hendel \* 1**
- 5. M 8 \* 70 hex stopcontact hendel schroef \* 1**
- 6. Divisie bord positionering regelaar \* 1**
- 7. Begrenzing blok \* 1**
- 8 . Borgring \* 1**
- 9. M5 \* 10 Philips schroef \* 3**
- 10. M5 \_ \* 10 hex stopcontact schroef \* 4**
- 11. Positionering \_ blok \* 4**
- 12. M 12 \* 40 T - bout \* 2**
- 13 . Noot \* 2**
- 14. Intern zeshoekig moersleutel \* 1**
- 1 5. Instructies \* 1**

**Model : HV-6-4**

1. Voornaamst lichaam \* 1
2. Rocker hendel \* 1
3. M 8 \* 7 0 hex stopcontact hendel schroef \* 1
- 4 . M5 \* 10 hex stopcontact schroef \* 4
5. Positionering blok \* 4
6. M12 \* 40 T-bout \* 2,
7. Noot \* 2
- 8 . Instructies \* 1

**Model : HV-8-4**

1. Voornaamst lichaam \* 1
- 2 . Hendel \* 2
3. Noot \* 2
4. M10 \_ \* 80 zeshoekig hendel bout \* 1
5. Positionering blok \* 4
6. M5 \_ \* 8 zeshoekig stopcontact bout \* 4
7. M 14 \* 60 T-bout \* 2
8. Intern zeshoekig moersleutel \* 1
9. Instructies \* 1

**Model : HV-8-3**

1. Voornaamst lichaam \* 1
2. Hendel \* 2
3. M 1 0 \* 80 hex stopcontact hendel schroef \* 1
4. Positionering \_ blok \* 4
5. M5 \* 8 h exagonaal stopcontact bout \* 4
6. M 14 \* 60 T - bout \* 2
7. Intern zeshoekig moersleutel \* 1
8. Noot \* 2
9. Instructies \* 1

**Adres:** Baoshanqu Shuangchenglu 803long 11hao 1602A-1609shi  
Shanghai

**Geïmporteerd naar AUS:** SIHAO PTY LTD . 1 ROKEVA  
STREETEASTWOOD NSW 2122 Australië

**Geïmporteerd naar de VS:** Sanven Technology Ltd. Suite 250 . 9166  
Anaheim Place, Rancho Cucamonga, CA 91730



SHUNSHUN GmbH  
Römeräcker 9 Z2021, 76351 Linkenheim-  
Hochstetten, Germany



Pooledas Group Ltd  
Unit 5 Albert Edward House, The  
Pavilions Preston, United Kingdom

**Gemaakt in China**



**VEVOR<sup>®</sup>**

**TOUGH TOOLS, HALF PRICE**

Technisch Steun En E - Garantie Certificaat  
[www.kracht.com/ondersteuning](http://www.kracht.com/ondersteuning)

# **VEVOR**<sup>®</sup>

**TOUGH TOOLS, HALF PRICE**

Teknisk support och e-garanticertifikat  
[www.vevor.com/support](http://www.vevor.com/support)

## **R OTARY TABELL**

**MODELL : HV-4-KP, HV-4-4, HV-4-4R,  
HV-6-4, HV-6-4B, HV-8-4 , HV-8-3**

We continue to be committed to provide you tools with competitive price. "Save Half", "Half Price" or any other similar expressions used by us only represents an estimate of savings you might benefit from buying certain tools with us compared to the major top brands and does not necessarily mean to cover all categories of tools offered by us. You are kindly reminded to verify carefully when you are placing an order with us if you are actually saving half in comparison with the top major brands.

MODELL : HV-4-KP, HV-4-4, HV-4-4R, HV-6-4, HV-6-4B, HV-8-4 HV-8-3



### BEHÖVER HJÄLP ? KONTAKT USA !

Ha produkt frågor ? Behöver teknisk Stöd ? Snälla du känna fri kontakta oss :

**Teknisk Stöd och E - Garanti Certifikat [www.vevor.se / support](http://www.vevor.se/support)**

Detta är de original instruktioner, läs alla manualer noggrant innan du använder den. VEVOR reserverar sig för en tydlig tolkning av vår användare manual . De utseende av de produkten ska vara föremål för produkten du mottagen. Förlåt oss att vi inte kommer att informera dig igen om det finns är några teknologi eller programvara uppdateringar på vår produkt .



- För att minska risken för skador måste användaren läsa instruktionerna manuellt försiktigt .

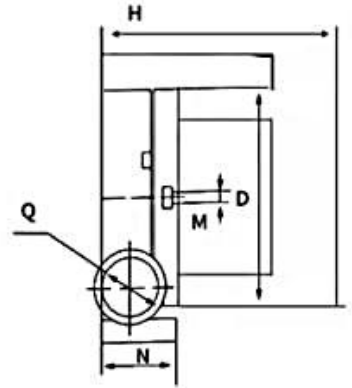
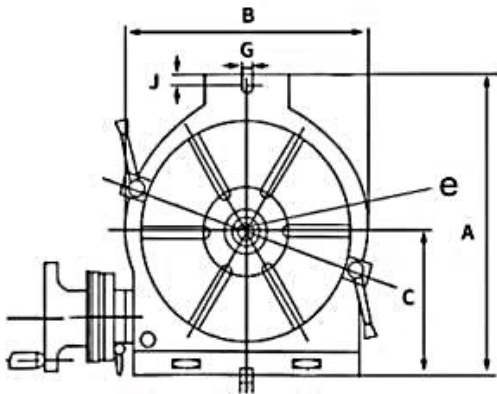


## PRECISION ROTARY TABLES

Två typer av roterande bord är sammanfattade här kollektivt .  
Mekanismerna allmänning till dessa tabeller visas på vissa sidor i  
deras beskrivning .


### HORISONTALT / VERTIKAL PRECISION ROTERANDE TABELL

Detta roterande tabell är designad för att tillåta det bearbetning  
operationer på en högre dimension än den för horisontella typ roterande  
bord s . Basen kan \_ vara Begagnade i a vertikal position \_ till Gör det  
möjligt Det till bära ut i mitten arbeta .



SPE CIFIKATIONER :

Enhet: mm/tum  
s

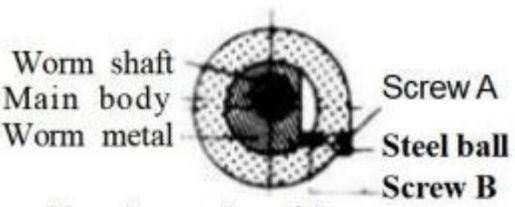
Horizontal/ Vertical Type	Model No.	Duter diameter	Height	Height	Worm Gear ratio	Center sleeve	Width of slots	Bolt slots
		D(inch/mm)	H(inch/mm)	C (inch/mm)	/	/	M(inch/mm)	G (inch/mm)
	HV-4-4R	4" 101.6mm	2.76" 70mm	3.35" 85mm	1:36	/	0.31" 8mm	/
	HV-4-KP	4" 101.6mm	4.72" 120mm	3.35" 85mm	1:36	/	/	/
	HV-4-4	4" 101.6mm	3.35" 85mm	3.35" 85mm	1:72	MT2	0.47" 12mm	0.55" 14mm
	HV-6-4B	6" 152.4mm	3.35" 85mm	3.94" 100mm	1:90	MT2	0.55" 14mm	0.63" 16mm
	HV-6-4	6" 152.4mm	3.35" 85mm	3.94" 100mm	1:90	MT2	0.55" 14mm	0.63" 16mm
	HV-8-4	8" 203.2mm	4.13" 105mm	5.31" 135mm	1:90	MT3	0.55" 14mm	0.63" 16mm
	HV-8-3	8" 203.2mm	4.13" 105mm	5.31" 135mm	1:90	MT3	0.55" 14mm	0.63" 16mm

Modell	HV - 3"	HV - 4"	HV - 5"
A	98	145	155
B	78	114	127
C	59	85,5	90
D	F 7 6,2	F110	F 1 27
E	12	12	12
G			
H	83	85	85
J			15
M	MT 2		MT 2
N	71	68	68

Worm shaft

Main body

Worm metal



Screw A

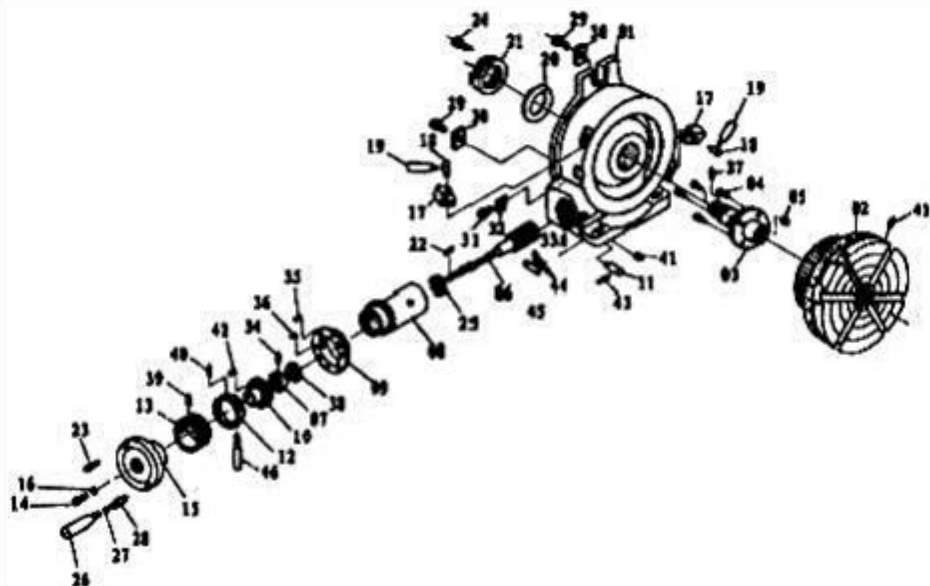
Steel ball

Screw B

Showing section A|B Fig.1

**1. Justering Maska av Mask Kuggghjul :** Lossa de metall klämman hantera och vänd \_ de växla metall medurs fram tills Det berör de propp . De mask redskap har nu varit urkopplad . Sväng Det moturs fram tills Det berör proppen , w ormen och redskap hjul kommer förlova sig . Spänna de metall klämhandtag efter engagemang . En ytterligare justering kan erhållas genom att ta bort de skruv ④ och stål kula och vrid den inre skruven ⑥ moturs , så att masken kommer i närmare ingrepp med kuggghjulet hjul . Vändning medurs ger de mask bort från hjulet. Efter justering Föra in de stål kula och dra åt skruven ④

**2.Axia I Justering av Mask Skaft :** När axial slak inträffar växeljustering är bärs ut förbi åtstramning den inre muttern på snäckaxeln efter att handtaget, nockringen och brytarmetallen har tagits bort. Efter justering . lås muttern på axeln förbi betyder av de uppsättning skruv . ( Den ERT -6 har en justering mutter , som burk vara används efter att handtaget tagits bort.)



## PARTS LIST For HV6,HV8,HV10,HV12,HV14,HV16

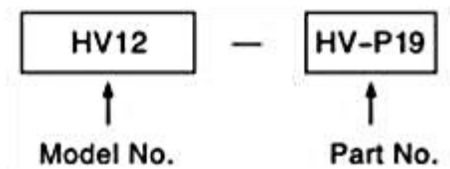
Part No.	Description	Part No.	Description
HV-P01	Main body	HV-P24	Hex.socket cap screw
HV-P02	Table	HV-P25	Bearing thrust collar
HV-P03	Table sleeve	HV-P26	Handle
HV-P04	Hex.socket cap screw	HV-P27	Circlips
HV-P05	Oil cup	HV-P28	Screw rod
HV-P06	Worm rod	HV-P29	Hex.socket cap screw
HV-p07	Lock nuts	HV-P30	Guide key
HV-P08	Worm metal	HV-P31	Hex.socket cap screw
HV-P09	Adjusting dial	HV-P32	Limit Plate
HV-P10	Adjusting dial	HV-P33	Set screw
HV-P11	Metal setting screw	HV-P34	Set screw
HV-P12	Vernier ring	HV-P35	Hex.socket cap screw
HV-P13	Micro-collar	HV-P36	Set screw
HV-P14	Hex.Socket cap screw	HV-P37	Pin
HV-P15	Handle wheel	HV-P38	Bearing thrust collar
HV-P16	Washer	HV-P39	Collar set screw
HV-P17	Clamp piece	HV-P40	Collar set screw
HV-P18	Clamp bolt	HV-P41	Oil cup
HV-P19	Clamp handle	HV-P42	Hex.socket cap screw
HV-P20	Ring	HV-P43	Lock handle
HV-P21	Lock nuts	HV-P44	Rivets
HV-P22	Key	HV-P45	Plate
HV-P23	Handle	HV-P46	Handle

## Drift \_ Instruktion och Fungera av Varje Enhet

1. Den snäckväxel är 1:90.
  - ett tum av de hantera rör sig de tabell med 4 °
  - Micro - krage är tog examen i steg på 1 min .
  - Nonieskala skala gör inställningar ner till 10 sekunder möjligt . (20 sekunders ds för ( HV 6)
2. Dela av 2 till 100 kan utföras snabbt och exakt genom att fästa a Dela Mekanism .
3. Center arbete burk också vara bärs ut genom att använda basen i vertikalt läge i kombination med en ändstock.(Se sidan 4.)

### \* Förslag för Beställa

När beställning delar för byte , ange Modell Nej . och Del Nej .

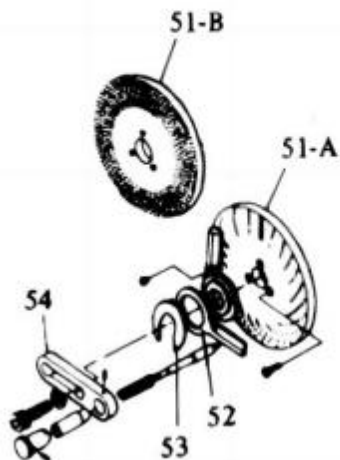


## OPTIONAL ACCESSORIES DIVIDING PLATES

### Dividing Mechanism



Dividing Plate set includes index plate, crank handle, 3 pcs screw, sector, & U-washer



### RT med Delning Tallrik

### SP ECFIKATIONER FÖR DELANDE PLATTOR Enhet : mm / tum \_

MODEL L _ NEJ _	Större dimension jon av DM				W ätta kg / lb	Tillämplig tabell	
	Delningsplatta e ställskruv _	Inre diameter av sektor am	Fjädem s ytterdiamet er klämma	Grove med dth i handtaget p sent			
DP - 1	PCD.(32/1,26) F	21 0.83	18 0.71	9 0.03	25 5.51	MINI (HV3H V 4/ HV 5)	P 7 P 9 P 10
DP -2	(3 hål) PCD . 46/1,81	28.7 1.12	44 1,73 _	10 0,39	4 8.82	HV6 HV8,10, 12, 14,16	P 7 P 9 P 10

## I fall av En Frivillig DM Enhet \_ Bifogad

Indexering på 2 till 100 burkar vara gjord exakt och snabbt.

### Ekvation av Index ing

Eftersom de mask förhållande är 1:90, när handtaget är gjort att rotera ett varv  $360^\circ$ , tabell därför kommer rotera en  $1/90$  varv. Relationerna mellan hantera varv ' N ' och individuellt nummer ' T ' till vara eftersträvas är visad i följande ekvation:

$$N = \frac{90}{T}$$

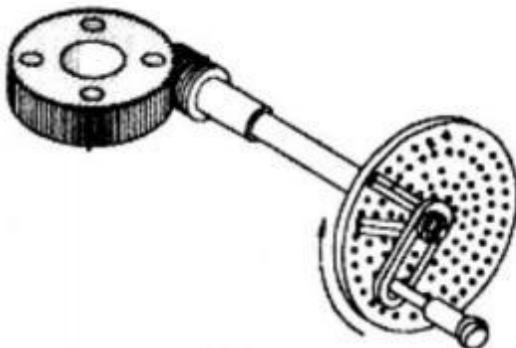
Anmärkningar : The indextabellen på sidan 6 är gjord på basis av denna ekvation.

### ( Exempel )

I fall där de operatör vill ha till index de placera dividerat till 29 lika delar .

Tips på drift Som för 29 personer siffror , den siffra

av vev hantera varv ( N ) är  $3 \frac{9}{87}$  som visad i de tabell på Sida 6, alltså den där de hantera ska roteras ett helt varv  $360^\circ$  plus tre gånger en intervall av nio hål ( in detta tid , det betyder hålintervall inte hålnummer) . Efter miljö detta punkt som a Start peka , vrid handtaget ett helt varv  $360^\circ$  tre gånger plus en intervall av nio hål ( in detta tid betyder det hål intervaller inte hål tal ). Efter att ha ställt in denna punkt som startpunkt , rotera handtaget ett helt  $360^\circ$  varv tre gånger plus ett intervall på nio hål . När de procedur är upprepas i tur och ordning så många som 29 gånger, indexeringen av delning till 29 lika delar uppnås således.



Operationer \_ av Vev Hantera och Sektor

Om \_ av de Exempel ' Division till 29 lika Delar ' ovannämnda , det är naturligt att indexeringsoperationen fortsätter med de intervaller av nio hål efter inställning de index tallrik ( B plåt ) på som a rad med 87 hål är försedda . Men i denna metod måste operatören räkna nio håls intervall ett förbi ett . han måste kännas ineffektivt. I denna synvinkel är det nödvändigt att använda en enhet som kallas "sektor" för att undvika id sådan besvärlig förfaranden . De följande testamenten beskriva några nödvändiga förfaranden för driften av sektorn.

a . Lossa de vev hantera låsa mutter , justera dess längd så som till orsak de index stift till falla in de tåg av 87 hål , och spänna Det .

b . Lossa de set - skruvar av de sektor . öppna två vapen i överensstämmelse med de intervall av nio hål ( totalt tal av hål är tio ) , och spänna med ställskruvar .

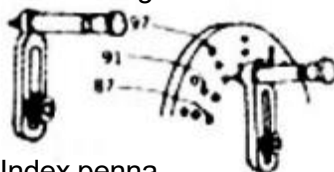
c . Först , ta med de vänster ärm av de sektor nära de index stift \_ \_ vänster sida .

d . Nästa , rotera de vev hantera medurs att ansöka Det till de höger ärm av de sektor så Att den index stift kommer falla i de hål belägen vid denna höger armar \_ \_ vänster sida yta .

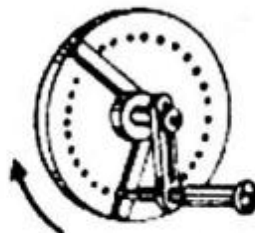
e . Roterar de sektor medurs detta tid och lägg de höger sida yta av de vänster ärm till vänster sida av de index stift . I detta tid , relationerna mellan de index stift och sektorns \_ \_ vänster ärm i deras positioner är det samma som i Par . c ) .

De index tallrik hål den där faktiskt rymmer de index stift är belägen vid punkt var Det går tvärs över tio hål till höger bort från de hål som i par . c ) c . f . Upprepa de samma förfaranden som nödvändigt .

Vevhandtag e



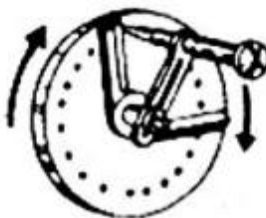
Index penna



Fikon  
5



Fikon  
6



F ig 7

Fikon  
8

**Index Tabell ( För mask förhållande 1:90 ) DP-1 För  
HV6/MINI(HV3/HV4/HV5)**

T	H	N	T	H	N	T	H	N
1			43		2 4/43	82	C-41	1 4/11
2		45	44	C-43		83		
3		30	45		2	84		
4	A-20	22 10/20	46	B-23	1 22/23	85		
5		18	47	C-47	1 43/47	86	C-43	1 2/43
6		15	48	A-16	1 14/16	87	B-29	1 1/29
7	B-21	12 8/21	49	C-49	1 41/49	88		
8	A-20	11 5/20	50	A-20	1 16/20	89		
9		10	51			90		
10		9	52			91		
11	B-33	8 6/33	53			92		
12	A-20	7 10/20	54	A-18	1 12/18	93	B-31	30/31
13	C-39	6 30/39	55	B-33	1 21/33	94	C-47	45/47
14	B-21	6 9/21	56			95	A-19	18/19
15		6	57	A-19	1 11/19	96	A-16	15/16
16	A-16	5 10/16	58	B-29	1 16/29	97		
17	A-17	5 5/17	59			98	C-49	45/49
18		5	60	A-20	1 1/20	99	B-33	30/33
19	A-19	4 14/19	61			100	A-20	18/20
20	A-20	4 10/20	62	B-31	1 14/31			
21	B-21	4 6/21	63	B-21	1 9/21			
22	B-33	4 3/33	64					
23	B-23	3 21/23	65	C-39	1 15/39			
24	A-20	3 15/20	66	B-33	1 12/33			
25	A-20	3 12/20	67					
26	C-39	3 18/39	68					
27	A-18	3 6/18	69	B-23	1 7/23			
28			70	B-21	1 6/21			
29	B-29	3 3/29	71					
30		3	72	A-20	1 5/20			
31	B-31	2 28/31	73					
32	A-16	2 13/16	74	C-37	1 8/37			
33	B-33	2 24/33	75	A-20	1 4/20			
34	A-17	2 11/17	76					
35	B-21	2 12/21	77					
36	A-20	2 10/20	78	C-39	1 6/39			
37	C-37	2 16/37	79					
38	A-19	2 7/19	80	A-16	1 2/16			
39	C-39	2 12/39	81	A-18	1 2/18			
40	A-20	2 15/20						
41	C-41	2 8/41						
42	B-21	2 3/21						

## DP -2 För HV 8, HV 10, HV 12, HV 14, HV 1 6

T	H	N	T	H	N	T	H	N
2		45	32	A-32	2 26/32	65	B-91	1 35/91
3		30	33	B-99	2 72/99	66	A-44	1 16/44
4	A-26	22 13/26	34	A-34	2 22/34	67	B-99	1 36/99
	A-28	22 14/28		A-28	2 16/28		B-67	1 23/67
5		18	35	B-63	2 36/63	68	A-34	1 11/34
6		15		A-26	2 13/26	69	A-46	1 14/46
7	A-28	12 24/28	36	A-28	2 14/28		70	B-69
	A-77	12 66/77		37	A-37	2 16/37		A-28
8	A-28	11 7/28	38	A-38	2 14/38	71	B-63	1 18/63
	A-44	11 11/44		39	A-26		2 8/26	B-71
9		10	40		B-91	2 28/91	72	A-32
10		9		A-28	2 7/28	A-44		1 11/44
11	A-44	8 8/44	41	A-44	2 11/44	73	B-73	1 17/73
	B-77	8 14/77		A-41	2 8/41		74	A-37
12	A-26	7 13/26	42	A-28	2 4/28	75	A-30	1 6/30
	A-28	7 14/28		B-63	2 9/63		76	A-38
13	A-29	6 24/26	43	A-43	2 4/43	77	B-77	1 13/77
	B-91	6 84/91		44	A-44		2 2/44	78
14	A-28	6 12/28	45			2	79	
	B-77	6 33/77		46	A-46	1 44/46		B-79
15		6	47		B-69	1 66/69	80	A-32
16	A-32	5 20/32		A-47	1 43/47	81		B-63
17	A-34	5 10/34	48	A-32	1 28/32		81	B-81
18		5		49	A-49	1 41/49		82
19	A-38	4 28/38	50	A-30	1 24/30	83	B-83	
20	A-26	4 13/26		51	A-34		1 26/34	84
	A-28	4 14/28	52		A-26	1 19/26	85	
21	A-28	4 8/28	53	A-53	1 37/53	86		A-43
	B-77	4 22/77		54	A-30		1 20/30	87
22	A-44	4 4/44	55		B-63	1 42/63	88	A-44
	B-77	4 7/77		A-44	1 28/44	89		B-89
23	A-46	3 42/46	56	B-77	1 49/77		90	
	B-69	3 63/69		A-28	1 17/28	91		B-91
24	A-28	3 21/28	57	B-38	1 22/38		92	A-46
	B-44	3 33/44		58	B-87	1 48/87		93
25	A-30	3 18/30	59	A-59	1 31/59	94	A-47	
	A-26	3 12/26		60	A-34		1 17/34	95
26	B-91	3 42/91	61		A-32	1 16/32	96	
	A-30	3 10/30		B-61	1 29/61	97		B-97
27	B-63	3 21/63	62	B-93	1 42/93		98	A-49
	A-28	3 6/28		63	B-49	1 21/49		99
28	B-87	3 9/87	64		B-77	1 33/77	100	
29		3		A-32	1 13/32	100		A-30
30		3	65	A-26	1 10/26			
31	B-93	2 84/93						

### Beskrivning av i de index tabell.

Det här bordet är inte han ett varelse beräknad för de index tallrik med hål siffror visas Nedan .

### Beskrivning på av koder Begagnade i de index tabell

T: Önskat individuellt nummer r

N: Antal f revolutioner av de index tallrik

:O p tion

A : Använder sig av A tallrik

B : Använder sig av B tallrik

### **siffr av hå**

#### **DP - 1**

En tallrik 15, 16,17, 18,19,20

B Tallrik 21,23,27,29,31,33

CP sent 37,39,41,43,47,49

#### **DP - 2**

En tallrik 26,28,  
30,32,34,37,38,39,41,43,44,46,47,49,51,53,57,59

B Tallrik 61,63,67,69,71,73,77,79,81,83,87,89,91,93,97,99

# DELLISTA

Modell : HV-4-KP

1. Main kropp \* 1
2. Hantera \* 2
3. kasta rycka \* 1
4. Omvänd \_ käftar \* 1 uppsättning (3 st)
5. M 10 \* 40 T - bult \* 2
6. M10 nöt \* 2
7. Instruktioner \* 1

Modell : HV-4-4

1. Main kropp \* 1
2. Hantera \* 2
3. M6 \* 55 bult \* 2
4. M6 nöt \_ \* 2
5.  $\varnothing$  6 platt packning \* 2
6. Positionering \_ blockera \* 2
7. Brådskande p sent \* 2
- 8 . Prydnadskudde blockera \* 2
9. Instruktioner \* 1
- 10 . A dela styrelse \* 1
- 11 . B dela styrelse \* 1
- 12 . C dela styrelse \* 1
- 13 . Rocker hantera \* 1
- 14 . M 8 \* 70 hex uttag hantera skruva \* 1
- 15 . Division tallrik positionering regulator \* 1
- 16 . Begränsa blockera \* 1
- 17 . Låsring \* 1
- 18 . M5 \* 10 Phillips skruva \* 3

**Modell : HV-4-4R**

- 1. Main kropp \* 1**
- 2. Hantera \* 2**
- 3. M6 \* 55 bult \* 2**
- 4. M6 nöt \_ \* 2**
- 5.  $\varnothing$  6 platt packning \* 2**
- 6. Positionering \_ blockera \* 2**
- 7. Brådskande p sent \* 2**
- 8 . Prydnadskudde blockera \* 2**
- 9. Instruktioner \* 1**

**Modell : HV-6-4B**

- 1 . A dela styrelse \* 1**
- 2. B dela styrelse \* 1**
- 3 . C dela styrelse \* 1**
- 4 . Rocker hantera \* 1**
- 5. M 8 \* 70 hex uttag hantera skruva \* 1**
- 6. Division tallrik positionering regulator \* 1**
- 7. Begränsa blockera \* 1**
- 8 . Låsring \* 1**
- 9. M5 \* 10 Phillips skruva \* 3**
- 10. M 5 \* 10 hex uttag skruva \* 4**
- 11. Positionering \_ blockera \* 4**
- 12. M 12 \* 40 T - bult \* 2**
- 13 . Nöt \* 2**
- 14. Inre hexagonal rycka \* 1**
- 1 5. Instruktioner \* 1**

**Modell : HV-6-4**

1. Main kropp \* 1
2. Rocker hantera \* 1
3. M 8 \* 7 0 hex uttag hantera skruva \* 1
- 4 . M5 \* 10 hex uttag skruva \* 4
5. Positionering blockera \* 4
6. M12 \* 40 T-bult \* 2,
7. Nöt \* 2
- 8 . Instruktioner \* 1

**Modell : HV-8-4**

1. Main kropp \* 1
- 2 . Hantera \* 2
3. Nöt \* 2
4. M 10 \* 80 hexagonal hantera bult \* 1
5. Positionering blockera \* 4
6. M 5 \* 8 hexagonal uttag bult \* 4
7. M 14 \* 60 T-bult \* 2
8. Inre hexagonal rycka \* 1
9. Instruktioner \* 1

**Modell : HV-8-3**

1. Main kropp \* 1
2. Hantera \* 2
3. M 1 0 \* 80 hex uttag hantera skruva \* 1
4. Positionering \_ blockera \* 4
5. M5 \* 8 h exagonal uttag bult \* 4
6. M 14 \* 60 T - bult \* 2
7. Inre hexagonal rycka \* 1
8. Nöt \* 2
9. Instruktioner \* 1

**Adress:** Baoshanqu Shuangchenglu 803long 11hao 1602A-1609shi  
Shanghai

**Importerad till AUS:** SIHAO PTY LTD . 1 ROKEVA  
STREETEASTWOOD NSW 2122 Australien

**Importerad till USA:** Sanven Technology Ltd. Svit 250 . 9166 Anaheim  
Place, Rancho Cucamonga, CA 91730

<b>EC</b>	<b>REP</b>
-----------	------------

SHUNSHUN GmbH  
Römeräcker 9 Z2021, 76351 Linkenheim-  
Hochstetten, Germany

<b>UK</b>	<b>REP</b>
-----------	------------

Pooledas Group Ltd  
Unit 5 Albert Edward House, The  
Pavilions Preston, United Kingdom

**Tillverkad i Kina**



**VEVOR<sup>®</sup>**

**TOUGH TOOLS, HALF PRICE**

**Teknisk Stöd och E - Garanti Certifikat**  
**[www.vevor.se / support](http://www.vevor.se/support)**