

Save This Manual
For Future Reference

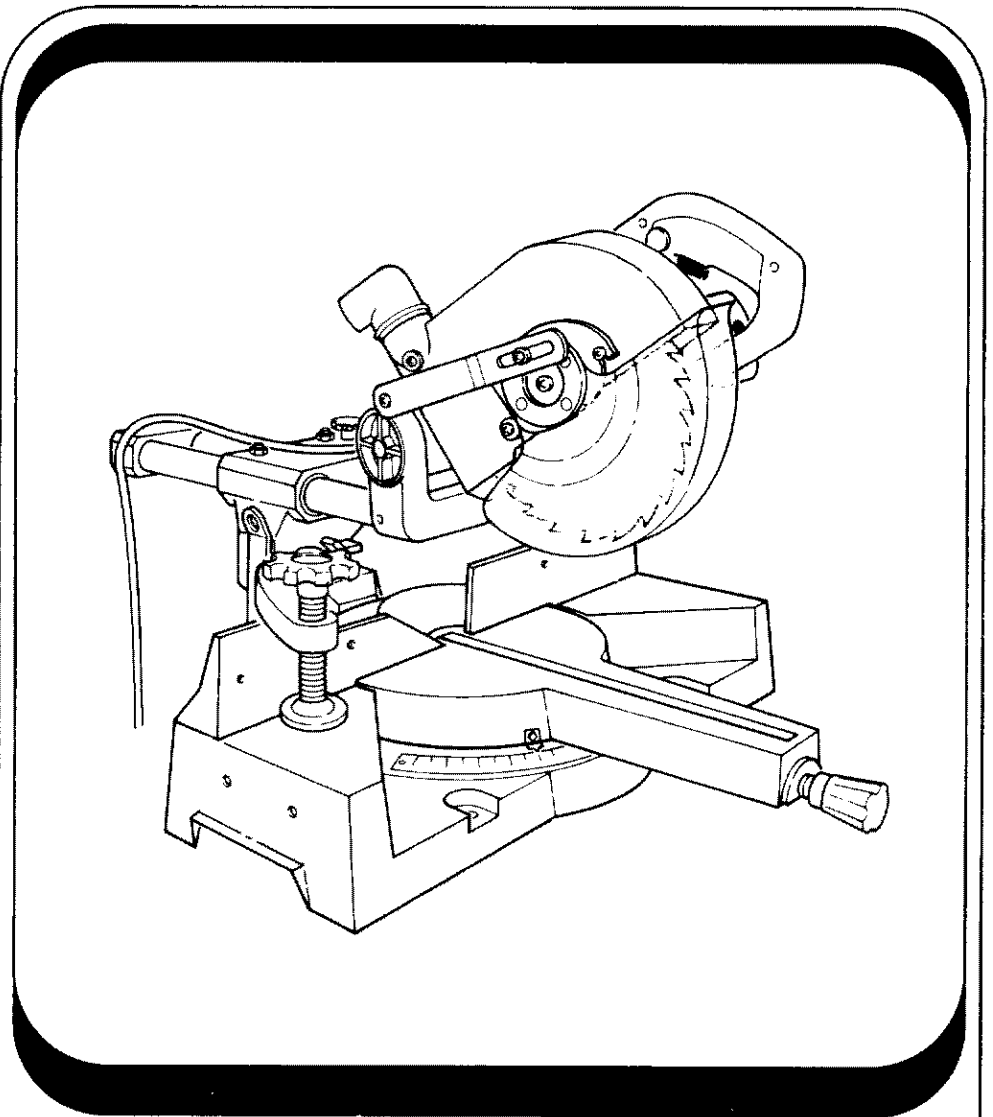
SEARS
owners
manual

MODEL NO.
113.234880
8-1/4 INCH
SLIDE COMPOUND
MITER SAW

Serial
Number _____
Model and serial numbers
may be found on the
base.
You should record both
model and serial number in
a safe place for future use.

**FOR YOUR
SAFETY:**

**READ ALL
INSTRUCTIONS
CAREFULLY**



SEARS / CRAFTSMAN

**8-1/4 INCH SLIDE
COMPOUND MITER SAW**

- assembly
- operating
- repair parts

Sold by SEARS, ROEBUCK AND CO., Chicago, IL 60684 U.S.A.

Part No. SP5524

Printed in Taiwan

FULL ONE YEAR WARRANTY ON CRAFTSMAN SLIDE COMPOUND MITER SAW

If within one year from the date of purchase, this Craftsman Slide Compound Miter Saw fails due to a defect in material or workmanship, Sears will repair it, free of charge.

WARRANTY SERVICE IS AVAILABLE BY SIMPLY CONTACTING THE NEAREST SEARS SERVICE CENTER/DEPARTMENT THROUGHOUT THE UNITED STATES.

This warranty applies only while this product is used in the United States.

This warranty gives you specific legal rights, and you may also have other rights which vary from state to state.

SEARS, ROEBUCK AND CO., D/817 WA Hoffman Estates, IL 60195

Safety Instruction for Slide Compound Miter Saw

Safety is a combination of common sense, staying alert and knowing how your slide compound miter saw works. Read this manual to understand this saw.

SAFETY SIGNAL WORDS

⚠ DANGER: means if the safety information is not followed someone **will** be seriously injured or killed.

⚠ WARNING: means if the safety information is not followed someone **could** be seriously injured or killed.

⚠ CAUTION: means if the safety information is not followed someone **might** be injured.

BEFORE USING THE SLIDE COMPOUND MITER SAW:

WARNING: To avoid mistakes that could cause serious, permanent injury, do not plug the saw in until the following steps are completed.

• Assembly and alignment. (See pages 9–13).

• Learn the use and function of:

- (a) the ON-OFF switch,
- (b) upper and lower blade guards,
- (c) handle latch,
- (d) bevel lock handle,
- (e) cover plate screw,
- (f) depth adjustment bolt,
- (g) carriage lock knob,
- (h) miter lock handle, and
- (i) saw handle.

• Review and understand all safety instructions and operating procedures in this manual.

• Review the maintenance methods for this slide compound miter saw. (See page 21)

Read the following DANGER and WARNING labels found on the slide compound miter saw:




⚠ WARNING

1. Read the Manual before using this saw.	6. Do not perform any operation freehand.
2. Wear safety goggles that meet ANSI Z87.1 Standards.	7. Do not reach around or behind saw blade.
3. Tighten arbor screw and all clamps before sawing.	8. Unplug saw before changing blade or servicing.
4. Do not operate this saw without guards in place.	9. Release trigger and wait for blade to stop before moving workpiece or changing set-up.
5. Keep hands away from the moving blade.	10. To avoid electric shock, do not expose to rain.

DOUBLE INSULATED. When servicing use only identical replacement parts.

Electrical: 120 volts
60 Hz AC only.
10 amps
5000 RPM



WHEN INSTALLING OR MOVING THE SLIDE COMPOUND MITER SAW.

Before moving the saw:

- Lock the miter, bevel, and carriage lock knobs.
- Unplug the power cord.

• Get help. This saw weighs 70 pounds. To avoid back injury, get help whenever you need to lift it.

NEVER carry the saw by the cord or power head handle. The handle could break suddenly. Damage to insulation could cause an electric shock. Damage to wire connections could cause a fire.

AVOID DANGEROUS ENVIRONMENT. Use the slide compound miter saw in a dry, indoor place protected from rain. Keep work area well lighted.

Place the slide compound miter saw so neither the user or bystanders are forced to stand in line with the blade. Thrown debris could injure people in its path.

To avoid injury from unexpected saw movement:

- Put the slide compound miter saw on a firm level surface where there is plenty of room for handling and properly supporting the workpiece.
- Support the slide compound miter saw so the table is level and the saw does not rock.
- Bolt or clamp the saw to its support.
- **NEVER STAND ON TOOL.** Serious injury could occur if the tool tips or you accidentally hit the cutting tool. Do not store anything above or near the tool where anyone might stand on the tool to reach them.

To avoid injury or death from electrical shock:

- **THIS TOOL IS DOUBLE INSULATED** to give you added protection. Double insulation does not take the place of normal safety precautions when operating this tool. When servicing this double insulated tool, use only identical parts.
- Make sure your fingers do not touch the plug's metal prongs when plugging or unplugging the slide compound miter saw.

BEFORE EACH USE:

Inspect your slide compound miter saw.

DISCONNECT THE SAW. To avoid injury from accidental starting, unplug the saw, before changing the setup, changing the blade or adjusting anything.

Compare the direction of rotation arrow on the guard to the direction arrow on the blade. The blade teeth should always point downward at the front of the saw.

Tighten the arbor screw.

Tighten the cover plate stop screw.

CHECK DAMAGED PARTS. Check for:

- Alignment of moving parts,
- Damaged electric cords.
- Binding of moving parts,
- Broken parts,
- Stable mounting,
- Function of arm return spring and lower guard: Push the arm all the way down, then let it rise up until it stops by itself. Check the lower guard to see if it closed fully. If it did not, follow the instructions in the Trouble Shooting section.
- Smooth, solid movement of sliding assembly.
- Other conditions that may affect the way the slide compound miter saw works.

KEEP GUARDS IN PLACE, in working order, and in proper adjustment.

If any part is missing, bent, or broken in any way, or any electrical parts don't work, turn the saw off and unplug it. **REPLACE** damaged, missing, or failed parts before using the saw again.

MAINTAIN TOOLS WITH CARE. Keep the slide compound miter saw clean for best and safest performance. Follow instructions for lubricating. **DON'T** put lubricants on the blade while it's spinning.

REMOVE ADJUSTING KEYS AND WRENCHES from tool before turning it on.

To avoid injury from jams, slips or thrown pieces:

- Choose the right 8-1/4 inch diameter blade for the material and the type of cutting you plan to do.
- Make sure the blade is sharp, undamaged and properly aligned. With the saw unplugged, push the power-head all the way down and back. Hand spin the blade and check for clearance. Tilt the power-head to 45 degree bevel and repeat the check. If the blade hits anything, make the adjustments shown in the Assembly and Alignment section. (page 9)
- Make sure the blade and arbor collars are clean.
- Make sure the arbor collars' recessed sides are facing the blade.
- Using the provided arbor wrench or other 1/2" wrench, make sure the arbor cap screw is firmly hand tightened.
- Make sure all clamps and locks are tight and no parts have excessive play.
- **KEEP WORK AREA CLEAN.** Cluttered areas and benches invite accidents. Floor must not be slippery.

To avoid burns or other fire damage, never use the slide compound miter saw near flammable liquids, vapors or gasses.

Plan ahead to protect your eyes, hands, face, ears.

KNOW YOUR SLIDE COMPOUND MITER SAW. Read and understand the owner's manual and labels affixed to the tool. Learn its application and limitations as well as the specific potential hazards peculiar to this tool.

To avoid injury from accidental contact with moving parts, don't do layout, assembly, or setup work on the slide compound miter saw while any parts are moving.

AVOID ACCIDENTAL STARTING. Make sure switch is "OFF" before plugging slide compound miter saw into a power outlet.

Plan your work.

USE THE RIGHT TOOL. Don't force tool or attachment to do a job it was not designed to do. Use a different tool for any workpiece that can't be held in a solidly braced, fixed position.

CAUTION: This machine is not designed for cutting metals. Use this slide compound miter saw to cut only wood, and wood like products. Other materials may shatter, bind on the blade, start fires or create other dangers.

Dress for safety.



Any power slide compound miter saw can throw foreign objects into the eyes. This can cause permanent eye damage. Wear safety goggles (not glasses) that comply with ANSI Z87.1 (shown on package). Everyday eyeglasses have only impact resistant lenses. They are not safety glasses. Safety goggles are available at Sears retail catalog stores. Glasses or goggles not in compliance with ANSI Z87.1 could seriously hurt you when they break.

- Do not wear loose clothing, gloves, neckties or jewelry (rings, wrist watches). They can get caught and draw you into moving parts.
- Wear nonslip footwear.
- Tie back long hair.
- Roll long sleeves above the elbow.
- Noise levels vary widely. To avoid possible hearing damage, wear ear plugs or muffs when using slide compound miter saw for hours at a time.
- For dusty operations wear a dust mask along with the safety goggles.

Inspect your workpiece.

Make sure there are no nails or foreign objects in the part of the workpiece to be cut.

Plan your work to avoid the spinning blade and keep the workpiece from binding on the blade and flying out of your hands:

Plan how you will make the cut. Always:

- Make sure the blade is not spinning.
- Raise the blade.
- Slide the saw out above the front edge of the workpiece before starting it, and
- Push the saw blade down on top of the wood and then away from you to make the cut.

DANGER: NEVER pull the saw toward you during a cut. The blade can suddenly climb up on top of the workpiece and force itself toward you.

Plan the way you will hold the workpiece from start to finish:

Avoid awkward operations and hand positions where a sudden slip could cause fingers or hand to move into the blade.

DON'T OVERREACH. Keep good footing and balance.

Never reach behind or beneath the saw blade.

Keep your face and body to one side, out of line with a possible throwback.

Never cut **FREEHAND**:

- Brace your workpiece solidly against the fence and table top so it will not rock or twist during the cut.
- Make sure there's no debris between the workpiece and its supports.
- Make sure no gaps between the workpiece, fence and table will let the workpiece shift after it is cut in two.
- Never cut more than one workpiece at a time.
- Keep the cut off piece free to move sideways after it's cut off. Otherwise, it could get wedged against the blade and thrown violently.
- Clear everything except the workpiece and related support devices off the table before turning the slide compound miter saw on.
- **SECURE WORK.** Use clamps or a vise to help hold the work when it's practical.

Use extra caution with large, very small or awkward workpieces:

- Use extra supports (tables, saw horses, blocks, etc.) for any workpieces large enough to tip when not held down to the table top.
- **NEVER** use another person as a substitute for a table extension, or as additional support for a workpiece.
- Do not use this saw to cut pieces too small to let you easily hold the work while you keep the thumb side of your index (pointer) finger against the outside edge of the fence.
- When cutting irregularly shaped workpieces, plan your work support so it will not slip, pinch the blade and be torn from your grasp. A piece of molding, for example, must be flat or be held by a fixture or jig that will not let it twist, rock or slip while being cut.
- Properly support round material such as dowel rods. They have a tendency to roll while being cut, causing the blade to "bite". To avoid this, always use a fixture designed to properly hold your workpiece.

WHENEVER SAW BLADE IS SPINNING.

WARNING: Don't let familiarity (gained from frequent use of your slide compound miter saw) cause a careless mistake. A careless fraction of a second is enough to cause a severe injury.

Before starting your cut, watch the slide compound miter saw while it runs. If it makes an unfamiliar noise or vibrates a lot, stop immediately. Turn the slide compound miter saw off. Unplug the slide compound miter saw. Do not restart until finding and correcting the problem.

KEEP CHILDREN AWAY. Keep all visitors a safe distance from the slide compound miter saw. Make sure bystanders are clear of the slide compound miter saw and workpiece.

Never confine the piece being cut off. Never hold it, clamp it, touch it, or use length stops against it while the blade is spinning. It must be free to move sideways on its own. If confined, it could get wedged against the blade and thrown violently.

Let the blade reach full speed before cutting.

DON'T FORCE TOOL. It will do the job better and safer at its designed rate. Feed the blade into the workpiece only fast enough to let it cut without bogging down or binding.

Before freeing any jammed material:

- Turn switch "OFF"
- Unplug the slide compound miter saw.
- Wait for all moving parts to stop.

After finishing a cut:

- Keep holding the power head down,
- Release the switch, and wait for all moving parts to stop before moving your hands.
- If blade doesn't stop within 6 seconds, unplug the saw and follow the instructions in the Trouble Shooting section for fixing the blade brake before using the saw again.

BEFORE LEAVING THE SAW:

NEVER LEAVE TOOL RUNNING UNATTENDED. Turn power off. Wait for all moving parts to stop.

Make workshop child-proof. Lock the shop. Disconnect master switches. Store tool away from children and others not qualified to use it.

glossary of terms for woodworking

Arbor

The shaft on which a cutting tool is mounted.

Bevel Cut

An angle cutting operation made through the face of the workpiece.

Compound Cut

A simultaneous bevel and miter cutting operation.

Crosscut

A cutting operation made across the width of the workpiece.

Freehand

Performing a cut without the use of fence (guide), hold down or other proper device to prevent the workpiece from twisting during the cutting operation. Twisting of the workpiece can cause it to be thrown.

Gum

A sticky sap based residue from wood products.

Heel

Misalignment of the blade

Kerf

The amount of material removed by the blade in a through cut or the slot produced by the blade in a non-through or partial cut.

Miter Cut

An angle cutting operation made across the width of the workpiece.

Resin

A sticky, sap based substance that has hardened.

Revolutions Per Minute (RPM)

The number of turns completed by a spinning object in one minute.

Sawblade Path

The area of the workpiece or table top directly in line with either the travel of the blade or the part of the workpiece which will be, or has been, cut by the blade.

Set

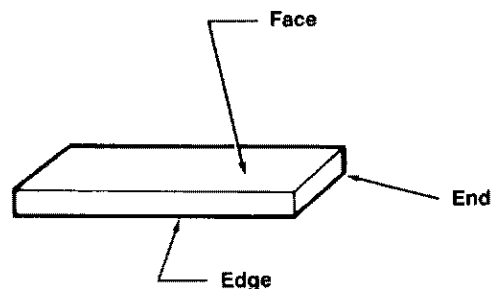
The distance that the tip of the sawblade tooth is bent (or set) outward from the face of the blade.

Dado

A non-through cut which produces a square sided notch or trough in the workpiece.

Workpiece

The item on which the cutting operation is being performed. The surfaces of a workpiece are commonly referred to as faces, ends, and edges.



electrical connections

POWER SUPPLY

Motor Specifications

The AC motor used in this saw is a universal, nonreversible type having the following specifications:

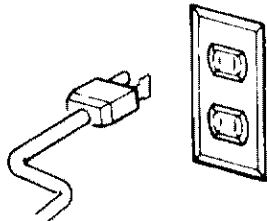
Maximum Developed H.P	2
Voltage	120
Amperes	10
Hertz (Cycles)	60
Phase	Single
RPM	5000
Rotation of Shaft	Clockwise
Brake	Automatic

WARNING: To avoid electrical hazards, fire hazards, or damage, or damage to the tool, use proper circuit protection. Your saw is wired at the factory for 120v operation. Connect to a 120v, 15-amp branch circuit and use a 15-amp time delay fuse or circuit breaker. To avoid shock or fire, if power cord is worn or cut, or damaged in any way, have it replaced immediately.

DOUBLE INSULATED

The slide compound miter saw is intended for residential use only. It is double insulated to provide a double thickness of insulation between you and the tool's electrical system. All exposed metal parts are isolated from the internal metal motor components with protecting insulation.

Your unit has a plug that looks like the one shown below..



WARNING: To reduce the risk of electrical shock, this appliance has a polarized plug (one blade is wider than the other). This plug will fit in a polarized outlet only one way, if the plug does not fit fully in the outlet, reverse plug. If it still does not fit, contact a qualified electrician to install the proper outlet. Do not change the plug in any way.

WARNING: Double insulation does not take the place of normal safety precautions when operating this tool.

DANGER: To avoid electrocution:

1. Use only identical replacement parts when servicing a tool with double insulation. Servicing should be performed by a qualified service technician.
2. Do not use in rain or where floor is wet. This tool is intended for indoor residual use only.

MOTOR SAFETY PROTECTION

CAUTION: To avoid motor damage, this motor should be blown out or vacuumed frequently to keep sawdust from interfering with normal motor ventilation.

1. Connect this tool to a 120V, 15-amp branch circuit with a 15-amp time delay fuse or circuit breaker. Using the wrong size fuse can damage the motor.
2. If the motor won't start, release the trigger switch immediately. UNPLUG THE TOOL. Check the saw blade to make sure it turns freely. If the blade is free, try to start the motor again. If the motor still does not start, refer to the "Motor Trouble-Shooting Chart."
3. If the motor suddenly stalls while cutting wood, release the trigger switch, unplug the tool, and free the blade from the wood. The motor may now be restarted and the cut finished.
4. Fuses may "blow" or circuit breakers may trip frequently if:
 - a. MOTOR IS OVERLOADED—Overloading can occur if you feed too rapidly or make too many start/stops in a short time.
 - b. Voltages not more than 10% above or below the nameplate voltage can handle normal loads. For heavy loads, however, the voltage at motor terminals must equal the voltage specified on nameplate.
5. Most motor troubles may be traced to loose or incorrect connections, overload, low voltage (such as small size wire in the supply circuit) or to overly long supply circuit wire. Always check the connections, the load and the supply circuit whenever motor doesn't work well. Check wire sizes and length with the Wire Size Chart below.

WIRE SIZES

The use of any extension cord will cause some loss of power. To keep this to a minimum and to prevent overheating and motor burn-out, use the table below to determine the minimum wire size (A.W.G.) extension cord.

For circuits that are farther than 100 feet away from electrical service box, the wire size must be increased proportionately in order to deliver ample voltage to the saw motor.

Ampere rating (on nameplate)	0 - 5.0	5.1 - 10.0	10.1 - 13.0	13.1 - 15.0
Ext. Cord Length	Wire Size (American Wire Gauge)			
25 Ft.	18	18	16	14
50 Ft.	18	16	16	14
75 Ft.	18	16	14	14
100 Ft.	16	14	12	12
125 Ft.	16	12	12	12
150 Ft.	16	12	12	—

contents

Guarantee.....	2	Assembly and Alignment.....	9
Safety Instructions for Slide Compound Miter Saw.....	2	Mounting the Saw.....	13
Glossary of Terms for Woodworking.....	5	Basic Saw Operations.....	14
Electrical Connections.....	6	Maintenance and Lubrication.....	21
Unpacking and Preassembly.....	7	Trouble Shooting.....	23
Knowing Your Miter Saw.....	8	Repair Parts.....	26

unpacking

WARNING: To avoid injury from unexpected starting or electrical shock, do not plug the power cord into a source of power during unpacking and assembly. This cord must remain unplugged whenever you are working on the saw.

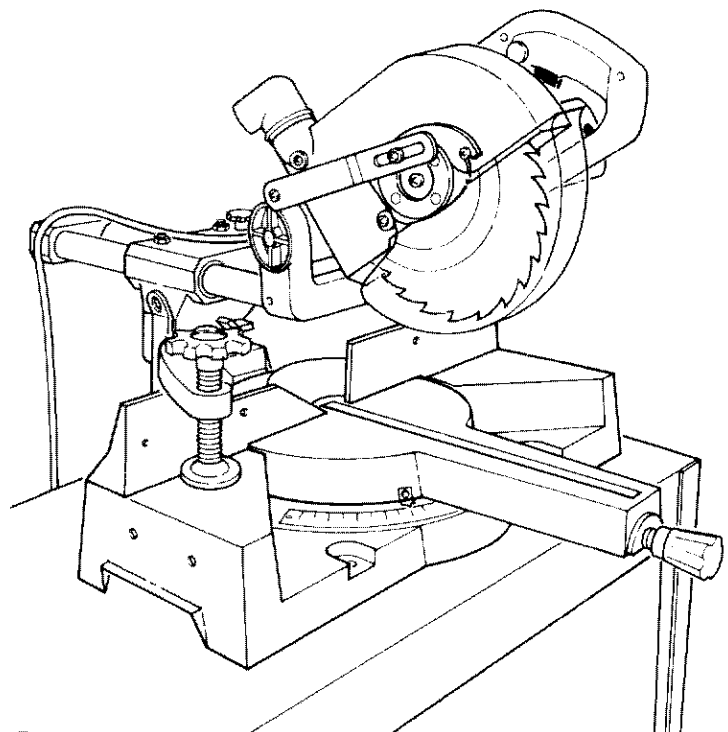
1. Before removing the saw from the shipping carton tighten the carriage lock knob to guard against sudden movement.
2. Remove the saw from the shipping carton by lifting with the handholds located at the base of the saw.

Model 113.234880 Slide Compound Miter Saw is shipped complete in one box.

WARNING: Although small, this saw is heavy. To avoid back injury, get help whenever you have to lift the saw.

WARNING: If any part is missing or damaged, do not plug the saw in until the missing or damaged part is correctly replaced. To avoid electrical shock, use only identical replacement parts when servicing double insulated tools.

Place the saw on a secure stationary work surface and look the saw over carefully.



tools needed

NOTE: All fasteners are metric except arbor screw and mounting hardware for lower guard.

Tools required for assembly and alignment of miter saw:

- #2 Phillips Screwdriver
- Combination Square
- Adjustable Wrench



#2 PHILLIPS SCREWDRIVER



COMBINATION SQUARE

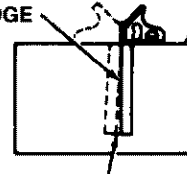


ADJUSTABLE WRENCH

COMBINATION SQUARE MUST BE TRUE

DRAW LIGHT LINE ON BOARD ALONG THIS EDGE

STRAIGHT EDGE OF BOARD 3/4" THICK THIS EDGE MUST BE PERFECTLY STRAIGHT



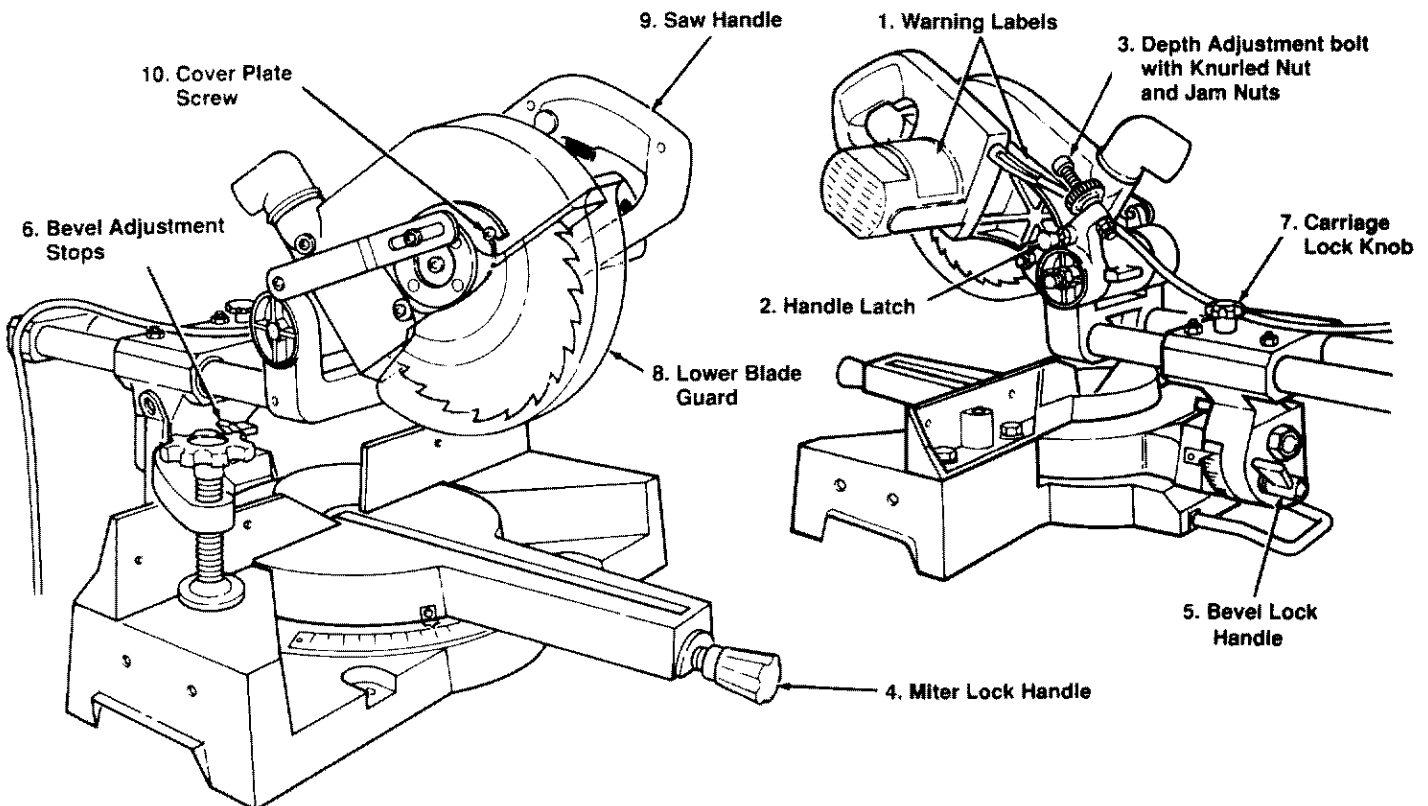
SHOULD BE NO GAP OR OVERLAP WHEN SQUARE IS FLIPPED OVER IN DOTTED POSITION



FURNISHED WRENCH 1/2" ARBOR BOX AND 12mm OPEN END

knowing your slide compound miter saw

1. Warning labels.
2. Handle Latch—The miter saw can be locked in the lowered position for compact storage.
3. Depth Adjustment bolt—When properly adjusted it limits saw blade travel to approximately 1/4" below the table.
4. Miter Lock Handle—The miter lock handle clamps the miter saw at a desired miter angle. Index points have been provided at 0, 15, 22-1/2, 30, 45 L/R.
5. Bevel Lock Handle—The bevel lock handle locks the saw at a desired bevel angle.
6. Bevel Adjustment Stops—Bolts that are adjusted to stop sawblade at 90° bevel and 45° bevel.
7. Carriage Lock Knob—Lock the carriage in place.
8. Lower Blade Guard—The blade guard helps protect your hands from the blade in the raised position. To avoid binding on the workpiece, it retracts as the blade is lowered.
9. Saw Handle—The saw handle contains the trigger switch with a lock-off button. The blade is lowered into the workpiece by pushing down on the handle. The saw will return to its upright position when the handle is released.
10. Cover Plate Screw—When tightened, holds cover plate in place and can be loosened to let cover plate swing back for blade changing.



assembly and alignment

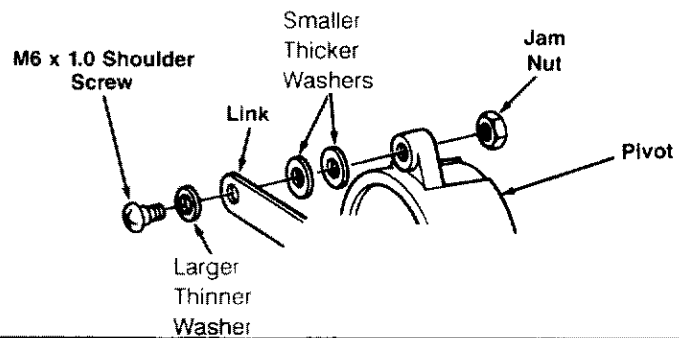
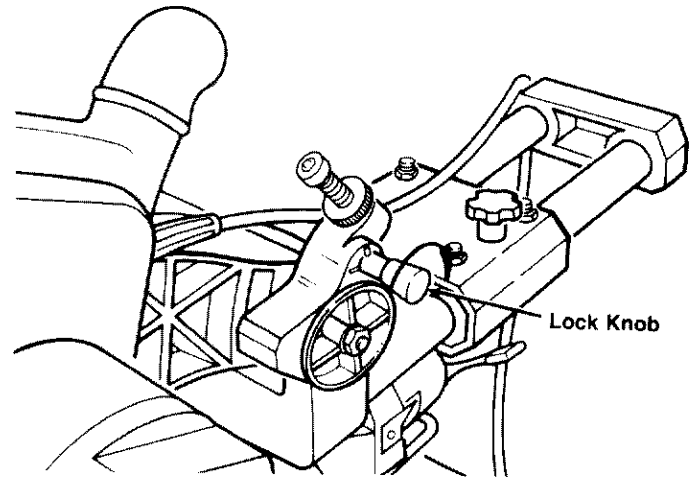
ASSEMBLY AND ALIGNMENT

Assembling the Lower Blade Guard

NOTE: For compact shipment the lower blade guard has been partially disconnected.

1. The slide compound miter saw has a spring loaded pin to lock the miter saw in the lowered position. To release push the handle down slightly, pull the locking knob and give a quarter turn.
2. Release pressure on the handle and allow the saw to rise to its up position.
3. Remove the M6 x 1.0 shoulder screw and hardware from the pivot casting as illustrated. Attach the blade guard link to the pivot casting with a phillips screwdriver while you tighten the jam nut with the adjustable wrench.

NOTE: With the blade guard link attached, the guard should raise as the blade is lowered towards the work table and drop to cover the blade as the power head is raised. This link helps prevent guard hangups and binding while you are cutting. Check that link is centered under guard bearing and does not twist and bind under pressure. If the link does bind contact Sears Service.

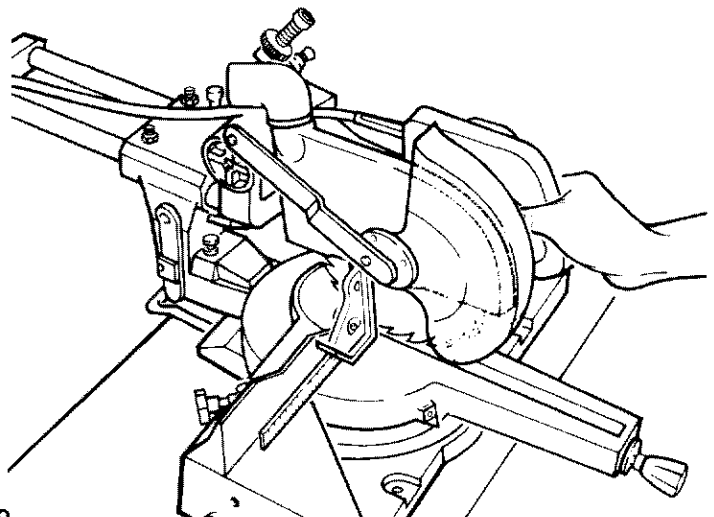
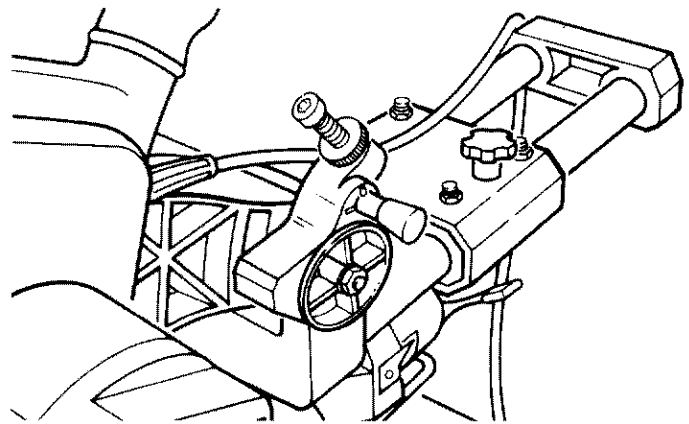


ASSEMBLY AND ALIGNMENT

Step One — Blade Square (90°) to Table

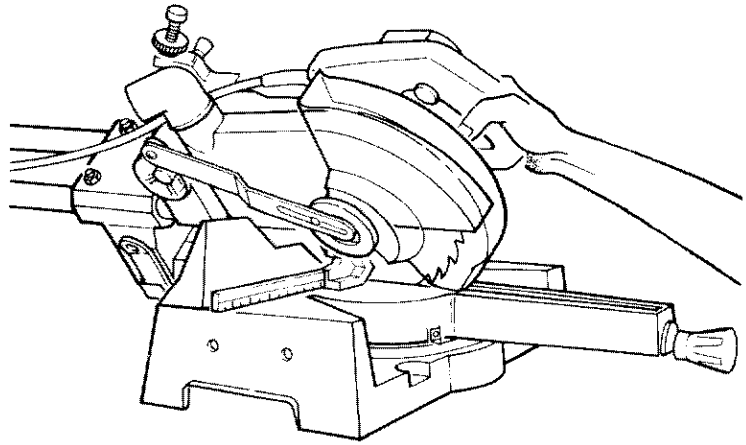
NOTE: The compound slide miter saw was assembled, aligned, and inspected before shipment. Alignment should be checked and any necessary adjustments made to insure accurate cuts.

1. Lower the blade and use the head latch to keep the blade in the down position. Use a combination square to check blade squareness to table. If the blade does not contact the full length of the square, follow the procedure below.
 - a. Loosen the bevel lock handle.
 - b. Grasp the metal upper guard and move the cutting head to the left as far as it will go.
 - c. Loosen the right side bevel stop lock nut. Lower the bevel stop bolt down as far as it will go.
 - d. Grasp the metal upper guard again and position the cutting head until the blade makes contact with the full length of the square.
 - e. Tighten the bevel lock handle.
 - f. Use 12mm wrench end to hold the bevel stop lock nut in place.
 - g. Use another wrench to turn the bevel stop bolt until it hits the bottom of the bevel stop.
 - h. Lock the bevel stop nut.
2. Check the bevel indicator. If the indicator needs adjustment use a phillips screwdriver and slide the indicator to the 0° on the scale.



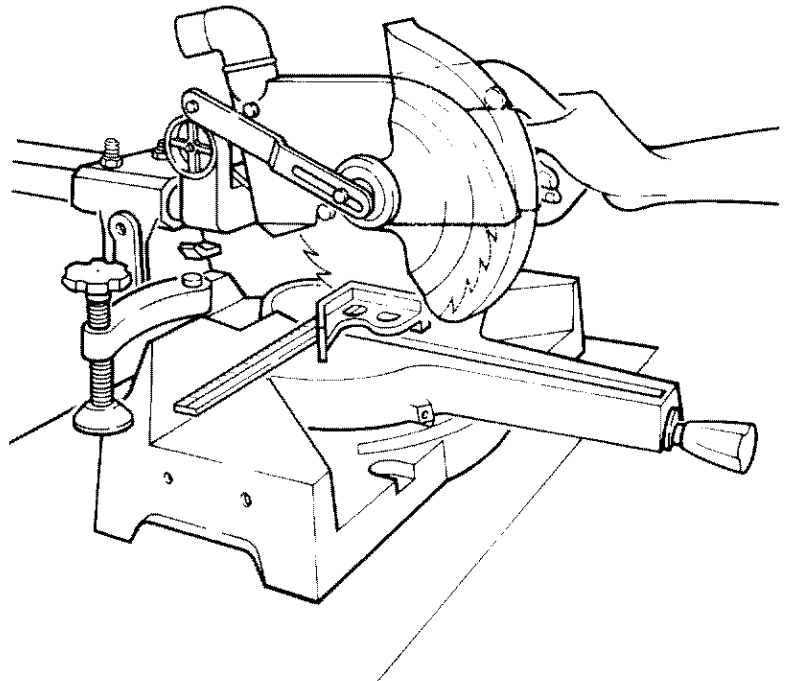
Step Two — Blade 45° to Table

1. Loosen the bevel lock handle. Grasp the metal guard and tilt the cutting head to the left until it strikes the left bevel stop.
2. Use a procedure similar to Step One except use the 45° side of the combination square. Adjust as necessary.
3. Return blade to 90° upright position and tighten bevel lock.



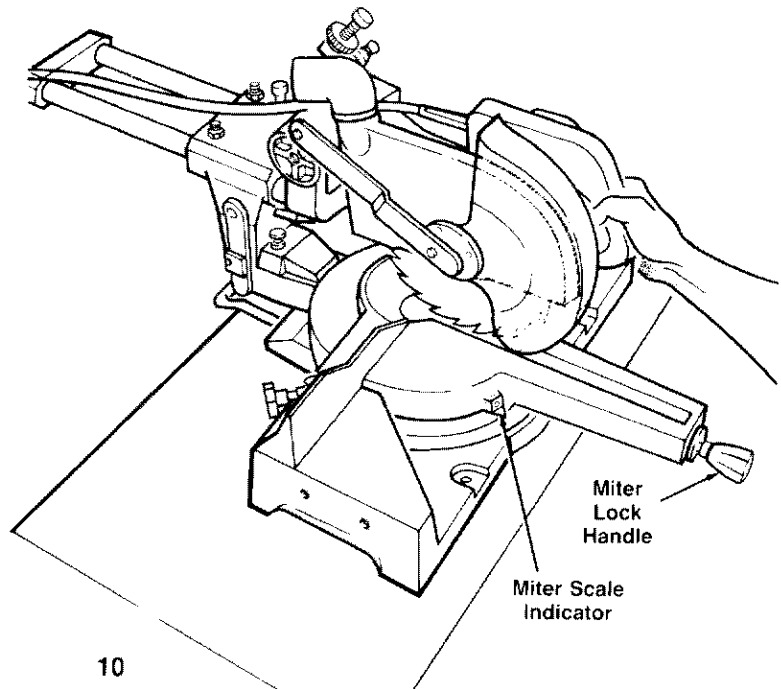
Step Three — Fence Square (90°) to Blade

1. Lower the blade and use the head latch to keep the blade in the down position. Use a combination square to make sure the fence is square to the blade as shown. If an adjustment is needed follow the procedure below.
 - a. Loosen the four (4) fence lock bolts.
 - b. Place a combination square against the saw blade and adjust the fence until it is 90° to the blade.
 - c. Tighten the four (4) fence lock bolts.



Step Four — Adjustment of Miter Scale indicator

1. Position the turntable to the 0° position. Lock the miter handle.
2. The miter scale indicator should be pointing to 0°.
3. If necessary, loosen the phillips screw that holds the indicator in place. Reposition the indicator and retighten screw.



Step Five — Bevel Pivot Adjustment

The compound slide miter saw should bevel easily by loosening the bevel lock handle and tilting the power head to the left. If movement is tight or if there is looseness in the pivot follow the adjustment procedure.

- Loosen the bevel lock handle.
- Turn the hex lock nut with a wrench.
- Recheck bevel movement of the miter saw. Readjust if necessary.

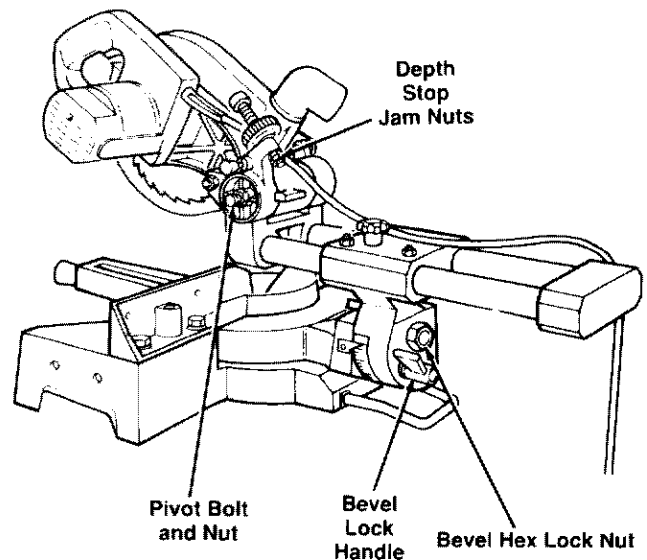
WARNING: To keep the nut from working it's way off as you use the saw, at least one thread of the pivot bolt must always stick out past the nut. Always keep the nut at least that tight.

Step Six — Cutting Head Pivot Adjustment

The compound slide miter saw should rise completely to the up position by itself. To check this release the handle latch and see if the saw will rise by itself. If the saw will not rise by itself or if there is play in the pivot joints the following adjustment is necessary.

- If the saw does not rise by itself loosen the lock nut on the pivot bolt.
- If there is play in the joints slightly tighten the lock nut on the pivot bolt.
- Recheck the saw travel. Saw should rise freely to its up travel stop. Check to see that the saw will rise from all positions and there is no looseness in the pivot. If saw still won't fully rise, have Sears Service check and repair it.

WARNING: To keep the nut from working it's way off as you use the saw, at least one thread of the pivot bolt must always stick out past the nut. Always keep the nut at least that tight.



Step Seven — Depth Stop

The depth stop limits the blade's downward travel. It allows the blade to go below the work table enough to maintain full cutting capacities, thereby cutting completely through the workpiece at the fence. Properly adjusted, the depth stop positions the blade 1/4" below the table.

WARNING: To avoid injury from unexpected starting or electrical shock, do not plug the saw in. The power cord must remain unplugged whenever you are working on the saw.

This tool is factory set to provide maximum cutting capacity for the 8-1/4" saw blade provided. When the diameter of the blade has been reduced due to sharpening it may be necessary to adjust the depth stop. When a new blade is installed, it is necessary to check the clearance of the blade to the turn table structure.

Follow the procedure below.

- Loosen the two (2) jam nuts on the end of the depth stop bolt.
- Loosen the knurled nut at the top of the arm.
- The saw blade is lowered by turning the depth stop bolt counterclockwise and raised by turning the bolt clockwise.
- Lower the blade into the slot of the turn table. Check blade clearance and maximum cutting distance (distance from fence where blade enters) to front of work table slot. Readjust if necessary.

CAUTION: Do not start the compound slide miter saw without checking for interference between the blade and the turn table structure. The blade could be ruined if it cuts into the turn table structure.

- Tighten the large knurled nut at the top of arm.
- Tighten the two (2) nuts on the end of the depth stop bolt against the depth stop.

Removing or Installing the Blade

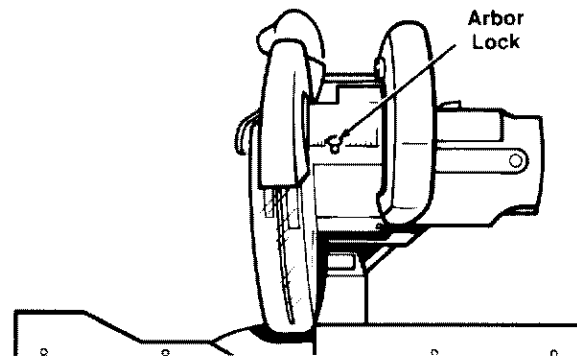
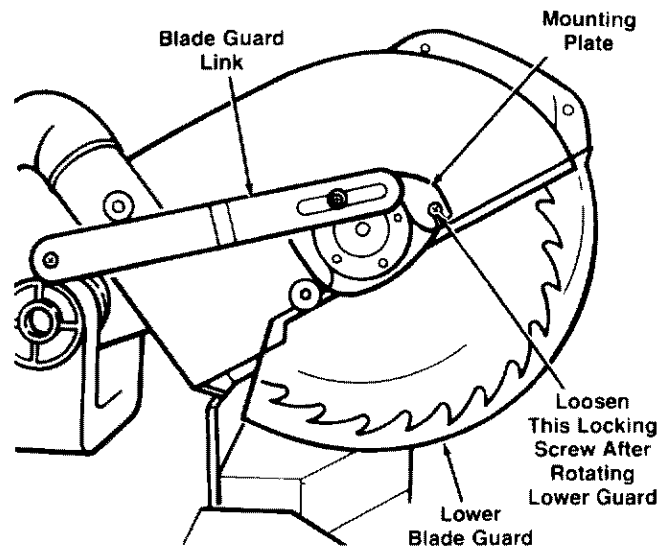
WARNING: To avoid injury from a thrown work-piece or thrown pieces of blade, do not use a blade larger or smaller than 8-1/4" diameter.

WARNING: To avoid injury from unexpected starting, unplug the saw whenever you are removing or installing the blade.

1. Unplug the saw from the outlet. Cutting head is up.
2. Rotate lower guard out of the way. Loosen the screw holding the lower guard mounting plate to the upper guard.
3. Lift the lower guard up and tilt the lower guard assembly back so the arbor screw is exposed.
4. Find the arbor lock between the upper guard and the miter saw handle. Place a 1/2" box end wrench or arbor wrench furnished, over arbor screw.
5. Press the arbor lock and hold it in firmly while turning the wrench **clockwise**. The arbor lock will engage after some turning of the wrench.

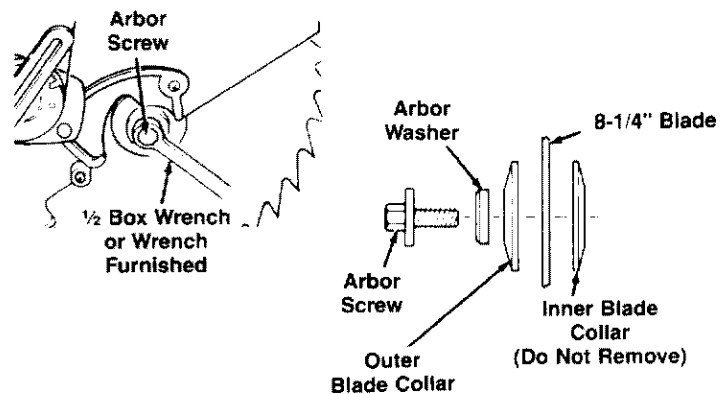
NOTE: The arbor lock can be damaged by improper use. If the arbor lock will not hold, lower the blade down on to a scrap piece of wood positioned against the fence. This will serve as an alternate locking means.

6. Unscrew and remove the arbor screw, arbor washer, outer blade collar, and the blade.



NOTE: Pay attention to pieces removed, noting their position and direction they face (see illustration). Wipe the blade collars clean of any sawdust before installing the new blades.

7. Install the new 8-1/4" blade. Make sure the rotation arrow on the blade matches the clockwise rotation arrow on the upper guard.
8. Install the outer blade collar, arbor washer and arbor screw. Press the arbor lock and turn the 1/2" wrench counter clockwise to secure the blade. Tighten arbor screw securely.
9. Lower the lower blade guard until the slot in mounting plate rests all the way down on the locking screw. Tighten the locking screw.



DANGER: Never use saw without mounting plate locked securely in place. It keeps the arbor screw from falling out if it accidentally loosens and prevents the spinning blade from coming off the machine.

WARNING: After installing a new blade, make sure the blade clears the table slot at the 0° and 45° bevel positions. Lower the blade into the table slot and check for any contact with the base or turn table structure.

10. Be sure the arbor lock is released so the blade turns freely.

If blade contacts turn table, refer to assembly and alignment, step two, for adjustment.

If blade bottoms out on turn table structure, due to assembly and alignment, see depth stop section for adjustment.

(See page 11, Step 7).

MOUNTING THE SAW

WARNING: To avoid injury:

Before moving the saw:

- Lock the miter, bevel and carriage.
- Unplug the power cord.
- Get help. This saw weighs 70 pounds. To avoid back injury, get help whenever you need to lift it.

NEVER carry the saw by the cord or power head handle. The handle could break suddenly. Damage to insulation could cause an electric shock. Damage to wire connections could cause a fire.

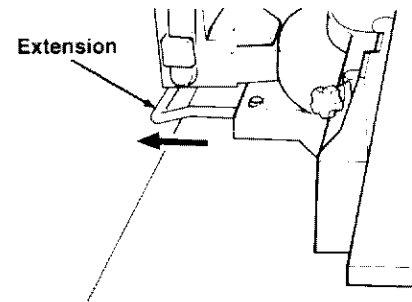
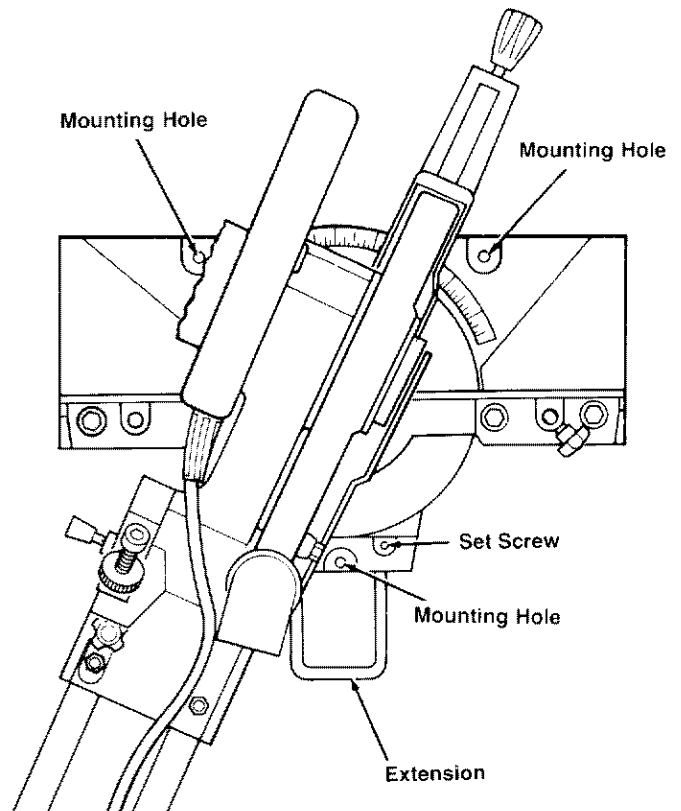
DANGEROUS ENVIRONMENT. Use the slide compound miter saw in a dry, indoor place protected from rain. Keep work area well lighted.

Place the slide compound miter saw so neither the user or bystanders are forced to stand in line with the blade. Thrown debris could injure people in its path.

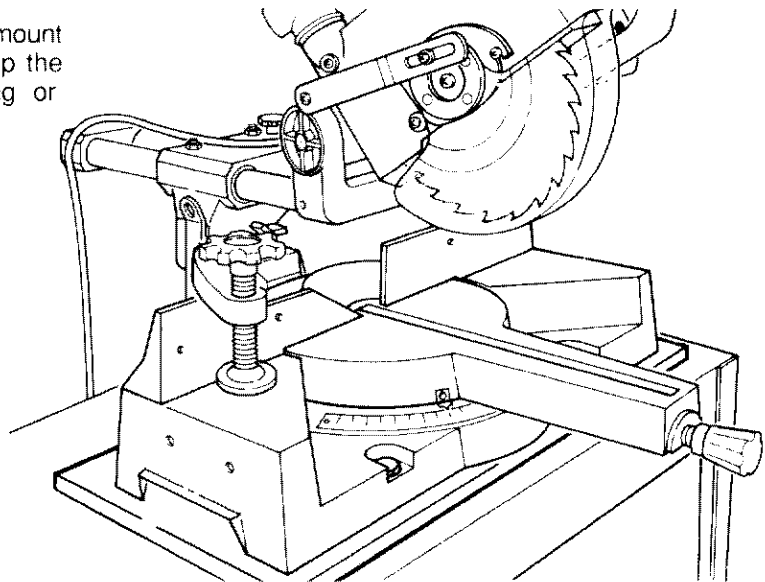
To avoid injury from unexpected saw movement:

- Put the slide compound miter saw on a firm level surface where there is plenty of room for handling and properly supporting the workpiece.
- Support the slide compound miter saw so the table is level and the saw does not rock.
- Loosen the set screw locking the "U"-shaped extension on the rear of the saw. Slide the bracket out to support the saw. Retighten the set screw.
- Bolt or clamp the saw to its support.

Place the saw on a work bench. The base of the saw has three holes to mount the compound slide miter saw (see illustration). If the saw is to be used in one location, fasten it to the work bench.



If the saw is to be used in a portable application, mount the saw to a 1/2" piece of plywood. Then clamp the mounting board down to prevent it from tipping or slipping.



Basic Saw Operations

BEFORE USING THE SLIDE COMPOUND MITER SAW:

WARNING: To avoid mistakes that could cause serious, permanent injury, do not plug the saw in until the following steps are completed.

- Assembly and alignment. (See pages (10-12))
- Learn the use and function of:
 - (a) the ON-OFF switch,
 - (b) upper and lower blade guards,
 - (c) head latch,
 - (d) bevel lock handle,
 - (e) cover plate stop screw,
 - (f) depth adjustment bolt,
 - (g) carriage lock knob,
 - (h) miter lock handle, and
 - (i) saw handle.
- Review and understand all safety instructions and operating procedures in this manual.
- Review the maintenance methods for this slide compound miter saw. (See pages 21-22)

BEFORE EACH USE:

Inspect your slide compound miter saw.

DISCONNECT THE SAW. To avoid injury from accidental starting, unplug the saw, before changing the setup, changing the blade or adjusting anything.

Compare the direction of rotation arrow on the guard to the direction arrow on the blade. The blade teeth should always point downward at the front of the saw.

Tighten the arbor screw.

Tighten the cover plate stop screw.

CHECK DAMAGED PARTS. Check for:

- Alignment of moving parts,
- Damaged electric cords.
- Binding of moving parts.
- Broken parts,
- Stable mounting,
- Function of arm return spring and lower guard: Push the arm all the way down, then let it rise up until it stops by itself. Check the lower guard to see if it closed fully. If it did not, follow the instructions in the Trouble Shooting section.
- Smooth, solid movement of the slide assembly.
- Other conditions that may affect the way the slide compound miter saw works.

KEEP GUARDS IN PLACE, in working order, and in proper adjustment.

If any part is missing, bent, or broken in any way, or any electrical parts don't work, turn the saw off and unplug it. REPLACE damaged, missing or failed parts before using the saw again.

MAINTAINING TOOLS WITH CARE. Keep the slide compound miter saw clean for best and safest performance. Follow instructions for lubricating. **DON'T** put lubricants on the blade while it's spinning.

REMOVE ADJUSTING KEYS AND WRENCHES from tool before turning it on.

To avoid injury from jams, slips or thrown pieces:

- USE ONLY RECOMMENDED ACCESSORIES. (See page 22). Consult this Owner's manual for recommended accessories. Follow the instructions that come with the accessories. The use of improper accessories may cause risk of injury to persons.
- Choose the right 8-1/4" inch diameter blade for the material and the type of cutting you plan to do.
- Make sure the blade is sharp, undamaged and properly aligned. with the saw unplugged, push the power-head all the way down and back. Hand spin the blade and check for clearance. Tilt the power-head to 45 degree bevel and repeat the check. If the blade hits anything, make the adjustments shown in the Maintaining Maximum Cutting Capacity section.
- Make sure the blade and arbor collars are clean.
- Make sure the arbor collars' recessed sides are facing the blade.
- Using the provided arbor wrench, or a 1/2" box end wrench make sure the arbor cap screw is firmly hand tightened.
- Make sure all clamps and locks are tight and no parts have excessive play.
- KEEP WORK AREA CLEAN. Cluttered areas and benches invite accidents. Floor must not be slippery.

To avoid burns or other fire damage, never use the slide compound miter saw near flammable liquids, vapors or gases.

Plan ahead to protect your eyes, hands, face, ears.

KNOW YOUR SLIDE COMPOUND MITER SAW. Read and understand the owner's manual and labels affixed to the tool. Learn its application and limitations as well as the specific potential hazards peculiar to this tool.

To avoid injury from accidental contact with moving parts, don't do layout, assembly, or setup work on the slide compound miter saw while any parts are moving.

AVOID ACCIDENTAL STARTING. Make sure switch is "OFF" before plugging slide compound miter saw into a power outlet.

Plan your work.

USE THE RIGHT TOOL. Don't force tool or attachment to do a job it was not designed to do. Use a different tool for any workpiece that can't be held in a solidly braced, fixed position.

Dress for safety.

Any power slide compound miter saw can throw foreign objects into the eyes. This can cause permanent eye damage. Wear safety goggles (not glasses) that comply with ANSI Z87.1 (shown on package). Everyday eye-glasses have only impact resistant lenses. They are not safety glasses. Safety goggles are available at Sears retail catalog stores. Glasses or goggles not in compliance with ANSI Z87.1 could seriously hurt you when they break.

- Do not wear loose clothing, gloves, neckties or jewelry (rings, wrist watches). They can get caught and draw you into moving parts.
- Wear nonslip footwear.
- Tie back long hair.
- Roll long sleeves above the elbow.
- Noise levels vary widely. To avoid possible hearing damage, wear ear plugs or muffs when using slide compound miter saw for hours at a time.
- For dusty operations, wear a dust mask along with the safety goggles.

Inspect your workpiece.

Make sure there are no nails or foreign objects in the part of the workpiece to be cut.

Plan your work to avoid the spinning blade and keep the workpiece from binding on the blade and flying out of your hands:

Plan how you will make the cut. Always:

- Make sure the blade is not spinning.
- Raise the blade.
- Slide the saw out to the front edge of the workpiece before starting it, and
- Push the saw blade down and away from you to make the cut.

DANGER: NEVER pull the saw toward you during a cut. The blade can suddenly climb up on top of the workpiece and force itself toward you.

Plan the way you will hold the workpiece from start to finish:

Avoid awkward operations and hand positions where a sudden slip could cause fingers or hand to move into the blade.

Never reach behind or beneath the blade.

DON'T OVERREACH. Keep good footing and balance.

Keep your face and body to one side, out of line with a possible throwback.

Never cut **FREEHAND**:

- Brace your workpiece solidly against the fence and table so it will not rock or twist during the cut.
- Make sure there's no debris between the workpiece and its supports.
- Make sure no gaps between the workpiece, fence and table will let the workpiece shift after it is cut in two.
- Never cut more than one workpiece at a time.
- Keep the cut off piece free to move sideways after it's cut off. Otherwise, it could get wedged against the blade and thrown violently.
- Clear everything except the workpiece and related support devices off the table before turning the slide compound miter saw on.
- **SECURE WORK.** Use clamps or a vise to help hold the work when it's practical.

Use extra caution with large, very small or awkward workpieces:

- Use extra supports (tables, saw horses, blocks, etc.) for any workpieces large enough to tip when not held down to the table top.
- **NEVER** use another person as a substitute for a table extension, or as additional support for a workpiece.
- Do not use this saw to cut pieces too small to let you easily hold the work while you keep the thumb side of your index (pointer) finger against the outside edge of the fence.
- When cutting irregularly shaped workpieces, plan your work support so it will not slip, pinch the blade and be torn from your hands. A piece of molding, for example, must lie flat or be held by a fixture or jig that will not let it twist, rock or slip while being cut.
- Properly support round material such as dowel rods. They have a tendency to roll while being cut, causing the blade to "bite". To avoid this, always use a fixture designed to properly hold your workpiece.

WHENEVER SAW BLADE IS SPINNING.

WARNING: Don't let familiarity (gained from frequent use of your slide compound miter saw) cause a careless mistake. A careless fraction of a second is enough to cause a severe injury.

Before starting your cut, watch the slide compound miter saw while it runs. If it makes an unfamiliar noise or vibrates a lot, stop immediately. Turn the slide compound miter saw off. Unplug the slide compound miter saw. Do not restart until finding and correcting the problem.

KEEP CHILDREN AWAY. Keep all visitors a safe distance from the slide compound miter saw. Make sure bystanders are clear of the slide compound miter saw and workpiece.

Never confine the piece being cut off. Never hold it, clamp it, touch it, or use length stops against it while the blade is spinning. It must be free to move sideways on its own. If confined, it could get wedged against the blade and thrown violently.

Let the blade reach full speed before cutting.

DON'T FORCE TOOL. It will do the job better and safer at its designed rate. Feed the blade into the workpiece only fast enough to let it cut without bogging down or binding.

Before freeing any jammed material:

- Turn switch "OFF".
- Unplug the slide compound miter saw.
- Wait for all moving parts to stop.

After finishing a cut:

- Keep holding the power head down.
- Release the switch, and wait for all moving parts to stop before moving your hands.
- If blade doesn't stop within 6 seconds, unplug the saw and follow the instructions in the Trouble Shooting section for fixing the brake before using the saw again.

BEFORE LEAVING THE SAW:

NEVER LEAVE TOOL RUNNING UNATTENDED. Turn power off. Wait for all moving parts to stop.

Make workshop child-proof. Lock the shop. Disconnect master switches. Store tool away from children and others not qualified to use it.

Making Common Cuts

There are two types of cuts that can be made with the slide compound miter saw;

1. Chop Cutting (See page 17).
 - The carriage lock knob is tightened and the saw handle is pushed down to cut through the workpiece.
 - This type of cut is used mainly for narrow pieces.
2. Slide Cutting (See page 18).
 - The carriage lock knob is left loose, the cutting head is pulled towards the operator, the saw blade is lowered into the workpiece and then pushed to the rear of the saw to complete the cut.
 - Used for cutting wide pieces

Body and Hand Position

Proper positioning of your body and hands when operating the miter saw will make cutting easier and safer. Never place hands near cutting area. Place hand so all

parts are at least 4" from path of blade. Hold workpiece firmly to the fence to prevent movement toward the blade. Keep hands in position until blade has completely stopped. Before making a cut, make a "dry run" with the power off so you can see the path of the blade.

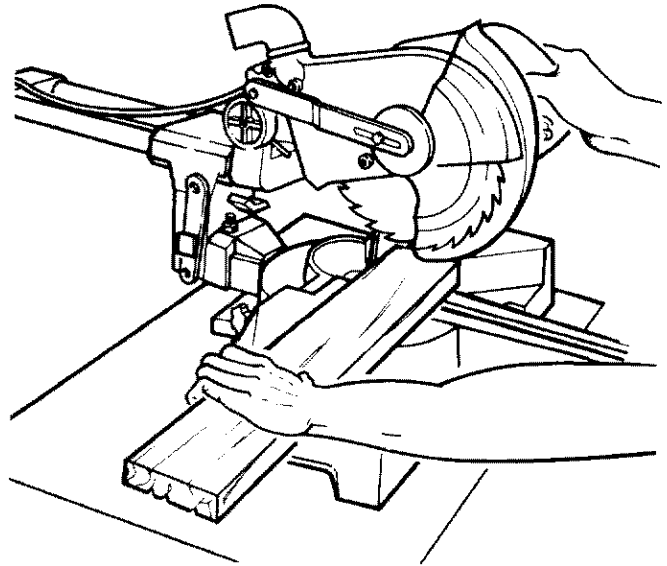
WARNING: To avoid thrown work and blade contact, do not try to cut pieces too short to let you properly support the workpiece and keep your hold down hand the required distance from the blade.

WARNING: For your convenient use, your saw has a blade brake. The brake is not a safety device. Never rely on it to replace proper use or the guard on your saw. If the blade does not stop within 6 seconds, unplug the saw and follow the instructions in the Trouble Shooting section for fixing the brake before using the saw again.

Chop Cutting

90° Crosscut

- Slide the cutting head to the rear as far as it will go.
- Lock carriage lock knob.
- Position workpiece on table and against fence.
- Turn on saw and lower blade into workpiece.
- After cut is complete turn off saw, wait for blade to come to a complete stop, allow cutting head to rise up.

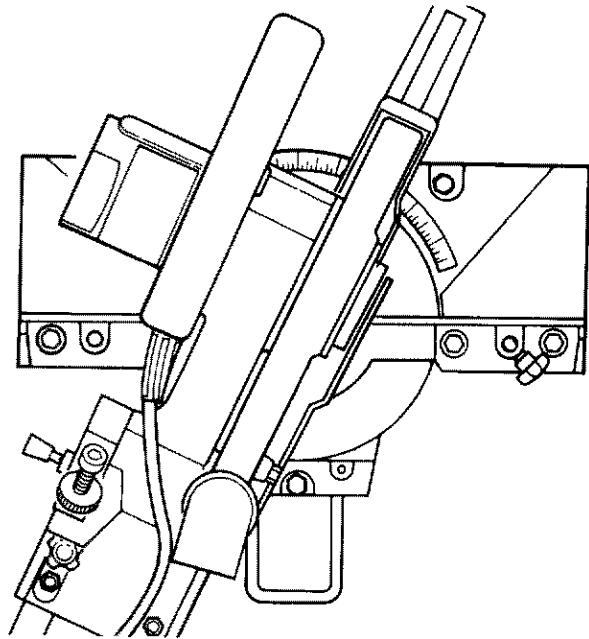


Miter Cut

When a miter cut is required, move the saw to the desired angle. Do not stand in front of the saw table. Move with the handle to the miter angle to make the cut.

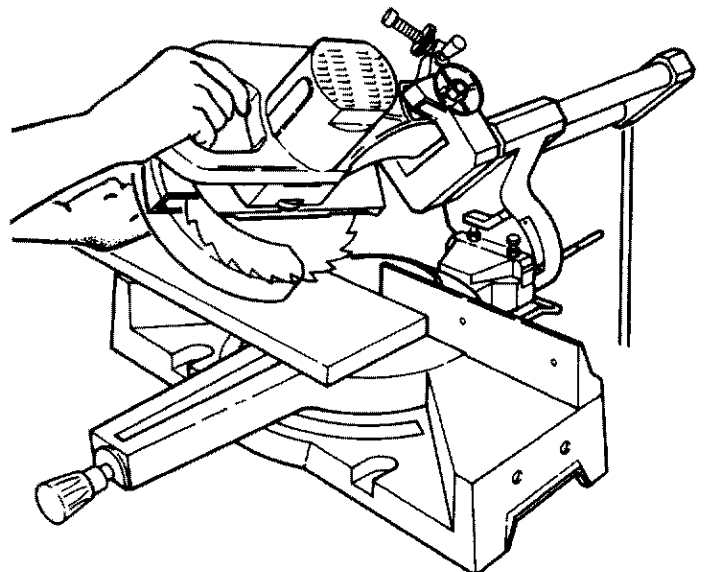
There are settings on the miter scale for angles (degrees), crown molding, and rafter slope(s).

NOTE: Remember to loosen the miter lock handle before changing the miter angle.



Bevel Cut

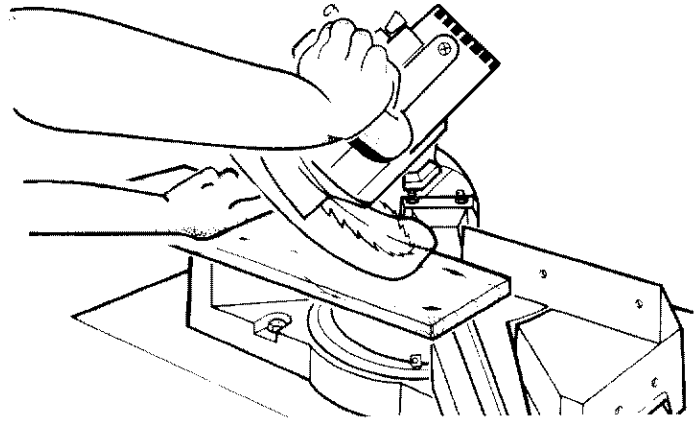
When a bevel cut is required, tilt the blade to desired bevel angle. Stand to the left side of the handle to make the cut.



Compound Cut

When a compound cut is required, select the correct bevel and miter position. Move with the handle to the miter angle to make the cut.

Crown molding settings are specially marked on miter and bevel scales.



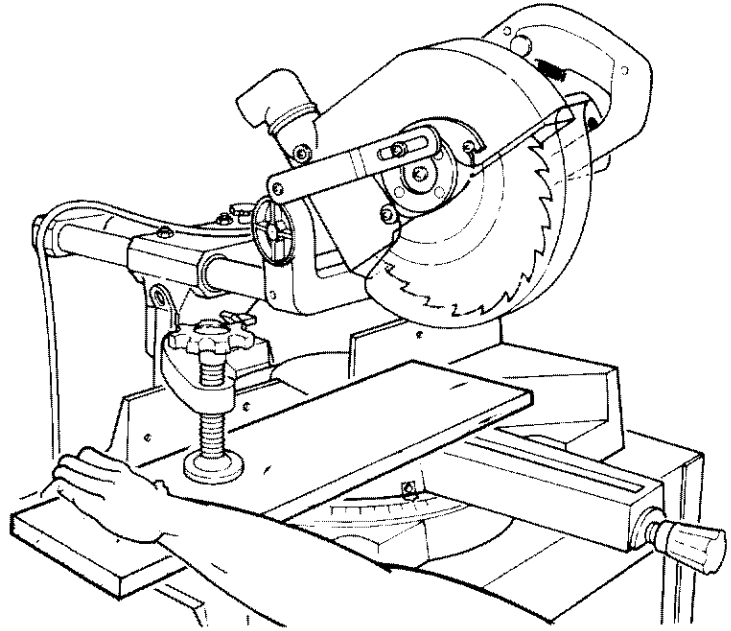
Hold Down Vise

The hold down vise is used to help hold the workpiece in the correct cutting position. It may be used on either the left side of the miter saw or the right side. Before turning the saw on make sure the hold down vise does not interfere with the cutting action of the saw.

WARNING: The vise will help hold the workpiece down. It will not keep the saw from throwing pieces that twist into the blade.

To avoid this:

- Always hold the workpiece against the fence.
- Always hold the clamped side of the workpiece.
- Never confine the piece being cut off. Never hold it, clamp it, touch it, or use length stops against it while the blade is spinning. It must be free to move sideways on its own. If confined, it could get wedged against the blade and thrown violently.



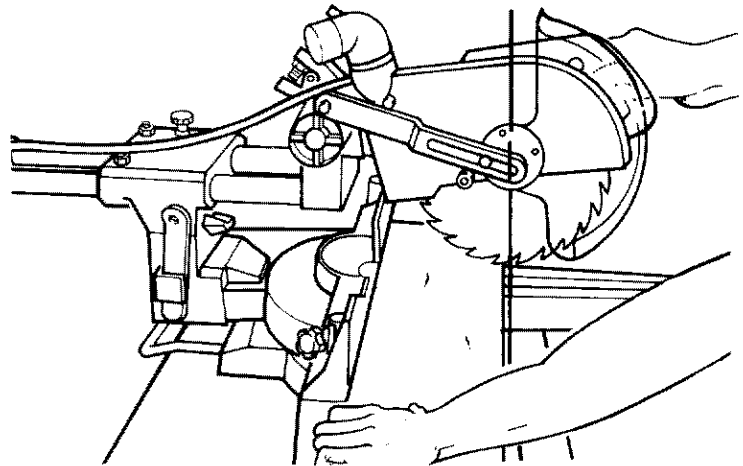
Slide Cutting

Plan your work to avoid the spinning blade and keep the workpiece from binding on the blade and flying out of your hands:

Plan how you will make the cut. Always:

- Make sure the blade is not spinning.
- Raise the blade
- Slide the saw out above the front edge of the workpiece before starting it, and
- Push the saw blade down and away from you to make the cut.

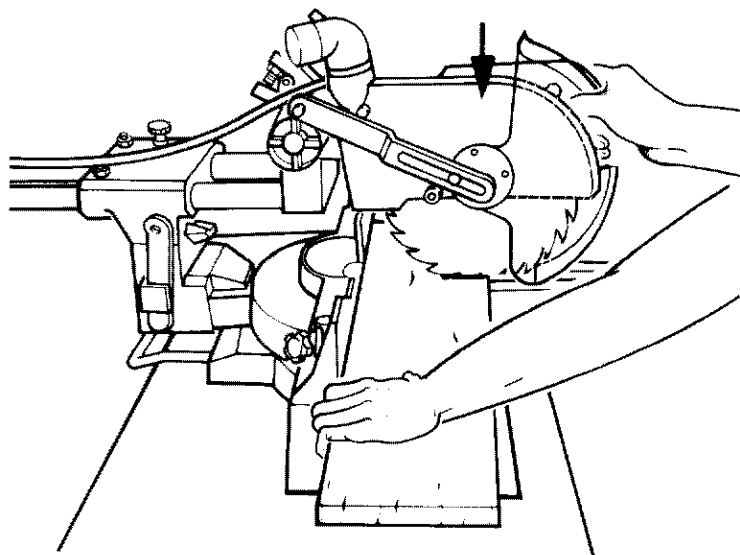
DANGER: NEVER pull the saw toward you during a cut. The blade can suddenly climb up on top of the workpiece and force itself toward you.



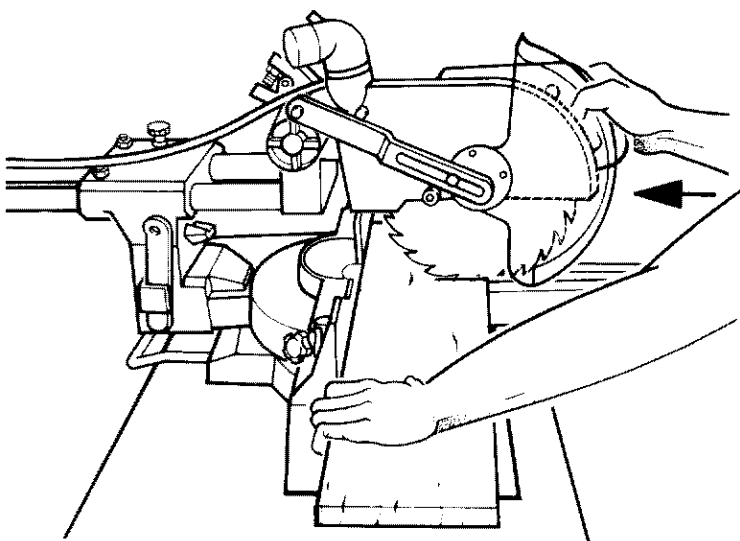
Workpieces up to 12" wide and 2-1/2" thick can be cut following the directions below:

- a. Put wood against fence.
- b. Loosen the carriage lock knob.
- c. Grasp the saw handle and pull the carriage until the arbor (center of saw blade) is over the front edge of the workpiece.
- d. Switch on the saw and allow to come to full speed.

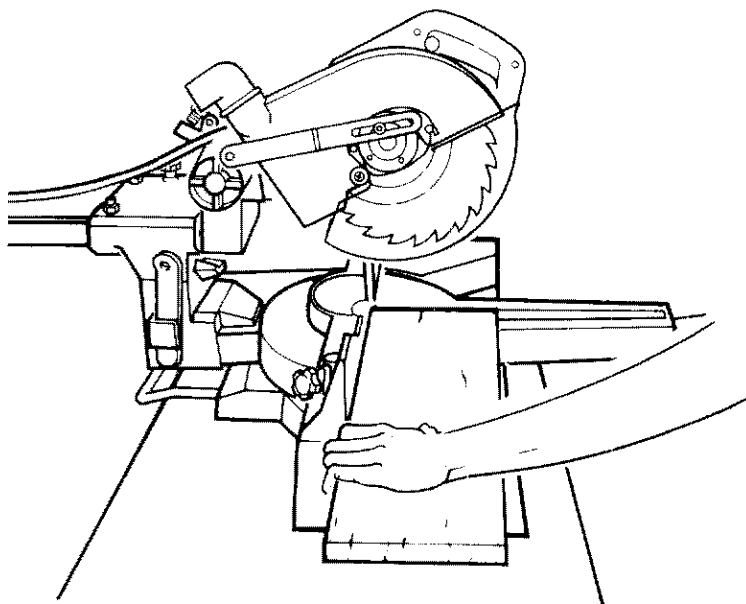
- e. Push the saw handle all the way down and cut through the edge of the workpiece.



- f. Gently PUSH the saw handle TOWARDS the fence completing the cut.



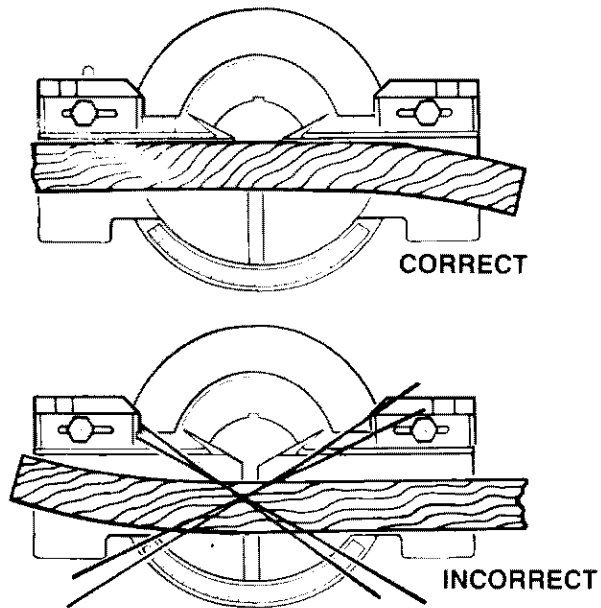
- g. Push power head to full rear position after each cut.
h. Turn motor off and allow blade to come to a complete stop before moving hands.
i. Allow cutting head to rise up by itself.



Cutting Bowed Material

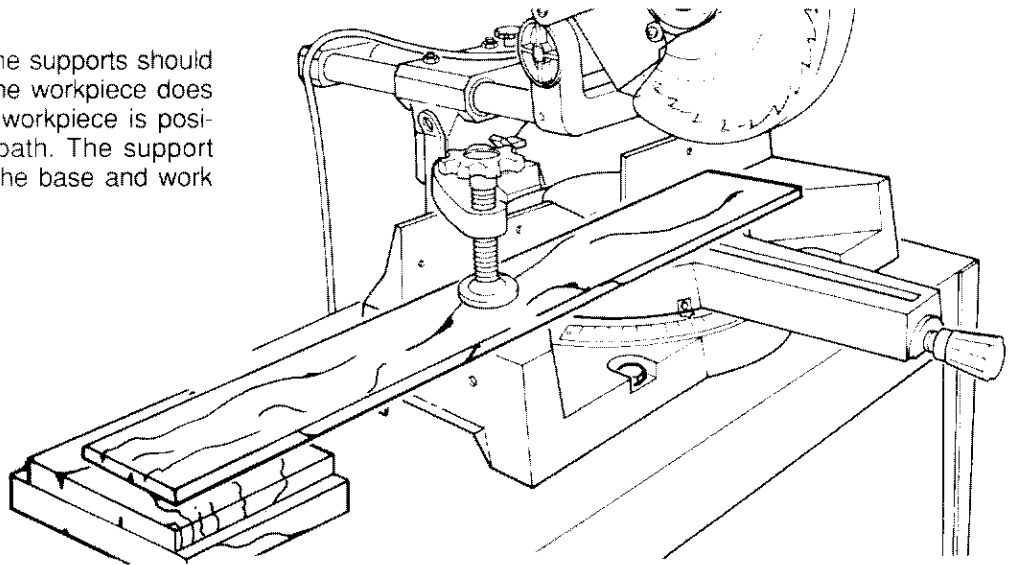
Before cutting a workpiece, check to make sure it is not bowed. If it is bowed the workpiece must be positioned and cut as illustrated.

WARNING: Do not position workpiece incorrectly or try to cut the workpiece without the support of the fence. This will cause pinching of the workpiece on the blade. the workpiece could suddenly jump or move and your hand could hit the blade.



Workpiece Support

Long pieces need extra supports. The supports should be placed along the workpiece so the workpiece does not sag and your hand holding the workpiece is positioned 4" or more from the blade path. The support should let the workpiece lie flat on the base and work table during the cutting operation.

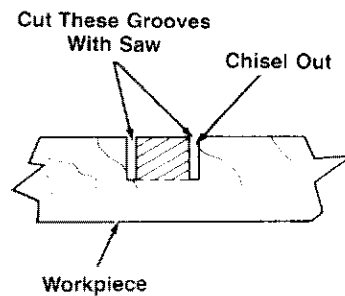


Rough Cutting a Dado by Making Grooving-Depth Cuts

By using the depth adjustment knob it is possible to rough cut a dado as shown. After the two outside cuts have been completed the inside material (represented by slanted lines) is removed with a chisel.

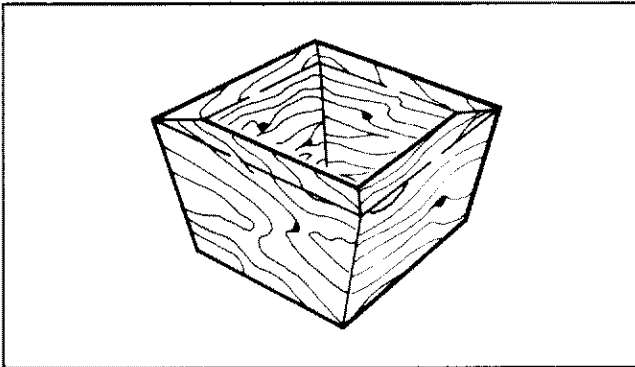
- Set the depth of cut by loosening the knurled nut on the depth adjustment bolt. Do **not** change the position of the two (2) jam nuts on the end of the bolt.
- Turn the depth adjustment bolt to the correct setting.
- Tighten the knurled nut.
- Cut the two outside grooves.
- Use a wood chisel to remove the material between the outside grooves.

NOTE: Because of the sawblades cutting arc material at the beginning or end of the cut(s) may have to be removed with a chisel.



TIPS FOR CUTTING COMPOUND MITERS

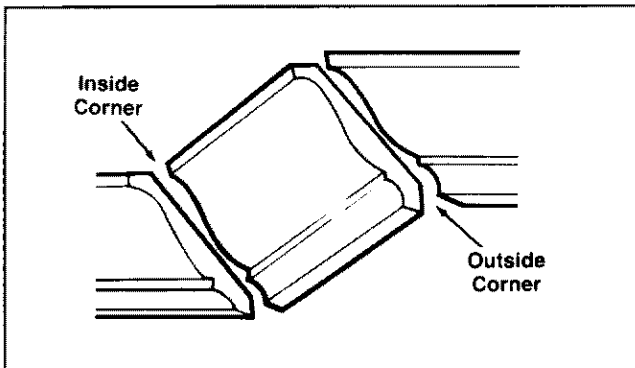
A compound miter is a cut requiring both a miter setting and bevel setting. A compound miter is used for making frames or boxes that have sloping sides and are wide at one end and narrow at the opposite end. Compound miters are "tricky" to make because the miter setting and bevel setting are directly related to each other. Every time the miter setting is changed the bevel setting must also be adjusted; likewise every adjustment to bevel requires a corresponding adjustment to miter. Because it may take several tries to obtain the desired angle it is advisable to make test cuts in a scrap piece of material.



TIPS FOR CUTTING CROWN MOLDING

A slide compound miter saw is excellent for cutting crown molding. Crown molding is difficult to cut because in order to fit correctly it must be precisely mitered.

All Standard (U.S.) crown molding has a top rear angle (fits next to ceiling) of 52° and a bottom rear angle (fits against wall) of 38°



maintenance and lubrication

Maintenance

Always unplug the power cord before any maintenance check on this saw.

DANGER: Never put lubricants on the blade while it's spinning.

WARNING: To avoid injury from unexpected starting or electrical shock, unplug the power cord before working on the saw.

On the miter and bevel scale indicator there are setting marks (CM) for Crown Molding.

MITER AND BEVEL SETTING FOR STANDARD CROWN MOLDING

BEVEL SETTING	MITER SETTING	TYPE OF CUT
33.8°	31.6° RIGHT	LEFT SIDE, INSIDE CORNER: 1. Position top of molding against fence. 2. Left side is finished piece.
33.8°	31.6° LEFT	RIGHT SIDE, INSIDE CORNER: 1. Position bottom of molding against fence. 2. Left side is finished piece.
33.8°	31.6° LEFT	LEFT SIDE, OUTSIDE CORNER: 1. Position bottom of molding against fence. 2. Right side is finished piece.
33.8°	31.6° RIGHT	RIGHT SIDE, OUTSIDE CORNER: 1. Position top of molding against fence. 2. Right side is finished piece.

NOTE: On all above cuts lay molding with broad back surface flat on table.

PRETESTING COMPOUND SETTINGS ON SCRAP MATERIAL IS EXTREMELY IMPORTANT!

WARNING: For your safety, this saw is double insulated. To avoid electrical shock, fire or injury, use only parts identical to those identified in the parts list. Reassemble exactly as original assembly to avoid electrical shock.

maintenance and lubrication (cont.)

Replacing Carbon Brushes

The carbon brushes furnished will last approximately 50 hours of running time or 10,000 on/off cycles. Replace both carbon brushes when either has less than 1/4" length of carbon remaining. To inspect or replace first unplug the saw, then remove the black plastic cap on the side of the motor (caution, this cap is spring loaded by the brush assembly.). Then pull out the brush. Repeat for the other side. To reassemble reverse the procedure. The ears on the metal end of the brush assembly go in the same hole the carbon part fits into. Tighten the cap snugly but do not overtighten.

NOTE: To reinstall the same brushes, first make sure the brushes go back in the way they came out. This will avoid a break in period that reduces performance and increases wear.

Lower Blade Guard

Do not use the saw without the lower guard. The lower blade guard is attached to the saw for protection. Should the lower guard become damaged, do not use the saw until damaged guard has been replaced. Develop a regular check to make sure the lower guard is working properly. Clean the lower guard of any dust or build up with a damp cloth.

CAUTION: Do not use solvents on the guard. They could make the plastic "cloudy" and brittle.

WARNING: When cleaning lower guard unplug the saw from the outlet to avoid unexpected start-up.

Sawdust

Periodically, sawdust will accumulate under the work table and base. This could cause difficulty in the movement of the work table when setting up a miter cut. Blow out or vacuum up the sawdust as required.

WARNING: If blowing sawdust, wear proper eye protection to keep debris from blowing into eyes.

Lubrication

All the motor bearings in this tool are lubricated with a sufficient amount of high grade lubricant for the life of the unit under normal operating conditions, therefore, no further lubrication is required. (See below.)

Infrequent Lubrication as Required:

Slide Tubes: Squirt automotive type oil directly on tubes. It will be picked up and dispersed by built-in felt wicks.

Chop Pivot: Light machine oil or aerosol will penetrate from ends and junction points. Qualified service technician can remove pivot up-stop to relieve spring tension, and 2 metric set screws holding shaft in order to drive shaft about 3/4" right. Exposed surfaces are lubricated with automotive type oil.

Central Pivot of Plastic Guard: Use light household oil (sewing machine oil) on metal-to-metal or metal-to-plastic guard contact areas as required for smooth, quiet operation. Avoid excess oil, to which sawdust will cling.

Table Pivot: Qualified service technician should lift table from base in base-down tool position only or index-detent ball may be lost. Use automotive type oil on rubbing surfaces.

Bevel Pivot: Bevel Pivot casting may be loosened or removed from table casting without special difficulty by qualified service technician. Lubricate rubbing surfaces with automotive type oil.

Link: (Which actuates lower guard movement) may be oiled at rear pivot, greased at ball-bearing contact, and **oiled where link actuates acetal roller of lower guard if down chop motion is hard to start.**

WARNING: To avoid injury from unsafe accessories, use only accessories shown on the recommended accessories list in this manual.

WARNING: To avoid injury from incompatible prohibited accessories, use only Sears Craftsman 8-1/4" saw blades of the type listed under recommended accessories. Don't use accessories such as shaper cutters or dado sets. Metal cutting and the use of abrasive wheels are prohibited.

Recommended Accessories

Basic Blade Requirements

- 8-1/4" Diameter
- Blades marked for 5,500 RPM or higher.
- 5/8" Arbor Hole

Carbide-Tipped Blades:

- 8-1/4" Trim Saw See Catalog
- 8-1/4" Cut-Off See Catalog
- 8-1/4" Combination See Catalog
- 8-1/4" Plywood/Particle Board See Catalog

Non-Carbide Tipped Blades:

- 8-1/4" Cross Cut/Plywood See Catalog
- 8-1/4" Combination See Catalog



TROUBLE SHOOTING GUIDE - ELECTRICAL

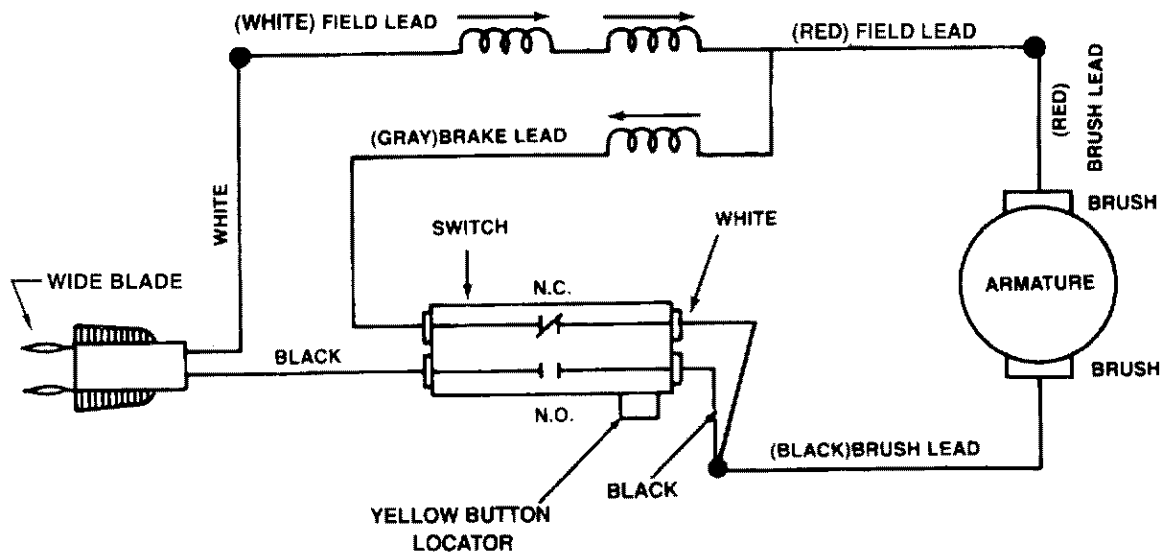
PROBLEM	PROBABLE CAUSE	SUGGESTED CORRECTIVE ACTION
Brake does not stop blade within 3-6 seconds.	<ol style="list-style-type: none"> 1. Brushes not seated or lightly sticking. 2. Motor brake winding—overheated from use of not recommended accessory or rapid on/off cycling. 3. Arbor screw loose. 4. Other. 	<ul style="list-style-type: none"> — Inspect/clean/replace brushes (see maintenance section). — Install new brushes. — Use a recommended blade. — Let cool down. — Retighten — Authorized service: See "Brake Trouble Shooting" page 24.
Motor does not start.	<ol style="list-style-type: none"> 1. Fuse. 2. Brushes worn. 3. Other. 	<ul style="list-style-type: none"> — 15-Amp time delay fuse, or circuit breaker. — See "Maintenance," page 22. — Authorized service.
Brush sparking when switch released	<ol style="list-style-type: none"> 1. Normal—automatic brake working properly. 	

TROUBLE SHOOTING GUIDE - GENERAL

PROBLEM	PROBABLE CAUSE	SUGGESTED CORRECTIVE ACTION
Blade hits table	<ol style="list-style-type: none"> 1. Adjustment of depth stop. 	<ul style="list-style-type: none"> — See "Depth Stop", Step 7, page 11.
Angle of cut not accurate.	<ol style="list-style-type: none"> 1. Misalignment. 	<ul style="list-style-type: none"> — See "Assembly and Alignment", page 9-11.
Can't adjust miter angles.	<ol style="list-style-type: none"> 1. Center bolt too tight. 2. Lubrication dried up. 	<ul style="list-style-type: none"> — Adjust — Clean and re-lubricate between table and base. See "Maintenance Section."
Power-head won't fully rise.	<ol style="list-style-type: none"> 1. Pivot misadjustment. 2. Lubrication dried up. 3. Pivot spring not replaced properly after service. 	<ul style="list-style-type: none"> — See "Assembly and Alignment", Step 6, page 11. — See "Maintenance." — Get authorized Sears Service.
Blade binds, jams, burns wood.	<ol style="list-style-type: none"> 1. Improper operation. 2. Dull blade. 3. Improper blade. 4. Warped blade. 	<ul style="list-style-type: none"> — See "Basic Saw Operation", page 16. — Replace or sharpen blade. — Replace with 8-1/4" diameter blade designed for the material being cut. — Replace blade.
Tool vibrates or shakes.	<ol style="list-style-type: none"> 1. Saw blade not round. 2. Saw blade damaged. 3. Saw blade loose. 4. Other 	<ul style="list-style-type: none"> — Replace blade. — Replace blade. — Tighten arbor screw. — Get authorized Sears Service.

WIRING DIAGRAM

WARNING: For your safety, this miter saw is double insulated. To avoid electrical shock, fire, or injury use only parts identical to those identified in the parts list. Reassemble exactly as originally assembled.



Trouble-shooting Of Brake By Qualified Service Person Only:

1. Unplug the power cord before each step.
2. Install service brushes, especially if a delayed come-in of brake has been noticed before failure.
3. Check brake circuit for continuity: Remove brush caps and brushes. Use ohmmeter to check for continuity from brass brush holder to brush holder. If open, locate exact place using ohmmeter. As indicated by test, tighten a connection or replace field assembly or replace switch.
4. If above tests do not produce a solution, then replace armature assembly.
5. After repair, check direction of rotation of blade vs arrow on guard.

To Prevent Switch Damage When Removing Leads:

Insert .043" dia. music wire or use switch pick available from Lucerne Products, Hudson, Ohio 44236 Telephone No. (216) 653-6661.

CARBIDE TIPPED BLADES

SAFETY INSTRUCTIONS & WARNINGS

OSHA required industrial users to inspect tool prior to mounting for cracks, chipped or bent teeth, or cutting edges that are not sharp. The tool must be completely clean to allow proper inspection.

See CFR § 1910.213

WOODWORKING MACHINERY REQUIREMENTS-ITEM S-7
"All cracked saws shall be removed from service."

Do not operate saw machine without proper saw blade guard in place. Other important instructions and warnings regarding your safety are contained in saw machine owner's manual. If you do not have such a manual, contact the machine manufacturer to obtain one before using the saw machine with this blade.

Carbide is a very hard but brittle material. Care should be taken while mounting, using and storing carbide blades to prevent accidental damage. Slight shocks, such as striking tip during handling, can seriously damage the blade. Foreign objects in the workpiece, such as wire or nails, can also cause tips to crack or break off.

Never use blade on saw machine that will exceed maximum recommended blade R.P.M.

Always wear proper eye protection which complies with current ANSI Standard Z87.1 when using any power tool.

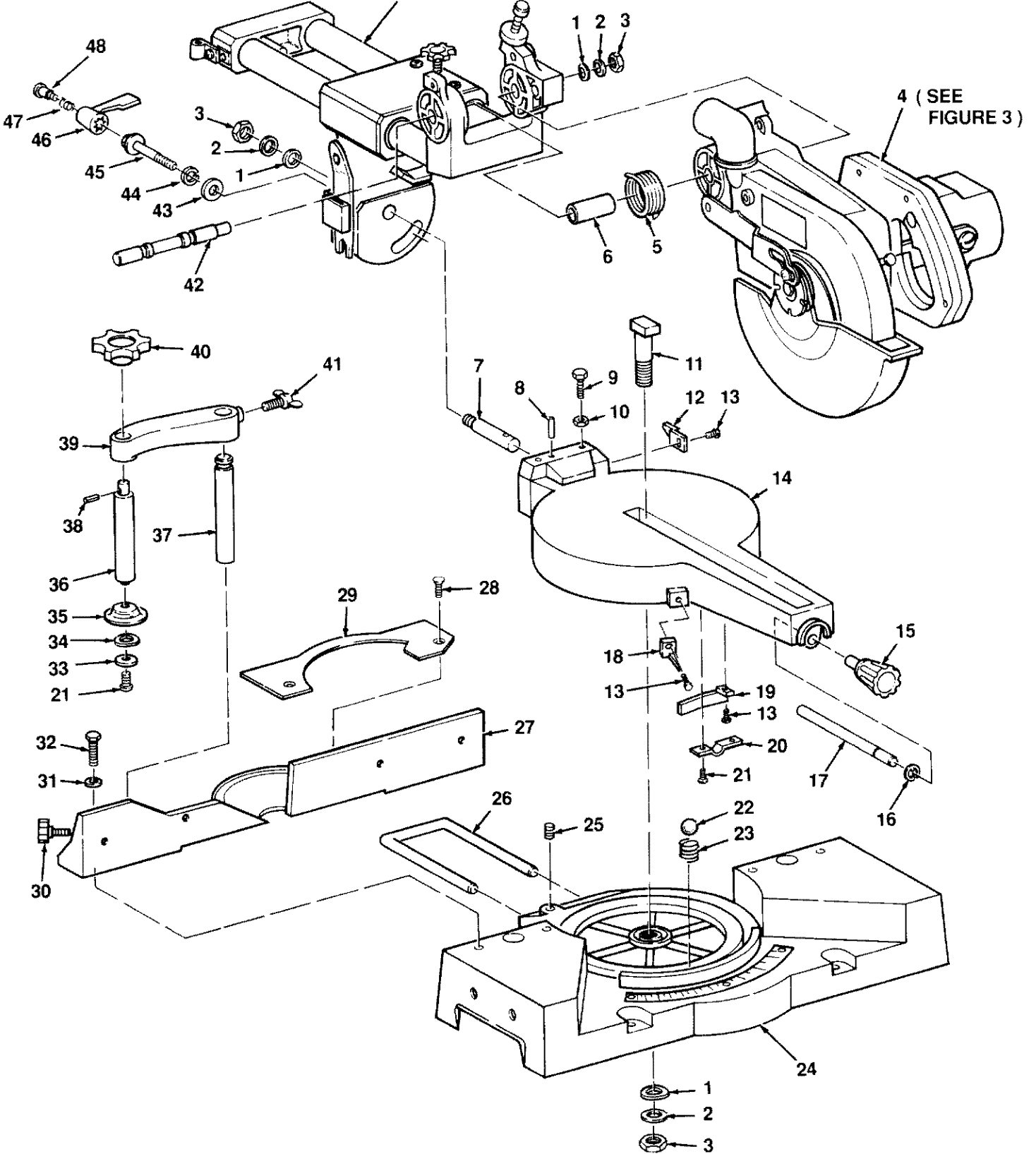
Before using, Always:

- Visually examine blade and tips for cracks breakage, missing or loose tips, or other damage. **DO NOT USE IF DAMAGE IS SUSPECTED.**
- Mount blade securely in proper rotation direction.
- Never leave a running machine unattended.

FAILURE TO HEED THESE INSTRUCTIONS AND WARNINGS REGARDING USE OF THIS PRODUCT CAN RESULT IN SERIOUS BODILY INJURY.

FIGURE 1

49 (SEE FIGURE 2)



repair parts

PARTS LIST FOR 8-1/4-INCH SLIDE COMPOUND MITER SAW

MODEL NO. 113.234880

Always order by Part Number – Not by Key Number

FIGURE 1

Key No.	Part No.	Description
1	819179	Washer, Spring
2	805561-4	Washer, .505 x 13/16 x 1/32
3	818656	▲▲ Nut, Lock M12 x 1.75
4	—	See Figure 3
5	820628	Spring, Torsion
6	820627	Spacer, Tubular Support
7	820646	Shaft, Bevel
8	813249-156	Pin, Roll 6 x 30
9	STD835025	* Screw, Hex M8 x 1.25-32
10	STD840812	* Nut, M8 x 1.25
11	820647	▲▲ Bolt, Shoulder
12	820623	Indicator, Bevel
13	813313-1	Screw, Pan M5 x 0.8-10
14	820640	Table
15	820644	Knob, Miter Lock
16	820632	Ring, Retaining E8
17	820641	Rod
18	820645	Indicator, Miter
19	820643	Shoe, Spring
20	820642	Guide, Rod
21	813313	Screw, Pan M5 x 0.8-8
22	818677	Ball, Index
23	820649	Spring, Detent
24	820735	Base w/Scale
25	818471-4	Screw, Set M6 x 1.0-10
26	820638	Extension

Key No.	Part No.	Description
27	820624	Fence
28	818470-1	Screw, Flat Hd. M5 x 0.8-12
29	820730	Guard, Fence Danger
30	820625	Knob
31	820732	Washer, Flat M8.5 x 16 x 1.2
32	813310-1	Screw, Hex Hd. M8 x 1.25-25
33	STD852005	Lockwasher M5
34	820237-6	Washer, M5 x 11.5 x 1.0
35	820709	Face, Clamp
36	820708	Shaft, Threaded
37	820710	Post
38	813249-80	Pin, Roll 3 x 15
39	820711	Arm, Vise
40	820707	Knob
41	820712	Screw, Wing M6 x 1.0-20
42	820626	Shaft
43	STD851010	* Washer, Flat M 10 x 19 x 2
44	STD852010	* Lockwasher, Split-Ring M10
45	820717	Bolt, Special M10 x 1.5
46	820714	Handle, Lock
47	820715	Spring, Compression
48	820716	Screw, Socket 3mm
49	—	See Figure 2
—	SP5524	Owners Manual (Not Illustrated)

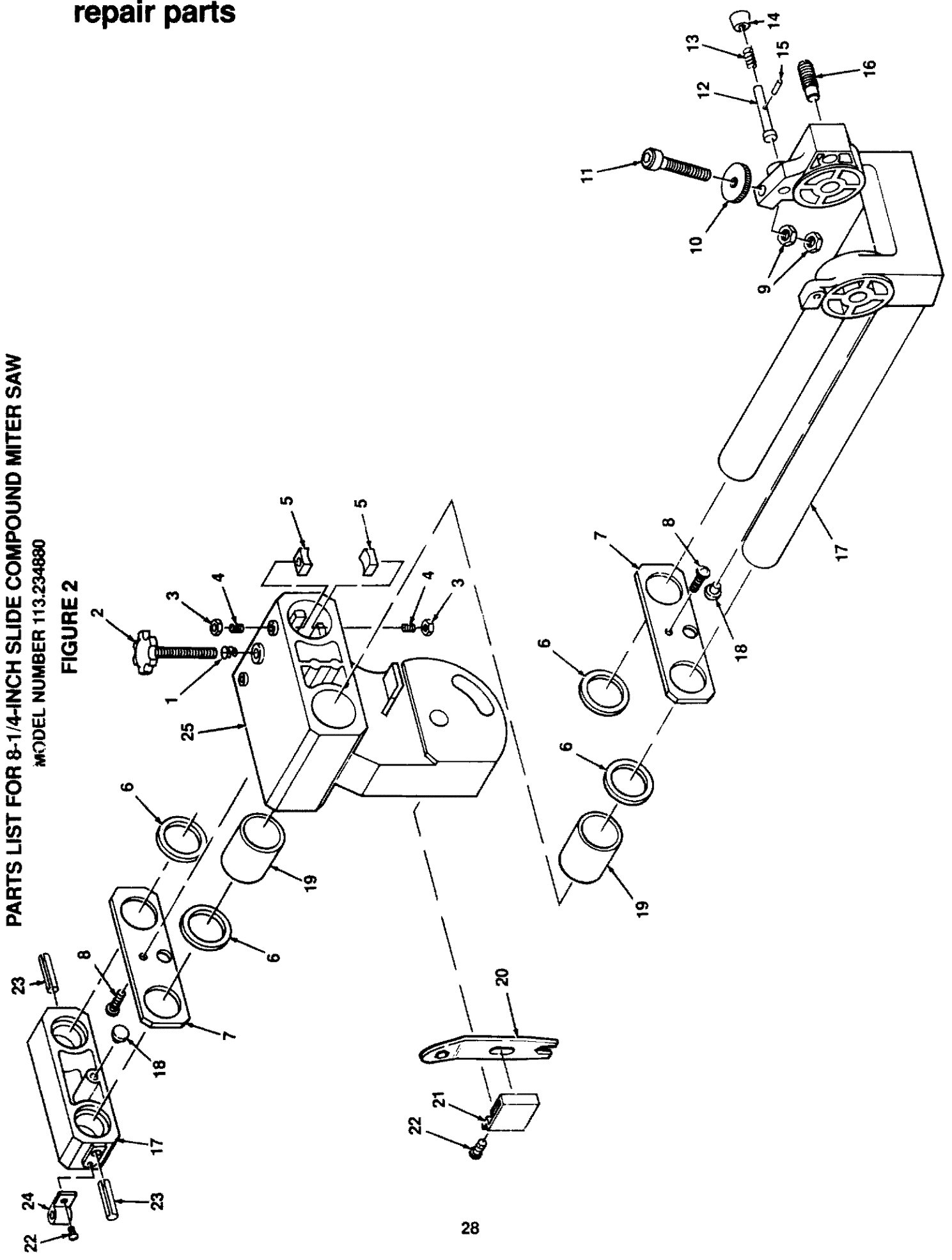
* Standard Hardware Item — May Be Purchased Locally.

▲▲ **WARNING:** These Items Are Important To The Safety Of This Tool. Do Not Substitute Common Parts.

repair parts

PARTS LIST FOR 8-1/4-INCH SLIDE COMPOUND MITER SAW MODEL NUMBER 113.234880

FIGURE 2



PARTS LIST FOR 8-1/4-INCH SLIDE COMPOUND MITER SAW

MODEL NO. 113.234880

Always order by Part Number – Not by Key Number

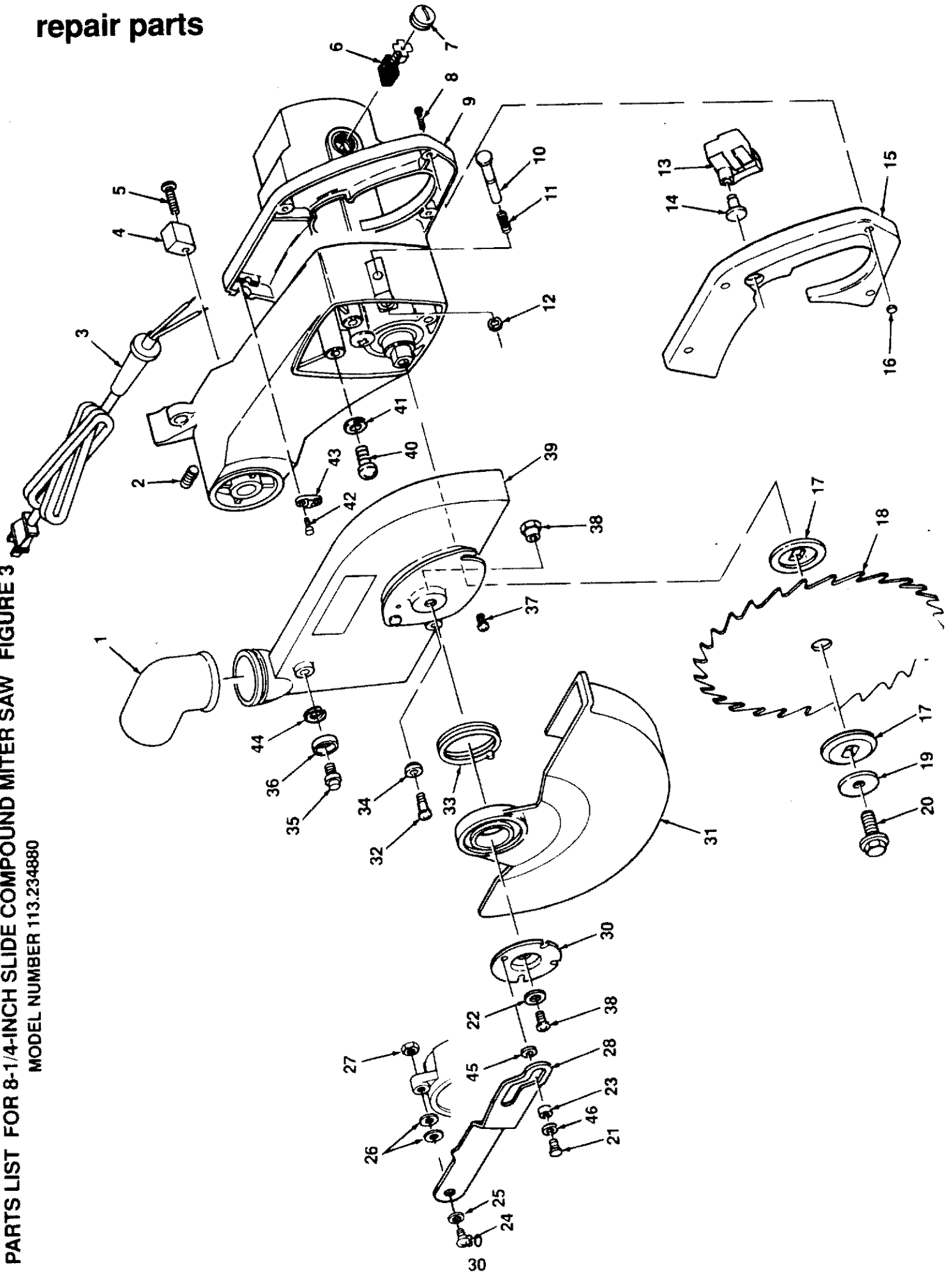
FIGURE 2

Key No.	Part No.	Description	Part No.	Description	
1	820989	Spring, Compression	14	820654	Knob, Latch
2	820625-1	Knob M8 x 1.25-20	15	813249-82	Pin, Roll 3 x 20
3	STD840812	Nut M8 x 1.25	16	820629	Screw, Stop
4	818471-5	Screw, Set M8 x 1.25-20	17	820651	Pivot, Support (Includes Key No.23)
5	820664	Block, Sliding	18	820667	Bumper, Rubber
6	820663	Washer, Felt 26 x 40 x 4	19	820659	Bearing, Linear
7	820665	Plate, Retaining	20	820630	Wrench
8	813313	Screw, Pan Cross M5 x 0.8-8	21	820631	Clip, Wrench
9	820236-8	Nut, Jam M10 x 1.5	22	813313-1	Screw, Pan M5 x 0.8-10
10	820669	Nut, Knurled	23	813249-158	Pin, Roll 6 x 40
11	820655	Screw, Soc Hd. M10 x 1.5-65	24	820633	Clamp, Cord
12	820652	Pin-Latch	25	820734	Pivot w/Scale
13	820653	Spring Latch			

*Standard Hardware Item — May Be Purchased Locally.

repair parts

PARTS LIST FOR 8-1/4-INCH SLIDE COMPOUND MITER SAW FIGURE 3
MODEL NUMBER 113.234880



repair parts

PARTS LIST FOR 8-1/4-INCH SLIDE COMPOUND MITER SAW

MODEL NO. 113.234880

Always order by Part Number – Not by Key Number

FIGURE 3

Key No.	Part No.	Description	Part No.	Description
1	820536	Elbow, Dust	24	Screw, Shoulder M6
2	818471-3	Screw, Set M6 x 1.0-20	25	* Washer M8 X 11 X 0.5
3	820704	Cord w/Plug Guard	26	* Washer 6 X 13 X 0.8MM
4	816668	Cushion	27	* Nut, Jam M6 x 1.0
5	816755-2	Screw, Pan M5 x 0.8-15	28	Link (Includes Key No. 38)
6	820698	Brush	30	Retainer, Guard
7	820699	Cap, Brush	31	Guard, Lower
8	46-57509-3	* Screw, Pan M4 x 0.7-25	32	(Includes Key No. 38)
9	820693	Motor & Arm Assembly	33	Screw, Shoulder
10	820696	Lock, Arbor	34	No. 10-32 x 3/4
11	820697	Spring, Arbor Lock	35	Spring, Guard
12	820632-1	Retaining Ring E5	36	(Includes Key No. 38)
13	508203	Switch (Includes Key No. 14)	37	Sleeve, Rubber
14	818786	Button, Lock	38	Screw, Shoulder
15	820705	Handle, L. H.	39	Bearing, Ball
16	STD840407	* Nut, Hex M4 x 0.7	40	Screw, Pan Cross
17	818671	Blade Collar	41	No. 10-32 x 3/8
18	9-32546	† Blade, 8-1/4	42	Bushing, Hex W/Screw
19	507759	Blade, Washer	43	Guard, Upper
20	816703	(Includes Key No. 17 & 20)	44	Screw, Pan M8 x 1.25 -15
21	820724	Screw, Hex L. H. M8 X 1.25-20	45	* Lockwasher M8
22	805549-24	Screw, Shoulder M5 x 0.8	46	Screw, Pan M4 x 12
		(Includes Key No. 38)		Clamp, Cord
		Washer 13/64 x 1/2 x 1/16		Lockwasher M6
		(Includes Key No. 38)		* Washer 5.5 x 16 x 0.8MM
23	820725	Spacer 7 x 10 x 5		Washer 7.5 x 16 x 0.6MM
		(Includes Key No. 38)		

* Standard Hardware Item — May Be Purchased Locally.

▲ WARNING: These Items Are Important To The Safety Of This Tool. Do Not Substitute Common Parts.

† Stock Item — May Be Secured Through The Hardware Department Of Most Sears Retail Stores Or Catalog Order Houses.

To Prevent Switch Damage When Removing Leads: See Wiring Diagram (Text) on Page 24.

SEARS

owner's manual

SERVICE

**MODEL NO.
113.234880**

**8-¼ INCH
COMPOUND MITER SAW**

IF YOU NEED REPAIR SERVICE OR PARTS:

For Repair Service, Call
this Toll Free Number
1-800-4-REPAIR
(1-800-473-7247)

For Replacement Parts
Information and Ordering,
Call this Toll Free Number:
1-800-FON-PART
(1-800-366-7278)

8¼-INCH SLIDE COMPOUND MITER SAW

Now that you have purchased your 8¼ inch Slide Compound Miter Saw, should a need ever exist for repair parts or service simply contact any Sears Service Center and most Sears, Roebuck and Co. stores. Be sure to provide all pertinent facts when you call or visit.

The model number of your 8¼ inch Compound Miter Saw will be found on a plate attached to the base.

When ordering repair parts, always give the following information:

PART NUMBER	PART DESCRIPTION
MODEL NUMBER 113.234880	NAME OF ITEM 8-¼ Inch Slide Compound Miter Saw

All parts listed may be ordered from any Sears Service Center and most Sears stores. If the parts you need are not stocked locally, your order will be electronically transmitted to a Sears Repair Parts Distribution Center for handling.

Sold by SEARS, ROEBUCK AND CO., Chicago, IL 60684 U.S.A.