

# Karran<sup>®</sup>

---

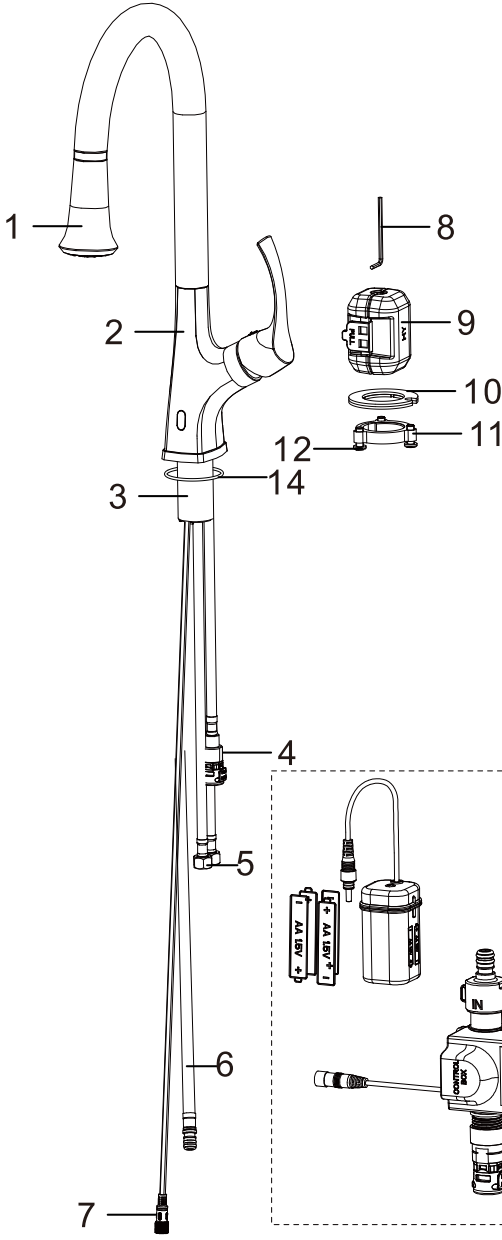
## INSTALLATION GUIDE



### Chantilly

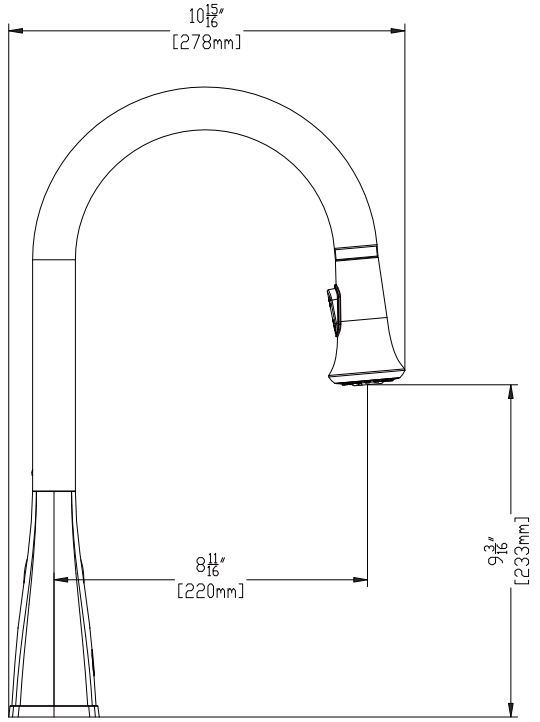
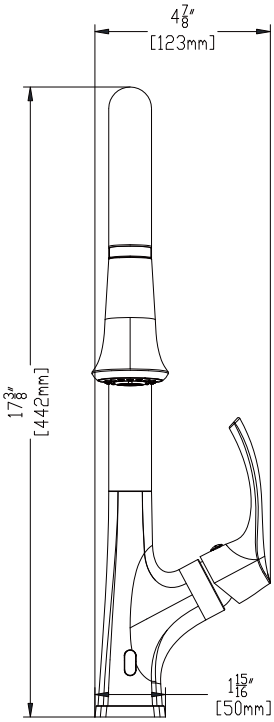
**Models:**   KKF375GG   KKF375MB  
              KKF375SS   KKF375BG





|    |                       |
|----|-----------------------|
| 1  | Spray Head            |
| 2  | Faucet Body           |
| 3  | Threaded Sleeve       |
| 4  | Quick Connector       |
| 5  | Supply Lines          |
| 6  | Spray Hose            |
| 7  | Sensor Line           |
| 8  | Hex Wrench            |
| 9  | Weight                |
| 10 | Rubber & Metal Washer |
| 11 | Mounting Nut          |
| 12 | Mounting Screws       |
| 13 | Control Box           |
| 14 | O-ring                |

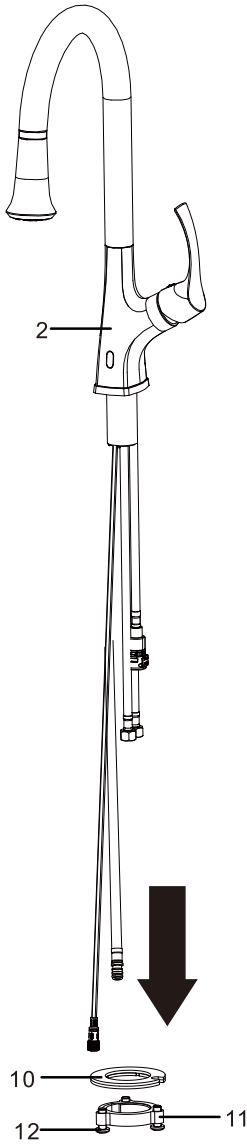




# INSTALLATION GUIDE

## STEP 1

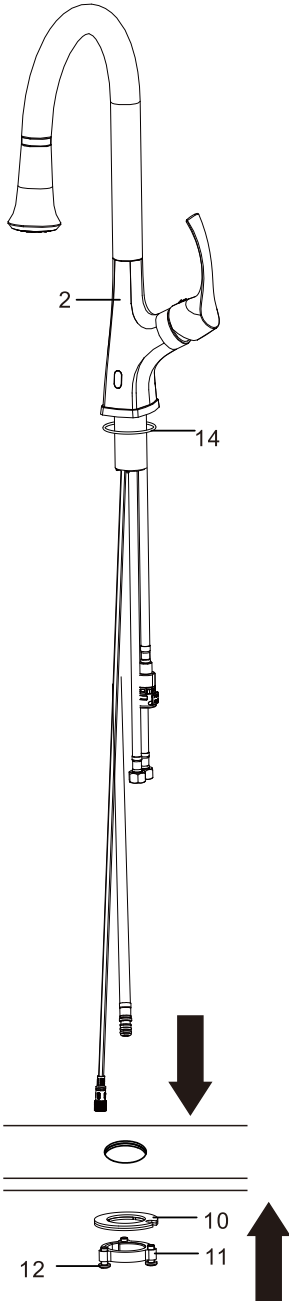
1. Remove the mounting nut (#11), rubber&metal washer (#10) from the faucet body (#2).



# INSTALLATION GUIDE

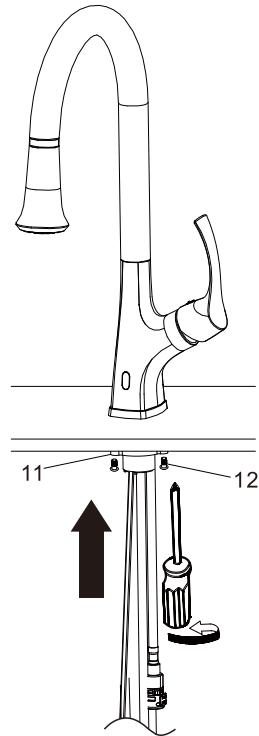
## STEP 2

2. Insert the main body into the hole with the o-ring (#14), refix the rubber&metal washer (#10) and mounting nut (#11).

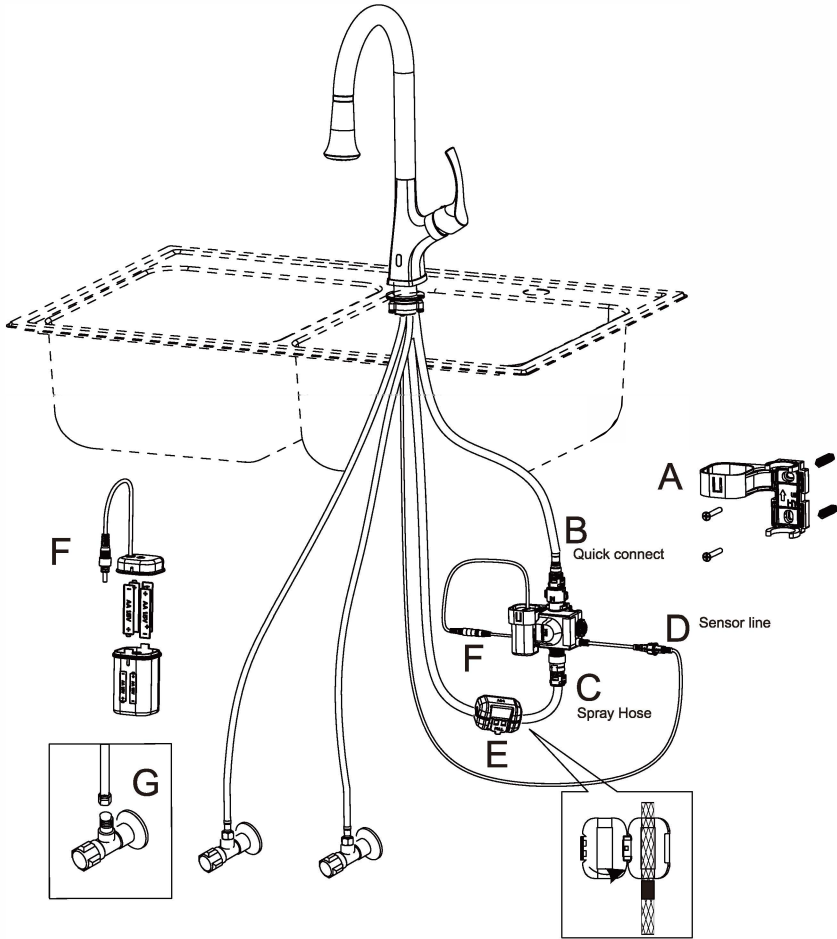


## STEP 3

3. After adjusting the direction of the main body, tighten the mounting nut (#11) with hands and tighten the mounting screws (#12) with a Philips screwdriver.



# INSTALLATION GUIDE



A. Fix the control box holder to the wall with the screws provided (part A in the picture). Then attached the control box to the holder.

B. Insert the quick-connect to the control box (part B in the picture).

C. Connect the spray hose to control box (part C in the picture).

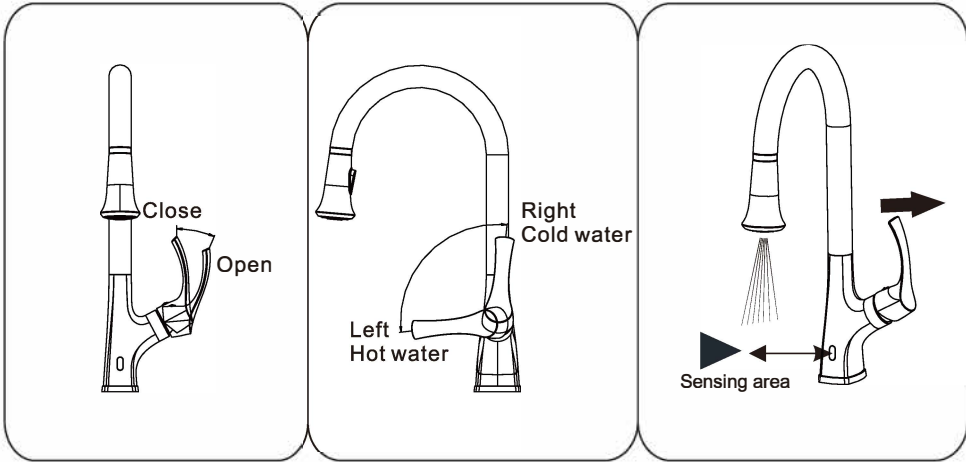
D. Connect the sensor line to control box (part D in the picture).

E. Attach the weight to the spray hose (part E in the picture).

F. Put the batteries purchased from store into the battery holder correctly. Insert the battery pack into the holder on the wall. Then connect the battery line to the control box (Part F in the picture).

G. Connect the supply lines to water supplies (Part G in the picture).

## How to operate the handle:

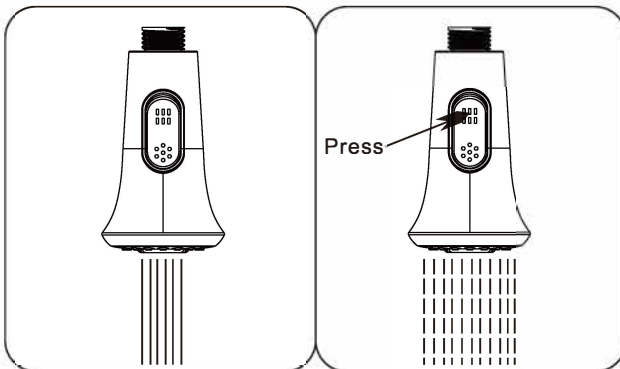


1. Open the handle lever to turn water on. Push to turn off.
2. Turn the handle lever to the left to increase hot water flow with higher water temperature. Lower the water temperature by operating reversely.

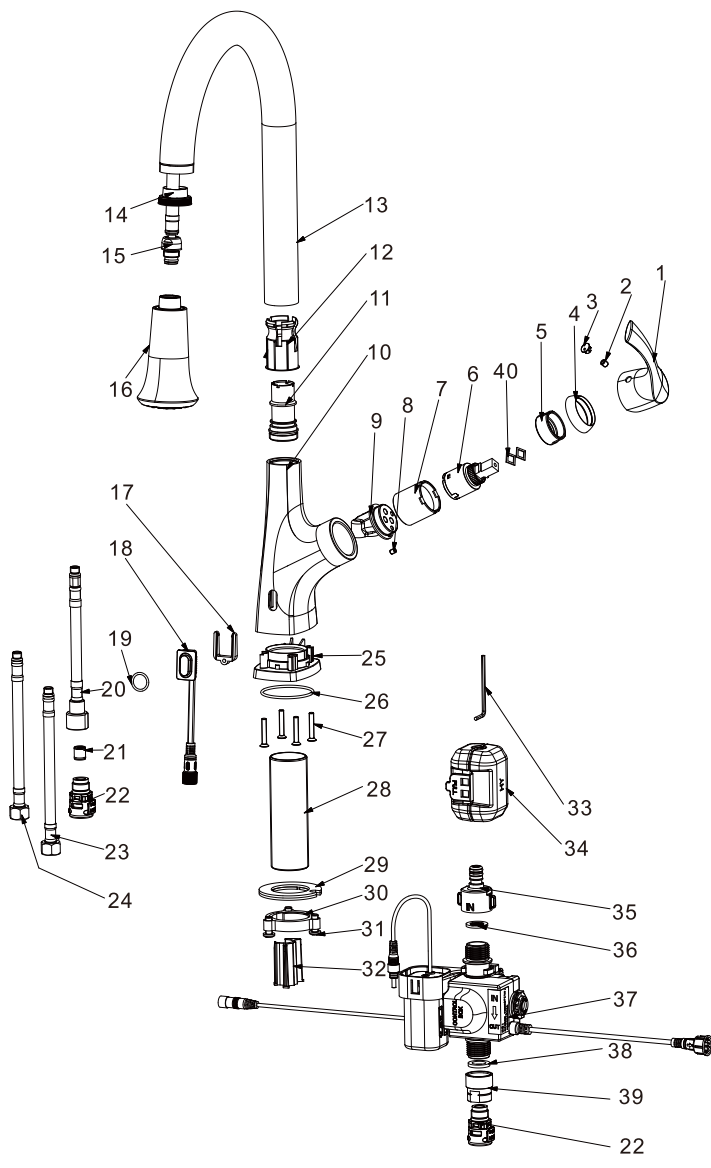
## Spray

The operation of the spray diverter:

1. The default mode is aerated flow.
2. By pressing the button, it will switch to spray mode. After the faucet is closed, it will return back to aerated flow.



# REPLACEMENT PARTS



| No. | Description           | Finish/Color   | Item No.     |
|-----|-----------------------|----------------|--------------|
| 1   | Handle                | GG, MB, SS, BG | 50P35/VKW2   |
| 2   | Screw                 |                | 8EM5X5       |
| 3   | Index                 | GG, MB, SS, BG | 80N81051     |
| 4   | Trim Cap              | GG, MB, SS, BG | 5ZG569058    |
| 5   | Lock Nut              |                | 5YG569U05    |
| 6   | Cartridge             |                | J10250M200   |
| 7   | Cartridge Hosing      |                | 52T569100    |
| 8   | Screw                 |                | 8EM4X5       |
| 9   | Cartridge Seat        |                | 51T569U05DQ  |
| 10  | Body                  | GG, MB, SS, BG | 50T569U05    |
| 11  | Connector             |                | 5YJ569100    |
| 12  | Wear Reducing Sleeve  |                | 5SJ569100    |
| 13  | Spout                 | GG, MB, SS, BG | 50G569U05    |
| 14  | Sprayer Sleeve        |                | 4SJ569178    |
| 15  | Spray Hose            |                | H569177      |
| 16  | Spray                 | GG, MB, SS, BG | F2595B       |
| 17  | Snap Ring             |                | 5SJ569X88    |
| 18  | Induction Joint       |                | 7G1569X88    |
| 19  | O-ring                |                | 8J168X18A    |
| 20  | Hose                  |                | G15603SR00   |
| 21  | Check Valve           |                | J92031NP3    |
| 22  | Quick Connector       |                | JT56226      |
| 23  | Supply Line           |                | G69703NP01   |
| 24  | Supply Line           |                | G69703NP00   |
| 25  | Base                  | GG, MB, SS, BG | 5DZ569U05    |
| 26  | O-ring                |                | 8J47X2A      |
| 27  | Screw                 |                | 8DM4X25A     |
| 28  | Threaded Sleeve       |                | 82T16W27EC00 |
| 29  | Rubber & Metal Washer |                | N56U26       |
| 30  | Mounting Nut          |                | 8NM56Z55     |
| 31  | Mounting Screw        |                | 8RM6X15      |
| 32  | Pull-out Protector    |                | 7HT569149    |
| 33  | Hex Wrench            |                | 8BS25        |
| 34  | Weight                |                | 5QQ569113    |
| 35  | Connector             |                | A1569X88     |
| 36  | Washer                |                | 8XJ1A200D    |
| 37  | Control Box           |                | DSA569X50    |
| 38  | Washer                |                | 8J19X12X25A  |
| 39  | Connector             |                | 7JT569X54DQ  |
| 40  | Washer                |                | 8SJ10351     |

\*Denotes faucet component color options:

GG - Gunmetal Grey  
 MB - Matte Black  
 SS - Stainless Steel  
 BG - Brushed Gold