

# SEARS Owner's Manual



## BOTTOM FREEZER REFRIGERATOR

Model Nos: 67272, 67277, 67275 77272, 77277, 77275, 68142, 68147



(Model 67272 shown)

### CAUTION:

Read and follow all safety rules and operating instructions before first use of this product

- Safety Instructions
- Installation Information
- Operating Instructions
- Care and Cleaning
- Troubleshooting
- Español
- Français

Sears, Roebuck and Co., Hoffman Estates, IL 60179 U.S.A.

## Electrical Requirements



Recognize this symbol as a safety precaution.

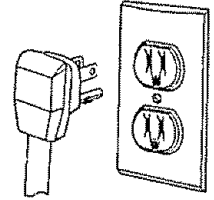


### WARNING

**Electrical Grounding Instructions** — This refrigerator is equipped with a three-prong (grounding) plug for protection against possible shock hazards. If you encounter a two-prong receptacle, contact a qualified electrician and have the two-prong wall receptacle replaced with a properly grounded three-prong wall receptacle in accordance with the National Electrical Code.

Refrigerator is designed to operate on a separate 103 to 126 volt, 15 amp., 60 cycle line.

**Do not under any circumstances cut or remove the round grounding prong from the plug. Refrigerator must be grounded at all times. Do not remove warning tag from power cord.**



### WARNING

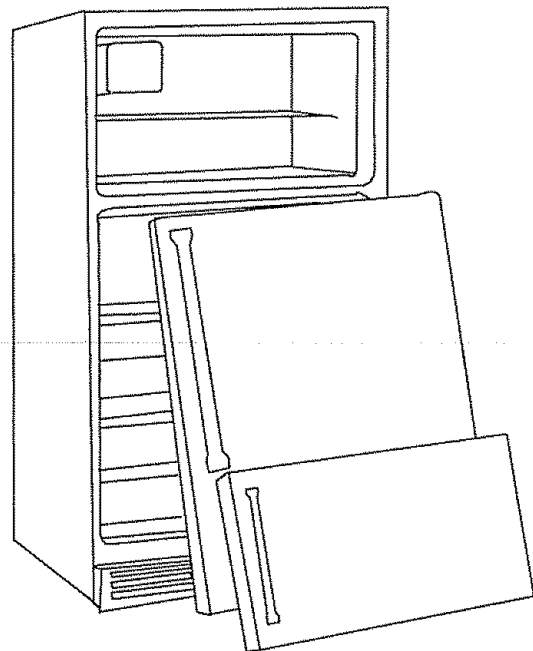
**Do not use a two-prong adapter. Do not use an extension cord.**

## Proper Disposal of Your Refrigerator

**IMPORTANT:** Child entrapment and suffocation are not problems of the past. Junked or abandoned refrigerators are still dangerous—even if they will sit for "just a few days." If you discard an old refrigerator, please follow the instructions below to help prevent accidents.

### BEFORE YOU THROW AWAY YOUR OLD REFRIGERATOR OR FREEZER:

- Take off the doors.
- Leave the shelves in place so that children may not easily climb inside.



# Contents

Electrical Requirements .....	2
Proper Disposal of Your Refrigerator .....	2
Installation Checklist .....	3
Installation Instructions .....	4
Space Requirements .....	4
Leveling Refrigerator .....	4
Door Reversal .....	4
Connect ice maker water supply line (some models) .....	6
Controls .....	7
Refrigerator and Freezer Controls .....	7
Setting Controls .....	7
Refrigerator Features .....	8
Refrigerator Shelves .....	8
Crisper Drawers .....	8
Temperature Controlled Meat Drawer (some models) .....	9
Bottle Rack (some models) .....	10
Covered Utility Bin (some models) .....	10
Dairy Compartments (some models) .....	10
Door Buckets .....	10
Tall Package Retainer .....	11
Door Shelves .....	11
Adjustable Divider (some models) .....	11
Bottle Holder .....	11
Freezer Features .....	12
Frost-Free System .....	12
Automatic Ice Maker (some models) .....	12
Ice Service Rack .....	12
Wire Shelf .....	13
Wire Basket .....	13
Ice Bin .....	13
Care and Cleaning .....	14
General Cleaning .....	14
Adhesives .....	14
Door Gaskets .....	14
Condenser Coils .....	14
Glass Shelves .....	14
Odor Removal .....	14
Light Bulb Replacement .....	15
Vacation Tips .....	15
Energy Tips .....	15
Normal Operating Sounds .....	16
Before Calling For Service .....	17
Warranty .....	19
Espanol .....	21
Fancais .....	42

## Installation Checklist

Verify the following has been completed to ensure proper operation of your refrigerator.

### Doors

- Handles are solidly attached
- Handle side of door is  $\frac{1}{8}$ " higher than hinge side of door. (See installation instructions page 6.)
- Doors seal completely to refrigerator cabinet.

### Leveling

- Refrigerator is tilted  $\frac{1}{4}$ " (6 mm) from front to rear and level side to side.

### Ice Maker (some models)

- Water supply to refrigerator is attached and turned on.
- Water leaks are not present at connection between household water supply and refrigerator. (After 24 hours check connection for water leaks.)
- Ice maker arm is in on position for ice production. (It may take up to 24 hours for first harvest of ice.)

### Electrical

- Properly ground 3-prong wall receptacle is used to plug in refrigerator.

## Read and Save These Instructions

Record in the space provided below the model and serial numbers found on the serial plate located on the top left wall of the refrigerator compartment.

Model Number: \_\_\_\_\_

Serial Number: \_\_\_\_\_

Purchase Date: \_\_\_\_\_

### Note

Translation may sometimes cause variations in meaning. In all cases where meaning varies, the most accurate meaning will be the English version of this document.

## Installation Instructions

Proper installation will ensure this refrigerator operates most efficiently.

### Space Requirements



**WARNING:** Keep flammable materials and vapors, such as gasoline, away from refrigerator. Failure to do so can result in death, explosion, fire, or burns.

- To ensure proper ventilation for your refrigerator, allow for a 1" (2.5 cm) space at the top of your refrigerator.
- If your refrigerator has an ice maker, make sure you leave some extra space at the back to allow for the water line connection. The refrigerator can be flush with the back wall if you do not have an ice maker installed.
- If you are installing your refrigerator next to a fixed wall, leave 2 1/2" minimum on each side (depending on your model) to allow for the door to swing open 90°.

**NOTE:** Do not install the refrigerator near an oven, radiator, or other heat source, nor in a location where the temperature will fall below 55°F (13°C).

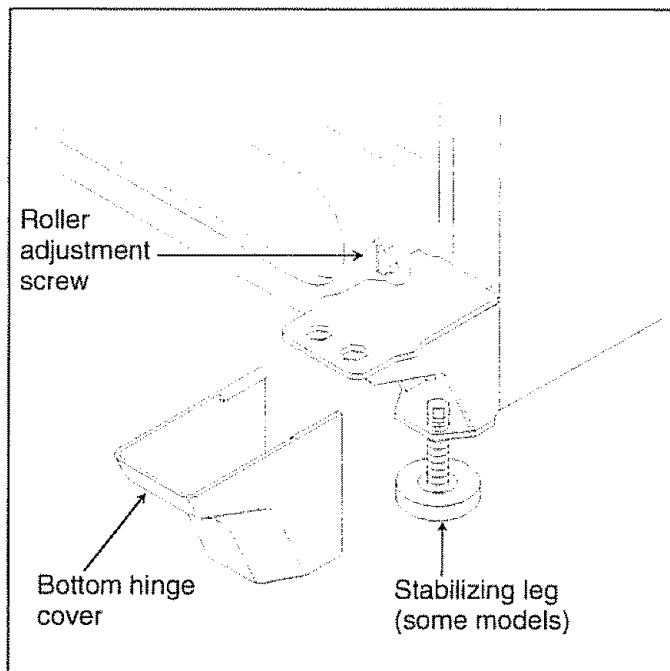
### Leveling Refrigerator

Some installations may require door reversal to achieve full door swing. If so proceed to "Door Reversal" section before leveling your refrigerator.

If your refrigerator requires ice maker water supply connection, proceed to "Connect ice maker water supply" section on page 6 prior to leveling your refrigerator.

1. Plug in power cord.
2. Move refrigerator into final location.
3. Level refrigerator using a level placed on top of the refrigerator.
  - Remove toe grille. Remove bottom hinge cover if refrigerator has a stabilizing leg.
  - Turn roller adjustment screws to raise or lower refrigerator cabinet. Front of refrigerator must be 1/4" (6 mm), or 1/2" bubble on your level, higher than the back of your refrigerator.
  - Make sure refrigerator cabinet is level from side to side by adjusting left and right roller adjustment screw.

- Turn stabilizing leg (some models) clockwise until firmly against floor.



### Door Reversal



**CAUTION:** Protect soft vinyl or other flooring with cardboard, rugs or other protective material to avoid property damage.

Some installations may require door reversal to achieve full door swing. To reverse door swing direction perform the following steps:

#### Tools Required

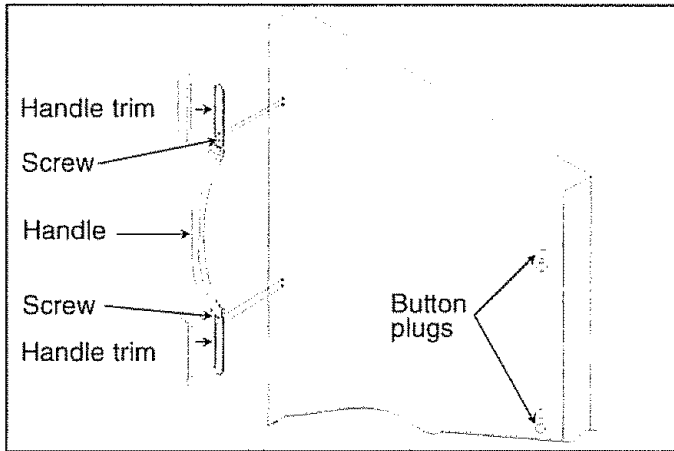
Putty knife (blade covered by masking tape)  
5/16" hex nut driver  
3/8" hex nut driver  
Phillips screwdriver  
Blade screwdriver

1. Remove and reverse refrigerator handle.

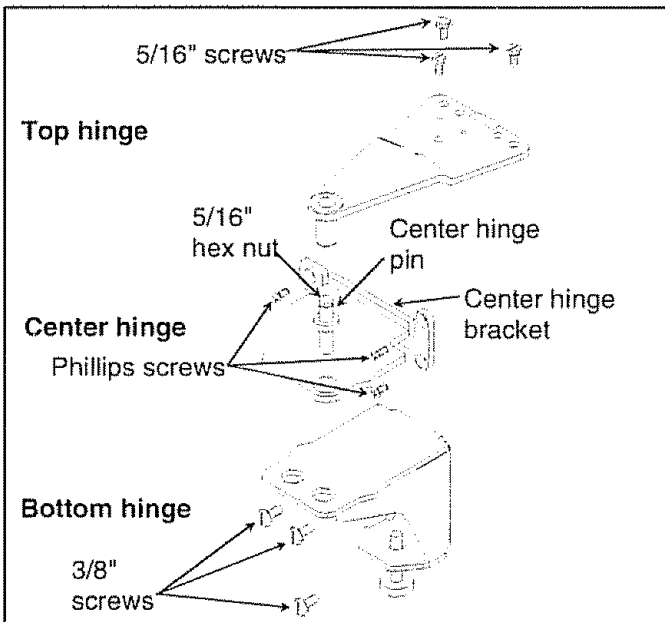
**IMPORTANT:** To prevent scratching of refrigerator surfaces, blade of screwdriver and putty knife called for in steps below **must be covered with masking tape.**

- Pry up edge of handle trim using a putty knife with the blade covered with masking tape. Remove handle from door by removing 4 mounting screws at each end of handle.
- Pry 4 button plugs from hinge side of door with putty knife, blade covered with masking tape. Mount handle on opposite side of door using mounting screws removed in previous step. If cabinet plug has a phillips type head use a phillips screwdriver to remove cabinet plug.

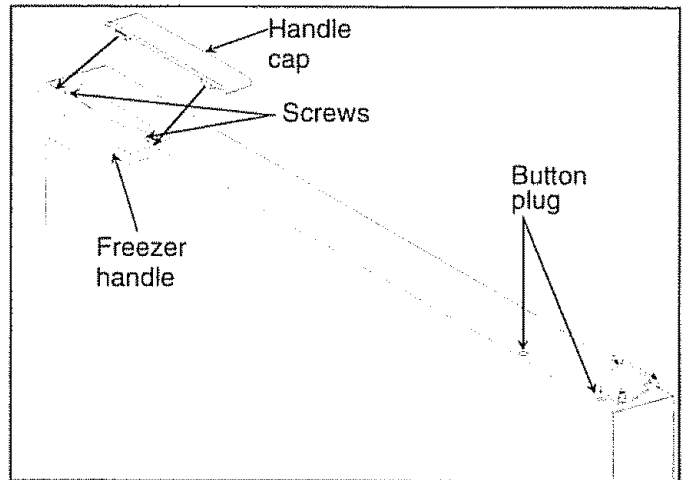
- Snap handle trim into place. Replace 4 button plugs in empty mounting holes.



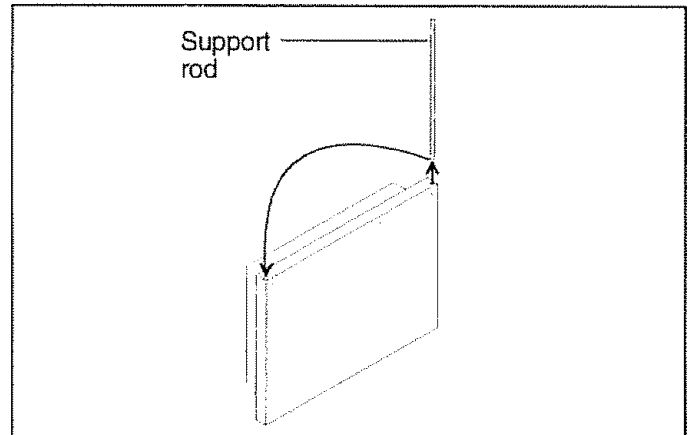
2. Remove top hinge cover. Top hinge cover snaps off. Remove top hinge and hinge shim using hex nut driver.
3. Remove refrigerator door by lifting off of center hinge pin.
4. Remove center hinge pin using hex nut driver.
5. Remove freezer door by lifting door off bottom hinge. An internal support rod may slide out of hinge socket. Replace rod before hanging door.
6. Remove center hinge bracket and hinge shim using Phillips screwdriver.
7. Remove toe grille and bottom hinge cover. Both snap off.
8. Remove bottom hinge and hinge shim using hex nut driver.



9. Remove freezer door handle.
  - Pry up back edge of handle cap using a putty knife with the blade covered in masking tape. Remove handle cap from handle. Remove handle from door by removing mounting screw at each side of handle.
  - Pry two button plugs from hinge side of door using a putty knife with the blade covered in masking tape.

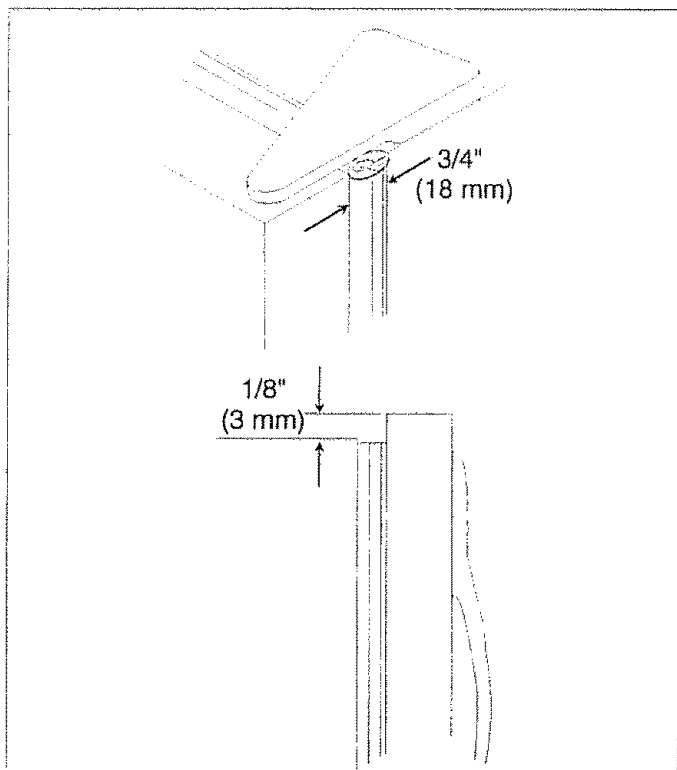


10. Reverse doors as necessary by performing the following steps:
  - Remove button plugs from opposite side of refrigerator cabinet using putty knife covered with masking tape. Insert button plugs in holes left from hinge removal.
  - Replace internal support rod in hinge side of freezer door prior to hanging door.



11. Rehang doors by replacing bottom, center, and top hinges, along with freezer and refrigerator doors on opposite side of refrigerator performing steps 2–8 in reverse order.
  - Use a penny at top to space door  $\frac{3}{4}$ " (18 mm) from cabinet.

- Handle side of door should be approximately 1/8" (3 mm) higher than hinge side. Door will become level when it is loaded with food.



12. Mount freezer handle to opposite side of door using mounting screws removed in previous step.
  - Angle front edge of handle cap downward toward back lip of freezer handle. Verify bottom tab on freezer cap slides under rear lip of freezer handle. Snap rear edge of handle cap in place. Place 2 button plugs in empty mounting holes.

### Connect ice maker water supply line (some models).

**WARNING:** To avoid electrical shock which can cause severe personal injury or death. Disconnect power to refrigerator before connecting water supply

**CAUTION:** Observe the following to avoid property damage:

- Make sure water pressure to water valve is between 20 and 100 pounds per square inch.
- Tighten adapter fitting and nuts with pliers and wrenches. **Do not overtighten.**
- Check for water leaks and correct if necessary before returning refrigerator to normal location. After 24 hours check again for leaks.

### Important

- Before connecting water supply, contact a plumber to connect copper tubing to household plumbing in compliance with local codes and ordinances.
- DO NOT use piercing type or 3/16" saddle valves! Both reduce water flow, become clogged with time and in addition may cause leaks if repair is attempted. The correct type of shut-off valve requires a 1/4" hole to be drilled in the water supply pipe prior to valve attachment.
- Do not install copper tubing in area where temperatures drop below 32° (0°).

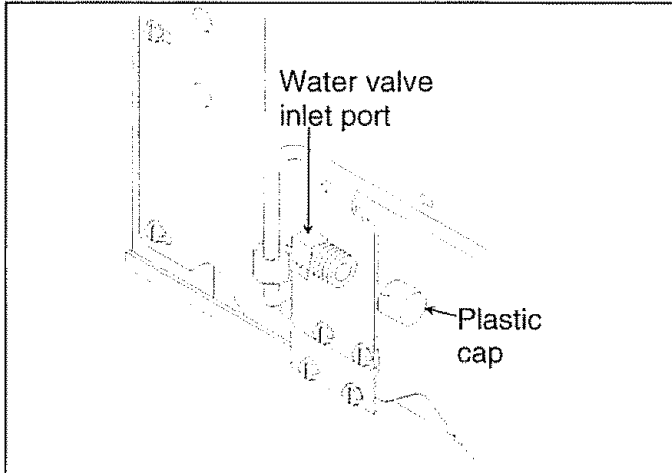
### Materials Required

1/4" O.D. (6 mm) flexible copper tubing is required. Length of copper tubing must reach from water supply connection to water valve inlet port on back of refrigerator, plus additional 8 ft. (2 m) of tubing for a service loop. A service loop will allow refrigerator to be pulled away from the wall without disconnecting tubing.

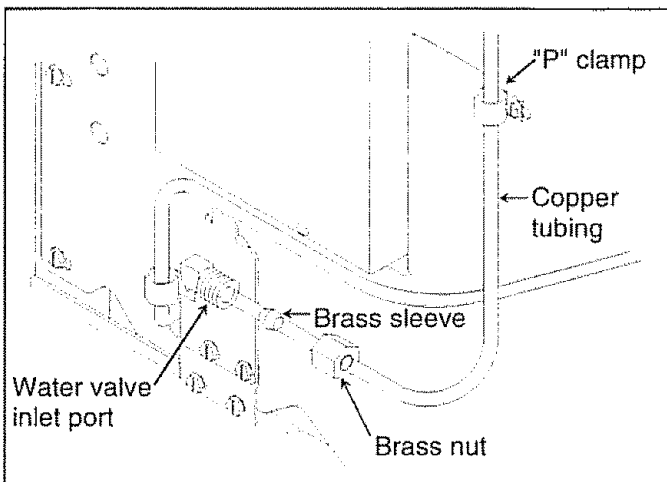
### Procedure

1. Remove plastic cap from water valve inlet port.

## Controls



2. Place brass nut and brass sleeve on copper tubing. (Brass nut and sleeve are found in your literature packet.) Insert copper tubing into water valve inlet port. Connect brass nut on copper tubing to water valve inlet port. Make sure copper tubing is secure by pulling on copper tubing.

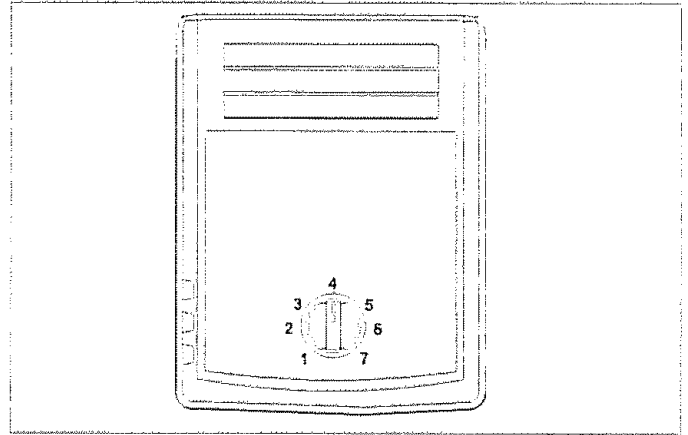


3. Turn on water supply to refrigerator and check for leaks. Correct any leaks at connection. Be careful not to overtighten connection.
4. Create a service loop using extreme care to avoid kinks. Secure copper tubing to refrigerator cabinet with a "P" clamp. It is important to secure copper tubing to refrigerator to avoid leaks when pushing refrigerator back into opening.

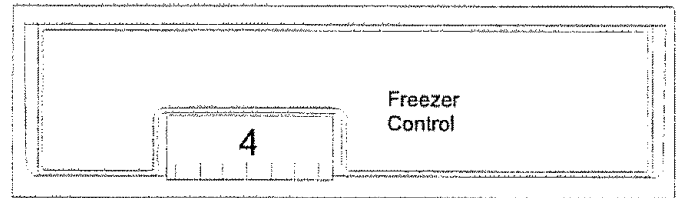
This refrigerator is designed to operate at normal household temperatures of 55° to 110°F (13° to 43°C).

### Refrigerator and Freezer Controls

Refrigerator control is located on upper rear wall of refrigerator section.



Freezer control is located on left front ceiling of freezer section.



### Setting Controls

When freezer control is set to *OFF*, neither refrigerator nor freezer sections will cool. Initially, set both controls to 4. Wait 24 hours for refrigerator and freezer sections to stabilize temperatures. After 24 hours, adjust controls, one number at a time, as desired. 1 is warmest setting and 7 is coldest.

Set controls precisely using a household thermometer with a temperature range between -5° to 50°F (-21° to 10°C).


Put thermometer snugly between frozen packages in freezer section. Wait 5–8 hours. If freezer temperature is not 0° to 2°F (-17° to -16°C), adjust freezer control 1 number at a time. Check again after 5–8 hours.


Put thermometer in a glass of water in middle of refrigerator section. Wait 5–8 hours. If refrigerator temperature is not 38° to 40°F (3° to 4°C), adjust refrigerator control 1 number at a time. Check again after 5–8 hours.

# Refrigerator Features

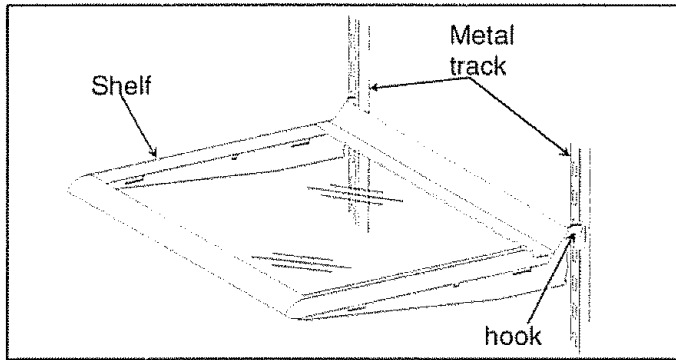
## Refrigerator Shelves

Shelves adjust to meet individual storage needs. Some models feature spill-saving shelves and slide out shelves. Spill-saving shelves hold minor spills for easier cleaning.

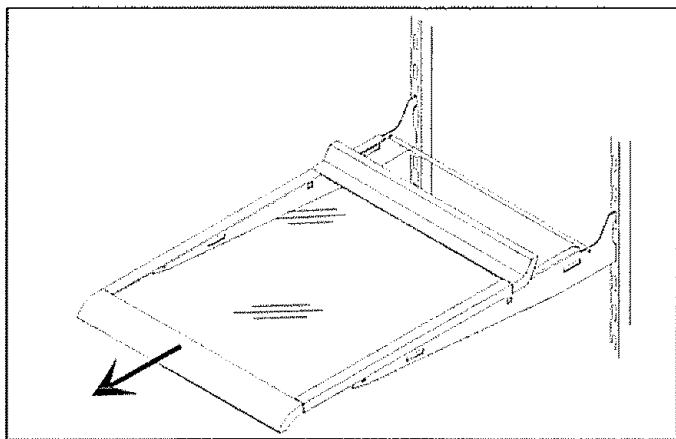
 **CAUTION:** Make sure shelf is secure before replacing items on shelf to avoid property damage

 **CAUTION:** Handle tempered glass shelves carefully to avoid personal injury or property damage. Shelves may break suddenly if nicked, scratched, or exposed to sudden temperature change.

- Remove shelves by lifting up shelf front, releasing hooks from metal track, then pulling out.
- Replace shelves by inserting hooks into metal track and lowering front of shelf.



Slide out shelves pull forward for easy access to items in back.




## Crisper Drawers

Crisper drawers keep produce fresh longer. Wrap produce tightly. Do not wash produce before placing in crispers. Excess moisture could cause produce to spoil prematurely. Do not line crispers with paper towels. Paper towels retain moisture.

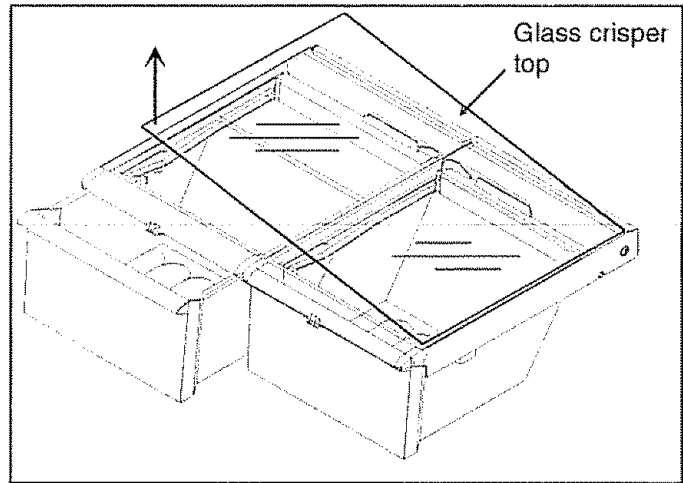
Crisper control is located below front shelf trim. Control adjusts humidity in crisper drawers. Slide control to *high* for produce with leaves such as lettuce, spinach or cabbage. Slide control to *low* for produce with skins such as cauliflower, corn or tomatoes.

Remove shelf and crisper drawers by completing the following steps:

1. Open left crisper.
  - For doors hinged on left, open right crisper.

 **CAUTION:** Handle tempered glass shelves carefully to avoid personal injury or property damage. Shelves may break suddenly if nicked, scratched, or exposed to sudden temperature change.

2. Remove glass crisper top by gently pushing up from underneath. Tilt one end up and pull out.



3. Remove left crisper by lifting from front while supporting underneath and pulling out. For doors hinged on left, remove right crisper.
4. Remove support post at recess in bottom center of Fresh Food section.
5. Remove other crisper by sliding to opposite wall. Lift from front while supporting underneath and pull out.
6. Replace crispers and shelf by performing steps 2–5 in reverse order.

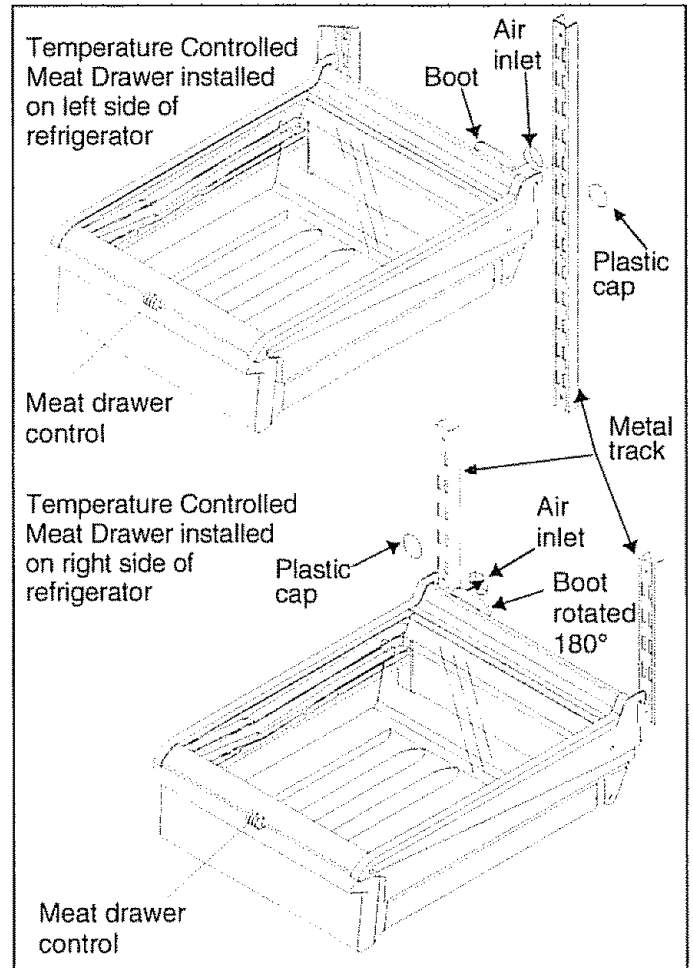
## Temperature Controlled Meat Drawer (some models)

The temperature controlled meat drawer features a drawer inside a sleeve. Freezer air circulates between drawer and sleeve. This systems keeps food fresh longer and up to 5°F (3°C) colder than refrigerator temperature.

Temperature controlled meat drawer control is located below front shelf trim. Control adjusts amount of air circulating around drawer. Slide control to *COLD* for normal refrigerator temperature and to *COLDER* for colder temperature. Ice crystals may form on drawer or food on *COLDER* setting. Cold air entering the meat drawer can decrease refrigerator temperature. Refrigerator control may need to be adjusted to a lower number to compensate for colder air.

Temperature controlled meat drawer can be moved from the left to the right side of the refrigerator compartment to accomodate different storage needs. To move drawer perform the following steps:

1. Remove drawer by lifting and pulling out. Remove shelf by lifting from front, releasing hooks from metal track, then pulling out.
2. Remove plastic cap from back wall of refrigerator section by placing a knife covered with masking tape underneath cap and pulling forward.

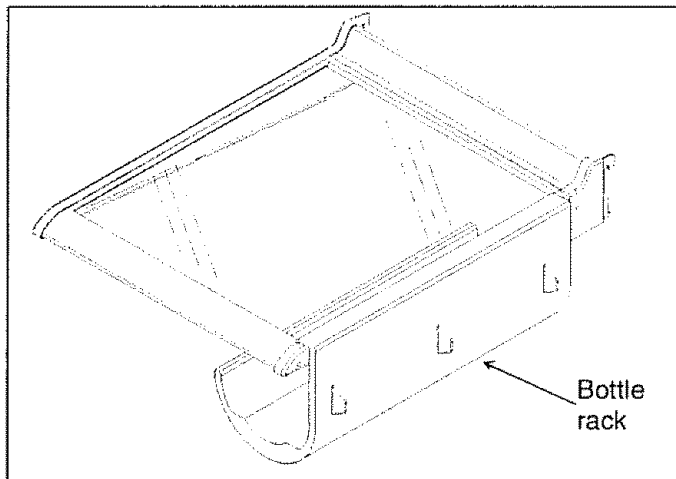


3. Rotate boot 180° to opposite side.
4. Insert plastic cap in opposite side of Fresh Food section. Confirm cap is snugly in place. Cold air may cause food to freeze if cap is not replaced.
5. Replace shelf by inserting hooks into metal track and lowering the front. Use slots 4 through 6 only.
6. Replace drawer by sliding in. Make sure boot fits snugly over air inlet in back wall.

### Bottle Rack (some models)

Bottle rack provides convenient storage for a large bottle, eggs, etc.

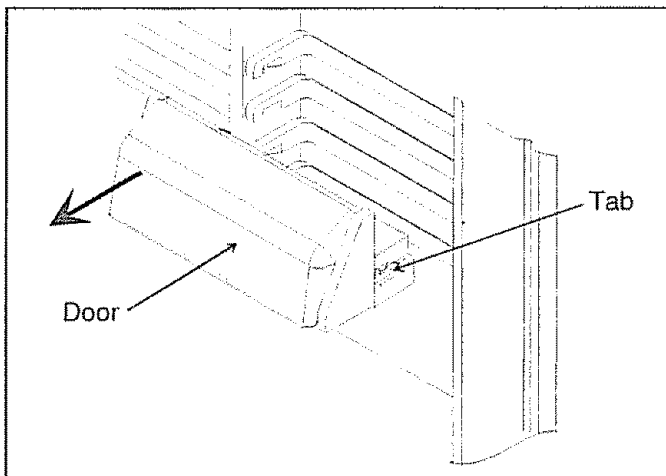
- Hang rack by hooking over side of shelf.



### Dairy Compartment (some models)

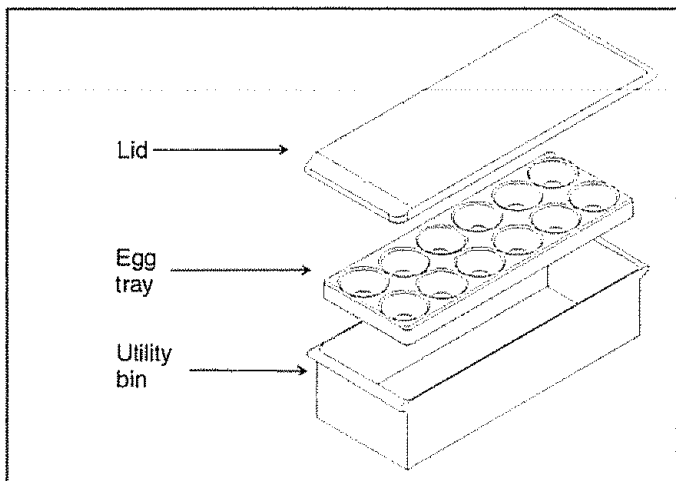
Dairy compartment provide convenient storage for butter, cheese, etc.

- Remove dairy compartment by lifting door, pushing tabs of shelf down on both sides, and pulling out.
- Replace dairy compartments by sliding in until tabs lock into place, then lower door.



### Covered Utility Bin (some models)

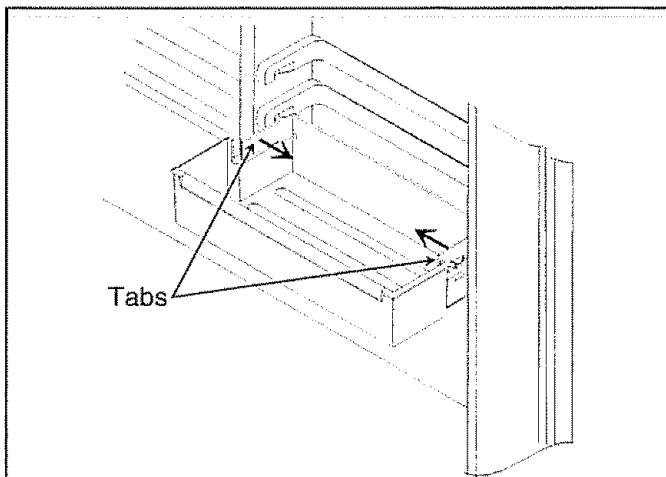
The utility bin has a lid and removable egg tray. When tray is removed, bucket will accept standard egg carton, ice, etc.



### Door Buckets

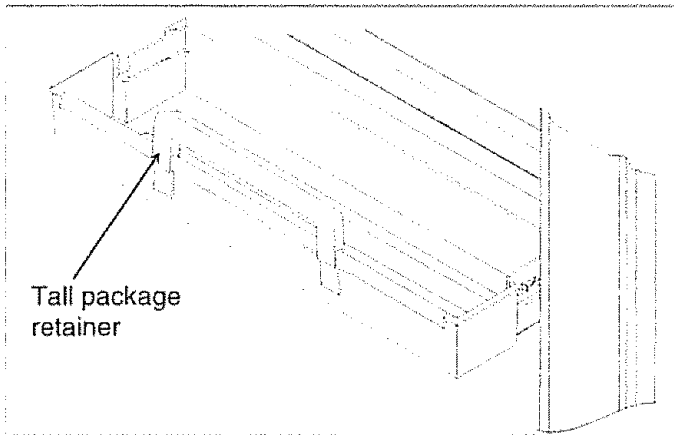
Door buckets adjust to meet individual storage needs.

- Remove door buckets by pushing tabs on both sides of shelves toward center and pulling bucket out.
- Replace door buckets by sliding in until tabs lock into place.



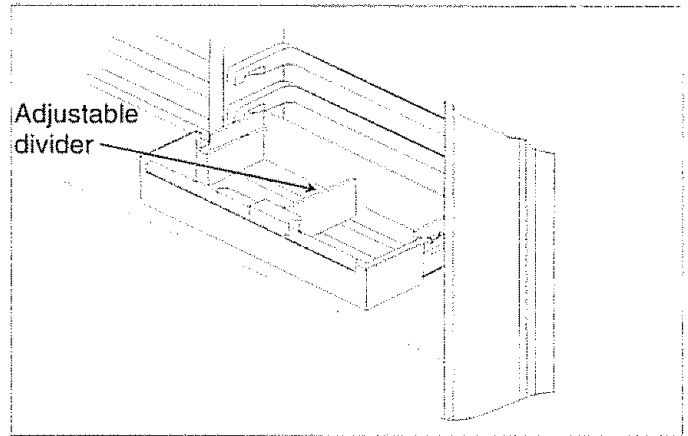
### Tall Package Retainer (some models)

Tall package retainer keeps tall items secure. Retainer fits on front edge of any refrigerator door bucket or door shelf.



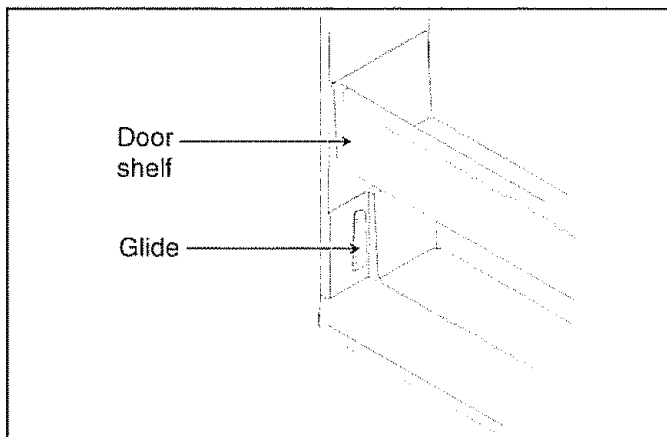
### Adjustable Divider (some models)

Adjustable divider keeps items in place and adjusts to meet individual storage needs. Divider fits in any door bucket or door shelf.



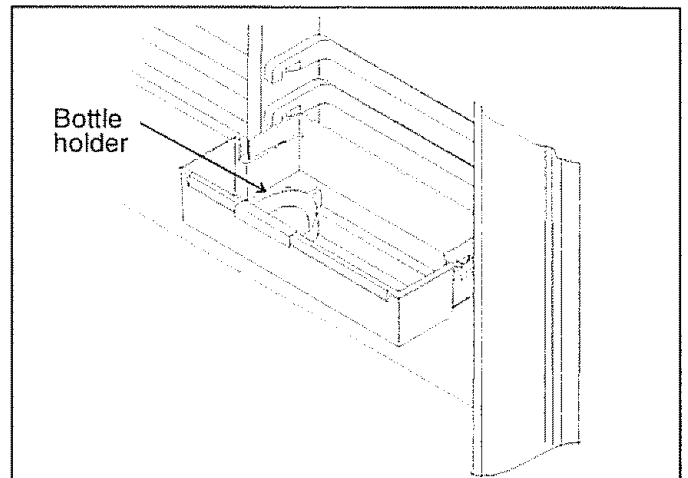
### Door Shelves

- Remove door shelves by lifting ends and pulling out.
- Replace door shelves by placing shelf on glides and sliding down.



### Bottle Holder (some models)

Bottle holder keeps items in place and adjusts to meet individual storage needs. Bottle holder fits in any door bucket or door shelf.



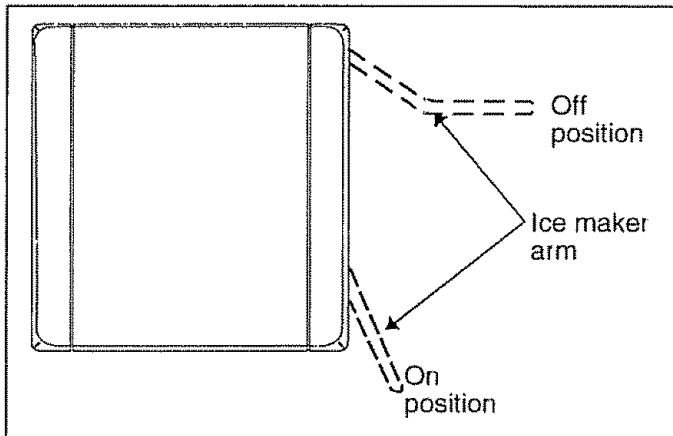
## Freezer Features

### Frost-Free System

The refrigerator and freezer sections are completely frost-free. Defrosting is automatic under normal conditions. Refrigerator and freezer sections never have to be defrosted.

### Automatic Ice Maker (some models)

- Make sure ice bucket is in place and ice maker arm is down.



- After freezer section reaches normal temperature, the ice maker fills with water and begins operating. Allow 24–48 hours after installation before first harvest of ice. Ice maker produces 7 to 9 harvests of ice in a 24-hour period under ideal conditions.
- After ice is formed, ice maker drops ice cubes into ice storage bucket. During ice production, ice maker arm raises and lowers. When ice storage bucket is full, ice maker arm turns ice maker off.

**Note:** Discard first 3 harvests of ice so any impurities left in the water line after installation are not consumed.

- If you wish to stop automatic ice production lift ice maker arm. A definite click is heard when proper position is reached. Ice maker arm will remain in that position until pushed down.

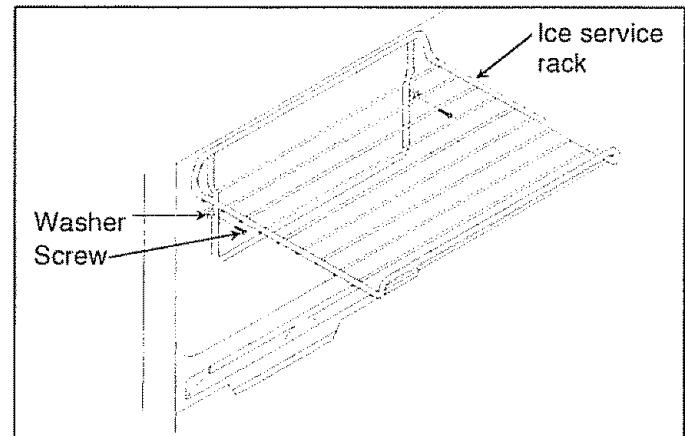
### Ice Service Rack (some models)

Install ice service rack by completing the following steps using a Phillips screwdriver:

1. Loosen screw and washer on freezer side wall.
2. Place ice service rack on washers and slide down.
3. Tighten screws and washers.

Move ice service rack by completing the following steps using a Phillips screwdriver:

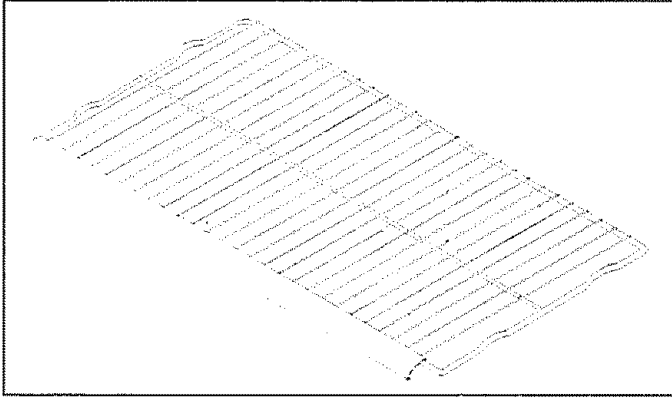
1. Remove ice service rack by lifting rack off washers, then pulling out.
2. Remove screws and washers that support ice service rack. Remove plugs from freezer wall opposite ice service rack. Replace plugs with screws and washers. Insert plugs in holes remaining from removal of screws and washers.
3. Replace ice service rack by placing rack on washers and sliding down until secure.



**CAUTION:** Make sure shelf is secure before placing items on shelf to avoid property damage.

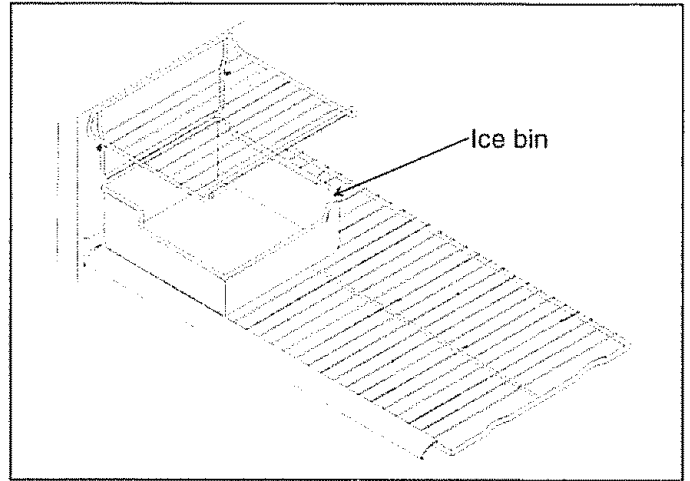
### Wire Shelf

- Remove wire shelf by pulling out. A sharp tug may be necessary.
- Replace wire shelf by sliding in until back locks in place.



### Ice Bin (some models)

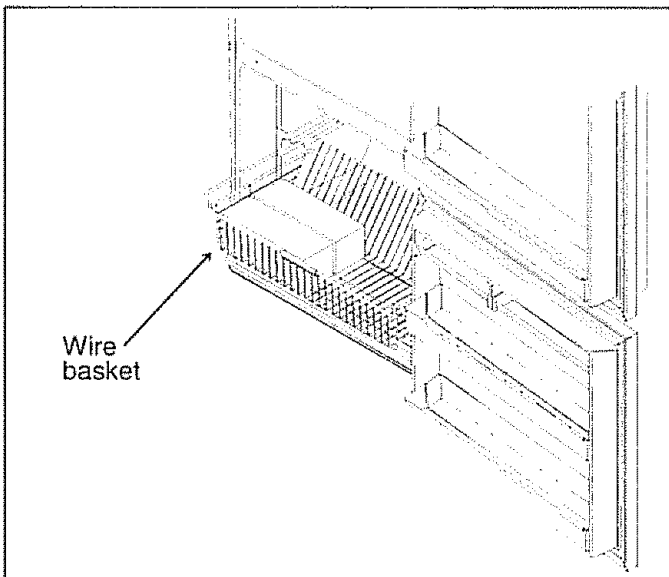
Ice bin sits below the ice service rack on the wire freezer shelf.



### Wire Basket

Wire basket slides out for easy access to items in back.

- Remove wire basket by lifting and pulling out.
- Replace wire basket by sliding in.



## Care and Cleaning



**WARNING:** Disconnect power to refrigerator before cleaning to avoid electrical shock which can cause severe personal injury or death. After cleaning, restore power.



**CAUTION:** Read and follow all manufacturer's cleaning directions to avoid personal injury or property damage.

### General Cleaning

1. Wash surfaces and exterior with 4 tablespoons baking soda dissolved in 1 quart warm water and a soft, clean cloth.
2. Rinse surfaces and exterior with warm water. Dry surfaces with a soft, clean cloth.
3. **DO NOT USE** the following items:
  - abrasive or harsh cleaners, ammonia, chlorine bleach, etc.
  - concentrated detergents or solvents
  - metal scouring padsThese items can scratch, crack, and discolor surfaces.
4. Do not place buckets, shelves, etc., in dishwasher.

### Adhesives

1. Remove adhesive residue from refrigerator surfaces by rubbing toothpaste into adhesive with fingers until adhesive loosens.
2. Rinse surface with warm water. Dry surface with a soft, clean cloth.

### Door Gaskets

1. Clean door gaskets every 3 months according to General Cleaning instructions. Clean any spills immediately.
2. Apply a light film of petroleum jelly to keep gaskets pliable.

### Condenser Coils

Clean condenser coil behind toe grille every 3 months to ensure maximum performance of refrigerator.

Accumulated dust and lint may cause the following:

- reduced cooling performance
  - increased energy usage
  - premature part failure
1. Remove toe grille by holding ends and pulling away from refrigerator.
  2. Clean front surface of condenser coil with a vacuum cleaner hose nozzle.
  3. Replace toe grille by inserting clips in holes and snapping in.

4. Raise stabilizing legs (some models) by turning counterclockwise.



**CAUTION:** Protect soft vinyl or other flooring with cardboard, rugs or other protective material to avoid property damage.

5. Pull refrigerator away from wall. Run a vacuum brush across grille on back of refrigerator.

### Glass Shelves



**CAUTION:** Handle tempered glass shelves carefully to avoid personal injury or property damage. Shelves may break suddenly if nicked, scratched, or exposed to sudden temperature change.

Remove shelf by lifting front, releasing hooks from metal track then pulling out. Place shelf on a towel. Allow shelf to adjust to room temperature before cleaning.

Clean crevices by completing the following:

1. Dilute mild detergent and brush solution into crevices using a plastic bristle brush. Let sit for 5 minutes.
2. Spray warm water into crevices using faucet spray attachment.
3. Dry shelf thoroughly and replace shelf by inserting hooks into metal track and lowering it from the front.

### Odor Removal

1. Remove all food and disconnect power to refrigerator.
2. Clean all interior surfaces including ceiling, floor, and walls according to General Cleaning instructions above. Pay special attention to corners, crevices, and grooves. Include all drawers, shelves, and gaskets.
3. Connect power to refrigerator and return food to refrigerator. Wash and dry all containers. Wrap foods in tightly sealed containers to prevent further odor. After 24 hours, check if odor has been eliminated.

Complete steps 4–9 if odor has not been eliminated.

4. Place crispers on top shelf of refrigerator section. Pack refrigerator and freezer sections, including doors, with crumpled sheets of newspaper.
5. Place charcoal briquettes randomly throughout newspaper.
6. Close doors and let stand 24–48 hours.
7. Remove charcoal briquettes and newspapers.
8. Complete steps 2–3.

If odor is still not eliminated, contact a Sears Service Center.

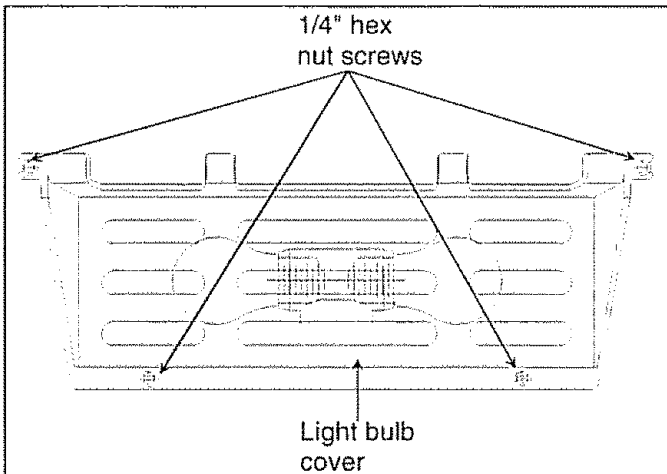
## Vacation Tips

### Light Bulb Replacement

**WARNING:** Disconnect power to refrigerator before replacing light bulb to avoid electrical shock which can cause severe personal injury or death. After replacing light bulb, restore power.

**CAUTION:** Observe the following to avoid personal injury or property damage.

- Allow light bulbs to cool
  - Wear gloves when replacing light bulb.
- Remove light bulb cover by removing ¼" hex nut screws. Replace bulb(s) with 40-watt appliance bulb(s).
  - Replace light bulb cover by replacing ¼" hex nut screws.



Complete the following steps for short vacations.

1. Remove perishable foods.
2. If an ice maker is installed, move ice maker arm to *Off* position. (See "Automatic Ice Maker" section page 12)

Complete the following steps for long vacations.

1. Empty refrigerator and freezer sections.
2. Unplug refrigerator.
3. Clean refrigerator and door gaskets according to General Cleaning instructions in "Care and Cleaning" section.
4. Prop doors open, so air can circulate inside.
5. If an ice maker is installed, turn off water supply to refrigerator and move ice maker arm to *Off* position. (See "Automatic Ice Maker" section page 12)

### Energy Tips

This refrigerator is designed to be one of the most energy efficient refrigerators available. Reduce energy use by observing the following.

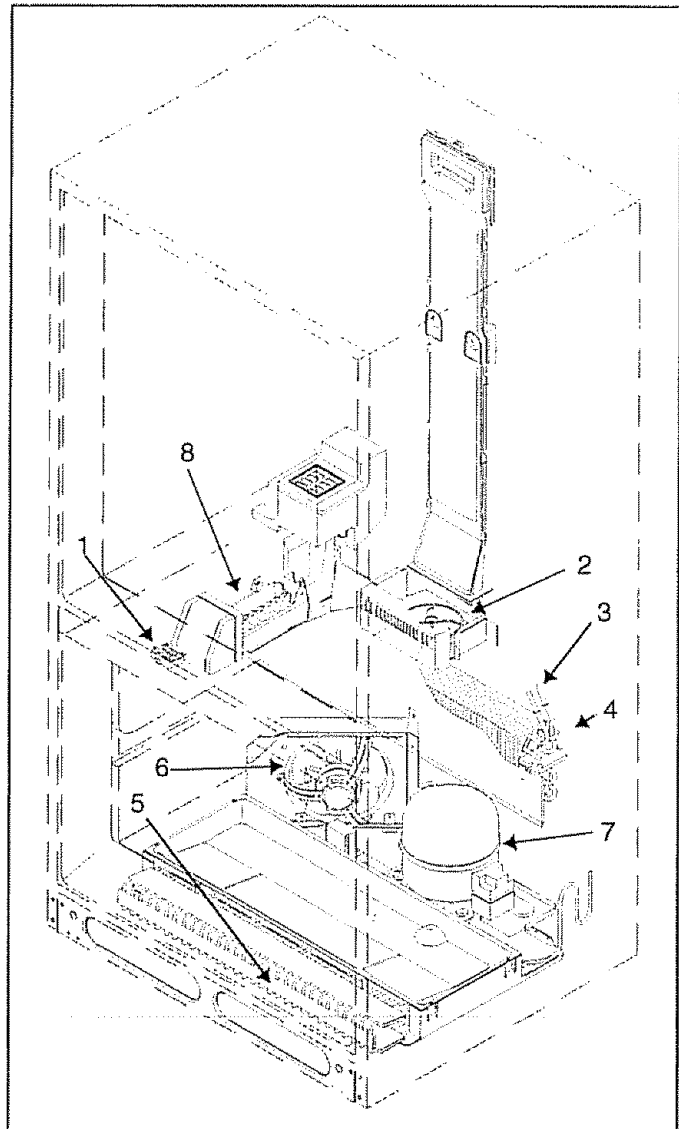
- Operate in normal household temperatures of 55° to 110°F (13° to 43°C) away from heat sources and direct sunlight.
- Set refrigerator, freezer, and temperature controlled meat drawer system controls no colder than necessary.
- Keep freezer section full.
- Keep door gaskets clean and pliable. Replace gaskets if worn.
- Keep condenser coils clean.

## Normal Operating Sounds

This new refrigerator may be replacing a differently designed, less efficient or smaller refrigerator. Today's refrigerators have new features and are more energy efficient. As a result, certain sounds may be unfamiliar. These sounds are normal and will soon become familiar to you. They also indicate refrigerator is operating and performing as designed.

1. **Freezer control** clicks when starting or stopping compressor.
2. **Freezer fan** air rushes and whirs.
3. **Sealed system** (evaporator and heat exchanger) refrigerant flow gurgles, pops or sounds like boiling water.
4. **Defrost heater** sizzles, hisses or pops.
5. **Defrost timer** sounds like an electric clock and snaps in and out of defrost cycle.
6. **Condenser fan** air rushes and whirs.
7. **Compressor** has a high pitched hum or pulsating sound and cycles on and off.
8. **Ice cubes** from ice maker (some models) drop into ice bucket.
9. **Ice maker water valve hookup** (some models) buzzes when ice maker fills with water. This occurs whether or not refrigerator is connected to water supply. If refrigerator is not connected to water supply, stop sound by raising ice maker arm to *Off* position. Ice maker water valve hookup is located behind condenser fan in back of refrigerator.

**Note:** Foam insulation is very energy efficient and has excellent insulating capabilities. However, foam insulation is not as sound absorbent as previously used fiberglass insulation.



## Before Calling For Service

Problem	Solution
Refrigerator does not operate.	<ul style="list-style-type: none"> <li>• Make sure freezer control is on</li> <li>• Make sure refrigerator is plugged in. If not, firmly plug the cord into a live outlet with proper voltage.</li> <li>• Check fuse or circuit breaker. Plug in another item at that wall outlet. If outlet does not work, replace the fuse or reset the circuit.</li> <li>• If freezer control is on, light works but 2 fans and compressor is not operating, refrigerator may be in defrost cycle. Wait 40 minutes to see if refrigerator restarts.</li> </ul>
Refrigerator still will not operate.	<ul style="list-style-type: none"> <li>• Unplug refrigerator. Transfer food to another refrigerator or place dry ice in freezer section to preserve food. Call for service.</li> </ul>
Food temperature appears too warm.	<ul style="list-style-type: none"> <li>• See above sections.</li> <li>• Allow time for recently added warm food to reach refrigerator or freezer temperature. Adding food warms the refrigerator. It can take a few hours for the refrigerator to return to normal temperature.</li> <li>• Check gaskets for proper seal. Gaskets should seal tightly to cabinet.</li> <li>• Clean condenser coils. See "Condenser Coils" instructions in "Care and Cleaning" section.</li> <li>• Adjust refrigerator and or freezer control. See "Setting Controls" instructions in "Controls" section.</li> <li>• Freezer or refrigerator light stays on. If light stays on, call service.</li> <li>• Return air vents behind crisper are blocked restricting airflow. Locate return air vent behind crispers and remove any debris that blocks vents or restricts airflow.</li> </ul>
Temperature controlled meat drawer temperature is too warm.	<ul style="list-style-type: none"> <li>• Slide control to colder setting.</li> <li>• Adjust freezer control to colder setting. See "Setting Controls" instructions of "Controls" section.</li> <li>• Verify temperature controlled meat drawer cap has been moved if drawer has been moved from left to right side of cabinet. See "Temperature Controlled Meat Drawer" section.</li> </ul>
Food temperature is too cold.	<ul style="list-style-type: none"> <li>• Clean condenser coils. See "Condenser Coils" instructions in "Care and Cleaning" section.</li> <li>• Adjust refrigerator control. See "Setting Controls" instructions in "Controls" section.</li> <li>• Adjust freezer control to warmer setting. See "Setting Controls" instructions in "Controls" section. Allow several hours for temperature to adjust.</li> <li>• Verify plastic cap is in place opposite temperature controlled meat drawer. See "Temperature Controlled Meat Drawer" section.</li> </ul>
Refrigerator runs too frequently.	<ul style="list-style-type: none"> <li>• It may be normal to maintain constant temperature</li> <li>• Doors have been opened frequently or for an extended period of time. When the door is opened warm humid air is allowed into the refrigerator. The more the door is opened the more warm air the refrigerator must cool.</li> <li>• Allow time for recently added warm food to reach refrigerator or freezer temperature. It can take a few hours for the refrigerator to return to normal temperature.</li> <li>• Clean condenser coils. See "Condenser Coils" instructions in "Care and Cleaning" section.</li> <li>• Adjust freezer control. See "Setting Controls" instructions in "Controls" section.</li> <li>• Check gaskets for proper seal. Gaskets should seal tightly to cabinet.</li> <li>• Freezer light stays on. If light stays on, call service.</li> <li>• Make sure refrigerator is level. See "Leveling Refrigerator" section of Installation Instructions.</li> </ul>

Problem	Solution
Water droplets form on inside of refrigerator.	<ul style="list-style-type: none"> <li>• It is normal during high humidity periods or if doors have been opened frequently.</li> <li>• Wrap food tightly and wipe off damp containers prior to storing in the refrigerator to avoid moisture accumulation.</li> </ul>
Water droplets form on outside of refrigerator.	<ul style="list-style-type: none"> <li>• Check door seals for proper seal. Gaskets should seal tightly to cabinet</li> <li>• It is normal during high humidity periods or if doors have been opened frequently</li> </ul>
Temperature controlled meat drawer or crisper drawer does not close freely (some models).	<ul style="list-style-type: none"> <li>• Check for a package that may prevent drawer from closing properly.</li> <li>• Confirm drawer is in proper position.</li> <li>• Clean drawer channels with warm, soapy water. Rinse and dry thoroughly.</li> <li>• Apply a thin layer of petroleum jelly to drawer channels.</li> <li>• Confirm refrigerator is level.</li> </ul>
Refrigerator has an odor.	<ul style="list-style-type: none"> <li>• See "Odor Removal" instructions in "Care and Cleaning" section.</li> </ul>
Refrigerator makes unfamiliar sounds or seems too loud.	<ul style="list-style-type: none"> <li>• It may be normal. See "Normal Operating Sounds" section.</li> </ul>
Ice cubes have an odor	<ul style="list-style-type: none"> <li>• See "Odor Removal" instructions in "Care and Cleaning" section.</li> <li>• Ice maker was recently installed. Discard first few batches of ice to avoid discolored or off-flavored ice.</li> <li>• Food has not been wrapped tightly in either refrigerator or freezer compartment. Rewrap foods since odors may migrate to the ice if food is not wrapped properly.</li> <li>• Discard ice and clean ice bucket or trays more frequently. Ice cubes are porous and absorb odors easily.</li> <li>• Water supply contains minerals such as sulfur. In some situations a filter may need to be installed to eliminate taste and odor problems.</li> </ul>
Ice cubes stick together or "shrink"	<ul style="list-style-type: none"> <li>• Empty ice cube bucket or trays more frequently. If used infrequently, ice cubes may stick together or shrink.</li> </ul>
Ice maker is not producing ice.	<ul style="list-style-type: none"> <li>• Water pressure may be too low or high. Ice maker requires a water pressure of 20-120 psi to function properly.</li> <li>• Confirm ice maker arm is down. See "Automatic Ice Maker" section.</li> <li>• Confirm household water supply is reaching water valve. Make sure the water valve shut off is fully turned on.</li> <li>• Confirm ice maker wiring harness is inserted completely in proper holes.</li> <li>• Check for kinks in copper or plastic tubing. Remove kinks or replace tubing.</li> <li>• Check electrical connections to water valve coil and connector block on refrigerator cabinet.</li> <li>• If a water filter has been installed on the water line outside the refrigerator, check the filter for clogs or improper installation of the filter.</li> </ul>
Ice maker is not producing enough ice.	<ul style="list-style-type: none"> <li>• Ice maker has just recently been installed or a large amount of ice has just been used. Wait 24 hours for ice production to begin and for ice maker to restock after emptied.</li> <li>• Confirm household water supply is reaching water valve. Make sure the water valve shut off is fully turned on.</li> <li>• Piercing type or <math>\frac{3}{16}</math>" saddle valve was used for hookup. Both reduce water flow and may become clogged with time. Replace these valves with correct type of saddle valve requiring <math>\frac{1}{4}</math>" hole to be drilled in water supply pipe prior to valve attachment.</li> <li>• Check for kinks in copper or plastic tubing. Remove kinks or replace tubing</li> <li>• Confirm freezer section is operating at proper temperature. Freezer must be cold enough to produce ice. See "Setting Controls" section.</li> </ul>
Ice forms in inlet tube to ice maker.	<ul style="list-style-type: none"> <li>• Check water pressure. Low water pressure causes valves to leak.</li> </ul>

## Warranty

### **Full One Year Warranty on Refrigerator**

For one year from the date of purchase, when this refrigerator is operated and maintained according to instructions attached to or furnished with it, Sears will repair it, free of charge, if defective in material or workmanship.

### **Full Five Year Warranty on Sealed Refrigeration System**

For five years from the date of purchase, when this refrigerator is operated and maintained according to instructions attached to or furnished with it, Sears will repair the sealed system (consisting of refrigerator, connecting tubing and compressor motor) free of charge, if defective in material or workmanship.

The above warranty coverage applies only to refrigerators which are used for storage of food for private household purposes.

Warranty Service is available by contacting 1-800-4-MY-HOME (1-800-469-4663).

This warranty applies only while this product is in use in the United States.

This Warranty gives you specific legal rights, and you may also have other rights, which vary from state to state.

Sears, Roebuck and Co, Dept 817WA, Hoffman Estates, IL 60179



## Requerimientos eléctricos

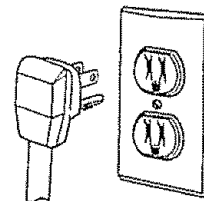


Reconozca este símbolo como precaución de seguridad.



**ADVERTENCIA:** Instrucciones para conexión a tierra — Este refrigerador está equipado con un enchufe de tres puntas (para conexión a tierra) para proveer protección contra posibles riesgos de descargas eléctricas. Si tiene un tomacorriente de dos orificios, comuníquese con un electricista calificado para que reemplace este tomacorriente de pared de dos orificios por otro de tres orificios correctamente conectado a tierra, en conformidad con el Código Eléctrico Nacional.

Este refrigerador ha sido diseñado para que funcione con una línea separada de 103 a 126 voltios, 15 amperios y 60 ciclos.



**No corte ni elimine, bajo ninguna circunstancia, la punta redonda de conexión a tierra del enchufe. El refrigerador debe estar conectado a tierra en todo momento. No quite el rótulo de advertencia del cordón eléctrico.**



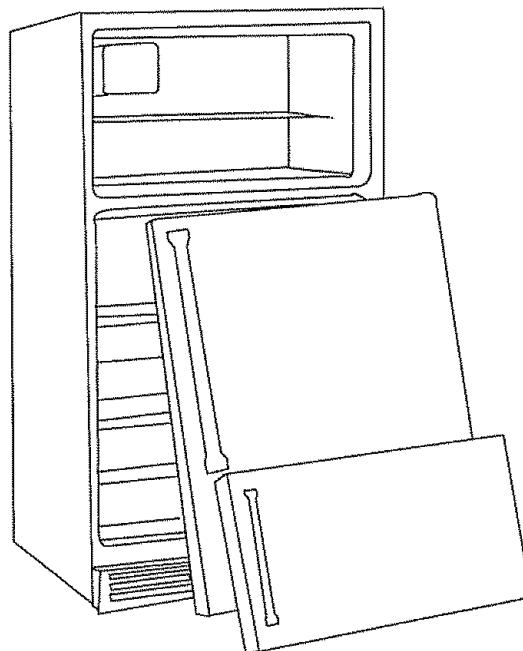
**ADVERTENCIA:** No utilice un adaptador de dos puntas. No utilice un cable de extensión.

## Forma apropiada de desechar su refrigerador

**IMPORTANTE:** Los niños atrapados y asfixiados en refrigeradores no es cosa del pasado. Los refrigeradores que se arrumban o abandonan, aun cuando sea por “solo unos cuantos días”, continúan siendo un peligro. Si desecha un refrigerador viejo, sírvase seguir las siguientes instrucciones para ayudar a prevenir un accidente.

### ANTES DE TIRAR SU REFRIGERADOR O CONGELADOR VIEJO:

- Qúitele las puertas.
- Déjele las repisas puestas para que los niños no puedan meterse fácilmente.



## Contenido

Requerimientos eléctricos .....	21
Forma apropiada de desechar su refrigerador .....	21
Lista de verificación de la instalación .....	22
Instrucciones para la instalación .....	23
Requerimientos de espacio .....	23
Para nivelar el refrigerador .....	23
Para invertir las puertas .....	23
Conexión para la línea de suministro de agua de la máquina de hielos (en algunos modelos) .....	25
Controles .....	26
Controles del refrigerador y del congelador .....	26
Ajuste de los controles .....	26
Características del refrigerador .....	27
Repisas del refrigerador .....	27
Cajones para mantener alimentos crujientes (Crisper) .....	27
Cajón de temperatura controlada para carne (en algunos modelos) .....	28
Compartimiento para botellas (en algunos modelos) .....	29
Compartimiento cubierto para almacenamiento (en algunos modelos) .....	29
Compartimientos para productos lácteos (en algunos modelos) .....	29
Compartimientos de la puerta .....	29
Depósito para paquetes altos .....	30
Repisas de la puerta .....	30
Separador ajustable (en algunos modelos) .....	30
Portabotellas .....	30
Características del congelador .....	31
Sistema sin escarcha (Frost-Free) .....	31
Máquina de hielo automática .....	31
Rejilla para servicio de hielo .....	31
Repisa de alambre .....	32
Canasta de alambre .....	32
Repisas de la puerta .....	32
Depósito de hielo .....	32
Cuidado y limpieza .....	33
Limpieza general .....	33
Adhesivos .....	33
Empaques de la puerta .....	33
Serpentines del condensador .....	33
Repisas de vidrio .....	33
Eliminación de olores .....	33
Reemplazo de focos .....	34
Sugerencias para cuando sale de vacaciones .....	34
Sugerencias para conservar energía .....	34
Sonidos normales de funcionamiento .....	35
Antes de llamar para solicitar servicio .....	36
Garantía .....	40

### Nota

La traducción algunas veces puede causar variaciones en el significado. En todos los casos cuando el significado varíe, el más preciso será el de la versión en inglés de este documento.

## Lista de verificación de la instalación

Compruebe que se haya realizado lo siguiente para asegurar el funcionamiento apropiado del refrigerador.

### Puertas

- Las asas están conectadas firmemente a las puertas.
- El lado del refrigerador que tiene el asa está aproximadamente  $\frac{1}{8}$ " (3 mm) más alto que el lado donde están las bisagras. (Vea las instrucciones de instalación en la página 6.)
- Las puertas se sellan completamente al gabinete del refrigerador.

### Nivelación

- El refrigerador está inclinado  $\frac{1}{4}$ " (6 mm) de adelante hacia atrás y nivelado de lado a lado.

### Máquina para hacer hielo

- La línea de suministro de agua al refrigerador está conectada y abierta.
- No hay goteras en la conexión entre la línea de suministro de la casa y el refrigerador. (24 horas más tarde el consumidor debe revisar la conexión para ver si existen goteras.)
- El brazo de la máquina para hacer el hielo está en la posición para producir hielo. (La producción inicial de hielo puede tardar hasta 24 horas.)

### Electricidad

- Se usa un tomacorriente de pared con conexión a tierra para enchufes de tres puntas, para conectar el refrigerador.

## Instrucciones para la instalación

La instalación apropiada del refrigerador asegurará el funcionamiento más eficiente.

### Requerimientos de espacio

**ADVERTENCIA:** Mantenga los materiales y los vapores inflamables, como gasolina, lejos del refrigerador. El no hacerlo puede causar como resultado la muerte, una explosión, un incendio o quemaduras.

- Para asegurar la ventilación apropiada del refrigerador, deje un espacio de 1" (2.5 cm) en la parte superior del refrigerador.
- Si su refrigerador tiene una máquina para hacer hielo, asegúrese de dejar espacio adicional en la parte posterior para la conexión de la línea de agua. El refrigerador puede estar al ras con la pared posterior si no instala una máquina para hacer hielo.
- Si se instala el refrigerador junto a una pared fija, deje un espacio de 2 1/2" (6.35 cm) en cada lado (dependiendo del modelo) para permitir que las puertas se abran 90°.

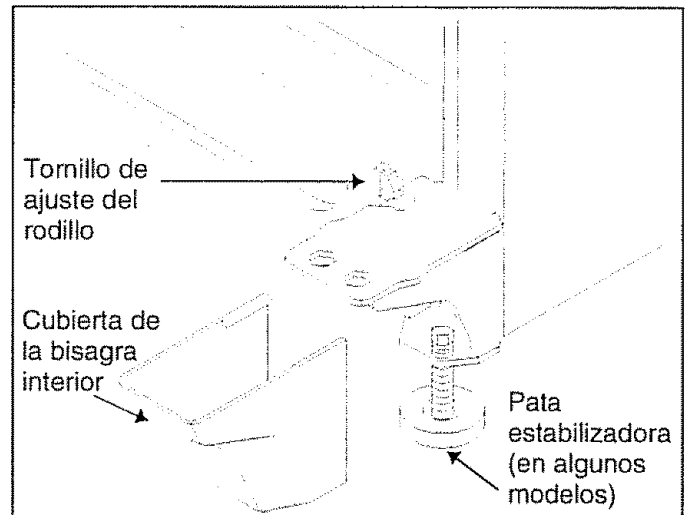
**NOTA:** No instale el refrigerador junto a un horno, radiador u otra fuente de calor, ni en un área donde la temperatura bajará a menos de 55° F (13° C).

### Para nivelar el refrigerador

Algunas instalaciones pueden requerir que las puertas se tengan que invertir para que puedan abrirse completamente. Si es así, continúe con la sección "Para invertir las puertas" antes de nivelar el refrigerador.

Si su refrigerador requiere que se conecte la máquina de hielo, continúe con la sección "Conexión para la línea de suministro de agua para la máquina de hielo" en la página 6 antes de nivelar el refrigerador.

1. Enchufe el cordón eléctrico.
2. Mueva el refrigerador a la ubicación final.
3. Nivele el refrigerador con un nivelador colocado encima del refrigerador.
  - Quite la parrilla inferior y la cubierta de la bisagra inferior si el refrigerador tiene una pata estabilizadora.
  - Gire el tornillo de ajuste para subir o bajar el gabinete del refrigerador. La parte delantera del refrigerador debe estar 1/4" (6 mm) ó 1/2 burbuja de nivel más alta que la parte posterior.
  - Asegúrese de que el gabinete del refrigerador esté nivelado de lado a lado ajustando los tornillos de ajuste de rodillo izquierdo y derecho.
  - Gire la pata estabilizadora (en algunos modelos) en sentido de las manecillas del reloj hasta que quede firme sobre el piso.



### Para invertir las puertas

**PRECAUCIÓN:** Proteja el piso vinílico suave o de otro tipo con cartones, alfombras u otros materiales protectores para evitar daños a la propiedad.

Algunas instalaciones pueden requerir que las puertas se tengan que invertir para que abran completamente. Para invertir la dirección en la que abren las puertas siga los pasos a continuación:

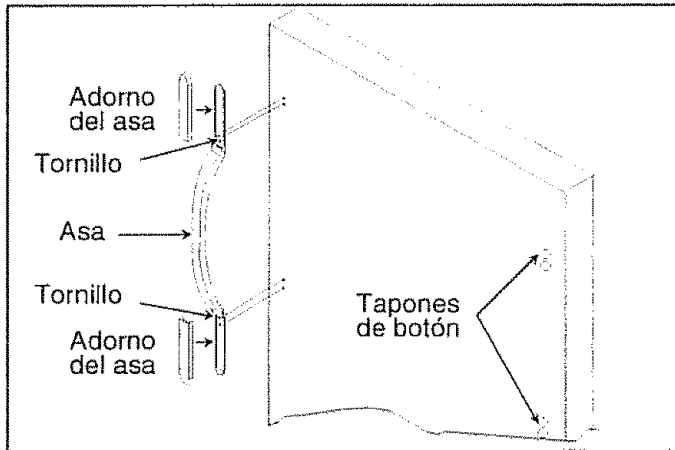
#### Herramientas necesarias

Espátula (con la hoja cubierta con cinta adhesiva masking)  
Llave para tuercas hexagonales de 5/16"  
Llave para tuercas hexagonales de 3/8"  
Desarmador Phillips  
Desarmador plano

1. Quite las asas del refrigerador.

**IMPORTANTE:** Para evitar los raspones en la superficie del refrigerador, **se debe cubrir con cinta adhesiva masking** la hoja del desarmador y de la espátula que se piden para los siguientes pasos:

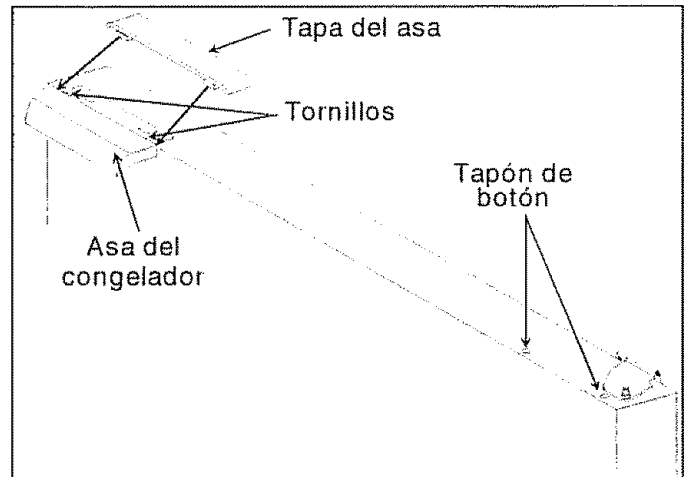
- Extraiga con la orilla de la espátula el borde del adorno del asa. Quite el asa de la puerta quitándole los dos tornillos de montaje en cada extremo del asa.
- Extraiga los cuatro tapones de botón de la bisagra del lado de la puerta con la espátula. Monte el asa en el lado opuesto de la puerta usando los tornillos de montaje que quitó en el paso anterior. Si el tapón del gabinete tiene una cabeza tipo phillips utilice un desarmador phillips para retirar el tapón del gabinete.
- Encaje el adorno del asa en su lugar. Vuelva a colocar los cuatro tapones de botón en los orificios vacíos de montaje.



2. Quite la cubierta de la bisagra superior, que está colocada a presión. Quite la bisagra superior y la laminilla de ajuste de la bisagra, con un desarmador de tuercas hexagonales.
3. Quite la puerta del refrigerador levantándola del pasador de la bisagra central.
4. Quite el pasador de la bisagra central con un desarmador de tuercas hexagonal.
5. Quite la puerta del congelador levantándola de la bisagra inferior. Es posible que se salga una varilla interna de soporte. Coloque la varilla de nuevo en su lugar antes de colocar la puerta.
6. Quite el soporte de la bisagra central y la laminilla de ajuste usando un desarmador phillips.
7. Quite la parrilla inferior y la cubierta de la bisagra inferior. Ambas están colocadas a presión.
8. Quite la bisagra inferior y la laminilla de ajuste usando un desarmador de tuercas hexagonales.

9. Quite las asas del congelador

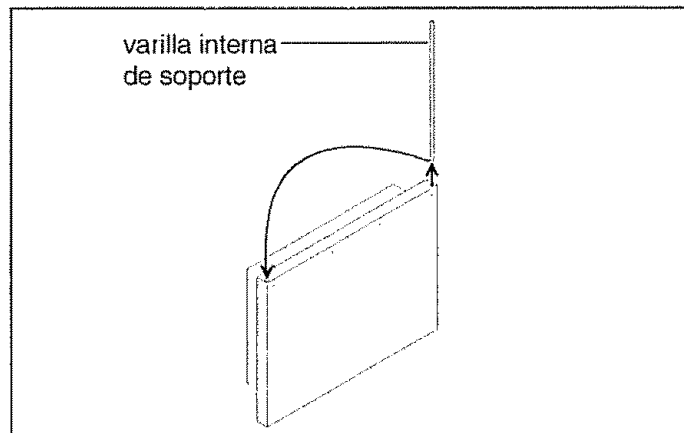
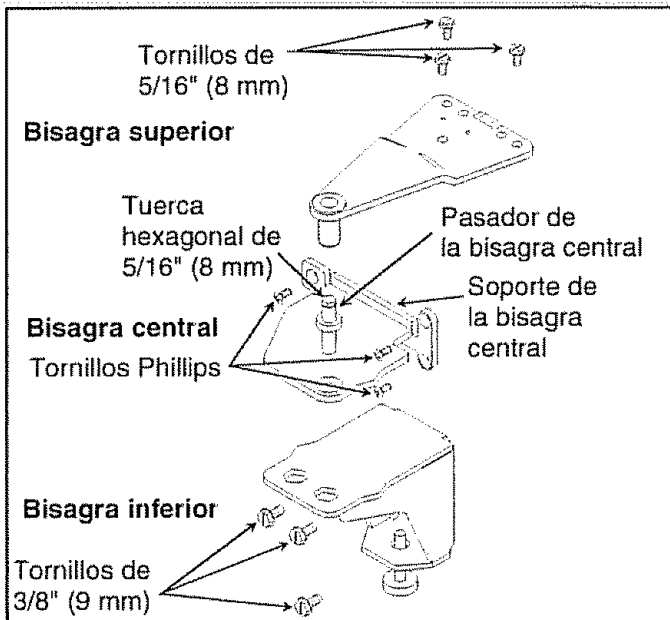
- Extraiga con la espátula el borde posterior de la tapa del asa. Quite la tapa del asa, y el asa de la puerta quitándole el tornillo de montaje que está a cada lado del asa.
- Extraiga con la espátula cubierta con cinta adhesiva masking los dos tapones de botón de la bisagra del lado de la puerta.



**ADVERTENCIA:** Desconecte la corriente eléctrica del refrigerador antes de quitar las puertas para evitar descargas eléctricas que pueden causar lesiones personales graves o la muerte. Después de volver a colocar las puertas, conecte la corriente eléctrica.

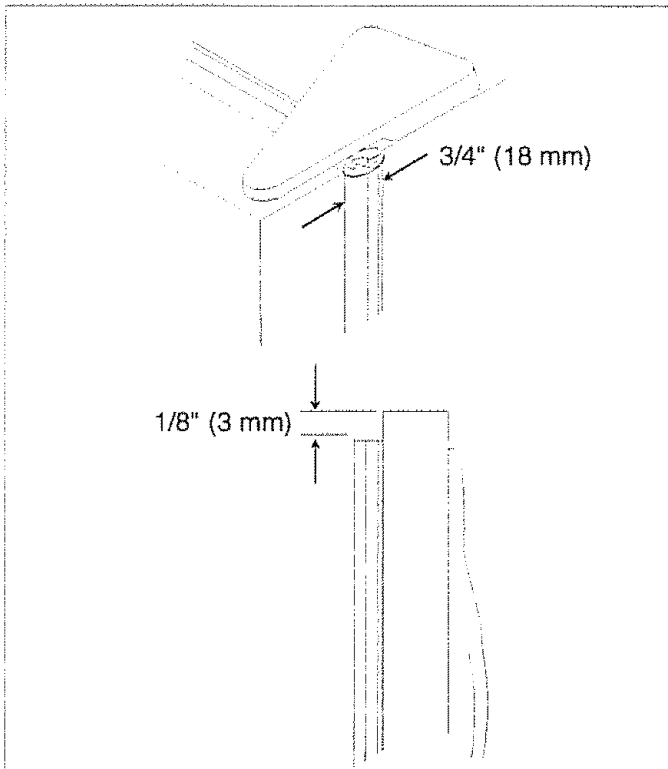
10. Invierta las puertas según sea necesario, realizando lo siguiente:

- Quite los tapones inferiores del lado opuesto del gabinete del refrigerador con la espátula cubierta con cinta adhesiva masking e introdúzcalos en los orificios izquierdos que quedaron cuando la bisagra se quitó.
- Vuelva a colocar la varilla interna de soporte en el lado de la bisagra de la puerta del congelador antes de colocar la puerta.



11. Vuelva a colgar las puertas colocando las bisagras inferior, central y superior, así como las puertas del congelador y del refrigerador en el lado opuesto del refrigerador siguiendo los pasos 2 al 8 en orden inverso.

- Utilice una moneda en la parte superior para separar las puertas  $\frac{3}{4}$ " (18 mm) del gabinete.
- El lado del asa de la puerta debe estar aproximadamente  $\frac{1}{8}$ " (3 mm) más alto que el lado donde está la bisagra. La puerta se nivelará cuando esté se coloquen alimentos en la misma.



12. Monte el asa del lado opuesto de la puerta usando los tornillos de montaje que quitó.

- Cuadre el borde frontal de la tapa del asa hacia abajo, hacia el filo posterior del asa del congelador. Verifique que la lengüeta inferior de la tapa del congelador se deslice por abajo del filo posterior del asa del congelador. Encaje la parte posterior de la tapa del asa en su lugar. Coloque los dos tapones de botón en los orificios vacíos de montaje.

## Conexión para la línea de suministro de agua de la máquina de hielos (en algunos modelos)

**⚠️ ADVERTENCIA:** Desconecte la corriente eléctrica del refrigerador antes de conectar el suministro de agua para evitar descargas eléctricas que pueden causar lesiones personales graves o la muerte. Después de volver a colocar las puertas, conecte la corriente eléctrica.

**⚠️ PRECAUCIÓN:** Acate los puntos siguientes para evitar daños materiales:

- Compruebe que la presión del agua en la válvula de agua esté entre 20 y 100 libras por pulgada cuadrada.
- Apriete la conexión y las tuercas del adaptador con unas pinzas y con una llave de tuercas. No lo apriete de más.
- Revise si hay goteras de agua y arrégelas si es necesario antes de volver a colocar el refrigerador en su lugar. Después de 24 horas revise nuevamente si hay goteras.

### Importante

- Antes de conectar el suministro de agua, comuníquese con un plomero para que conecte la tubería de cobre a la plomería de la casa en conformidad con los códigos y reglamentos locales.
- ¡NO utilice válvulas de tipo de penetración o de silla de  $\frac{3}{16}$ " (9 mm)! Ambas reducen el flujo del agua, con el tiempo se obstruyen y además pueden causar goteras si trata de repararlas. El tipo correcto de válvula de cierre requiere que se haga un orificio de  $\frac{1}{4}$ " (6 mm) en la tubería del suministro de agua antes de conectar la válvula.
- No coloque tuberías del suministro de agua en ubicaciones en donde la temperatura pueda bajar a menos de 32°F (0°C).

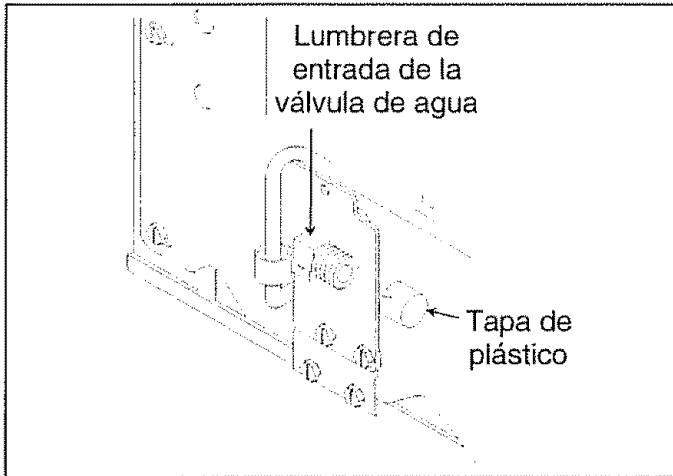
### Materiales necesarios

Se requiere tubería de cobre flexible de  $\frac{1}{4}$ " (6 mm) de D.E. La longitud de la tubería de cobre debe alcanzar desde la conexión del suministro de agua hasta la lumbrera de entrada de la válvula de agua. Se necesitan 8 pies (2 m) adicionales de tubería para un lazo de servicio. El lazo de servicio permitirá que el refrigerador se pueda separar de la pared sin desconectar la tubería.

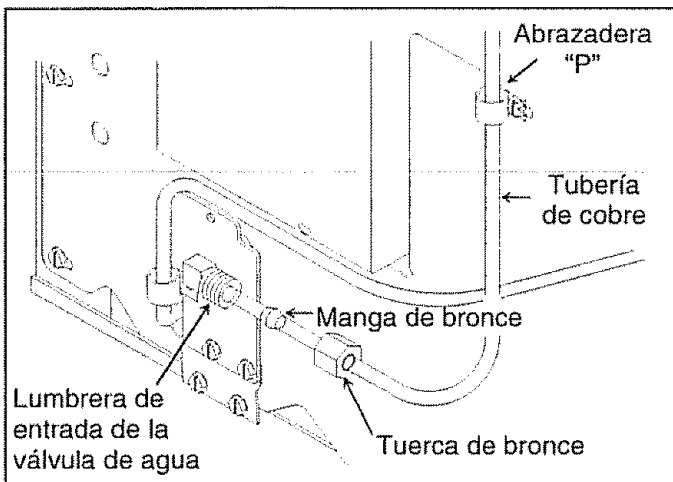
## Controles

### Procedimiento

1. Quite la tapa de plástico de la lumbrera de entrada de la válvula de agua.



2. Coloque la tuerca y la manga de bronce en la tubería de cobre. (La tuerca y la manga de bronce se encuentran en el paquete de literatura.) Introduzca la tubería de cobre en la lumbrera de entrada de la válvula de agua. Conecte la tuerca de bronce en la tubería de cobre en la lumbrera de entrada de la válvula de agua. Compruebe que la tubería de cobre esté bien segura tirando de ella ligeramente.

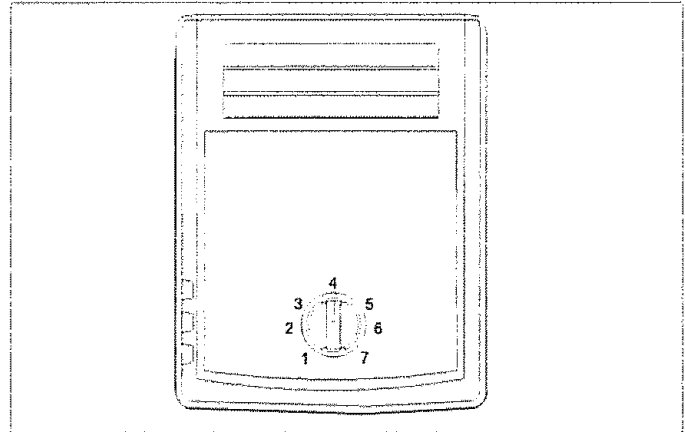


3. Abra el suministro de agua que va al refrigerador y revise posibles goteras. Repare las goteras cuando lo conecte. Tenga cuidado de no apretar demasiado la conexión.
4. Haga un lazo de servicio con extremado cuidado para evitar dobleces. Asegure la tubería de cobre al gabinete del refrigerador con una abrazadera "P". Es importante asegurar el tubo de cobre al refrigerador para evitar goteras al empujar el refrigerador para volver colocarlo en el hueco.

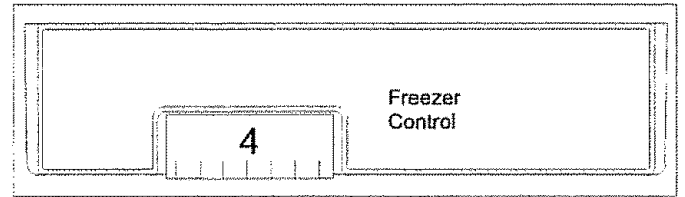
Este refrigerador funciona con mayor eficacia en temperaturas domésticas normales, entre 55° y 110° F (13° y 43° C).

### Controles del refrigerador y del congelador

El control del refrigerador está localizado en la parte superior de la pared posterior de la sección del refrigerador.



El control del congelador está localizado en la parte delantera izquierda del techo de la sección del congelador.



### Ajuste de los controles

Cuando el control del congelador está colocado en la posición *DESACTIVADA (OFF)*, ni la sección del refrigerador ni la del congelador se enfriarán. Inicialmente, coloque ambos controles en 4. Espere 24 horas para que las secciones del refrigerador y del congelador establezcan la temperatura. Después de 24 horas, ajuste los controles, un solo número a la vez, según se desee. El 1 es el menos frío y el 7 el más frío.

Ajuste con precisión los controles utilizando un termómetro común que abarque temperaturas entre -5° y 50° F (-21° y 10° C).

Coloque el termómetro ajustadamente entre paquetes en la sección del congelador y espere de 5 a 8 horas. Si la temperatura del congelador no se encuentra entre 0° y 2° F (-17° y -16° C), ajuste el control, 1 solo número a la vez. Revise nuevamente después de 5 a 8 horas.

Coloque el termómetro en un vaso de agua en medio de la sección del refrigerador y espere 5 a 8 horas. Si la temperatura del refrigerador no se encuentra entre 38° y 40° F (3° y 4° C), ajuste el control, 1 solo número a la vez. Revise nuevamente después de 5 a 8 horas.

## Características del refrigerador

### Repisas del refrigerador

Las repisas se ajustan para satisfacer las necesidades individuales de almacenamiento. Algunos modelos vienen con repisas que contienen los derrames menores y que se deslizan hacia afuera. Las repisas que contienen los derrames menores facilitan la limpieza.

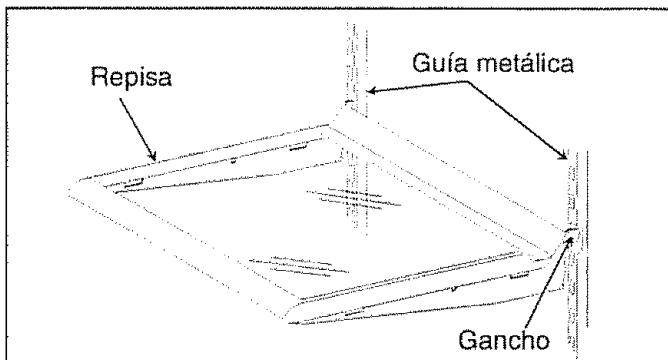


**PRECAUCIÓN:** Asegúrese que la repisa esté bien instalada antes de volver a colocar artículos sobre ella para evitar daños materiales.

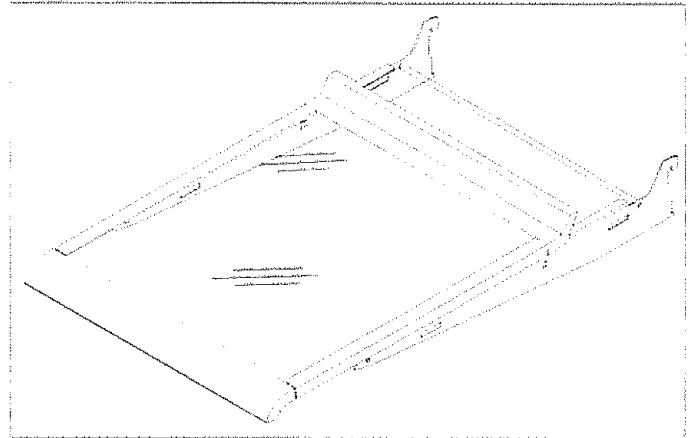


**PRECAUCIÓN:** Maneje con cuidado las repisas de vidrio templado para evitar lesiones personales o daños materiales. Las repisas se pueden romper súbitamente si tienen fracturas, rayaduras o se exponen a cambios repentinos de temperatura.

- Quite las repisas levantando la parte delantera y liberando los ganchos de la guía metálica, después jalándolas hacia afuera.
- Vuelva a colocar las repisas insertando los ganchos en la guía metálica y bajando la parte delantera.



Las repisas deslizables se pueden deslizar hacia adelante para tener acceso fácil a los artículos de la parte posterior.



### Cajones para mantener los alimentos crujientes (Crisper)

Los cajones Crisper conservan frescas las verduras por más tiempo. Envuelva las verduras firmemente. No lave las verduras antes de colocarlas en los cajones. El exceso de humedad podría causar que se echen a perder prematuramente. No forre los cajones para verduras con toallas de papel porque retienen la humedad.

El control Crisper está ubicado debajo del adorno de la repisa delantera. Deslice el control hacia *high (alta)* para productos que tienen hojas, como la lechuga, espinacas o repollo. Deslice el control hacia *low (baja)* para productos que tienen cáscara, como la coliflor, los elotes o los jitomates.

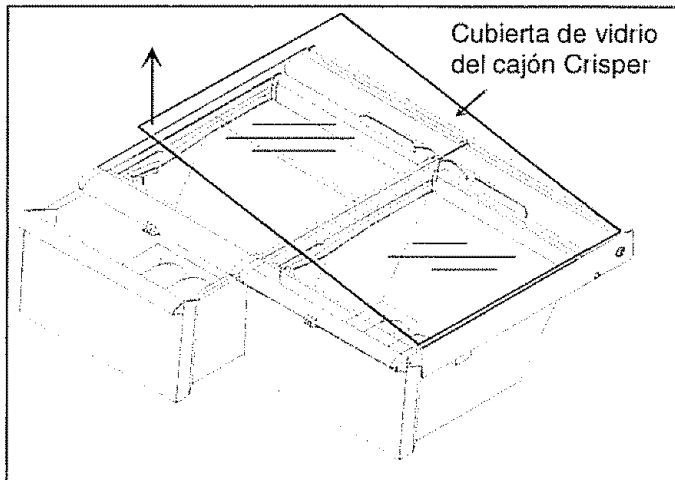
Quite las repisas y los cajones Crisper efectuando los pasos siguientes:

1. Abra el cajón izquierdo.
  - Para las puertas con las bisagras en el lado izquierdo, abra el cajón Crisper derecho.



**PRECAUCIÓN:** Maneje con cuidado las repisas de vidrio templado para evitar lesiones personales o daños materiales. Las repisas se pueden romper súbitamente si tienen fracturas, rayaduras o se exponen a cambios bruscos de temperatura.

2. Quite la cubierta de vidrio del cajón para verduras empujando suavemente hacia arriba desde abajo. Incline un extremo hacia arriba luego jálelo.



1. Saque el cajón levantándolo y jalándolo hacia afuera. Quite la repisa levantando desde la parte delantera y liberando los ganchos de la guía metálica y luego jale hacia afuera.
2. Quite el tapón de plástico de la pared posterior de la sección del refrigerador, poniendo un cuchillo cubierto con cinta adhesiva masking por debajo del tapón y jalándolo hacia adelante.

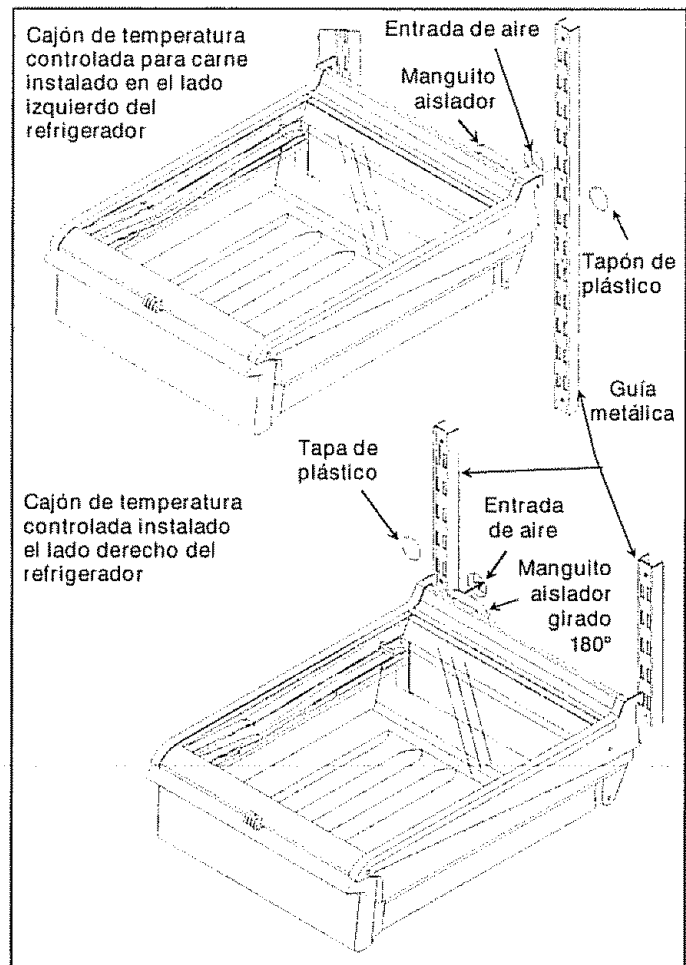
3. Quite el cajón para verduras izquierdo levantando la parte delantera mientras lo sostiene por debajo y luego jalándolo. Para las puertas con las bisagras en el lado izquierdo, quite el cajón para verduras derecho.
4. Extraiga el poste de soporte del orificio en el centro de la parte inferior de la sección de alimentos frescos.
5. Quite el otro cajón para verduras deslizándolo hacia la pared opuesta. Levante por delante el cajón mientras lo sostiene por debajo y luego jálelo.
6. Vuelva a colocar los cajones para verduras y la repisa repitiendo los pasos del 2 al 5 en orden inverso.

### Cajón de temperatura controlada para carne (en algunos modelos)

El cajón de temperatura controlada para carne es un cajón dentro de un compartimiento aislante. El aire del congelador circula entre el cajón y el compartimiento aislante. Este sistema conserva frescos los alimentos por más tiempo y hasta 5° F (3° C) más fríos que la temperatura del refrigerador.

El control del cajón de temperatura controlada se encuentra localizado debajo del adorno de la repisa delantera. El control ajusta la cantidad de aire que circula alrededor del cajón. Deslice el control hacia *COLD* (frío) para la temperatura normal del refrigerador y hacia *COLDER* (más frío) para la temperatura más fría. Es posible que se formen cristales de hielo en el cajón o en los alimentos en la posición *COLDER* (más frío). El aire frío que entra al cajón para carne puede disminuir la temperatura del refrigerador. Tal vez sea necesario ajustar el control del refrigerador para dar cabida al aire más frío.

El cajón de temperatura controlada para carnes puede cambiarse lado izquierdo al lado derecho del compartimiento del refrigerador para satisfacer las necesidades específicas de almacenamiento. Realice los siguientes pasos para cambiar de lugar el cajón.

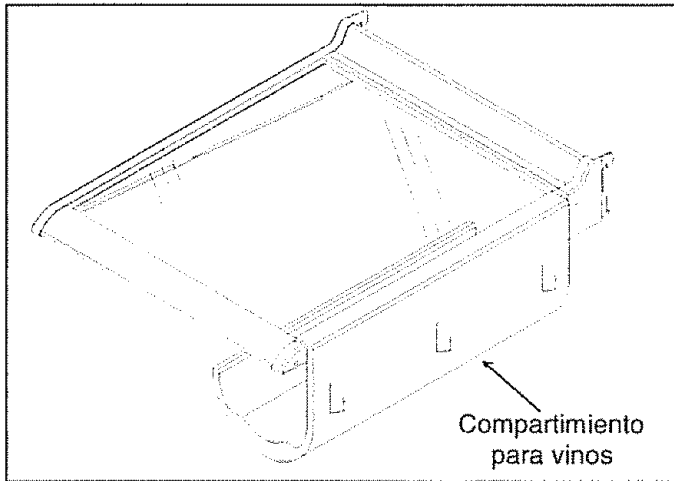


3. Gire el manguito aislador 180° hacia el lado contrario.
4. Introduzca el tapón de plástico en el lado contrario de la sección Alimentos frescos. Verifique que el tapón esté bien colocado en su lugar. El aire frío puede hacer que se congelen los alimentos si no se vuelve a colocar el tapón.
5. Vuelva a colocar la repisa insertando los ganchos en la guía metálica y bajando la parte delantera. Use las ranuras 4 a 6 solamente.
6. Vuelva a colocar el cajón deslizándolo hacia adentro. Cerciérese de que el manguito aislador quepa ajustadamente sobre la entrada de aire de la pared posterior.

### Compartimiento para botellas (en algunos modelos)

El compartimiento para botellas proporciona un conveniente lugar para guardar una botella de cuello largo, huevos, etc.

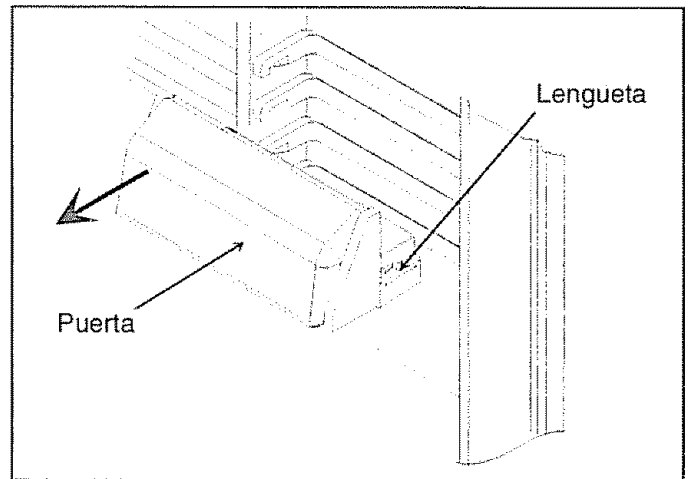
- Cuelgue este compartimiento enganchándolo por el lado de la repisa.



### Compartimientos para productos lácteos (en algunos modelos)

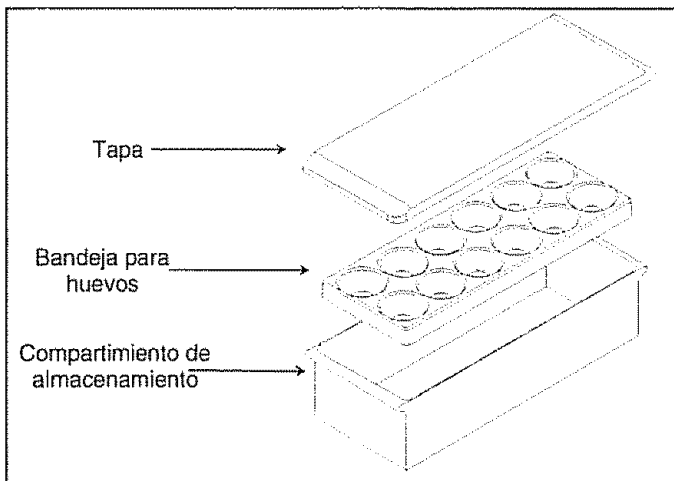
Los compartimientos para productos lácteos ofrecen un conveniente lugar para guardar mantequilla, queso, etc.

- Quite los compartimientos para productos lácteos levantando la puerta, empujando las lengüetas de la repisa en ambos lados y jalando hacia afuera.
- Vuelva a colocar los compartimientos para productos lácteos deslizándolos hasta que las pestañas encajen en su sitio y luego baje la puerta



### Compartimiento cubierto para almacenamiento (en algunos modelos)

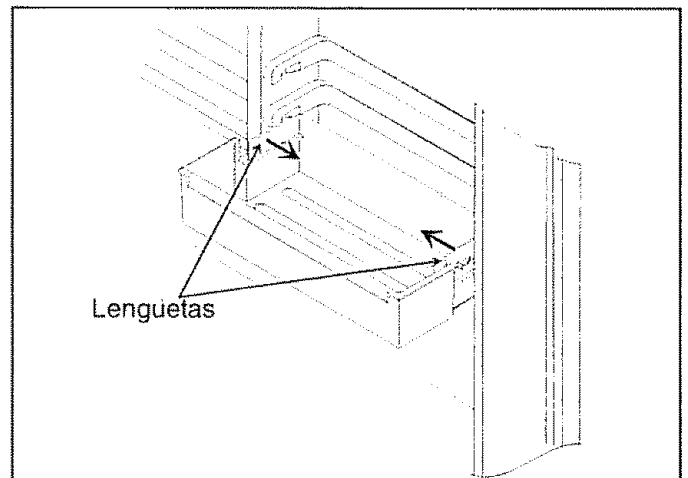
El compartimiento de almacenamiento tiene una tapa y una bandeja desmontable para huevos. Cuando se saca la bandeja, se pueden acomodar artículos tales como cajas regulares de huevos, hielo, etc.



### Compartimientos de la puerta

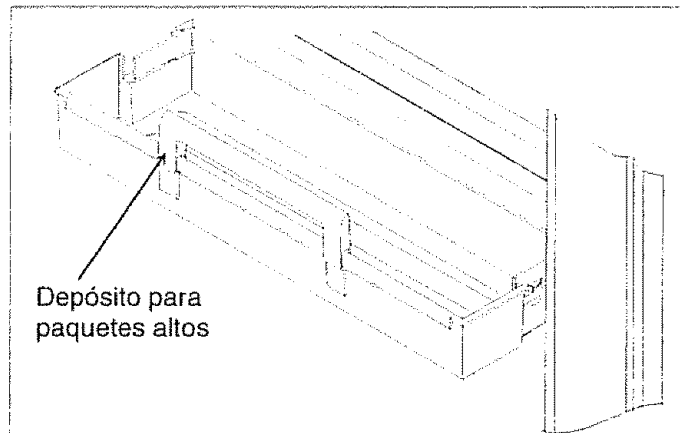
Los compartimientos de la puerta se ajustan para satisfacer las necesidades individuales de almacenamiento.

- Quite los compartimientos de la puerta empujando las lengüetas de los extremos de la repisa hacia el centro y jalando hacia afuera.
- Vuelva a poner los compartimientos de la puerta deslizándolos hasta que las lengüetas encajen en su sitio.



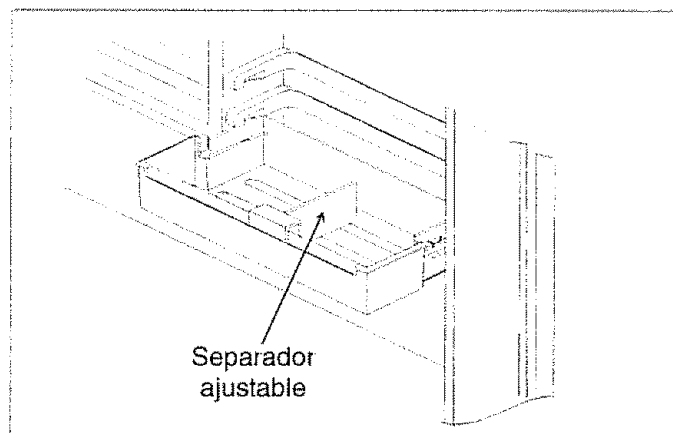
### Depósito para paquetes altos

El depósito para paquetes altos mantiene seguros los paquetes altos. El sujetador cabe en el borde delantero de cualquier recipiente de la puerta del refrigerador o en cualquier repisa de la puerta del refrigerador.



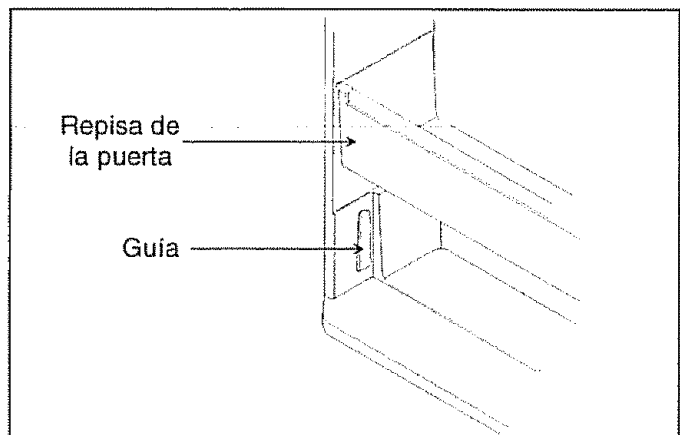
### Separador ajustable (en algunos modelos)

El separador ajustable mantiene los artículos en su sitio y se ajusta para satisfacer las necesidades individuales de almacenamiento. El separador cabe en cualquier compartimiento o repisa de la puerta.



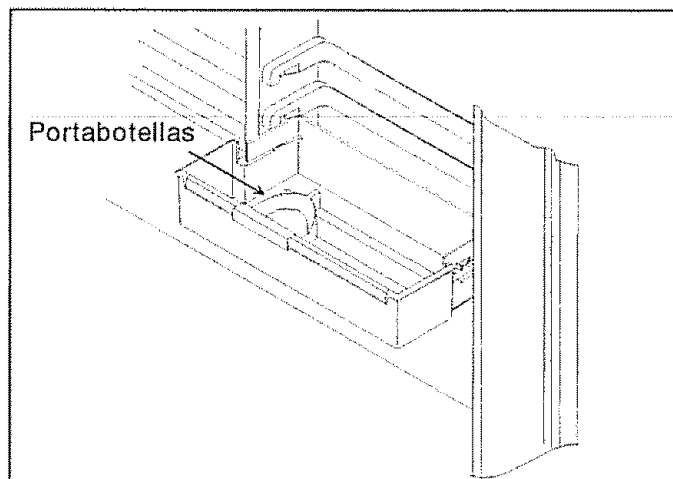
### Repisas de la puerta

- Quite las repisas de la puerta levantando los extremos y jalando hacia afuera.
- Vuelva a colocar las repisas sobre las guías y deslice hacia abajo.



### Portabotellas

El portabotellas mantiene los artículos en su sitio y se ajusta para satisfacer las necesidades individuales de almacenamiento. El portabotellas cabe en cualquier compartimiento o repisa de la puerta.



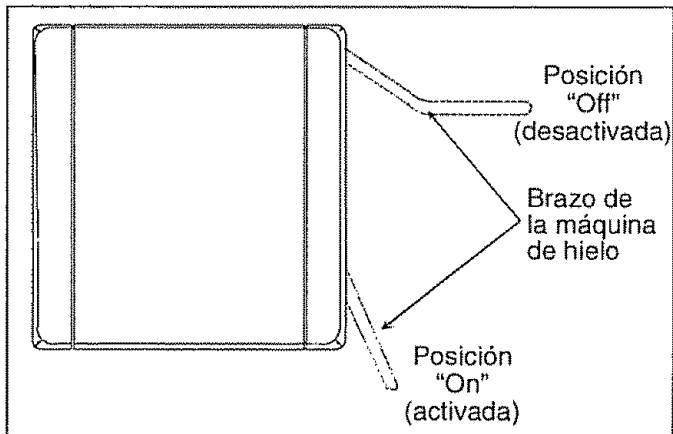
## Características del congelador

### Sistema sin escarcha (Frost-Free)

Las secciones del refrigerador y del congelador se mantienen completamente sin escarcha. La descongelación es automática bajo condiciones normales. Nunca se tiene que descongelar la sección del refrigerador ni la del congelador.

### Máquina de hielo automática (en algunos modelos)

- Verifique que los recipientes para hielo estén en su sitio y que el brazo de la máquina de hielo esté hacia abajo.



- Después que la sección del congelador alcanza la temperatura normal, la máquina de hielo se llena de agua y comienza a funcionar. Espere de 24 a 48 horas después de instalarla para que los hielos estén listos. La máquina de hielo produce de 7 a 9 raciones de hielo durante 24 horas bajo condiciones ideales.
- Después de que se forma el hielo, la máquina deja caer los hielos adentro del recipiente de hielo. Mientras el hielo se está haciendo, el brazo de la máquina se levanta y se baja. Cuando el recipiente de hielo se llena, el brazo de la máquina la desconecta.

**Nota:** Deseche las tres primeras raciones de hielo para que no consumir ninguna impureza que quede en la línea de agua al instalarla.

- Si desea detener la producción automática de hielo levante el brazo de la máquina. Se escucha claramente un chasquido cuando se coloca en la posición adecuada. El brazo de la máquina se quedará en esta posición hasta que se empuje hacia abajo.

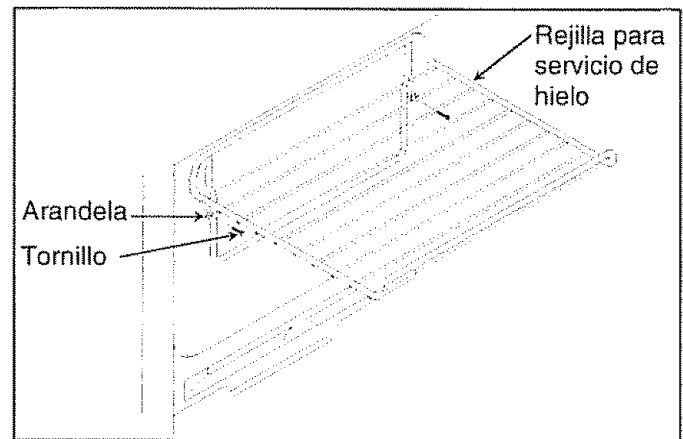
### Rejilla para servicio de hielo

Instale la rejilla para servicio de hielo realizando los pasos siguientes con un desarmador Phillips:

1. Afloje los tornillos y las arandelas que están en la pared lateral del congelador.
2. Coloque la rejilla para servicio de hielo en las arandelas y deslice hacia abajo.
3. Apriete los tornillos y las arandelas.

Mueva la rejilla para servicio de hielo ejecutando los pasos siguientes con un desarmador Phillips:

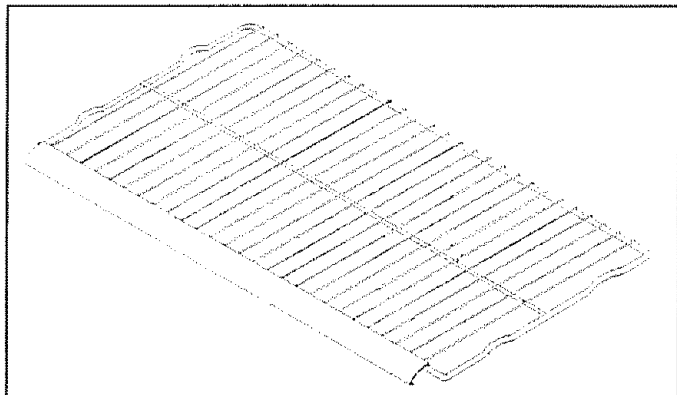
1. Quite la rejilla para servicio de hielo sacándola de las arandelas y jalándola hacia afuera.
2. Quite los tornillos y las arandelas que sostienen la rejilla para servicio de hielo. Extraiga los tapones de la pared del congelador opuesta a la rejilla para servicio de hielo. Vuelva a colocar los tapones con los tornillos y las arandelas. Introduzca los tapones en los orificios que quedaron en donde se quitaron los tornillos y las arandelas.
3. Vuelva a colocar la rejilla para servicio de hielo acomodándola en las arandelas y deslizándola hasta que quede asegurada.



**PRECAUCIÓN:** Verifique que la repisa esté segura antes de colocar artículos en ella para evitar daños materiales.

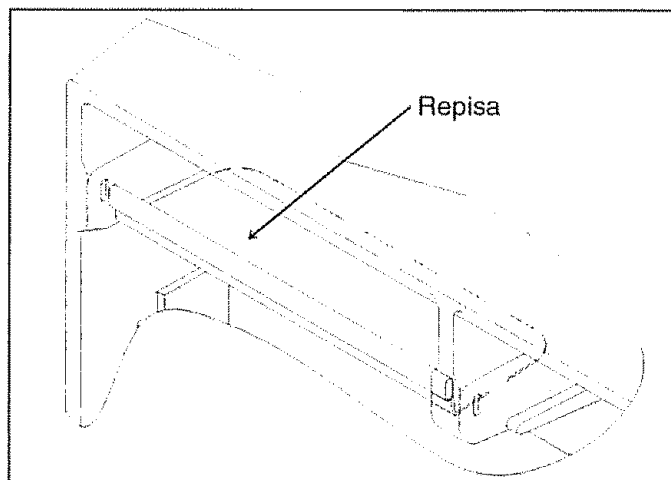
### Repisa de alambre

- Quite la repisa de alambre jalándola hacia afuera. Se puede necesitar una sacudida fuerte.
- Vuelva a colocar la repisa de alambre deslizándola hasta que su parte posterior quede en su sitio.



### Repisas de la puerta

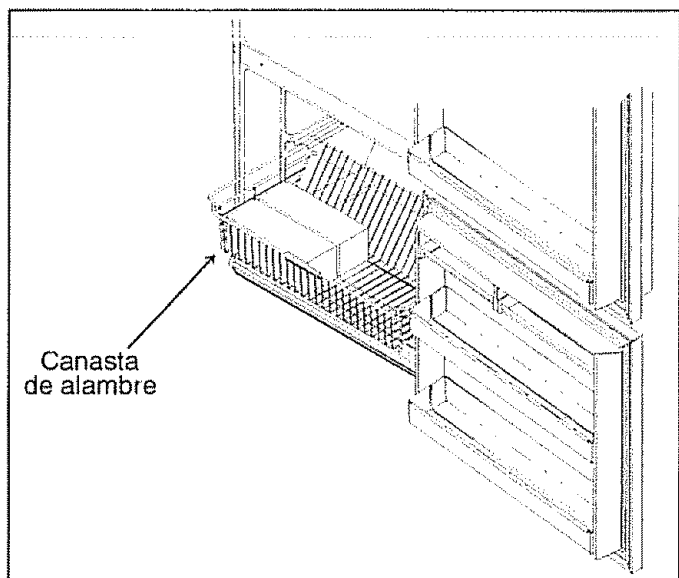
- Quite la repisa de la puerta deslizando el adorno hacia la derecha o izquierda y después hacia arriba. Levante la repisa y jálela hacia afuera.
- Vuelva a colocar la repisa sobre las guías y deslice el adorno hacia la derecha o izquierda y luego hacia abajo.



### Canasta de alambre

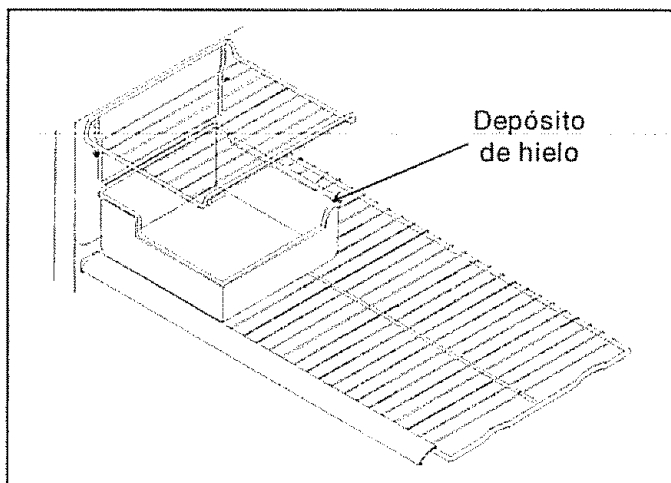
La canasta de alambre se desliza hacia afuera para tener acceso fácil a los artículos que están en la parte posterior.

- Quite la canasta de alambre levantándola y jalándola hacia afuera.
- Vuelva a colocar la canasta de alambre deslizándola hacia adentro.



### Depósito de hielo

El depósito de hielo está sobre la repisa para servicio de hielo en la repisa de alambre del congelador.



## Cuidado y limpieza



**ADVERTENCIA:** Desconecte la corriente eléctrica al refrigerador antes de limpiarlo para evitar descargas eléctricas que pueden causar lesiones personales graves o la muerte. Después de limpiarlo, vuelva a conectar la corriente.



**PRECAUCIÓN:** Lea y siga todas las instrucciones del fabricante de los productos de limpieza para evitar lesiones personales o daños materiales.

### Limpieza general

1. Lave las superficies con cuatro cucharadas de bicarbonato de sodio disuelto en un litro de agua tibia utilizando un trapo suave y limpio.
2. Enjuague las superficies con agua tibia. Seque las superficies con un trapo suave y limpio.
3. **NO UTILICE** los siguientes productos:
  - limpiadores abrasivos o ásperos tales como amoníaco, cloro, blanqueadores, etc.
  - detergentes o solventes concentrados
  - estropajos metálicosEstos productos pueden rayar, rajar y decolorar las superficies.
4. No lave las repisas, recipientes, etc. en una lavadora de platos automática.

### Adhesivos

1. Elimine el residuo de goma de las superficies del refrigerador frotando un poco de pasta dental sobre el adhesivo hasta aflojarlo.
2. Enjuague la superficie con agua tibia. Seque la superficie con un trapo limpio y suave.

### Empaques de la puerta

1. Limpie los empaques de la puerta cada 3 meses de acuerdo con las instrucciones de la sección "Limpieza general". Limpie los derrames inmediatamente.
2. Aplique una capa delgada de vaselina para mantener los empaques flexibles.

### Serpentines del condensador

Limpie el serpentín del condensador por atrás de la parrilla cada tres meses para asegurar un funcionamiento óptimo del refrigerador. La acumulación de polvo y pelusa puede causar lo siguiente:

- menor rendimiento de enfriamiento
  - aumento del consumo de energía
  - falla prematura de las piezas
1. Quite la rejilla de la base sosteniendo los extremos y jalándola hacia afuera del refrigerador.

2. Limpie la superficie delantera del serpentín con la boquilla de la manguera de una aspiradora.
3. Vuelva a colocar la rejilla de la base insertando y encajando las presillas en los agujeros del gabinete.
4. Eleve la pata estabilizadora (en algunos modelos) girándola en sentido contrario al de las manecillas del reloj.



**PRECAUCIÓN:** Proteja los pisos suaves de vinilo o de otros tipos con cartones, alfombras o algún otro material protector para evitar daños materiales.

5. Jale el refrigerador para separarlo de la pared. Pase el cepillo de la aspiradora sobre la rejilla que está en la parte posterior del refrigerador.

### Repisas de vidrio



**PRECAUCIÓN:** Maneje cuidadosamente las repisas de vidrio templado para evitar lesiones personales o daños materiales. Las repisas se pueden romper súbitamente si tienen fracturas, rayaduras o se exponen a cambios repentinos de temperatura.

Saque la repisa levantándola de la parte delantera, liberando los ganchos de los rieles metálicos, luego jalando la repisa hacia adelante. Colóquela sobre una toalla y permita que la repisa se adapte a la temperatura ambiental antes de limpiarla.

Limpie las hendiduras haciendo lo siguiente:

1. Diluya un detergente suave y aplíquelo en las hendiduras usando un cepillo con cerdas de plástico. Déjelo reposar durante cinco minutos.
2. Rocíe agua tibia en las hendiduras usando un aditamento para rociar agua desde el grifo.
3. Seque bien la repisa y vuelva a colocarla insertando los ganchos en los rieles metálicos y bajándola por la parte delantera.

### Eliminación de olores

1. Saque todos los alimentos y desconecte la corriente eléctrica al refrigerador.
2. Limpie todas las superficies interiores incluyendo el techo, el piso y las paredes de acuerdo con las instrucciones de limpieza de la sección "Limpieza general". Preste atención especial a las esquinas, hendiduras y ranuras. Incluya todos los accesorios, cajones, repisas y empaques.
3. Conecte la corriente eléctrica al refrigerador y vuelva a colocar los alimentos en el refrigerador. Lave y seque todos los recipientes. Guarde todos los alimentos en recipientes sellados herméticamente.

## Sugerencias para cuando sale de vacaciones

para evitar malos olores adicionales. Después de 24 horas revise si se ha eliminado el olor.

Ejecute los pasos 4 al 9. Si no se ha eliminado el olor, siga los pasos siguientes.

4. Coloque los cajones para verduras en la repisa superior de la sección del refrigerador. Llene las secciones del refrigerador y del congelador, incluyendo las puertas, con hojas estrujadas de periódico.
5. Coloque pedazos de carbón en diferentes lugares del periódico.
6. Cierre las puertas y deje reposar de 24 a 48 horas.
7. Saque los pedazos de carbón y los periódicos.
8. Ejecute los pasos 2 y 3.

Si aún no se ha eliminado el olor, comuníquese con un Centro de Servicio de Sears.

### Reemplazo de focos

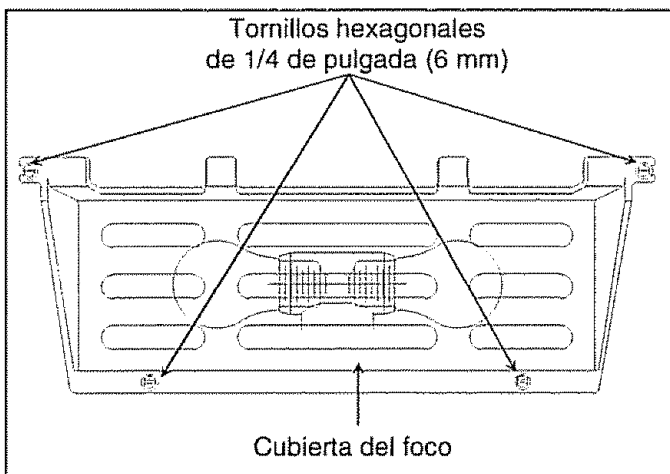


**ADVERTENCIA:** Desconecte la corriente eléctrica al refrigerador antes de cambiar los focos para evitar descargas eléctricas que podrían causar lesiones graves o la muerte. Después de cambiar los focos, vuelva a conectar la corriente



**PRECAUCIÓN:** Lleve a cabo lo siguiente para evitar lesiones personales o daños materiales.

- Permita que se enfríe el foco.
- Use guantes cuando reemplace el foco.
- Quite la tapa del foco extrayendo los tornillos hexagonales de 1/4 de pulgada (6 mm). Reemplace los focos con focos para electrodomésticos de 40 watts.
- Vuelva a colocar la tapa del foco atornillando los tornillos hexagonales de 1/4 de pulgada (6 mm).



Siga los pasos a continuación cuando tome unas vacaciones breves.

1. Saque los alimentos que se puedan echar a perder.
2. Si tiene instalada una máquina para hacer hielo, ponga el brazo de la máquina en posición desactivada (*off*). (Vea la sección "Máquina de hielo automática" en la página 31.)

Siga los pasos a continuación cuando tome vacaciones largas.

1. Vacíe las secciones del refrigerador y del congelador.
2. Desenchufe el refrigerador.
3. Limpie el refrigerador y los empaques de las puertas de acuerdo con las instrucciones de "Limpieza general" en la sección "Cuidado y limpieza".
4. Deje las puertas abiertas para que pueda circular el aire en el interior.
5. Si tiene instalada una máquina para hacer hielo, cierre el suministro del agua al refrigerador y ponga el brazo de la máquina en posición desactivada (*off*). (Vea la sección "Máquina de hielo automática" en la página 31.)

### Sugerencias para conservar energía

Este refrigerador ha sido diseñado para ser uno de los refrigeradores de mayor rendimiento de energía disponibles. Reduzca el consumo de energía llevando a cabo lo siguiente.

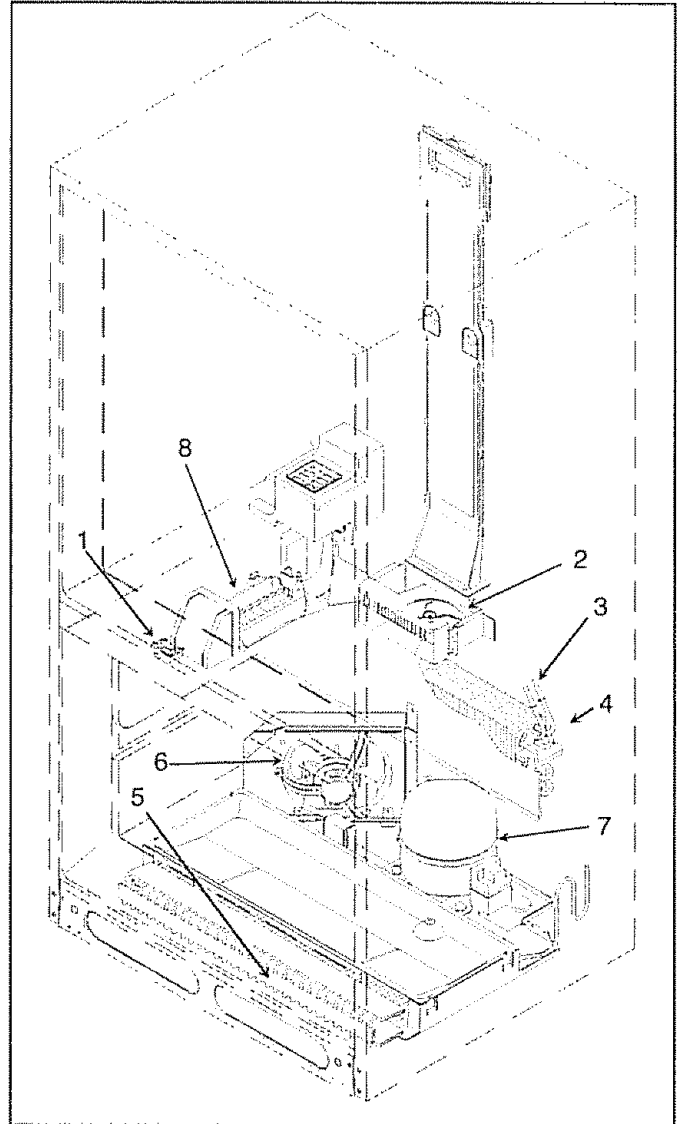
- Manténgalo funcionando a temperaturas normales entre 55° y 110° F (13° y 43° C) alejado de las fuentes de calor y de la luz directa del sol.
- Fije los controles del refrigerador, congelador y cajón de temperatura controlada para carne a una temperatura que no sea más fría de la necesaria.
- Mantenga llena la sección del congelador.
- Mantenga los empaques de la puerta limpios y flexibles. Cambie los empaques si están gastados.
- Mantenga limpios los serpentines del congelador.

## Sonidos normales de funcionamiento

Es posible que este refrigerador nuevo esté reemplazando a uno de diferente diseño, menos eficiente o más pequeño. Los refrigeradores actuales tienen características nuevas y un mejor rendimiento de energía. Como resultado de esto, ciertos sonidos pueden parecer poco comunes. Estos sonidos son normales y pronto le serán familiares. Estos sonidos indican también que el refrigerador está funcionando y rindiendo según su diseño.

1. **Control del congelador.** Hace un clic al arrancar o detenerse el compresor.
2. **Ventilador del congelador.** El aire se acelera y zumba.
3. **Sistema sellado** (evaporador e intercambiador de calor). El flujo del refrigerante gorgojea, cruje o suena como agua hirviendo.
4. **Calentador de descarchado.** Hace chirridos, silba o cruje.
5. **Reloj automático de descarchado.** Suena como un reloj eléctrico cuando comienza y termina del ciclo de descarchado.
6. **Ventilador del condensador.** El aire se acelera y zumba.
7. **Compresor.** Tiene un sonido de alta frecuencia de tarareo o pulsante, y se enciende y apaga en ciclos.
8. **Cubos de hielo.** De la máquina para hacer hielo (en algunos modelos) caen al recipiente.
9. **Conexión de la válvula de agua de la máquina para hacer hielo** (en algunos modelos). Zumba cuando la máquina para hacer hielo se llena con agua. Esto ocurre independientemente de que el refrigerador esté o no esté conectado al suministro de agua. Si no está conectado, anule el ruido colocando el brazo de la máquina para hacer hielo en la posición desactivada (*off*). La conexión de la válvula de agua está ubicada atrás del ventilador del condensador en la parte posterior del refrigerador.

**Nota:** El aislamiento de espuma tiene muy buen rendimiento de energía y excelente capacidad aislante. Sin embargo, no absorbe el ruido tanto como el aislamiento de fibra de vidrio que se usaba anteriormente.



## Antes de llamar para solicitar servicio

Problema	Solución
El refrigerador no funciona.	<ul style="list-style-type: none"> <li>• Compruebe que el control del congelador esté activado.</li> <li>• Compruebe que el refrigerador esté enchufado. Si no lo está, enchufe firmemente el cordón en una tomacorriente del voltaje apropiado.</li> <li>• Revise el fusible o cortacircuitos. Enchufe otro artefacto en el mismo tomacorriente de pared y si no funciona, reemplace el fusible o reajuste el cortacircuitos.</li> <li>• Si el control del congelador está activado, si funcionan las luces pero los dos ventiladores y el compresor no funcionan, el refrigerador podría estar en el ciclo de descarchado. Espere 40 minutos para ver si vuelve a arrancar.</li> </ul>
Aún no funciona el refrigerador	<ul style="list-style-type: none"> <li>• Desenchufe el refrigerador. Cambie los alimentos a otro refrigerador o ponga hielo seco en la sección del congelador para conservar los alimentos. Llame para solicitar servicio.</li> </ul>
La temperatura de los alimentos parece estar demasiado tibia.	<ul style="list-style-type: none"> <li>• Vea las secciones anteriores.</li> <li>• Deje que transcurra suficiente tiempo para que los alimentos tibios recientemente guardados alcancen la temperatura del refrigerador o del congelador. Al añadir alimentos se calienta el refrigerador y puede tomarle algunas horas volver a la temperatura normal.</li> <li>• Revise los empaques para ver si sellan correctamente. Los empaques deben sellar ajustadamente al gabinete.</li> <li>• Limpie los serpentines del condensador. Vea las instrucciones para el "Serpentines del condensador" en la sección "Cuidado y limpieza".</li> <li>• Ajuste el control del refrigerador o del congelador. Vea las instrucciones en "Ajuste de los controles" en la sección "Controles".</li> <li>• Las luces del congelador o refrigerador permanecen encendidas. Si la luz permanece encendida, llame para solicitar servicio.</li> <li>• Las rejillas de ventilación de aire de retorno que se encuentran detrás del cajón de frutas y verduras están bloqueadas y restringen el flujo de aire. Localice las rejillas de ventilación detrás del cajón de frutas y verduras y elimine la acumulación de polvo o suciedad que estén bloqueando las rejillas de ventilación u obstruyendo el flujo de aire.</li> </ul>
La temperatura del cajón de temperatura controlada para carne está muy tibia.	<ul style="list-style-type: none"> <li>• Deslice el control a una posición más fría.</li> <li>• Ajuste el control del congelador a una temperatura más fría. Vea las instrucciones en "Ajuste de los controles" en la sección "Controles".</li> <li>• Compruebe haber cambiado de lugar la tapa del cajón de temperatura controlada para carnes si ha cambiado el cajón del lado izquierdo al lado derecho del gabinete. Consulte la sección "Cajón de temperatura controlada para carnes".</li> </ul>
La temperatura de los alimentos es demasiado fría.	<ul style="list-style-type: none"> <li>• Limpie los serpentines del congelador. Vea las instrucciones de "Serpentines del congelador" en la sección "Cuidado y limpieza".</li> </ul>

## Antes de llamar para solicitar servicio

Problema	Solución
<p>La temperatura de los alimentos es demasiado fría (cont.)</p>	<ul style="list-style-type: none"> <li>• Ajuste el control del refrigerador. Vea las instrucciones en "Ajuste de los controles" en la sección "Controles".</li> <li>• Ajuste el control del congelador a una posición más tibia. Vea las instrucciones en "Ajuste de los controles" en la sección "Controles". Deje que pasen varias horas para que la temperatura se ajuste.</li> <li>• Compruebe que la tapa de plástico esté colocada en el lado opuesto del cajón de temperatura controlada para carnes. Consulte la sección "Cajón de temperatura controlada para carnes".</li> </ul>
<p>El refrigerador se acciona con demasiada frecuencia.</p>	<ul style="list-style-type: none"> <li>• Podría ser normal para mantener una temperatura constante.</li> <li>• Las puertas se han abierto frecuentemente o durante períodos prolongados de tiempo. Cuando se abre la puerta el aire tibio entra al refrigerador. Entre más se abre la puerta mayor es el aire tibio que el refrigerador tiene que enfriar.</li> <li>• Permita tiempo suficiente para que los alimentos tibios recientemente guardados alcancen la temperatura del refrigerador o del congelador. Puede tomar varias horas para que el refrigerador alcance otra vez la temperatura normal.</li> <li>• Limpie los serpentines del condensador. Vea las instrucciones de "Serpentines del condensador" en la sección "Cuidado y limpieza".</li> <li>• Ajuste el control del congelador. Vea las instrucciones en "Ajuste de los controles" en la sección "Controles".</li> <li>• Revise que los empaques sellen correctamente. Los empaques deben sellar ajustadamente al gabinete.</li> <li>• La luz del congelador permanece encendida. Si la luz permanece encendida, llame para solicitar servicio.</li> <li>• Cerciórese de que el refrigerador esté nivelado. Consulte la sección "Nivelación del refrigerador" en las instrucciones de instalación.</li> </ul>
<p>Se forman gotas de agua dentro del refrigerador.</p>	<ul style="list-style-type: none"> <li>• Es normal durante períodos de alta humedad o si se abren las puertas con mucha frecuencia.</li> <li>• Envuelva bien los alimentos y seque los recipientes húmedos antes de guardarlos en el refrigerador para evitar la acumulación de humedad.</li> </ul>
<p>Se forman gotas de agua fuera del refrigerador.</p>	<ul style="list-style-type: none"> <li>• Revise los empaques de la puerta para ver si sellan correctamente. Los empaques deben sellar ajustadamente al gabinete.</li> <li>• Es normal durante períodos de alta humedad o si se abren las puertas con mucha frecuencia.</li> </ul>

## Antes de llamar para solicitar servicio

Problema	Solución
Los cajones de temperatura controlada para carne o para verduras no cierran con facilidad (en algunos modelos).	<ul style="list-style-type: none"> <li>• Revise si hay un paquete que impida que cierre bien el cajón.</li> <li>• Compruebe que el cajón esté en la posición correcta.</li> <li>• Limpie los canales del cajón con agua tibia y jabonosa. Enjuague y seque bien.</li> <li>• Aplique una capa delgada de vaselina a los canales del cajón.</li> <li>• Compruebe que el refrigerador esté nivelado.</li> </ul>
El refrigerador tiene mal olor.	<ul style="list-style-type: none"> <li>• Consulte las instrucciones para la "Eliminación de olores" en la sección de "Cuidado y limpieza".</li> </ul>
El refrigerador hace sonidos poco comunes o que parecen demasiado altos.	<ul style="list-style-type: none"> <li>• Podría ser normal. Consulte la sección de "sonidos normales del funcionamiento".</li> </ul>
Los cubos de hielo tienen mal olor.	<ul style="list-style-type: none"> <li>• Consulte las instrucciones para la "Eliminación de olores" en la sección de "Cuidado y limpieza".</li> <li>• La máquina para hacer hielo se instaló recientemente. Deseche varios lotes de hielo para evitar hielos descoloridos o con mal sabor.</li> <li>• Hay alimentos que no están bien sellados en el compartimiento del refrigerador o del congelador. Vuelva a envolver los alimentos ya que los olores pueden impregnar el hielo si los alimentos no están apropiadamente envueltos.</li> <li>• Deseche el hielo y lave el recipiente o las bandejas más frecuentemente. Los cubos de hielo son porosos y absorben fácilmente los olores.</li> <li>• El suministro de agua contiene minerales tales como sulfuro. En algunos casos se necesita instalar un filtro para eliminar los problemas con el sabor y con el olor.</li> </ul>
Los cubos de hielo se pegan o se "encogen".	<ul style="list-style-type: none"> <li>• Vacíe el recipiente o las bandejas para hielo con más frecuencia. Si se usan con poca frecuencia, los cubos pueden pegarse o encogerse.</li> </ul>
La máquina de hielo no está haciendo hielo.	<ul style="list-style-type: none"> <li>• La presión del agua puede estar muy baja o muy alta. La máquina de hielo requiere una presión de agua de 20 a 120 psi para funcionar de modo apropiado.</li> <li>• Compruebe que el brazo de la máquina de hielo está hacia abajo. Vea la sección "Máquina de hielo automática".</li> <li>• Compruebe que el suministro de agua de la casa llega a la válvula de agua. Asegúrese de que la llave de la válvula de agua está completamente abierta.</li> </ul>

## Antes de llamar para solicitar servicio

Problema	Solución
La máquina de hielo no está haciendo hielo (cont.)	<ul style="list-style-type: none"> <li>• Compruebe que los alambres del arnés de la máquina de hielo están completamente dentro de los orificios apropiados.</li> <li>• Revise para ver si hay torceduras en las tuberías de cobre o de plástico. Elimine las torceduras o reemplace la tubería.</li> <li>• Revise las conexiones eléctricas al serpentín de la válvula del agua y el bloc conector en el gabinete del refrigerador.</li> <li>• Si se instaló un filtro de agua en la línea de agua afuera del refrigerador, revise el filtro para ver si hay obstrucciones o si fue instalado incorrectamente.</li> </ul>
La máquina de hielo no produce suficiente hielo.	<ul style="list-style-type: none"> <li>• La máquina de hielo se instaló recientemente o se usó recientemente una cantidad grande de hielo. Espere 24 horas para que la producción de hielo comience y para que la máquina de hielo se surta después de ser vaciada.</li> <li>• Compruebe que el suministro de agua llega a la válvula de agua. Asegúrese que la llave de la válvula de agua esté completamente abierta.</li> <li>• Se usó una válvula de tipo de penetración o de silla de <math>\frac{3}{16}</math>" para la conexión. Ambas reducen el flujo de agua y pueden obstruirse con el tiempo. Reemplace estas válvulas con el tipo correcto de válvula de silla que requiere que se haga un orificio de <math>\frac{1}{4}</math>" en la tubería de suministro de agua antes de conectar la válvula.</li> <li>• Revise para ver si hay torceduras en las tuberías de cobre o de plástico. Elimine las torceduras o reemplace la tubería.</li> <li>• Compruebe que la sección del congelador está funcionando a la temperatura apropiada. El congelador debe estar lo suficientemente frío para producir hielo. Vea la sección de "Ajuste de los controles".</li> </ul>
Se forma hielo en el tubo de entrada de la máquina de hielo.	<ul style="list-style-type: none"> <li>• Revise la presión del agua. La presión de agua baja causa que la válvula gotee.</li> </ul>

## Garantía

### **Garantía completa de un año en el refrigerador**

Por un año a partir de la fecha de compra, cuando a este refrigerador se le da el funcionamiento y el mantenimiento indicados en las instrucciones adjuntas o proporcionadas con él, Sears reparará este refrigerador, sin cargo alguno, por defectos de fabricación y materiales.

### **Garantía completa de cinco años en el sistema de refrigeración sellado**

Por cinco años a partir de la fecha de compra, cuando a este refrigerador se le da el funcionamiento y el mantenimiento indicados en las instrucciones adjuntas o proporcionadas con el, Sears reparará el sistema sellado (que consiste del refrigerador, tubería de conexión y motor del compresor) sin cargo alguno, por defectos de fabricación y materiales.

La cobertura de garantía anterior se aplica sólo a los refrigeradores que se usan para almacenar alimentos en hogares particulares.

El servicio de garantía está a su disposición comunicándose al 1-800-4-MY-HOME (469-4663).

Esta garantía se aplica solamente mientras este producto se use en los Estados Unidos.

Esta garantía otorga derechos legales específicos y usted puede tener también otros derechos, los cuales pueden variar en distintos estados.

Sears, Roebuck y Co., Depto. 817WA, Hoffman Estates, IL 60179 EE.U.U.



## Normes électriques



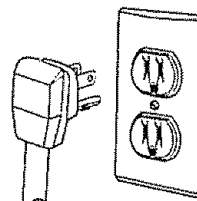
Ce symbole signale une mesure de sécurité.



**DANGER:** Instructions de mise à la terre — Ce réfrigérateur est muni d'une fiche à 3 broches pour prévenir les risques d'électrocution. Si la prise de courant disponible convient uniquement à une fiche à 2 broches, contacter un électricien qualifié et la faire remplacer par une prise de courant à 3 orifices correctement reliée à la terre, conformément au Code national de l'électricité.

Le réfrigérateur est conçu pour fonctionner sur une ligne séparée de 60 Hz, 15 A, de 103 à 126 V.

**Ne jamais, en aucune circonstance, couper ou enlever la broche ronde de mise à la terre de la fiche. Le réfrigérateur doit être relié à la terre en tout temps. Ne pas enlever l'étiquette de mise en garde du cordon d'alimentation.**



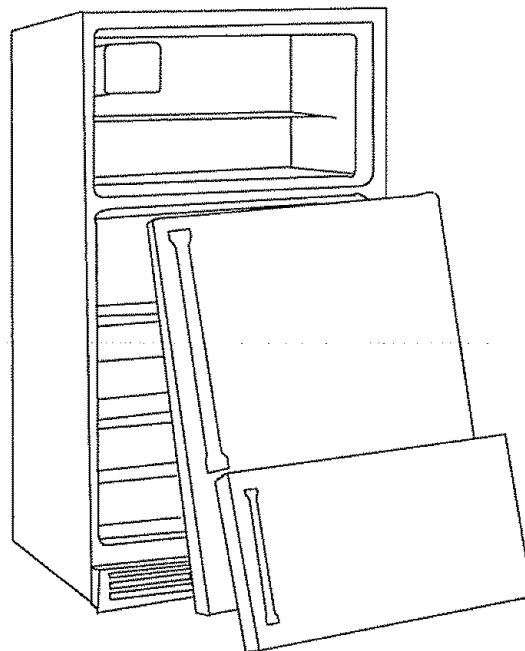
**DANGER:** Ne pas utiliser d'adaptateur à deux broches. Ne pas utiliser de rallonge.

### Mise au rebut du réfrigérateur

**IMPORTANT :** Les enfants qui se trouvent enfermés dans un réfrigérateur et y meurent d'asphyxie ne sont pas un problème du passé. Les réfrigérateurs mis au rebut ou abandonnés sont encore dangereux, même s'ils ne sont là que "pour quelques jours". Lors de la mise au rebut d'un réfrigérateur, veiller à suivre les indications ci-dessous pour éviter les accidents.

#### AVANT DE JETER VOTRE VIEUX RÉFRIGÉRATEUR OU CONGÉLATEUR :

- Enlever les portes.
- Laisser les étagères en place de façon à ce que les enfants aient des difficultés à se glisser à l'intérieur.



## Table des matières

Normes électriques .....	42
Mise au rebut du réfrigérateur .....	42
Liste de vérification de la mise en service .....	43
Consignes de mise en service .....	44
Espace nécessaire .....	44
Mise à niveau du réfrigérateur .....	44
Inversion des portes .....	44
Raccordement de l'appareil à glace à l'alimentation en eau (certains modèles) .....	46
Commandes .....	47
Thermostats du réfrigérateur et du congélateur .....	47
Réglage des thermostats .....	47
Composants du réfrigérateur .....	48
Tablettes du réfrigérateur .....	48
Bacs à légumes .....	48
Bac à viande à température contrôlée (certains modèles) .....	49
Porte-bouteilles (certains modèles) .....	50
Bac utilitaire avec couvercle (certains modèles) .....	50
Casier laitier (certains modèles) .....	50
Bacs de porte .....	50
Dispositif de retenue pour articles en hauteur .....	51
Balconnets de porte .....	51
Séparateur réglable (certains modèles) .....	51
Stabilisateur de bouteilles .....	51
Composants du congélateur .....	52
Système auto-dégivrant .....	52
Appareil à glace (certains modèles) .....	52
Grille utilitaire à glaçons .....	52
Clayette métallique .....	53
Panier métallique .....	53
Balconnets de porte .....	53
Bac à glace .....	53
Entretien et nettoyage .....	54
Indications générales .....	54
Adhésifs .....	54
Joint de portes .....	54
Serpentin du condenseur .....	54
Tablettes en verre .....	54
Élimination des odeurs .....	54
Remplacement des ampoules électriques .....	55
Conseils pour les vacances .....	55
Conseils pour des économies d'énergie .....	55
Bruits normaux .....	56
Avant d'appeler service de dépannage .....	57
Garantie .....	61

### Remarque

La traduction peut parfois donner à des variations dans le sens des termes. Dans tous les cas où il y aura une différence de sens, la version anglaise de ce document prévaut.

## Liste de vérification de la mise en service

Assurer le bon fonctionnement du réfrigérateur comme suit :

### Portes

- Les poignées sont solidement fixées en place.
- Le côté poignée de la porte est 1/8 po (3 mm) plus haut que le côté charnières de la porte (voir les indications de la page 6).
- Les portes ferment parfaitement l'armoire du réfrigérateur.

### Mise à niveau

- Le réfrigérateur est 1/4 po (6 mm) plus haut à l'avant qu'à l'arrière et de niveau d'un côté à l'autre.

### Appareil à glaçons

- L'alimentation en eau du réfrigérateur est raccordée à celui-ci et ouverte.
- Il n'y a pas de fuites au niveau du raccord entre l'alimentation en eau et le réfrigérateur. (Revérifier qu'il n'y a pas de fuites au bout de 24 heures.)
- Le bras-levier de l'appareil à glace est en position de fabrication de glaçons. (La fabrication du premier lot de glace peut prendre jusqu'à 24 heures.)

### Alimentation électrique

- Une prise murale à trois trous correctement reliée à la terre est utilisée pour le branchement du réfrigérateur.

## Consignes de mise en service

Une mise en service correctement effectuée assure le fonctionnement efficace du réfrigérateur.

### Espace nécessaire

**! DANGER** : Conserver toutes matières ou vapeurs inflammables telles que l'essence à distance sûre du réfrigérateur. Le non respect de cette consigne risque d'entraîner une explosion, un incendie, des brûlures, voire la mort.

- Laisser un espace de 1 po (2,5 cm) au haut du réfrigérateur pour assurer un apport d'air suffisant.
- Si le réfrigérateur est équipé d'un appareil à glace, veiller à laisser suffisamment d'espace à l'arrière pour le raccordement à l'alimentation en eau. S'il n'est pas équipé d'un appareil à glace, il peut toucher le mur arrière.
- Si le réfrigérateur est placé près d'un mur ou d'une cloison, laisser un minimum de 2 1/2 po (64 mm) de chaque côté (en fonction du modèle) pour permettre l'ouverture de la porte à 90°.

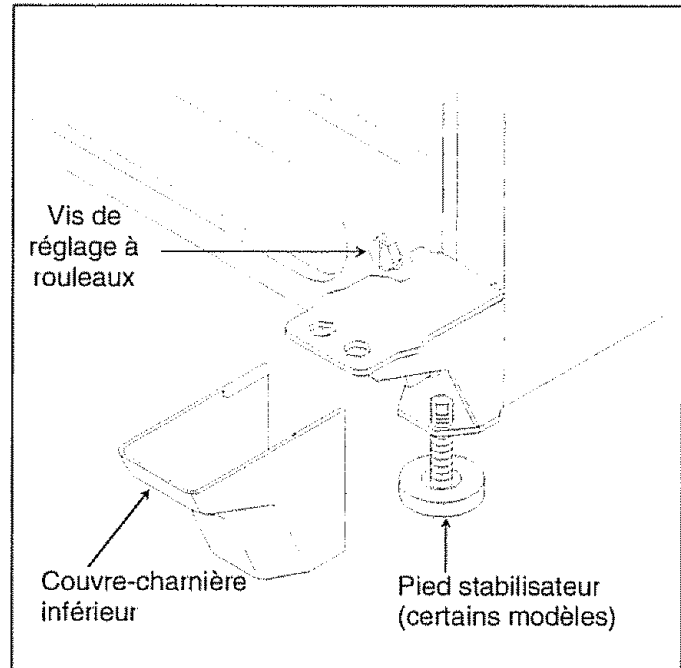
**REMARQUE** : Ne pas placer le réfrigérateur près d'un four, d'un radiateur ou d'une autre source de chaleur ni dans un endroit où la température risque de tomber au-dessous de 55° F (13° C).

### Mise à niveau du réfrigérateur

Dans certains cas, la porte doit être inversée pour permettre son ouverture complète. Si c'est le cas, passer à la partie "Inversion des portes" avant de mettre le réfrigérateur de niveau.

Si le réfrigérateur doit être raccordé à l'alimentation en eau, passer à la partie "Raccordement de l'appareil à glace", page 6, avant de mettre le réfrigérateur de niveau.

1. Brancher le réfrigérateur.
2. Le mettre à son emplacement final.
3. Mettre le réfrigérateur de niveau à l'aide d'un niveau placé sur le dessus du réfrigérateur.
  - Enlever la grille de ventilation. Enlever le couvre-charnière inférieur si le réfrigérateur est doté d'un pied stabilisateur.
  - Tourner les vis de réglage à rouleaux pour élever ou abaisser le réfrigérateur. Le devant de l'appareil doit être 1/4 po (6 mm), soit 1/2 bulle sur le niveau, plus haut que l'arrière.
  - S'assurer que le réfrigérateur est de niveau sur le plan latéral en réglant les vis à rouleaux gauche et droite.
  - Tourner le pied stabilisateur (certains modèles) dans le sens des aiguilles d'une montre jusqu'à ce qu'il repose fermement sur le plancher.



### Inversion des portes

**! ATTENTION** : Pour éviter tous dommages, protéger les planchers en vinyle ou de tout autre type avec du carton, de la moquette ou un autre matériau protecteur.

Dans certains cas, la porte doit être inversée pour permettre son ouverture complète. Pour inverser les portes, procéder comme suit :

#### Outils nécessaires

Couteau à mastic (lame recouverte de ruban-masque)  
Tourne-écrou de 5/16 po (8 mm)  
Tourne-écrou de 3/8 po (16 mm)  
Tournevis cruciforme  
Tournevis à lame plate

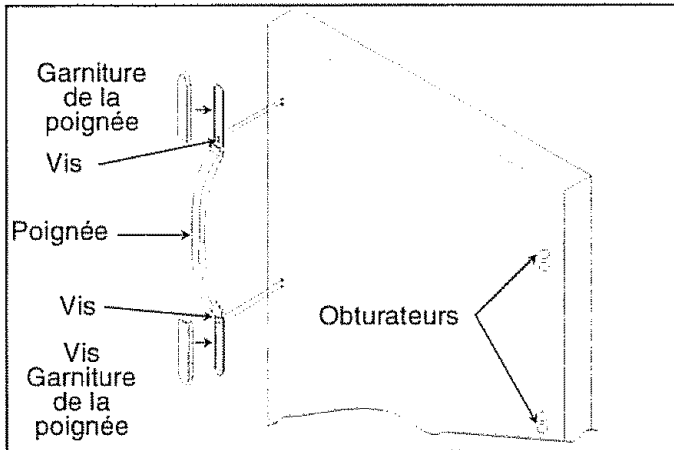
1. Enlever et inverser la poignée des portes du réfrigérateur.

**IMPORTANT** : Pour éviter que les surfaces du réfrigérateur ne se trouvent éraflées lors des manipulations ci-dessous, **il faut impérativement couvrir la lame du tournevis et du couteau à mastic de ruban-masque.**

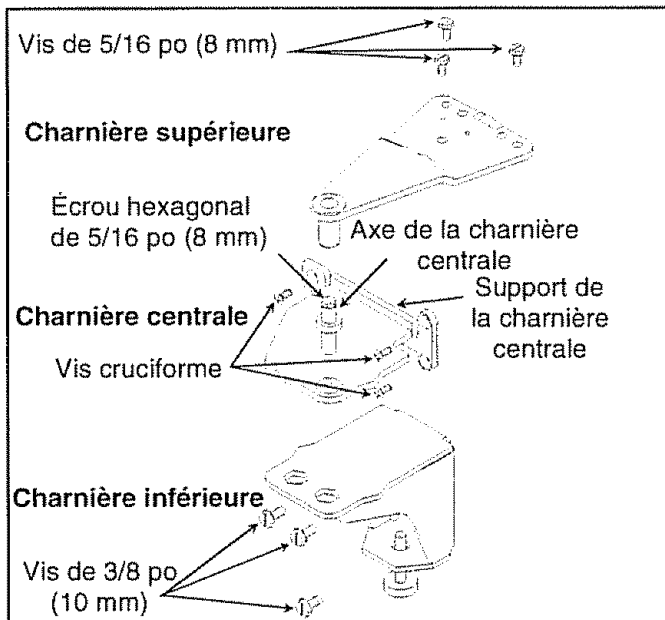
- À l'aide d'un couteau à mastic dont la lame a été recouverte de ruban-masque, faire levier sur la garniture de la poignée pour l'enlever. Enlever la poignée de la porte en retirant les deux vis de montage à chaque extrémité de la poignée.
- À l'aide d'un couteau à mastic dont la lame a été recouverte de ruban-masque, faire levier sur les deux obturateurs du côté charnière de la porte.

Monter la poignée de l'autre côté de la porte à l'aide des quatre vis retirées précédemment. Si le bouchon du réfrigérateur est muni d'une tête cruciforme, utiliser un tournevis cruciforme pour retirer le bouchon du réfrigérateur.

- Enclencher la garniture de la poignée en place. Mettre les quatre obturateurs dans les orifices de montage vides.

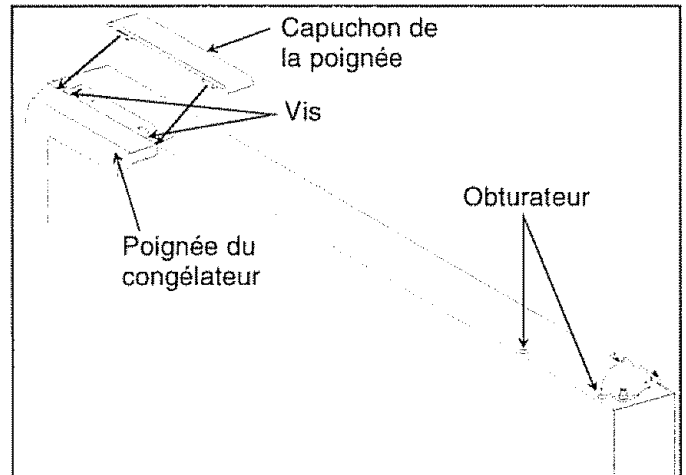


2. Enlever le couvre-charnière supérieur qui se détache simplement. À l'aide du tourneécrou, retirer la charnière supérieure et sa cale.
3. Soulever la porte du réfrigérateur du gond central.
4. Enlever le ferme-porte de l'axe de la charnière centrale et retirer cette dernière.
5. Enlever la porte du réfrigérateur en la soulevant de la charnière inférieure.
6. Enlever le support de la charnière centrale et sa cale à l'aide du tournevis cruciforme.
7. Enlever la grille de ventilation et le couvre-charnière inférieur.
8. Enlever la charnière inférieure et la cale à l'aide du tourne-écrou.



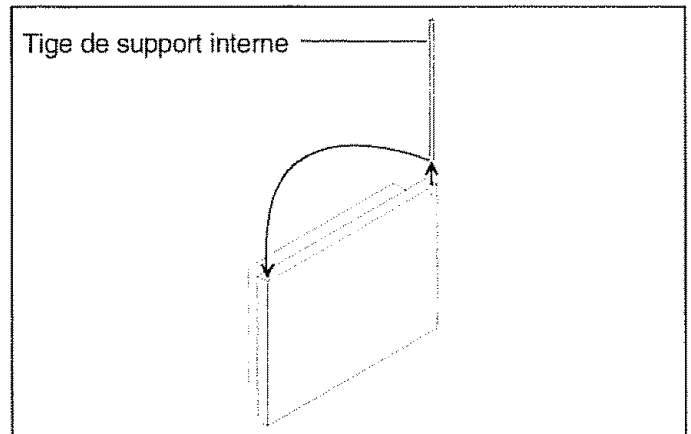
9. Enlever et inverser la poignée des portes du congélateur

- À l'aide d'un couteau à mastic dont la lame a été recouverte de ruban-masque, faire levier sur le rebord arrière du capuchon de la poignée et enlever celui-ci. Enlever la poignée de la porte en retirant les vis de montage de chaque côté de la poignée.
- À l'aide d'un couteau à mastic dont la lame a été recouverte de ruban-masque, faire levier sur les deux obturateurs du côté charnière de la porte.



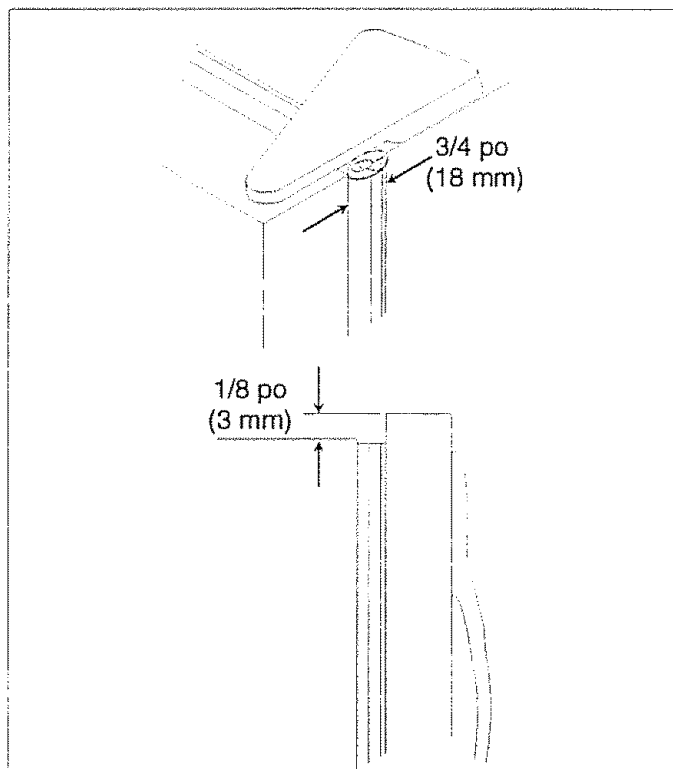
10. S'il y a lieu, inverser les portes en procédant comme suit.

- À l'aide d'un couteau à mastic dont la lame a été recouverte de ruban-masque, enlever les obturateurs du côté opposé de l'armoire du réfrigérateur et les insérer dans les orifices laissés par la dépose des charnières.
- Remettre la tige de support interne sur le côté charnière de la porte du congélateur avant de poser la porte.



11. Reprendre les portes. Pour cela, remettre les charnières inférieure, centrale et supérieure en place de l'autre côté du réfrigérateur, de même que la porte du réfrigérateur et du congélateur, en procédant à l'inverse des étapes 2 à 8.

- Utiliser une pièce d'un sou sur le dessus des portes pour créer un espace de  $\frac{3}{4}$  po (18 mm) entre la porte et l'appareil.
- Le côté de la porte où se trouve la poignée doit être  $\frac{1}{8}$  po (3 mm) plus élevé que le côté charnière. La porte est de niveau lorsqu'elle est remplie de nourriture.



12. Monter la poignée de l'autre côté de la porte à l'aide des deux vis retirées précédemment.
- Orienter le rebord avant du capuchon de la poignée vers le bas, vers la lèvre arrière de la poignée du congélateur. Vérifier que la patte inférieure du capuchon se glisse sous la lèvre arrière de la poignée du congélateur. Enclencher le rebord arrière du capuchon en place. Mettre les deux obturateurs dans les orifices de montage vides.

## Raccordement de l'appareil à glace à l'alimentation en eau (certains modèles)

**! DANGER** : Pour éviter tout risque d'électrocution pouvant causer des blessures graves voire mortelles, débrancher le réfrigérateur avant de faire le raccordement à l'alimentation en eau. Le rebrancher une fois le raccordement effectué.

**! ATTENTION** : Observer les consignes suivantes pour éviter tous dommages matériels:

- S'assurer que la pression de l'eau à l'électrovanne est bien entre 20 et 100 livres par pouce carré (690 kPa).
- Serrer les raccords et les écrous à l'aide de pinces et de clés. Ne pas trop serrer.
- Vérifier qu'il n'y a pas de fuites et les réparer s'il y a lieu avant de mettre le réfrigérateur à son emplacement final. Revérifier s'il y a des fuites 24 heures plus tard.

### Important

- Avant d'effectuer le raccordement à l'alimentation en eau, contacter un plombier pour faire le raccordement de la conduite en cuivre sur l'arrivée d'eau de la maison conformément aux codes et règlements locaux.
- NE PAS utiliser de robinet à étrier de  $\frac{3}{16}$  po (5 mm) ni de robinet auto-taraudeur. L'un comme l'autre réduisent le débit d'eau, se bouchent au fil des années et peuvent par ailleurs provoquer des fuites lorsqu'on essaie de les réparer. Pour convenir, un robinet d'arrêt exige le percement d'un trou de  $\frac{1}{4}$  po (6 mm) dans la conduite d'alimentation en eau avant d'y fixer le robinet.
- Ne pas installer le tuyau d'alimentation en eau dans un endroit où la température peut être inférieure à 32° (0°).

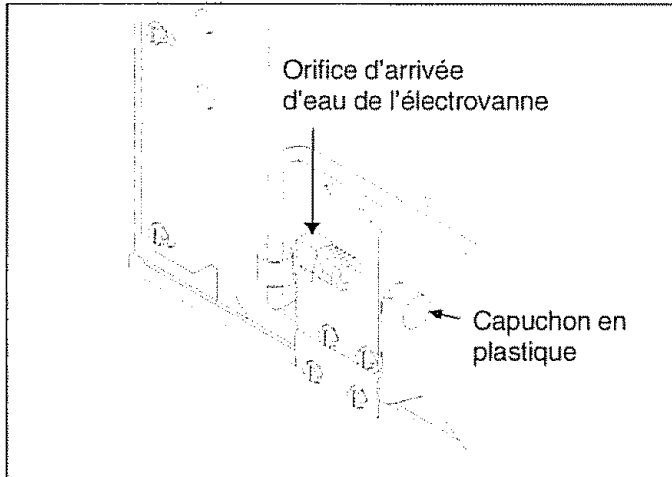
### Matériel nécessaire

Une tubulure flexible en cuivre de  $\frac{1}{4}$  po (6 mm) D.E. est nécessaire. La longueur de la conduite doit être suffisante pour couvrir la distance entre l'arrivée d'eau de l'électrovanne et le point de raccordement à l'alimentation en eau, additionnée de 8 pi (2 m) pour former, à l'arrière du réfrigérateur, une boucle permettant le déplacement de celui-ci sans avoir à désolidariser la conduite.

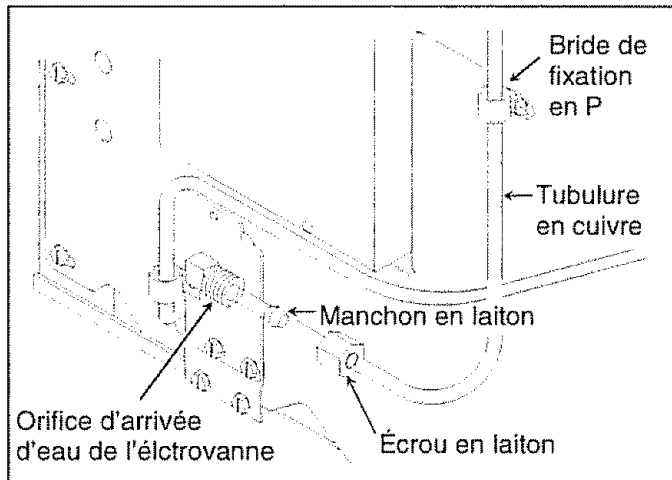
### Marche à suivre

1. Enlever le capuchon en plastique de l'orifice d'arrivée d'eau de l'électrovanne.

## Commandes



2. Mettre l'écrou et le manchon en laiton sur la tubulure en cuivre. (Ceux-ci se trouvent dans le paquet d'imprimés.) Insérer la tubulure en cuivre dans l'orifice d'arrivée d'eau de l'électrovanne. Raccorder l'écrou en laiton qui se trouve sur la tubulure en cuivre à l'orifice d'arrivée d'eau de l'électrovanne. Veiller à ce que la tubulure soit bien en place en tirant dessus.

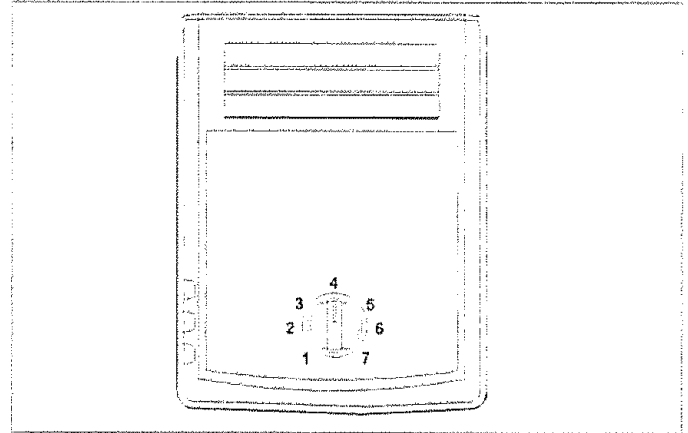


3. Ouvrir l'alimentation en eau du réfrigérateur et vérifier qu'il n'y a pas de fuites. Réparer toute fuite au niveau du raccordement. Veiller à ne pas trop serrer l'écrou.
4. Faire une boucle de service en veillant soigneusement à éviter de plier la tubulure. Fixer la tubulure sur le réfrigérateur à l'aide de la bride de fixation en P. Il est très important de bien fixer le tuyau en cuivre au réfrigérateur pour éviter le risque de fuites lorsque le réfrigérateur est poussé dans l'ouverture. Il est très important de bien fixer le tuyau en cuivre au réfrigérateur pour éviter le risque de fuites lorsque le réfrigérateur est poussé dans l'ouverture.

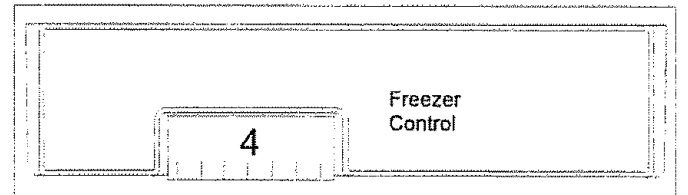
Ce réfrigérateur est conçu pour fonctionner à température ambiante normale à l'intérieur d'une maison, de 55 ° à 110 ° F (13 ° à 43 ° C).

### Thermostats du réfrigérateur et du congélateur

Le thermostat du réfrigérateur se trouve au haut de la paroi arrière du compartiment réfrigérateur.



Le thermostat du congélateur se trouve à l'avant et à gauche du plafond du compartiment congélateur.



### Réglage des thermostats

Lorsque le thermostat du congélateur est sur *OFF* (*arrêt*), ni le compartiment congélateur ni le compartiment réfrigérateur ne fonctionnent. Au départ, régler ces deux thermostats sur 4. Attendre 24 heures que les compartiments réfrigérateur ou congélateur atteignent la température désirée. Après 24 heures, modifier le réglage, d'un chiffre à la fois, s'il y a lieu. Le réglage le moins froid est 1 et le plus froid 7.

Régler les thermostats précisément à l'aide d'un thermomètre ménager dont la température s'échelonne entre -5° et 50° F (-21° et 10° C).

Placer le thermomètre au milieu des aliments surgelés dans le compartiment congélateur. Attendre 5 à 8 heures. Au bout de cette période de temps, s'il n'indique pas une température située entre 0° et 2° F (-17° et -16° C), ajuster le thermostat du congélateur d'un chiffre à la fois en revérifiant la température 5 à 8 heures plus tard.

Placer le thermomètre dans un verre d'eau au milieu du compartiment réfrigérateur. Attendre 5 à 8 heures. Au bout de cette période de temps, s'il n'indique pas une température située entre 38 ° et 40 ° F (3 ° et 4° C), ajuster le thermostat du réfrigérateur d'un chiffre à la fois en revérifiant la température 5 à 8 heures plus tard.

## Composants du réfrigérateur

### Tablettes du réfrigérateur

Les tablettes sont réglables en fonction des besoins de rangement. Certains modèles sont équipés de tablettes coulissantes et de tablettes qui retiennent les liquides qui débordent pour en faciliter le nettoyage.

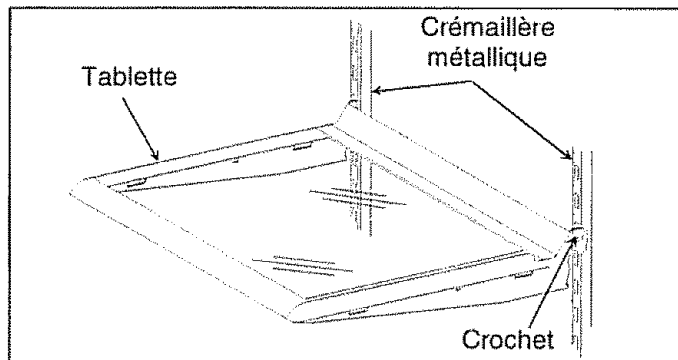


**ATTENTION :** S'assurer que la tablette est stable avant d'y placer des articles afin d'éviter des dégâts

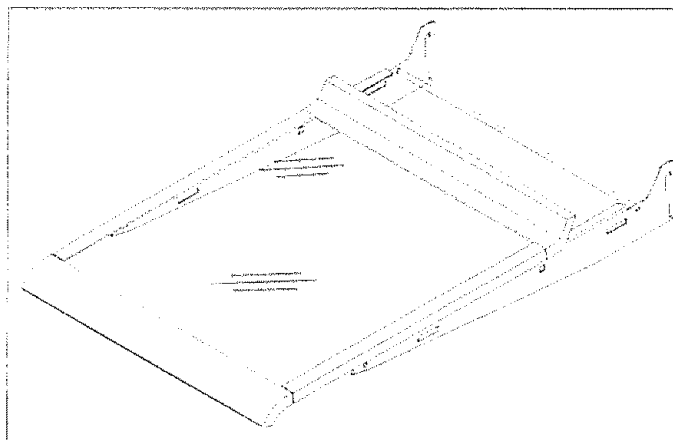


**ATTENTION :** Pour éviter tous dommages matériels ou blessures, manipuler les tablettes en verre trempé avec prudence. Celles-ci peuvent se briser brusquement si elles sont égratignées, ébréchées ou soumises à des changements brusques de température.

- Pour enlever les tablettes, en soulever l'avant et décrocher les crochets de la crémaillère métallique, puis tirer.
- Pour remettre les tablettes en place, insérer les crochets sur la crémaillère métallique et abaisser l'avant.



Les tablettes coulissantes peuvent être tirées comme un tiroir pour faciliter l'accès aux articles qui se trouvent à l'arrière.



### Bacs à légumes

Les bacs à légumes permettent de conserver la fraîcheur des légumes plus longtemps. Les envelopper hermétiquement. Ne pas les laver avant de les placer dans les bacs car l'excès d'eau pourrait les faire pourrir. Ne pas tapisser les bacs d'essuie-tout car ceux-ci retiennent l'humidité.

La commande du bac à légumes se trouve sous la moulure avant de la tablette. Celle-ci permet de régler le degré d'humidité dans les bacs. Le mettre sur "high" (élevé) pour les légumes feuillus comme la laitue, les épinards ou les choux. Le mettre sur "low" (faible) pour les légumes qui ont une peau, comme le chou-fleur, le blé d'Inde ou les tomates.

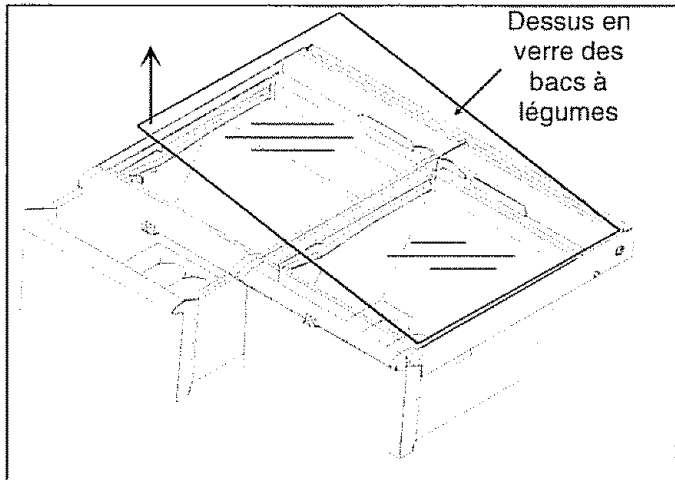
Pour enlever les bacs et la tablette, procéder comme suit :

1. Ouvrir le bac gauche.
  - Dans le cas d'une porte où les charnières sont à gauche, ouvrir le bac de droite.



**ATTENTION :** Pour éviter tous dommages matériels ou blessures, manipuler les tablettes en verre trempé avec prudence. Celles-ci peuvent se briser brusquement si elles sont égratignées, ébréchées ou soumises à des changements brusques de température.

2. Enlever le dessus en verre des bacs en le poussant doucement par le dessous. Incliner une extrémité vers le haut et tirer.



3. Enlever le bac de gauche en soulevant l'avant tout en soutenant le dessous et tirer. Dans le cas d'une porte où les charnières sont à gauche, enlever le bac de droite.
4. Enlever la barre de soutien du creux au centre du bas du compartiment réfrigérateur.
5. Enlever l'autre bac en le faisant glisser vers la paroi opposée. Soulever l'avant tout en soutenant le dessous et tirer.
6. Remettre les bacs et la tablette en place en inversant les étapes 2 à 5 ci-dessus.

### Bac à viande à température contrôlée (certains modèles)

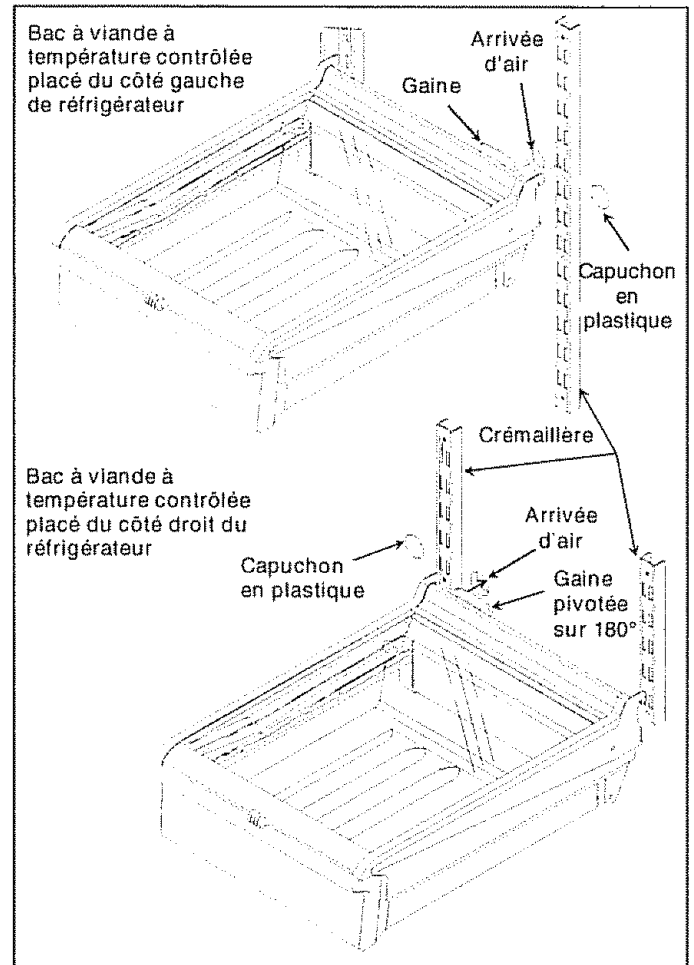
Le bac à viande à température contrôlée se compose d'un tiroir entouré d'un manchon. De l'air en provenance du congélateur circule entre le tiroir et le manchon, gardant ainsi les aliments frais plus longtemps et à une température jusqu'à 5° F (3° C) plus froide que dans le reste du compartiment réfrigérateur.

Le thermostat du bac à viande se trouve sous la moulure avant de la tablette. Celui-ci contrôle la quantité d'air froid qui circule autour du bac. Coulisser le thermostat sur "COLD" (*froid*) pour que la température soit équivalente à la température normale du compartiment réfrigérateur et sur "COLDER" (*plus froid*) pour une température plus froide. Des cristaux de glace peuvent se former dans le bac sur le réglage "COLDER". L'air froid qui circule autour du bac peut également changer la température du compartiment réfrigérateur, dont le thermostat peut devoir être modifié.

Le bac à viande avec thermostat peut être déplacé de gauche à droite dans le réfrigérateur pour satisfaire aux besoins de rangement. Procéder comme suit pour déplacer le bac :

1. Pour enlever le bac, le soulever et tirer vers soi. Retirer la tablette en soulevant l'avant, ce qui la dégage de la crémaillère, puis tirer.

2. Enlever le capuchon en plastique de la paroi arrière du compartiment réfrigérateur en plaçant un couteau recouvert de ruban-masque sous le capuchon et en faisant levier vers l'avant.

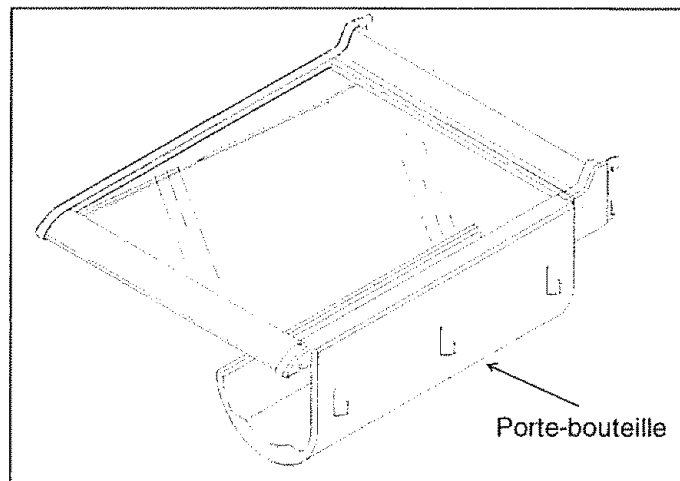


3. Faire pivoter la gaine de 180° vers le côté opposé.
4. Insérer le capuchon en plastique dans le côté opposé du compartiment réfrigérateur. S'assurer qu'il est bien en place. L'air froid peut faire geler les aliments si le capuchon n'est pas mis en place.
5. Pour remettre la tablette en place, insérer les crochets dans la crémaillère et abaisser l'avant. Utiliser les encoches 4 à 6 uniquement.
6. Pour remettre le bac, le glisser en place. S'assurer que la gaine est bien ajustée sur l'arrivée d'air de la paroi arrière.

### Porte-bouteilles (certains modèles)

Le porte-bouteille offre un rangement pratique pour les grandes bouteilles, les cartons d'œufs, etc.

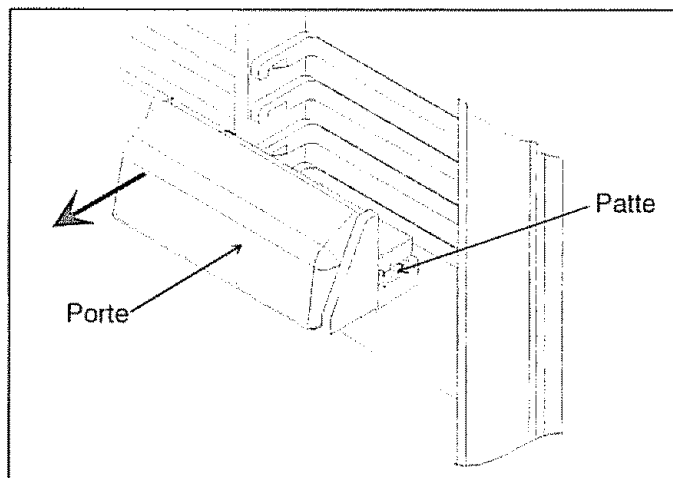
- Pendre le porte-bouteille en le suspendant sur le côté de la tablette.



### Casier laitier (certains modèles)

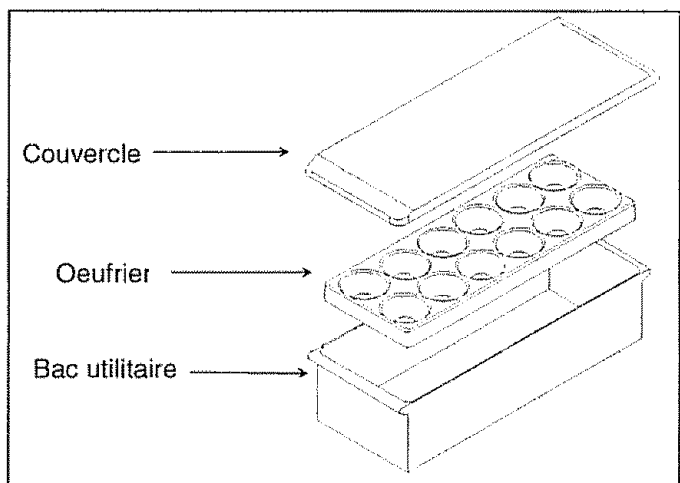
Le casier offre un espace de rangement pratique pour les articles tels que le beurre, le fromage, etc.

- Pour enlever le casier laitier, soulever la porte, pousser les pattes de chaque côté de la tablette vers le bas et tirer.
- Pour remettre le casier laitier en place, le faire coulisser jusqu'à ce que les pattes se bloquent en place, puis abaisser la porte.



### Bac utilitaire avec couvercle (certains modèles)

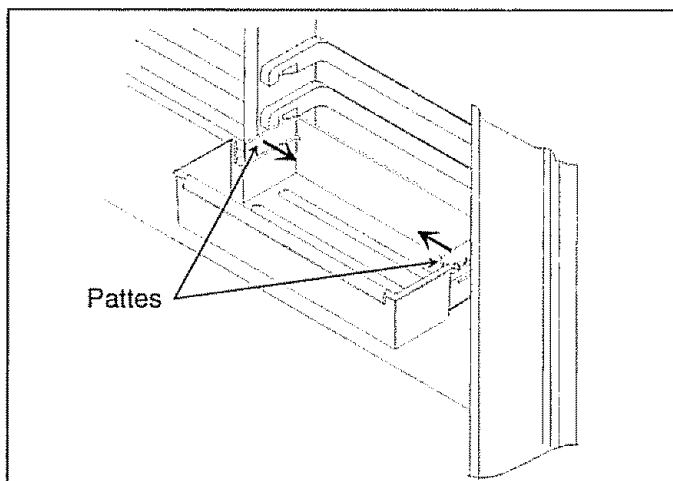
Le bac utilitaire est doté d'un couvercle et comporte un oeufrier amovible. Lorsque l'oeufrier est retiré, le bac peut recevoir des articles tels que carton d'œufs, glace, etc.



### Bacs de porte

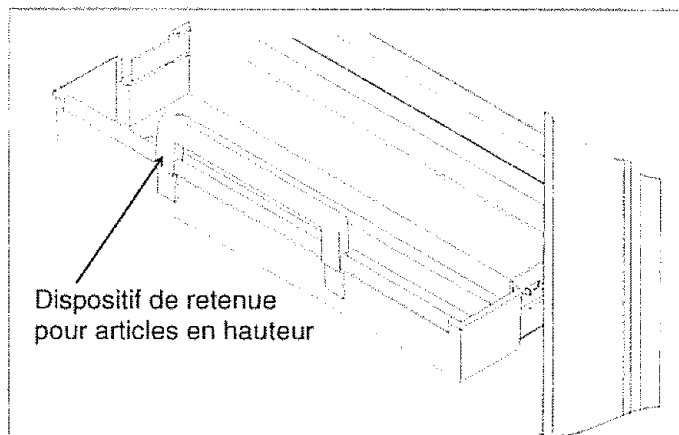
Les bacs sont réglables pour mieux répondre aux besoins individuels de rangement.

- Pour enlever les bacs de porte, pousser les pattes de chaque côté de la tablette vers le centre et tirer vers soi.
- Pour remettre les bacs de porte, les glisser en place jusqu'à ce que les pattes se bloquent.



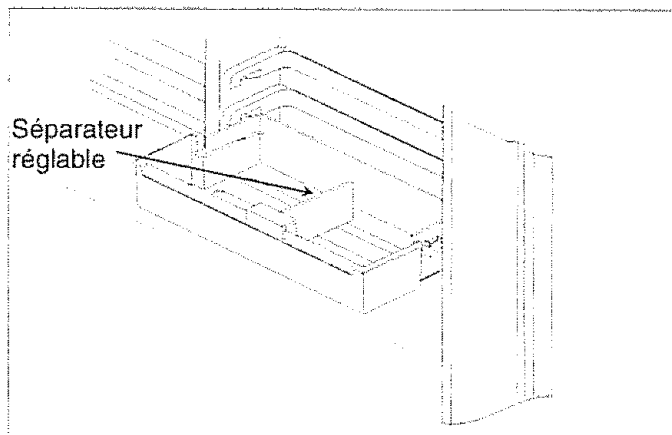
## Dispositif de retenue pour articles en hauteur

Le dispositif de retenue pour objets en hauteur empêche les objets longs ou en hauteur de tomber. Le dispositif de retenue s'ajuste sur le rebord avant de toute clayette de porte de réfrigérateur.



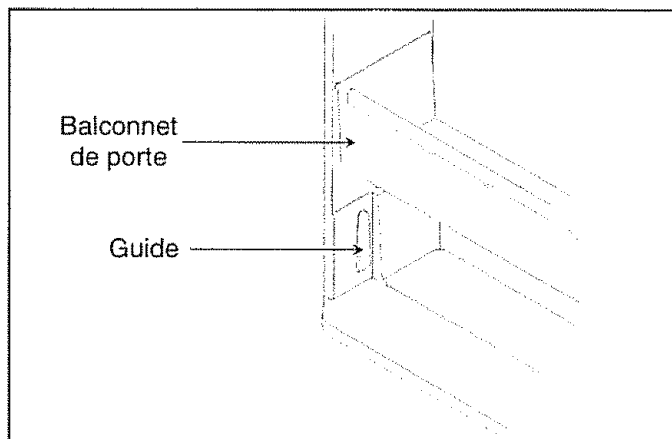
## Séparateur réglable (certains modèles)

Le séparateur réglable garde les articles en place et peut être déplacé en fonction des besoins. Le séparateur réglable peut s'utiliser dans tous les bacs et les balconnets de porte.



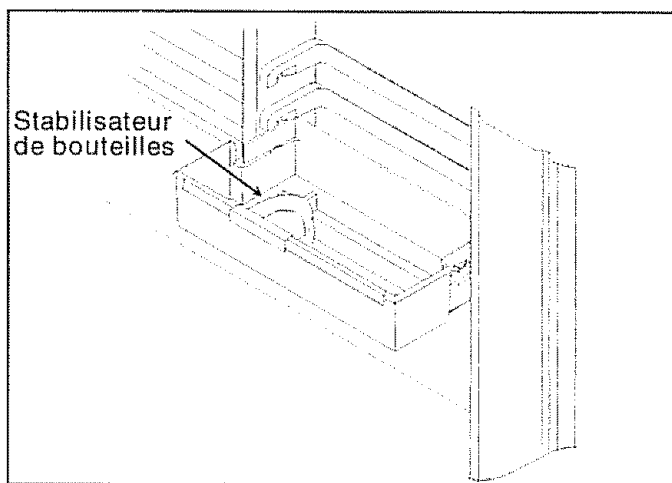
## Balconnets de porte

- Pour enlever les balconnets, soulever les extrémités et tirer.
- Pour remettre les balconnets en place, les emboîter sur le guide et les abaisser.



## Stabilisateur de bouteilles

Le stabilisateur garde les articles en place et il est réglable pour mieux répondre aux besoins de rangement individuels. Il peut s'utiliser dans tous les bacs et les balconnets de porte.



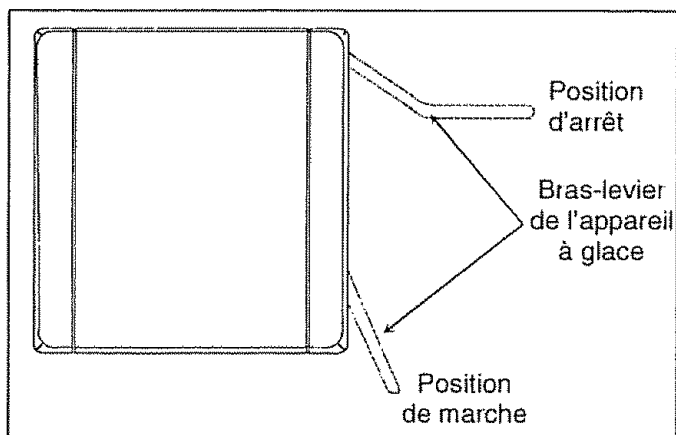
## Composants du congélateur

### Système auto-dégivrant

Aucune accumulation de glace ne peut se produire dans les compartiments réfrigérateur et congélateur. Le dégivrage est automatique et, dans des conditions d'utilisation normale, les compartiments réfrigérateur et congélateur n'auront jamais besoin d'être dégivrés.

### Appareil à glace (certains modèles)

- Vérifier que le bac à glace est bien en place et que le bras-levier de l'appareil à glace est abaissé.



- Une fois que le compartiment congélateur atteint une température normale, l'appareil à glace se remplit d'eau et commence à fonctionner. Le laisser fonctionner 24 à 48 heures après son installation avant de prendre de la glace. Dans des conditions idéales, l'appareil à glace produit sept à neuf lots de glace par jour.
- Une fois les cubes de glace formés, l'appareil les verse dans le bac à glace. Au fur et à mesure que le bac à glace se remplit, le bras-levier de l'appareil se lève. Quand le bac à glace est plein, le bras-levier de l'appareil arrête la production de cubes de glace.

**Remarque :** Jeter les trois premiers lots de cubes de glace pour éviter la consommation d'impuretés qui ont pu rester dans la conduite après sa pose.

- Pour arrêter la production automatique de glace, soulever le bras-levier. Un "clic" se fait entendre quand la position voulue est atteinte. Le bras-levier de l'appareil à glace reste alors dans cette position jusqu'à ce qu'on l'abaisse.

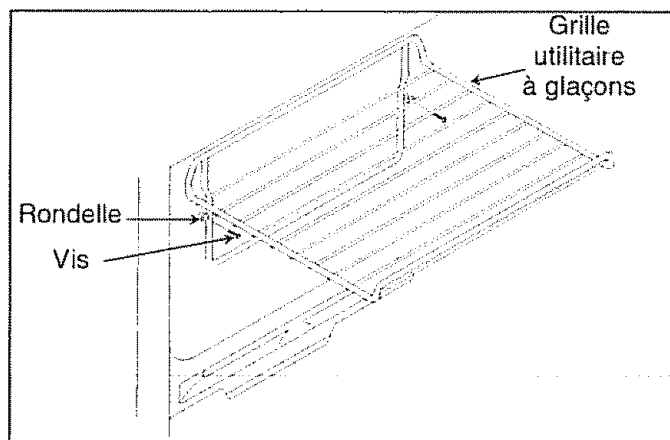
### Grille utilitaire à glaçons

Pour installer la grille utilitaire, procéder comme suit en utilisant un tournevis cruciforme:

1. Dévisser la vis et la rondelle qui se trouvent sur la paroi latérale du congélateur.
2. Mettre la grille utilitaire sur les rondelles et l'abaisser en place.
3. Serrer les vis et les rondelles.

Pour déplacer la grille utilitaire, procéder comme suit en utilisant un tournevis cruciforme:

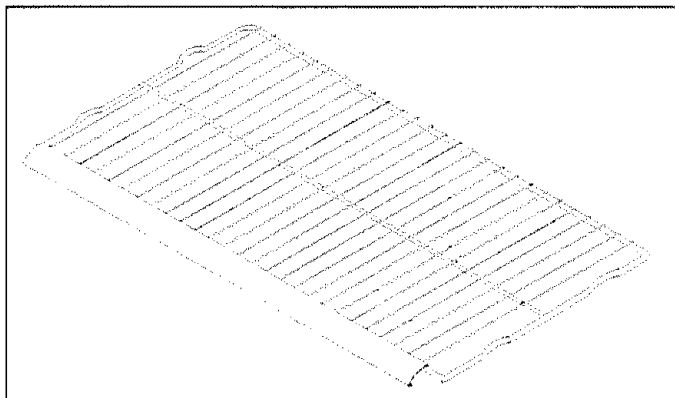
1. Enlever la grille utilitaire en la soulevant pour la dégager des rondelles, puis tirer vers soi.
2. Enlever les vis et les rondelles qui supportent la grille. Enlever les obturateurs du côté opposé de la grille. Remplacer les obturateurs par les vis et les rondelles. Insérer les obturateurs dans les orifices laissés par les vis et les rondelles.
3. Remettre la grille en place en la glissant sur les rondelles et en l'abaissant jusqu'à ce qu'elle soit fermement en place.



**ATTENTION :** Pour éviter tous dommages matériels, s'assurer que la grille est fermement en place avant de mettre des articles dessus.

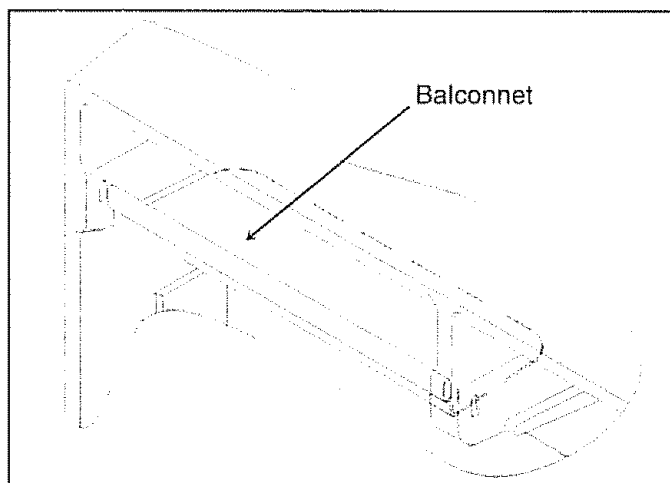
### Clayette métallique

- Pour enlever la clayette métallique, tirer vers soi. Donner un coup sec si nécessaire.
- Pour remettre la clayette métallique en place, la faire coulisser vers l'arrière jusqu'à ce qu'elle se bloque en place.



### Balconnets de porte

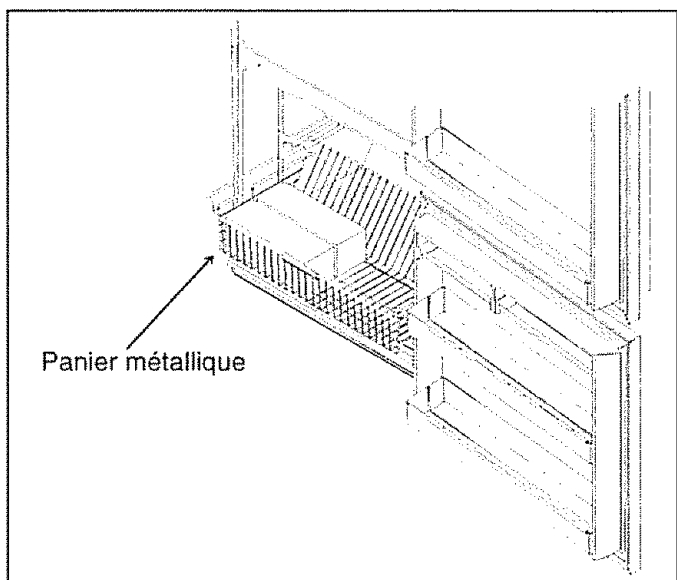
- Pour enlever les balconnets de porte, faire coulisser la moulure vers la droite ou vers la gauche, puis vers le haut. Soulever le balconnet et le retirer.
- Pour remettre les balconnets en place, mettez-les sur les rails et faire glisser les moulures vers la gauche ou vers la droite, puis vers le bas.



### Panier métallique

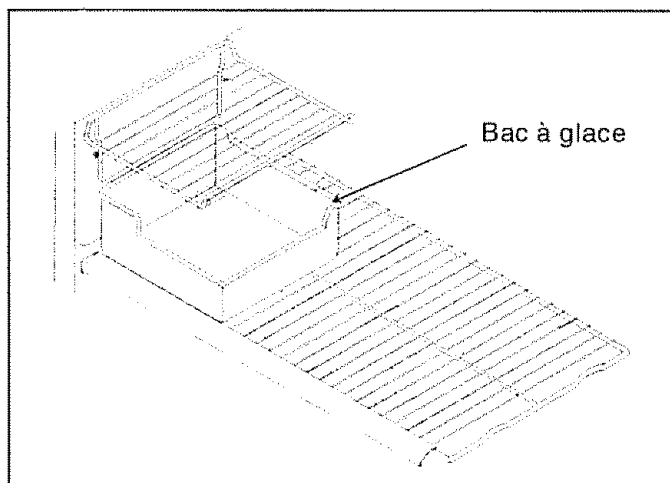
Les paniers métalliques peuvent être tirés comme des tiroirs pour faciliter l'accès aux articles se trouvant vers l'arrière du compartiment.

- Pour enlever les paniers, les soulever et tirer.
- Pour remettre les paniers, les glisser en place.



### Bac à glace

Le bac à glace se trouve sous la grille utilitaire, sur la clayette métallique du congélateur.



## Entretien et nettoyage



**DANGER:** Pour éviter tout risque d'électrocution pouvant causer des blessures graves voire mortelles, débrancher le réfrigérateur avant de le nettoyer. Une fois le nettoyage effectué, rebrancher l'appareil.



**ATTENTION:** Pour éviter tous dommages matériels ou blessures, lire et suivre toutes les consignes des fabricant concernant le nettoyage.

### Indications générales

1. Nettoyer les surfaces et l'extérieur du réfrigérateur avec un linge doux et propre mouillé d'eau tiède additionnée de quatre cuillères à soupe de bicarbonate de soude par pinte (litre) d'eau.
2. Rincer à l'eau tiède. Sécher à l'aide d'un linge doux et propre.
3. **NE PAS** utiliser les articles et produits suivants :
  - Produits nettoyants abrasifs ou puissants tels qu'ammoniaque, eau de javel, etc.
  - Détergents concentrés ou solvants
  - Tampons à recurer métalliques. (Ces articles et produits peuvent érafler, fêler ou décolorer les surfaces du réfrigérateur.)
4. Ne pas laver les bacs, tablettes, etc. au lave-vaisselle.

### Adhésifs

1. Enlever tout résidu de colle des surfaces de l'appareil en mettant un peu de dentifrice sur l'adhésif et en frottant avec les doigts jusqu'à ce que l'adhésif se détache.
2. Rincer à l'eau tiède. Sécher avec un linge doux et propre.

### Joints des portes

1. Nettoyer les joints des portes tous les trois mois en suivant les indications générales mentionnées précédemment. Essuyer immédiatement tout liquide renversé.
2. Appliquer une fine couche de vaseline sur les joints pour qu'ils restent souples.

### Serpentin du condenseur

Nettoyer le serpentin du condenseur se trouvant derrière la grille de ventilation tous les trois mois pour assurer une performance maximum du réfrigérateur.

L'accumulation de poussière et de peluches peut entraîner les problèmes suivants:

- Efficacité réduite
- Consommation d'énergie plus grande
- Usure prématurée des pièces

1. Enlever la grille de ventilation en la tenant par les extrémités et en tirant vers soi.
2. Nettoyer l'avant du serpentin à l'aide de la buse du tuyau d'un aspirateur.
3. Remettre la grille de ventilation en place. Pour cela, insérer les attaches dans les trous et les cliquer en place.
4. Lever les pieds stabilisateurs (certains modèles) en les faisant tourner dans le sens contraire à celui des aiguilles d'une montre.



**ATTENTION :** Pour éviter tous dommages, protéger les planchers en vinyle ou de tout autre type avec du carton, de la moquette ou un autre matériau protecteur.

5. Éloigner le réfrigérateur du mur. Passer la brosse de l'aspirateur sur la grille, au dos du réfrigérateur.

### Tablettes en verre



**ATTENTION :** Pour éviter tous dommages matériels ou blessures, manipuler les tablettes en verre trempé avec prudence. Celles-ci peuvent se briser brusquement si elles sont égratignées, ébréchées ou exposées à des changements brusques de température.

Enlever la tablette en verre en soulevant l'avant pour la décrocher de la crémaillère et en tirant vers soi, puis la placer sur un linge. La laisser venir à température ambiante avant de la nettoyer.

Nettoyer les interstices comme suit:

1. Diluer un détergent doux dans de l'eau et le faire pénétrer dans les interstices à l'aide d'une brosse en plastique. Laisser agir pendant 5 minutes.
2. Rincer à l'eau tiède en utilisant l'accessoire du robinet de l'évier pour vaporiser l'eau dans les interstices.
3. Bien sécher la tablette et la remettre en place en insérant les crochets dans la crémaillère, puis en abaissant l'avant.

### Élimination des odeurs

1. Enlever toute la nourriture et débrancher l'appareil.
2. Nettoyer toutes les surfaces intérieures, y compris le plancher, les parois et le plafond en suivant les indications données sous "Indications générales" ci-dessus. Veiller à bien nettoyer dans les coins, les interstices et les rainures. Également nettoyer tous les bacs, les tablettes et les joints.

3. Rebrancher le réfrigérateur et y remettre la nourriture. Nettoyer et sécher tous les récipients. Mettre les aliments dans des récipients hermétiquement fermés pour empêcher la diffusion d'odeurs. Au bout de 24 heures, vérifier si l'odeur est bien éliminée.

Si l'odeur n'a pas été éliminée, reprendre les étapes 4 à 9 ci-dessus.

4. Placer les bacs à légumes sur la tablette supérieure du compartiment réfrigérateur. Remplir le compartiment réfrigérateur et le compartiment congélateur, y compris les portes, de papier journal chiffonné en boule.
5. Placer des briquettes de charbon de bois par ci par là au milieu du papier journal.
6. Fermer les portes et laisser agir 24 à 48 heures.
7. Enlever le charbon de bois et le papier journal.
8. Reprendre les étapes 2 et 3.

Si l'odeur n'a toujours pas été éliminée, contacter un centre de service après-vente Sears.

## Remplacement des ampoules électriques

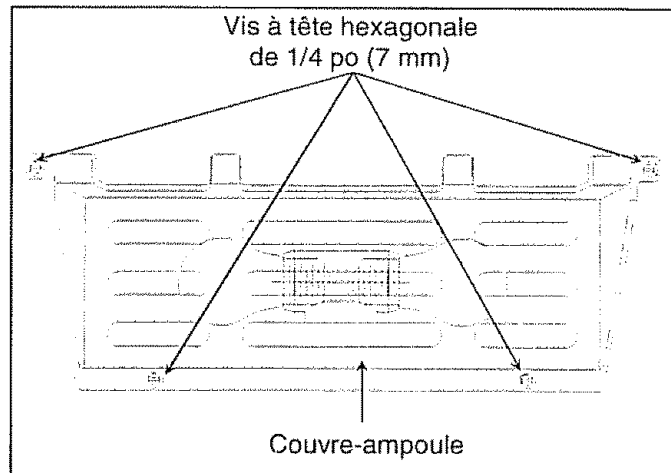


**DANGER** : Pour éviter des blessures graves ou le décès par électrocution, débrancher le réfrigérateur avant de remplacer l'ampoule. Une fois l'ampoule remplacée, rebrancher le réfrigérateur.



**ATTENTION** : Pour éviter tous dommages matériels ou blessures, procéder comme suit:

- Laisser l'ampoule refroidir.
  - Porter des gants pour remplacer l'ampoule.
- Retirer le couvre-ampoule en enlevant les vis à tête hexagonale de 1/4 po (6 mm). Remplacer la ou les ampoules par des ampoules de 40 W pour appareils électro-ménagers.
  - Remettre le couvre-ampoule en place en remettant les vis à tête hexagonale de 1/4 po (6 mm) en place.



## Conseils pour les vacances

Pour les vacances de courte durée, procéder comme suit :

1. Enlever les denrées périssables.
2. Si le réfrigérateur est équipé d'un appareil à glace, placer le bras-levier en position *off* (*position d'arrêt*). (Voir la partie "Appareil à glace", page 52.)

Pour les vacances de longue durée, procéder comme suit :

1. Enlever les aliments des compartiments congélateur et réfrigérateur.
2. Débrancher l'appareil.
3. Nettoyer l'appareil, joints compris, en suivant les indications générales fournies dans la section "Entretien" du manuel.
4. Ouvrir et bloquer les portes de façon à ce que l'air circule à l'intérieur des compartiments.
5. Si le réfrigérateur est équipé d'un appareil à glace, couper l'alimentation en eau à l'appareil et mettre le bras-levier en position *off* (*arrêt*). (Voir la partie "Appareil à glace", page 52.)

## Conseils pour des économies d'énergie

Ce réfrigérateur est conçu pour être l'un des plus économes en énergie qui existent. Pour réduire encore la consommation d'électricité, observer les consignes suivantes:

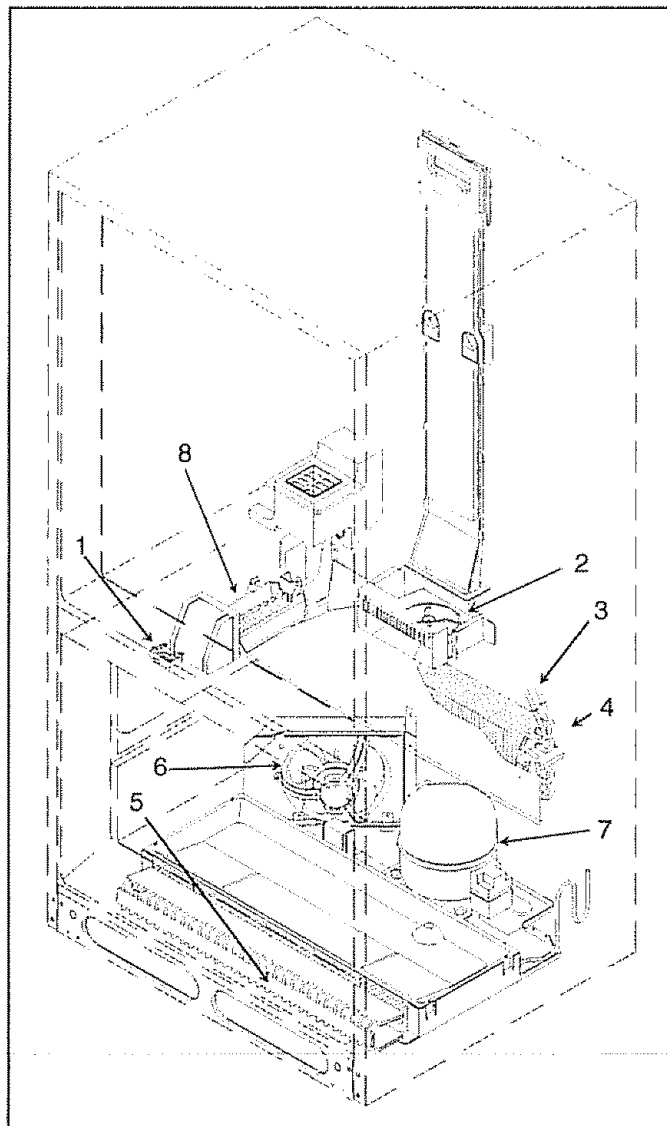
- Faire fonctionner le réfrigérateur à température normale, de 55° à 110° F (13° à 43° C), loin de toute source de chaleur ou de la lumière directe du soleil.
- Régler le thermostat des compartiments congélateur et réfrigérateur et du bac à viande à température contrôlée sur un réglage qui ne soit pas à une température plus froide que nécessaire.
- Garder le compartiment congélateur plein.
- Garder les joints des portes propres et souples. Les remplacer s'ils sont usés.
- Garder les serpentins du condenseur propres.

## Bruits normaux

Ce réfrigérateur peut remplacer un modèle d'une conception différente, à plus grande consommation en électricité ou plus petit. Les réfrigérateurs actuels sont dotés de nouveaux composants et de nouvelles fonctions et ils consomment moins d'électricité. Il en résulte qu'ils peuvent produire des bruits qui ne vous sont pas familiers. Ces bruits sont normaux et vous serez rapidement familiers. Ils indiquent également que le réfrigérateur est en marche et qu'il fonctionne comme prévu.

1. **Le thermostat du congélateur** produit un "clic" lors de la mise en marche et de l'arrêt du compresseur.
2. **Le ventilateur du congélateur** ronronne et l'air brassé produit un certain bruit.
3. **Le système de réfrigération scellé** (évaporateur/échangeur de chaleur) contient du liquide réfrigérant qui fait différents bruits de liquide, y compris celui de l'eau qui bout.
4. **La résistance de dégivrage** grésille, siffle ou produit des claquements.
5. **La minuterie du dégivrage** produit un bruit de minuterie et des déclics relativement bruyants lorsqu'elle enclenche ou arrête le cycle de dégivrage.
6. **Le ventilateur du condenseur** ronronne et l'air brassé produit un certain bruit.
7. **Le compresseur** produit un ronronnement aigu ou des bruits de pulsations. Il s'arrête et redémarre.
8. **Les cubes de glace** de l'appareil à glace (certains modèles) tombent dans le bac à glace.
9. **L'électrovanne de l'appareil à glace** (certains modèles) produit un ronronnement lorsque l'appareil à glace se remplit d'eau. Ce bruit se produit que le réfrigérateur soit relié à l'alimentation en eau ou non. Si le réfrigérateur n'est pas relié à l'alimentation en eau, arrêter le bruit en levant le bras-levier de l'appareil à glace en position "off" (arrêt). Le raccordement de l'électrovanne se trouve derrière le ventilateur du condenseur, à l'arrière du réfrigérateur.

**Remarque :** La mousse est un excellent isolant sur le plan thermique et de la consommation d'électricité. Ce n'est cependant pas un isolant acoustique aussi efficace que la fibre de verre, qui était utilisée auparavant dans les réfrigérateurs.



## Avant d'appeler le service de dépannage

Problème	Solution
Le réfrigérateur ne fonctionne pas.	<ul style="list-style-type: none"> <li>• Vérifier que le thermostat du compartiment congélateur est sur un réglage de marche.</li> <li>• Vérifier que le réfrigérateur est branché. S'il ne l'est pas, brancher fermement le cordon dans une prise sous tension de la tension qui convient.</li> <li>• Vérifier le fusible ou le disjoncteur. Brancher un autre appareil dans la prise murale. S'il ne fonctionne pas, remplacer le fusible ou réenclencher le disjoncteur.</li> <li>• Si le thermostat est sur un réglage de marche, que la lumière s'allume mais que les deux ventilateurs et le compresseur ne fonctionnent pas, il se peut que le réfrigérateur soit en cycle de dégivrage. Attendre 40 minutes et vérifier si le réfrigérateur s'est remis en marche.</li> </ul>
Le réfrigérateur ne fonctionne toujours pas.	<ul style="list-style-type: none"> <li>• Débrancher le réfrigérateur. Transférer son contenu dans un autre réfrigérateur ou mettre de la glace carbonique dans le compartiment congélateur pour protéger la nourriture. Appeler le service de dépannage.</li> </ul>
Les denrées ne semblent pas assez froides	<ul style="list-style-type: none"> <li>• Voir les points ci-dessus.</li> <li>• Laisser à l'appareil suffisamment de temps pour que les aliments non froids récemment ajoutés puissent atteindre la température voulue dans les compartiments réfrigéré-rateur ou congélateur. L'ajout de nourriture augmente la température dans le réfrigérateur et celui-ci peut prendre quelques heures avant de revenir à sa température de fonctionnement normale.</li> <li>• Vérifier que les joints assurent la fermeture hermétique des portes.</li> <li>• Nettoyer le serpentin du condenseur. Voir sous "Serpentins du condenseur" dans la partie "Entretien"</li> <li>• Ajuster le thermostat des compartiments réfrigérateur et congélateur. Voir sous "Réglage des thermostats" dans la partie "Commandes".</li> <li>• La lumière du compartiment réfrigérateur ou congélateur reste allumée. Si c'est le cas, appeler le service de dépannage.</li> <li>• Les conduits d'air derrière le bac à légumes sont obstrués, ce qui nuit à la circulation d'air. Localiser les conduits d'air derrière les bacs à légumes et retirer tous débris qui obstruent les conduits d'air ou nuisent à la circulation d'air.</li> </ul>
Le bac à viande à température contrôlée est à une température insuffisamment froide.	<ul style="list-style-type: none"> <li>• Mettre le thermostat sur un réglage plus froid.</li> <li>• Mettre le thermostat du compartiment congélateur sur un réglage plus froid. Voir sous "Réglage des thermostats" dans la partie "Commandes".</li> <li>• Vérifier que le couvercle du bac à viande avec thermostat a été déplacé de gauche à droite dans le réfrigérateur. Voir la rubrique "Bac à viande avec thermostat".</li> </ul>

## Avant d'appeler le service de dépannage

Problème	Solution
Les denrées sont trop froides.	<ul style="list-style-type: none"> <li>• Nettoyer le serpentin du condenseur. Voir sous "Serpentins du condenseur" dans la partie "Entretien".</li> <li>• Ajuster le thermostat du compartiment réfrigérateur. Voir sous "Réglage des thermostats" dans la partie "Commandes".</li> <li>• Mettre le thermostat du compartiment congélateur sur un réglage moins froid. Voir sous "Réglage des thermostats" dans la partie "Commandes". Attendre plusieurs heures que la température se stabilise.</li> <li>• Vérifier que le couvercle est bien en place sur le côté opposé au bac à viande avec thermostat. Voir la rubrique "Bac à viande avec thermostat".</li> </ul>
Le réfrigérateur se met en marche trop fréquemment.	<ul style="list-style-type: none"> <li>• Cela peut être nécessaire pour maintenir la température au niveau désiré.</li> <li>• Les portes ont pu être ouvertes trop souvent ou trop longtemps. Lorsque la porte est ouverte, l'air chaud et humide pénètre dans le réfrigérateur. Plus la porte est ouverte, plus le réfrigérateur a d'air chaud à refroidir.</li> <li>• Laisser à l'appareil suffisamment de temps pour que des aliments non froids récemment ajoutés puissent atteindre la température voulue dans les compartiments réfrigérateurs ou congélateur. Il peut falloir plusieurs heures avant que le réfrigérateur ne retourne à sa température normale.</li> <li>• Nettoyer le serpentin du condenseur. Voir sous "Serpentins du condenseur" dans la partie "Entretien".</li> <li>• Ajuster le thermostat du compartiment congélateur. Voir sous "Réglage des thermostats" dans la partie "Commandes".</li> <li>• Vérifier que les joints assurent la fermeture hermétique des portes.</li> <li>• La lumière du compartiment congélateur reste allumée. Si c'est le cas, appeler le service de dépannage.</li> <li>• S'assurer que le réfrigérateur est mis à niveau. Voir la rubrique "Mise à niveau du réfrigérateur" des consignes de mise en service.</li> </ul>
Des gouttes d'eau se forment à l'intérieur du réfrigérateur.	<ul style="list-style-type: none"> <li>• Ceci est normal pendant les périodes de forte humidité ou si les portes sont fréquemment ouvertes.</li> <li>• Bien enrober les aliments et essuyer les récipients humides avant de les placer dans le réfrigérateur afin d'éviter toute accumulation d'humidité.</li> </ul>
Des gouttes d'eau se forment à l'extérieur du réfrigérateur.	<ul style="list-style-type: none"> <li>• Vérifier que les joints des portes ferment hermétiquement.</li> <li>• Ceci est normal pendant les périodes de forte humidité ou si les portes sont fréquemment ouvertes.</li> </ul>
Les bacs à légumes ou le bac à température contrôlée ne se ferment pas facilement (certains modèles).	<ul style="list-style-type: none"> <li>• Vérifier que des denrées ne gênent pas leur fermeture.</li> <li>• Vérifier que les bacs sont correctement en place.</li> <li>• Nettoyer les glissières à l'eau savonneuse tiède, les rincer et les sécher à fond.</li> <li>• Enduire les glissières d'une fine couche de vaseline.</li> <li>• Vérifier si le réfrigérateur est de niveau.</li> </ul>
Il y a une odeur dans le réfrigérateur.	<ul style="list-style-type: none"> <li>• Voir les explications fournies sous "Élimination des odeurs" dans la partie "Entretien" de ce manuel.</li> </ul>

## Avant d'appeler le service de dépannage

Problème	Solution
Le réfrigérateur produit des bruits inhabituels ou paraît trop bruyant.	<ul style="list-style-type: none"> <li>• Ces bruits peuvent être normaux. Voir les explications fournies sous "Bruits normaux".</li> </ul>
Les cubes de glace ont une odeur.	<ul style="list-style-type: none"> <li>• Voir les explications sous "Élimination des odeurs" dans la partie "Entretien" de ce manuel.</li> <li>• L'appareil à glace vient d'être installé. Jeter les premiers lots de glace pour éviter des cubes de glace décolorés ou qui ont un goût.</li> <li>• La nourriture n'est pas emballée hermétiquement dans le congélateur ou le réfrigérateur. La réemballer car les odeurs peuvent alors passer dans la glace.</li> <li>• Jeter les cubes de glace et nettoyer le bac à glace ou les moules à cubes de glace plus fréquemment. Les cubes de glace sont très poreux et absorbent facilement les odeurs.</li> <li>• L'alimentation en eau contient des minéraux comme le soufre. Dans certains cas, un filtre pourra devoir être installé sur la conduite pour éliminer les problèmes de mauvais goût et d'odeur.</li> </ul>
Les cubes de glace s'agglomèrent ou "rétrécissent".	<ul style="list-style-type: none"> <li>• Vider le bac ou les moules à cubes de glace plus fréquemment. S'ils ne sont pas utilisés fréquemment, les cubes de glace peuvent s'agglomérer ou diminuer.</li> </ul>
L'appareil à glace ne produit pas de cubes de glace.	<ul style="list-style-type: none"> <li>• La pression de l'eau peut être trop faible ou trop élevée. L'appareil à glace exige une pression de l'alimentation en eau de 20 à 120 psi (138 à 827 kPa) pour fonctionner correctement.</li> <li>• Vérifier que le bras-levier est abaissé. Voir sous "Appareil à glace".</li> <li>• Vérifier que l'alimentation en eau de la maison arrive à l'électrovanne. S'assurer que le robinet d'arrêt est complètement ouvert.</li> <li>• Vérifier que le faisceau de câbles de l'appareil à glace est inséré à fond dans les trous appropriés.</li> <li>• Vérifier que la conduite en cuivre ou la tubulure en plastique ne sont pas pliées. Redresser la conduite ou la tubulure ou les remplacer.</li> <li>• Vérifier les connexions électriques de l'électrovanne et de la barrette à bornes de l'armoire du réfrigérateur.</li> <li>• S'il y a un filtre d'eau sur la conduite d'eau à l'extérieur du réfrigérateur, vérifier que celui-ci n'est pas bouché et qu'il est correctement installé.</li> </ul>
L'appareil à glace ne produit pas assez de glace.	<ul style="list-style-type: none"> <li>• Il a été installé récemment ou une grande quantité de glace vient d'être utilisée. Attendre 24 heures que la production commence et que la provision de cubes de glace soit reconstituée.</li> <li>• Vérifier que l'alimentation en eau de la maison arrive à l'électrovanne. S'assurer que le robinet d'arrêt est complètement ouvert.</li> </ul>

## Avant d'appeler le service de dépannage

Problème	Solution
L'appareil à glace ne produit pas assez de glace. (cont.)	<ul style="list-style-type: none"><li data-bbox="599 254 1428 443">• Un robinet auto-taraudeur ou un robinet à étrier de <math>\frac{3}{16}</math> po (5 mm) a été utilisé pour le raccordement. L'une comme l'autre réduisent le débit d'eau et peuvent se boucher au fil des années. Les remplacer par un robinet d'arrêt exigeant le percement d'un trou de <math>\frac{1}{4}</math> po (6 mm) dans la conduite d'alimentation en eau avant d'y fixer le robinet.</li><li data-bbox="599 457 1389 541">• Vérifier que la conduite en cuivre ou la tubulure en plastique ne sont pas pliées. Redresser la conduite ou la tubulure ou les remplacer.</li><li data-bbox="599 556 1425 640">• Vérifier que le compartiment congélateur fonctionne à la bonne température. Celui-ci doit être suffisamment froid pour produire de la glace. Voir sous "Réglage des thermostats".</li></ul>
De la glace se forme dans la tubulure d'arrivée de l'appareil à glace.	<ul style="list-style-type: none"><li data-bbox="599 665 1400 720">• Vérifier la pression de l'eau. Une pression insuffisante provoque des fuites au niveau de l'électrovanne.</li></ul>



## Garantie

### **Garantie totale d'un an du réfrigérateur**

Pendant un an à partir de la date d'achat et si ce réfrigérateur est utilisé et entretenu tel qu'indiqué dans les instructions attachées à l'appareil ou fournies avec lui, Sears réparera gratuitement ce réfrigérateur s'il présente des défauts de matériel ou de main-d'oeuvre.

### **Garantie totale de cinq ans sur le système de réfrigération scellé**

Pendant cinq ans à partir de la date d'achat et si ce réfrigérateur est utilisé et entretenu tel qu'indiqué dans les instructions attachées à l'appareil ou fournies avec lui, Sears réparera gratuitement le système de réfrigération scellé de ce réfrigérateur (qui se compose du réfrigérateur, des conduites et du moteur du compresseur) s'il présente des défauts de matériel ou de main-d'oeuvre.

Cette garantie s'applique uniquement aux réfrigérateurs utilisés à des fins ménagères.

Pour obtenir des prestations de garantie, contacter 1-800-4-MY-HOME (469-4663).

Cette garantie est valable uniquement pendant que cet appareil est utilisé aux États-Unis.

Cette garantie vous donne des droits spécifiques et vous pouvez jouir d'autres droits qui varient d'une province à l'autre.

Sears, Roebuck and Co., Dept 817WA, Hoffman Estates, IL 60179 É.-U.

**For in-house major brand repair service:**

Call 24 hours a day, 7 days a week

**1-800-4-MY-HOME<sup>SM</sup>** (1-800-469-4663)

Para pedir servicio de reparación a domicilio—**1-800-676-5811**

In Canada for all your service and parts needs call—**1-800-665-4455**

Au Canada pour tout le service ou la commande de pièce—**1-800-665-4455**

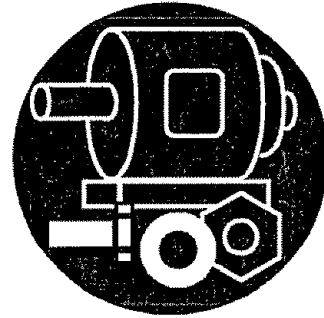


**For the repair or replacement parts you need delivered directly to your home:**

Call 7 am – 7 pm, 7 days a week

**1-800-366-PART** (1-800-366-7278)

Para ordenar piezas con entrega a domicilio—**1-800-659-7084**



**For the location of a Sears Parts and Repair Center in your area:**

Call 24 hours a day, 7 days a week

**1-800-488-1222**



**For information on purchasing a Sears Maintenance Agreement or to inquire about an existing Agreement:**

Call 9 am – 5 pm, Monday – Saturday

**1-800-827-6655**

