

Refrigerator user manual

the possibilities

Thank you for purchasing your Samsung product.
To receive more complete service,
please register your product at
www.samsung.com/register



Features of your new Refrigerator

KEY FEATURES OF YOUR NEW REFRIGERATOR

Your Samsung French Door Refrigerator comes equipped with various innovative storage and energy-efficient features.

- **Twin Cooling System**
The Refrigerator and Freezer have separate evaporators. Due to this independent cooling system, the Freezer and Refrigerator cool more efficiently. Additionally, this separate air flow system prevents food odor of one compartment from seeping into other compartments.
- **Cool Select Pantry™ (RF267)**
The Cool Select pantry™ is a full-width drawer with adjustable temperature control.
- **Bigger & Wider Space**
The wide shelf area and pantry provide enough space for larger items like a pizza box, etc. The wide freezer drawer also provides enough space for 2~3 turkeys.
- **Secure Auto Close**
The Secure Auto Close feature will automatically close a door that is slightly open.
- **Compact Ice Maker**
The Ice maker can dispense cubed or crushed ice.
- **Digital Display and Temperature Control**
- **Water Filtration System**
- **Door Alarm**
A helpful beeper alerts you if door is ajar.
- **Tilting Pocket**
The Tilting pocket can be used to store up to a 16" pizza.
- **Auto Pull Out Drawer**
The upper drawer in the freezer comes out automatically as you just open the freezer door.
- **Easy Handle**
Freezer door can be opened with less effort.
- **Energy Star**
Energy star labeled this product could save your energy costs.



For easy future reference, write the model and serial number down which can be found on the left side of the refrigerator.

Model # _____

Serial # _____











Safety Information

SAFETY INFORMATION

Before using your new Samsung French Door Refrigerator, please read this manual thoroughly to ensure that you know how to safely and efficiently operate the features and functions that your new appliance offers.

Because the following instruction covers various models, the characteristics of your Refrigerator may differ slightly from the Refrigerator described in this manual. If you have any question, contact us at 1-800-SAMSUNG or find help and information online at www.samsung.com.

What the icons and signs in this user manual mean :

 WARNING	Hazards or unsafe practices that may result in severe personal injury or death.
 CAUTION	Hazards or unsafe practices that may result in minor personal injury or property damage.
 CAUTION	To reduce the risk of fire, explosion, electric shock, or personal injury when using your refrigerator, follow these basic safety precautions:
	Do NOT attempt.
	Do NOT disassemble.
	Do NOT touch.
	Follow directions explicitly.
	Unplug the power plug from the wall socket.
	Make sure the machine is grounded to prevent electric shock.
	Call the service center for help.

**These warning signs are here to prevent injury to you and others.
Please follow them explicitly
Keep this manual in a safe place for future reference.**

SEVERE WARNING SIGNS

 **Do not plug several appliances into the same power receptacle.**

- Large appliances draw a lot of power. Powering more than one appliance or machine from a single power source could cause overheating and cause a fire.

Make sure that the power plug is not kinked or damaged by the back of the Refrigerator.

- A damaged power plug may overheat and cause a fire.

Do not spray water directly into or on the outside of the Refrigerator/Freezer drawer.

- Water could get into the interior machine parts and cause electric shock.

Do not use aerosols near the Refrigerator.

- Aerosols used near the Refrigerator may cause an explosion or fire.

Safety Information

Do not put undue stress on the power cord or place heavy articles on it.

- Placing heavy articles on the power cord create the risk of explosion or fire.

Do not insert the power plug with wet hands.

- It may cause electric shock.

Do not put a container filled with water on the Refrigerator.

- If it spills, it may cause fire or electric shock.

Do not install the Refrigerator in a damp place or water closed places.

- Wet and/or deteriorated insulation of the internal electrical parts may cause electric shock or fire.

Do not store volatile, flammable or high evaporating substances in the refrigerator.

- Storing benzene, thinner, alcohol, ether, LP gas, dryice, and other such products may cause explosions.



Do not disassemble or repair the Refrigerator by yourself.

- You run the risk of fire, appliance malfunctions and/or personal injury. Call your nearest service center for help from a qualified service technician.



Unplug the Refrigerator before changing the interior light.

- Changing the light while the Refrigerator is plugged in may cause electric shock.

If you wish to dispose of the Refrigerator, remove the doors and seals before throwing it away.

- The doors(and their seals) can entrap a child if they climb into the Refrigerator. Make sure that the doors are off, and ensure that no one is suffocated by being locked inside.



The Refrigerator must be safely grounded

- Always make sure that you have grounded the Refrigerator before attempting to investigate or repair any part of the appliance. Power leakages can cause severe electric shock.

Never use gas pipes, telephone lines or other potential lightning attractors as an electrical ground.

- Improper use of the grounding plug can result in a risk of electric shock. If it is necessary to use an extension cord to power the Refrigerator, use only a 3-wire extension cord that has a 3-blade ground plug and a 3-slot receptacle that will accept the plug on the appliance. The marked rating of the extension cord should be AC 115V~120V, 10A, or more. Additionally, if a grounding adapter is used, make sure the receptacle box is also fully grounded.

CAUTION SIGNS



Use good judgment when filling the Refrigerator with food and drinks.

- In an overfull Refrigerator, heavy, fragile, bulky or breakable items may fall out and cause personal injury and/or damage to surrounding objects.

Do not put bottles or glass containers in the Freezer drawer.

- When the contents freeze and then expand, the glass may break and cause personal injury or leave dangerous glass shards in the Freezer.

If the electrical wall socket is loose, do not insert the power plug.

- There is a risk of electric shock or fire. Have the plug looked at by a licensed electrician.



Never unplug your Refrigerator by pulling on the power cord.

- Always grip the power cord firmly and pull straight out from the outlet. Yanking or pulling on the power cord may cause a short-circuit, fire and/or electric shock.
- A damaged power cord must be replaced by the manufacturer, a certified service agent or qualified service personnel.

Do not store articles on the top of the appliance.

- When you open or close the door, the articles may fall and cause personal injury and /or damage to surrounding objects.

Do not store pharmaceutical products, scientific materials and temperature-sensitive products in the refrigerator.

- Products that require exact temperature controls should not be stored in the Refrigerator.



Do not allow children to climb, stand or hang on shelves and handles of the Refrigerator. They could damage the Refrigerator and seriously injure themselves.

Do not sit on the freezer door. The door may break.

Do not allow children to climb into the freezer basket.



If you notice a chemical or burning plastic smell or see smoke, unplug the Refrigerator immediately and contact your Samsung Electronics Service Center.



After your Refrigerator is in operation, do not touch the cold surfaces in the Freezer compartment. Particularly when hands are damp or wet, skin may adhere to these extremely cold surfaces.

- Skin may stick to the surface and you may get frostbite.


Do not put your hands under the appliance.

- Any sharp edges may cause personal injury.

Safety Information

Never put fingers or other objects into the water dispenser hole or ice chute.

- It may cause personal injury and/or material damage.

 **If the Refrigerator will not be used for a long period of time (for example, over several months), unplug the power from the wall.**

- Over time, deterioration in the power cord insulation may cause fire.

 **Do not use a wet or damp cloth when cleaning the plug.**

Remove any dust or foreign matter from the power plug pins.

- A Dirty power plug can increase the risk of fire.

If the Refrigerator is disconnected from the power supply, you should wait for at least five minutes before plugging it back in.

 **Do not place the equipment directly in sunlight.**

The appliance must be positioned for easy access to power source.

If the power cord is damaged, it must be replaced by the manufacturer, a certified service agent or qualified service personnel.

If you have a long vacation planned, empty the Refrigerator and turn it off.

Wipe excess moisture from the inside and leave the doors open to keep odor and mold from developing.

 **Service Warranty and Modification**

- Any changes or modifications performed by a 3rd party on this finished appliance is not covered under Samsung warranty service, nor can Samsung be responsible for safety issues that result from 3rd party modifications.

 **Children can get trapped inside Refrigerators.**

CAUTION Before you throw away your old Refrigerator or Freezer, make sure that you;

- Take off the doors.
- Leave all shelves in places so that children may not easily climb inside and shut the door while they are inside.

 This appliance is not intended for use by small children or infirm persons without capable, adult supervision. Small children should be supervised when using the appliance.

Contents

SETTING UP YOUR FRENCH DOOR REFRIGERATOR

08

- 08 Getting ready to install the refrigerator
- 09 Removing the refrigerator doors
- 11 Disassemble the freezer drawer
- 12 Reattaching the refrigerator doors
- 14 Assemble the freezer drawer
- 15 Adjusting the doors
- 15 Adjusting the support for extension shelf
- 16 Making minor adjustments between doors
- 17 Adjusting the freezer drawer level
- 18 Checking the water dispenser line
- 19 Installing the water line

OPERATING YOUR SAMSUNG FRENCH DOOR REFRIGERATOR

21

- 21 Using the control panel
- 22 Using the digital display
- 23 Controlling the temperature
- 24 Using the ice and cold water dispenser
- 26 Parts and Features(RF267)
- 27 Parts and Features(RF26X)
- 28 Storing food
- 29 Using the Cool Select Pantry™
- 29 Using the tilting pocket
- 30 Removing the refrigerator accessories
- 31 Using the doors
- 32 Removing the freezer accessories
- 33 Cleaning the refrigerator
- 34 Changing the interior lights
- 35 Changing the water filter
- 40 Troubleshooting

TROUBLESHOOTING

40

WIRING DIAGRAM

41

- 41 Wiring diagram

WARRANTY

42

- 42 Warranty

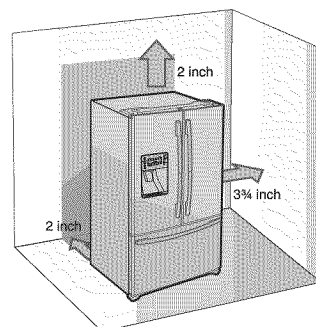
Setting up your French Door Refrigerator

GETTING READY TO INSTALL THE REFRIGERATOR

Congratulations on your purchase of the Samsung French Door Refrigerator. We hope you enjoy the state-of-art features and efficiencies that this new appliance offers.

Selecting the best location for the Refrigerator

- A location with easy access to the water supply.
- A location without direct exposure to sunlight.
- A location with level (or nearly level) flooring.
- A location with enough space for the Refrigerator doors to open easily.
- Allow sufficient space for air circulation of the internal cooling system.
If the Refrigerator does not have enough space, the internal cooling system may not work properly.

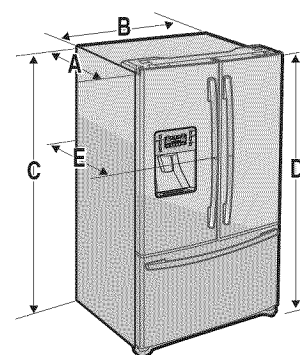


If your refrigerator has an ice maker, allow extra space at the back for the water line connections. When you install the refrigerator next to a fixed wall, minimum clearance is 3 3/4" (95mm) between the refrigerator and wall to allow the door to swing open.

First thing! Make sure that you can easily move your Refrigerator to its final location by measuring doorways (both width and height), thresholds, ceilings, stairways, etc.

The following chart details the exact height and depth of Samsung French Door Refrigerator.

Model	Depth "A"	Width "B"	Height "C"	Overall Height "D"	Depth "E"
RF267 RF26X	29-1/8" (83.6cm)	35-3/4" (90.8cm)	68-5/8" (174.4cm)	69-3/4" (177.4cm)	35-5/8" (90.5cm)

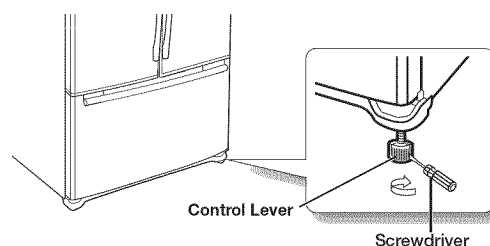


- ☑ Allow clearance to the right, left, back and top when installing. This will help reduce power consumption and keep your energy bills lower.
- **Do not install the Refrigerator where the temperature will go below 50 °F (10 °C).**

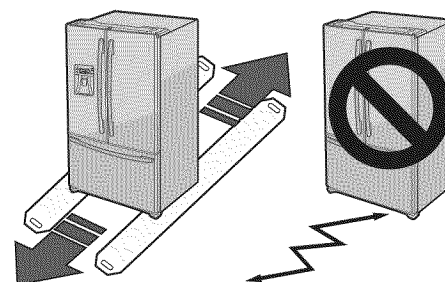
When moving your refrigerator

To prevent floor damage be sure the front levelling legs are in the up position (above the floor). Refer to 'Levelling the refrigerator' in the manual.

To protect the finish of the flooring, place the protection sheet such as packing carton under the refrigerator.



CAUTION When installing, servicing or cleaning behind the refrigerator, be sure to pull the unit straight out and push back in straight after finishing.

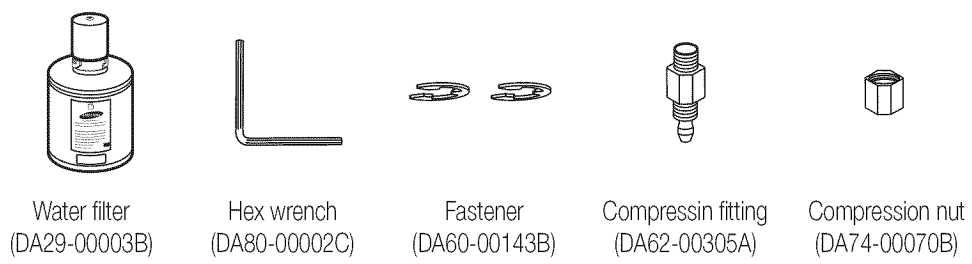


SETTING UP THE REFRIGERATOR

Now that you have your new Refrigerator installed in place, you are ready to set up and enjoy the features and functions of the appliance. By completing the following steps, your Refrigerator should be fully operational.

1. Place the Refrigerator in an appropriate location with reasonable clearance between the wall and the Refrigerator. Refer to installation instructions in this manual.
2. Once the Refrigerator is plugged in, make sure the interior light comes on when you open the doors.
3. Set the Temperature control to the coldest temperature and wait for an hour. The Freezer will get slightly chilled and the motor will run smoothly.
4. After powering the Refrigerator, it will take a few hours to reach the appropriate temperature. You can store food and drinks in the Refrigerator after the temperature is sufficiently cool.

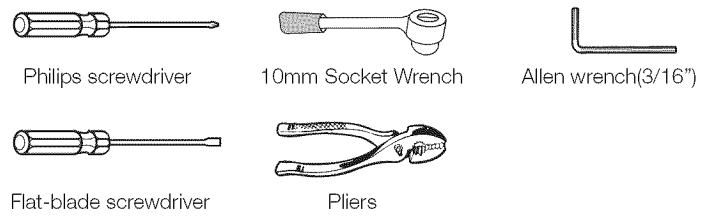
 Check the accessory list below.



REMOVING THE REFRIGERATOR DOORS

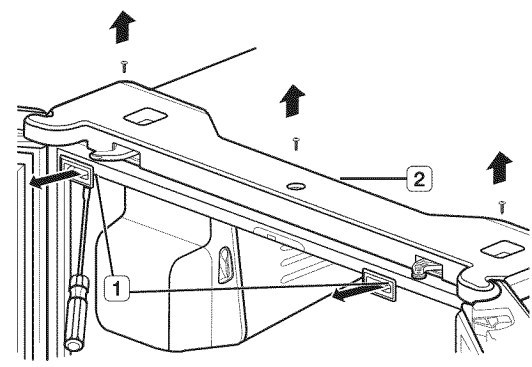
If the Refrigerator is too large to pass through your doorway easily, you can remove the refrigerator doors.

Tools you will need



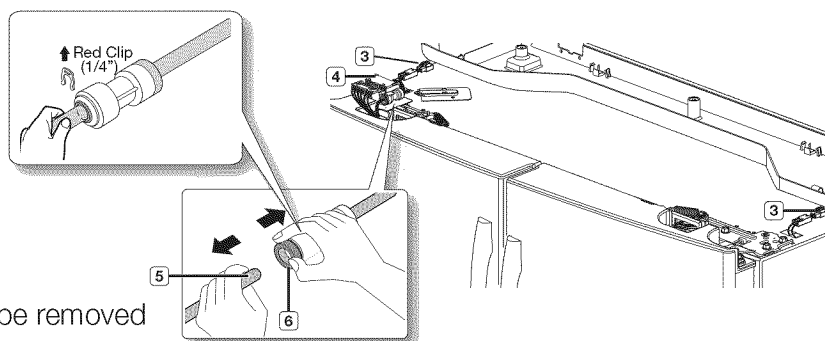
Disassemble the Refrigerator doors

1. With the door opened, remove the Top Table cap (1) with a Flat head screwdriver, and close the door.
Remove the 3 screws holding down the Top Table and remove the Top Table(2).



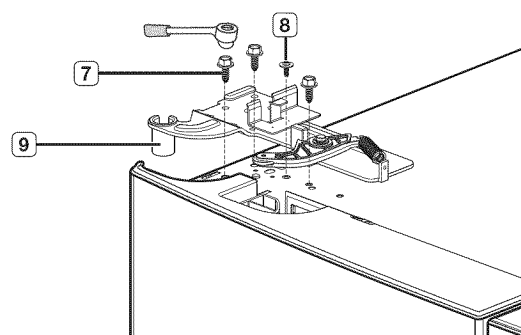
Setting up your French Door Refrigerator

2. Disconnect two connectors (3) at each side of the top cap and the one connector (4) on left side door. Remove the tube (5) with pressing the dark gray color part (6) of the water line coupler.

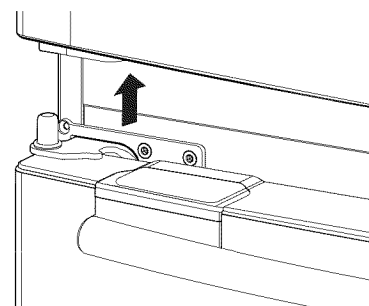


CAUTION If a red clip is on the coupler, it must be removed before removing the tube.

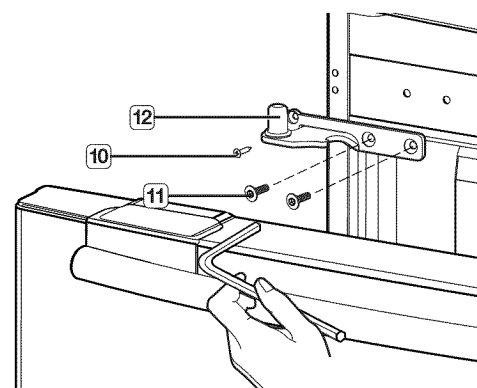
3. Remove the three hex head bolts (7) attached to the upper left and right door hinges with a Wrench (10mm).
With a Philips head screwdriver, remove the ground screw (8) attached to the upper left and right door hinges.
Remove the upper left and right door hinges (9).



4. Lift the door straight up to remove.

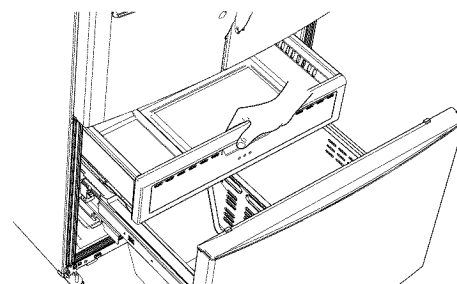


5. With a Philips head screwdriver, remove the two screws (10) attached to the lower left and right door hinges.
With an Allen Wrench (3/16 inch), remove the two hex head bolts (11) attached to the lower left and right door hinges.
Remove the lower left and right door hinges (12).

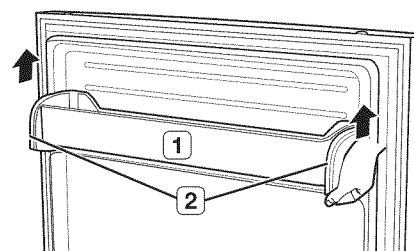


DISASSEMBLE THE FREEZER DRAWER

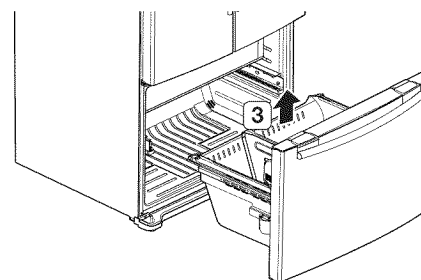
1. Take out the upper drawer by lifting it up.



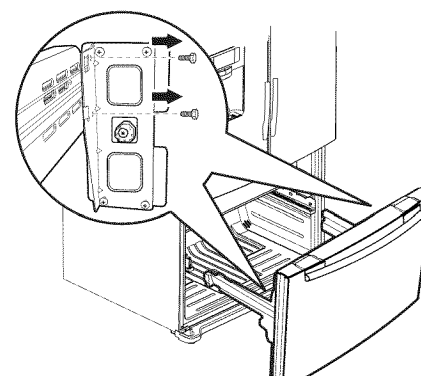
2. Remove the tilting pocket(1) by pulling on both brackets(2) upward at the same time.



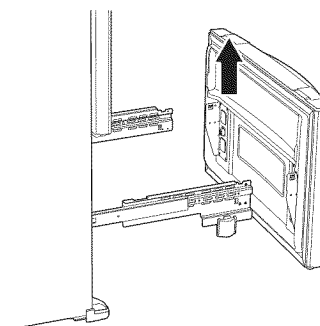
3. Take out the lower basket(3) by lifting the basket up from rail system.



4. Remove four 10mm hex-head bolts from both sides.



5. Lift the freezer door up from the rails.

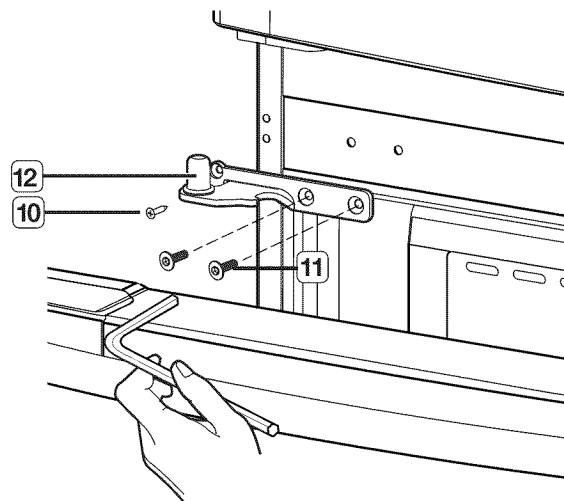


Setting up your French Door Refrigerator


REATTACHING THE REFRIGERATOR DOORS

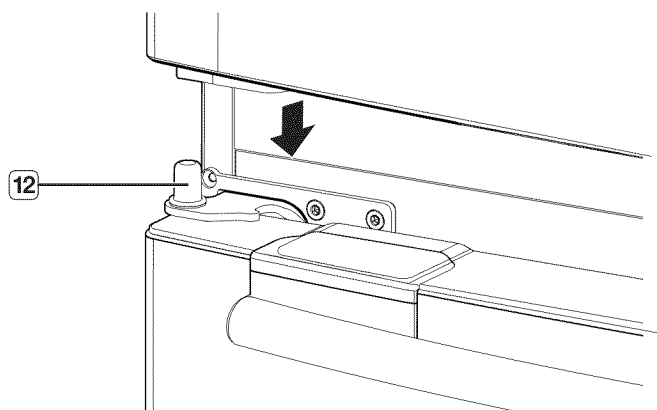
Assemble the Refrigerator doors

1. Reattach the lower left and right door hinges(12).
With a Philips head screwdriver, insert and tighten a screw(10) into the lower left and right door hinges.
With a Allen Wrench(3/16"), insert and tighten the two hex head bolts(11) into the lower left and right door hinges.

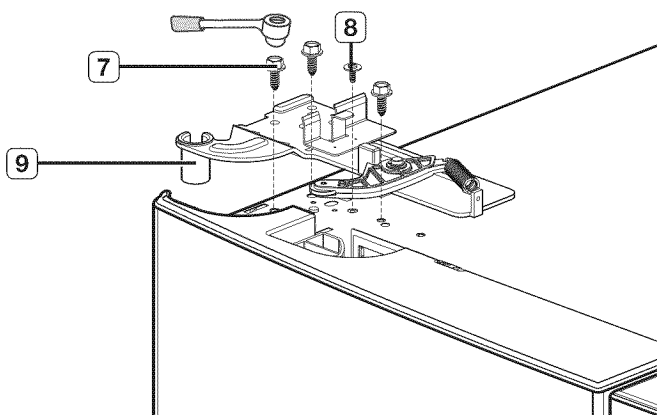


2. Place the hole in the bottom of the door over the lower hinge(12).

 Be careful not to miss the hinge cap because it can be easily taken off.



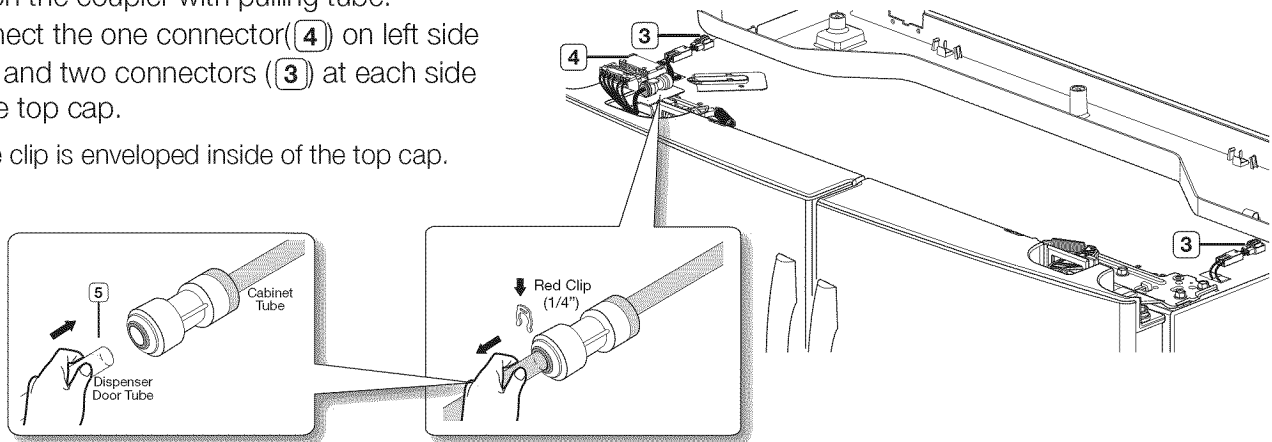
3. Insert the upper hinges(9) into the holes at the top of the doors.
With a Wrench(10mm), insert and tighten the 3 hex head bolts(7) into the upper left and right door hinges.
With a Philips head screwdriver, insert and tighten the ground screw(8) into the upper left and right door hinges.




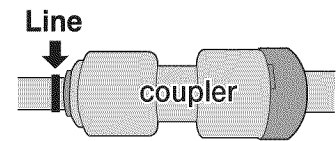
REATTACHING THE REFRIGERATOR DOORS

4. Connect the water line (5) and then insert a clip on the coupler with pulling tube. Connect the one connector (4) on left side door and two connectors (3) at each side of the top cap.


 The clip is enveloped inside of the top cap.

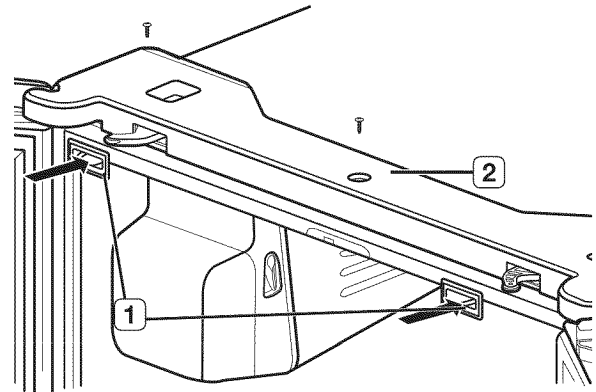


CAUTION  The water line (5) must be fully inserted to the marked line to prevent water leakage from the dispenser.



5. Position the Top Table (2) in place. With a Philips head screwdriver, insert and tighten the 3 screws into the Top Table. With the door opened, reinsert the Top Table cap (1) and close the doors.

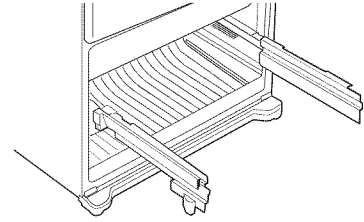
 When reattaching the top table, make sure that the wires are not pressed or damaged by the top table.



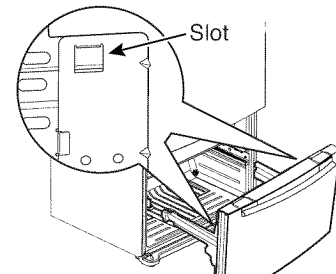
Setting up your French Door Refrigerator

ASSEMBLE THE FREEZER DRAWER

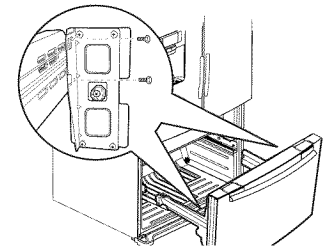
1. Pull out the rails to the full length on each side of the cabinet evenly.



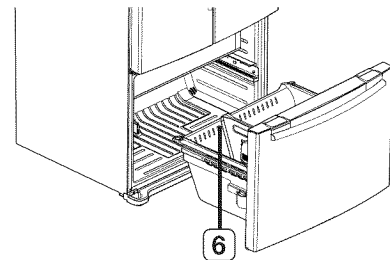
2. Hang the freezer door front onto open slots on the sides.



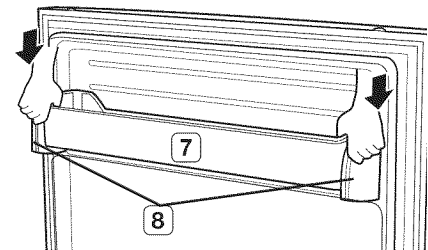
3. Tighten four 10mm hex-head screws completely.



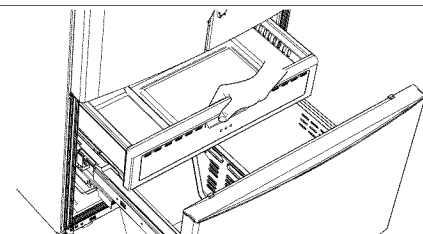
4. With the drawer pulled out fully, insert the lower basket (6) into the rail system.



5. Hook the ends of the tilting pocket (7) into both brackets (8), and push down until they lock into place.



6. Insert the upper drawer.

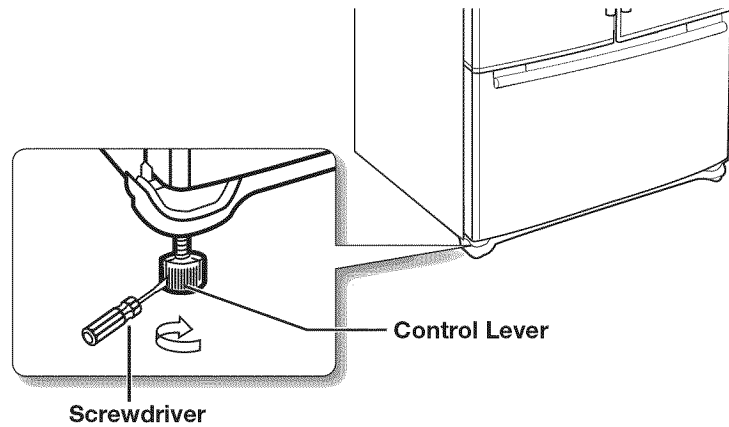


ADJUSTING THE DOORS

Now that the doors are back on the Refrigerator, you want to make sure the Refrigerator is level so that you can make final adjustments. If the Refrigerator is not level, it will not be possible to get the doors perfectly even.

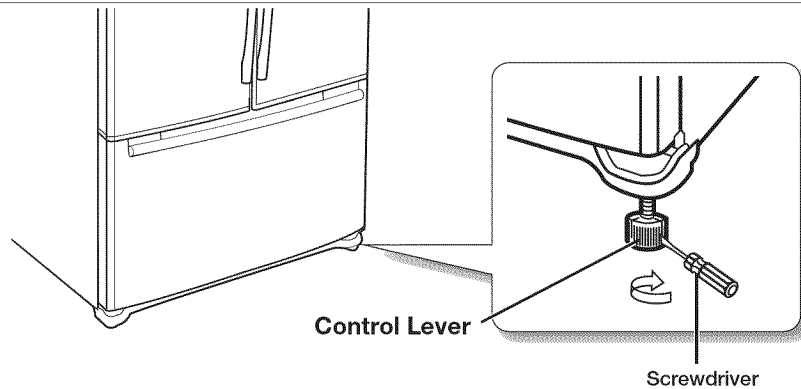
When the Left door is lower than the Right door.


Insert a flat-blade screwdriver into a notch on the left control lever, turn it clockwise or counter-clockwise to level the left door.



When the Left door is higher than the Right door.

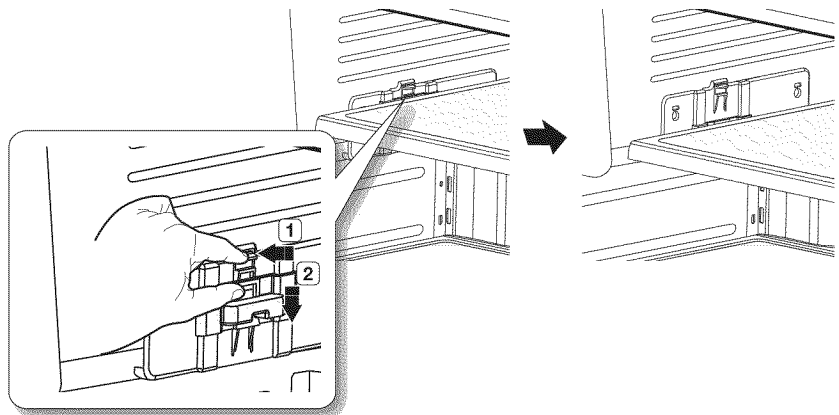
Insert a flat-blade screwdriver into a notch on the right control lever, turn it clockwise or counter-clockwise to level the right door.



 We do not recommend making small adjustments with the control lever. Instead, refer to the next page for the best way to make minor adjustments to the doors.

ADJUSTING THE SUPPORT FOR EXTENSION SHELF(RF26X)

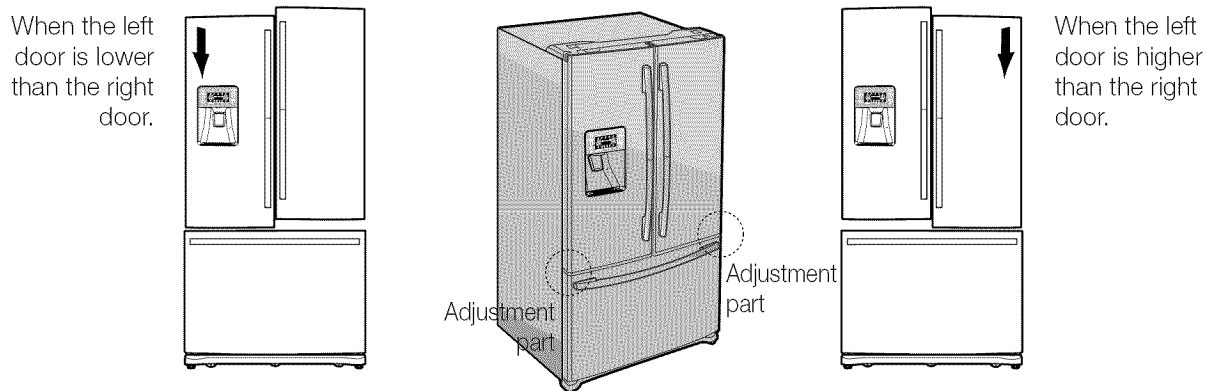
1. Remove the extension shelf.
2. Press the **1** hook and lower down the **2** movable supporter.
3. Hang the extension shelf at the lower position.



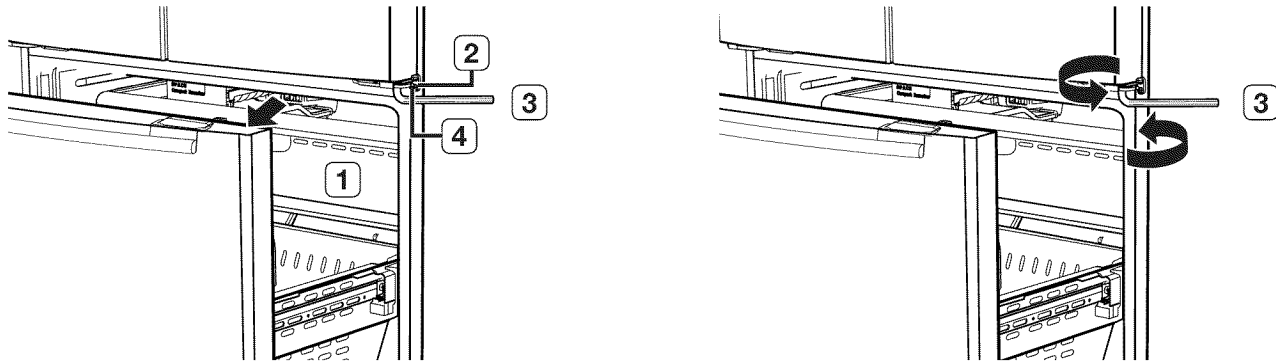
Setting up your French Door Refrigerator

MAKING MINOR ADJUSTMENTS BETWEEN DOORS

Remember a level Refrigerator is necessary for getting the doors perfectly even. If you need help, review the previous section on leveling the Refrigerator.

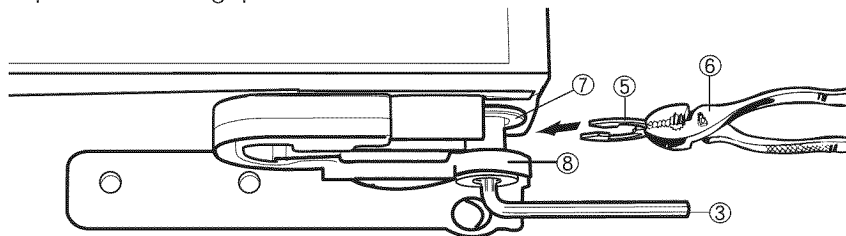


1. If you open the drawer (1), you can see the lower hinge (2).
2. Insert the supplied hex wrench (3) into the shaft (4) of the lower hinge.
3. Please adjust the height by turning the hex wrench (3) clockwise (↻) or counter-clockwise (↺).



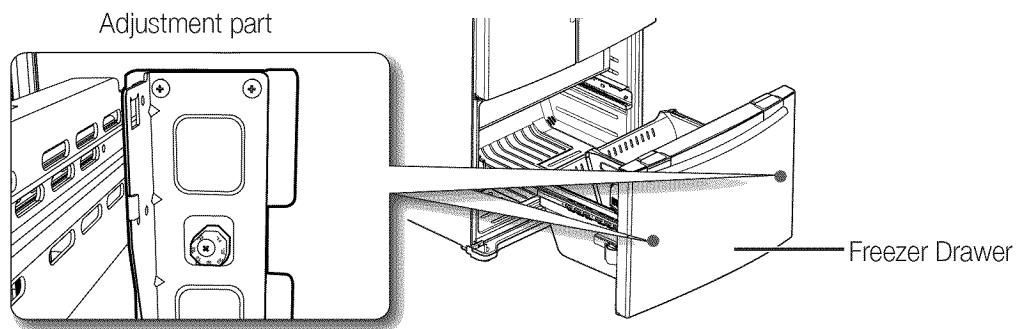
when you turn the hex wrench counter-clockwise (↺), the door will move up.

1. After adjusting the doors, please insert the supplied fastener-ring (5) using a pair of pliers (6) in the gap between the hinge-grommet (7) and the lower hinge (8). The number of fastener-rings you'll need to insert depends on the gap.

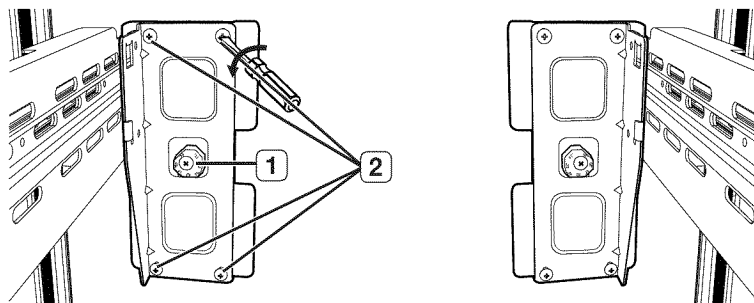


Two fastener-rings are enclosed with the refrigerator.
The thickness of each fastener-ring is 0.04 inch.

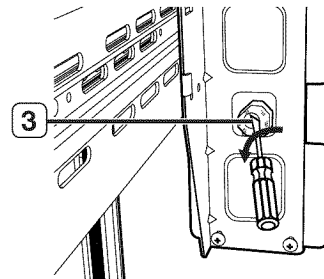
ADJUSTING THE FREEZER DRAWER LEVEL



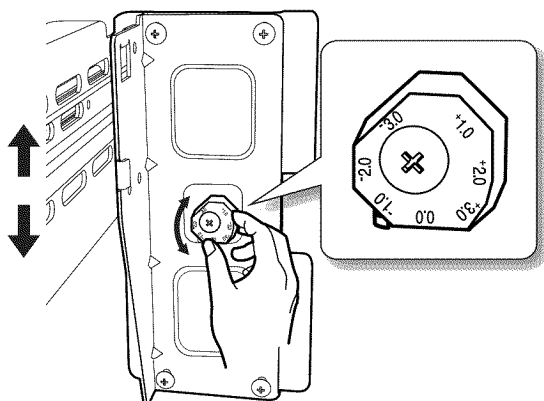
1. Locate the height-adjuster (1) in the freezer drawer.
Unscrew the four Phillips screws (2) slightly to loosen the door.



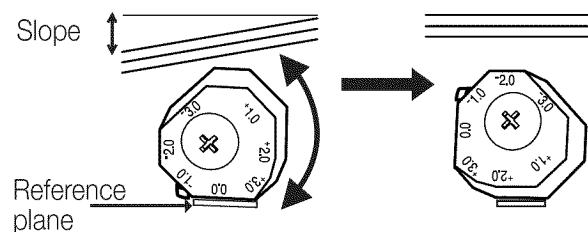
2. Loosen the controller screw (3) with a Phillips screwdriver.



3. Find the best level to align the door slope.



Example) The slope is about 2mm (0.08inch) as shown below.



- Rotate the Height Adjuster to +2.0 to reduce the door slope.

Setting up your French Door Refrigerator

CHECKING THE WATER DISPENSER LINE


A water dispenser is one of the helpful features on your new Samsung Refrigerator. To help promote better health, the Samsung water filter removes unwanted particles from your water. However, it does not sterilize or destroy microorganisms. You may need to purchase a water purifying system to do that.

In order for the ice maker to operate properly, a water pressure of 20~125 psi (pound per square inch) is required.

Under normal conditions, a 170 cc (5.75 oz.) paper cup can be filled in 10 seconds.

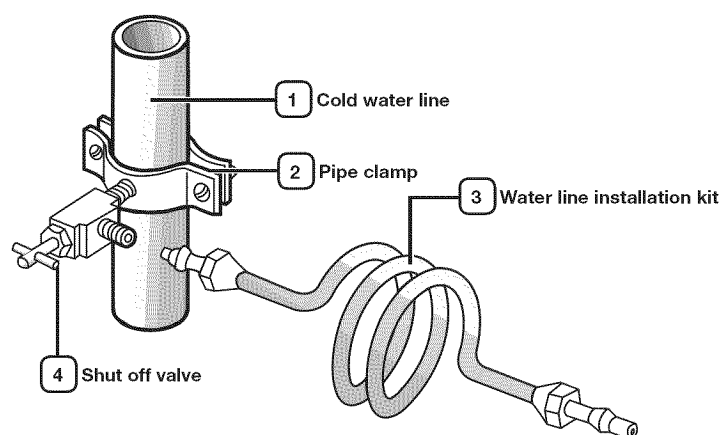
If the Refrigerator is installed in an area with low water pressure (below 20psi), you can install a booster pump to compensate for the low pressure.

Make sure the water storage tank inside the Refrigerator is properly filled. To do this, press the water dispenser lever until the water runs from the water outlet.

 Water line installation kits are available at extra cost from your dealer. We recommend using a water supply kit that contains copper tubing.

Connecting to the water supply line

1. First, shut off the main water supply line and turn the ice-maker off.
2. Locate the nearest cold, drinking water line.
3. After connecting the water supply to the water filter, turn your main water supply back on and flush four or more gallons into a bucket to clear and prime the water filter.

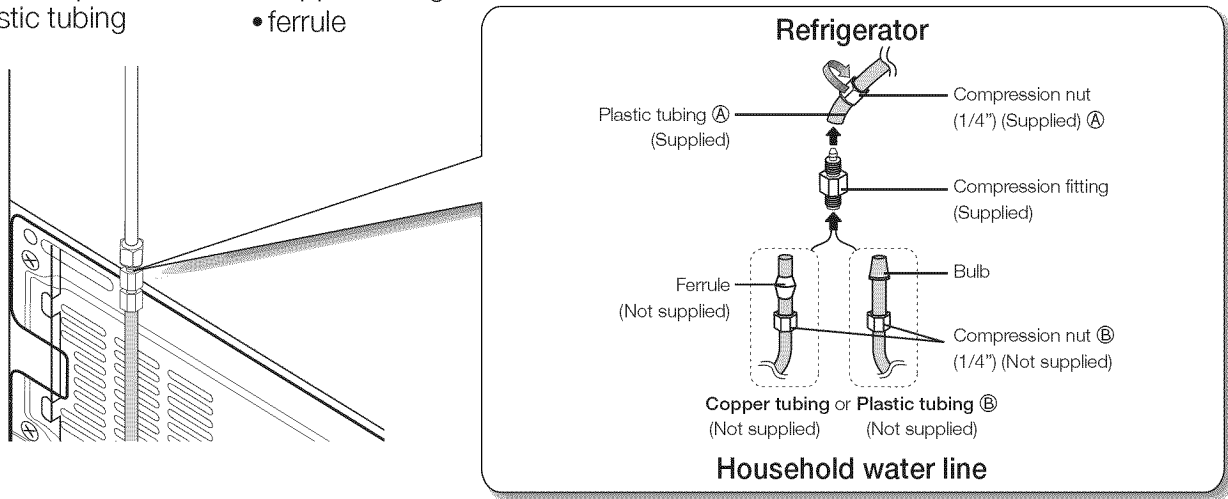


INSTALLING THE WATER LINE

Connecting the water line to the Refrigerator.

There are several items that you need to purchase to complete this connection. You may find these items sold as a kit at your local hardware store.

- 1/4" compression nut
- copper tubing
- plastic tubing
- ferrule



1. Slip the compression nut (A) through the supplied plastic tubing (A).
2. Tighten the compression nut (A) onto the 1/4" compression fitting.
 - If you are using copper tubing, slip the compression nut (B) (not included) and ferrule (not included) on copper tubing (not included) as shown.
 - If you are using plastic tubing (B), insert the molded end(Bulb) of the plastic tubing (B) into the compression fitting.



Do not use without the molded end(Bulb) of the plastic tubing (B).

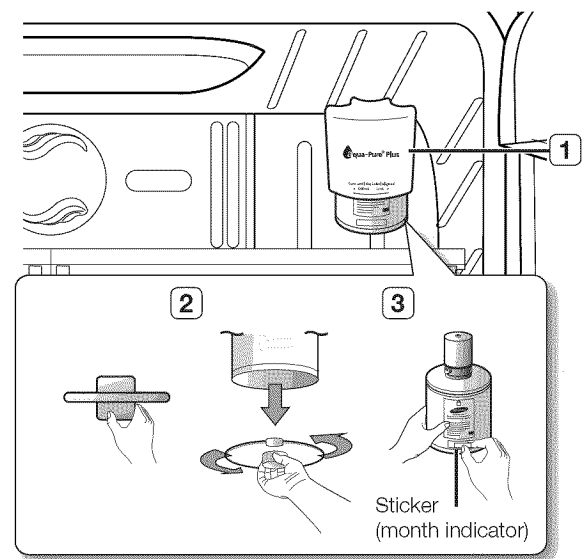
3. Tighten the compression nut (B) onto the compression fitting. Do not over-tighten the compression nut (B).
4. Turn water on and check for any leakage.



Only connect the water line to a drinkable water source. If you have to repair or disassemble the water line, cut off 1/4" of the plastic tubing to make sure you get a snug, leak-free connection.

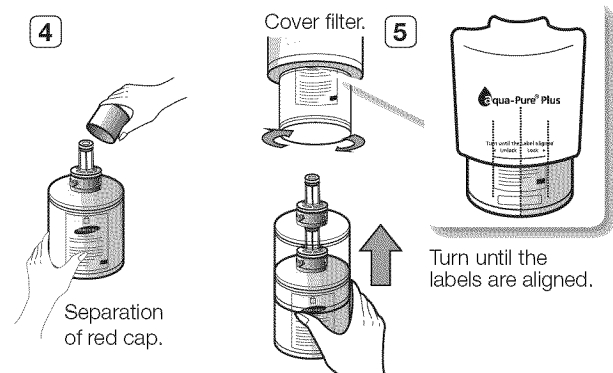
Installing the water filter.

1. Remove the water filter cover(1)
2. Remove the fixed cap by turning it counter clockwise. Keep the cap in a safe place for later use if you don't use the filter.
3. Remove the water filter from the box and put a replacement indicator sticker on the filter as shown. Place a sticker on the filter that dates six months in the future. For example, if you install the water filter in March, put the "SEP" sticker on the filter to remind you to replace it in September. That way you'll know when it is time to replace the filter. Normally, a filter life is about 6 months.



Setting up your French Door Refrigerator

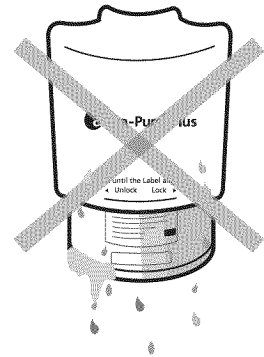
4. Remove the filter cap and insert the filter into the filter housing.
5. Slowly turn the water filter 90° clockwise to align with the printing mark on the cover, locking the filter in position. Make sure to align the water filter label mark with center of cover filter printing as illustrated. Remember, do not over-tighten.




 You should remove the right side upper glass shelf before installing water filters.

Removing any residual matter inside the water supply line after installing the water filter.

1. Turn ON the main water supply & turn OFF the valve to the water supply line.
2. Run water through the dispenser until the water runs clear (approx. 6-7 minutes). This will clean the water supply system and remove air from the lines.
3. Additional flushing may be required in some households.
4. Open the Refrigerator door and make sure there are no water leaks coming from the water filter.



 Be sure to flush the dispenser thoroughly, otherwise water may drip from the dispenser. This means that there is still air in the line.

Reverse Osmosis Water Supply

IMPORTANT : The pressure of the water supply coming out of a reverse osmosis system going to the water inlet valve of the refrigerator needs to be between 35 and 120 psi (241 and 827 kPa).

If a reverse osmosis water filtration system is connected to your cold water supply, the water pressure to the reverse osmosis system needs to be a minimum of 40 to 60 psi (276 to 414 kPa.)

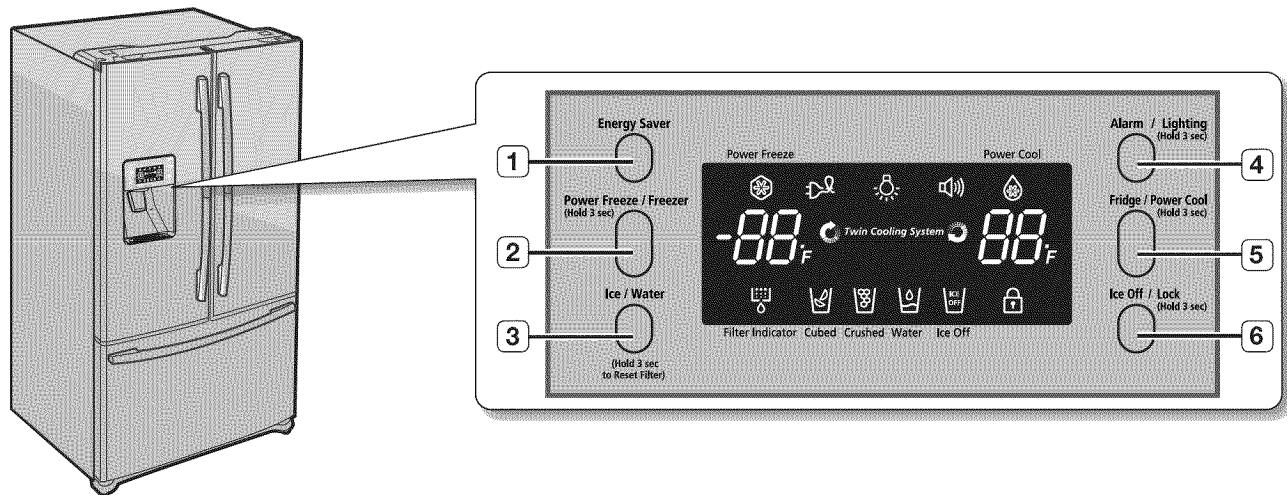
If the water pressure to the reverse osmosis system is less than 40 to 60 psi (276 to 414 kPa):

- Check to see whether the sediment filter in the reverse osmosis system is blocked. Replace the filter if necessary.
- Allow the storage tank on the reverse osmosis system to refill after heavy usage.
- If your refrigerator has a water filter, it may further reduce the water pressure when used in conjunction with a reverse osmosis system. Remove the water filter.

If you have questions about your water pressure, call a licensed, qualified plumber.

Operating your SAMSUNG French Door Refrigerator

USING THE CONTROL PANEL



(1) Energy Saver Button

For better energy efficiency, press the **Energy Saver** button. If condensation occurs on the doors, turn the **Energy Saver** function off.

(2) Freezer / Power Freeze Button

Press the **Freezer / Power Freeze** button to set the Freezer to your desired temperature. You can set the temperature between 8°F and -14°F. Press and hold the **Freezer / Power Freeze** Button for 3 seconds, to speed up the time needed to freeze products in the Freezer. It can be helpful if you need to quickly freeze easily spoiled items or if the temperature in the Freezer has warmed dramatically (For example, if the door was left open).

(3) Ice / Water Button

Press the **Ice/Water** button to select the ice or water function. You can select water or the types of ice(cube/crushed ice). After making a selection, press the dispenser lever.

(4) Alarm / Lighting Button

Press the **Alarm/Lighting** button to turn off the door open alarm. Initially the **Alarm** is set to on. If you press and hold the **Alarm/Lighting** button for 3 seconds, the Dispenser LED Lamp will stay on.

(5) Fridge / Power Cool Button

Press the **Fridge / Power Cool** button to set the fridge to your desired temperature. You can set the temperature between 34°F and 46°F. Press and hold the **Fridge / Power Cool** button for 3 seconds, to speed up the time needed to cool products in the Refrigerator. It can be helpful if you need to quickly cool easily spoiled items or if the temperature in the fridge has warmed dramatically (For example, if the door was left open).

(6) Ice Off / Lock Button

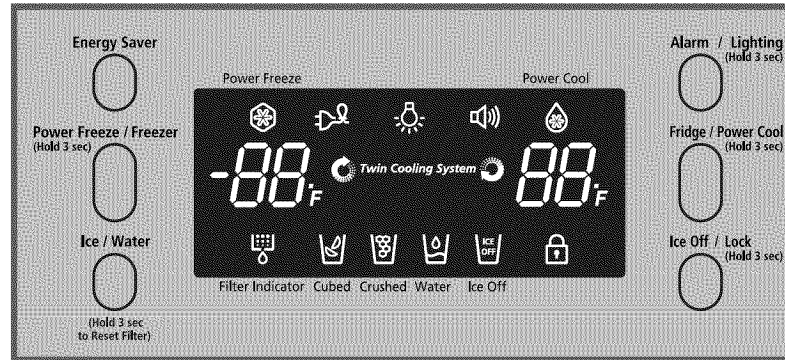
Press the **Ice Off / Lock** button to turn the ice making function off. If you press and hold the **Ice Off / Lock** button for 3 seconds, the Display and Dispenser will be locked.

USING THE DIGITAL DISPLAY

“Freezer Temp” indicates the current Freezer temperature.

“Fridge Temp” indicates the current Refrigerator temperature.

When not in use the Display will turn off, this is normal.



Power Freeze

This icon will light up when you activate the “Power Freeze” feature. “Power Freeze” is great when you need a lot of ice.

When you have enough ice, just press the button again to cancel the “Power Freeze” mode.

If you select “Power Freeze”, the inside temperature of the Freezer will decrease for about two and a half hours.

Cubed Ice , Crushed Ice , Water

Enjoy cubed or crushed ice by selecting your preference from the digital control panel. If you don't need ice, turn the feature off to save on water and energy consumption. The Ice type light indicates the type of ice(or no ice) that is currently chosen.

Power Cool

This icon will light up when you activate the “Power Cool” button. For a quick fridge cool down, use “Power Cool”.

If you select “Power Cool”, the inside temperature of the Fridge will decrease for about two and a half hours.

Filter Indicator

When the filter indicator light is on, it is time to change the filter. Typically this happens about every 6 months.

The filter Indicator will be Blue when you initially insert the water filter.


The filter Indicator will be Light Pink when you have used your water filter for 5 months.

The filter Indicator will be Red when you have used your water filter for 6 months.

After removing the old water filter and installing a new one (see page 33 for instructions on how to do this), reset the indicator by pressing and holding the “Ice/Water” button for 3 seconds.

Cooling Off Mode (“OF & OF” code on the display)

 This function is for store display refrigerators. It is not for customer use.

 In Cooling Off Mode, the refrigerator works but doesn't make cool air. To cancel this mode, **CAUTION** press the Power Freeze and Freezer buttons at the same time for 3 seconds until a “Ding-dong” sound is heard and the unit will now cool.

Operating your SAMSUNG French Door Refrigerator

Energy Saver

This icon will light up when you activate the “Energy Saver” function is automatically set to “ON” when power is supplied to the Refrigerator. If condensation occurs on the doors, turn the Energy Saver function off.

Lighting

This icon will light up when you activate the “Lighting” feature. In this case, the dispenser light (under the display) will be on constantly. If you would like the dispenser light to come on only when using the dispenser, turn the “Lighting” feature off.

Alarm

This icon will light up when you activate the “Alarm” feature. The door alarm will sound if any door is open for more than 3 minutes. The beeping stops when you close the door. Initially the Alarm is set to on.

Ice Off

This icon will light up when you activate the “Ice Off” feature. In this case, the ice will not be produced.

Lock

This icon will light up when you activate the “Lock” feature. In this case, you won't be able to use the control panel. If you press and hold the Ice Off / Lock button for 3 seconds, you will be able to use the control panel again.

CONTROLLING THE TEMPERATURE

Basic Temperature of Freezer and Refrigerator Compartments

The basic temperature and/or recommended temperature of Freezer and Refrigerator Compartments are -2°F and 38°F respectively.

If the temperature of Freezer and Refrigerator Compartments are too high or low, adjust the temperature manually.

Controlling the Freezer temperature

The Freezer temperature can be set between 8°F and -14°F to suit your particular needs. Press the Freezer button repeatedly until the desired temperature is shown in the temperature display. Keep in mind that foods like ice cream may melt at 4°F.


The temperature display will move sequentially from -14°F to 8°F. When the display reaches 8°F, it will begin again at -14°F. Five seconds after the new temperature is set, the display will again show the actual current freezer temperature until the new temperature is reached.

Controlling the Refrigerator temperature

The Refrigerator temperature can be set between 46°F and 34°F as your particular needs. Press the Fridge button repeatedly until the desired temperature is shown in the temperature display.

The temperature control process for the Fridge works just like the Freezer process.

Press the Fridge button to set your desired temperature. After a few seconds, the Fridge will begin adjusting towards the newly set temperature. This will be reflected in the digital display.

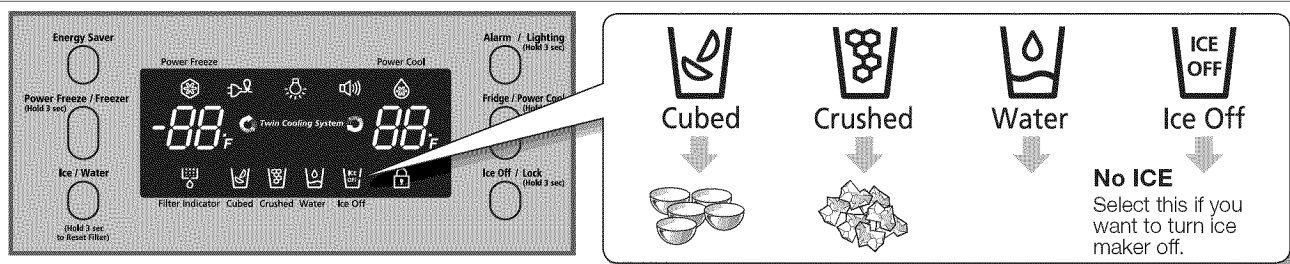
 The temperature of the Freezer or the Refrigerator may rise when you open the doors too frequently, or if a large amount of warm or hot food is placed in either side.

This may cause the digital display to blink. Once the Freezer and Refrigerator temperature return to their normal set temperatures, the blinking will stop.

If the blinking continues, you may need to “reset” the Refrigerator. Try unplugging the appliance, wait for around 10 minutes and then plug the power cord back in.

USING THE ICE AND COLD WATER DISPENSER

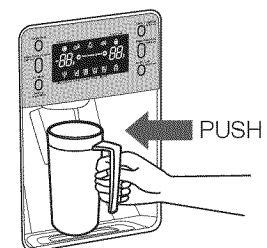
Press the Ice / Water button to select the type of you want



Using the Ice Dispenser

Place a glass underneath the ice dispenser and push gently against the dispenser lever with your glass. Make sure the glass is in line with the dispenser to prevent the ice from bouncing out.

- CAUTION** ⚠️ If the Freezer door is left open for a long time, condensation may form or the ice inside the Ice-Maker may clump. Please close the door as soon as possible.
- The Ice Dispenser may eject only a few ice cubes if there is not enough ice in the Ice-Maker.
- Use the Ice Dispenser when there is enough ice.
- If the Freezer door is open for a long time or a lot of ice is dispensed at once, condensation may trickle down the Dispenser lever.



Using the Water dispenser

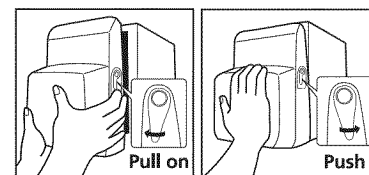
Place a glass underneath the water outlet and push gently against the water dispenser lever with your glass. Make sure the glass is in line with the dispenser to prevent the water from splashing out.

If you have just installed the Refrigerator or just installed a new water filter, pour out the first six glassfuls of water to flush out impurities in the water supply system. Make sure water flows cleanly before drinking.

- CAUTION** ⚠️ When you do not use the water dispenser for 2~3 days (especially during the summer), the dispensed water may have a funny smell or taste. If this occurs, we recommend that you discard the first 1~2 glasses for better tasting water.

Using the Ice Off Function

When selecting the Ice Off mode, remove all ice cubes from the bucket. If you are not using the ice dispenser the ice cubes may clump together. Pull the lock lever forward to throw away ice cubes or remove clumped ice from the bucket. Push the bucket back until you hear a click.



- CAUTION** ⚠️ If you have a long vacation or business trip, close the water valve and shut off the water supply to the Refrigerator. This will help prevent accidental leakages.
- Do not put your fingers, hands or any other unsuitable objects in the chute or ice-maker bucket.
- It may result in personal injury or material damage.
- Never put your finger or any other objects in the dispenser opening.
- It may cause injury.
- Do not disassemble the Ice Maker personally. It may cause disorder.
- Do not wash or spray the ice bucket with water.
- Just wipe it with a dry cloth. In order to operate the ice maker properly, water pressure of 138~862 Kpa is required.



Water clouding phenomenon

All water provided to refrigerators flows through the core filter which is an alkaline water filter. In this process, the pressure in the water that has flowed out of the filter gets increased, and oxygen and nitrogen become saturated. When this water flows out in the air, the pressure plummets and the oxygen and nitrogen get supersaturated so that they turn into gas bubbles. The water could look misty due to these oxygen bubbles. The water may look temporarily cloudy due to these oxygen bubbles. After a few seconds, the water will look clear.

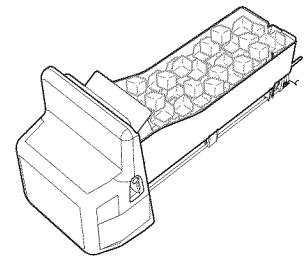
Operating your SAMSUNG French Door Refrigerator

ICE PRODUCTION

Normal Use

To fill ice bucket to maximum capacity after installation, make sure to do the following steps.

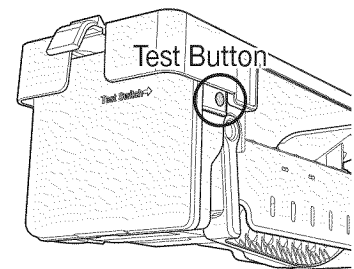
1. Allow your refrigerator to operate and cool down for 24 hours (or 1 full day).
2. Waiting 24 hours will allow your ice maker to cool properly.
3. Dispense 4 to 6 ice cubes into the glass.
4. After 8 and 16 hours, dispense a full glass of ice at each time.



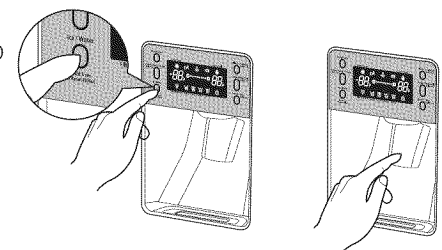
- ☑ Whenever all ice is used at one time, the above step 3 and 4 must be repeated (before dispense the first 4 to 6 ice cubes, it needs waiting 8 hours). This will replenish the ice cubes and ensure maximum ice production.

- ⚠ **Test button**
CAUTION In case ice doesn't come out, pull out the ice bucket and press test button located on the right side of ice maker.

- ☑ Please wait 1 second before removing the cup after dispensing water to prevent spills. Do not pull out the lever dispenser after taking out ice or water. It comes back automatically. Ice is made in cubes. When you select "Crushed", the icemaker grinds the ice cubes into crushed ice.



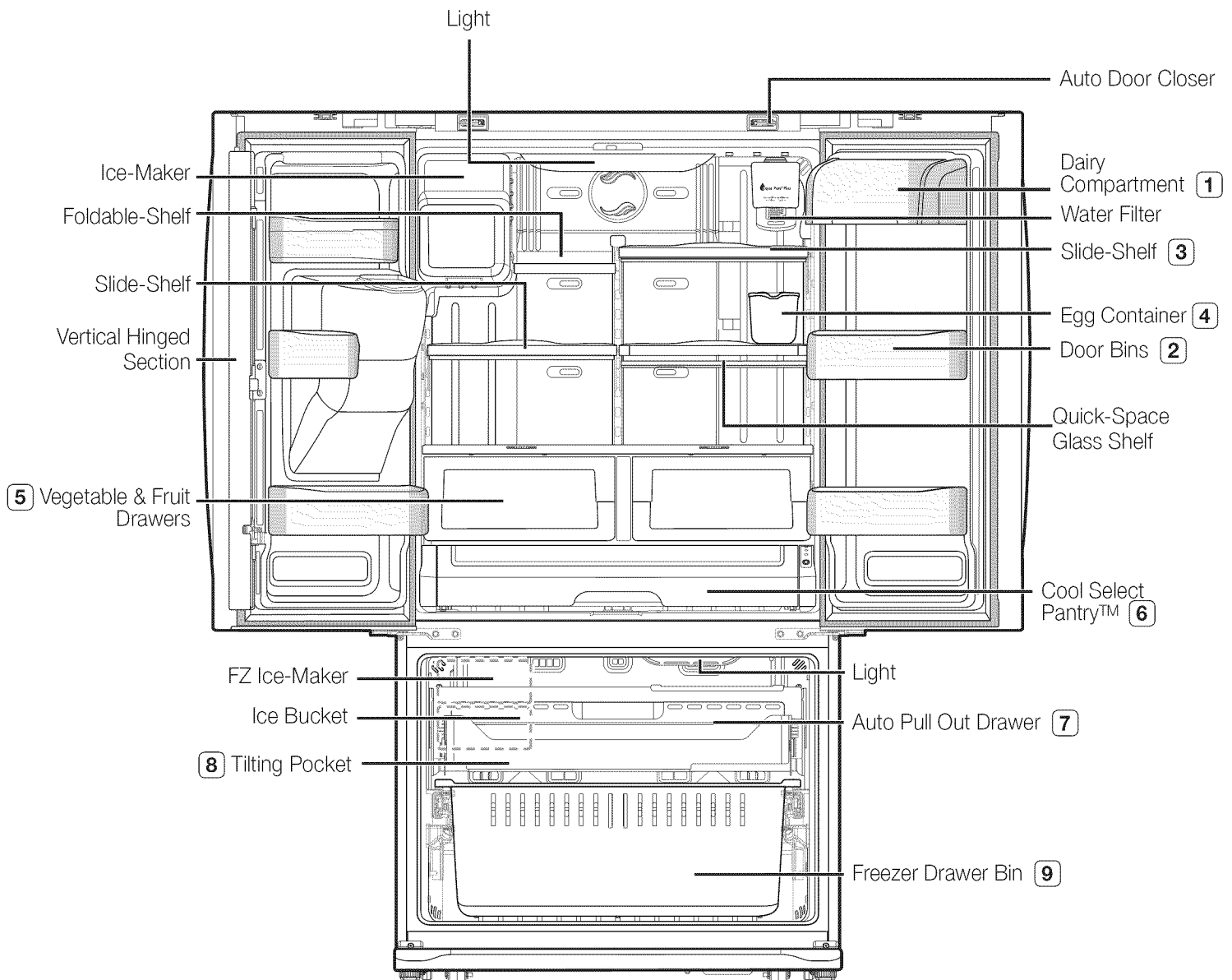
- ⚠ **CAUTION** When you dump the ice from the ice bucket, you should press the dispenser lever once with 'ICE CUBED' or 'CRUSHED' function ON to get new ice faster after replacing the ice bucket in the refrigerator.



Operating your SAMSUNG French Door Refrigerator wherever it appears

PARTS AND FEATURES(RF267)

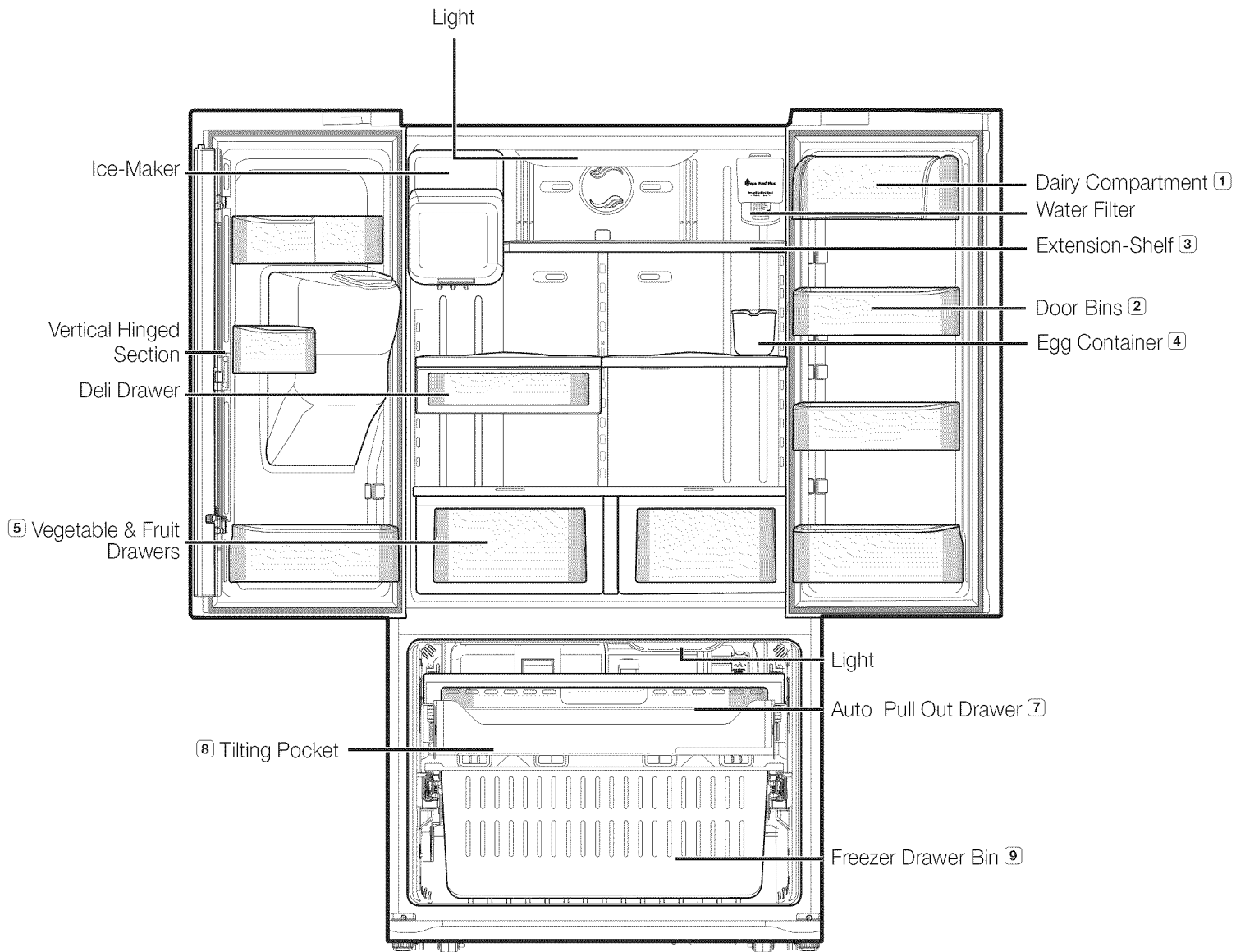
Use this page to become more familiar with the parts and features of the Refrigerator.



- ⓘ When closing the door, make sure the Vertical Hinged Section is in the correct position to avoid scratching the other door.
 If the Vertical Hinged Section is reversed, put it back to the right position and close the door.
 Moisture may occur at times on the Vertical Hinged Section.
 The door handle may become loose over time.
 If this happens, tighten the bolts found on the inside of the door.
 If you close one door with a lot of force, the other door may open.

PARTS AND FEATURES(RF26X)

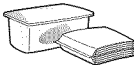

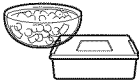
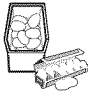

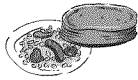
Use this page to become more familiar with the parts and features of the Refrigerator.




STORING FOOD


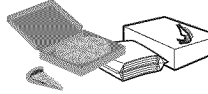

The Samsung French Door Refrigerator has been designed to provide you with maximum space saving features and functions. Here are some of the customized compartments we have created to keep your food fresher longer. In order to further prevent odor from seeping into the ice compartment, stored food should be wrapped securely and as airtight as possible.


STORING FOOD IN THE REFRIGERATOR

(1) DAIRY COMPARTMENT	Can be used to store small dairy items like butter or margarine, yogurt or cream cheese bricks	
(2) DOOR BINS	Designed to handle large, bulky items such as gallons of milk or other large bottles and containers.	
(3) TEMPERED GLASS SHELVES	Designed to be crack-resistant, the shelves can be used to store all types of food and drinks. Circular marks on the glass surface are a normal phenomenon and can usually be wiped clean with a damp cloth.	
(4) EGG CONTAINER	Best place to keep eggs. Place the container on the shelf for easy access.	
(5) VEGETABLE & FRUIT DRAWERS	Used to preserve the freshness of your stored vegetables and fruits. This drawer has been specifically designed to control the level of humidity within the compartment. Keep vegetables and fruits separate if possible.	
(6) COOL SELECT PANTRY™	Can be used for large party trays, deli items, pizza, beverages or miscellaneous items.	

 Do not place any large articles of food under the lamp in the Refrigerator. An air sensor is located near the lamp and if the sensor is blocked, your Refrigerator may become too cold. Please place Vegetable and Fruits in the Vegetable and Fruits drawers to avoid freezing them. If the foods in your Refrigerator become frozen, please set the temperature higher.

STORING FOOD IN THE FREEZER DRAWER

(7) AUTO PULL OUT DRAWER	Best use to store meats or dry foods. Stored food should be placed in a container or wrapped securely using foil or other suitable wrapping materials.	
(8) TILTING POCKET	Can be used for small packages of frozen food. You can also store a 16" pizza.	
(9) FREEZER DRAWER BIN	Can be used to store meat and dry foods. Stored food should be placed in a container or wrapped securely using foil or other suitable wrapping materials.	

 Bottles should be stored tightly together so that they do not tip and fall out when the Refrigerator door is opened.

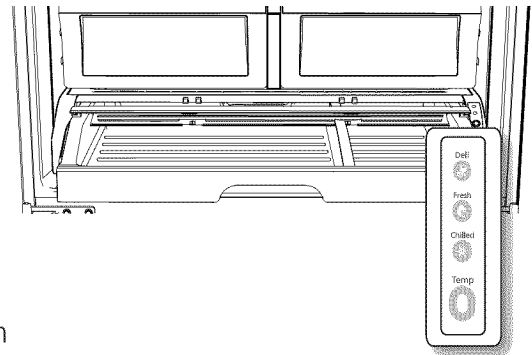
 If you plan to go away for a long time, empty the Refrigerator and turn it off. Wipe the excess moisture from the inside of the appliance and leave the doors open. This helps keep odor and mold from developing.

USING THE COOL SELECT PANTRY™ (RF267)

The Cool Select Pantry™ is a full-width drawer with adjustable temperature control. This pantry can be used for large party trays, deli items, pizza, beverages or miscellaneous items.

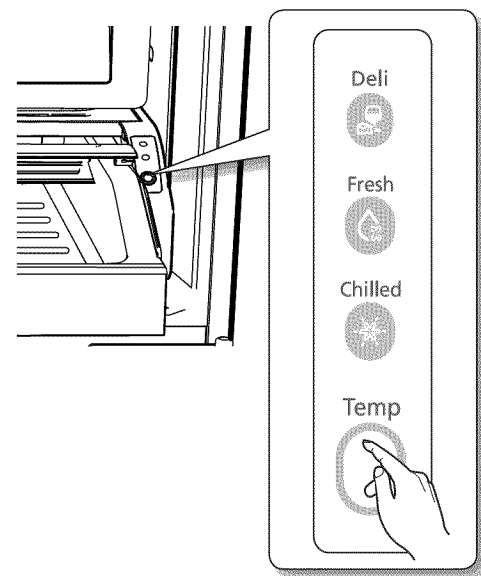
There is a temperature control which can adjust the amount of cold air allowed into the pantry.

The control is located on the right side of the pantry.





Selection Button

1. When "Deli" is selected, the temperature of the pantry can be kept around 41°F(5°C). This feature helps keep food fresh for a long time.
Pantry temperature can be maintained under recommended temperature setting(Freezer:-2°F, Fridge:38°F)
2. When "Fresh" is selected, the temperature of the pantry can be kept around 38°F(3°C). This feature helps keep food fresh for a longer time.
Pantry temperature can be maintained under recommended temperature setting (Freezer : -2°F, Fridge : 38°F)
3. When "Chilled" is selected, the temperature of the pantry can be kept around 34°F(1°C). This feature also helps keep meat or fish fresh for a longer time.
Pantry temperature can be maintained under recommended temperature setting (Freezer : -2°F, Fridge : 38°F)



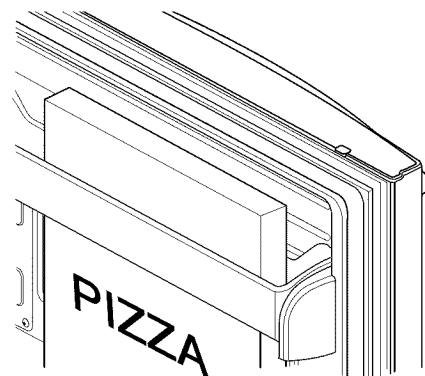
Deli	Fresh	Chilled
· pineapple	· cucumbers	· steaks
· lemon	· apples	· hard cheeses
· avocado	· oranges	· cold cuts
· potato	· grapes	· bacon
	· zucchinis	· hot dogs
	· corn	

 Fruits and vegetables may be damaged when the "chilled" mode is set. Do not store lettuce or other leafy produce in this pantry.

 **CAUTION** Do not store glass bottles in this pantry. If they are frozen, they can break and cause personal injury.

USING THE TILTING POCKET

The Tilting Pocket can be used to store up to a 16" pizza if you place it shown in the illustration.



Operating your SAMSUNG French Door Refrigerator


REMOVING THE REFRIGERATOR ACCESSORIES

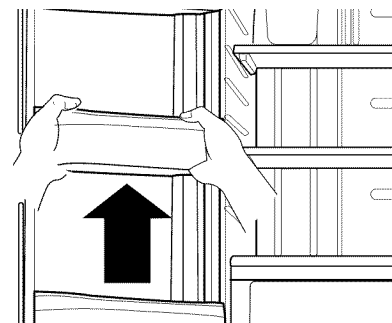
1. Door Bins & Dairy Compartment

To remove - Simply lift the bin up and pull straight out.

To relocate - Slide it in above the desired location and push down until it stops.

CAUTION  Injury may occur if the door bins are not firmly assembled. Do not allow children to play with bins. Sharp corners of the bins may cause injury.

 Do not adjust a bin full of foods.

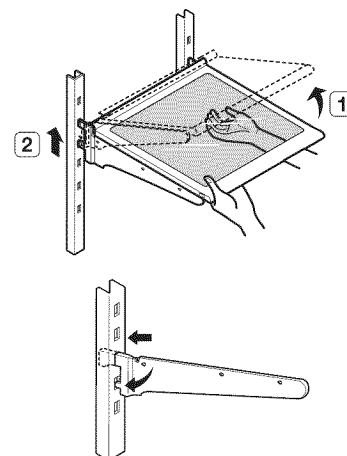


2. Tempered Glass Shelves

To remove - Tilt up the front of the shelf in the direction shown (1) and lift it up vertically (2). Pull the shelf out.

To relocate - Tilt the front of the shelf up and guide the shelf hooks into the slots at a desired height. Then lower the front of the shelf so that the hooks can drop into the slots.


CAUTION  The Tempered Glass shelves are heavy. Use special care when removing them.

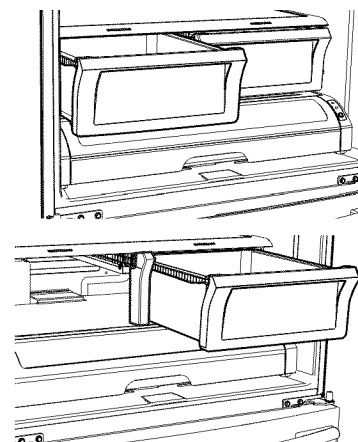


3. Vegetable & Fruit Drawers

To remove - Pull the drawer out to full extension. Tilt up the front of drawer and pull straight out.

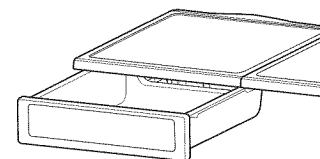
To relocate - Insert the drawer into the frame rails and push back into place.

CAUTION  The glass shelf over the drawer is not firmly secured. Be careful when lifting. Do not open the drawer while the pantry is open. It may cause scratch or breakage to it's cover.



4. Deli Drawer (RF26X)

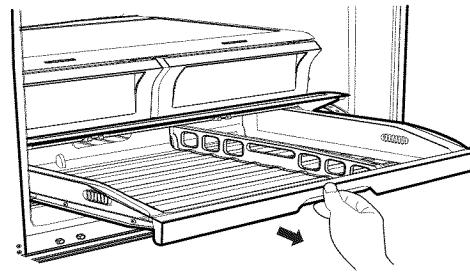
To remove - Pull the Deli Drawer out to the stop position. Lift the Deli Drawer up and past the stop.



5. Cool Select Pantry™ (RF267)

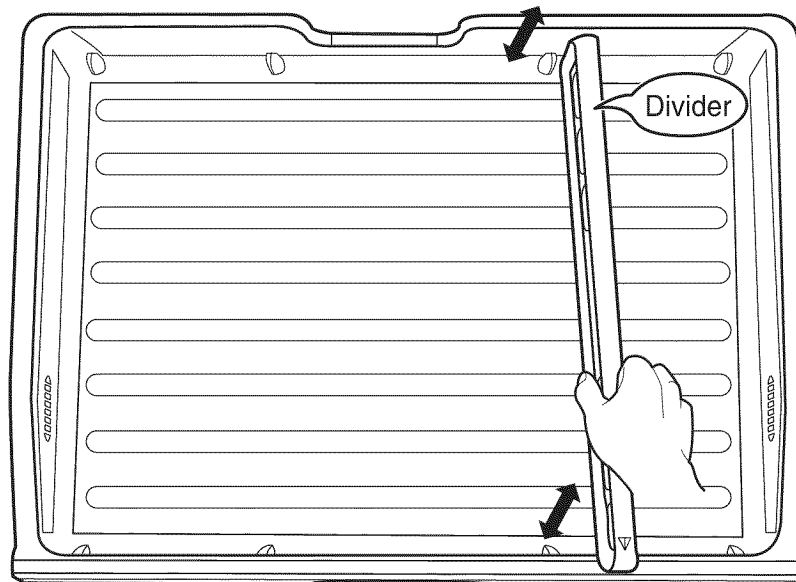
To remove the pantry - Pull the pantry out to full extension. Tilt up the front side of pantry and pull straight out.

To relocate the pantry - Push the rails to the back of the Refrigerator. Place the drawer onto the rails and slide the pantry back until it is in place.



To remove the divider - Pull the pantry completely out to full extension and raise the front side of the divider to unhook it from the rear wall of the pantry, then lift the divider out.

To relocate the divider - Hook the back of the divider over the rear wall of the pantry and push the divider down.



USING THE DOORS

The Refrigerator doors ensure that the doors close all the way and are securely sealed.

When the Refrigerator door is only partially open, it will automatically close. The door will stay open when opened more than around 3 Inches.

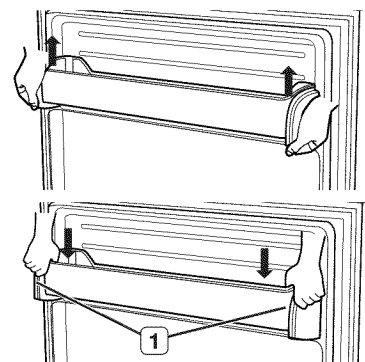
Operating your SAMSUNG French Door Refrigerator

REMOVING THE FREEZER ACCESSORIES

1. Tilting Pocket

To remove - Pull the brackets(1) upward until you hear a clicking sound and remove the pocket

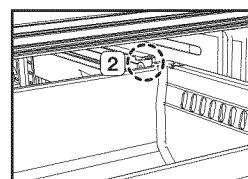
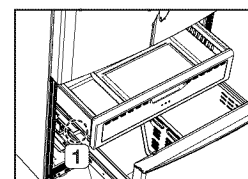
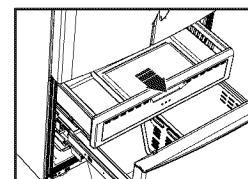
To replace - Hook the ends of the pocket into both brackets (1) and push down until it locks into place.



2. Auto Pull out Drawer

To remove - Pull the drawer out to full extension. Tilt up rear of drawer and lift straight out.

To relocate - Place the drawer onto the rails by tilting it up. Lower the drawer into place until it is horizontal and slide the drawer in.



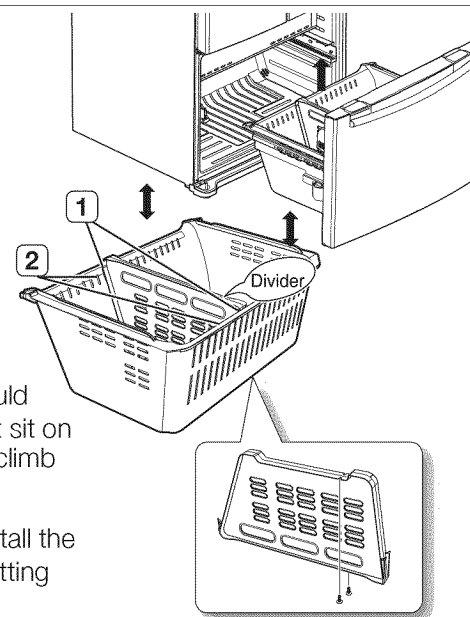
3. Freezer Drawer Bin

To remove the drawer - Pull the drawer out fully. Tilt up the rear of the bin and lift it out to remove.

To relocate the drawer - Place the bin into the rail assembly.

To remove the divider - Pull the divider straight up.

To relocate the divider - Hook the top corners of divider(1) over the hole of the bin(2).



Do not allow baby or children go inside the drawer bin. They could damage the Refrigerator and seriously injure themselves. Do not sit on the Freezer door. The door may break. Do not allow children to climb into the Freezer basket.



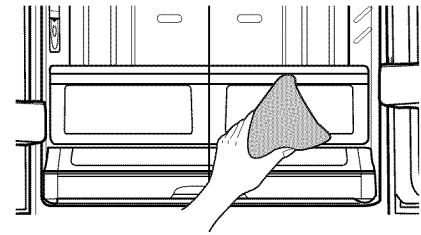
If you remove the divider to clean the basket bin, you must reinstall the divider using 2 screws after cleaning to prevent children from getting trapped inside the basket.

CLEANING THE REFRIGERATOR

Caring for your Samsung French Door Refrigerator prolongs the life of your appliance and helps keep it odor and germ-free.

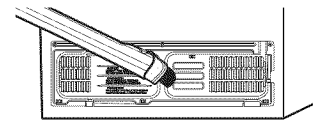
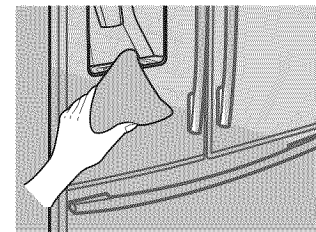
Cleaning the Interior

Clean the inside walls and accessories with a mild detergent and then wipe dry with a soft cloth. You can remove the drawers and shelves for a more thorough cleaning. Just make sure to dry drawers and shelves before putting them back into place.



Cleaning the Exterior

Wipe the digital panel and display panel with a clean, soft cloth. Spray water onto the cleaning cloth instead of spraying directly on the surface of the Refrigerator. It helps ensure an even distribution of moisture to the surface. The doors, handles and cabinet surfaces should be cleaned with a mild detergent and then wiped dry with a soft cloth. To keep your appliance looking its best, the exterior should be polished once or twice a year.

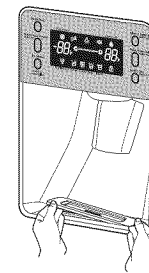


CAUTION Do not use Benzene, Thinner or Clorox for cleaning. They may damage the surface of the appliance and may cause fire.

CAUTION Printed letters on the display may be erased if the stainless cleaner is applied directly to the area where the letters are printed.

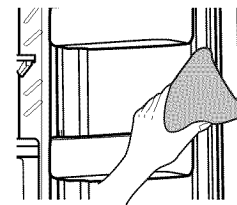
Cleaning the Ice/Water Dispenser

Push down one end of the tray dispenser and remove it. Wipe the Ice / Water Dispenser with a clean and soft cloth.



Cleaning the Rubber door seals

If the rubber door seals are dirty, the doors may not close properly, and the Refrigerator will not operate efficiently. Keep the door seals free of grit or grime by cleaning the doors with a mild detergent and damp cloth. Wipe dry with a clean, soft cloth.



CAUTION Do not spray the Refrigerator with water while it is plugged in, as it may cause an electric shock. Do not clean the Refrigerator with benzene, thinner or car detergent due to risk of fire.


Cleaning behind the Refrigerator


To keep cords and exposed parts free of dust and dirt accumulation, vacuum behind the appliance once or twice a year.

CAUTION Do not remove the back cover. Doing so may cause an electric shock.

Operating your SAMSUNG French Door Refrigerator

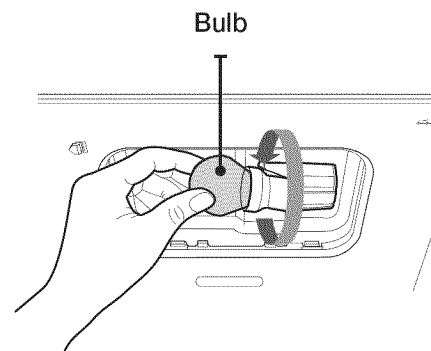
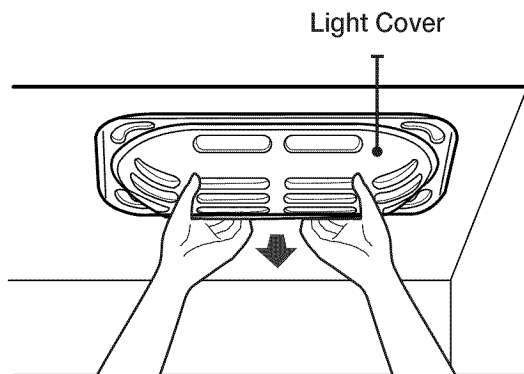
CHANGING THE INTERIOR LIGHTS

CAUTION  Before changing any of interior lights, unplug the refrigerator from the power supply. If you are unsure about changing the lights after reading through these directions, contact a Samsung authorized service center for help.

 The Replacement bulb for the freezer is available from your local home improvement or electronics store. Use replacement bulb size E26, maximum 60 watts. The refrigerator LED lamp must be changed by a Samsung authorized center.

Changing the Interior Light in the Freezer Drawer

1. Unplug the power cord from the wall outlet.
2. Remove the pull out drawer. Refer to 'Remove Auto Pull Out drawer' on page 31.
3. Pull the Light Cover to remove it.
4. Turn the bulb counterclockwise to remove it.
5. Assembly is the reverse order of disassembly.

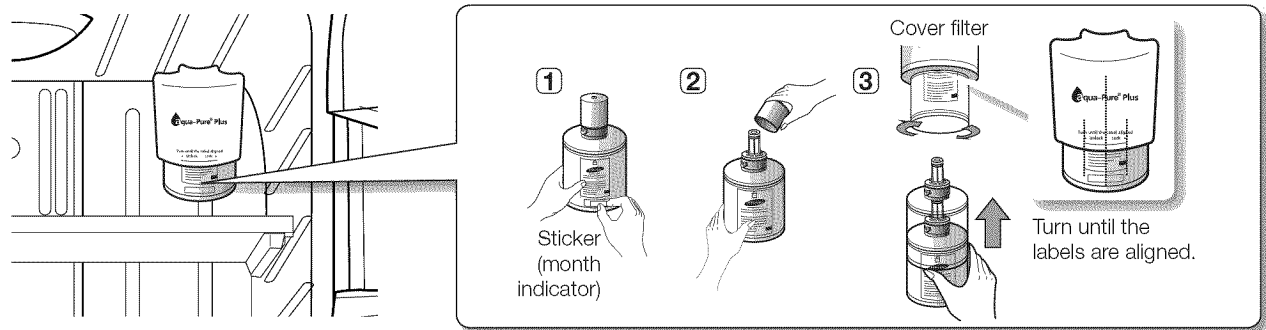


CAUTION  Do not place your fingers inside the cover. The lamp may be hot.

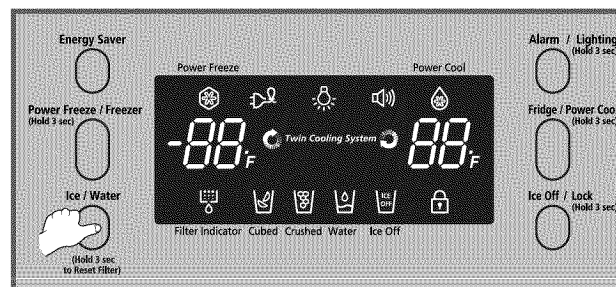
CHANGING THE WATER FILTER

The “Filter Indicator” light lets you know when it is time to change your water filter cartridge. To give you preparation time to get a new filter, the red light will come on just before the capacity of the current filter runs out. Changing the filter on time provides you with the freshest, cleanest water from your fridge.

1. Take a new water filter and put a month indicator sticker on the filter as shown.
The date on the sticker must be six months from the current date. For example, if you are replacing the water filter in March, put the “SEP” (September) sticker on the filter to remind you to replace in September. Normal filter life is about every 6 months.
2. Remove the new filter’s protective cap and remove the old filter.
3. Position and insert the new filter into the filter housing.
Slowly turn the water filter clockwise to align with the printing mark on the cover, locking the filter in position. Make sure to align the water filter label mark with the center of cover filter printing as illustrated. Remember, do not over-tighten.



4. Once you have completed this process, press and hold the Ice / Water button for 3 seconds to reset the filter schedule.



5. Lastly, run about six glassfuls of water through water dispenser to clean the water supply system. Make sure that water flows clearly again before drinking.

- Be sure to flush the dispenser thoroughly otherwise water may drip from the dispenser. This means that there is still air in the line.

Do NOT use the water or ice dispenser without a water filter cartridge because the water line may become blocked.

Ordering replacement Water Filter

For replacement waster filter you can visit your local service center or contact the Samsung Parts distributor. Be sure the replacement water filter has the SAMSUNG logo on the box and the water filter.

Link : <http://www.samsungparts.com>

Operating your SAMSUNG French Door Refrigerator

WATER FILTER CHART

Performance Data Sheet For Samsung Model DA97-06317A Using Replacement Cartridge DA29-00003G

This system has been tested according to NSF/ANSI Standards 42 and 53 for the reduction of the substances listed below. The concentration of the indicated substances in water entering the system was reduced to a concentration less than or equal to the permissible limit for water leaving the system, as specified in NSF/ANSI 42 and 53.



System tested and certified by NSF International against NSF/ANSI Standard 42 for the reduction of Chlorine Taste and Odor, Particulate Class I, and against NSF/ANSI Standard 53 for the reduction of Cysts, Turbidity, Lead, Asbestos, Benzene, Carbofuran, p-Dichlorobenzene and Mercury.

To a capacity of 300 gallons (1,136 liters).

Note that while the testing was performed under standard laboratory conditions, actual performance may vary.

Contaminant Reduction	Average Influent Concentration	NSF Specified Influent Challenge Concentration Units apply to each row	Average % Reduction	Average Product Water Concentration	Max. Permissible Product Water Concentration	NSF Reduction Requirements	NSF Test
Chlorine taste and odor	2.1 mg/L	2.0 mg/L ± 10%	97.6	0.05 mg/L	NA	> 50%	J-00029741
Particulate Class I Particle size : < 0.5 to < 1 um	10,566,666 pt/mL	At least 10,000 particles/mL	98.4	171,833 pts/mL	NA	> 85%	J-00029739
Cysts*	127,500 cysts/L	Minimum 50,000 cysts/L	99.99	<1 cyst/L	NA	> 99.95%	J-00031000
Turbidity	10.5	11±1 NTU	98.6	0.15 NTU	0.5 NTU	> 0.5 NTU	J-00033223
Lead @ pH 6.5	153 ug/L	0.15±10%	99.3	<1ug/L	0.010 mg/L	10 ug/L	J-00039590
Lead @ pH 8.5	155 ug/L	0.15±10%	>99.4	<1ug/L	0.010 mg/L	10 ug/L	J-00039591
Mercury @ pH 6.5	5.97 ug/L	0.006±10%	96.6	<0.2 ug/L	0.002 mg/L	2 ug/L	J-00039589
Mercury @ pH 8.5	6.29 ug/L	0.006±10%	88.9	0.7 ug/L	0.002 mg/L	2 ug/L	J-00039586
Asbestos	140 MFL	107 to 108 fibers > um in length	> 99	<0.17 MFL	NA	99%	J-00029743
Benzene	13.88 ug/L	0.015±10%	96.4	<0.5 ug/L	0.005 mg/L	< 5 ug/L	J-0029751
Carbofuran	79.6 ug/L	0.190 mg/L	98.7	1 ug/L	0.001 mg/L	< 40 ug/L	J-00029750
p-Dichlorobenzene	237.5 ug/L	0.225±10%	99.8	0.525 ug/L	0.075 mg/L	< 75 ug/L	J-00029749

* Based on the use of *Cryptosporidium parvum* oocysts

WATER FILTER CERTIFICATION

State of California
Department of Public Health
Water Treatment Device
Certificate Number

04 - 1660

Date Issued: July 7, 2004

Date Revised: June 2, 2008

<u>Trademark/Model Designation</u>	<u>Replacement Elements</u>
Samsung DA61-00159A-B	DA29-00003
Samsung DA97-06317A	DA29-00003G
Manufacturer: Cuno Incorporated	

The water treatment device(s) listed on this certificate have met the testing requirements pursuant to Section 116830 of the Health and Safety Code for the following health related contaminants:

Microbiological Contaminants and Turbidity

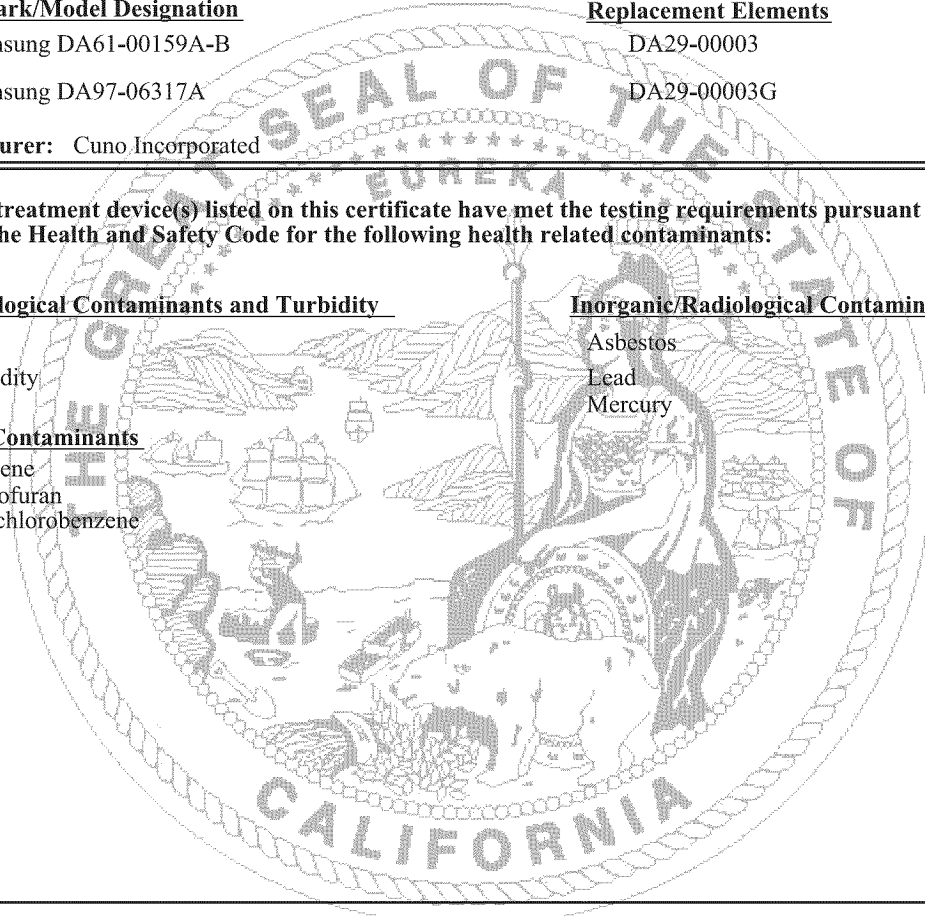
Cysts
Turbidity

Organic Contaminants

Benzene
Carbofuran
p-Dichlorobenzene

Inorganic/Radiological Contaminants

Asbestos
Lead
Mercury



Rated Service Capacity: 300 gal

Rated Service Flow: 0.5 gpm

Conditions of Certification:

Do not use where water is microbiologically unsafe or with water of unknown quality, except that systems certified for cyst reduction may be used on disinfected waters that may contain filterable cysts.

Operating your SAMSUNG French Door Refrigerator

FOOD STORAGE TIPS

Foods	Refrigerator	Freezer	Storage Tips
DAIRY PRODUCTS			
Butter	2-3 Weeks	6-9 Months	Wrap or cover tightly.
Milk	1-2 Weeks	Not recommended	Check date code. Most milk and similar products are sold in date-coded cartons that indicate a product's peak freshness. Re-seal with cap or wrap tightly. Do not return unused portions to original container.
Cream Cheese, cheese food, and cheese spread	2-4 Weeks	Not recommended	Check date code. Keep all cheese tightly packed in moisture proof wrap
Hard Cheese (un-opened)	3-4 Months	6 Months	
Hard Cheese (opened)	2 Months	Not recommended	
Cottage Cheese	10-15 Days	Not recommended	
Cream	7-10 Days	2 Months	Check date code. Most yogurt, creams, and similar products are sold in date-coded cartons that indicate a product's peak freshness. Re-seal or cover tightly. Do not return unused portions to original container.
Sour Cream	2 Weeks	Not recommended	
Cream Dips (opened)	1 Week	Not recommended	
Yogurt	10-14 Days	Not recommended	Check date code. Keep covered.
Frozen Yogurt	na	2 Months	
EGGS			
Eggs (uncooked)	3-4 Weeks	Not recommended	Check date code. Store eggs in coldest part of refrigerator and in their original container.
Eggs (cooked)	1 weeks	Not recommended	Store in covered container
Leftover egg dishes	3-4 Days	Not recommended	Store in covered container
FRESH FRUITS			
Apples	1 Month	Not recommended	If storing in refrigerator, do not wash fruit before storing. Store in moisture resistant bags or containers. Wrap cut fruits. Some fruits darken when refrigerated.
Bananas	2-4 Days	Not recommended	
Peaches, Melons, Pears, Avocados	3-5 Days	Not recommended	
Berries and Cherries	2-3 Days	12 Months	
Apricots	3-5 Days	Not recommended	
Grapes	2-5 Days	na	
Pineapple (un-cut)	2-3 Days	Not recommended	
Pineapple (cut)	5-7 Days	6-12 Months	
Citrus	1-2 Weeks	Not recommended	Store uncovered.
Juice	6 Days	Not recommended	Check date code and re-seal in original container. Do not return unused portions to original container.
Frozen Juice	Thawing only	12 Months	Check date code. Do not re-freeze.

Foods	Refrigerator	Freezer	Storage Tips
FISH AND SHELLFISH			
Fish			
Fatty Fish (mackerel, trout, salmon)	1-2 Days	2-3 Months	Keep in original wrapper and store in coldest part of refrigerator. Package in vapor-proof and moisture proof wrap for freezer. Freeze at 0°F. Thaw in refrigerator or Check date code. Freeze in original packaging.
Lean Fish (cod, flounder, etc)	1-2 Days	6 Months	
Frozen or Breaded	na	3 Months	
Shellfish			
Shrimp (uncooked)	1-2 Days	12 Months	To freeze package in vapor-proof and moisture-proof container.
Crab	3-5 Days	10 Months	
Cooked Fish or Shellfish	2-3 Days	3 Months	
MEAT			
Fresh, Uncooked			
Chops	2-4 Days	6-12 Months	Check date code for use. Store in coldest part of refrigerator in original packaging. Add more packaging in moisture-proof and vapor-proof container for freezing. Recommended refrigerator temperature 33°F to 36°F and freezer temperature 0°F to 2°F
Ground	1 Day	3-4 Months	
Roast	2-4 Days	6-12 Months	
Bacon	1-2 Weeks	1-2 Months	
Sausage	1-2 Days	1-2 Months	
Steak	2-4 Days	6-9 Months	
Poultry	1 Day	12 Months	
Lunch meat	3-5 Days	1 Month	
Cooked			
Meat	2-3 Days	2-3 Months	Check date code for use. Store in coldest part of refrigerator in original packaging. Package in moisture-proof and vapor-proof container for freezing.
Poultry	2-3 Days	4-5 Months	
Ham	1-2 weeks	1-2 Months	

Sources:

American Meat Institute Foundation. 1994. Yellow pages: answers to predictable questions consumers ask about meat and poultry.
 American Meat Institute Food Marketing Institute. 1999. The food keeper. Food Marketing Institute, Washington, D.C. Freeland-Graves, J.H. and G.C. Peckham. 1996. Foundations of food preparation, 6th ed. Prentice-Hall, Inc. Englewood Cliffs, NJ. Hillers, V.N. 1993. Storing foods at home. Washington State University Cooperative Extension, Pullman, WA. Publ. EB 1205.
 National Restaurant Association. 2001. Be cool-chill out! Refrigerate promptly. National Restaurant Association Education Foundation
 International Food Safety Council, Washington, D.C. USDA. 1997. Basics for handling food safety. U.S. Department of Agriculture, Food Safety and Inspection Service, Washington, D.C.



Troubleshooting

PROBLEM	SOLUTION
The Refrigerator does not work at all or it does not chill sufficiently.	<ul style="list-style-type: none"> • Check that the power plug is properly connected. • Is the temperature control on the display panel set to the correct temperature? Try setting it to a lower temperature. • Is the Refrigerator in direct sunlight or located near a heat source? • Is the back of the Refrigerator too close to the wall and therefore keeping air from circulation?
The food in the Refrigerator is frozen.	<ul style="list-style-type: none"> • Is the temperature control on the display set to the correct temperature? Try setting it to a warmer temperature. • Is the temperature in the room too low? • Did you store the food with high water content in the coldest part of the Refrigerator? Try moving those items into the body of the Refrigerator instead of keeping them in the Cool Select Pantry™.
You hear unusual noise or sounds.	<ul style="list-style-type: none"> • Check that the Refrigerator is level and stable. • Is the back of the Refrigerator too close to the wall and therefore keeping air from circulating? • Was anything dropped behind or under the Refrigerator? • A “ticking” sound is heard from inside the Refrigerator. It is normal and occurs because various accessories are contracting or expanding according to the temperature of the Refrigerator interior.
The front corners and vertical hinged section of the appliance are hot and condensation is occurring.	<ul style="list-style-type: none"> • Some heat is normal as anti-condensators are installed in the vertical hinged section of the Refrigerator to prevent condensation. • Is the Refrigerator door ajar? Condensation can occur when you leave the door open for a long time.
Ice Maker is not producing ice.	<ul style="list-style-type: none"> • Did you wait for 12 hours after installation of the water supply line before making ice? • Is the water line connected and the shut-off valve opened? • Did you manually stop the ice making function? • Is the Freezer temperature too warm? Try setting the Freezer temperature lower.
You can hear water bubbling in the Refrigerator.	<ul style="list-style-type: none"> • This is normal. The bubbling comes from the Refrigerator coolant liquid circulating through the Refrigerator.
There is a bad smell in the Refrigerator.	<ul style="list-style-type: none"> • Check for spoiled food. • Foods with strong odors(for example, fish) should be tightly covered. • Clean out your Freezer periodically and throw away any spoiled or suspicious food.
Frost forms on the walls of the Freezer.	<ul style="list-style-type: none"> • Is the air vent blocked? Remove any obstructions so air can circulate freely. • Allow sufficient space between the foods stored for efficient air circulation. • Is the Freezer drawer closed properly?
Water dispenser is not functioning.	<ul style="list-style-type: none"> • Is the water line connected and the shut-off valve opened? • Has the water supply line tubing been crushed or kinked? Make sure the tubing is free and clear of any obstruction. • Is the water tank frozen because the Refrigerator temperature is too low? Try selecting a warmer setting on the main display panel.

Warranty

SAMSUNG REFRIGERATOR (26 CUBIC FEET AND LARGER CAPACITY)

LIMITED WARRANTY TO ORIGINAL PURCHASER

This Samsung brand product, as supplied and distributed by Samsung Electronics America, Inc. (Samsung) and delivered new, in the original carton to the original consumer purchaser, is warranted by Samsung against manufacturing defects in materials and workmanship for a limited warranty period of:

One (1) Year Parts and Labor on Refrigerator

Five (5) Years Parts and Labor on Sealed Refrigeration System Only*

(*Compressor, evaporator, condenser, drier, connecting tubing)

This limited warranty begins on the original date of purchase, and is valid only on products purchased and used in the United States. To receive warranty service, the purchaser must contact Samsung for problem determination and service procedures. Warranty service can only be performed by a Samsung authorized service center. The original dated bill of sale must be presented upon request as proof of purchase to Samsung or Samsung authorized service center.

Samsung will repair or replace any part found to be defective, at our option and at no charge as stipulated herein, with new or reconditioned parts during the limited warranty period specified above. All replaced parts and products become the property of Samsung and must be returned to Samsung. Replacement parts and products assume the remaining original warranty, or ninety (90) days, whichever is longer.

In-home service will be provided during the warranty labor period subject to availability within the contiguous United States. In-home service is not available in all areas. To receive in-home service, the product must be unobstructed and accessible from floor level to service personnel. If during in-home service repair cannot be completed, it may be necessary to remove, repair and return the product. If in-home service is unavailable, Samsung may elect, at our option, to provide for transportation of our choice to and from a Samsung authorized service center. Otherwise, transportation to and from the Samsung authorized service center is the responsibility of the purchaser.

This limited warranty covers manufacturing defects in materials and workmanship encountered in normal, noncommercial use of this product, and shall not apply to the following, including, but not limited to: damage which occurs in shipment; delivery and installation; applications and uses for which this product was not intended; altered product or serial numbers; cosmetic damage or exterior finish; accidents, abuse, neglect, fire, water, lightning or other acts of nature; use of products, equipment, systems, utilities, services, parts, supplies, accessories, applications, installations, repairs, external plumbing and leaks, external wiring, circuit breakers, fuses or connectors not supplied and authorized by Samsung, or which damage this product or result in service problems; incorrect electrical line voltage, fluctuations and surges; customer adjustments and failure to follow operating instructions, cleaning, maintenance and environmental instructions that are covered and prescribed in the instruction book; loss of food due to spoilage; consumable items including filters and light bulbs.

THERE ARE NO EXPRESS WARRANTIES OTHER THAN THOSE LISTED AND DESCRIBED ABOVE, AND NO WARRANTIES WHETHER EXPRESS OR IMPLIED, INCLUDING, BUT NOT LIMITED TO, ANY IMPLIED WARRANTIES OF MERCHANTABILITY OR FITNESS FOR A PARTICULAR PURPOSE, SHALL APPLY AFTER THE EXPRESS WARRANTY PERIODS STATED ABOVE, AND NO OTHER EXPRESS WARRANTY OR GUARANTY GIVEN BY ANY PERSON, FIRM OR CORPORATION WITH RESPECT TO THIS PRODUCT SHALL BE BINDING ON SAMSUNG. SAMSUNG SHALL NOT BE LIABLE FOR LOSS OF REVENUE OR PROFITS, FAILURE TO REALIZE SAVINGS OR OTHER BENEFITS, OR ANY OTHER SPECIAL, INCIDENTAL OR CONSEQUENTIAL DAMAGES CAUSED BY THE USE, MISUSE OR INABILITY TO USE THIS PRODUCT, REGARDLESS OF THE LEGAL THEORY ON WHICH THE CLAIM IS BASED, AND EVEN IF SAMSUNG HAS BEEN ADVISED OF THE POSSIBILITY OF SUCH DAMAGES. NOR SHALL RECOVERY OF ANY KIND AGAINST SAMSUNG BE GREATER IN AMOUNT THAN THE PURCHASE PRICE OF THE PRODUCT SOLD BY SAMSUNG AND CAUSING THE ALLEGED DAMAGE. WITHOUT LIMITING THE FOREGOING, PURCHASER ASSUMES ALL RISK AND LIABILITY FOR LOSS, DAMAGE OR INJURY TO PURCHASER AND PURCHASER'S PROPERTY AND TO OTHERS AND THEIR PROPERTY ARISING OUT OF THE USE, MISUSE OR INABILITY TO USE THIS PRODUCT SOLD BY SAMSUNG NOT CAUSED DIRECTLY BY THE NEGLIGENCE OF SAMSUNG. THIS LIMITED WARRANTY SHALL NOT EXTEND TO ANYONE OTHER THAN THE ORIGINAL PURCHASER OF THIS PRODUCT, IS NONTRANSFERABLE AND STATES YOUR EXCLUSIVE REMEDY.

Some states do not allow limitations on how long an implied warranty lasts, or the exclusion or limitation of incidental or consequential damages, so the above limitations or exclusions may not apply to you. This warranty gives you specific legal rights, and you may also have other rights, which vary from state to state.

To obtain warranty service, please contact Samsung at:

SAMSUNG CUSTOMER CARE CENTER

Samsung Electronics America, Inc. 400 Valley Road Suite 201 Mt. Arlington, NJ 07956

1-800-SAMSUNG (1-800-726-7864) and www.samsung.com

MEMO



Refrigerador

Manual de usuario

las posibilidades

Gracias por adquirir un producto Samsung.
Para recibir un servicio más completo,
registre su producto en
www.samsung.com/register



Características de su nuevo refrigerador

CARACTERÍSTICAS PRINCIPALES DE SU NUEVO REFRIGERADOR

Su refrigerador Samsung de tres puertas está equipado con Múltiples características innovadoras de almacenamiento y eficiencia energética.

- **Sistema de doble enfriamiento**
El refrigerador y la nevera disponen de evaporadores independientes. Gracias a este sistema de enfriamiento, la nevera y el refrigerador refrigeran de forma más eficiente. Además, este sistema de flujo de aire independiente evita que los olores de los alimentos situados en uno de los compartimentos penetren en el resto.
- **Cool Select Pantry™ (RF267)**
El Cool Select Pantry™ es una gaveta de ancho completo que dispone de control de temperatura ajustable.
- **Espacio más grande y ancho**
Las zonas de parilla ancha y despensa proporcionan suficiente espacio para artículos más grandes, como cajas de pizza, etc.
La charola desplazable de la nevera proporciona espacio suficiente para 2 o 3 pavos.
- **Cierre automático de seguridad**
El cierre automático de seguridad cerrará de forma automática una puerta entreabierta.
- **Máquina de hielo compacta**
La máquina de hielo puede dispensar cubitos o hielo picado.
- **Pantalla de visualización y control de temperatura digital**
- **Sistema de filtrado de agua**
- **Alarma de puerta**
Una alarma avisará cuando la puerta quede entreabierta.
- **Compartimento inclinable**
El compartimento inclinable puede usarse para almacenar una pizza de 40,6 cm (16").
- **Auto sacar del cajón**
cajón de la parte superior en FRECEL sale automáticamente por abrir la puerta de FRECEL
- **Gaveta de extracción automática**
La gaveta superior de la nevera se despliega y sale automáticamente al abrir la puerta del compartimento.
- **Tirador simple**
La puerta de la nevera puede abrirse con menos esfuerzo.
- **Energy Star**
La etiqueta Energy star de este producto puede hacer que ahorre en su factura de electricidad.



Para facilitar futuras consultas, escriba el modelo y el número de serie a continuación, que podrá encontrar en el lateral izquierdo del refrigerador.

Nº de modelo _____

Nº de serie _____











Información de seguridad

INFORMACIÓN DE SEGURIDAD

Antes de usar su nuevo refrigerador Samsung de tres puertas, lea este manual para asegurarse de que sabe cómo usar de forma segura y eficaz, las características y funciones que ofrece su nuevo electrodoméstico.

Como las siguientes instrucciones de funcionamiento están destinadas a varios modelos, las características de su refrigerador pueden diferir ligeramente de las descritas en este manual. Si tiene cualquier pregunta, póngase en contacto con nosotros en el 1-800-SAMSUNG o busque ayuda e información online en www.samsung.com.

Significado de los iconos y señales usadas en este manual de usuario:

 ADVERTENCIA	Prácticas peligrosas o inseguras que pueden ocasionar lesiones físicas graves o peligro de muerte.
 PRECAUCIÓN	Prácticas peligrosas o inseguras que pueden ocasionar lesiones físicas leves o daños materiales.
 PRECAUCIÓN	Para reducir el riesgo de incendio, explosión, choque eléctrico o lesiones físicas, cumpla estas precauciones básicas de seguridad al usar su refrigerador:
	NO intentar.
	NO desmontar.
	NO tocar.
	Cumplir expresamente las instrucciones.
	Desenchufar el cable de alimentación de la toma de pared.
	Asegurarse de que la máquina está conectada a tierra para evitar choques eléctricos.
	Ponerse en contacto con el servicio técnico para obtener ayuda.

Estas señales de advertencia existen para prevenir lesiones personales o a terceros.

Cúmplalas explícitamente

Guarde este manual en lugar seguro para futuras consultas.

SEÑALES DE ADVERTENCIA GRAVE

 **No enchufe varios electrodomésticos en la misma toma de pared.**

- Los grandes electrodomésticos consumen mucha energía. Suministrar energía a más de un electrodoméstico o máquina a través de una única toma de energía podría ocasionar recalentamiento y provocar un incendio.

Asegúrese de que el tomacorriente no quede doblado o dañado por la parte posterior del refrigerador.

- Un cable de alimentación dañado puede recalentarse y provocar un incendio.

No vaporice agua directamente en el interior o exterior de la gaveta del refrigerador/ nevera.

- El agua podría entrar en el interior de las piezas de la máquina, ocasionando choques eléctricos.

Información de seguridad

No use aerosoles cerca del refrigerador.

- El uso de aerosoles en las proximidades del refrigerador puede provocar una explosión o un incendio.

No someta a esfuerzos indebidos el cable de alimentación ni coloque artículos pesados sobre él.

- Colocar artículos pesados sobre el cable de alimentación genera un riesgo de explosión e incendio.

No enchufe el cable de alimentación con las manos húmedas.

- Podría ser causa de choque eléctrico.

No introduzca un recipiente lleno de agua en el refrigerador.

- Si se derramase, podrían ocasionarse incendios o choques eléctricos.

No instale el refrigerador en lugares húmedos o cerca de la presencia de agua.

- La humedad o un aislamiento deteriorado de las partes eléctricas internas, puede ocasionar choques eléctricos o incendios.

No almacene sustancias volátiles ni inflamables en el refrigerador.

- El almacenaje de benceno, disolvente, alcohol, éter, gas licuado y otros productos similares puede provocar explosiones.

No desmonte o repare el refrigerador usted mismo.

- Corre el riesgo de provocar un incendio, averías en el electrodoméstico o lesiones físicas. Póngase en contacto con su centro de asistencia más cercano para obtener ayuda de un técnico de servicio calificado.

Desenchufe el refrigerador antes de reemplazar el foco interior.

- Reemplazar el foco mientras el refrigerador está enchufado puede ocasionar un choque eléctrico.

Si desea desechar el refrigerador, retire las puertas y los sellos antes de tirarlo.

- Las puertas (y sus sellos) pueden atrapar a un niño que se introduzca en el refrigerador. Asegúrese de que las puertas estén anuladas y de que nadie ha quedado atrapado dentro.

El refrigerador debe ser conectado a tierra por seguridad.

- Asegúrese siempre de haber conectado a tierra el refrigerador antes de intentar examinar o reparar cualquier pieza del electrodoméstico. Las fugas de corriente pueden ocasionar choques eléctricos graves.

No use nunca conductos de gas, líneas de teléfono u otros captadores potenciales de rayos como puesta a tierra.

- Un uso incorrecto del conector de puesta a tierra puede ocasionar riesgo de choque eléctrico. Si fuese necesario usar una alargadera para el suministro eléctrico del refrigerador, use únicamente una extensión de 3 cables que disponga de un conector de 3 clavijas con toma de tierra y una toma eléctrica de 3 ranuras que acepte el conector del electrodoméstico. El régimen indicado de la extensión debe ser de 115 V~120 V de CA, 10 A o superior. Adicionalmente, si se usa un adaptador de puesta a tierra, asegúrese de que la caja de la toma eléctrica también disponga de conexión completa a tierra.

SEÑALES DE PRECAUCIÓN



Use el sentido común al llenar el refrigerador de alimentos y bebidas.

- En un refrigerador lleno en exceso, los artículos pesados, frágiles, voluminosos o delicados podrían caer ocasionando lesiones físicas o daños a los objetos adyacentes.

No introduzca botellas o envases de cristal en la gaveta de la nevera.

- Al congelarse el contenido y expandirse, el cristal podría romperse, provocando lesiones físicas o llenando la nevera de peligrosos fragmentos rotos de cristal.

Si la toma de pared estuviera suelta, no conecte el cable de alimentación.

- Existe riesgo de choque eléctrico o incendio. Solicite que un electricista autorizado revise el tomacorriente.



No desenchufe su refrigerador tirando del cable de alimentación.

- Sujete siempre el tomacorriente firmemente y tire de él para extraerlo de la pared. Forzar o tirar del cable de alimentación puede ocasionar un cortocircuito, incendio o choque eléctrico.
- Un cable de alimentación dañado, debe ser reemplazado por el fabricante, un técnico de servicio certificado o por personal de servicio calificado.

No almacene artículos sobre la parte superior del electrodoméstico.

- Al abrir o cerrar la puerta, dichos artículos pueden caer, ocasionando lesiones físicas o dañando los objetos adyacentes.

No almacene en el refrigerador productos farmacéuticos, material científico o productos sensibles a la temperatura.

- Los productos que precisan controles de temperatura estrictos no deben almacenarse en el refrigerador.



PRECAUCIÓN

No permita a los niños subir, sentarse o colgarse de las parilla o jaladeras del refrigerador. Estas acciones podrían dañar el refrigerador y herir gravemente a los niños. No se apoye en la puerta de la nevera. La puerta podría romperse. No permita que los niños se suban dentro de la gaveta de la nevera.



Si percibe olor a químicos o a plástico quemado o ve humo, desenchufe inmediatamente el refrigerador y póngase en contacto con su centro de asistencia Samsung Electronics.



Una vez que su refrigerador esté en funcionamiento, no toque las superficies frías del compartimento de la nevera. La piel podría adherirse a estas superficies muy frías especialmente con las manos húmedas o mojadas.

- La piel podría adherirse a la superficie y congelársele.

No introduzca las manos bajo el electrodoméstico.


- Los bordes afilados podrían ocasionar lesiones físicas.

No introduzca nunca los dedos u otros objetos en la abertura del dispensador de agua


Información de seguridad

ni en el conducto de hielo.

- Hacerlo puede ocasionar lesiones físicas o daños materiales.

 **Si el refrigerador no va a ser usado durante un período de tiempo prolongado (por ejemplo, durante varios meses), desenchufe el cable de alimentación de la toma de pared.**

- Con el tiempo, el deterioro del aislamiento del cable de alimentación puede ocasionar un incendio.

 **No use paños mojados o húmedos para limpiar el tomacorriente. Elimine cualquier resto de polvo o materiales extraños de las clavijas del tomacorriente.**

- Un tomacorriente sucio puede incrementar el riesgo de incendio.

Si desconectase el refrigerador del suministro eléctrico, deberá esperar al menos cinco minutos para volver a enchufarlo.

 **No sitúe el equipo en lugares expuestos a la luz directa del sol.**

El electrodoméstico debe colocarse de forma que permita un acceso fácil a la fuente de alimentación.

Si el cable de alimentación estuviera dañado, debe ser reemplazado por el fabricante, un técnico de servicio certificado o por personal de servicio calificado.

Si planea unas largas vacaciones, vacíe el refrigerador y desconéctelo.

- Limpie el exceso de humedad del interior y deje las puertas abiertas para impedir la proliferación de olores y moho.

 **Garantía de servicio y modificación**

- Cualquier cambio o modificación realizada por terceros sobre este electrodoméstico acabado, no está cubierta por el servicio de garantía de Samsung ni serán responsabilidad de Samsung las cuestiones relativas a la seguridad resultantes de dichas modificaciones realizadas por terceros.



PRECAUCIÓN

Los niños pueden quedar atrapados en el interior de los refrigeradores.

Antes de desechar su viejo refrigerador o nevera, asegúrese de los siguiente:

- Desmunte las puertas.
- Deje todas las parilla colocadas en su lugar para que los niños no puedan acceder al interior y cerrar la puerta mientras permanecen dentro.



Este electrodoméstico no ha sido diseñado para el uso de niños pequeños o personas discapacitadas sin supervisión adulta. Los niños pequeños deben estar supervisados al usar el electrodoméstico.

Índice

INSTALACIÓN DE SU REFRIGERADOR DE TRES PUERTAS

08

- 08 Preparativos para instalar el refrigerador
- 09 Desmontaje de las puertas del refrigerador
- 11 Desmontaje de la gaveta de la nevera
- 12 Montaje de las puertas de la nevera
- 14 Montaje de la gaveta de la nevera
- 15 Ajuste de las puertas
- 15 Ajuste del soporte para la parrilla ajustable
- 16 Realización de ajustes menores entre puertas
- 17 Ajuste del nivel de la gaveta de la nevera
- 18 Chequeo de la toma del dispensador de agua
- 19 Instalación de la toma del dispensador de agua

FUNCIONAMIENTO DEL REFRIGERADOR SAMSUNG DE TRES PUERTAS

21

- 21 Uso del panel de control
- 22 Uso de la pantalla de visualización digital
- 23 Control de temperatura
- 24 Uso del dispensador de hielo y agua fría.
- 26 Partes y funciones(RF267)
- 27 Partes y funciones(RF26X)
- 28 Almacenaje de alimentos
- 29 Uso del Cool select pantry™
- 29 Uso del compartimento inclinable
- 30 Desmontaje de los accesorios del refrigerador
- 31 Uso de puertas
- 32 Desmontaje de los accesorios de la nevera
- 33 Limpieza del refrigerador
- 34 Reemplazo del foco interior
- 35 Reemplazo del filtro de agua
- 40 Solución de problemas

SOLUCIÓN DE PROBLEMAS

40

DIAGRAMA DE CONEXIÓN

41

- 41 Diagrama de conexión

GARANTÍA

42

- 42 Garantía

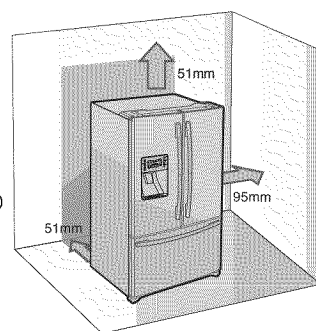
Instalación de su refrigerador de tres puertas

PREPARATIVOS PARA INSTALAR EL REFRIGERADOR

Felicidades por la adquisición de su refrigerador Samsung de tres puertas. Esperamos que disfrute de las características y rendimiento de alta tecnología que este nuevo electrodoméstico tiene que ofrecer.

Selección del mejor emplazamiento para el refrigerador

- Un emplazamiento de fácil acceso para el suministro de agua.
- Un emplazamiento sin exposición directa a la luz solar.
- Un emplazamiento que tenga el piso nivelado (o casi nivelado).
- Un emplazamiento con suficiente espacio para que las puertas del refrigerador puedan abrirse con facilidad.
- Deje suficiente espacio para la circulación del aire del sistema de enfriamiento interno. Si el refrigerador no dispone de suficiente espacio, el sistema de refrigeración interna puede no funcionar correctamente.

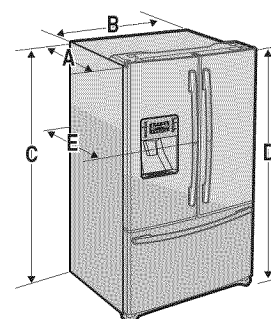


Si su refrigerador dispone de una máquina de hielo, deje más espacio libre en la parte posterior para las conexiones de la toma de agua. Al instalar su refrigerador junto a una pared fija, debe dejarse un espacio libre mínimo de 3 3/4" (95 mm) entre el refrigerador y la pared, para permitir la apertura de la puerta.

Antes que nada: asegúrese de poder mover fácilmente su refrigerador hasta su posición final, midiendo puertas de entrada (ancho y alto), umbrales, techos, escaleras, etc.

El siguiente cuadro especifica la altura y ancho exactos del refrigerador Samsung de tres puertas.

MODELO	Profundidad "A"	Ancho "B"	Altura "C"	Altura total "D"	Profundidad "E"
RF267 RF26X	29- 1/8" (83.6cm)	35-3/4" (90.8cm)	68-5/8" (174.4cm)	69-3/4" (177.4cm)	35-5/8" (90.5cm)

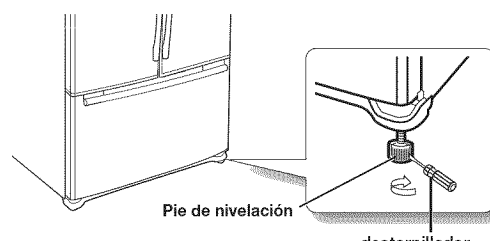


- ☑ Mantenga despejado el lado derecho, izquierdo, posterior y superior durante la instalación. Esto ayudará a reducir el consumo de energía y mantener una factura eléctrica más baja.
- **No instale el refrigerador en un emplazamiento donde la temperatura pueda ser inferior a 10° C (50° F).**

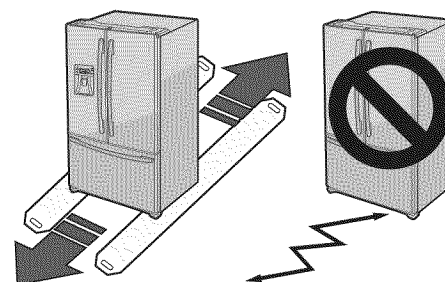
Al desplazar el refrigerador

Para evitar daños en el piso, asegúrese de que los pies de nivelación frontales están en su posición más elevada (por encima del piso). Examine la sección "Nivelación del refrigerador" del manual.

Para proteger el acabado del piso, coloque una lámina de protección, como cartón de embalaje, bajo el refrigerador.



- PRECAUCIÓN** Al proceder a labores de instalación, servicio o limpieza en la parte trasera del refrigerador, asegúrese de tirar de la unidad en línea recta hacia fuera y empujarla hacia atrás igualmente en línea recta, al finalizar.

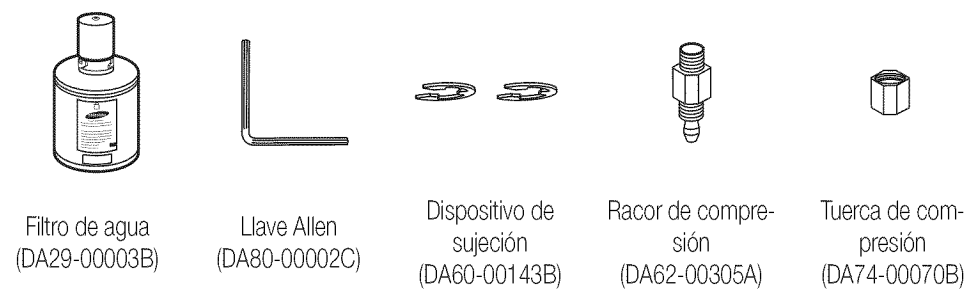


AJUSTE DEL REFRIGERADOR

Ahora que tiene su nuevo refrigerador instalado y en su sitio, está preparado para ajustarlo y disfrutar de todas las características y funciones de las que dispone el electrodoméstico. Completando los siguientes pasos, su refrigerador deberá estar totalmente operativo.

1. Coloque el refrigerador en una situación apropiada, con una distancia libre razonable entre la pared y el electrodoméstico. Examine las instrucciones de instalación de este manual.
2. Una vez enchufado el refrigerador, asegúrese de que el foco interior se ilumina al abrir las puertas.
3. Ajuste el control en la temperatura más fría y espere una hora. La nevera deberá enfriarse ligeramente y el motor funcionar suavemente.
4. Tras poner en funcionamiento el refrigerador, harán falta varias horas para alcanzar la temperatura asignada. Puede introducir alimentos y bebidas en el refrigerador una vez la temperatura sea suficientemente fría.

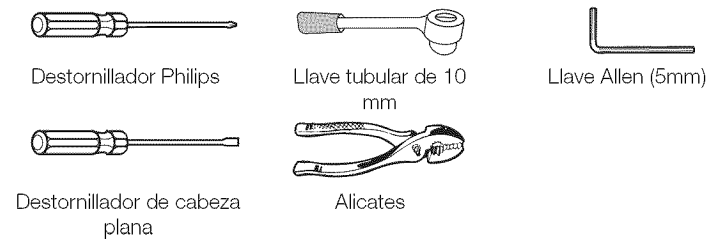
 Chequee la siguiente lista de accesorios.



DESMONTAJE DE LAS PUERTAS DEL REFRIGERADOR

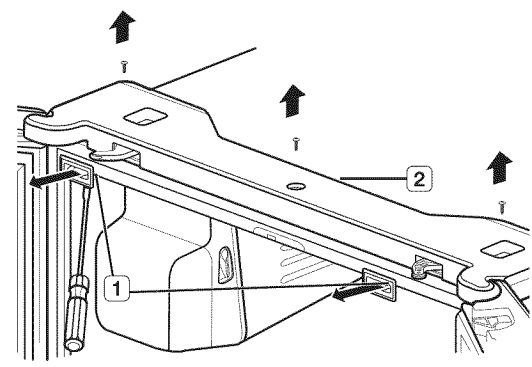
Si el refrigerador es demasiado grande para que pase fácilmente por la entrada, puede desmontar las puertas del refrigerador.

Herramientas necesarias



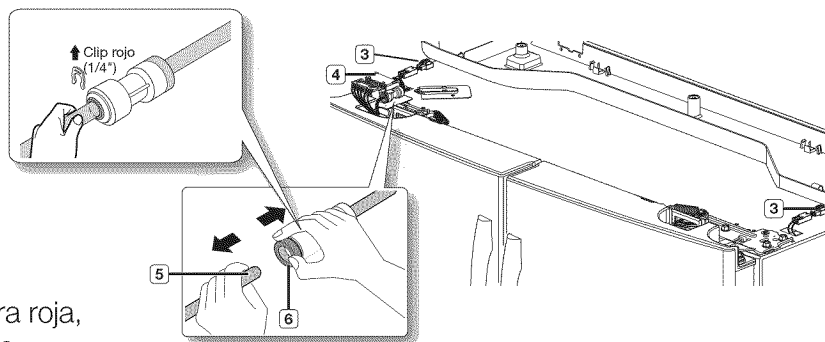
Desmontaje de las puertas del refrigerador

1. Con la puerta abierta, retire la tapa superior del cuadro (1) mediante el destornillador de cabeza plana y cierre la puerta. Extraiga los 3 pernos sujetando la parte superior del cuadro y retírela (2).



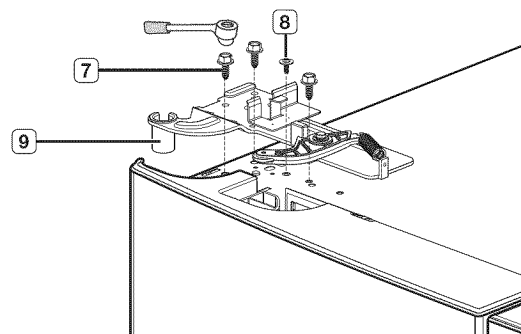
Instalación de su refrigerador de tres puertas

2. Desconecte los dos conectores (3) situados a cada lado de la tapa superior y el conector (4) situado sobre la puerta del lado izquierdo. Retire el tubo (5) apretando la parte de color gris oscuro (6) del acoplador de la línea de agua.

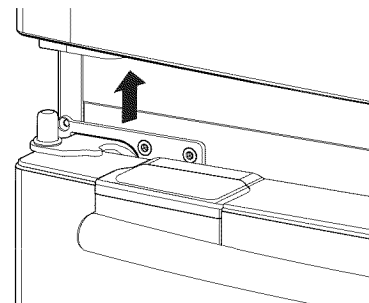


PRECAUCIÓN Si el acoplador incluye una abrazadera roja, deberá retirarla antes de retirar el tubo.

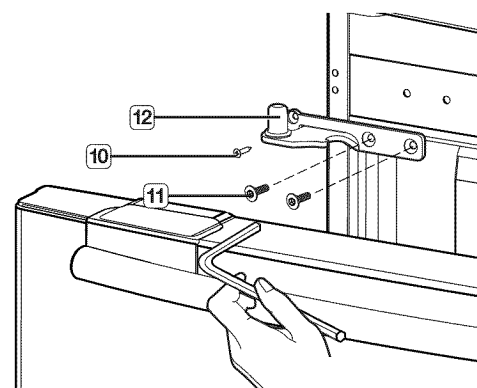
3. Extraiga los 3 pernos hexagonales (7) que se encuentran fijados a las bisagras superiores de la puerta izquierda y derecha con una llave Allen (10 mm). Con un destornillador de cabeza Philips, extraiga el perno de puesta a tierra (8) que se encuentra fijado a las bisagras superiores de la puerta izquierda y derecha. Retire las bisagras superiores de la puerta izquierda y derecha (9).



4. Levante la puerta hacia arriba para extraerla.

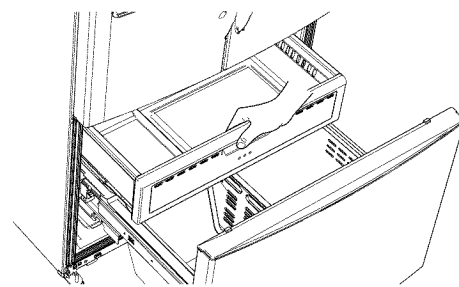


5. Con un destornillador de cabeza Philips, extraiga los 2 pernos (10) fijados a las bisagras inferiores de la puerta izquierda y derecha. Con ayuda de una llave Allen (5mm), extraiga los dos pernos de cabeza hexagonal (11) fijados en la parte inferior de las bisagras de la puerta izquierda y derecha. Retire las bisagras inferiores de la puerta izquierda y derecha (12).

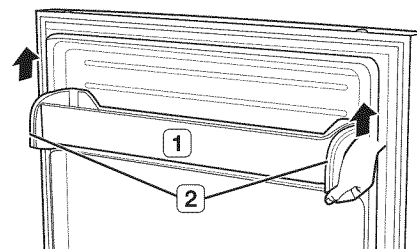


MONTAR LA GAVETA DE LA NEVERA

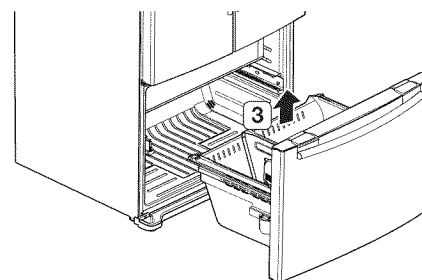
1. Extraer la gaveta superior incline lo mas posible hacia arriba.



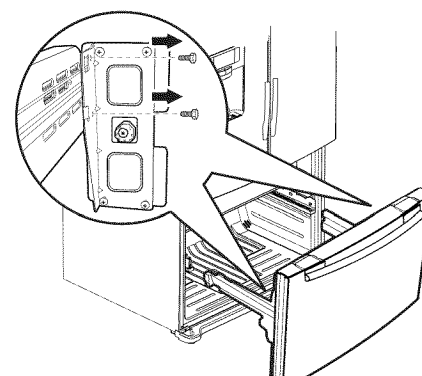
2. Extraiga el compartimento inclinable (1) tirando hacia arriba de los soportes (2) al mismo tiempo.



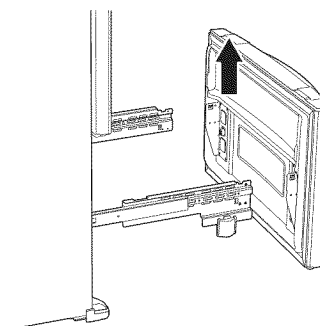
3. Saque la cesta inferior (3) levantándola del sistema de rieles.



4. Retire cuatro pernos de cabeza hexagonal de 10 mm de ambos lados.



5. Levante la puerta de la nevera de los rieles.

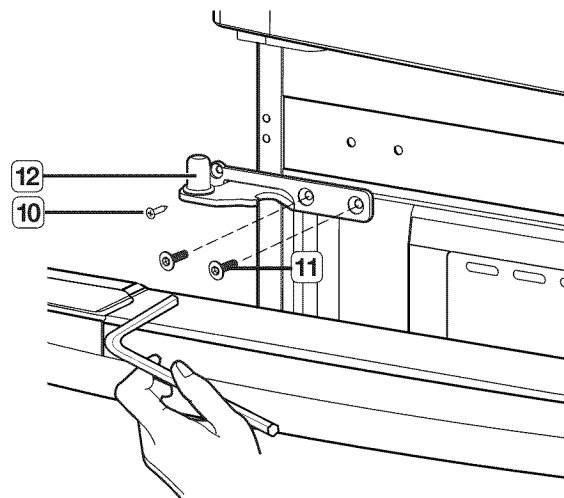


Instalación de su refrigerador de tres puertas

MONTAJE DE LAS PUERTAS DEL REFRIGERADOR

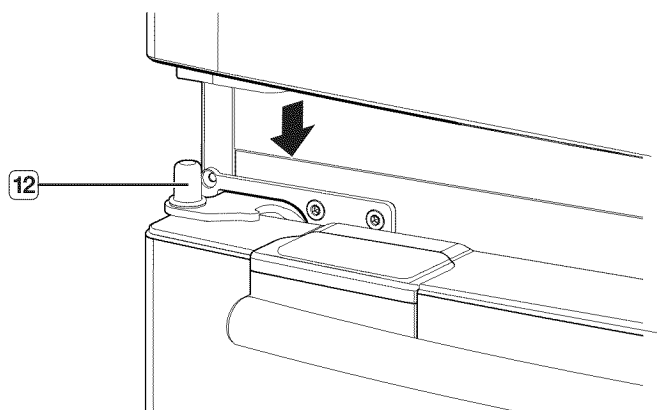
Montaje de las puertas del refrigerador

1. Coloque las bisagras inferiores de la puerta izquierda y derecha (**12**).
Con un destornillador de cabeza Phillips, inserte los tornillo (**10**) fijados en las bisagras inferiores de la puerta izquierda y derecha.
Con ayuda de una llave Allen (5mm), introduzca y apriete los dos pernos de cabeza hexagonal (**11**) en las bisagras inferiores izquierda y derecha de la puerta.

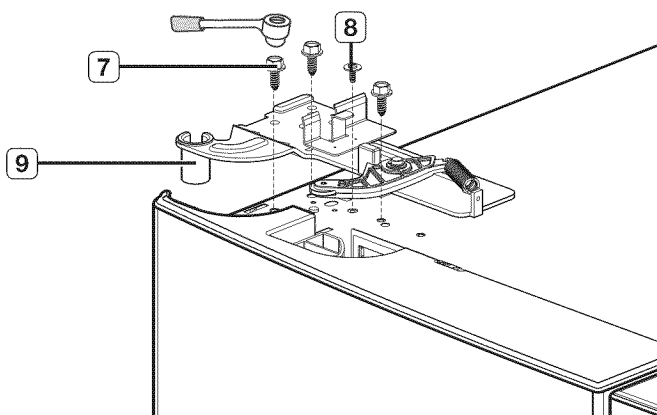


2. Haga coincidir el orificio de la base de la puerta con la bisagra inferior (**12**).

 Asegúrese de no perder la tapa de la bisagra que es muy fácil de quitar.



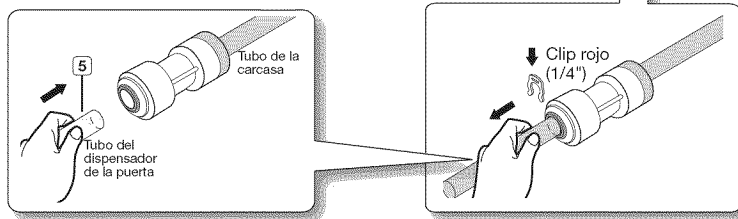
3. Introduzca las bisagras superiores (**9**) en los orificios situados en la parte superior de las puertas.
Con ayuda de una llave tubular (10 mm), introduzca y apriete los 3 pernos de cabeza hexagonal (**7**) en las bisagras superiores de la puerta izquierda y derecha.
Con la ayuda de un destornillador de cabeza Phillips, introduzca y apriete el perno de puesta a tierra (**8**) en las bisagras superiores de la puerta izquierda y derecha.




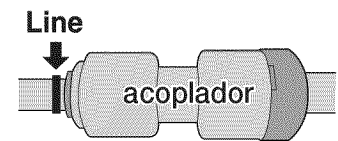
MONTAJE DE LAS PUERTAS DEL REFRIGERADOR

4. Conecte la línea de agua (5) y, a continuación, inserte la abrazadera en el acoplador tirando del tubo. Fije el conector (4) situado en la puerta del lado izquierdo y los dos conectores (3) situados a cada lado de la tapa superior.


 La abrazadera se encuentra en el interior de la tapa superior.

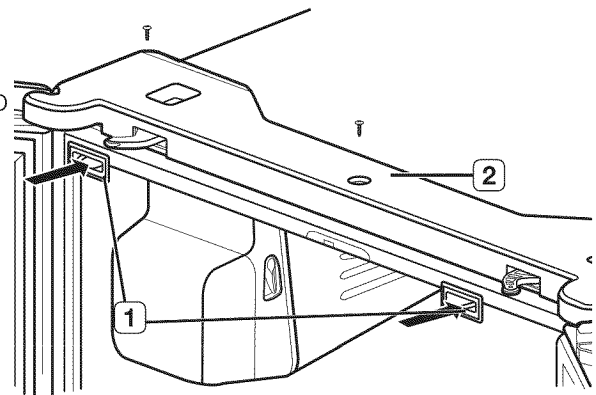


 **PRECAUCIÓN** La línea de agua (5) debe insertarse completamente en la línea marcada para evitar fugas de agua del dispensador



5. Sitúe el cuadro superior (2) en su lugar. Con la ayuda de un destornillador Phillips, introduzca y apriete los 3 pernos del cuadro superior. Con la puerta abierta, vuelva a introducir la tapa del cuadro superior (1) y cierre las puertas.

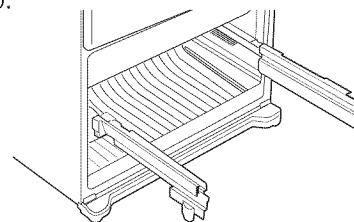
 Al volver a montar el cuadro superior, asegúrese de que este no comprima o dañe los cables.



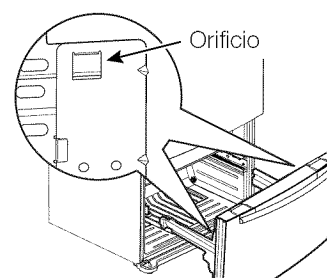
Instalación de su refrigerador de tres puertas

MONTAR LA GAVETA DE LA NEVERA

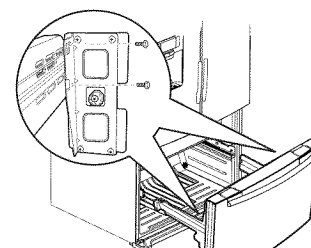
1. Extraiga de forma uniforme los rieles de cada lado de la carcasa por completo.



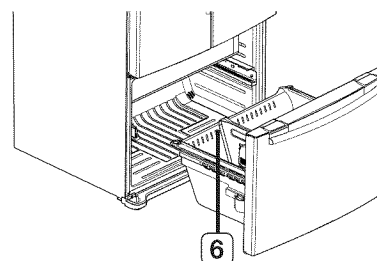
2. Sujete el frontal de la puerta de la nevera sobre los orificios abiertos de los lados.



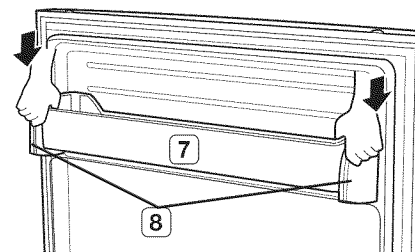
3. Apriete por completo los cuatro pernos de cabeza hexagonal.



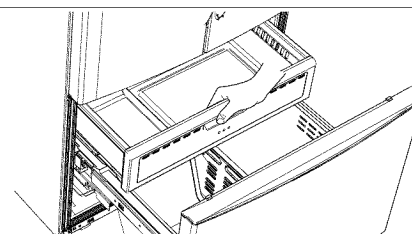
4. Con la gaveta extraída por completo, introduzca la cesta inferior (6) en el sistema de rieles.



5. Enganche los extremos del compartimento inclinable (7) dentro de los soportes (8) y empuje hacia abajo hasta situarlo en su lugar.



6. insertar la gaveta superior

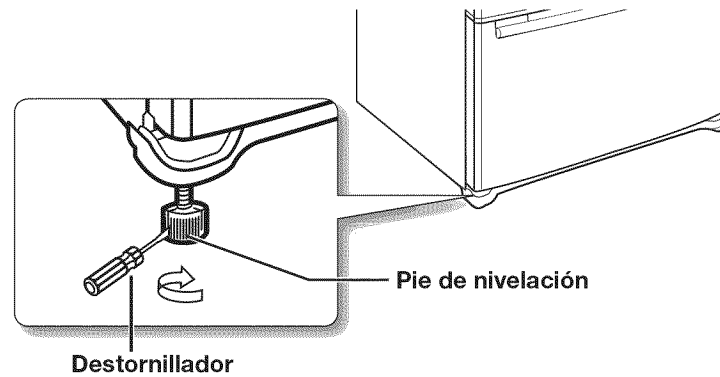


AJUSTE DE LAS PUERTAS

Ahora que las puertas están aseguradas en el refrigerador, necesitará verificar que esté nivelado, para lo que puede realizar ajustes finales. Si el refrigerador no está nivelado, será imposible conseguir que las puertas se igualen de forma uniforme.

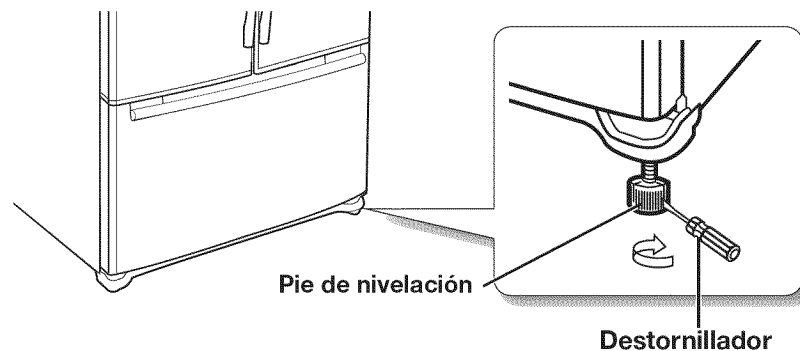
Cuando la puerta izquierda esté más baja que la derecha.


Introduzca un destornillador plano dentro de una ranura del pie de nivelación izquierdo y gírelo en sentido horario u antihorario para nivelar la puerta izquierda.



Cuando la puerta izquierda esté más alta que la derecha.

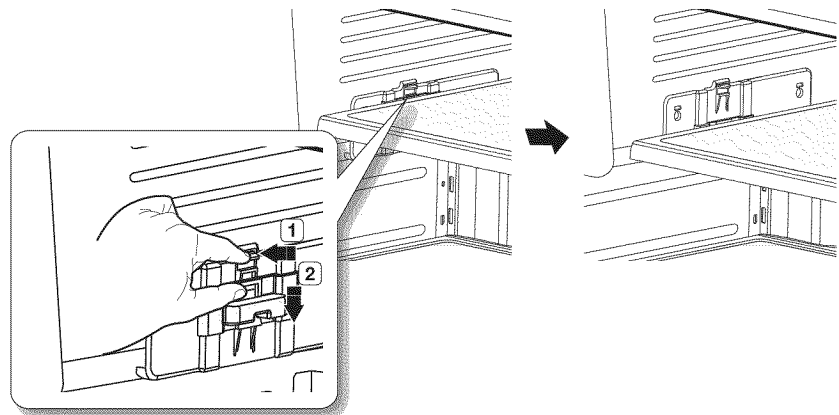
Introduzca un destornillador plano dentro de una ranura del pie de nivelación derecho y gírelo en sentido Del reloj ó manecillas del reloj para nivelar la puerta derecha.



 Recomendamos no realizar pequeños ajustes en los pies de nivelación. En lugar de eso, examine la siguiente página para descubrir la mejor forma de realizar ajustes menores en las puertas.

AJUSTE DEL SOPORTE PARA LA PARILLAS AJUSTABLE (RF26X)

1. Extraiga la parillas ajustable.
2. Pulse el enganche **1** y baje el soporte móvil **2**.
3. Sujete la parillas ajustable en su posición más baja.

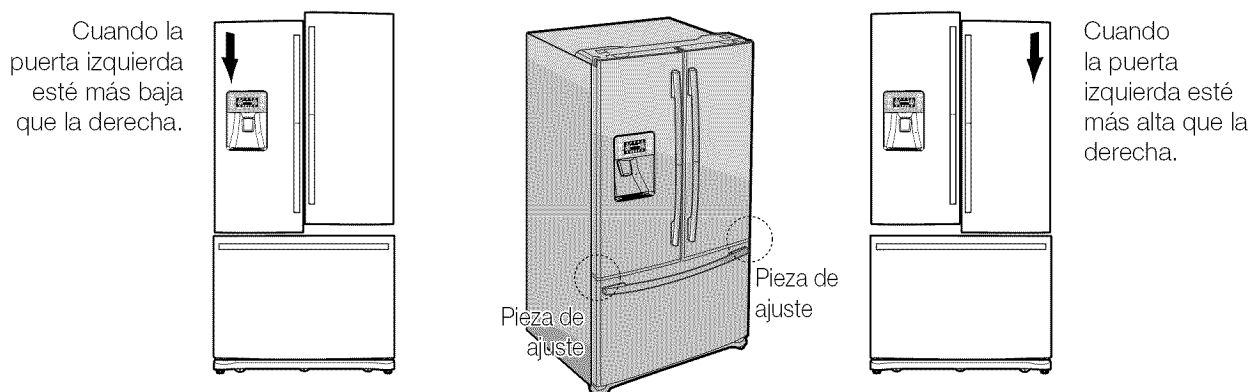


Instalación de su refrigerador de tres puertas

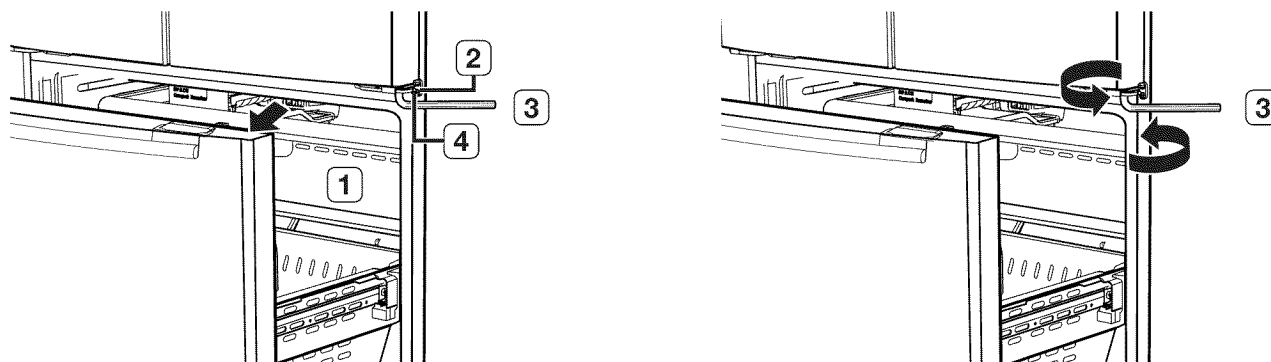
REALIZACIÓN DE AJUSTES MENORES ENTRE PUERTAS

Recuerde que es necesario que el refrigerador esté nivelado para lograr que las puertas estén igualadas de forma uniforme.

Si necesita ayuda, revise las secciones anteriores relativas a la nivelación del refrigerador.

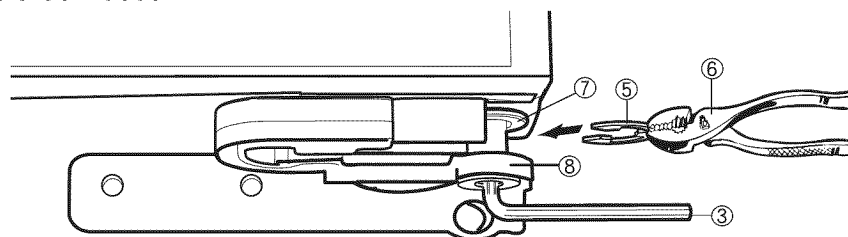


1. Si abre la gaveta (1), podrá ver la bisagra inferior (2).
2. Introduzca la llave Allen incluida (3) dentro del eje (4) de la bisagra inferior.
3. Ajuste la altura girando la llave Allen (3) en sentido horario (↻) o antihorario (↺).



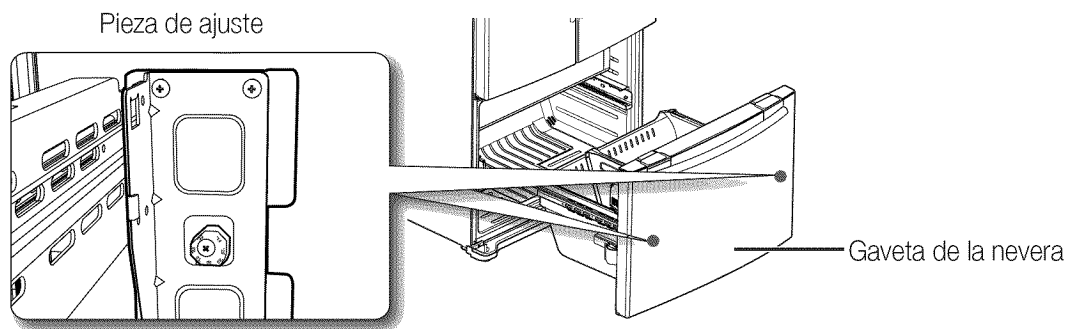
☑ Al girar la llave Allen en sentido antihorario (↺), la puerta se desplazará hacia arriba.

1. Tras ajustar las puertas, introduzca el anillo de sujeción incluido (5) usando un alicate (6) en el hueco entre el anillo de la bisagra (7) y la bisagra inferior (8). El número de anillos de sujeción a insertar dependerá del hueco.

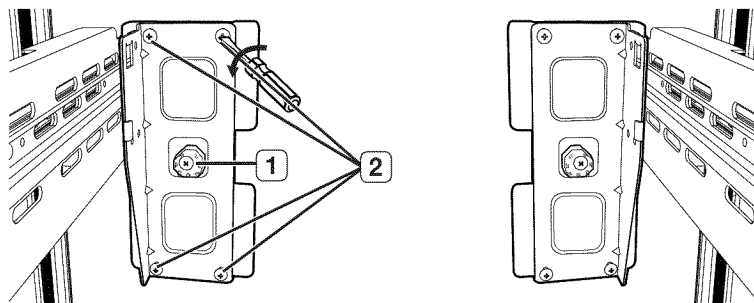


☑ Con el refrigerador se incluyen dos anillos de sujeción.
El grosor de cada anillo de sujeción es de 1 mm (0,04 pulgadas).

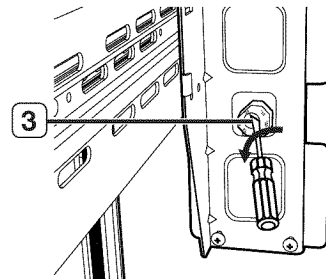
AJUSTE DEL NIVEL DE LA GAVETA DE LA NEVERA



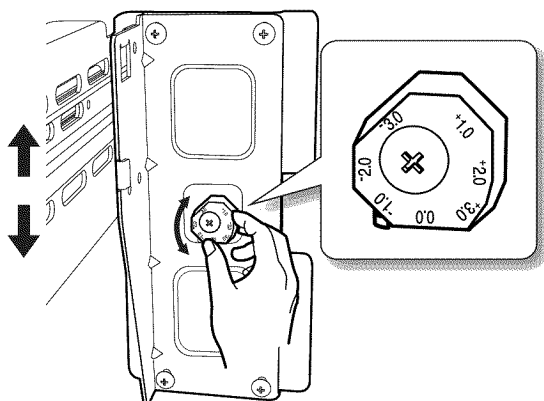
1. Localice el regulador de altura (1) en la gaveta de la nevera.
Desatornille parcialmente los cuatro Pernos Phillips (2) para aflojar la puerta.



2. Afloje el perno de control (3) con un destornillador Phillips.



3. Busque el mejor nivel de ajuste para la inclinación de la puerta.



Ejemplo) La inclinación es de es de 2 mm(0,08 pulgadas) aproximadamente, como se indica a continuación.

Inclinación

Plano de referencia

- Gire el ajuste de altura a +2,0 para reducir la inclinación de la puerta.

Instalación de su refrigerador de tres puertas

CHEQUEO DE LA TOMA DE AGUA DEL DISPENSADOR


Un dispensador es sólo una de las características útiles de su nuevo refrigerador Samsung. Para fomentar una mejor salud, el filtro de agua Samsung elimina partículas no deseadas del agua. Sin embargo, no esteriliza ni destruye microorganismos. Para lograr esto último, debe adquirir un sistema purificador de agua.

Para que la máquina de hielo funcione correctamente, es necesaria una presión de agua de 20~125 psi (libras por pulgada cuadrada)

En condiciones normales, un vaso de papel de 170 cc (5,75 onzas) debe poder llenarse en 10 segundos.

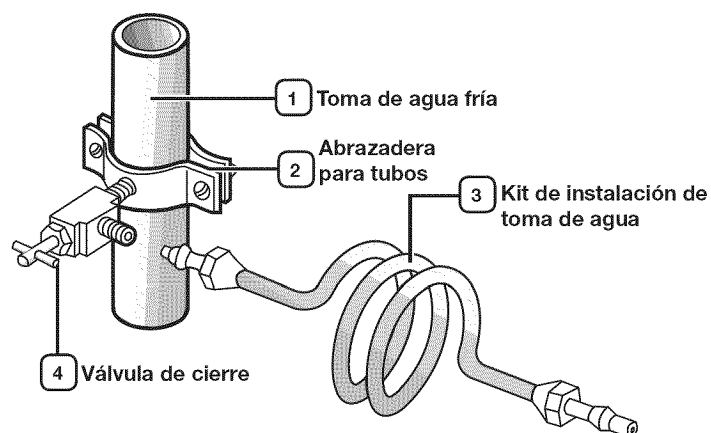
Si la zona de instalación del refrigerador dispone de una presión baja de agua (por debajo de 20 psi), puede instalar una bomba auxiliar para compensar la falta de presión.

Asegúrese de que el depósito de almacenamiento de agua situado en el interior del refrigerador esté adecuadamente lleno. Para hacerlo, pulse la palanca del dispensador de agua hasta que el líquido salga a través de la salida.

-  En su distribuidor encontrará disponibles kits de instalación para la toma de agua por un costo adicional. Recomendamos usar un kit de suministro de agua que contenga tubos de cobre.

Conexión de la toma de suministro de agua

1. Primero, corte la toma de suministro de agua principal y apague la máquina de hielo.
2. Localice la toma de agua fría potable más cercana.
3. Tras conectar el suministro al filtro de agua, vuelva a dejar el suministro principal como estaba y descargue unos 3 litros para eliminar impurezas y cebar el filtro de agua.

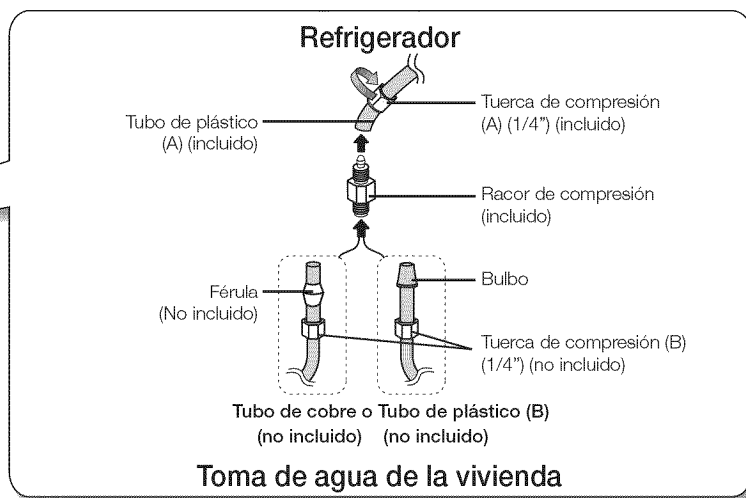
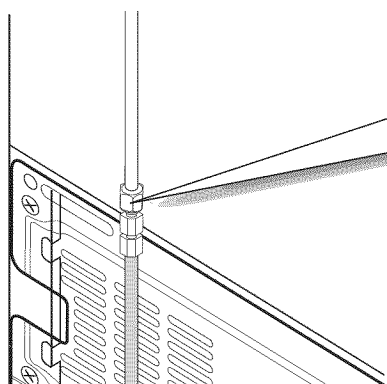


INSTALACIÓN DE LA TOMA DE AGUA DEL DISPENSADOR

Conexión de la toma de agua al refrigerador

Deberá adquirir varios elementos para realizar esta conexión. Podrá encontrar estos elementos a la venta en forma de kit, en su ferretería habitual.

- Tuerca de compresión de 1/4"
- tubo de cobre
- tubo de plástico
- férula



1. Deslice la tuerca de compresión (A) a través del tubo de plástico suministrado (A)
2. Apriete la tuerca de compresión (B) sobre el racor de compresión de 1/4".
 - Si está usando tubo de cobre, deslice la tuerca de compresión (B) (no incluida) y la férula (no incluida) por el tubo de cobre (no incluido) como se indica.
 - Si está usando conductos de plástico (B), introduzca el extremo moldeado (bulbo) del tubo (B) dentro del racor de compresión.



PRECAUCIÓN No usar sin el extremo moldeado (bulbo) de la tubería de plástico (B).

3. Apriete la tuerca de compresión (B) sobre el racor de compresión. No force la tuerca de compresión (B).
4. Abra el suministro de agua y realice un chequeo en busca de fugas.

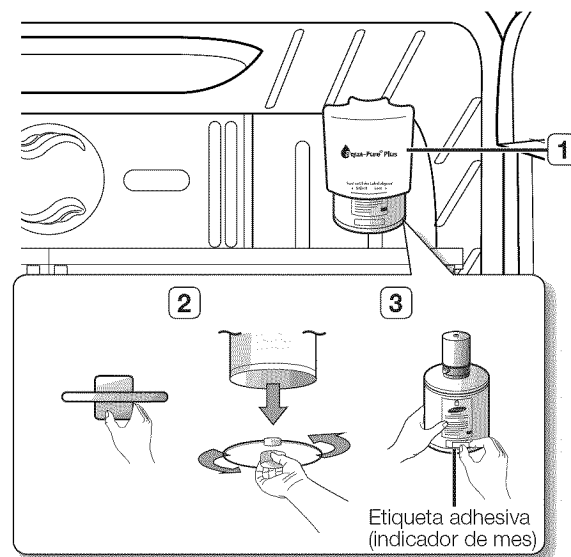


Conecte la toma de agua sólo a una fuente de agua potable.

Si debe reparar o desmontar la toma de agua, corte 6,35 mm (1/4") del tubo de plástico para garantizar una conexión ajustada y sin fugas.

Instalación del filtro de agua.

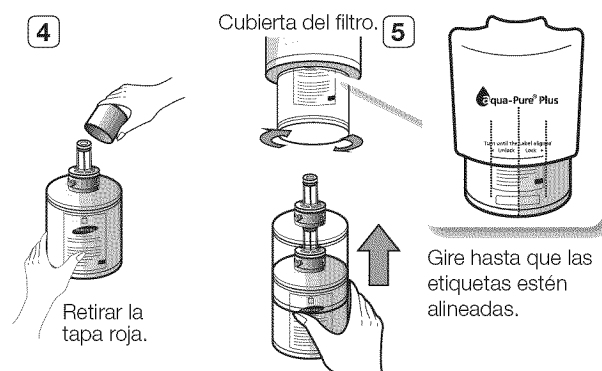
1. Retire la tapa del filtro de agua (1)
2. Retire la tapa fija girándola en sentido manecillas del reloj. Guarde la tapa en un lugar seguro para usarla en caso de no usar filtro.
3. Retire el filtro de agua de la caja y coloque una etiqueta adhesiva indicadora de reemplazo sobre el filtro como se indica. Coloque una etiqueta adhesiva sobre el filtro de recordatorio, para seis meses después. Por ejemplo, si instala el filtro de agua en marzo, coloque la etiqueta "SEP" sobre el filtro para recordarle que debe reemplazar en septiembre. De esta forma, sabrá cuándo debe reemplazar el filtro. Normalmente, un filtro dispone de una vida útil de unos 6 meses.



Instalación de su refrigerador de tres puertas

4. Retire la tapa del filtro e introdúzcalo en su alojamiento.

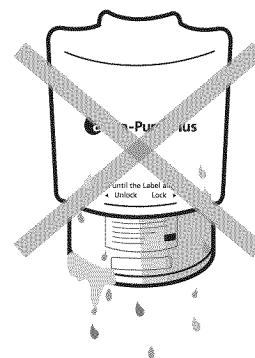
5. Gire lentamente el filtro de agua 90° en sentido En sentido del reloj para alinearlos con la marca impresa situada en la cubierta, bloqueando el filtro en su posición. Asegúrese de alinear la marca de la etiqueta del filtro de agua con el centro de la impresión de la cubierta del filtro como se indica en la ilustración. Recuerde, no lo fuerce.




 Deberá retirar la anacena de cristal superior del lado derecho, antes de proceder a la instalación de filtros de agua.

Eliminación de cualquier sustancia residual del interior de la toma de suministro de agua tras la instalación del filtro de agua.

1. Abra el suministro de agua principal y cierre la válvula de la toma de suministro de agua.
2. Deje correr el agua a través del dispensador hasta que salga transparente (6-7 minutos aprox.). Limpiará el sistema de suministro de agua y eliminará aire de los conductos.
3. En algunos hogares podría necesitarse una descarga mayor.
4. Abra la puerta del refrigerador y asegúrese de que no existen fugas de agua procedentes del filtro.



 Asegúrese de enjuagar a fondo el dispensador, de lo contrario el agua podría gotear. Esto significa que aún queda aire en la toma.

Suministro de agua por ósmosis inversa

IMPORTANTE : La presión del suministro de agua procedente de un sistema de ósmosis inversa dirigida hacia la válvula de entrada de agua del refrigerador debe encontrarse entre 35 y 120 psi (241 y 827 kPa).

Si se conecta un sistema de filtrado de agua por ósmosis inversa a su suministro de agua fría, la presión del agua a dicho sistema debe contar con un mínimo de 40 a 60 psi (276 a 414 kPa).

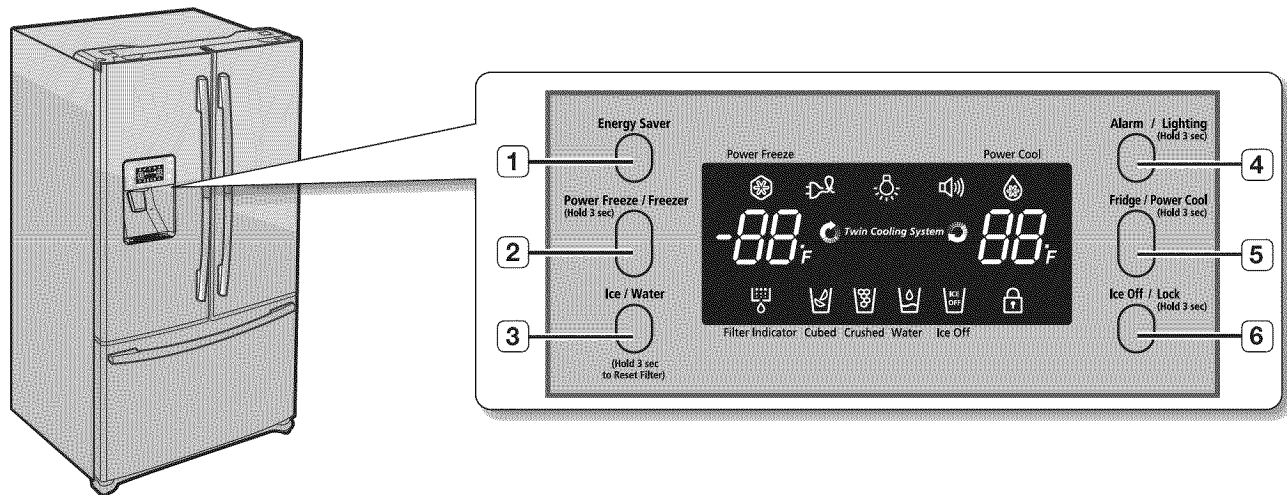
Si la presión del agua hacia al sistema de ósmosis inversa está por debajo de 40 a 60 psi (276 a 414 kPa):

- Chequear si el filtro de sedimentos del sistema de ósmosis inversa está obstruido. Reemplace el filtro si fuera necesario.
- Permita que el depósito de almacenamiento del sistema de ósmosis inversa vuelva a llenarse tras un uso exigente.
- Si su refrigerador dispone de un filtro de agua, este podría reducir aún más la presión de agua al usarse junto con un sistema de ósmosis inversa. Desmonte el filtro de agua.

Si tiene alguna duda respecto a la presión de agua disponible, póngase en contacto con un fontanero cualificado y autorizado.

Funcionamiento del refrigerador SAMSUNG de tres puertas

USO DEL PANEL DE CONTROL



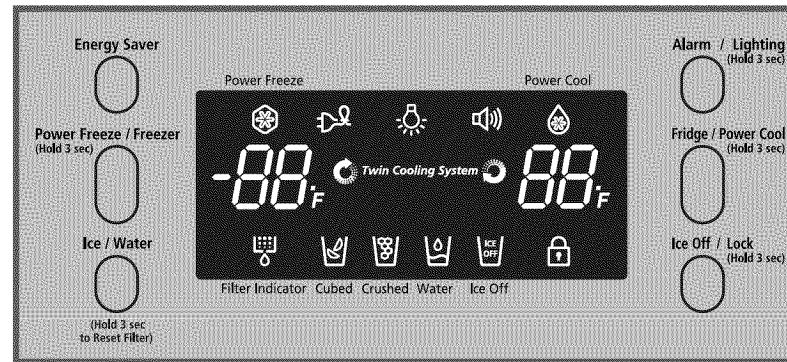
- | | |
|---|--|
| <p>(1) Botón Energy Saver
(Ahorro de energía)</p> | <p>Para mejorar el rendimiento energético, pulse el botón Energy Saver (Ahorro de energía). Si se produjese condensación en las puertas, desactive la función Energy Saver.</p> |
| <p>(2) Botón Freezer/Power Freeze
(Nevera/Congelación rápida)</p> | <p>Pulse el botón Freezer / Power Freeze (Nevera / Congelación rápida) para ajustar la nevera a la temperatura deseada. Puede ajustar la temperatura entre 34° F y 46° F. Mantenga pulsado el botón Freezer / Power Freeze (Nevera / Congelación rápida) durante 3 segundos para acelerar el tiempo necesario para congelar productos en la nevera. Puede ser útil si necesita congelar rápidamente artículos que se estropeen deprisa o si la temperatura de la nevera fuese muy alta (por ejemplo, si la puerta se ha dejado abierta).</p> |
| <p>(3) Botón Ice / Water
(Hielo / Agua)</p> | <p>Pulse el botón Ice/Water (Hielo/Agua) para escoger la función de hielo o agua. Puede escoger agua o los distintos tipos de hielo (cubitos/hielo picado). Tras realizar una selección, pulse la palanca del dispensador.</p> |
| <p>(4) Botón Alarm / Lighting
(Alarma / Iluminación)</p> | <p>Pulse el botón Alarm/Lighting (Alarma/Iluminación) para desactivar la alarma de puerta abierta. Inicialmente la alarma está activada. Si mantiene pulsado el botón Alarm/Lighting (Alarma/Iluminación) durante 3 segundos, la iluminación LED del dispensador permanecerá encendida.</p> |
| <p>(5) Botón Fridge / Power Cool
(Refrigerador / Enfriamiento rápido)</p> | <p>Pulse el botón Fridge / Power Cool (Refrigerador / Enfriamiento rápido) para ajustar el refrigerador a la temperatura deseada. Puede ajustar la temperatura entre 1,1° C y 7,8° C (34° F y 46° F). Mantenga pulsado el botón Fridge / Power Cool (Refrigerador / Enfriamiento rápido) durante 3 segundos para acelerar el tiempo necesario para enfriar productos en el refrigerador. Puede ser útil si necesita enfriar rápidamente artículos que se estropeen deprisa o si la temperatura del refrigerador fuese muy alta (por ejemplo, si la puerta se ha dejado abierta).</p> |
| <p>(6) Botón Ice Off / Lock
(Hielo desac. / Bloquear)</p> | <p>Pulse el botón Ice Off / Lock (Hielo desac. / Bloquear) para desconectar la función de elaboración de hielo. Si mantiene pulsado el botón Ice Off / Lock (Hielo desac. / Bloquear) durante 3 segundos, la pantalla de visualización y el dispensador quedarán bloqueados.</p> |

USO DE LA PANTALLA DIGITAL

“Freezer Temp” (Temp. de la nevera) indica la temperatura actual en la nevera.

“Fridge Temp” (Temp. del refrigerador) indica la temperatura actual en el refrigerador.

La pantalla de visualización se apagará cuando no se use. Esto es normal.



Congelación rápida

Este icono se iluminará al activar la función “Power Freeze” (Congelación rápida). “Power Freeze” (Congelación rápida) es fantástico para esos momentos en los que necesita disponer de una gran cantidad de hielo. Cuando tenga suficiente, simplemente pulse de nuevo el botón para cancelar el modo “Power Freeze” (Congelación rápida). Si escoge “Power Freeze” (Congelación rápida), la temperatura interior del refrigerador descenderá en dos horas y media aproximadamente.

Cubitos , hielo picado , agua

Disfrute de cubitos o hielo picado escogiéndolo mediante el panel de control digital. Si no necesita hielo, desactive la función para ahorrar agua y energía. La luz de tipo de hielo indica el tipo escogido (o si está desactivado) actualmente.

Enfriamiento rápido

Este icono se iluminará al activar la función mediante el botón “Power Cool” (Enfriamiento rápido).

Use “Power Cool” (Enfriamiento rápido) para enfriar rápidamente el refrigerador.

Si escoge “Power Cool” (Enfriamiento rápido), la temperatura interior del refrigerador descenderá en dos horas y media aproximadamente.

Indicador del filtro

Cuando la luz del indicador del filtro se ilumine, es el momento de cambiar el filtro. Normalmente esto sucede cada 6 meses aproximadamente.

Cuando introduzca el filtro de agua, el indicador del filtro se ilumina en azul al principio.


El indicador del filtro pasará a iluminarse en púrpura tras 5 meses de uso.

El indicador del filtro pasará a iluminarse en rojo cuando lo lleve usando 6 meses.

Tras extraer el viejo filtro de agua e instalar el nuevo (examine la página 33 para obtener las instrucciones), reinicie el indicador manteniendo pulsado el botón “Ice/Water” (Hielo/Agua) durante 3 segundos.

Modo de enfriamiento desactivado (código “OF & OF” en la pantalla de visualización)

 Esta función se usa para refrigeradores de muestra en tiendas. No para uso doméstico.

 **PRECAUCIÓN** Con la función Modo de enfriamiento desactivado, el refrigerador funciona pero no enfría el aire. Para cancelar este modo, pulse al mismo tiempo los botones Power Freeze y Freezer (Congelación rápida y Nevera) durante 3 segundos hasta oír un “Ding-dong” y la unidad ya enfriará.

Funcionamiento del refrigerador SAMSUNG de tres puertas

Ahorro de energía

Este icono se iluminará al activar la función "Energy Saver" (Ahorro de energía) que se establece automáticamente en "ON" conectar el refrigerador. Si se produjese condensación en las puertas, desactive la función Ahorro de energía.

Iluminación

Este icono se iluminará al activar la función "Lighting" (Iluminación). En este caso, la luz del dispensador (bajo la pantalla) permanecerá encendida constantemente. Si desea que la luz del dispensador se ilumine sólo cuando esté usándose, desactive la función "Lighting" (Iluminación).

Alarma

Este icono se iluminará al activar la función "Alarm" (Alarma). La alarma de puerta sonará si se deja abierta cualquier puerta durante más de 3 minutos. El aviso sonoro se detendrá cuando cierre la puerta. Inicialmente la alarma está activada.

Hielo desactivado

Este icono se iluminará al activar la función "Ice Off" (Hielo desac.). En este caso, no se elaborará hielo.

Bloquear

Este icono se iluminará al activar la función "Lock" (Bloquear). En este estado, no podrá usar el panel de control. Si mantiene pulsado el botón Ice Off / Lock (Hielo desac. / Bloquear) durante 3 segundos, podrá usar de nuevo el panel de control.

CONTROL DE LA TEMPERATURA

Temperatura básica de los compartimentos de la nevera y el refrigerador


La temperatura básica o recomendada para los compartimentos de la nevera y el refrigerador es de -19°C (-2°F) y 3°C (38°F) respectivamente. Si la temperatura de los compartimentos de la nevera y el refrigerador es demasiado alta o baja, ajuste la temperatura manualmente.

Control de la temperatura de la nevera

La temperatura de la nevera debe estar ajustada entre -13°C y -26°C (8°F y -14°F) para adaptarse a sus necesidades particulares. Pulse el botón Freezer (Nevera) varias veces hasta que la temperatura deseada aparezca en la pantalla de visualización. Tenga en cuenta que alimentos como el helado pueden derretirse a -16°C (4°F). La pantalla de visualización de temperatura se moverá secuencialmente de -26°C a -13°C (-14°F a 8°F). Cuando la pantalla de visualización alcance los -13°C (8°F), lo hará de nuevo a los -26°C (-14°F). Cinco segundos después de que la nueva temperatura se ajuste, en pantalla se mostrará de nuevo la temperatura actual de la nevera.

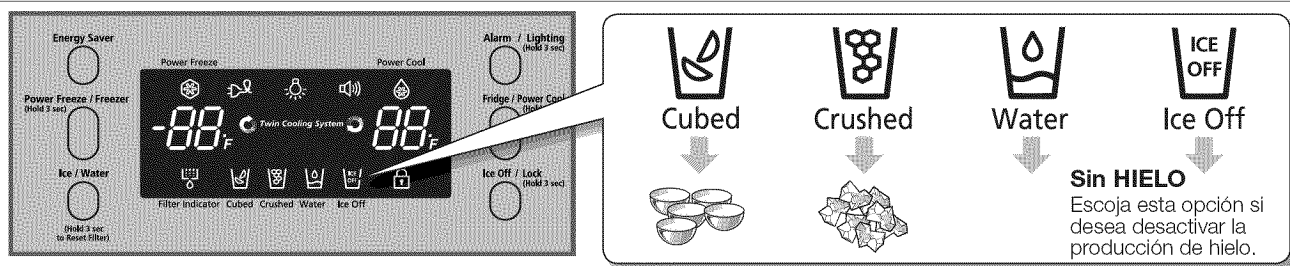
Control de la temperatura del refrigerador

La temperatura del refrigerador debe estar ajustada entre 8°C y 1°C (46°F y 34°F) para adaptarse a sus necesidades particulares. Pulse el botón Fridge (Refrigerador) varias veces hasta que la temperatura deseada aparezca en la pantalla de visualización. El proceso de control de temperatura para el refrigerador funciona de la misma forma que el de la nevera. Pulse el botón Fridge (Refrigerador) para ajustar la temperatura deseada. Pasados unos segundos, el refrigerador se encaminará hacia la temperatura recientemente ajustada. Lo que se reflejará en la pantalla de visualización digital.

-  La temperatura de la nevera o el refrigerador puede aumentar debido a una apertura frecuente de las puertas o a la introducción, en cualquiera de ellos, de una gran cantidad de alimentos calientes. Esto puede provocar que la pantalla de visualización parpadee. Una vez que la nevera y el refrigerador vuelven a sus temperaturas normales de ajuste, el parpadeo cesará. Si continua parpadeando, puede ser necesario "reiniciar" el refrigerador. Pruebe desenchufando el electrodoméstico, esperando unos 10 minutos y volviéndolo a enchufar.

USO DEL DISPENSADOR DE HIELO Y AGUA FRÍA

Pulse el botón Ice / Water (Hielo / Agua) para escoger el tipo de hielo que desea.



Uso del dispensador de hielo

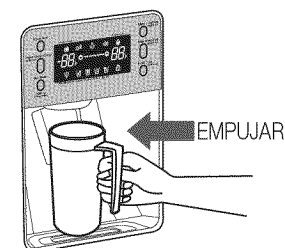
Coloque un vaso bajo el dispensador de hielo y pulse, con él, la palanca del dispensador cuidadosamente. Asegúrese de que el vaso se encuentra en línea con el dispensador para evitar que el hielo salte.



Si se deja la puerta de la nevera abierta durante un período de tiempo prolongado, puede formarse condensación o el hielo del interior de la máquina de hielo conglomerarse.

Cierre las puertas tan pronto como sea posible. El dispensador de hielo puede expulsar sólo varios cubitos si no hay suficiente hielo en la máquina. Use el dispensador cuando disponga de suficiente hielo.

Si la puerta de la nevera permaneciese abierta durante un período de tiempo prolongado o si fuese dispensada una gran cantidad de hielo de una vez, podrían producirse goteos por condensación bajo la palanca del dispensador.



Uso del dispensador de agua

Coloque un vaso bajo la salida de agua y pulse, con él, la palanca del dispensador cuidadosamente. Asegúrese de que el vaso se encuentra en línea con el dispensador para evitar que el agua salpique.

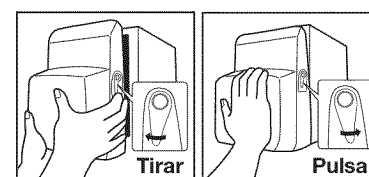
Si acaba de instalar el refrigerador o un nuevo filtro de agua, deseche los seis primeros vasos de agua para eliminar las impurezas del sistema de suministro de agua. Asegúrese de que el flujo de agua es transparente antes de comenzar a consumirla.



Cuando no use el dispensador de agua durante 2 ó 3 días (especialmente durante el verano), el agua dispensada podría presentar olores o sabores extraños. Si esto ocurre, recomendamos que deseche los primeros 1 ó 2 vasos de agua para mejorar su sabor.

Uso de la función Ice Off (Hielo desac.)

Al escoger el modo Ice Off (Hielo desac.), retire todos los cubitos del depósito. Si no usa el dispensador de hielo, los cubitos pueden adherirse unos a otros. Tire de la palanca de bloqueo hacia adelante para desechar cubitos o extraer el hielo aglomerado del depósito. Pulse el depósito hacia atrás hasta escuchar un clic.



Si va a tomarse unas vacaciones o realizar un viaje de negocios de larga duración, cierre la válvula de agua y corte el suministro del refrigerador. Esto ayudará a evitar fugas accidentales.

No introduzca los dedos, manos ni ningún otro objeto inadecuado en el conducto de salida o en el depósito de la máquina de hielo.

- Hacerlo puede ocasionar lesiones físicas o daños materiales.

No introduzca los dedos ni ningún otro objeto en la salida del dispensador.

- Podría ocasionar lesiones.

No desmonte la máquina de hielo. Podría desajustarse.

No salpique o rocíe agua en el depósito de hielo.

Simplemente límpielo con un paño seco. Para que la máquina de hielo funcione correctamente, es necesaria una presión de agua de 138 a 862 kPa.



Fenómeno de enturbamiento del agua

Toda el agua suministrada a los refrigeradores pasa a través del filtro principal, que es un filtro de agua alcalino. En este proceso, la presión del agua que ha pasado por el filtro aumenta y el agua se satura de oxígeno y nitrógeno. Cuando el agua fluye de nuevo al aire, la presión se reduce y el oxígeno y el nitrógeno quedan supersaturados, por lo que se transforman en burbujas de gas. El agua podría adquirir un aspecto turbio debido a estas burbujas de oxígeno. El agua podría adquirir, temporalmente, un aspecto turbio debido a estas burbujas de oxígeno. Pasados unos segundos, el agua volverá a ser transparente.

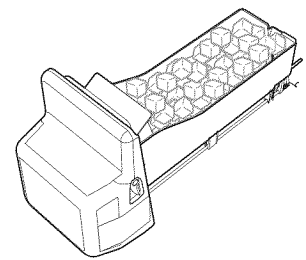
Funcionamiento del refrigerador SAMSUNG de tres puertas


ELABORACIÓN DE HIELO


Uso normal


Para llenar el depósito de hielo a su máxima capacidad tras la instalación, asegúrese de seguir los pasos expuestos a continuación.

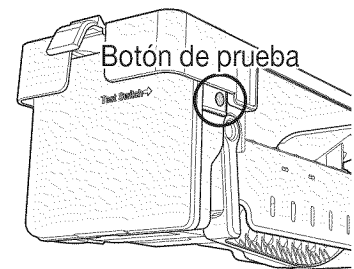
1. Permita que su refrigerador funcione y enfríe durante 24 horas (o durante 1 día completo).
2. Una espera de 24 horas permitirá que su máquina de hielo enfríe de forma adecuada.
3. Dispense de 4 a 6 cubitos de hielo dentro del vaso.
4. Transcurridas 8 y 16 horas, dispense un vaso entero de cubitos cada vez.




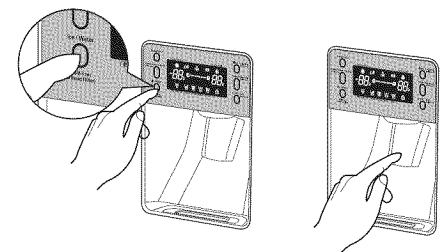
-  Cada vez que se use todo el hielo de una vez, deben repetirse los pasos 3 y 4 anteriores (antes de dispensar los primeros 4 a 6 cubitos de hielo, es necesario esperar 8 horas). Esto permitirá el reabastecimiento de cubitos, garantizando una elaboración de hielo máxima.

-  **Botón de prueba**
PRECAUCIÓN En caso de que el hielo no salga, extraiga la cubierta de la máquina de hielo y pulse el botón de prueba situado en la máquina.

-  Tras dispensar agua, espere 1 segundo antes de retirar el vaso para evitar derrames. No tire de la palanca del dispensador una vez obtenido hielo o agua. Volverá automáticamente a su posición. El hielo se elabora en cubitos. Al escoger "Crushed" (Hielo picado), la máquina de hielo tritura los cubitos para conseguir hielo picado.



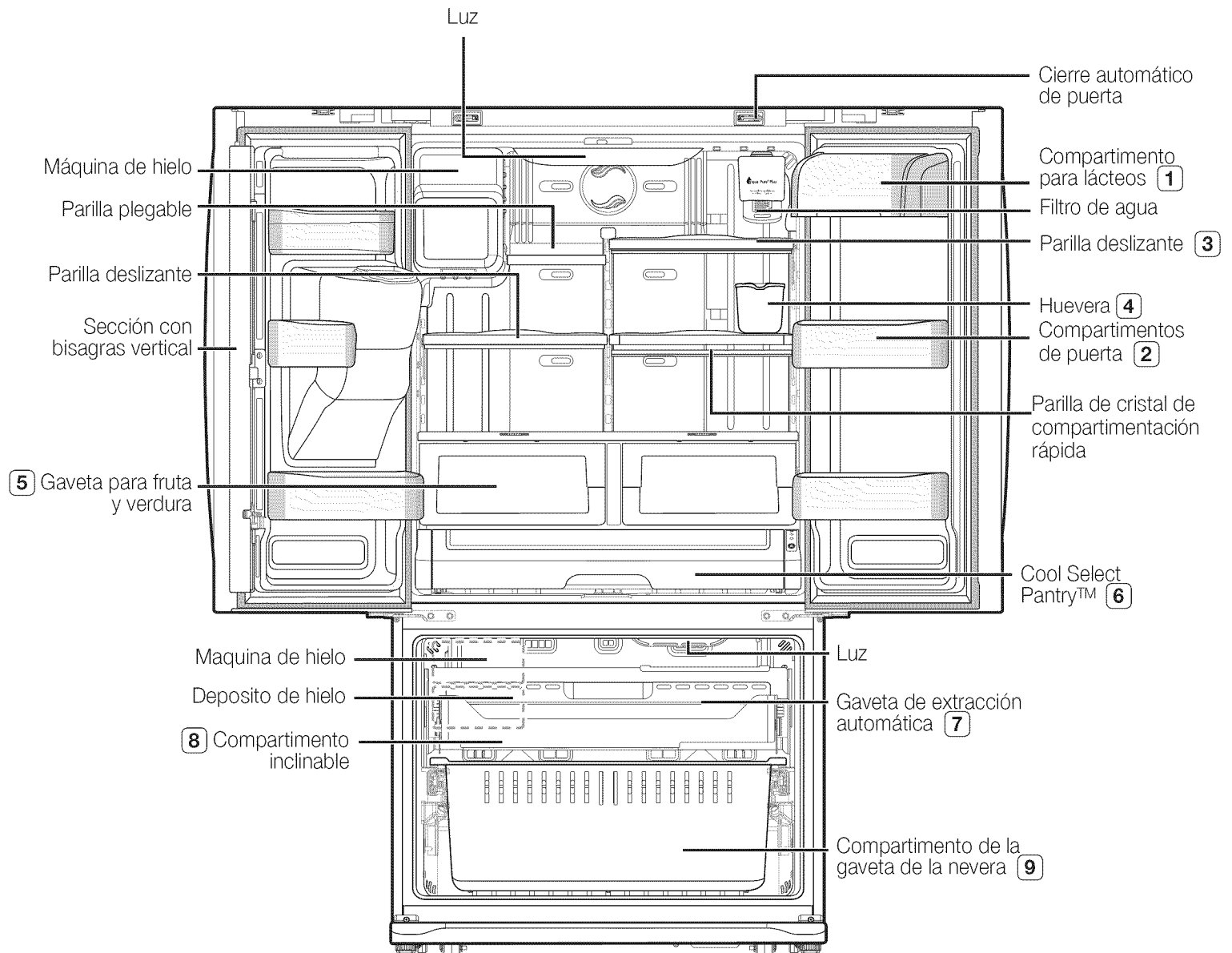
-  **PRECAUCIÓN** Cuando vacíe la cubeta de hielos, usted debe presionar una vez la palanca del dispensador de hielos con la función "ice cubed" o "crushed" en posición ON para obtener hielo rápidamente después de colocar nuevamente la cubeta de hielos en el refrigerador




Funcionamiento de su refrigerador SAMSUNG bajo cualquier circunstancia

PARTES Y FUNCIONES (RF267)

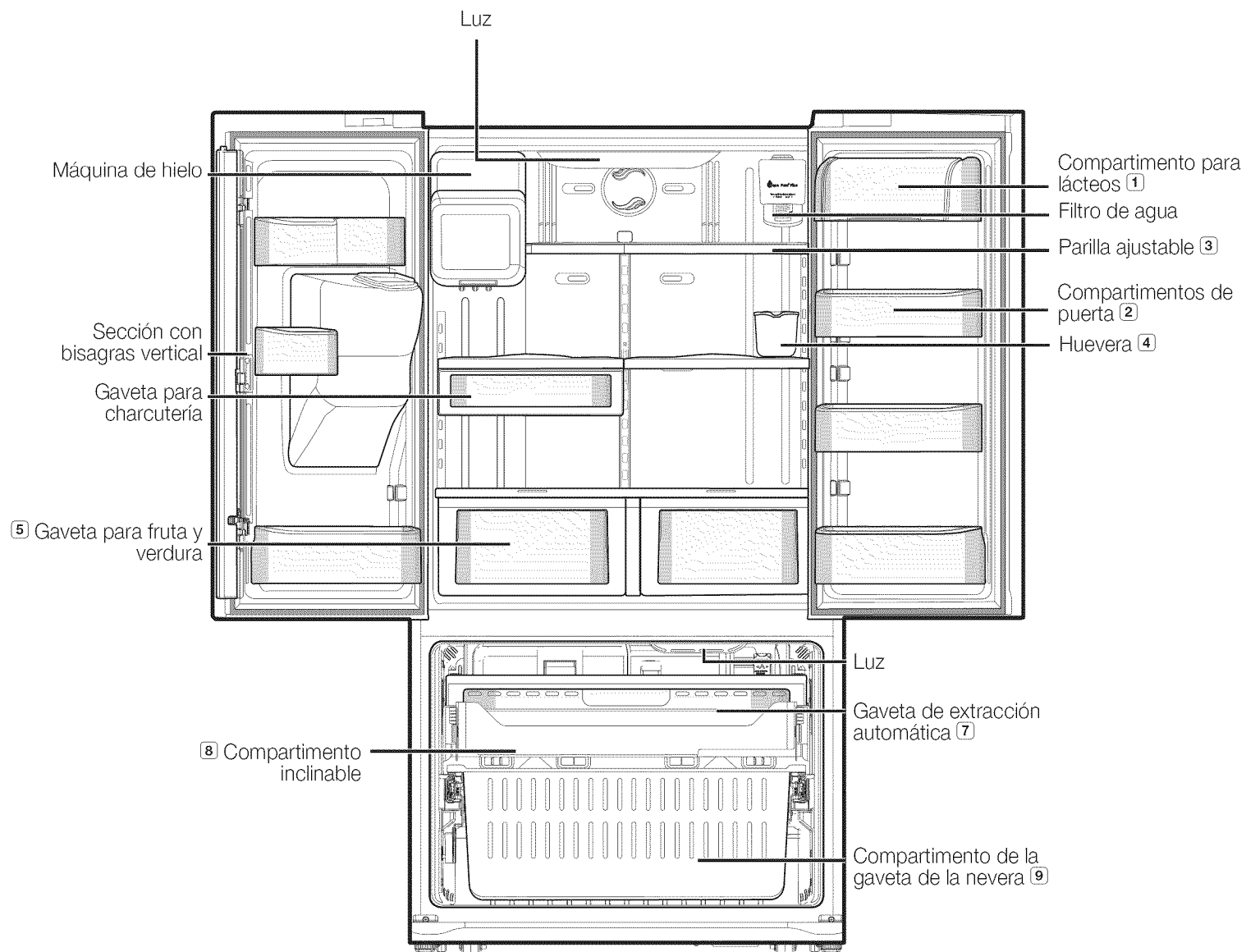
Use esta página para familiarizarse con las partes y funciones del refrigerador.



-  Al cerrar la puerta, asegúrese de que la sección con bisagras vertical se encuentra en posición correcta para evitar arañazos en la otra puerta.
Si la sección con bisagras vertical está al revés, devuélvala a su posición correcta y cierre la puerta.
En algunas ocasiones se puede producir humedad en la sección con bisagras vertical.
El tirador de la puerta puede aflojarse con el paso del tiempo.
Si esto ocurre, apriete los pernos que se encuentran en la parte interior de la puerta.
Si cierra la puerta mediante una fuerza excesiva, pueden abrirse las otras puertas.

PARTES Y FUNCIONES (RF26X)

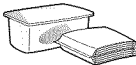

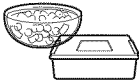
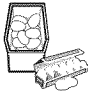

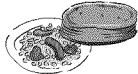
Use esta página para familiarizarse con las partes y funciones del refrigerador.




ALMACENAJE DE ALIMENTOS


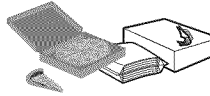

El refrigerador Samsung de tres puertas ha sido diseñado para proporcionarle características y funciones de ahorro máximo de espacio. Aquí tiene algunos de los compartimentos personalizados que hemos creado para mantener sus alimentos frescos durante períodos de tiempo más largos. Para evitar la penetración de olores en el interior del compartimento del hielo, los alimentos almacenados deberán ser envueltos adecuadamente, tan herméticos como sea posible.



ALMACENAJE DE ALIMENTOS EN EL REFRIGERADOR

(1) COMPARTIMENTO PARA LÁCTEOS	Puede usarse para almacenar pequeños artículos lácteos como mantequilla o margarina, yoghurt o dados de crema de queso.	
(2) COMPARTIMENTOS DE PUERTA	Diseñados para soportar artículos grandes y voluminosos como botellas de leche u otras botellas o recipientes de grandes dimensiones.	
(3) PARILLA DE CRISTAL TEMPLADO	Con diseño anti-rotura, las parilla pueden usarse para almacenar todo tipo de alimentos y bebidas. Las marcas circulares en la superficie de cristal representan un fenómeno normal que puede limpiarse a menudo con un paño húmedo.	
(4) HUEVERA	El mejor lugar para guardar huevos. Coloque la huevera sobre la parilla para acceder fácilmente.	
(5) GAVETAS PARA FRUTA Y VERDURA	Usado para mantener frescas sus frutas y verduras almacenadas. Esta gaveta ha sido específicamente diseñada para controlar el nivel de humedad dentro del compartimento. Si es posible, mantenga separadas verduras y frutas.	
(6) COOL SELECT PANTRY™	Puede usarse como bandeja grande para fiestas, delicatessen, pizza, bebidas o artículos diversos.	

-  No coloque artículos de grandes dimensiones bajo el foco del refrigerador. Hay un sensor ubicado en las proximidades del foco y, si dicho sensor fuese bloqueado, su refrigerador podría enfriarse demasiado. Coloque verduras y frutas en la gaveta que tienen asignado para evitar que se congelen. Si los alimentos se congelasen en su refrigerador, ajústelo a una temperatura más alta.

ALMACENAJE DE ALIMENTOS EN LA GAVETA DE LA NEVERA

(7) GAVETA DE EXTRACCIÓN AUTOMÁTICA	La mejor elección para almacenar carnes o alimentos secos. Los alimentos almacenados deberán envolverse adecuadamente usando papel de aluminio u otros materiales o envases aptos como envoltorio.	
(8) COMPARTIMENTO INCLINABLE	Pueden usarse para paquetes pequeños o alimentos congelados. También puede introducir una pizza de 16" .	
(9) COMPARTIMENTO DE LA GAVETA DE LA NEVERA	Puede usarse para almacenar carne y alimentos secos. Los alimentos almacenados deberán envolverse adecuadamente usando papel de aluminio u otros materiales o envases aptos como envoltorio.	

-  Las botellas deberán almacenarse unas junto a otras para que no se golpeen y caigan al abrir la puerta del refrigerador.
-  Si tiene planeado ausentarse durante un período de tiempo prolongado, vacíe el refrigerador y apáguelo. Limpie el exceso de humedad del interior del electrodoméstico y deje las puertas abiertas. Esto ayuda a evitar la proliferación de olores y moho.

USO DEL COOL SELECT PANTRY™ (RF267)

El Cool Select Pantry™ es una gaveta de ancho completo que dispone de control de temperatura ajustable. Este compartimento puede usarse como bandeja grande para fiestas, delicatessen, pizza, bebidas o artículos diversos.

Dispone de un control de temperatura que puede ajustar la cantidad de aire frío que entra en el compartimento.

El control se encuentra situado en la cara derecha del compartimento.

Botón de selección

1. Al escoger "Deli", la temperatura del compartimento se mantiene entorno a 5° C (41° F). Esta función ayuda a mantener los alimentos frescos durante un período de tiempo más prolongado.

La temperatura del compartimento puede mantenerse por debajo del ajuste de temperatura recomendado (Nevera: -19° C (- 2° F), refrigerador: 3° C (38° F))

2. Al escoger "Fresh", la temperatura del compartimento se mantiene entorno a 3° C (38° F). Esta función ayuda a mantener los alimentos frescos durante un período de tiempo más prolongado. La temperatura del compartimento puede mantenerse por debajo del ajuste de temperatura recomendado (Nevera: -19° C (- 2° F), refrigerador: 3° C (38° F)).

3. Al escoger "Chilled", la temperatura del compartimento se mantiene entorno a 1° C (34° F). Esta función también ayuda a mantener carnes y pescados frescos durante un período de tiempo más prolongado. La temperatura del compartimento puede mantenerse por debajo del ajuste de temperatura recomendado (Nevera: -19° C (- 2° F), refrigerador: 3° C (38° F)).

Deli

- piña
- limón
- aguacate
- patata

Fresh (Fresco)

- pepinos
- manzanas
- naranjas
- uvas
- calabacines
- maíz

Chilled (Helado)

- bistec
- quesos curados
- embutidos
- Tocino
- Hot-dog



Las frutas y verduras pueden dañarse al escoger el modo "chilled" (helado).

No guarde lechuga u otros productos similares en este compartimento.



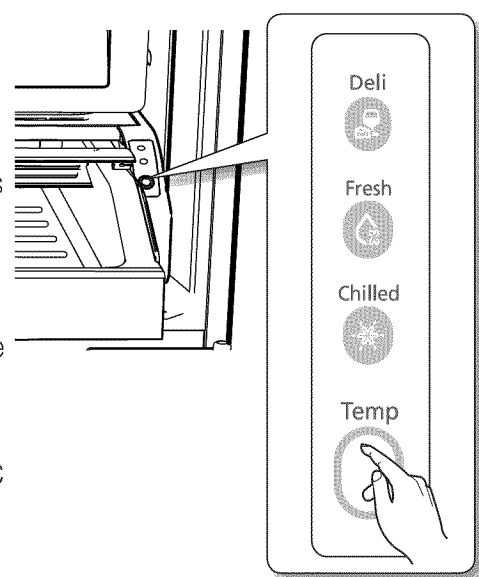
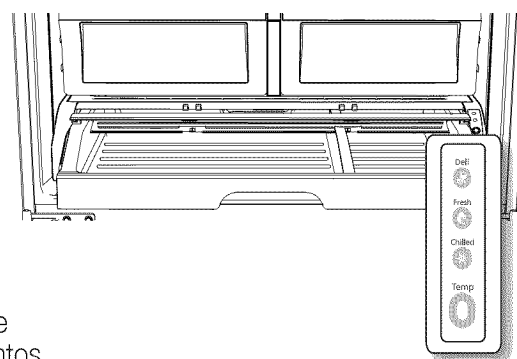
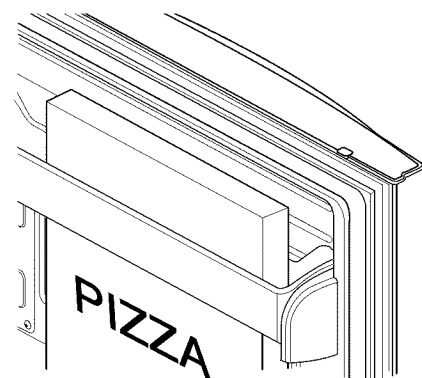
PRECAUCIÓN

No almacene botellas de cristal en este compartimento. Si se congelasen, podrían romperse y provocar

lesiones físicas.

USO DEL COMPARTIMENTO INCLINABLE

El compartimento inclinado puede usarse para almacenar pizzas de hasta 16" (406 mm) si la guarda como se indica en la ilustración.



Funcionamiento del refrigerador SAMSUNG de tres puertas

DESMONTAJE DE LOS ACCESORIOS DEL REFRIGERADOR

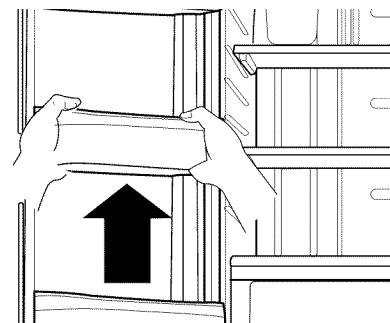
1. Compartimento de puerta y para lácteos

Para desmontarlo - Simplemente levántelo y extráigalo directamente.

Para volver a montarlo - Deslícelo sobre el emplazamiento deseado y presione hasta encajarlo en posición.

PRECAUCIÓN Si los compartimentos de la puerta no están montados de forma firme, pueden producirse lesiones. No permita a los niños jugar con los compartimentos. Las esquinas afiladas de los compartimentos pueden provocar lesiones.

 No monte un compartimento lleno de alimentos.

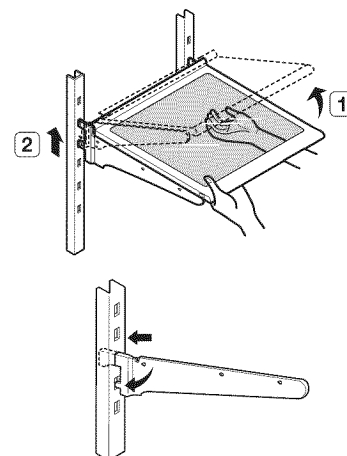


2. Parilla de cristal templado

Para desmontarlas - Incline hacia arriba la parte frontal de la parilla, en sentido (1) y levántela en sentido (2). Extraiga la parilla.

Para volver a montarlas - Incline hacia arriba la parte frontal de la parilla y guíe sus ganchos sobre las ranuras, a la altura deseada. A continuación, haga descender la parte frontal de la parilla de tal forma que los ganchos puedan entrar en las ranuras correspondientes.

PRECAUCIÓN Las parilla de cristal templado son pesadas. Ponga especial atención al desmontarlas.

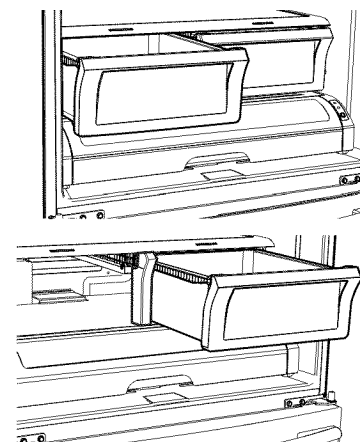


3. Gaveta para fruta y verdura

Para extraerla - Retire la gaveta todo lo posible. Incline hacia arriba la parte frontal de la gaveta y extráigalo directamente hacia fuera.

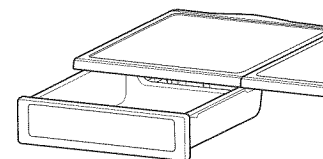
Para volver a colocarla - Introduzca la gaveta en los rieles del marco y empújela hacia atrás hasta su posición.

PRECAUCIÓN La parilla de cristal sobre la gaveta no está firmemente asegurada. Tenga cuidado al levantar. No abra la gaveta mientras el compartimento Cool Select Pantry™ está abierto. Hacerlo puede provocar que se arañe o se rompa su cubierta.



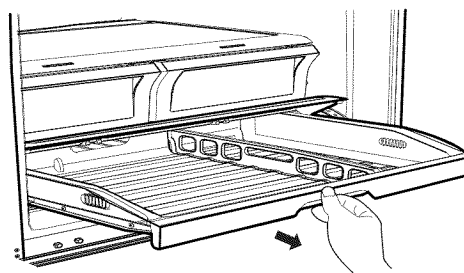
4. Gaveta para Carnes frías (RF26X)

Para extraerlo - Tire de la gaveta para Carnes frías hasta su posición de parada, levántela y pase dicha posición.



5. Cool Select Pantry™ (RF267)

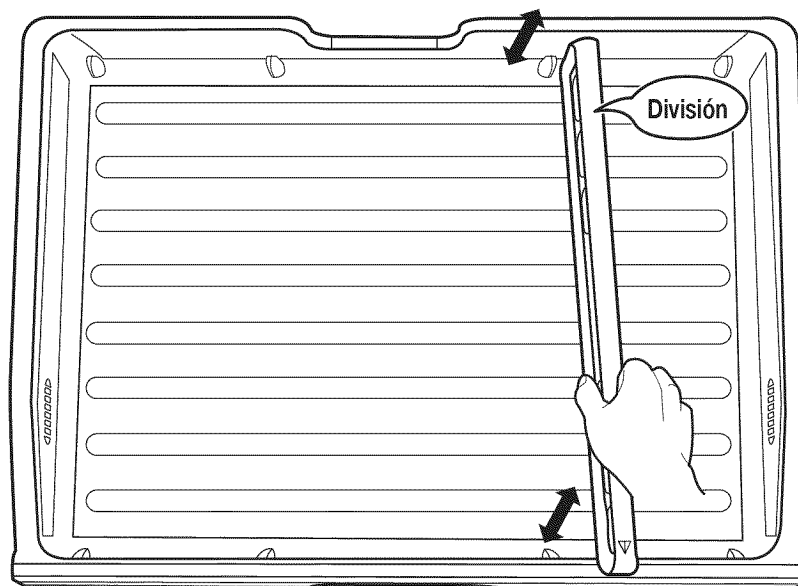
Para extraer el compartimento - Extraiga toda la extensión de la gaveta. Incline hacia arriba la cara frontal del compartimento y extráigalo directamente hacia fuera.



Para volver a colocar el compartimento - Empuje los rieles hacia la parte posterior del refrigerador. Coloque la gaveta dentro de los rieles y deslice el compartimento hasta su lugar.

Para retirar la división - Tire por completo del compartimento en toda su extensión y levante la cara frontal de la división para desengancharla de la parte posterior de la pared del compartimento y, a continuación, levántelo.

Para volver a colocar la división - Enganche la parte de atrás de la división sobre la parte posterior de la pared del compartimento y, a continuación, empuje hacia abajo la división.



USO DE LAS PUERTAS

Las puertas del refrigerador garantizan el cierre y sellado completo del mismo.

Cuando la puerta del refrigerador está sólo parcialmente abierta, se cerrará automáticamente. La puerta permanecerá como está si se deja abierta más de 7,6 cm (3 pulgadas).

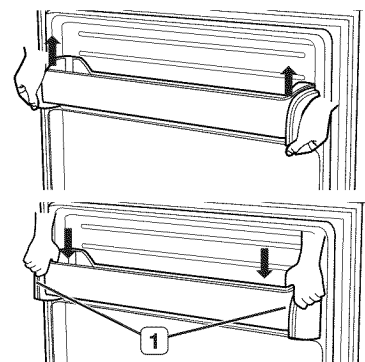
Funcionamiento del refrigerador SAMSUNG de tres puertas

DESMONTAJE DE LOS ACCESORIOS DE LA NEVERA

1. Compartimento inclinable

Para desmontarlo - Tire hacia arriba de los soportes (1) hasta que oiga el “clic” y retire el compartimento.

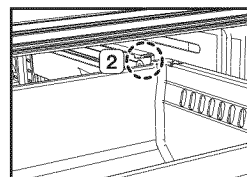
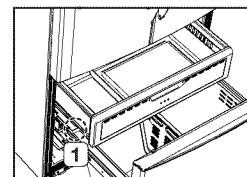
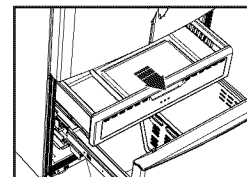
Para volver a montarlo- Enganche los extremos del compartimento en ambos soportes (1) y empuje hacia abajo hasta que encaje en su lugar.



2. Gaveta de extracción automática

Para extraerla - Retire la gaveta todo lo posible. Incline hacia la parte posterior de la gaveta y elévela directamente.

Para volver a colocarla - Sitúe la gaveta dentro de los rieles inclinándola hacia arriba. Haga descender la gaveta hasta que se encuentre en posición horizontal y deslícela hacia dentro.



3. Compartimento de la gaveta de la nevera

Para extraerlo- Retire la gaveta todo lo posible. Incline la parte posterior del compartimento y levántelo para extraerlo.

Para volver a colocarlo- Introduzca el compartimento dentro de los rieles de montaje.

Para quitar la división- Tire de la división hacia arriba.

Para volver a colocar la división - Enganche las esquinas superiores de la división en el hueco del compartimento.



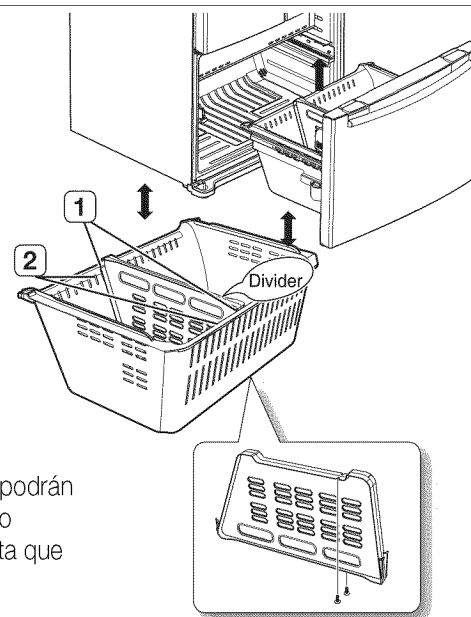
PRECAUCIÓN

Si quiere remover el divisor para limpiar la gaveta inferior, solamente reinstale el divisor usando dos tornillos despues de limpiar para prevenir que los niños ingresen a esta gaveta.



PRECAUCIÓN

No permita que los bebés o niños ingresen en la gaveta inferior. Ellos podrán dañarse gravemente así mismos o dañar el refrigerador. No use como asiento la puerta del congelado, la puerta puede romperse. No permita que los niños se trepen e ingresen al compartimento del congelador

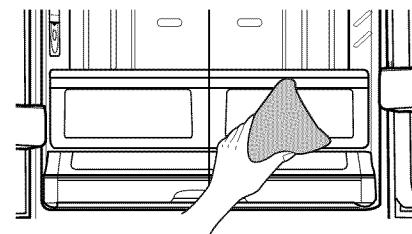


LIMPIEZA DEL REFRIGERADOR

Los cuidados de su refrigerador Samsung de tres puertas prolongarán su vida útil y ayudarán a mantenerlo libre de olores y gérmenes.

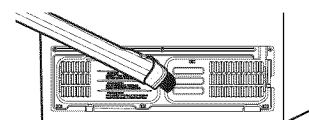
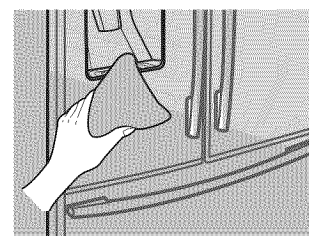
Limpieza del interior

Limpie las paredes interiores y los accesorios con un detergente suave y, a continuación, enjuague y seque con un paño suave. Puede extraer las gavetas y las parilla para llevar a cabo una limpieza minuciosa. Simplemente asegúrese de secar gavetas y parilla antes de volverlos a colocar en su sitio.



Limpieza del exterior

Limpie el panel digital y el panel de la pantalla de visualización con un paño limpio y seco. Pulverice agua sobre el paño de limpieza en lugar de hacerlo directamente sobre la superficie del refrigerador. Esto ayuda a asegurar una distribución uniforme de la humedad sobre la superficie. La superficie de las puertas, tiradores y carcasa deberán limpiarse con un detergente suave y secarse, a continuación, con un paño seco. Para mantener su electrodoméstico como el primer día, el exterior deberá abrillantarse una o dos veces al año.

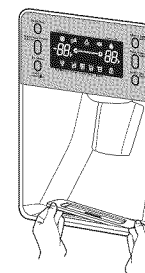


PRECAUCIÓN No use benceno, disolvente o Clorox™ para realizar la limpieza. Pueden dañar la superficie del electrodoméstico y provocar un incendio.

PRECAUCIÓN Las letras impresas en la pantalla de visualización podrían borrarse si el limpiador de acero inoxidable es aplicado directamente sobre la zona donde se encuentran dichas letras.

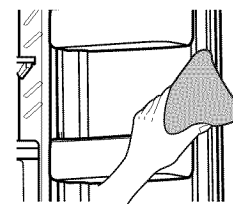
Limpieza del dispensador de Hielo/Agua

Tire de un extremo de la bandeja del dispensador y extráigala. Limpie el dispensador de hielo/agua con un paño limpio y suave.



Limpieza de los sellos de goma de la puerta

Si los sellos de goma están sucios, las puertas pueden no cerrar adecuadamente y el refrigerador no funcionar de forma eficiente. Mantenga las puertas libres de polvo y suciedad limpiándolas con detergente suave y un paño húmedo. Séquela con un paño limpio y suave.



PRECAUCIÓN No pulverice el refrigerador con agua mientras esté enchufado ya que podría ocasionar un choque eléctrico.
PRECAUCIÓN Por riesgo de incendio, no limpie el refrigerador con benceno, disolvente o detergente para vehículos.


Limpieza detrás del refrigerador


Para mantener cables y partes expuestas libres de polvo y acumulación de suciedad, aspire la parte trancera del electrodoméstico una o dos veces al año.

PRECAUCIÓN No desmonte la cubierta de atrás. Hacerlo podría ocasionar un choque eléctrico.

Funcionamiento del refrigerador SAMSUNG de tres puertas

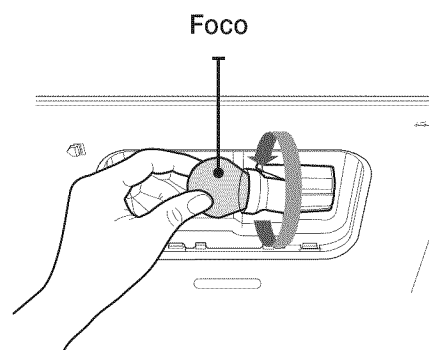
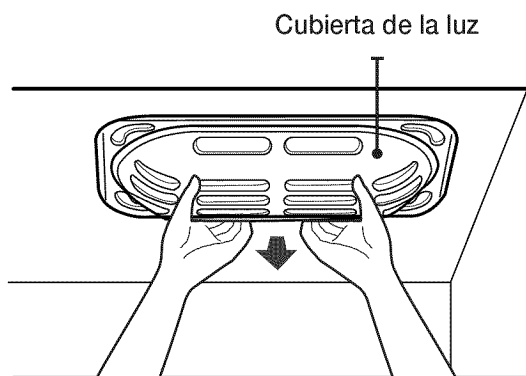
REEMPLAZO DE FOCOS INTERIORES

 **PRECAUCIÓN** Antes de reemplazar cualquier foco interior, desenchufe el refrigerador de la toma de pared. Si no está seguro de cómo reemplazar los focos tras leer estas instrucciones, póngase en contacto con su centro de asistencia para obtener ayuda.

 Existen focos de repuesto para la heladera a su disposición en su tienda de reformas o electrónica. Use focos de tamaño E26 y un máximo de 60 vatios. El cambio de la lámpara LED del refrigerador debe realizarlo un centro Samsung autorizado.

Reemplazo de los focos interiores de la gaveta de la nevera

1. Desenchufe el cable de alimentación de la toma de corriente.
2. Extraiga la gaveta extraíble. Examine la sección “Desmontar la gaveta de extracción automática” en la página 31.
3. Tire de la cubierta de la luz para desmontarla.
4. Gire el foco en sentido antihorario para extraerlo.
5. El montaje se realizará en el orden inverso al desmontaje.

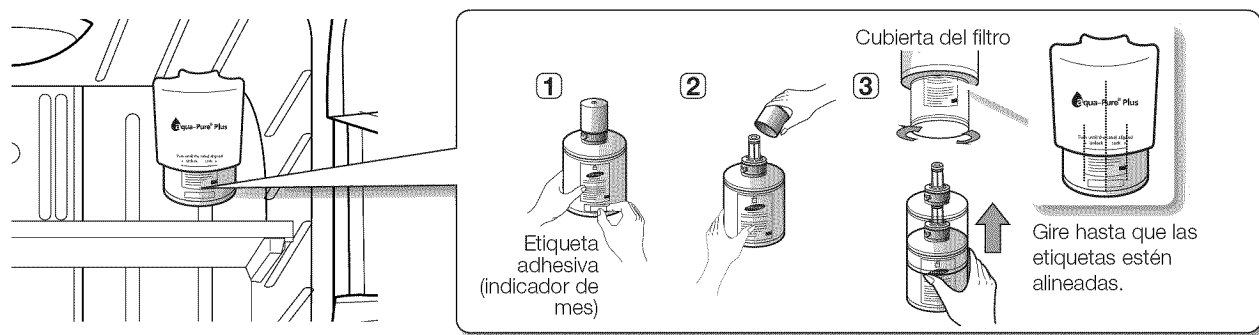


 **PRECAUCIÓN** No introduzca los dedos dentro de la cubierta. El foco podría estar caliente.

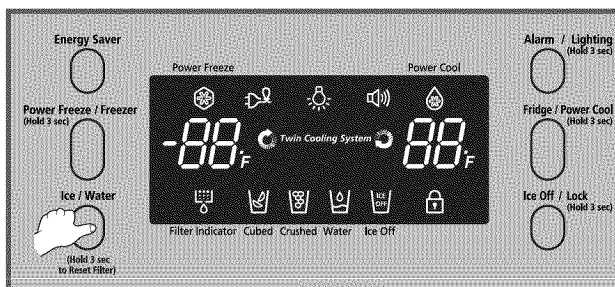
REEMPLAZO DEL FILTRO DE AGUA

La luz del “indicador de filtro” le permite saber cuándo ha llegado el momento de cambiar el cartucho del filtro de agua. Para que tenga tiempo de conseguir un filtro nuevo, la luz roja aparecerá justo antes de que la capacidad del filtro actual se agote. Cambiar el filtro a tiempo le permitirá obtener agua más fresca y pura de su refrigerador.

1. Tome un filtro de agua nuevo y coloque una etiqueta adhesiva indicadora de mes sobre el filtro como se indica. La fecha del adhesivo debe indicar seis meses a partir de la fecha actual. Por ejemplo, si ha reemplazado el filtro de agua en marzo, coloque la etiqueta “SEP” (septiembre) sobre el filtro para recordarle que debe reemplazarlo en dicho mes. Normalmente, la vida útil del filtro es de unos 6 meses.
2. Retire la tapa de protección del nuevo filtro y extraiga el antiguo.
3. Coloque e introduzca el nuevo filtro en su alojamiento. Gire lentamente el filtro de agua en sentido horario para alinearlos con la marca impresa situada en la cubierta, bloqueando el filtro en su posición. Asegúrese de alinear la marca de la etiqueta del filtro de agua con el centro de la impresión de la cubierta del filtro como se indica en la ilustración. Recuerde, no lo force.



4. Una vez completado el proceso, mantenga pulsado el botón Ice / Water (Hielo / Agua) durante 3 segundos para reiniciar el programa del filtro.



5. Por último, descarque seis vasos de agua aproximadamente a través del dispensador para limpiar el sistema de suministro de agua. Asegúrese de que el flujo de agua es transparente antes de comenzar a consumirla.
 - Asegúrese de enjuagar a fondo el dispensador, de lo contrario el agua podría gotear. Esto significa que aún queda aire en la toma.

NO use el dispensador de agua o hielo sin un cartucho de filtro de agua instalado, ya que la toma de agua podría bloquearse.

Pedido de filtros de agua de repuesto

Para reemplazar el filtro del agua, puede visitar su servicio técnico habitual o ponerse en contacto con el distribuidor de recambios de Samsung. Asegúrese de que el filtro de agua de repuesto dispone del logotipo SAMSUNG en la caja y en el propio filtro.

Enlace: <http://www.samsungparts.com>



Funcionamiento del refrigerador SAMSUNG de tres puertas

CUADRO DEL FILTRO DE AGUA

Hoja de datos de rendimiento para el modelo DA97-06317A de Samsung Uso del cartucho de repuesto DA29-00003G

Este sistema ha sido probado según los estándares 42 y 53 de la NSF/ANSI para la reducción de las sustancias que se enumeran a continuación. La concentración de las sustancias indicadas en la entrada de agua del sistema fue reducida a una concentración inferior o igual al límite permitido para la salida de agua del sistema, tal y como especifican en los estándares 42 y 53 de la NSF/ANSI.



El sistema probado y certificado por la NSF Internacional relativo al estándar 42 de la NSF/ANSI para la reducción del sabor y olor a cloro, partículas de clase I y relativo al estándar 53 de la NSF/ANSI para la reducción de quistes, turbiedad, plomo, amianto, benceno, Carbofuran, p-diclorobenceno y mercurio.

Para una capacidad de 300 galones (1 136 litros).

Tenga en cuenta que como la prueba se realizó bajo las condiciones estándar del laboratorio, el rendimiento real podría variar.

Reducción de contaminantes	Concentración media de entrada	NSF Specified Influent Challenge Concentration Units apply to each row	Reducción media (%)	Concentración media del producto en agua	Máx. concentración permitida del producto en agua	Exigencias de reducción de la NSF	Prueba de la NSF
Sabor y olor a cloro	2.1 mg/L	2.0 mg/L ± 10%	97.6	0.05 mg/L	No aplicable	> 50%	J-00029741
Partículas de clase I, tamaño de las partículas: < 0,5 a < 1um	10,566,666 pt/mL	Al menos 10,000 partículas/mL	98.4	171,833 pts/mL	No aplicable	> 85%	J-00029739
Quistes*	127,500 quistes/L	Mínimo 50,000 quistes/L	99.99	<1 quiste/L	No aplicable	> 99.95%	J-00031000
Turbiedad	10.5	11±1 NTU	98.6	0.15 NTU	0.5 NTU	> 0.5 NTU	J-00033223
Plomo: pH 6,5	153 ug/L	0.15±10%	99.3	<1ug/L	0.010 mg/L	10 ug/L	J-00039590
Plomo: pH 8,5	155 ug/L	0.15±10%	>99.4	<1ug/L	0.010 mg/L	10 ug/L	J-00039591
Mercurio: pH 6,5	5.97 ug/L	0.006±10%	96.6	<0.2 ug/L	0.002 mg/L	2 ug/L	J-00039589
Mercurio: pH 8,5	6.29 ug/L	0.006±10%	88.9	0.7 ug/L	0.002 mg/L	2 ug/L	J-00039586
Amianto	140 MFL	107 a 108 fibras > um de longitud	> 99	<0.17 MFL	No aplicable	99%	J-00029743
Benceno	13.88 ug/L	0.015±10%	96.4	<0.5 ug/L	0.005 mg/L	< 5 ug/L	J-0029751
Carbofuran	79.6 ug/L	0.190 mg/L	98.7	1 ug/L	0.001 mg/L	< 40 ug/L	J-00029750
p-diclorobenceno	237.5 ug/L	0.225±10%	99.8	0.525 ug/L	0.075 mg/L	< 75 ug/L	J-00029749

* Basados en el uso de ooquistes de *Cryptosporidium parvum*

CONSEJOS ÚTILES PARA EL ALMACENAJE DE ALIMENTOS

Alimentos	Refrigerador	Heladera	Consejos útiles de almacenaje
PRODUCTOS LÁCTEOS			
Mantequilla	2-3 semanas	6-9 meses	Envuélvala o tápela herméticamente.
Leche	1-2 semanas	No recomendado	Chequee la fecha. La mayoría de la leche y productos similares se venden en cajas de cartón fechadas que indican el período de máxima frescura de un producto. Vuelva a cerrar herméticamente mediante tapa o envoltorio. No devuelva el producto no consumido al recipiente original.
Queso en crema, derivados del queso y queso para untar	2-4 semanas	No recomendado	Chequee la fecha. Mantenga todos los quesos guardados herméticamente en un envoltorio con protección contra la humedad.
Queso curado (sin abrir)	3-4 meses	6 meses	
Queso curado (abierto)	2 meses	No recomendado	
Queso fresco	10-15 días	No recomendado	Check date code. Most yogurt, creams, and similar products are sold in date-coded cartons that indicate a product's peak freshness. Re-seal or cover tightly. Do not return unused portions to original container.
Nata	7-10 días	2 meses	
Crema agria	2 semanas	No recomendado	
Salsa Dip (abierta)	1 semanas	No recomendado	Check date code. Keep covered.
Yogur	10-14 días	No recomendado	
Yogur congelado	na	2 meses	
HUEVOS			
Huevos (frescos)	3-4 semanas	No recomendado	Chequee la fecha. Guarde los huevos en la parte más fría del refrigerador y dentro de su envase original.
Huevos (cocinados)	1 semanas	No recomendado	Guarde en envase con tapa.
Sobras de platos con huevo	3-4 días	No recomendado	Guarde en envase con tapa.
FRUTA FRESCA			
Manzanas	1 meses	No recomendado	No lave la fruta antes de introducirla en el refrigerador. Guárdela en bolsas o recipientes resistentes a la humedad. Envuelva la fruta cortada. Algunas frutas se ponen negras al introducirlas en el refrigerador.
Plátanos	2-4 días	No recomendado	
Melocotones, melones, peras, aguacates	3-5 días	No recomendado	
Bayas y cerezas	2-3 días	12 meses	
Albaricoques	3-5 días	No recomendado	
Uvas	2-5 días	n/a	
Piña (sin cortar)	2-3 días	No recomendado	
Piña (cortada)	5-7 días	6-12 meses	
Cítricos	1-2 semanas	No recomendado	Guárdelos sin cubrir.
Zumo	6 días	No recomendado	Chequee la fecha y vuelva a cerrar su recipiente original. No devuelva el producto no consumido al recipiente original.
Zumo congelado	Sólo para descongelar	12 meses	Chequee la fecha. No vuelva a congelarlo.

Funcionamiento del refrigerador SAMSUNG de tres puertas

Alimentos	Refrigerador	Heladera	Consejos útiles de almacenaje
PESCADO Y MARISCO			
Pescado			
Pescado azul (caballa, trucha, salmón)	1-2 días	2-3 meses	Manténgalo en su envoltorio original e introdúzcalo en la parte más fría del refrigerador. Introdúzcalo en plástico para congelados con protección contra el vapor y la humedad. Congélelo a 0° F (-18° C). Descongélalo en el refrigerador o bajo chorro de agua.
Pescado blanco (bacalao, lenguado, etc.)	1-2 días	6 meses	
Congelado o empanado	n/a	3 meses	
Marisco			
Gambas (crudas)	1-2 días	12 meses	Para congelarlos, introdúzcalos en un recipiente con protección contra el vapor y la humedad.
Cangrejo	3-5 días	10 meses	
Pescado o marisco congelado	2-3 días	3 meses	
CARNE			
Fresca, cruda			
Chuletas	2-4 días	6-12 meses	Chequee la fecha para usarla. Guárdela en la parte más fría del refrigerador, en su envase original. Introdúzcala en un recipiente extra que disponga de protección contra la humedad y el vapor para congelarla. Temperatura recomendada para el refrigerador: de 33°F a 36°F (0°C a 2°C), y para la heladera: de 0°C a 2°F (-18°C a -17°C)
Picada	1 día	3-4 meses	
Costillas	2-4 días	6-12 meses	
Bacón	1-2 semanas	1-2 meses	
Salchicha	1-2 días	1-2 meses	
Bistec	2-4 días	6-9 meses	
Aves	1 día	12 meses	
Charcutería	3-5 días	1 meses	
Cocinada			
Carne	2-3 días	2-3 meses	Chequee la fecha para usarla. Guárdela en la parte más fría del refrigerador, en su envase original. Introdúzcala en un recipiente que disponga de protección contra la humedad y el vapor para congelarla.
Aves	2-3 días	4-5 meses	
Jamón	1-2 semanas	1-2 meses	

Fuentes:

American Meat Institute Foundation. 1994. Páginas amarillas: respuestas a las preguntas más frecuentes acerca de carnes y aves. American Meat Institute Food Marketing Institute. 1999. The food keeper. Food Marketing Institute, Washington, D.C. F reeland-Graves, J.H. y G.C. Peckham. 1996. Foundations of food preparation, 6ª ed. Prentice-Hall, Inc. Englewood Cliffs, NJ. Hillers, V.N. 1993. Storing foods at home. Washington State University Cooperative Extension, Pullman, WA. Publ. EB 1205. National Restaurant Association. 2001. Be cool-chill out! Refrigerate promptly. National Restaurant Association Education Foundation's International Food Safety Council, Washington, D.C. USDA. 1997. Basics for handling food safely. U.S. Department of Agriculture, Food Safety and Inspection Service, Washington, D.C.

Solución de problemas

PROBLEMA	SOLUCIÓN
El refrigerador no funciona o no enfría lo suficiente.	<ul style="list-style-type: none"> • Verifique que la toma de alimentación esté correctamente conectada. • ¿Está ajustado en la temperatura correcta el control de temperatura del panel de visualización? Intente ajustarlo a una temperatura inferior. • ¿Está instalado el refrigerador bajo la luz directa del sol o junto a una fuente de calor? • ¿Está la parte posterior del refrigerador demasiado pegada a la pared y, por tanto, impidiendo la circulación del aire?
Los alimentos del refrigerador están congelados.	<ul style="list-style-type: none"> • ¿Está ajustado en la temperatura correcta el control de temperatura del panel de visualización? Intente ajustarlo a una temperatura más alta. • ¿Es muy baja la temperatura de la estancia? • ¿Ha introducido alimentos con un alto contenido de agua en la parte más fría del refrigerador? Intente mover estos artículos dentro del cuerpo del refrigerador en lugar de guardarlos en la gaveta Cool Select Pantry™.
Se oyen ruidos o sonidos inusuales.	<ul style="list-style-type: none"> • Verifique que el refrigerador está nivelado y es estable. • ¿Está la parte posterior del refrigerador demasiado pegada a la pared y, por tanto, impidiendo la circulación del aire? • ¿Ha caído algo en la parte posterior o bajo el refrigerador? • Se oyen sonidos repetitivos procedentes del interior del refrigerador. Es normal y ocurre debido a que varios accesorios se contraen y expanden en base a la temperatura del interior del refrigerador.
Las esquinas frontales y la sección con bisagras vertical del electrodoméstico están calientes, produciéndose condensación.	<ul style="list-style-type: none"> • Es normal que se produzca algo de calor ya que los sistemas anticondensación están instalados en la sección con bisagras vertical del refrigerador para evitar dicho fenómeno. • ¿Está entreabierta la puerta del refrigerador? Puede producirse condensación cuando la puerta permanece abierta durante un período de tiempo prolongado.
La máquina de hielo no está elaborando cubitos.	<ul style="list-style-type: none"> • ¿Ha esperado las 12 horas posteriores a la instalación de la toma de abastecimiento de agua antes de elaborar hielo? • ¿Está conectada la toma de agua y la válvula de corte abierta? • ¿Detuvo manualmente el funcionamiento de la máquina de hielo? • ¿Es demasiado alta la temperatura de la nevera? Intente ajustar la temperatura de la nevera a un nivel inferior.
Puede oír borbotado de agua procedente del refrigerador.	<ul style="list-style-type: none"> • Esto se considera normal. El borbotado procede de la circulación del líquido de refrigeración a través del refrigerador.
Se perciben malos olores procedentes del refrigerador.	<ul style="list-style-type: none"> • Verifique que no existen alimentos estropeados. • Los alimentos con un olor fuerte (por ejemplo, pescados) deben cubrirse herméticamente. • Limpie periódicamente su nevera chequeando y desechando alimentos en mal estado o sospechosos de estarlo.
Se forma escarcha en las paredes de la nevera.	<ul style="list-style-type: none"> • ¿Está bloqueado el conducto de ventilación? Elimine cualquier obstrucción para conseguir que el aire circule libremente. • Disponga suficiente espacio entre los alimentos almacenados para lograr una circulación de aire más eficiente. • ¿Está cerrada correctamente la puerta de la nevera?
No funciona el dispensador de agua.	<ul style="list-style-type: none"> • ¿Está conectada la toma de agua y la válvula de corte abierta? • ¿Está siendo aplastado o doblado el conducto de la toma de suministro de agua? Asegúrese de que el conducto esté libre y limpio de cualquier obstrucción. • ¿Está congelado el depósito de agua debido a que la temperatura del refrigerador es demasiado baja? Intente escoger un ajuste de temperatura mayor en el panel de visualización principal.

Garantía

REFRIGERADOR SAMSUNG (736 LITROS (26 PIES CÚBICOS) DE CAPACIDAD Y MAYOR)

GARANTÍA LIMITADA AL COMPRADOR ORIGINAL

Este producto de marca Samsung, suministrado y distribuido por Samsung Electronics America, Inc. (Samsung) y entregado nuevo, en su caja de cartón original al comprador original, está garantizado por Samsung ante defectos de fabricación en materiales y mano de obra durante un período de garantía limitado a:

Un (1) año para piezas y mano de obra del refrigerador
Cinco (5) años para piezas y mano de obra exclusivamente del sistema hermético de refrigeración.

(*Compresor, evaporador, condensador, deshumidificador, tuberías de conexión)

Esta garantía limitada comienza en la fecha original de compra y sólo es válido para productos adquiridos y usados en los Estados Unidos. Para recibir servicios bajo garantía, el comprador debe ponerse en contacto con Samsung para proceder a la resolución del problema y al procedimiento de reparación. El servicio de garantía sólo puede realizarse a través de un servicio técnico autorizado Samsung. Debe presentarse la factura original de venta bajo solicitud de Samsung o del servicio técnico autorizado Samsung, como prueba de compra.

Samsung reparará o reemplazará cualquier pieza considerada defectuosa a nuestra entera discreción y sin cargo, como queda estipulado en este documento, por piezas nuevas o reparadas durante el período de garantía limitada anteriormente especificado. Todas las piezas y productos reemplazados pasan a ser propiedad de Samsung, debiendo ser devueltos a Samsung. Las piezas y productos de repuesto quedarán aún bajo el período restante de garantía original, o noventa (90) días, el que sea más extenso.

La prestación de servicios en sitio será proporcionada durante el período de garantía de mano de obra, sujeta a disponibilidad dentro de los estados contiguos de los EE.UU. La prestación de servicios en sitio no está disponible en todas las zonas. Para recibir prestación de servicios en sitio, el producto debe estar despejado y ser accesible al nivel del piso por parte del personal de servicio. Si durante la prestación de servicios en sitio, no pudiera completarse la reparación, podría ser necesario el traslado, reparación y devolución posterior del producto. Si la prestación de servicios en sitio no está disponible, Samsung podría escoger, a nuestra entera discreción, proporcionar transporte a nuestra elección hasta y desde un servicio técnico autorizado Samsung. De lo contrario, el transporte hasta y desde el servicio técnico autorizado Samsung corre por cuenta del comprador.

Esta garantía limitada cubre defectos de fabricación en materiales y mano de obra bajo condiciones de uso normal, no comercial, del producto y no se aplicará en los siguientes casos, incluidos, aunque no limitados a: daños ocasionados durante el transporte; entrega e instalación; utilidades y usos para los que el producto no fue diseñado; producto o números de serie alterados; daños externos o de acabado exterior; accidentes, mal uso, negligencia, incendio, agua, rayos u otros fenómenos naturales; uso de productos, equipamiento, sistemas, utilidades, servicios, piezas, suministros, accesorios, aplicaciones, instalaciones, reparaciones, tuberías externas y fugas, cableado externo, disyuntores, fusibles o conectores no suministrados y autorizados por Samsung o que dañen este producto u ocasionen problemas de servicio; voltaje incorrecto, fluctuaciones y sobretensión del suministro eléctrico; adaptaciones y fallas, por parte del cliente, en el cumplimiento de las instrucciones de funcionamiento, limpieza, mantenimiento y de entorno que se incluyen y establecen en el manual de instrucciones; pérdida de alimentos por descomposición; consumibles incluyendo filtros y focos de iluminación.

NO EXISTEN OTRAS GARANTÍAS EXPLÍCITAS MÁS QUE LAS RECOGIDAS Y DESCRITAS ANTERIORMENTE, ASÍ COMO TAMPOCO EXISTEN OTRAS GARANTÍAS EXPLÍCITAS O IMPLÍCITAS, INCLUYENDO SIN LIMITACIÓN TODAS LAS GARANTÍAS IMPLÍCITAS DE COMERCIALIZACIÓN O IDONEIDAD PARA UN FIN CONCRETO QUE PUDIERAN RESULTAR PERTINENTES TRAS LOS PERÍODOS EXPLÍCITOS DE GARANTÍA INDICADOS CON ANTERIORIDAD. TAMPOCO SERÁN LEGALMENTE VINCULANTES PARA SAMSUNG OTRAS GARANTÍAS EXPLÍCITAS U OFRECIDAS POR PERSONAS, FIRMAS O EMPRESAS EN RELACIÓN A ESTE PRODUCTO. SAMSUNG NO SERÁ LEGALMENTE RESPONSABLE DE LA PÉRDIDA DE INGRESOS O BENEFICIOS, LA NO MATERIALIZACIÓN DE AHORROS U OTROS BENEFICIOS, O DE CUALQUIER DAÑO RESULTANTE ESPECIAL, ACCIDENTAL O INDIRECTO OCASIONADO POR EL USO, ABUSO O INCAPACIDAD DE USO DE ESTE PRODUCTO, INDEPENDIENTEMENTE DE LA TEORÍA LEGAL SOBRE LA QUE SE BASA LA RECLAMACIÓN, INCLUSO SI SAMSUNG HA SIDO ADVERTIDO DE LA POSIBILIDAD DE TALES DAÑOS. IGUALMENTE, CUALQUIER TIPO RECUPERACIÓN EXIGIDA A SAMSUNG NO SUPERARÁ EL PRECIO DE COMPRA DEL PRODUCTO VENDIDO POR SAMSUNG Y QUE HA OCASIONADO EL SUPUESTO DAÑO. SIN LIMITAR LO INDICADO ANTERIORMENTE, EL COMPRADOR ASUME TODO EL RIESGO Y RESPONSABILIDAD DE CUALQUIER PÉRDIDA, DAÑO O LESIÓN PERSONAL Y A SU PROPIEDAD, ASÍ COMO A TERCEROS Y SUS PROPIEDADES, OCASIONADAS POR EL USO, ABUSO O INCAPACIDAD DE USO DE ESTE PRODUCTO VENDIDO POR SAMSUNG Y NO PROVOCADAS DIRECTAMENTE POR LA NEGLIGENCIA DE SAMSUNG. ESTA GARANTÍA LIMITADA NO SERÁ VÁLIDA PARA PERSONAS DISTINTAS AL COMPRADOR ORIGINAL DE ESTE PRODUCTO, ES INTRANSFERIBLE Y ESTIPULA SU SOLUCIÓN EXCLUSIVA.

Ciertos estados no permiten limitaciones en relación a la duración de una garantía implícita o la exclusión o limitación de daños accidentales o indirectos, de tal forma que las mencionadas limitaciones o excepciones pueden no ser pertinentes. Esta garantía le otorga unos derechos legales específicos, e incluso puede conferirle otros derechos, distintos dependiendo del estado en que se encuentre.

Para obtener servicio de garantía, póngase en contacto con Samsung en:

CENTRO DE ASISTENCIA AL CLIENTE DE SAMSUNG

Samsung Electronics America, Inc. 400 Valley Road Suite 201 Mt. Arlington, NJ 07956

1-800-SAMSUNG (1-800-726-7864) y www.samsung.com



QUESTIONS OR COMMENTS?

COUNTRY	CALL	OR VISIT US ONLINE AT	WRITE
U.S	800-SAMSUNG (800-726-7864)	www.samsung.com	Samsung Electronics America, Inc. 400 Valley Road Suite 201 Mt. Arlington, NJ 07956
CANADA	800-SAMSUNG (800-726-7864)	www.samsung.com/ca	Samsung Electronics Canada Inc. Customer Service, 55 Standish Court Mississauga, Ontario L5R 4B2 Canada

Code No. DA68-01812E REV(0.0)