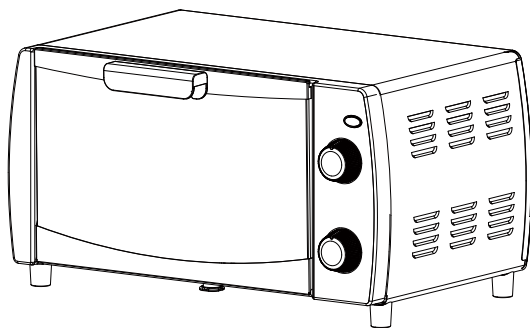


comfee'

TOASTER OVEN



INSTRUCTION MANUAL

CFO-BB102C

DIRECTORY

IMPORTANT SAFEGUARDS	EN-2
OPERATING INSTRUCTIONS.....	EN-6
USING YOUR TOASTER OVEN	EN-9
CARE AND CLEANING	EN-14
WARRANTY	EN-15

Read these instructions carefully before using your microwave oven, and keep it carefully.

If you follow the instructions, your oven will provide you with many years of good service.

SAVE THESE INSTRUCTIONS CAREFULLY

IMPORTANT SAFEGUARDS



When using electrical appliances, basic safety precautions should be followed, including the following:

1. READ ALL INSTRUCTIONS CAREFULLY.
2. Do not touch hot surfaces. Metal parts can become hot. Use any handles or knobs.
3. To protect against electrical shock, do not immerse cord, plug or appliance in water or other liquids.
4. This appliance should not be used by young children. Close supervision is necessary when any appliance is operated near children.
5. Unplug from outlet when not in use and before cleaning. Allow to cool before putting on or taking off parts.
6. Do not operate any appliance with a damaged cord or plug or after the appliance malfunctions or has been dropped or damaged in any manner. Return appliance to nearest authorized service facility for examination, repair, or adjustment.
7. The use of accessory attachments not recommended by the appliance manufacturer may cause injuries.
8. Do not use outdoors.
9. Do not let power cord hang over the edge of a table or countertop (where it can be accidentally pulled) or touch any hot surface.

10. Do not place appliance on or near a hot gas or electric burner, or in a heated oven.
11. Extreme caution must be used when moving an appliance containing hot oil or other hot liquids. Use extreme caution when removing tray or disposing of hot grease.
12. To turn the oven OFF rotate the Temperature Control Knob counterclockwise to the OFF position and turn the Timer Knob to the OFF position. Then unplug from wall outlet.
13. Do not use this appliance for other than its intended use as outlined in this manual.
14. Do not clean with metal scouring pads. Pieces can break off the pad and touch electrical parts involving a risk of electric shock.
15. Oversize foods or metal utensils must not be inserted into a toaster oven as they may create a fire or risk of electric shock.
16. A fire may occur if the toaster oven is covered or touching flammable material, including curtains, draperies, walls, and the like, when in operation. Do not store any item on top of the appliance when in operation.
17. Extreme caution should be exercised when using containers constructed of other than metal or glass.
18. Do not store any materials, other than the manufacturers recommended accessories, in this oven when not in use.
19. Do not place any of the following materials in the oven: paper, cardboard, plastic, or any other material that may catch fire or melt.

20. Do not cover any part of the oven with metal foil.
This will cause over- heating of the oven.
21. Do not pull, twist or otherwise abuse cord.
22. Never operate any appliance on top of a non-heat
-resistant or flammable surface.
23. Never leave appliance unattended when in use.
24. This appliance is not intended for commercial or
industrial use.
25. HOUSEHOLD USE ONLY.

SAVE THESE INSTRUCTIONS

This appliance is for HOUSEHOLD USE ONLY.

It may be plugged into an AC electrical outlet (ordinary household current). Do not use any other electrical outlet.

CORD PLUG

A short power supply cord is provided to reduce the hazards resulting from entanglement or tripping over a longer cord. This appliance has a polarized plug (one blade is wider than the other). To reduce the risk of electric shock, this plug is intended to fit into a polarized outlet only one way. If the plug does not fit into the outlet, reverse the plug and try again. If it still does not fit, contact a qualified electrician. Do not attempt to modify the plug in any way.

LINE CORD SAFETY TIPS

1. Never pull or yank on cord or the appliance.
2. To insert plug, grasp it firmly and guide it into outlet.
3. To disconnect appliance, grasp plug and remove it from outlet.

4. Before each use, inspect the line cord for cuts and/or abrasion marks. If any are found, this indicates that the appliance should be serviced and the line cord replaced.
5. Never wrap the cord tightly around the appliance, as this could place undue stress on the cord where it enters the appliance and cause it to fray and break.

Longer detachable power-supply cords or extension cords are available and may be used if care is exercised in their use. If a longer detachable power-supply cord or extension cord is used:

- 1) The marked electrical rating of the cord set or extension cord should be at least as great as the electrical rating of the appliance.
- 2) The cord should be arranged so that it will not drape over the countertop or tabletop where it can be pulled on by children or tripped over unintentionally.

DO NOT OPERATE APPLIANCE IF THE LINE CORD SHOWS ANY DAMAGE, OR IF APPLIANCE WORKS INTERMITTENTLY OR STOPS WORKING ENTIRELY.

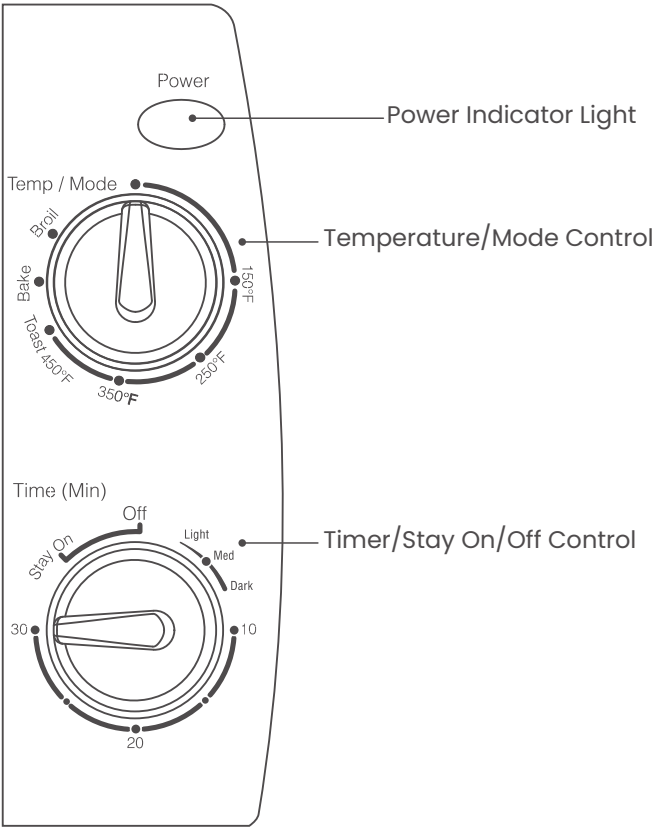
Before you use this product for the first time, please take a few moments to read these instructions and keep them for reference. Pay particular attention to the Safety Instructions provided. Please review the product service and warranty statements.

OPERATING INSTRUCTIONS

PRODUCT MAY VARY SLIGHTLY FROM ILLUSTRATIONS



USING THE CONTROLS:



The oven has a 30-minute timer with optional STAY ON feature, a Temperature/Mode control and a Power Indicator Light. Before attempting to operate the toaster oven, be sure to become familiar with the controls to ensure optimum performance.

Power Indicator Light:

The light will be illuminated when the oven is operating. The light will illuminate as soon as the timer is set or turned to the STAY ON position.

Timer:

The timer can be set by rotating the knob clockwise. When the timer is set the unit will be ON and operating. When the timer completes a cycle it will sound an audible bell and turn the unit OFF.



NOTE

When setting the timer to less than 5 minutes always rotate the Timer Knob past 10 minutes and then rotate back to the desired time. This will ensure a more accurate time setting.

To use the STAY ON feature, rotate the Timer Knob counterclockwise. The oven will remain ON until the Timer Knob is manually rotated back to the OFF position.

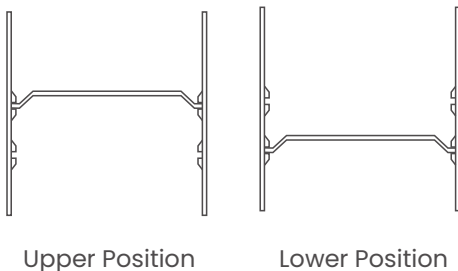
Temperature/Mode:

The temperature of the oven cavity may be controlled up to 450°F. Rotate the Temperature Knob clockwise to the desired setting. Both heating elements function when the unit is set from 150°F to 450°F setting. On the Bake setting only the bottom element functions. The oven temperature is maintained at approximately 400°F-425°F. On the Broil setting only the top element functions. The oven temperature is maintained at approximately 425°F-450°F.



Toast Mode:

This oven has a Toast setting on the Temperature Knob. Both elements will function on the Toast setting. The heating elements will cycle On and Off. See Toasting Instructions in the USING YOUR TOASTER OVEN section.



Baking rack positions:

This oven has two positions for the baking rack. The upper position should typically be used for broiling. The lower position is best suited for baking and toasting.

Exact positions are difficult to recommend due to personal preference. Experiment with different rack positions to suit individual taste.

NOTE

Unless toasting bread never place food directly on the baking rack. Always use baking pan.

USING YOUR TOASTER OVEN

Before use remove any packing materials and wipe the body of your toaster oven with a damp cloth. Remove baking rack and baking pan. Wash baking rack and pan in hot, soapy water, and dry thoroughly. Place oven on a flat counter or other stable surface. Position oven at least 3 inches away from wall or rear of counter. Make sure that nothing has been placed on top of the oven.

NOTE

Ensure that before plugging the toaster oven into the outlet, all controls are in the OFF position. Plug the cord into a 120 volt, 60 Hz AC outlet.

For the first time only, turn the Temperature Knob to 450°F and the Timer Knob to 15 minutes. This will burn off any residue or oils still on the oven or elements.

NOTE

The oven may lightly smoke during this process. This is normal for a new oven and should not last more than 10-15 minutes.

DO NOT WRAP THE CORD AROUND THE MAIN BODY OF APPLIANCE DURING OR AFTER USE.

Toasting:

1. Place bread on the baking rack and close oven door.
2. Turn Temperature Knob to the Toast setting (just past 450°F).
3. Select toast shade preference by turning the Timer Knob clockwise to desired toast setting (LIGHT, MED or DARK).

NOTE

When setting the timer to less than 5 minutes always rotate the Timer Knob past 5 minutes (Med) and then rotate back to the desired time. This will ensure an accurate time setting.

Never use the STAY ON position when toasting. The power light will be illuminated and both heating elements will operate while bread is toasting. When the timer has completed the cycle, a bell will sound and the unit will shut off. To stop the toasting cycle early, turn the Timer Knob counterclockwise to the OFF position.

Toasting Tips:

- Exact toasting settings are difficult to recommend due to personal preference. Experiment to suit individual taste.
- Results will vary depending on a particular type of bread's moisture, thickness and texture.
- Remember that thicker breads, toaster pastries and any foods containing fillings will require a longer toasting time.
- Remove bread promptly after toasting to avoid over-toasting by residual heat.
- Any pastry or foods containing fillings will be very hot. Always remove with caution.

Baking:

1. Set the Temperature Knob to the Bake setting.
2. Rotate Timer Knob clockwise to 5 minutes (Med) and allow oven to preheat.
3. While oven is preheating, place food on multipurpose pan. When timer bell sounds and oven has turned OFF, place the pan atop the baking rack inside the oven.

CAUTION

INSIDE OF OVEN WILL BE HOT. USE OVEN MITTS OR HOT PADS TO PREVENT BURNING.

4. Close oven door. For baking times of 30 minutes or less rotate the Timer Knob clockwise to the desired time. The power light will be illuminated. Only the bottom element will function during the Bake setting.
5. When timer bell sounds and unit is OFF, open door and remove food from oven.
6. For longer baking times, rotate the Timer Knob counterclockwise to the STAY ON setting. In the STAY ON setting the unit will remain ON and not shut OFF until the Timer Knob is manually rotated back to the OFF position.

NOTE

Always monitor food very carefully to avoid overcooking.

Broiling:

1. Place food to be broiled in the baking pan and set pan on top of baking rack inside the oven. NEVER place food directly on the baking rack. Close oven door.
2. Rotate the Temperature Knob clockwise to the Broil setting.
3. For items requiring a broiling time of 30 minutes or less rotate the Timer Knob clockwise to the desired time. The power light will be illuminated. Only the top element will function during broiling. When the timer has completed the cycle, a bell will sound and the unit will shut off.
4. For longer broiling times, rotate the Timer Knob counterclockwise to the STAY ON setting. In the STAY ON setting the unit will remain ON and not shut OFF until the Timer Knob is manually rotated back to the OFF position.
5. For even broiling, turn food over when it is about half cooked.



NOTE

Always monitor food very carefully when broiling to avoid overcooking.

USEFUL HINTS

1. Smoke may appear during broiling or baking. When broiling, it is always recommended to cut off excess fat on food before placing it in oven to minimize smoke. If oven smokes during baking, this usually means the banking pan is dirty and requires cleaning. See CARE AND CLEANING on page EN-14.
2. Some items may produce condensation on the oven door. This is normal and will quickly disappear.
3. Frozen foods and thick meat will take longer to cook.
4. To prevent heat loss, avoid opening the door during cooking unless absolutely necessary.
5. When toasting, remember that frozen bread or multiple slices will require a longer toasting time.
6. Except when toasting, NEVER place items directly on baking rack. Always use the multipurpose pan.
7. Remove all plastic and paper wrappings from food before cooking.
8. Always make sure there is adequate space between top of food being cooked and upper heating element.
9. When setting the timer to less than 5 minutes always rotate the Timer Knob past 5 minutes (Med) and then rotate back to the desired time. This will ensure an accurate time setting.

Use these oven temperatures and food suggestions as a guide. If using a packaged food, always follow the time and temperature recommendation on the package label. The exact cooking time and temperature will be effected by desired doneness, thickness of food, starting temperature, pan shape and material and other factors.

150°F to 250°F	Warm previously baked breads Keep pancakes, French toast, waffles warm Keep main dishes warm for serving up to 1 hour later
350°F	Cookies, refrigerated tubes or prepared dough Cook 9 to 13 minutes
375°F	Frozen toaster pastries Place on baking tray, cook 3 to 4 minutes Rolls, refrigerated tubes such as crescent or dinner rolls Cook 11 to 13 minutes
400°F	Biscuits, refrigerated tubes Bake 8 to 11 minutes Frozen dinner rolls Bake 7 to 9 minutes Pot Pie Slit top crust, place on baking tray Bake 30 to 35 minutes
450°F	Potatoes

Oven Baked Potatoes

Preheat oven to 450°F.

Scrub 1 to 4 potatoes and pierce to allow steam to escape. Rub potatoes lightly with vegetable oil or butter. Place on pan. Cook for 60-75 minutes or until potatoes are done. To test for doneness, squeeze with an oven mitt. Potatoes should give easily.

Optional Toppings: Slit hot oven baked potatoes and top with your choice of these toppings, just before serving.

Butter	Sour cream
Minced chives or other fresh herbs	Chopped green onions
Chopped, hot steamed broccoli	Shredded Cheddar cheese
Prepared chili, heated	Crisp, crumbled bacon
Diced, fully-cooked ham	

Individual Pizzas Gone Wild

- 2 English Muffins, split and toasted
- ¼ cup sun dried tomato pesto spread or presto
- ¼ cup chopped, drained roasted red peppers
- ¼ cup marinated artichoke hearts, drained and chopped
- ¼ cup sliced wild mushrooms
- 1 tablespoon minced flat leaf parsley, basil or oregano
- ½ cup shredded pizza blend cheese

Preheat oven to 350°F.

Place toasted muffins, split side up, on baking pan. Spread pesto evenly over the top of each pizza. Top each with roasted red peppers, artichoke hearts, mushrooms and herbs. Sprinkle top with cheese. Cook 3 to 5 minutes or until hot and cheese is melted.

Makes 2 servings.

Garlic Cheese Bread

- 6 thick slices French or Italian bread, about 1-inch thick, toasted
- ¼ cup butter, softened
- ¼ cup shredded Parmesan cheese
- ¼ cup shredded Mozzarella cheese
- ¼ teaspoon garlic powder

Preheat oven to 450°F.

Arrange toasted bread in a single layer on baking pan.

Combine butter, cheese and garlic powder in a small mixing bowl. Stir to blend well. Spread butter – cheese mixture over top of each slice of bread.

Cook 2 to 4 minutes or until cheese mixture is hot and bubbly.

Makes 6 servings.

CARE AND CLEANING

This appliance requires little maintenance. It has no user serviceable parts. Do not try to repair it yourself. Refer to qualified personnel if servicing is needed.

TO CLEAN: Unplug unit and allow it to cool fully. After each use, when oven has cooled, clean food particles off with a damp sponge or cloth. **Never immerse toaster oven in water or any other liquid.**

Do not use abrasive cleaners, as they may damage unit.

For more thorough cleaning, wash rack and baking pan in hot, soapy water. Before removing rack or baking pan, make sure unit is unplugged and has cooled thoroughly.

ONE YEAR LIMITED WARRANTY

This product carries a warranty stating that it will be free from defects in material and workmanship for a period of one year from the date of purchase. This warranty is valid for the original retail purchaser from the date of initial retail purchase and is not transferable. Keep your original sales receipt.

IMPORTANT:

1. This warranty does not cover damages resulting from accident, misuse or abuse, lack of reasonable care, the affixing of any attachments not provided with the product, loss of parts, or subjecting the appliance to any but the specified voltage. (Read directions carefully.)
2. This warranty is void if this product is ever used for other than private household purposes.
3. This warranty is void if this product is ever used outside of United State.

If service is required during the warranty period, properly pack your unit. We recommend using the original carton and packing materials. If additional assistance is needed, please contact customer assistance at:

Midea America (Canada) Corp.
Markham, ON L3R 8V2
1-866-646-4332

Midea America Corp. expressly disclaims all responsibility for consequential damages or incidental losses caused by use of the appliance. Some states do not allow this exclusion or limitation of incidental or consequential losses so the foregoing disclaimer may not apply to you. This warranty gives you specific legal rights, and you may also have other rights which may vary from state to state.

The serial number can be found on the back cabinet. We suggest that you record the serial number of your unit in the space below for future reference.

Model Number: _____

Serial Number: _____

SAVE THIS FOR YOUR RECORDS

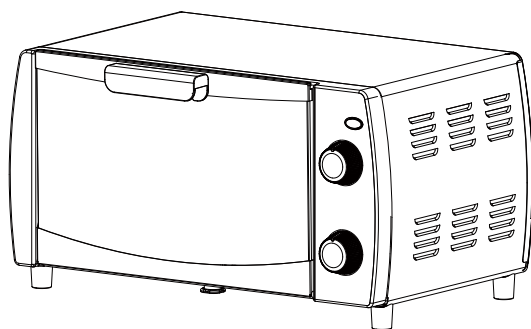
Made in China



Midea America (Canada) Corp.
Markham, ON L3R 8V2
1-866-646-4332

comfee'

FOUR GRILLE-PAIN



MANUEL D'UTILISATION

CFO-BB102C

CONTENU

MISES EN GARDE IMPORTANTES.....	FR-2
INSTRUCTIONS D'UTILISATION.....	FR-6
UTILISATION DE VOTRE FOUR GRILLE-PAIN.....	FR-9
SOIN ET NETTOYAGE	FR-15
GARANTIE LIMITÉE D'UN AN	FR-16

Lire attentivement ces instructions avant d'utiliser votre four à micro-ondes et conservez-les soigneusement.

Si vous suivez les instructions, votre four vous fournira de nombreuses années de loyaux services.

CONSERVEZ PRECIEUSEMENT CES INSTRUCTIONS

MISES EN GARDE IMPORTANTES



Lorsque vous utilisez des appareils électriques, vous devez respecter des précautions de base en matière de sécurité, y compris (mais sans s'y limiter) les suivantes :

1. LIRE ATTENTIVEMENT TOUTES LES INSTRUCTIONS.
2. Ne pas toucher les surfaces chaudes. Les pièces métalliques peuvent devenir chaudes. Utiliser les poignées ou les manches.
3. Pour éviter tout risque d'électrocution, ne pas plonger le cordon, la fiche ou l'appareil dans l'eau ou d'autres liquides.
4. Cet appareil ne doit pas être utilisé par de jeunes enfants. Une surveillance étroite est nécessaire lorsqu'un appareil est utilisé à proximité d'enfants.
5. Débrancher l'appareil de la prise électrique lorsqu'il n'est pas utilisé ou avant de le nettoyer. Laisser refroidir l'appareil avant de mettre ou d'enlever des accessoires.
6. Ne pas utiliser l'appareil si la fiche ou le cordon est endommagé ou après un mauvais fonctionnement, une chute ou s'il a été endommagé d'une quelconque manière. Le renvoyer à un centre de service autorisé pour examen, réparation ou réglage.
7. L'utilisation d'accessoires non recommandés par le fabricant de l'appareil peut causer des blessures.
8. Ne pas utiliser l'appareil en extérieur.
9. Ne pas laisser le cordon d'alimentation pendre du bord d'une table ou d'un banc (où il peut accidentellement glisser) ni toucher une surface chaude quelconque.

10. Ne pas placer l'appareil sur ou près d'un brûleur électrique ou au gaz chaud, ou d'un four chauffé.
11. Une extrême prudence s'impose lorsque vous déplacez un appareil contenant de l'huile ou d'autres liquides chauds. Faire preuve d'une extrême prudence lorsque vous retirez un plateau ou éliminer des matières grasses chaudes.
12. Pour éteindre le four, tourner la molette de réglage de la température dans le sens inverse des aiguilles d'une montre et la molette du minuteur sur la position OFF. Ensuite, débrancher la prise électrique.
13. Ne pas utiliser cet appareil à d'autres fins que celles prévues, comme indiqué dans ce document.
14. Ne pas nettoyer avec des tampons à récurer métalliques. Des fragments peuvent se détacher du tampon et toucher des parties électriques, entraînant un risque d'électrocution.
15. Les aliments trop grands ou les ustensiles métalliques ne doivent pas être introduits dans un four grille-pain, car ils peuvent entraîner un risque d'incendie ou d'électrocution.
16. Lors de son fonctionnement, un incendie peut se produire si le four grille-pain est couvert ou est en contact avec des matériaux inflammables, notamment des rideaux, des draperies, des murs, etc. Lors de son fonctionnement, éviter de placer des objets sur l'appareil.
17. Faire preuve d'extrême prudence lors de l'utilisation de récipients fabriqués dans des matériaux autres que le verre ou en métal.
18. Ne pas ranger d'autres objets que les accessoires recommandés par le fabricant dans ce four lorsque vous ne l'utilisez pas.

19. Éviter de ranger les matériaux suivants dans le four: papier, carton, plastique ou tout autre matériau qui peut causer un incendie ou fondre.
20. Ne pas couvrir les parois du four avec des feuilles métalliques. Le four peut surchauffer.
21. Ne pas tirer, tordre ou maltraiter le cordon.
22. Ne jamais utiliser l'appareil sur une surface non résistante à la chaleur ou inflammable.
23. Lors de son fonctionnement, ne pas laisser l'appareil sans surveillance.
24. Cet appareil n'est pas conçu pour une utilisation industrielle ou commerciale.
25. USAGE MÉNAGER UNIQUEMENT.

CONSERVER LES PRÉSENTES INSTRUCTIONS

Cet appareil est conçu

UNIQUEMENT POUR UN USAGE MÉNAGER.

Il peut être branché à une prise électrique secteur (réseau électrique ménager ordinaire). Ne pas brancher l'appareil à toute autre prise.

FICHE DU CORDON

Un cordon d'alimentation court est fourni pour réduire les risques découlant de l'enchevêtrement ou du trébuchement sur un cordon plus long.

Cet appareil est muni d'une fiche polarisée (une lame est plus large que l'autre). Pour réduire le risque d'électrocution, cette fiche est conçue pour s'adapter à une prise électrique polarisée dans un seul sens. Si la fiche ne s'adapte pas à la prise électrique, inversez la fiche et réessayez. Si elle ne s'adapte toujours pas, contactez un électricien qualifié. N'essayez pas de modifier la fiche d'une quelconque manière.

CONSEILS DE SÉCURITÉ SUR LE CORDON DE RACCORDEMENT

1. Ne tirez jamais sur le cordon ou l'appareil.

2. Pour insérer la fiche, saisissez-la fermement et guidez-la dans la prise.
3. Pour débrancher l'appareil, saisissez la fiche et retirez-la de la prise électrique.
4. Avant chaque utilisation, examinez le cordon de raccordement pour des coupures ou des marques d'abrasion. Si c'est le cas, l'appareil doit être réparé et le cordon de raccordement remplacé.
5. N'enroulez jamais le cordon autour de l'appareil, car vous pourriez exercer des contraintes excessives sur le cordon à l'endroit où il entre dans l'appareil, l'effiloche et le rompre.

Des cordons d'alimentation ou des rallonges électriques plus longs et détachables sont disponibles et peuvent être utilisés en faisant preuve d'une grande attention lors de leur utilisation. Si un cordon d'alimentation détachable plus long ou une rallonge sont utilisés :

- 1) La puissance électrique indiquée sur le cordon ou la rallonge doit être au moins aussi élevée que la puissance électrique de l'appareil, et
- 2) Le cordon doit être acheminé de manière à ce qu'il ne passe pas sur le plan de travail ou la table où il pourrait être tiré par des enfants ou sur lequel une personne peut trébucher sans le vouloir.

NE PAS UTILISER L'APPAREIL SI LE CORDON D'ALIMENTATION PRÉSENTE DES DOMMAGES, OU SI L'APPAREIL FONCTIONNE PAR INTERMITTENCE OU CESSE DE FONCTIONNER COMPLÈTEMENT.

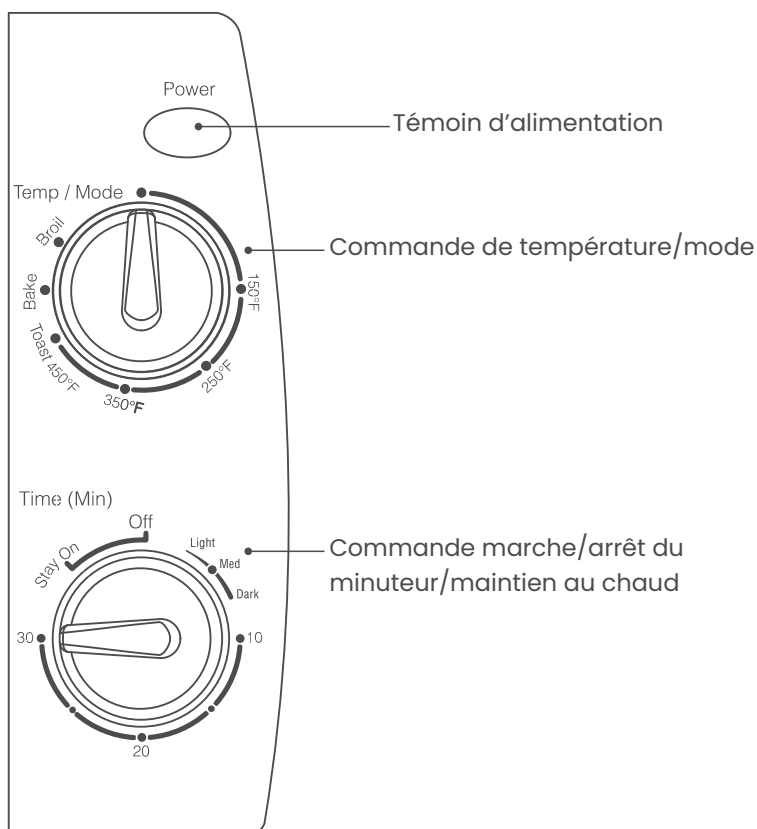
Avant d'utiliser ce produit pour la première fois, veuillez prendre quelques instants pour lire ces instructions et les conserver pour référence. Portez une attention particulière aux consignes de sécurité fournies. Veuillez consulter les déclarations de service et de garantie du produit.

INSTRUCTIONS D'UTILISATION

L'ASPECT DU PRODUIT RÉEL PEUT ÊTRE LÉGÈREMENT DIFFÉRENT SUR LES ILLUSTRATIONS.



UTILISATION DES COMMANDES :



Le four est équipé d'un minuteur de 30 minutes avec une fonction de Stay On, une commande de température/mode et un témoin d'alimentation. Avant d'utiliser le four grille-pain, veuillez à vous familiariser avec les différents contrôles pour garantir un fonctionnement optimal.

Témoin d'alimentation :

le témoin est allumé lorsque le four est en fonctionnement. Le témoin s'allume dès que le minuteur est réglé ou tourné sur la position de Stay On.

Minuteur :

réglez le minuteur en tournant la molette dans le sens des aiguilles d'une montre. Une fois le minuteur réglé, l'appareil est allumé et prêt à la cuisson. Lorsque le temps réglé sur le minuteur expire, l'appareil fait retentir un son audible de cloche et s'éteint.



REMARQUE

Lorsque vous réglez le minuteur pour une durée de moins de 5 minutes, tournez toujours la molette de réglage sur 10 minutes, puis revenez sur le délai désiré. Le réglage du minuteur sera ainsi plus précis.

Pour utiliser la fonction de STAY ON, tournez la molette du minuteur dans le sens inverse des aiguilles d'une montre. Le four restera allumé tant que la molette du minuteur n'est pas tournée sur la position OFF.

Température/Mode :

la température à l'intérieur du four peut atteindre environ 450 °F. Tournez la molette de température dans le sens d'une aiguille d'une montre sur le réglage désiré. Les deux éléments chauffants fonctionnent lorsque la température du four est réglée entre 150 et 450 °F environ.

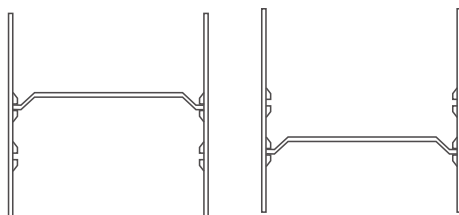
Sur la position de réglage Bake, seul l'élément chauffant du bas fonctionne. La température du four est maintenue entre 400 et 425 °F.

Sur la position de réglage Broil, seul l'élément chauffant du haut fonctionne. La température du four est maintenue entre 425 et 450 °F.

Mode grille-pain

ce four dispose d'une fonction grille-pain. Pour cela, réglez la molette de température sur la position Toast. Les deux éléments chauffants fonctionnent lorsque la température est réglée sur la position Toast. Les éléments chauffants s'éteignent et s'allument par cycle.

Reportez-vous aux instructions concernant le grille-pain au paragraphe « UTILISATION DE VOTRE FOUR GRILLE-PAIN ».



Position supérieure Position inférieure

Position de la grille de cuisson :

ce four dispose de deux positions pour la grille de cuisson. La position supérieure devrait être utilisée pour le grillage. La position inférieure est plus adaptée pour la cuisson et la fonction grille-pain.

Il est difficile de recommander une position exacte en raison des différentes préférences personnelles. Essayez les deux positions pour déterminer celle qui correspond à votre goût personnel.



REMARQUE

à moins de griller du pain, ne placez jamais les aliments directement sur la grille de cuisson. Utilisez toujours un plat de cuisson.

UTILISATION DE VOTRE FOUR GRILLE-PAIN

Avant utilisation, retirez les emballages et essuyez le corps de votre four grille à l'aide d'un chiffon humide. Retirez la grille et le plat de cuisson.

Nettoyez la grille et le plat de cuisson à l'eau chaude et savonneuse, puis séchez-les soigneusement. Placez le four sur un plan de travail plat ou une autre surface stable. Écartez le four d'au moins 8 cm du mur ou de l'arrière du plan de travail. Veillez à ne rien placer sur le four.



REMARQUE

Avant de brancher le four grille-pain à la prise électrique, vérifiez que toutes les commandes sont sur leur position OFF. Branchez le cordon à une prise électrique (120 V CA, 60 Hz).

Uniquement à la première utilisation, tournez la molette de réglage de la température sur 450 °F et la molette du minuteur sur 15 min. Vous brûlerez ainsi tous les résidus gras ou d'huile présents encore dans le four ou sur les éléments chauffants.



REMARQUE

le four peut dégager une légère fumée pendant cette opération. Il s'agit d'un comportement normal pour un four neuf et cette condition ne devrait pas durer plus de 10 à 15 minutes.

N'ENROULEZ PAS LE CORDON AUTOUR DU CORPS PRINCIPAL DE L'APPAREIL PENDANT OU APRÈS UTILISATION.

Griller du pain :

1. Placez du pain sur la grille de cuisson et refermez la porte du four.
2. Tournez la molette de température sur la position de réglage Toast (juste après 450 °F).
3. Sélectionnez votre brunissage préféré (léger, moyen, sombre) en tournant la molette du minuteur sur la position de grillage désiré correspondante (Light, Med ou Dark).



REMARQUE

Lorsque vous réglez le minuteur pour une durée de moins de 5 minutes, tournez toujours la molette de réglage sur 5 min (MED), puis revenez sur le temps désiré. Le réglage du minuteur sera ainsi plus précis.

N'utilisez jamais la position STAY ON lorsque vous grillez du pain.

Le témoin d'alimentation s'allumera et les deux éléments chauffants fonctionneront pour griller le pain. Une fois le temps du minuteur expiré, un son de cloche retentira et l'appareil s'éteindra. Pour interrompre immédiatement le grillage du pain, tournez la molette du minuteur dans le sens inverse des aiguilles d'une montre sur la position OFF.

Conseils pour griller du pain :

- Il est difficile de recommander un réglage de brunissage en raison des différentes préférences personnelles. Seule l'expérience vous permettra de le déterminer.
- Les résultats varient en fonction du type d'humidité, de l'épaisseur et de la texture du pain.
- Rappelez-vous que les pains plus épais, les préparations pour grille-pain et tous les aliments remplis de garnitures nécessiteront un temps de grillage plus long.
- Une fois grillé, retirez immédiatement le pain pour éviter de le faire entièrement brûler par la chaleur résiduelle.
- Toute préparation ou tout aliment rempli de garnitures seront très chauds. Prenez toujours toutes les précautions nécessaires lorsque vous les sortez du four.

Cuisson :

1. Réglez la molette de température sur la position Bake.
2. Tournez la molette du minuteur dans le sens des aiguilles d'une montre sur 5 min (Med) pour préchauffer le four.
3. Durant le préchauffage, placez l'aliment sur le plat multi-usage. Dès que le son de cloche du minuteur retentit et que le four s'éteint, placez le plat sur la grille de cuisson dans le four.



ATTENTION

L'INTÉRIEUR DU FOUR SERA CHAUD. UTILISEZ DES MANIQUES OU DES GANTS DE CUISINE POUR ÉVITER DE VOUS BRÛLER.

4. Fermez la porte du four. Pour des temps de cuisson de 30 minutes ou inférieurs, tournez la molette du minuteur dans le sens des aiguilles d'une montre sur le temps désiré. Le témoin d'alimentation s'allume. Seul l'élément chauffant du bas fonctionne pour ce mode de cuisson.
5. Dès que le son de cloche retentit et l'appareil s'éteint, ouvrez la porte et retirez l'aliment du four.

6. Pour des temps de cuisson plus longs, tournez la molette du minuteur dans le sens inverse des aiguilles d'une montre sur la position STAY ON. Dans cette position, l'appareil reste allumé tant que la molette du minuteur n'est pas tournée sur la position OFF.



REMARQUE

Surveillez toujours la cuisson de l'aliment pour éviter qu'il brûle.

Grillage :

1. Mettez les aliments à griller dans le plat et placez-le sur la grille de cuisson à l'intérieur du four. Ne mettez jamais les aliments directement sur la grille de cuisson. Fermez la porte du four.
2. Tournez la molette de température sur la position Broil.
3. Pour des temps de grillage de 30 minutes ou inférieurs, tournez la molette du minuteur dans le sens des aiguilles d'une montre sur le temps désiré. Le témoin d'alimentation s'allume. Seul l'élément chauffant du haut fonctionne pendant le grillage. Une fois le temps du minuteur expiré, un son de cloche retentira et l'appareil s'éteindra.
4. Pour des temps de grillage plus longs, tournez la molette du minuteur dans le sens inverse des aiguilles d'une montre sur la position STAY ON. Dans cette position, l'appareil reste allumé tant que la molette du minuteur n'est pas tournée sur la position OFF.
5. Pour une cuisson uniforme, retournez les aliments lorsqu'ils sont à moitié cuits.



REMARQUE

surveillez toujours le grillage de l'aliment pour éviter qu'il ne brûle.

CONSEILS PRATIQUES

1. De la fumée peut se dégager pendant le grillage ou la cuisson. Lors du grillage, nous vous recommandons toujours de couper le gras de l'aliment en excès avant de le placer dans le four pour réduire le dégagement de fumée. Si le four dégage de la fumée pendant la cuisson, cela signifie que le plat de cuisson est sale et doit être nettoyé. Reportez-vous au paragraphe « SOIN ET NETTOYAGE » à la page FR-15.
2. Des aliments peuvent produire de la condensation sur la porte du four. C'est normal. La condensation disparaîtra rapidement.
3. Les aliments congelés et les morceaux de viande épais peuvent nécessiter une cuisson plus longue.

4. Pour éviter la perte de chaleur, n'ouvrez pas la porte du four pendant la cuisson, sauf en cas de nécessité absolue.
5. Lorsque vous grillez du pain, rappelez-vous que le pain congelé demande un temps de grillage plus long.
6. Ne placez pas les aliments directement sur la grille de cuisson, sauf si vous voulez griller du pain. Utilisez toujours le plat multi-usage.
7. Retirez tous les emballages plastiques et en papier enroulés de la nourriture avant la cuisson.
8. Laissez toujours un espace adéquat entre le sommet de l'aliment à cuire et l'élément chauffant du haut.
9. Lorsque vous réglez le minuteur pour une durée de moins de 5 minutes, tournez toujours la molette de réglage sur 5 min (MED), puis revenez sur le temps désiré. Le réglage du minuteur sera ainsi plus précis.

Utilisez ces températures de cuisson au four et les conseils donnés sur les aliments comme guide. Si vous utilisez un aliment emballé, respectez toujours le temps et la température recommandés indiqués sur l'étiquette du produit. Le temps et la température de cuisson exacts dépendent du degré de cuisson souhaité, de l'épaisseur des aliments, de la température de départ, de la forme et du matériau du plat et d'autres facteurs.

150 à 250 °F	Réchauffer des pains précuits Garder chaud les crêpes, des toasts, des gaufres Garder les plats principaux au chaud pour les servir une heure plus tard au maximum
350 °F	Biscuits, aliments réfrigérés enroulés ou pâtes préparées Cuire de 9 à 13 minutes
375 °F	Préparations pour grille-pain congelées Placer sur la grille de cuisson, cuire de 3 à 4 minutes Roulades, aliments réfrigérés enroulés comme croissants et petits pains Cuire de 11 à 13 minutes
400 °F	Biscuits, aliments réfrigérés enroulés Cuire de 8 à 11 minutes Petits pains congelés Cuire de 7 à 9 minutes Tarte Fendre la croûte supérieure, placer sur un plateau de cuisson Cuire de 30 à 35 minutes
450 °F	Pommes de terre

Pommes de terre au four

Préchauffer le four à 450 °F.

Peler 1 à 4 pommes de terre et les percer pour permettre à la vapeur de s'échapper. Enduire légèrement les pommes de terre d'huile végétale ou de beurre. Mettre dans le plat. Cuire pendant 60 à 75 minutes ou jusqu'à ce que les pommes de terre soient cuites. Pour vérifier le degré de cuisson, exercez une légère pression avec un gant de cuisine. La pomme de terre devrait se déformer sans difficulté.

Garnitures facultatives : Entaillez les pommes de terre cuites au four et garnissez-les de la garniture de votre choix, juste avant de les servir.

Beurre

Ciboulette hachée ou autres herbes fraîches

Brocolis hachés, cuits à la vapeur

Piments préparés, chauffés

Jambon entièrement cuit en dés

Crème aigre

Oignons verts hachés

Fromage Cheddar râpé

Lard croustillant et émietté

Pizzas individuelles au goût sauvage

2 Muffins, coupés et grillés

¼ tasse de pesto de tomates séchées au soleil à tartiner ou de sauce

¼ tasse de poivrons rouges hachés, égouttés et grillés

¼ tasse de coeurs d'artichauts marinés, hachés et égouttés

¼ tasse de champignons des bois en tranches

1 cuillère à soupe de feuilles de persil haché, de basilic ou d'origan

½ tasse de fromage râpé pour pizza

Préchauffer le four à 350 °F.

Déposer les muffins grillés, côtés coupés vers le haut, sur le plat de cuisson.

Étalez le pesto uniformément sur chaque pizza. Garnissez-les de poivrons rouges grillés, de coeurs d'artichauts, de champignons et d'herbes.

Recouvrir le tout avec du fromage. Cuire de 3 à 5 minutes jusqu'à ce que le fromage soit chaud et fondu.

Pour 2 portions.

Pain au fromage et à l'ail

- 6 tranches de pain d'environ 2,5 cm d'épaisseur, grillés
- ¼ tasse de beurre fondu
- ¼ tasse de Parmesan râpé
- ¼ tasse de Mozzarella râpée
- ¼ cuillère à café d'ail en poudre

Préchauffer le four à 450 °F.

Disposer les pains grillés en une seule couche sur le plat.

Mélanger le beurre, les fromages et l'ail en poudre dans un petit bol.

Mélanger bien le tout. Étaler le beurre : verser le mélange de fromage sur chaque tranche de pain. Cuire de 2 à 4 minutes jusqu'à ce que le mélange de fromage soit chaud et fasse des bulles.

Pour 6 portions.

SOIN ET NETTOYAGE

Cet appareil nécessite peu d'entretien. Il n'est pas équipé de pièces directement réparables.

N'essayez pas de réparer l'appareil vous-même. Si une réparation est nécessaire, confiez-la à une personne qualifiée.

NETTOYAGE : Débranchez l'appareil et laissez-le refroidir. Après chaque utilisation, une fois le four refroidi, éliminez les résidus d'aliment avec une éponge ou un chiffon humide. **Ne plongez jamais le four grille-pain dans l'eau ou d'autres liquides.**

N'utilisez pas des nettoyeurs abrasifs, car ils peuvent endommager l'appareil. Pour un nettoyage en profondeur, nettoyez la grille et le plat de cuisson à l'eau chaude et savonneuse. Avant de retirer la grille ou le plat de cuisson, assurez-vous d'avoir débranché l'appareil et qu'il a bien refroidi.

GARANTIE LIMITÉE D'UN AN

Ce produit est couvert par une garantie stipulant qu'il sera exempt de défauts de matériaux et de fabrication pendant une période d'un an à compter de la date d'achat. Cette garantie est valable pour l'acheteur au détail original à partir de la date d'achat au détail initial et est incessible.

Conservez votre reçu de vente original.

IMPORTANT :

1. Cette garantie ne couvre pas les dommages résultant d'un accident, d'une mauvaise utilisation ou d'un abus, d'un manque de soins raisonnables, de la fixation de tout accessoire non fourni avec le produit, de la perte de pièces ou de la soumission de l'appareil à une tension autre que celle spécifiée. (Lisez attentivement les instructions.)
2. Cette garantie est nulle si ce produit est utilisé à des fins autres que domestiques.
3. Cette garantie est nulle si ce produit est utilisé en dehors des Canada.

Si un entretien est nécessaire pendant la période de garantie, emballez correctement votre appareil. Nous vous recommandons d'utiliser le carton d'origine et les matériaux d'emballage.

Si une assistance supplémentaire est nécessaire, veuillez contacter l'assistance client à l'adresse suivante :

Midea America (Canada) Corp.

Markham, ON L3R 8V2

1-866-646-4332

Midea America (Canada) Corp. décline expressément toute responsabilité pour les dommages indirects ou les pertes accidentelles causés par l'utilisation de l'appareil. Certains États n'autorisent pas cette exclusion ou limitation des pertes accessoires ou consécutives, de sorte que la clause de non-responsabilité ci-dessus peut ne pas s'appliquer à vous. Cette garantie vous donne des droits légaux précis, et vous pourriez aussi avoir d'autres droits légaux qui pourront varier selon l'État ou la province.

Le numéro de série se trouve à l'arrière du boîtier. Nous vous suggérons d'enregistrer le numéro de série de votre appareil dans l'espace ci-dessous pour référence ultérieure.

Numéro de modèle : _____

Numéro de série : _____

GARDEZ LE PRÉSENT DOCUMENT DANS VOS DOSSIERS

Fabriqué en Chine

PN:16171000A11988

Midea America (Canada) Corp.
Markham, ON L3R 8V2
1-866-646-4332