

Multifunction Electric Can Opener

User's manual

EN



SENCOR®

SMO 6601

Prior to using this appliance, please read the user's manual thoroughly, even in cases where you have previously familiarised yourself with the operation of similar types of appliances. Only use the appliance in the manner described in this user manual. Keep this user's manual in a safe place where it can be easily retrieved for future use.

We recommend saving the original cardboard box, packaging material, purchase receipt and responsibility statement of the vendor and warranty card for at least the the duration of the legal liability for unsatisfactory performance or quality. In the event of transportation, we recommend that you pack the appliance in the original box from the manufacturer.

EN-1

TABLE OF CONTENTS

IMPORTANT SAFETY INSTRUCTIONS	3
DESCRIPTION OF THE MULTIFUNCTION CAN OPENER	5
BEFORE FIRST USE	6
USING THE MULTIFUNCTION CAN OPENER	6
CLEANING AND MAINTENANCE	9
STORAGE.	11
TECHNICAL SPECIFICATIONS	11
INSTRUCTIONS AND INFORMATION REGARDING THE DISPOSAL OF USED PACKAGING MATERIALS	12
DISPOSAL OF USED ELECTRICAL AND ELECTRONIC EQUIPMENT	12

IMPORTANT SAFETY INSTRUCTIONS

READ CAREFULLY AND STORE FOR FUTURE USE.

- This appliance may be used by children 8 years of age and older and by persons with physical or mental impairments or by inexperienced persons, if they are properly supervised or have been informed about how to use the product in a safe manner and understand the potential dangers. Cleaning and maintenance performed by the user must not be performed by children unless they are older than 8 years of age and under supervision. Keep this appliance and the power cord out of reach of children that are younger than 8 years of age. Children must not play with the appliance.
- The appliance is designed for home use and serves to open:
 - cans;
 - jars with screw top lids;
 - cans with "easy open" lids;
 - drink bottles from glass or plastic;
 - plastic packaging, e.g. blister packs, etc.
- It is always necessary to use the correct accessory for opening the individual types of containers and packaging as described in chapter Using the multifunction can opener.



Attention:

Do not use the appliance for opening packaging or containers that are under pressure (e.g. aerosol agents) or those containing flammable liquids, e.g. cigarette lighter refills.

- Do not use the appliance outdoors.
- Do not place the appliance on the edge of a table, on unstable surfaces or on appliances that are a heat source or in their vicinity.
- Before connecting this appliance to a power socket, make sure the voltage stated on its rating label corresponds to the voltage in your power socket.

Multifunction Electric Can Opener

SMO 6601

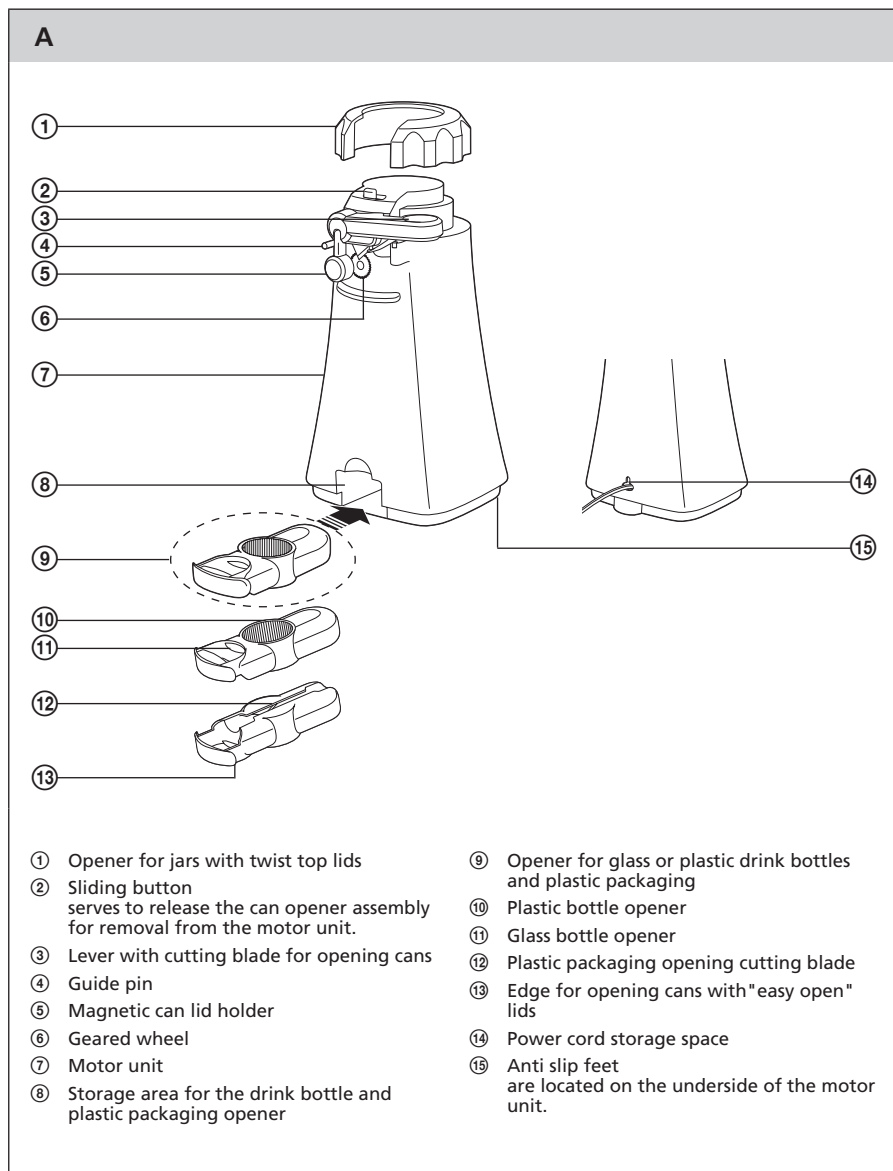
- Never use accessories, which have not been supplied with this appliance or which have not been explicitly recommended by the manufacturer for this appliance.
- Do not touch the rotating parts of the appliance while it is running and take care to keep your clothing or hair away from the can opener. An injury could occur or the appliance could be damaged.
- Always disconnect the appliance from the power socket when not in use and when you are going to leave it without supervision, before assembly or disassembly of removable parts, cleaning or moving it. Make sure that the rotating parts have come to a complete stop before disassembly of removable parts.
- When handling the appliance, be especially careful not to injure yourself on the blade assembly of the can opener or on the blade used for opening plastic packaging.
- Do not submerge the appliance (except for the removable parts) or the power cord in water or any other liquid, or wash it under running water.
- Ensure that the power plug contacts do not come into contact with water or moisture.
- Do not place heavy items on the power cord. Make sure the power cord does not hang over the edge of a table or that it does not touch a hot surface.
- Do not disconnect the appliance from the power socket by pulling on the power cord. This could damage the power cord or the power socket. Disconnect the cord from the power socket by gently pulling the plug of the power cord.
- If the power cord is damaged, have it replaced at a professional service centre. It is forbidden to use the appliance if it has a damaged power cord or plug.
- To avoid the danger of injury by electrical shock, do not repair the appliance yourself or make any adjustments to it. Have all repairs or adjustments of the appliance performed at an authorised service centre. By tampering with the appliance you risk voiding your legal rights arising from unsatisfactory performance or quality warranty.

Multifunction Electric Can Opener

SMO 6601

EN

DESCRIPTION OF THE MULTIFUNCTION CAN OPENER



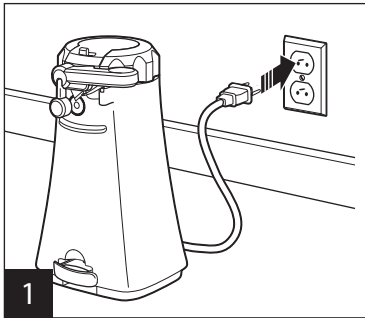
EN-5

BEFORE FIRST USE

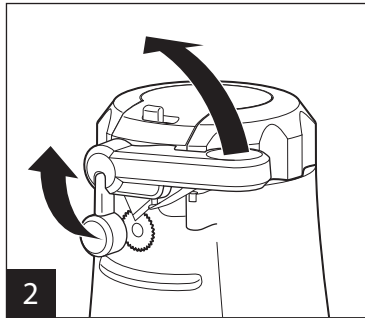
- Take the appliance out of the packaging material and check that it is complete and that no part of it is damaged.
- Then clean all removable parts according to the instructions in chapter Cleaning and maintenance.

USING THE MULTIFUNCTION CAN OPENER

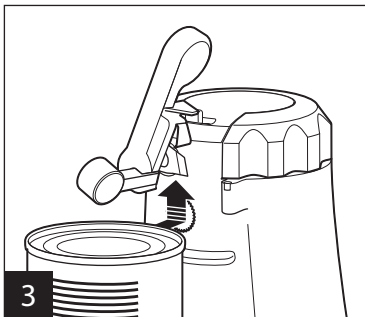
1. USING THE CAN OPENER



Make sure that the appliance is correctly assembled and then connect the power cord to the el. power socket.



Lift up lever A³ and the magnetic can lid holder A⁵.



Place the can under the lever with the cutting blade A³ so that the edge of the can is located between the geared wheel A⁴ and the cutting blade.



Note:

The can opener can be used for various shapes of cans. If the lid of the can is pushed in somewhere or otherwise deformed, start opening the can behind this location.



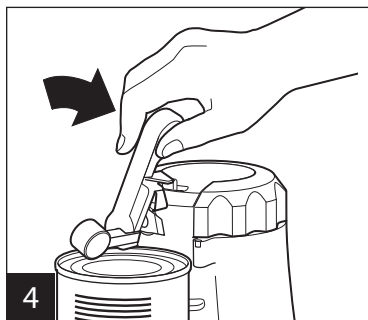
Tilt down the lever A³. The magnetic lid holder A⁵ will hold the lid of the can. To start the motor, gently push down on the lever A³. The can opening process will commence. It is not necessary to hold the lever A³. The motor will automatically stop once the can is opened.

Text continues on the next page.

Multifunction Electric Can Opener

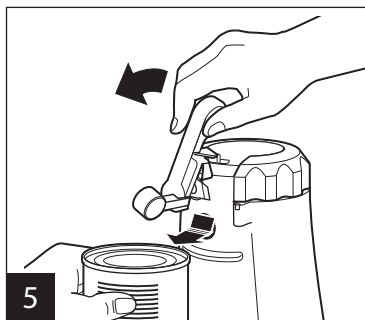
SMO 6601

EN



Attention:

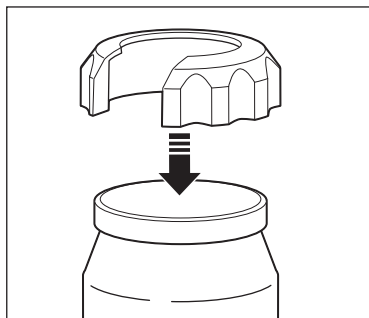
It is not necessary to hold cans weighing up to approx. 500 g in position while they are being opened. When opening heavier cans, use one hand to hold the can and place the palm of the other hand on the top of the motor unit A⑦ to prevent the appliance from tipping over.



When the motor stops, use one hand to hold the can in place and use the other hand to lift the lever A③. Remove the can. If the can contains a liquid, be especially careful not to spill it.

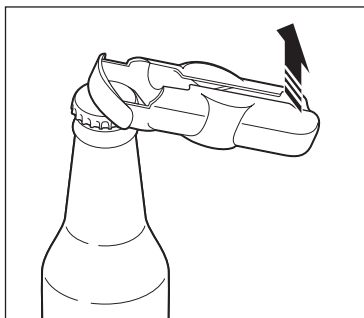
2. USING THE JAR OPENER AND THE DRINK BOTTLE AND PLASTIC PACKAGING OPENER

- Make sure that the power cord is disconnected from the el. power socket before taking out the removable parts or before reinserting them into the appliance.

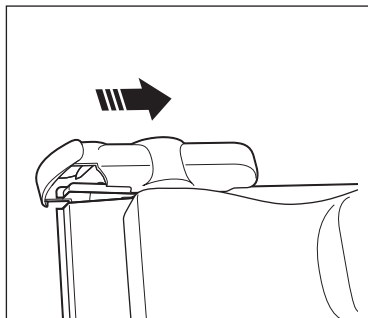


The jar opener A① is made from a flexible material and so it can be used for lids of various sizes.

Before using, take the jar opener A① off the motor unit A⑦ as follows. Place the tip of your index finger into the groove in the rear part of the motor unit A⑦, release the jar opener A① by lifting it up and then take it off.

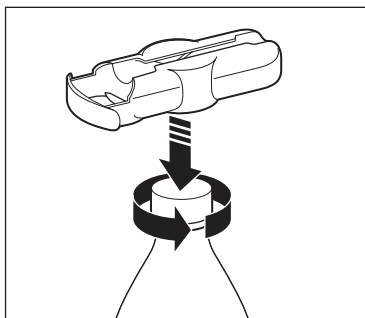


Using opener A⑨ for opening glass bottles.

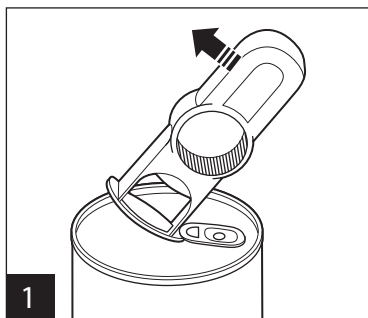


Using opener A[ⓐ] for opening plastic packaging.

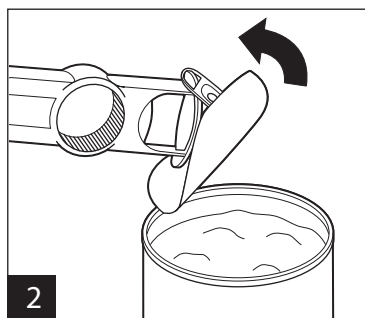
The cutting blade A[ⓑ] can be used to open various types of plastic packaging, e.g. blister packs, plastic bags, etc. Insert the edge of the packaging into the slit with the cutting blade A[ⓑ] and drag the cutting blade A[ⓑ] over it.



Using opener A[ⓐ] for opening plastic glass bottles.



Using opener A[ⓐ] for opening cans with an "open easy" lid that can be easily pulled off.



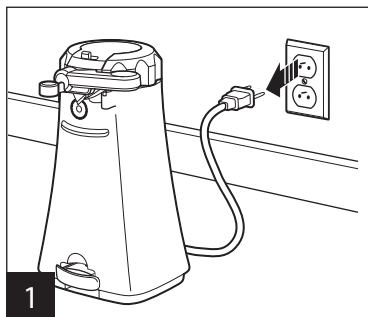
Multifunction Electric Can Opener

SMO 6601

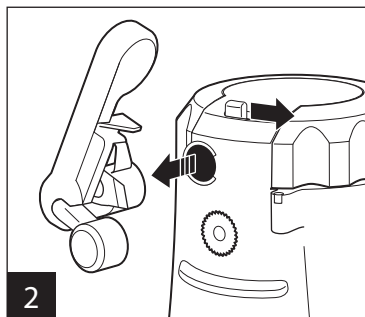
EN

CLEANING AND MAINTENANCE

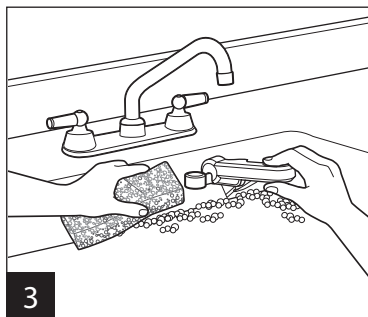
- Keep the appliance clean and clean dirty parts after every use.



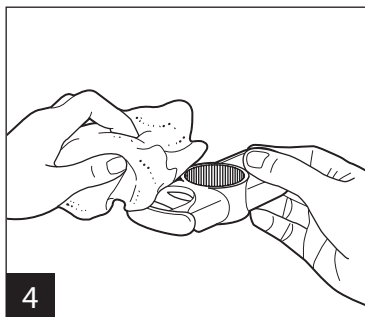
Before cleaning, make sure that the appliance is disconnected from the power socket and that all rotating parts have come to a complete stop.



Slide button A(2) to the right and hold it in this position. Remove the can opener assembly from the motor unit A(7) and release the button A(2).



Wash the can opener assembly under running water with neutral dishwashing detergent. Then thoroughly rinse under flowing water and dry it.



Wipe the bottle and plastic packaging opener A(9) using a dampened cloth and they wipe dry. In the same way, clean out the jar opener A(1).

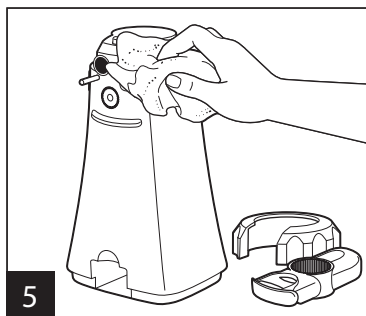


Attention:

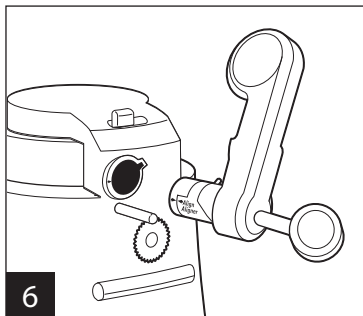
Be especially careful not to injure yourself on the cutting blade that is a part of the can opener lever A(3).

Multifunction Electric Can Opener

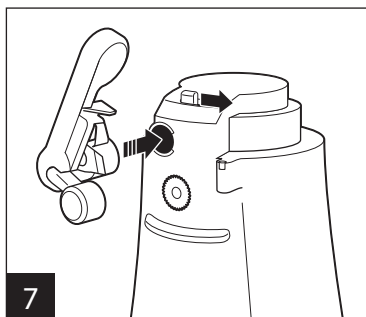
SMO 6601



5 Wipe the motor unit A7 with a lightly damp cloth and then dry it.



6 Place the can opener assembly against the motor unit A7 so that the arrow marked at the hole for inserting the opener is aligned with the arrow marked on the opener assembly.



7 Slide button A2 to the right and hold it in this position.

Insert the opener assembly into the hole in the motor unit A7 and release the button A2. When the button A2 is released, the opener assembly will be attached to the motor unit A7.



8 Put the jar opener A1 and the bottle and plastic packaging opener A9 back in their place.



Attention:

Do not submerge the appliance (except for the removable parts) and its power cord in water or any other liquid, or wash it under running water.

Do not use metal items or abrasive cleaning products for cleaning to avoid damaging the surface.

Multifunction Electric Can Opener

SMO 6601

EN

STORAGE

- Store the assembled appliance in a clean, dry place out of reach of children.

TECHNICAL SPECIFICATIONS

Rated voltage range	220–240 V
Rated frequency	50 Hz
Rated power input	70 W
Electric shock protection class	II

Explanation of technical terminology

Safety class for electric shock protection:

Class II – Electric shock protection is provided by double or heavy-duty insulation.

We reserve the right to change text and technical specifications.

INSTRUCTIONS AND INFORMATION REGARDING THE DISPOSAL OF USED PACKAGING MATERIALS

Dispose of used packaging material at a site designated for waste in your municipality.

DISPOSAL OF USED ELECTRICAL AND ELECTRONIC EQUIPMENT



This symbol on products or original documents means that used electric or electronic products must not be added to ordinary municipal waste. For proper disposal, renewal and recycling hand over these appliances to determined collection points. Alternatively, in some European Union states or other European countries you may return your appliances to the local retailer when buying an equivalent new appliance. Correct disposal of this product helps save valuable natural resources and prevents potential negative effects on the environment and human health, which could result from improper waste disposal. Ask your local authorities or collection facility for more details. In accordance with national regulations penalties may be imposed for the incorrect disposal of this type of waste.

For business entities in European Union states

If you want to dispose of electric or electronic appliances, ask your retailer or supplier for the necessary information.

Disposal in other countries outside the European Union.

This symbol is valid in the European Union. If you wish to dispose of this product, request the necessary information about the correct disposal method from the local council or from your retailer.



This appliance meets all the basic requirements of EU directives related to it.