



OUTDOOR COOKING

Grill with Rotisserie

GABR / GSBR / GMBR

Use & Care Manual
Installation & Operation

 HESTAN

**HESTAN OUTDOOR, MOST
POWERFUL, VERSATILE AND
RELIABLE RESIDENTIAL
GRILL AVAILABLE.**



**Message from Hestan:**



Outdoor cooking is a perfectionist's pursuit, and with your new investment, you've now taken the ultimate step forward. We sincerely welcome you to the Hestan Family. We've engineered and built our products so that your guests will rave about your meal, but deep down, our customers know it could've been just a little more tender, juicier – a pinch more salt in the rub or a few seconds less on the flame. Yes, we've taken the time to know our Hestan customer and we're excited to be on this journey with you. Hestan Outdoor was born from this same perfectionist passion. Our engineers experimented, innovated, tweaked and tinkered until they created the most powerful, versatile and reliable outdoor products available.

We pride ourselves on restless innovation, superior engineering and purpose-built designs, but also our in-depth understanding of our target consumer and the interests and needs of the ultimate end-users we serve and covet. For many consumers, cooking outdoors is much more than an act of food preparation. It's a lifestyle activity that encompasses culinary, leisure and social pursuits among others.

We are thankful and proud that you have chosen Hestan, and we yearn to have you as a customer for life. We take your decision to choose Hestan most seriously, and we promise to deliver the very best to you.

Welcome to Hestan Outdoor



 DANGER	 DANGER
<p>If you smell gas:</p> <ol style="list-style-type: none">1. Shut off gas to the appliance.2. Extinguish any open flame.3. Open lid.4. If odor continues, keep away from the appliance and immediately call your gas supplier or your fire department.	<ol style="list-style-type: none">1. Do not store or use gasoline or other flammable liquids or vapors in the vicinity of this or any other appliance.2. An LP cylinder not connected for use shall not be stored in the vicinity of this or any other appliance.

⚠ WARNING IF THE INFORMATION IN THIS MANUAL IS NOT FOLLOWED EXACTLY, A FIRE OR EXPLOSION MAY RESULT CAUSING PROPERTY DAMAGE, PERSONAL INJURY, OR DEATH.

⚠ WARNING Do not try lighting this appliance without reading the LIGHTING INSTRUCTIONS section of this manual.

⚠ WARNING For outdoor use ONLY. This cooking appliance is not intended to be installed in or on recreational vehicles, and/or boats.

⚠ WARNING Flammable Gas - disconnect all propane or natural gas supplies to this unit before servicing.

⚠ WARNING Electrical Parts & Components – disconnect all power supplies and batteries before servicing.

READ THIS MANUAL CAREFULLY AND COMPLETELY BEFORE USING YOUR GRILL TO REDUCE THE RISK OF FIRE, BURN HAZARD, OR OTHER INJURY. KEEP THIS MANUAL FOR FUTURE REFERENCE.

TABLE OF CONTENTS



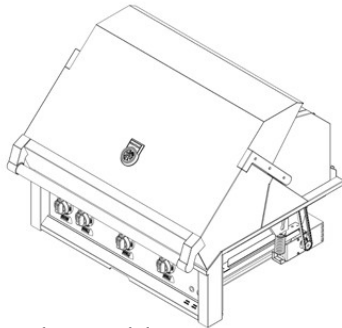
EN

4	MODEL NUMBERS
7	RATING LABELS
7	PRECAUTIONS
10	REGULATORY / CODE REQUIREMENTS
10	PORTABLE LP CYLINDERS
11	LOCATION AND ASSEMBLY
13	INSTALLATION
16	GAS CONNECTIONS
24	LIGHTING INSTRUCTIONS
27	USING YOUR GRILL
28	CLEANING AND MAINTENANCE
33	TROUBLESHOOTING
34	WIRING SCHEMATICS
38	PARTS LIST
38	SERVICE
38	WARRANTY

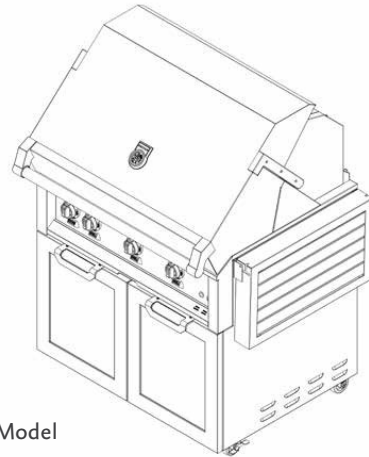


MODEL NUMBERS

EN



Built-in Model



Freestanding Model

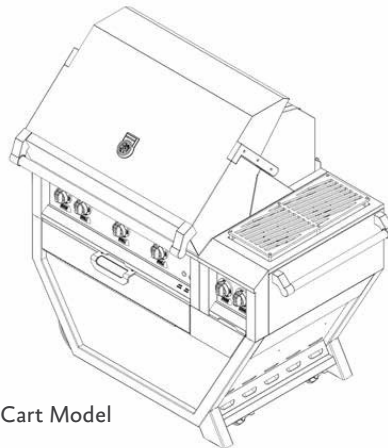
BUILT-IN MODELS

Model No.	Description
GABR30-NG / -LP	30" BUILT-IN (ALL TRELIS BURNERS)
GMBR30-NG / -LP	30" BUILT-IN (SEAR AND TRELIS BURNERS)
GSBR30-NG / -LP	30" BUILT-IN (ALL SEAR BURNERS)
GABR36-NG / -LP	36" BUILT-IN (ALL TRELIS BURNERS)
GMBR36-NG / -LP	36" BUILT-IN (SEAR AND TRELIS BURNERS)
GSBR36-NG / -LP	36" BUILT-IN (ALL SEAR BURNERS)
GABR42-NG / -LP	42" BUILT-IN (ALL TRELIS BURNERS)
GMBR42-NG / -LP	42" BUILT-IN (SEAR AND TRELIS BURNERS)
GSBR42-NG / -LP	42" BUILT-IN (ALL SEAR BURNERS)

FREESTANDING MODELS

Model No.	Description
GABR30-NG/-LP & GCD30	30" FREESTANDING (ALL TRELIS BURNERS) DOUBLE DOOR CART
GMBR30-NG/-LP & GCD30	30" FREESTANDING (SEAR AND TRELIS BURNERS) DOUBLE DOOR CART
GSBR30-NG/-LP & GCD30	30" FREESTANDING (ALL SEAR BURNERS) DOUBLE DOOR CART
GABR30-NG/-LP & GCR30	30" FREESTANDING (ALL TRELIS BURNERS) DRAWER AND DOOR CART
GMBR30-NG/-LP & GCR30	30" FREESTANDING (SEAR AND TRELIS BURNERS) DRAWER AND DOOR CART
GSBR30-NG/-LP & GCR30	30" FREESTANDING (ALL SEAR BURNERS) DRAWER AND DOOR CART
GABR36-NG/-LP & GCD36	36" FREESTANDING (ALL TRELIS BURNERS) DOUBLE DOOR CART
GMBR36-NG/-LP & GCD36	36" FREESTANDING (SEAR AND TRELIS BURNERS) DOUBLE DOOR CART
GSBR36-NG/-LP & GCD36	36" FREESTANDING (ALL SEAR BURNERS) DOUBLE DOOR CART
GABR36-NG/-LP & GCR36	36" FREESTANDING (ALL TRELIS BURNERS) DRAWER AND DOOR CART
GMBR36-NG/-LP & GCR36	36" FREESTANDING (SEAR AND TRELIS BURNERS) DRAWER AND DOOR CART
GSBR36-NG/-LP & GCR36	36" FREESTANDING (ALL SEAR BURNERS) DRAWER AND DOOR CART
GABR42-NG/-LP & GCR42	42" FREESTANDING (ALL TRELIS BURNERS) DRAWER AND DOOR CART
GMBR42-NG/-LP & GCR42	42" FREESTANDING (SEAR AND TRELIS BURNERS) DRAWER AND DOOR CART
GSBR42-NG/-LP & GCR42	42" FREESTANDING (ALL SEAR BURNERS) DRAWER AND DOOR CART

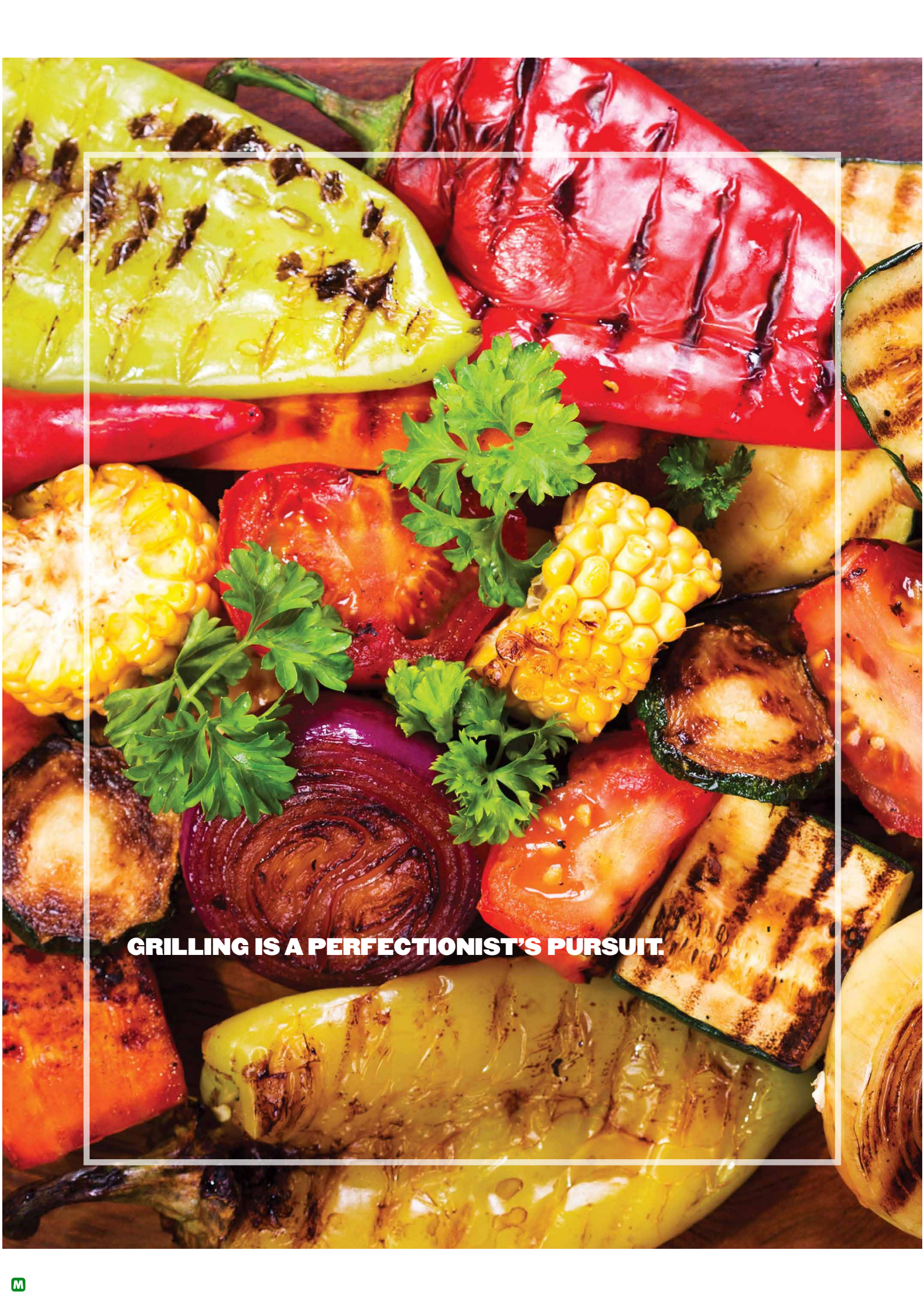
MODEL NUMBERS



Deluxe Cart Model

DELUXE CART MODELS


Model No.	Description
GABR30CX-NG / -LP	30" FREESTANDING (ALL TRELIS BURNERS) DELUXE CART
GMBR30CX-NG / -LP	30" FREESTANDING (SEAR AND TRELIS BURNERS) DELUXE CART
GGBR30CX-NG / -LP	30" FREESTANDING (ALL SEAR BURNERS) DELUXE CART
GABR30CX2-NG / -LP	30" FREESTANDING (ALL TRELIS BURNERS) DELUXE CART WITH DOUBLE SIDE BURNER
GMBR30CX2-NG / -LP	30" FREESTANDING (SEAR AND TRELIS BURNERS) DELUXE CART WITH DOUBLE SIDE BURNER
GGBR30CX2-NG / -LP	30" FREESTANDING (ALL SEAR BURNERS) DELUXE CART WITH DOUBLE SIDE BURNER
GABR36CX-NG / -LP	36" FREESTANDING (ALL TRELIS BURNERS) DELUXE CART
GMBR36CX-NG / -LP	36" FREESTANDING (SEAR AND TRELIS BURNERS) DELUXE CART
GGBR36CX-NG / -LP	36" FREESTANDING (ALL SEAR BURNERS) DELUXE CART
GABR36CX2-NG / -LP	36" FREESTANDING (ALL TRELIS BURNERS) DELUXE CART WITH DOUBLE SIDE BURNER
GMBR36CX2-NG / -LP	36" FREESTANDING (SEAR AND TRELIS BURNERS) DELUXE CART WITH DOUBLE SIDE BURNER
GGBR36CX2-NG / -LP	36" FREESTANDING (ALL SEAR BURNERS) DELUXE CART WITH DOUBLE SIDE BURNER
GABR42CX-NG / -LP	42" FREESTANDING (ALL TRELIS BURNERS) DELUXE CART
GMBR42CX-NG / -LP	42" FREESTANDING (SEAR AND TRELIS BURNERS) DELUXE CART
GGBR42CX-NG / -LP	42" FREESTANDING (ALL SEAR BURNERS) DELUXE CART
GABR42CX2-NG / -LP	42" FREESTANDING (ALL TRELIS BURNERS) DELUXE CART WITH DOUBLE SIDE BURNER
GMBR42CX2-NG / -LP	42" FREESTANDING (SEAR AND TRELIS BURNERS) DELUXE CART WITH DOUBLE SIDE BURNER
GGBR42CX2-NG / -LP	42" FREESTANDING (ALL SEAR BURNERS) DELUXE CART WITH DOUBLE SIDE BURNER




GRILLING IS A PERFECTIONIST'S PURSUIT.


RATING LABEL


The rating label contains important information about your Hestan appliance such as the model and serial number, gas type and manifold pressure, the BTU rating for each burner type, and the minimum installation clearances.

HESTAN COMMERCIAL CORP. ANAHEIM, CA. - USA		MODEL								
VOLTS 120 Hz 60 PHASE 1 AMPS		SER. NO.								
GAS TYPE	BTU/HOUR / ROTISSOISSE	CONFORME À LA NORME ANSI Z21.58 CERTIFIÉ À LA NORME CSA 1.6 OUTDOOR COOKING GAS APPLIANCE								
MAN. PRESS. INCH W.C.	BTU/HOUR / GRILL BURNER									
BTU/HOUR / SEAR BURNER		 Intertek 5001516 P/N: 00007181A								
MIN. CLEARANCES <table border="1"> <tr> <td></td> <td>COMBUSTIBLE</td> <td>NON-COMBUSTIBLE</td> </tr> <tr> <td>BACK</td> <td>12"</td> <td>0"</td> </tr> <tr> <td>SIDES</td> <td>12"</td> <td>0"</td> </tr> </table>				COMBUSTIBLE	NON-COMBUSTIBLE	BACK	12"	0"	SIDES	12"
	COMBUSTIBLE	NON-COMBUSTIBLE								
BACK	12"	0"								
SIDES	12"	0"								

HESTAN COMMERCIAL CORP. ANAHEIM, CA. - USA		MODELE								
VOLTS 120 Hz 60 PHASE 1 AMPS		NO. SER.								
TYPE DE GAZ	BTU / HOUR / ROTISSOISSE	CONFORME À LA NORME ANSI Z21.58 CERTIFIÉ À LA NORME CSA 1.6 APPAREIL DE CUISSON AU GAZ POUR USAGE EN PLEIN AIR								
PRESS. ADM. INCH W.C.	BTU / HOUR / LE GRILL									
BTU / HOUR / INFRA-ROUGE		 Intertek 5001516 P/N: 00007181A								
MIN. DÉGAGEMENTS <table border="1"> <tr> <td></td> <td>COMBUSTIBLE</td> <td>INCOMBUSTIBLE</td> </tr> <tr> <td>ARRIÈRE</td> <td>12"</td> <td>0"</td> </tr> <tr> <td>CÔTÉS</td> <td>12"</td> <td>0"</td> </tr> </table>				COMBUSTIBLE	INCOMBUSTIBLE	ARRIÈRE	12"	0"	CÔTÉS	12"
	COMBUSTIBLE	INCOMBUSTIBLE								
ARRIÈRE	12"	0"								
CÔTÉS	12"	0"								

Hestan Grill rating label is located on the underside of the drip pan.

HESTAN COMMERCIAL CORP. ANAHEIM, CA. - USA		MODEL								
VOLTS 120 Hz 60 PHASE 1 AMPS		SER. NO.								
GAS TYPE	BTU/HOUR / FRONT BURNER	CONFORME À LA NORME ANSI Z21.58 CERTIFIÉ À LA NORME CSA 1.6 OUTDOOR COOKING GAS APPLIANCE								
MAN. PRESS. INCH W.C.	BTU/HOUR / REAR BURNER									
BTU/HOUR / REAR BURNER		 Intertek 5001516 P/N: 00007181A								
MIN. CLEARANCES <table border="1"> <tr> <td></td> <td>COMBUSTIBLE</td> <td>NON-COMBUSTIBLE</td> </tr> <tr> <td>BACK</td> <td>12"</td> <td>0"</td> </tr> <tr> <td>SIDES</td> <td>12"</td> <td>0"</td> </tr> </table>				COMBUSTIBLE	NON-COMBUSTIBLE	BACK	12"	0"	SIDES	12"
	COMBUSTIBLE	NON-COMBUSTIBLE								
BACK	12"	0"								
SIDES	12"	0"								

HESTAN COMMERCIAL CORP. ANAHEIM, CA. - USA		MODELE								
VOLTS 120 Hz 60 PHASE 1 AMPS		NO. SER.								
TYPE DE GAZ	BTU / HOUR / BRÛLEUR AVANT	CONFORME À LA NORME ANSI Z21.58 CERTIFIÉ À LA NORME CSA 1.6 APPAREIL DE CUISSON AU GAZ POUR USAGE EN PLEIN AIR								
PRESS. ADM. INCH W.C.	BTU / HOUR / BRÛLEUR ARRIÈRE									
BTU / HOUR / BRÛLEUR ARRIÈRE		 Intertek 5001516 P/N: 00007181A								
MIN. DÉGAGEMENTS <table border="1"> <tr> <td></td> <td>COMBUSTIBLE</td> <td>INCOMBUSTIBLE</td> </tr> <tr> <td>ARRIÈRE</td> <td>12"</td> <td>0"</td> </tr> <tr> <td>CÔTÉS</td> <td>12"</td> <td>0"</td> </tr> </table>				COMBUSTIBLE	INCOMBUSTIBLE	ARRIÈRE	12"	0"	CÔTÉS	12"
	COMBUSTIBLE	INCOMBUSTIBLE								
ARRIÈRE	12"	0"								
CÔTÉS	12"	0"								

Hestan Outdoor Side Burner rating label is located on the underside of the drip pan.

PRECAUTIONS - BEFORE YOU USE YOUR GRILL

When properly cared for, your Hestan grill will provide safe, reliable service for many years. However, extreme care must be used since the grill produces intense heat, which can cause serious injury or even death if the instructions are not followed carefully. When using this appliance, basic safety practices must be followed as outlined below.

1. NEVER LEAVE THE GRILL UNATTENDED WHILE COOKING.
2. Children should not be left alone or unattended in an area where the grill is being used. Never allow them to sit, stand, or play on or around the grill. Do not store items of interest to children around or below the grill or in the cart. Never allow children to crawl inside of the cart.
3. Never operate the grill while under the influence of alcohol or drugs.
4. Never use the grill in windy conditions. If located in a consistently windy area, oceanfront, mountaintop, etc., a windbreak will be required. Always adhere to the specified clearances as described in the INSTALLATION section of this manual.
5. The grill shall be used only outdoors and shall not be used in buildings, garages, sheds, breezeways, or any enclosed areas. Do not operate the grill under unprotected, combustible construction. Use only in well-ventilated areas. See the INSTALLATION section of this manual.
6. Do not use the grill unless a leak check has been performed on all gas connections. See the GAS CONNECTIONS section of this manual.
7. If the grill is installed by a professional installer or technician, be sure that they show you where your gas supply shut-off is located. All gas lines must have a shut-off that is easily accessible. If you smell gas, check for leaks immediately. Check only with a soap and water solution. Never check gas leaks with an open flame. See the GAS CONNECTIONS section of this manual.



PRECAUTIONS - BEFORE YOU USE YOUR GRILL *(continued)*

8. Check the regulator, hoses, burner ports, air shutter, and venturi / valve section carefully. Always turn off gas at the source (tank or supply line) prior to inspecting parts.
9. When lighting a burner, always pay close attention to what you are doing. Be certain you are turning the correct knob labeled for the burner you intend to use. If any burner does not light, or goes out during operation, turn off all gas control knobs, open the hood and wait five (5) minutes before attempting to re-light. See the LIGHTING INSTRUCTIONS section of this manual.
10. Portable LP cylinders - Always shut off the main valve on the liquid propane (LP) cylinder after each use. Never use a dented or rusted LP cylinder. Never attach or disconnect an LP cylinder, or move or alter gas fittings when the grill is in operation or is hot.
11. Inspect LP gas supply hose prior to each use of the grill. The hose must be kept away from heated areas of the grill. If there is evidence of excessive abrasion or wear, or the hose is cut, it must be replaced before using the grill. The hose and LP regulator are supplied as a complete assembly and must be replaced together. Do not attempt to repair or replace the hose itself. Contact your Hestan dealer for genuine replacement P/N 006256.
12. Keep any electrical supply cord away from the heated areas of the grill. The cord is provided with a 3-prong grounding plug which should not be removed or altered. Do not use this appliance with an ungrounded, 2-prong adapter. The cord must be plugged into a properly grounded GFCI-protected outlet. See INSTALLATION section of this manual.
13. Spiders and insects like to nest in the burners, venturis, valves, and orifices of a grill, disrupting the gas flow in the burner. This very dangerous condition can cause a fire behind the control panel, damaging the grill and risking personal injury. If your grill has been unused for a long time, inspect and clean the burners, venturis, valves, and orifices. It is recommended you inspect your grill at least twice a year. See BURNER ADJUSTMENT section of this manual for details.
14. Keep the areas surrounding the grill free from combustible materials, trash, or combustible fluids and vapors such as gasoline or charcoal lighter fluid. Do not obstruct the flow of combustion gases (rear) and ventilation airways (front).
15. If your grill is mounted on a cart, keep the rear area free and clear of debris, extra LP cylinders, etc. Do not block the ventilation louvers of the cart.
16. If your grill is mounted on a cart and stored indoors, ensure that it is cool before moving. If propane is used, the LP cylinder must be disconnected and stored OUTSIDE in a well-ventilated area, out of the reach of children. A grill cover is recommended, even when stored indoors.
17. Never move the grill when hot. When in use, portions of the grill are hot enough to cause severe burns.
18. Always have an "ABC" type fire extinguisher accessible – never attempt to extinguish a grease fire with water or other liquids.
19. Avoid wearing loose-fitting garments or long sleeves while grilling. They could ignite. For personal safety, wear proper apparel while grilling. Some synthetic fabrics are highly flammable and should not be worn while grilling.
20. Never let pot holders, grill covers, or other flammable materials come in contact with or too close to any cooking grate, burner, or hot surface until it has cooled down sufficiently. Fabrics may ignite and result in personal injury. Use only dry potholders. Moist or damp potholders on hot surfaces may cause burns from steam. Do not use a towel or bulky cloth in place of potholders. Do not let potholders touch hot portions of the cooking grates or warming racks.

PRECAUTIONS - BEFORE YOU USE YOUR GRILL *(continued)*



EN

21. Never touch the cooking grates, hood, or immediate surrounding metal surfaces with your bare hands while grilling, as these areas become extremely hot and could cause burns. Use only the handles and knobs provided for operation of the grill.
22. Protect your hand when opening a hot grill hood. Use an insulated glove or mitt when operating the grill. Always open the hood slowly to allow heat and smoke to escape before fully opening. Keep your face and body as far away as possible when opening the hood. Never lean over an open hot grill.
23. The grill hood must be fully opened while lighting the grill. Opening the gas valves on a closed grill before lighting will not make it light sooner or more efficiently. It will only risk explosion and personal injury, or death. Never lean over a hot grill surface, or look directly into the grill when attempting to light. See the LIGHTING INSTRUCTIONS section of this manual.
24. Do not heat unopened food containers (cans) as pressure build-up will cause the container to explode.
25. Do not use aluminum foil to line cooking grates or the drip tray. This will alter the airflow to the grill or trap excessive heat in the control area. This can melt control knobs, wiring, or igniters, and increase the risk of personal injury. Such damage is specifically excluded from our warranty.
26. Never grill without the drip tray in place and pushed all the way to the back of the grill. Without the drip tray, hot grease can leak downward creating a fire or explosion hazard.
27. Grease is extremely flammable. Let hot grease cool before attempting to handle or dispose of it. Avoid letting grease deposits collect in the bottom of the grill by cleaning the drip tray often. Never clean while the grill is on, or hot from recent use.
28. Grilling excessively fatty meats and oils will cause flare-ups. Internal fires or damage caused by them or by the grill being left unattended, are not covered under the terms and conditions of our warranty.
29. Never use charcoal, pellets, wood, or any other solid fuel in the grill. Wood chips for smoking are to be used with the smoker accessory only. See the SMOKER section of this manual.
30. Only certain types of glass, heatproof glass-ceramic, earthenware, or other glazed utensils are suitable for grill use. However, these types of materials may break with sudden temperature changes. Use only on low or medium heat settings, and according to their manufacturers' directions.
31. Do not lean on side shelves or place a load of more than 25 lbs (11.3 kg) on a side shelf.
32. Do not repair or replace any part of the grill unless specifically recommended in this manual. All other warranty and non-warranty service should be referred to and performed by a qualified technician.
33. For proper lighting and performance of the burners, keep the ports clean. It is necessary to clean them periodically for optimum performance. The burners will operate only in one position and must be mounted correctly for safe operation. See BURNER ADJUSTMENT section of this manual.
34. Clean the grill with caution. Avoid steam burns - do not use a wet sponge or cloth to clean the grill while it is hot. Some cleaners produce noxious fumes or can ignite when applied to a hot surface. Be sure all grill controls are turned off and the grill is cool before using any type of aerosol cleaner on or around the grill. The chemical that produces the spraying action could, in the presence of heat, ignite or cause metal parts to corrode. Clean and perform general maintenance on the grill twice a year. Watch for corrosion, cracks, or insect activity. See the CLEANING AND MAINTENANCE section of this manual.



REGULATORY / CODE REQUIREMENTS

Installation of this cooking appliance must be made in accordance with local codes. In the absence of local codes, this unit should be installed in accordance with the National Fuel Gas Code *ANSI Z223.1/NFPA 54*, Natural Gas and Propane Installation code *CSA B149.1*, or Propane Storage and Handling Code *B149.2*.

All Electrical Components must be electrically grounded in accordance with local codes or in the absence of local codes with the National Electrical Code *ANSI/NFPA 70*, or Canadian Electrical code *CSA C22.1*.

CALIFORNIA PROPOSITION 65 - WARNING

The burning of gas cooking fuel generates toxic by-products, which are on the list of substances which are known by the State of California to cause cancer or reproductive harm. California law requires businesses to warn customers of potential exposure to such substances. To minimize exposure to these substances, always operate this unit according to the use and care manual, ensuring you provide good ventilation when cooking with gas. This warning is issued pursuant to California Health & Safety Code Sec. 25249.6.



PORTABLE LP GAS CYLINDERS

Use only a standard 20 lb. (9.1kg) liquid propane (LP) gas cylinder - 12.25" diam. X 18.25" H (31cm X 47cm) which features an Overfill Protection Device. The cylinder must be installed in the upright position. Do not use a dented or rusty LP cylinder as it may be hazardous and should be checked by your LP supplier. Never use a cylinder with a damaged valve. Never move or alter the gas fittings. Check the expiration date on the cylinder collar as well. Do not refill an expired cylinder, it must be replaced. If you buy refilled (exchange) LP cylinders, check this date as well.

The LP gas cylinder must be constructed and marked in accordance with the specifications for LP gas cylinders of the U.S. Department of Transportation (DOT). The cylinder must be provided with a shut off valve terminating in an LP gas supply cylinder valve outlet specified, as applicable, for connection type QCC1 in the standard for compressed gas cylinder valve outlet and inlet connections ANSI/CGA-V-I.

▲WARNING

Certain liquid propane dealers may fill LP cylinders for use in the grill beyond cylinder filling capacity. This "overfilling" may create a dangerous condition due to a build-up of excess pressure. As a safety device, there is a pressure relief valve which will vent propane gas vapor to relieve this excess pressure. This vapor is combustible and therefore can be ignited. To reduce this danger, you should take the following safety precautions:

1. When you have your cylinder filled, be sure you tell the supplier to fill it to no more than 80% of its total capacity.
2. If you own or use a spare cylinder, you should NEVER store it near or under the grill/cart unit or burner box, or near any other ignition or heat source (like a water heater or furnace).

IF THE INFORMATION IN 1 AND 2 ABOVE IS NOT FOLLOWED EXACTLY, A FIRE CAUSING DEATH OR SERIOUS INJURY MAY OCCUR.

3. The LP cylinder must be disconnected and stored OUTSIDE in a well-ventilated area, out of the reach of children.
4. Do not store a full cylinder in direct sunlight.

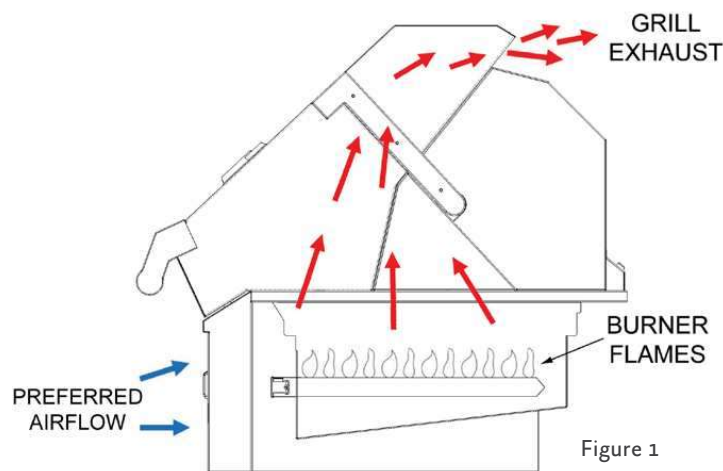


LOCATING AND ASSEMBLING THE GRILL

When determining a suitable location for your grill, take into account concerns such as exposure to wind, rain, sprinklers, proximity to traffic paths, and keeping any gas supply line runs as short as possible.

Locate the grill only in a well-ventilated area. Never locate the grill in a building, garage, breezeway, shed or other such enclosed areas without an approved ventilation system. Never locate the grill over, under, or next to unprotected combustible construction.

During heavy use, the grill will produce a lot of heat and smoke. The grill is designed to take in cool air at the front control panel area, and send the combustion products and smoke out the exhaust gap at the rear of the hood. It is important to maintain this flow at all times. Using the grill in windy areas can disrupt this proper flow and cause damage to your grill, or result in burn hazards to the user. See Fig. 1 for details.



When installing a grill or other gas appliance into an enclosure (island), the enclosure must be constructed with ventilation openings to avoid accumulation of gas should there be a leak. See the INSTALLATION section of this manual for details.

Ensure all packaging, straps, etc. have been removed from the grill. Remove any tie-down wires from the burners.

Your Hestan grill has provision for mounting onto a mobile cart if you choose to do so. Contact your Hestan dealer for the appropriate cart for your grill. If your grill is mounted on a cart, engage the brakes on the casters to prevent movement of the cart.



LOCATING AND ASSEMBLING THE GRILL *(continued)*

Ensure that the burners are positioned correctly on their orifices, and are fully seated onto their rear hanger brackets (see Fig. 2). The burners should not move side-to-side or front-to-back if properly seated.

EN

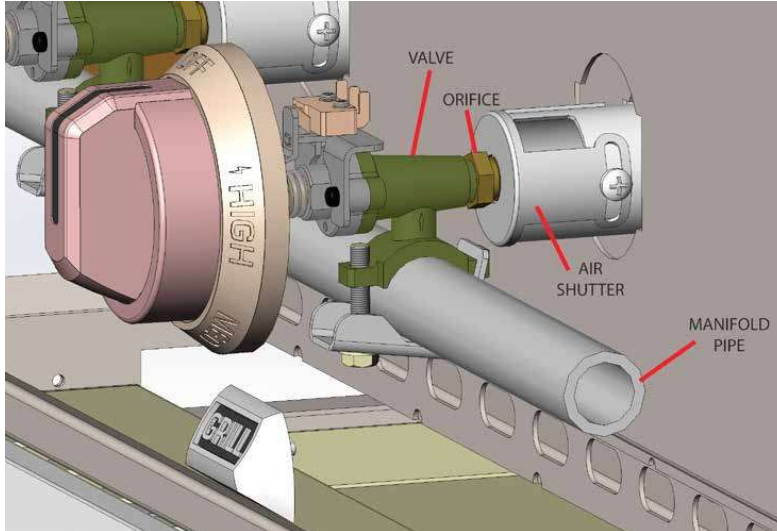


Figure 2

Above each Trellis Burner™ is a stainless steel radiant tray containing specially shaped ceramic briquettes. Position the radiant trays onto the lower ledge of the burner box in the grill, and then install the cooking grates on the upper ledge (see Fig. 3). The burners and radiant trays work together to create a very even heat, front-to-back, left-to-right. The radiant trays also serve to minimize flare-ups, and prevent blockages of the burner ports from falling grease and debris. The radiant trays and Trellis Burners must be used together and are integral to the performance of the grill. Do not cook on the grill without them.

Note: Infrared Sear Burners do not require the radiant trays. NEVER place a radiant tray over a Sear Burner.

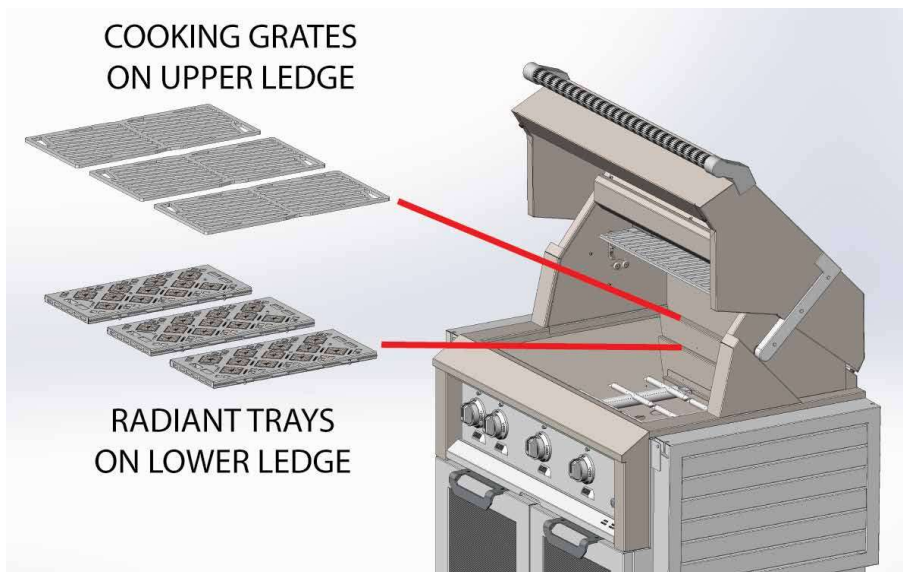


Figure 3

INSTALLATION



CLEARANCES:

TO NON-COMBUSTIBLE CONSTRUCTION

A minimum of 4" (10 cm) clearance from the back of the grill to non-combustible construction is required to allow the hood to be opened fully.

TO COMBUSTIBLE CONSTRUCTION

This appliance should NOT be installed over, under or next to unprotected combustible construction. If your enclosure (island) is combustible, then an insulated jacket manufactured by Hestan, is required. See INSULATED JACKET dimensions below to make allowances in your enclosure for this item. A minimum clearance to vertical combustible material is 12" (30 cm) on the sides and the rear of the appliance.

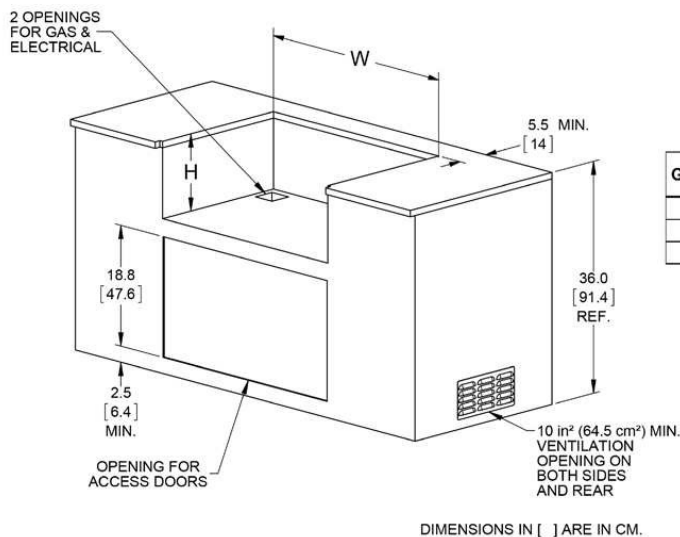
⚠️ WARNING

The minimum vertical clearance to combustible materials means that ALL combustible materials must be outside this 12" (30 cm) zone. As an example, if you have an island with a stucco or tiled surface and wood-frame construction beneath, the wood is considered combustible, even though the grill is touching the stucco or tile surface, which is non-combustible. In extreme circumstances, the wood could potentially get hot enough to burn.

VENTILATION OPENINGS

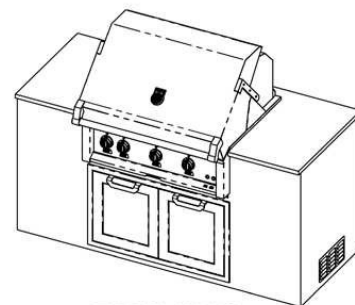
A minimum of three 10 in² (65 cm²) of ventilation openings must be provided for both left and right sides of your enclosure (island), as well as the back. These openings are required to safely dissipate gas vapors if there is a leak in your enclosure.

BUILT-IN DIMENSIONS:

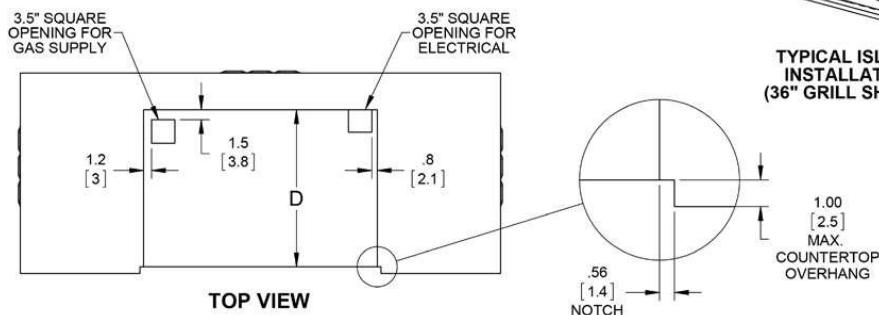


LAYOUT FOR NON-COMBUSTIBLE ENCLOSURE (ISLAND)

GRILL MODEL	W		D		H	
	(in)	(cm)	(in)	(cm)	(in)	(cm)
30" GRILL	29.0	73.7	23.5	59.7	12.0	30.5
36" GRILL	35.0	88.9	23.5	59.7	12.0	30.5
42" GRILL	41.0	104.1	23.5	59.7	12.0	30.5



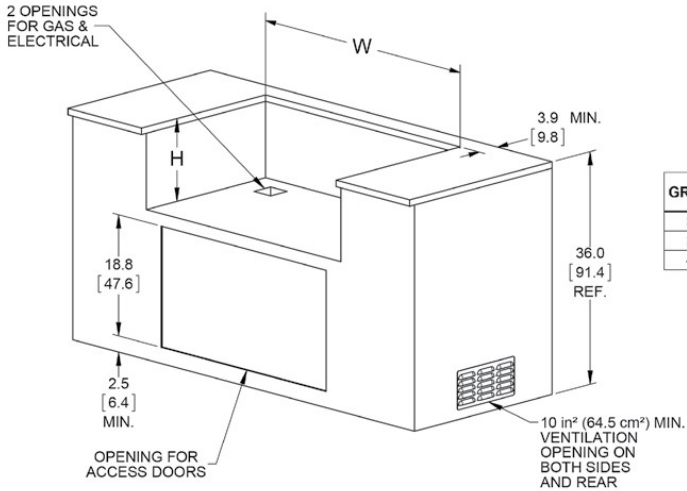
TYPICAL ISLAND INSTALLATION (36" GRILL SHOWN)





INSTALLATION (continued)

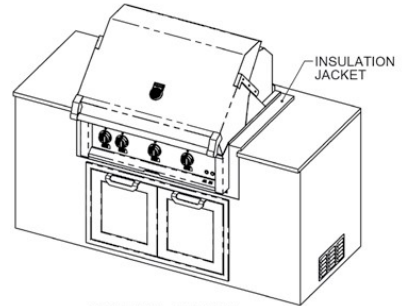
EN



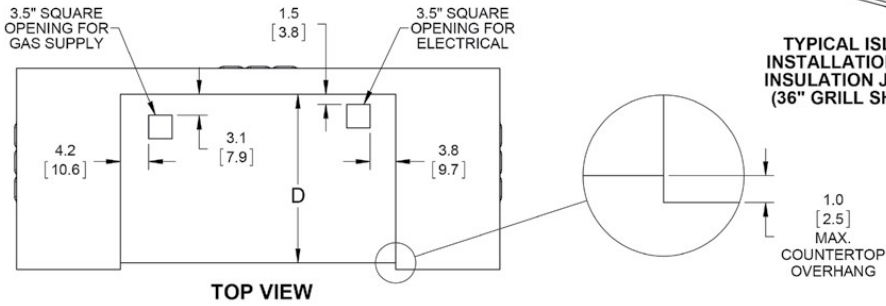
DIMENSIONS IN [] ARE IN CM.

LAYOUT FOR COMBUSTIBLE ENCLOSURE (ISLAND) WITH INSULATION JACKET

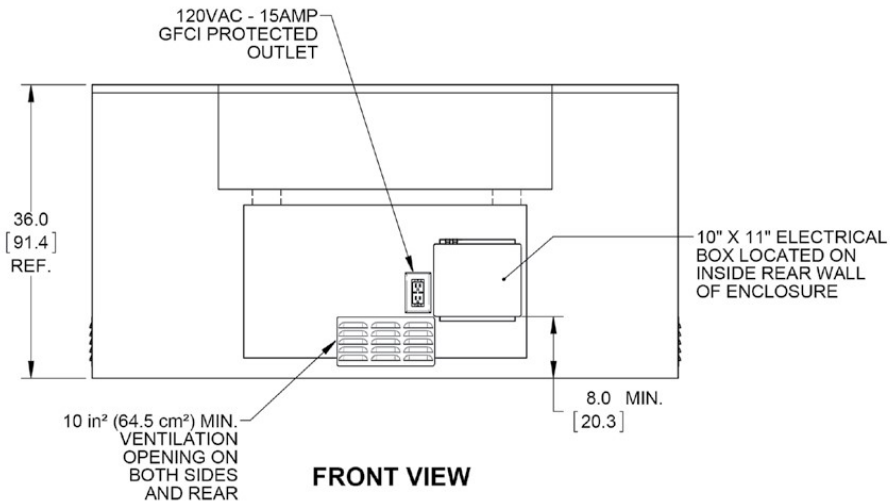
GRILL MODEL	W		D		H		INSULATION JACKET P/N
	(in)	(cm)	(in)	(cm)	(in)	(cm)	
30" GRILL	35.0	88.9	25.1	63.8	12.8	32.5	008649
36" GRILL	41.0	104.1	25.1	63.8	12.8	32.5	008684
42" GRILL	47.0	119.4	25.1	63.8	12.8	32.5	008648



TYPICAL ISLAND INSTALLATION WITH INSULATION JACKET (36" GRILL SHOWN)



TOP VIEW



FRONT VIEW





**HESTAN DELIVERS THE
CONSISTENT CONTROL.**



GAS CONNECTIONS

GAS SUPPLY

The local gas authority or supplier should be consulted at the installation planning stage in order to establish the availability of an adequate supply of gas (NG or LP). If it is a new installation, have the gas authorities or supplier check the meter size and piping to assure that the unit is supplied with the necessary amount of gas supply and pressure to operate the unit(s).

Gas connections should be made by a qualified plumber, or your professional outdoor appliance installer.

All fixed (non-mobile) appliances must be fitted with an accessible upstream gas shutoff valve as a means of isolating the appliance for emergency shut off and for servicing.

Make certain new piping and connections have been made in a clean manner and have been purged so that piping compound, chips, etc. will not clog regulators, valves, orifices, or burners. Use pipe joint compound / thread sealant approved for natural and LP gases.

NEVER CONNECT THE GRILL TO AN UNREGULATED GAS SUPPLY. Before proceeding, ensure the appliance is fitted for Natural or Liquid Propane gas. Connecting to an improper gas type will result in poor performance and increased risk of damage or injury. Gas type and gas consumption (BTU per hour) for each burner type is shown on the rating label affixed to the underside of the drip tray.

Installation of this cooking appliance must be made in accordance with local codes. In the absence of local codes, this unit should be installed in accordance with the National Fuel Gas Code No. Z223.1/ NFPA 54, Natural Gas and Propane Installation code CSA B149-1, or Propane Storage and Handling Code B149.2.

NOTE: See rating label for manifold pressure for the type of gas of your appliance.

CONVERSION KITS

Gas conversion kits are available from your Hestan dealer should you need to convert an LP unit to NG, or vice-versa.

HIGH ALTITUDE KITS

If you live in a high altitude area, 2,000 ft. (610 m) or more above sea level, your grill will require different orifices for proper combustion and performance. High altitude kits are available through Hestan Customer Service. Please have your model and serial number information ready when you call.

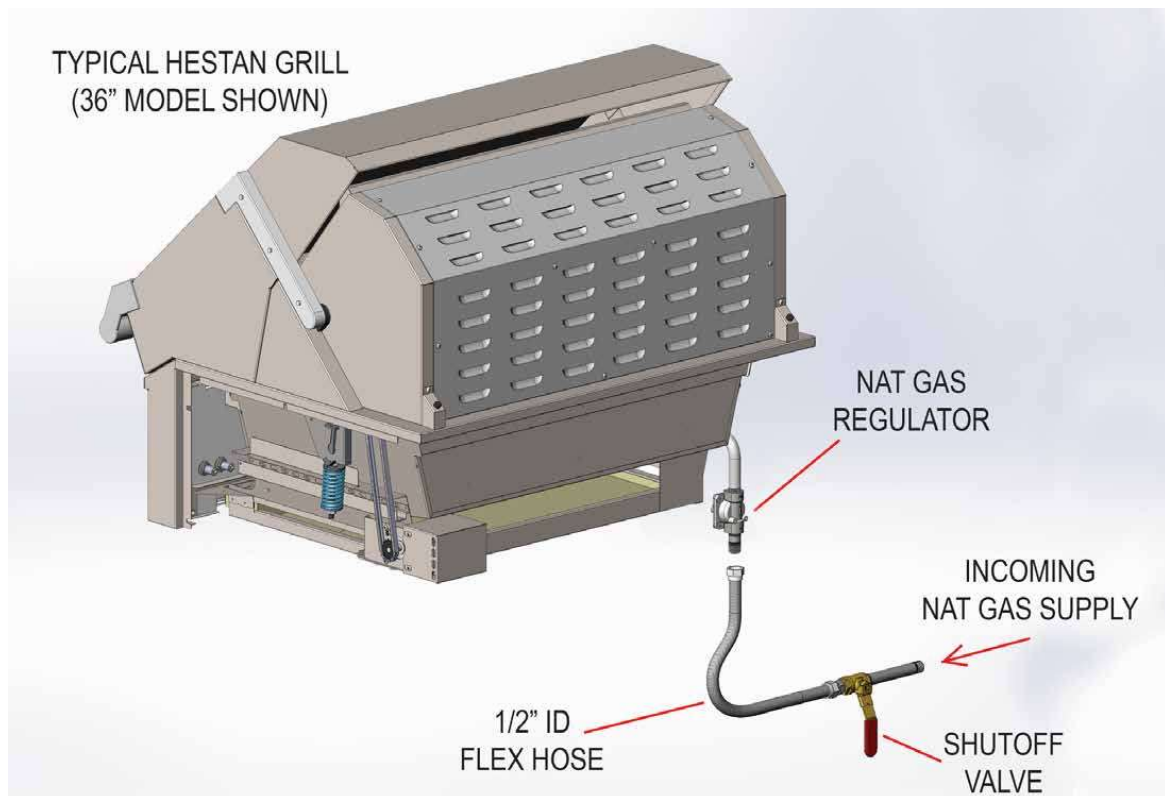
GAS CONNECTIONS *(continued)*



GAS CONNECTION - NATURAL GAS (NG)

NOTE: To ensure proper heating performance of this appliance, verify that the gas line supply pressure is adequate (7.0" WC supply pressure is preferred) to maintain 4.0" WC manifold pressure. Use a minimum 1/2" ID flex hose to prevent gas starvation. Ensure that the service pipe supplying the grill is fitted with a shut-off valve conveniently positioned and easily accessible as an emergency gas shut-off.

EN



Your Hestan grill for use with Natural Gas is supplied with its own regulator which MUST NOT be removed. If this regulator needs to be replaced, use only the type specified by Hestan for this appliance.

To connect the regulator / hose assembly follow the next steps:

1. Locate the regulator and gas connection point in the rear right side of your grill (in cart-mounted models, remove the rear panel to gain access).
2. Install the natural gas regulator as shown. Connect gas supply using a minimum 1/2" diameter flexible (semi-rigid) stainless steel gas hose, no more than 48" in length. The hose as well as the connectors must comply with the *Standard for Connectors for Outdoor Gas Appliances and Manufactured Homes, ANSI Z21.75 • CAS 6.27*, and suitable for outdoor installation. Use the appropriate thread sealant on all connections.
3. Proceed to LEAK TESTING section.

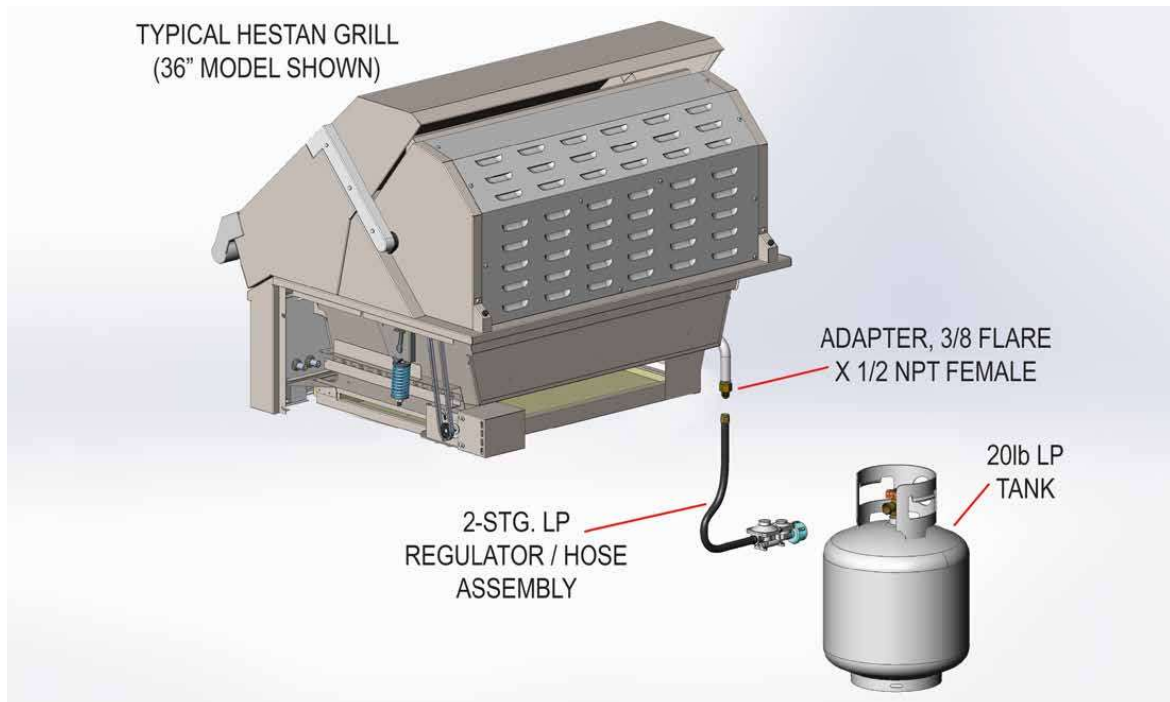


GAS CONNECTIONS *(continued)*

GAS CONNECTION - LIQUID PROPANE (LP) CYLINDER

Your Hestan grill for use with LP gas is supplied with a two-stage regulator/hose assembly for connection to a standard 20 lb. LP gas cylinder. This assembly must be used WITHOUT alteration. If this assembly needs to be replaced, contact your Hestan dealer for genuine replacement P/N 006256.

NOTE: To ensure proper heating performance of this appliance, verify that the supply pressure is adequate (11.0" WC supply pressure is preferred) to maintain 10.0" WC manifold pressure.



To connect the regulator / hose assembly follow these steps:

1. Locate the regulator and gas connection point in the rear right side of your grill (in cart-mounted models, remove the rear panel to gain access).
2. Connect the regulator/hose assembly to the 3/8" Flare (compression flare fitting) X 1/2" NPT female adapter as shown.
3. Connect the regulator/hose assembly to a standard 20 lb. LP cylinder. The hose as well as the connectors must comply with the *Standard for Connectors for Outdoor Gas Appliances and Manufactured Homes, ANSI Z21.75 • CAS 6.27*, and suitable for outdoor installation. Use the appropriate thread sealant on all connections.
4. Proceed to LEAK TESTING section.

GAS CONNECTION - LP PIPED SYSTEMS

An LP piped system is one with a large central LP tank that feeds an entire household. These systems are normally equipped with a high pressure regulator by the large LP tank, and low pressure regulators close to the home. The gas line connectors must comply with the *Standard for Connectors for Outdoor Gas Appliances and Manufactured Homes, ANSI Z21.75 • CAS 6.27*, and suitable for outdoor installation. The connection shall be 6 feet (1.82 m) or less.

NOTE: To ensure proper heating performance of this appliance, verify that the supply pressure is adequate (11.0" WC supply pressure is preferred) to maintain 10.0" WC manifold pressure.

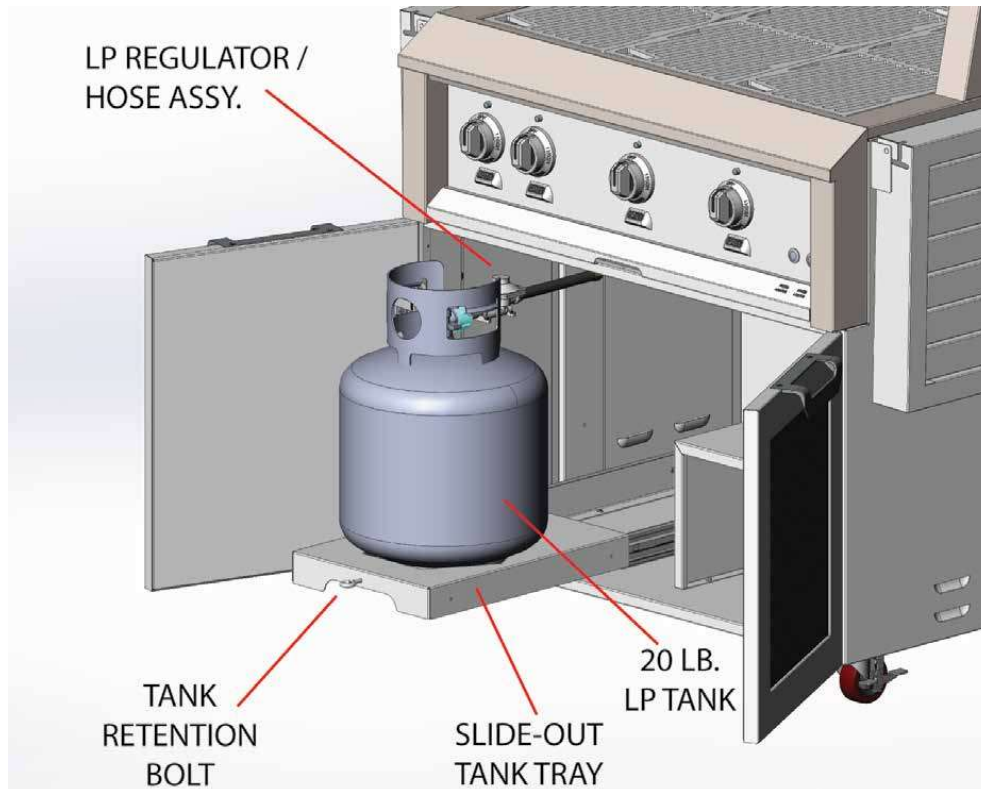
GAS CONNECTIONS *(continued)*



LP TANK RESTRAINT

If you purchased a Hestan Grill on a cart, be sure to restrain the LP cylinder by securing it with the retention bolt on the slide-out tray as shown below. It is important the tank does not fall over or stretch the hose which could cause a gas leak.

EN



LEAK TESTING

GENERAL

Although all gas connections on your Hestan grill are leak tested at the factory prior to shipment, a complete gas tightness check must be performed at the installation site due to possible movement in shipment, or excessive pressure unknowingly being applied to parts of the unit. Periodically check the whole system for leaks, or immediately check if the smell of gas is detected.

BEFORE TESTING

- Do not smoke while leak testing.
- Never leak test with an open flame.
- Make a soap solution of one part liquid detergent and one part water for leak testing purposes.
- Apply the solution to the gas fittings by using a spray bottle or a brush.
- For LP units, always check with a full LP cylinder.



GAS CONNECTIONS *(continued)*

TO TEST

- Make sure all control valves are in the “OFF” position.
- Apply the soap solution described above to all fittings.
- Turn the gas supply on.
- Check all connections from the supply line, or LP cylinder up to and including the manifold pipe assembly.
- Soap bubbles will appear where a leak is present. If a leak is present, immediately turn off gas supply, tighten any leaking fittings, turn the gas supply back on, and recheck.
- If you cannot stop a gas leak, turn off the gas supply and call the dealer where you purchased your grill.
- Do not use the grill until all connections have been checked and do not leak.

IMPORTANT NOTE - ALWAYS CHECK FOR LEAKS AFTER EVERY LP CYLINDER CHANGE.

If a leak is present, or if there is evidence of excessive abrasion or wear, or the hose is cut, it must be replaced before using the grill. The hose and LP regulator are supplied as a complete assembly and must be replaced together. Do not attempt to repair or replace the hose itself. Contact your Hestan dealer for genuine replacement P/N 006256.

Check all gas supply fittings for leaks before each use. It is handy to keep a spray bottle of soapy water near the shut-off valve of the gas supply line. Spray all the fittings. Bubbles indicate leaks.

ELECTRICAL SUPPLY

Important: This appliance must be electrically grounded in accordance with local codes, or in the absence of local codes with the National Electrical Code, *ANSI/NFPA 70-1990*.

⚠ WARNING

Appliances equipped with a flexible electrical supply cord are provided with a three-prong grounding plug. It is imperative that this plug be connected to a properly grounded three-prong receptacle. If the receptacle is not the proper grounding type, contact an electrician. Do not remove the grounding prong from this plug.

The grill is designed for 120 volt AC power and must be plugged into a Ground Fault Circuit Interrupter (GFCI) protected circuit. Do not connect the grill to the electrical supply until after gas connections have been made and leak checks have been performed.

KEEP ANY ELECTRICAL CORD AND FUEL SUPPLY HOSE AWAY FROM ANY HEATED SURFACES.

1. To protect against electric shock, do not immerse cord or plugs in water or other liquid.
2. Unplug from the outlet when not in use and before cleaning. Allow to cool before putting on or taking off parts.
3. Do not operate any outdoor cooking gas appliance with a damaged cord or plug, or after the appliance malfunctions or has been damaged in any manner. Contact the manufacturer for repair.
4. Do not let the cord hang over the edge of a table or touch hot surfaces.
5. Do not use an outdoor cooking gas appliance for purposes other than intended.
6. Use only a Ground Fault Circuit Interrupter (GFCI) protected circuit with this outdoor cooking gas appliance.
7. Never remove the grounding prong or use with a 2-prong ground adapter.
8. Use only extension cords with a 3-prong grounding plug, rated for the power of the equipment, and approved for outdoor use with a W-A marking.

GAS CONNECTIONS *(continued)*



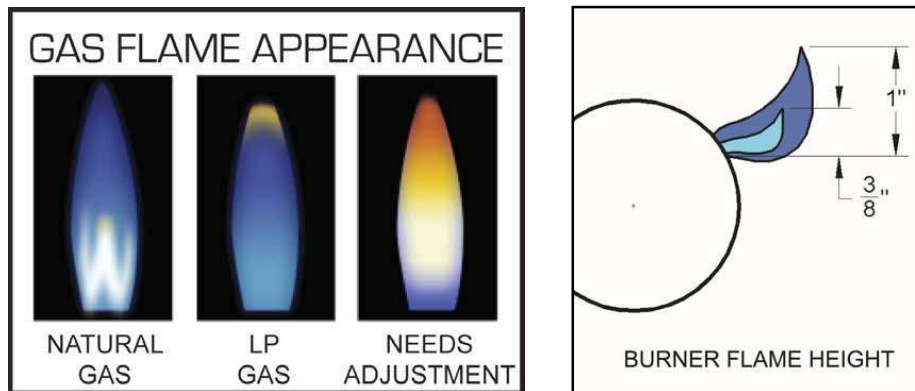
BURNER ADJUSTMENTS

Hestan grills feature the unique Trellis Burner™, and infrared Rotisserie and Sear Burners. The following instructions apply only to the Trellis Burner.

TRELLIS BURNER™ FLAME ADJUSTMENT

Each grill burner is tested and adjusted at the factory prior to shipment. The proper orifice for the gas type, and the air-fuel (air shutter) adjustment was made at this time. However, variations in the local gas supply, the elevation where you live, converting from one gas type to another, and other factors might make it necessary to adjust the burner flames.

The flames of the burners should be visually checked and compared with the figures below.



Flames should be blue and stable with no yellow tips (LP units will have some yellow tipping). There should be no excessive noise or flame lifting. If any of these conditions exist, remove the burners and check if dirt, debris, spider webs, etc., are blocking the air shutter or burner ports. Proceed with air shutter adjustment if necessary.

AIR SHUTTER ADJUSTMENT

Remove the control panel to gain access to the orifice area and air shutters on the burners. A metal cap at the inlet of the burner called the "AIR SHUTTER" regulates the amount of air that enters into the burner for combustion (see Fig. 4). The air shutter has a lock screw which must be loosened prior to adjustment. Remove the burner carefully from the grill. With a marker pen, mark the current location of the shutter opening, then loosen the screw of the air shutter. Reinstall the burner. Make certain that the burners are sitting properly on the orifices taking care not to move or damage the igniter electrodes. Reinstall the radiant trays.

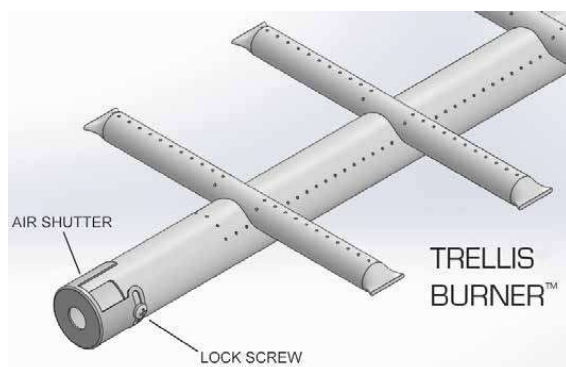


Figure 4



GAS CONNECTIONS *(continued)*

Light the burner and adjust as follows:

- Turn the valve on “HIGH”, light the burner and allow it to warm up for 10 minutes. Be careful because the burner will be hot from this point forward.
- If the flame is yellow, indicating insufficient air, turn the air shutter counter-clockwise to allow more air to the burner.
- If the flame is noisy and tends to lift away from the burner ports, indicating too much air, turn the air shutter clockwise to reduce the amount of air to the burner.
- Once you have established a good flame, make a new mark with the marker pen.
- Remove the burner again and retighten the lock screw of the air shutter taking note of your newly marked position.
- Repeat this process for each burner.
- Perform one last check that all burners are properly seated on their orifices and rear hanger bracket.
- Reinstall all radiant trays and cooking grates.
- Reinstall the control panel and control knobs.

VALVE ADJUSTMENTS

The valves on your Hestan grill are preset at the factory for optimum performance. However, the low setting on these valves are adjustable if altitude, low-heat performance, converting from one gas to another, or other factors indicate an adjustment is needed. It is not recommended to adjust the Rotisserie or Sear Burner valves.

▲WARNING

NEVER ADJUST THE BURNER SO LOW THAT IT MAY GO OUT DURING USE. DO NOT OPERATE THE GRILL WITH THE LOW HEAT SCREW REMOVED. GAS CAN ESCAPE AND CAUSE A POTENTIALLY HAZARDOUS CONDITION.

ADJUSTMENT STEPS:

1. Remove the control knobs, drip tray, and control panel from the unit.
2. Follow lighting instructions by setting the control knob on “HI” and allow the burner to preheat for 10 minutes.
3. Turn the control knob to “LOW” and wait for the burner temperature to drop and stabilize, about 10 minutes. Attempting adjustment at any setting other than LOW can create a dangerous condition.
4. Insert a small flat-blade screwdriver into the valve stem to begin the adjustment (see Fig. 5). The screw only has 2-3 complete revolutions of adjustment. After this, the screw may continue to turn, but is actually coming out of the valve and could result in a gas leak. DO NOT turn more than 3 revolutions!
5. Turn counter-clockwise very slowly to INCREASE the low flame. The flame will take a few seconds to respond to the adjustments you are making.
6. Adjust the flame so the burner is still fully lit on all ports, without fluttering or going out. Turn off the burner and re-light. Check the new low setting once again to assure proper adjustment is reached. Reattach the control knob.

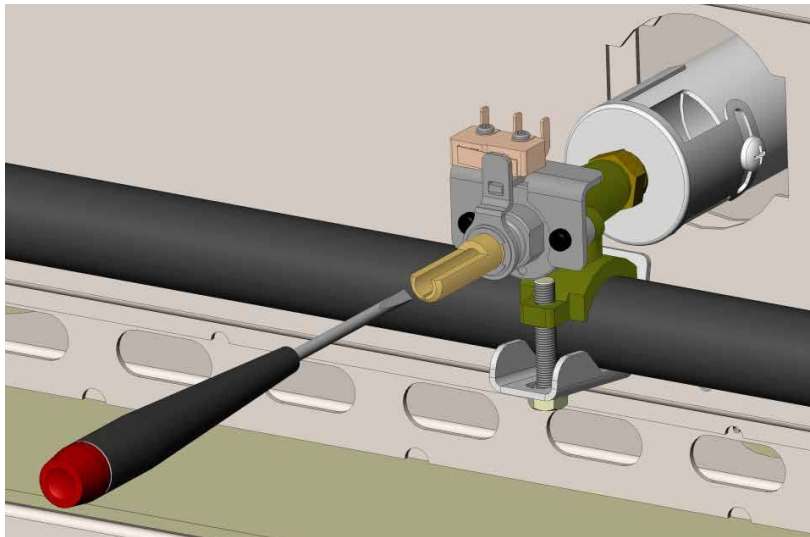


Figure 5

INFRARED BURNER FLAME ADJUSTMENT

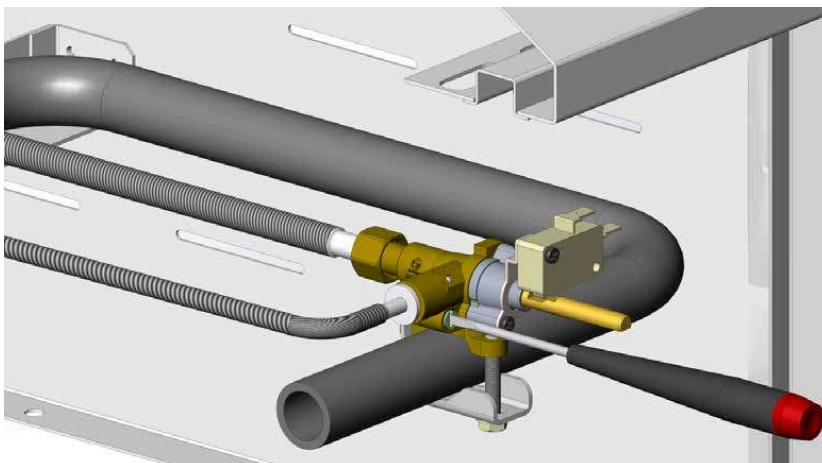
Infrared burners do not require adjustment and need only be checked visually for proper performance. On HIGH, an infrared burner should glow red evenly over its entire surface. A diminished red glow and/or a large blue “halo” of flame on the surface of the infrared burner indicates improper airflow or a blockage at the burner itself. Call for service.

SIDE BURNER FLAME ADJUSTMENT

Hestan side burners are preset at the factory for optimum performance. However, these valves also feature a low flame (simmer) adjustment if altitude, low-heat performance, converting from one gas to another, or other factors indicate an adjustment is needed. Follow the same procedure as described above for Trellis Burner™ valve adjustment.

⚠️ WARNING

NEVER ADJUST THE SIDE BURNER SO LOW THAT IT MAY GO OUT DURING USE.





LIGHTING INSTRUCTIONS

Hestan Grills feature hot-surface igniters for all Trellis Burners™, and infrared Rotisserie and Sear Burners. The hot-surface igniters feature a “time-extender” function which maintain the hot glow of the igniter for a longer period of time to ensure successful lighting of the burners.

Note: The time extender feature applies to the main burners only, not the rotisserie.

If your grill is equipped with a Hestan Side Burner, it features a spark-ignition system with flame-sensing technology which will relight the flame should it go out.

All burners can be manually lit should that become necessary.

CONTROL KNOB LAYOUT

Seen here is a typical layout (36” model shown, Fig. 6) for the control knobs. The rotisserie control is always to the far left side. Control panel LED lights and rotisserie motor switches are on the far right.

The lighting instructions for all burners are on the drip tray handle on the far left side of the grill.



Figure 6

LIGHTING GRILL BURNERS (Trellis Burner™ or Sear Burner)

1. Read Use & Care Manual before lighting. Open lid during lighting. Stand as far away as possible when lighting.
2. Push & hold selected knob for 5 seconds, then turn to “HIGH”. Burner should light. Once lit, adjust flame as needed.
3. If burner does not light in 5 seconds, turn knob to “OFF” and wait 5 minutes before re-lighting.
4. If burner fails to light, see USE & CARE MANUAL for match lighting instructions.

LIGHTING ROTISSERIE BURNER

1. Push & hold the knob for 5 seconds, then turn to the “HIGH”. Continue to hold in the knob for at least 30 seconds after lighting. Rotisserie burner should stay lit and begin to glow. Release the knob, burner should stay on.
2. If burner does not stay lit, turn knob to “OFF” and wait 5 minutes before re-lighting.
3. If burner fails to light, see USE & CARE MANUAL for match lighting instructions.

LIGHTING INSTRUCTIONS *(continued)*



LIGHTING SIDE BURNERS

1. Read Use & Care Manual before lighting. Remove cover during lighting.
2. Stand as far away as possible when lighting.
3. Push and turn selected knob to "HIGH" position. Igniter will spark until flame is established.
4. Once lit, turn knob to desired flame setting. If spark does not occur, check electrical supply.
5. If burner does not light in 5 seconds, turn knob to "OFF" and wait 5 minutes before re-lighting.
6. If burner fails to light, see USE & CARE MANUAL for match lighting instructions.

Note: The flame-sensing technology of the spark igniter will repeatedly spark (clicking sound) until a flame is established. If you experience nuisance sparking during normal operation of the burner, see the TROUBLESHOOTING section of this manual. A very low flame in windy conditions is usually the cause of this nuisance sparking.

MATCH LIGHTING INSTRUCTIONS

If a burner will not light after several attempts, it can be lit with a match. Open the hood and allow 5 minutes for any accumulated gas to dissipate from the grill. Use a long-stem fireplace match, or attach a short match to the match lighting clip provided with your Hestan Grill (see below Fig. 7).

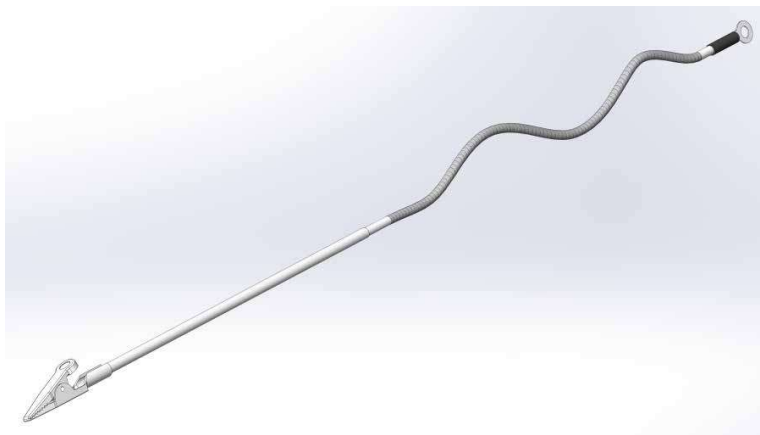


Figure 7

When attempting to light a burner with a match, be sure you selected the correct control knob for that burner. Keep your face away as far as possible, and pass the lit match through the openings of the cooking grates and radiant trays and position near the burner ports. Push and turn the control knob to "HIGH" until the burner lights. Repeat this procedure for each burner if necessary. If the burner does not light in 5 seconds, turn the control knob to "OFF" and wait 5 minutes before trying again. If the burner will not light after several attempts, see the TROUBLESHOOTING section of this manual. Side burners can be lit in the same manner, although a long match may not be needed.

In sunny locations, infrared Rotisserie and Sear Burners may be difficult to see if they are lit. After attempting to light, you can very carefully wave your hand 8-10 inches (20-25 cm) away from the burner surface to feel the heat of the burner. If there is no heat, OR IF YOU SMELL GAS, shut off the control knob and wait 5 minutes before attempting to re-light.

**WE WILL NEVER BE
SATISFIED WITH THE
STATUS QUO;
WE ARE THE
RESTLESS ONES,
THE DREAMERS,
THE TINKERERS.**



USING YOUR GRILL



Your Hestan Grill is a powerful and versatile cooking tool. Traditional grilling requires high heat for searing and proper browning. Many meats are initially cooked on “HIGH” to sear / brown the meat and lock in juices. After that, the temperature can be lowered to complete the cooking, such as with large pieces of meat or poultry. This method will cook the food through without burning the outside. Traditional barbecuing (foods cooked for a long time at low heat) is also possible with your Hestan Grill. As with any new tool, it will take a little practice to get to know your new grill, how hot it runs, cooking times for your favorite foods, etc. DO NOT leave the grill unattended while cooking.

EN

PREHEATING

A typical preheat time for the Trellis Burner™ is about 10-15 minutes on “HIGH”. The infrared Rotisserie and Sear Burners also require 10-15 minutes pre-heat time.

TEMPERATURE GAUGE

The large temperature gauge in your Hestan grill hood indicates when your grill is ready for cooking. The dial reads the air temperature in your grill. Please add about 200°F (93°C) for the surface grate temperature (see Fig. 8).

COOKING WITH TRELIS BURNERS™ AND SEAR BURNERS

The unique shape of the Hestan Trellis Burner was designed with even heating in mind. The burners, along with the specially designed valves, allow for a broad range of cooking temperatures. The Trellis Burner can sear and grill your meats on high heat, or be dialed down low for authentic barbecuing. The radiant briquette trays are an integral part of this cooking system. They serve to even out the heat, while also reducing flare-ups and vaporizing drippings which release aromas that are absorbed by the meat.

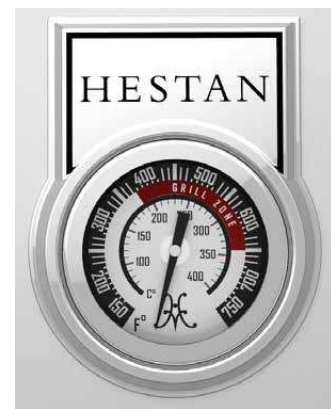


Figure 8

For those seeking a little more, the extreme heat of the Hestan Infrared Sear Burners offer even more power for those wishing a quick sear to lock in flavor, while still retaining temperature control. However, your grilling times are much shorter. The mesh screen on the burners serve to protect the ceramic tiles from food debris and drippings which might clog the thousands of pores in the tiles. Most drippings and grease will instantly vaporize on contact with the hot screen and tiles.

COOKING WITH THE ROTISSERIE

Rotisserie cooking provides an even delivery of heat to your foods. The constant rotation not only cooks foods evenly, it also self-bastes the food as the juices rise to the surface and naturally flow around it. The position of the Hestan rotisserie burner ensures no flare-ups are possible and heat is not directed at you when the hood is open. Your foods will be more evenly cooked, more tender, and juicier when slow-roasted on a Hestan rotisserie.

Before rotisserie cooking, swing the warming rack down and out of the way. It will rest in place against the rear wall, or it can be removed from the grill. A roasting pan is provided with your grill to catch excess drippings from clogging your burners below. Be sure you remove it after using your rotisserie and before using the other burners.

The Hestan rotisserie system consists of three main parts: the motor, the spit & forks, and the infrared Rotisserie Burner.

THE MOTOR

Your Hestan Grill features an integral, chain-driven, AC motor which can handle a load of 50 in-lbs and a maximum diameter of 10 inches (25 cm). The Grill must be connected to AC power for the rotisserie to work. The speed is not adjustable but should provide a respectable speed for the majority of your rotisserie cooking needs.



USING YOUR GRILL *(continued)*

THE SPIT & FORKS

The rotisserie can handle large food items up to 50 lbs. You should prepare your food items and first mount it on the spit, then mount the forks. Push the pointed end of the spit through the food and center on the spit. Push on one fork and embed into the food, then tighten the thumb screw (use pliers if necessary). Repeat this process for the opposite fork. You should wrap any loose, dangling pieces of food (like wings) with butcher's string (never use nylon or plastic string).

With the food secured to the spit, slowly roll the spit in the palms of your hands to check for balance. It should rotate smoothly. If you find it has a heavy side, adjust where the spit pierces the meat. An unbalanced spit will cause uneven rotation and uneven cooking. It is normal for the spit to flex with large foods during cooking.

Then mount the spit on the grill before lighting the rotisserie infrared burner. Lighting the burner first could result in burning your hands while trying to mount the spit in the grill. Insert the pointed end of the spit into the square drive receiver in the right wall of the grill, and rest the other end on the rollers on the left wall of the grill. Turn on the motor to check the rotation and balance of the food on the spit. Make adjustments as needed.

THE ROTISSERIE BURNER

The Hestan infrared rotisserie burner features a safety valve that automatically shuts off the gas flow any time the burner is not properly lit, such as if it were to go out in windy conditions. The location of the rotisserie burner should be less susceptible to strong wind conditions, but during windy conditions, it's best to keep the hood closed and to periodically check the burner. To light the burner, see the LIGHTING INSTRUCTIONS section of this manual.

NOTICE: Avoid directing water on the Rotisserie Burner as this may damage the ceramic burner panels. Water damage to your Rotisserie Burner is not covered by the warranty.

NOTE: The grill thermometer should not be used for rotisserie cooking. It is not designed to read direct infrared heat.

WOOD CHIP SMOKER

By using real wood chips in the smoker system of your Hestan grill, you can add extra flavor to all of your grilled foods.

1. Soak the wood chips for at least 30 minutes before you plan to use the smoker. Drain completely.
2. Fill the smoker tray with the drained wood chips.
3. Place the smoker tray on the cooking grate where the temperature is correct to smolder the chips, not burn them. You do not want the chips to ignite. Smoke should begin in about 20-30 minutes.
4. When there is no more smoke, use the removal tool supplied with the smoker tray to carefully remove it from the grill. Allow it to cool completely before attempting to refill the tray with more chips.



CLEANING AND MAINTENANCE

STAINLESS STEEL CARE

Stainless Steel is widely used for catering and residential kitchen equipment because of its strength, its ability to resist corrosion, and its ease of cleaning. Unfortunately, the metal is often taken for granted and it is assumed that no problems will arise during its usage. However, some care is required to ensure a long service life of the grill.

To maintain the original appearance of your Hestan grill, a regular cleaning routine should be carried out using the following guidelines:

CLEANING AND MAINTENANCE *(continued)*



1. After use, following the safety precautions detailed earlier in this manual, wipe the grill with a soft, damp, soapy cloth and rinse with clean, warm water. This should remove most substances encountered during the grilling process.
2. For stubborn stains, including burnt-on grease and food-borne deposits, use a multipurpose, non-abrasive, cream cleanser and apply with a soft damp cloth. Rinse with fresh water, as described above. On no account should steel wool pads be used unless they are made of stainless steel.
3. Harsh abrasives and metallic scouring materials should not be used for cleaning stainless steel as they will leave scratch marks in the surface and damage the appearance of the grill. Likewise, do not use wire brushes, scrapers or contaminated scouring pads.
4. For those areas with a directional grain, any cleaning with abrasives should be carried out along this grain direction and not across it.
5. After use, always remove wet cleaning aids (such as cloths, pads, containers) from the surface, to avoid formation of water marks or stains.
6. If required, dry the grill after use with a soft dry cloth or towel.

If the preceding guidelines are adhered to, your Hestan grill should offer excellent life and should live up to its reputation of being “stainless”. Neglect of this practice, however, can lead to deterioration of the surface and, in some extreme cases, corrosion of the steel itself. The two most common types of corrosion that may be encountered, particularly on stainless steel, are rust marks and pitting of the surface.

RUST-BROWN MARKS

These rust marks are likely the result of small particles of “ordinary-steel” which have become attached to the surface and have subsequently rusted in the damp environment. The most common source of such particles is from steel wool scouring pads, but contamination may also occur from carbon steel utensils and old water supply pipes. These brown marks are only superficial stains, which will not harm the grill. They should be removable using a soft damp cloth and a multi-purpose, non-abrasive, cream cleanser. Occasionally, it may be necessary to resort to a proprietary stainless steel cleanser to return the surface of the grill to its original condition. To avoid re-occurrence of any “rust-staining”, it is essential that the source of the contamination is eliminated. A Hestan grill cover will go a long way toward preventing this kind of contamination.

PITTING

A more severe form of corrosion is pitting of the surface. The sources of this corrosive attack can usually be attributed to certain household products such as bleach, household cleaners containing bleach (sodium hypochlorite), and pool chlorine. If you see pitting of the stainless steel surface, you can attempt to buff it out using stainless steel abrasive pads, but in most cases, pitting of the surface cannot be removed.

FOODSTUFFS

In general, stainless steel is fully resistant to all foodstuffs in common use. Only in isolated cases, such as when concentrated salt and vinegar mixtures are allowed to remain in contact with the steel for a prolonged period, can any surface marking result. Clean the surface as per instructions above.

CARE OF PAINTED SURFACES (IF APPLICABLE)

Hestan grills are available in standard stainless steel, or 11 optional colors. The tough powder-coating on these panels are commonly used on automotive parts, and commercial and residential appliances because of their excellent chip resistance, and resistance to a variety of chemicals. The finish should hold up well outdoors in most conditions. However, like any painted surface, special care must be taken when cleaning this finish.



CLEANING AND MAINTENANCE *(continued)*

To clean your powder coated surface:

1. Carefully remove any loose deposits with a wet sponge.
2. Use a soft brush (non abrasive) or cloth, and a mild household detergent solution to remove dust, salt and other deposits. Never use any solvent-based cleaners, stainless steel cleaners, heavy degreasers, oven cleaners, etc. on the painted surfaces. They can permanently damage the paint.
3. Rinse off with clean fresh water and dry with a clean cloth.

CARE & MAINTENANCE OF GRILL COMPONENTS

GRILL GRATE AND WARMING RACK

The easiest way to clean the cooking grates is immediately after cooking is completed and after turning off the flame. Wear a grill mitt to protect your hand from the heat and steam. Dip a brass bristle grill brush in hot soapy water and scrub the hot grill rack. Dip the brush frequently in the bowl of water. The steam created as water contacts the hot grill, assists the cleaning process by softening any food particles. The food particles will fall through the grates and burn. If the grill is allowed to cool before cleaning, then cleaning will be more difficult.

DRIP TRAY

The drip tray should be cleaned after every usage of the grill. Leaving a dirty drip tray in place will attract insects and rodents. After allowing the grill to cool completely, remove the drip tray by pulling it out of the grill. After cleaning, reinstall the tray.

GRILL BURNERS

The briquette radiant trays should protect the Trellis Burners™ completely. However, it may become necessary to clean the burners, or to clean the firebox beneath the burners. Before removal, make sure the gas supply is OFF and the control knobs are in the OFF position. Allow the grill to cool completely, then lift off the cooking grates and radiant trays. To remove burners, lift the rear of the burner out of the hanger bracket slightly, then rotate the burner to the left slightly to clear the igniter shroud at the front of the firebox, then move the burner toward the rear of the firebox until it is out. The burner is made out of a high-grade, 300-series stainless steel which can be cleaned with a brass-bristle brush and warm, soapy water. Do not clean the ports with a toothpick or other item which may break off inside the port. Use a paperclip or needle to do this. Stubborn scale can be removed with a metal scraper. Be sure to rinse everything well and shake out any water and debris trapped inside the burner tube.

Great care should be used when re-installing the burner. It must be correctly centered and secured on the orifice before any attempt is made to relight the grill. The rear burner bracket should lie flat and not have any side-to-side movement. See the LOCATING AND ASSEMBLY section of this manual for details on proper burner installation.

ROTISSERIE BURNER CLEANING

Due to the upper location of the Rotisserie Burner, it should not be necessary to clean it, unless food debris or juices have sprayed onto the tiles. Should this happen, after removing the food item & spit, turn the burner back on again for an additional 5 minutes to allow the burner to vaporize any residue. Do not attempt to clean the tile ports with a toothpick or other item which may break off inside the port. If needed, you may also wait until the burner has cooled completely and brush the tile faces to remove any accumulated ash.

NOTICE: Avoid directing water on the Rotisserie Burner as this may damage the ceramic burner panels. Water damage to your Rotisserie Burner is not covered by the warranty.

SEAR BURNER CLEANING

When used correctly, it should not be necessary to clean Hestan Infrared Sear Burners. The hot screen and tiles vaporize anything that falls on them. However, if food debris or drippings were

CLEANING AND MAINTENANCE *(continued)*



to fall on an unused (not lit) Sear Burner, you can remove the mesh screen and brush the screen and tiles with a stiff brush. Be sure to do this only when completely cooled down. DO NOT use a metal scraper on the tiles, or put a lot of pressure on the tile faces as they may crack. Alternatively, you can turn on the sear burner to burn everything off.

NOTICE: Avoid directing water into the Sear Burner as this may fill up the inside of the burner housing with water, not allowing it to burn properly. Water intrusion could also damage the ceramic tiles. Water damage to your Sear Burner is not covered by the warranty.

ORIFICE CLEANING

You will need to remove the burner first. It may also be helpful to remove the control panel to get a better look at the orifice (see Fig. 9). Take note of how far the orifice is tightened onto the valve. With the burner removed, remove the orifice from the valve and shine a flashlight through the opening to ensure there is no blockage. Use a sewing needle to clear any debris. Be extremely careful not to enlarge the hole or break off the needle. Once clean, be sure to carefully thread the orifice onto the valve by hand, then use a wrench or deep socket wrench to tighten it securely to the same position as before. Replace the burner as per previous instruction.

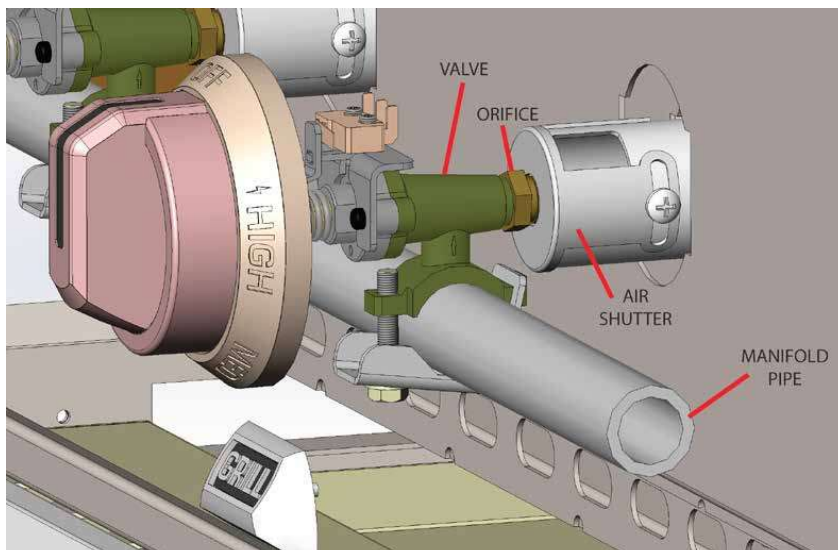


Figure 9

IGNITERS

The hot-surface igniters on your Hestan Grill do not require any maintenance and are well protected from debris falling on them. The spark igniters on the side burner are partially exposed and can be contaminated in the event you have a boil-over when using the side burner. You can gently clean them with a soapy water solution and a toothbrush. Wipe down with a clean cloth.

NOTE: Rough handling of the igniter can crack the ceramic body, causing it to fail. Handle with care.

CLEANING THE BRIQUETTES AND TRAYS:

After allowing the grill to cool completely, turn the radiant tray upside-down and operate the grill on high for 30 minutes. The trays are "double sided" and can be left this way to burn off any encrusted food or grease. The trays can occasionally be scrubbed clean with mild soap & water and a plastic bristle brush. Allow them to cool completely, never handle hot trays. Replace the briquette trays, ensuring that they sit level and do not rock. Light all of the burners and check for proper flame characteristics



CLEANING AND MAINTENANCE *(continued)*

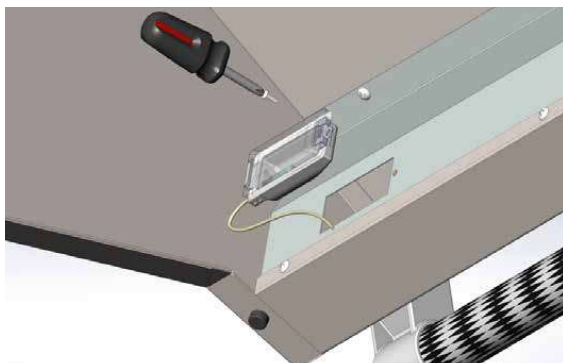


Figure 10

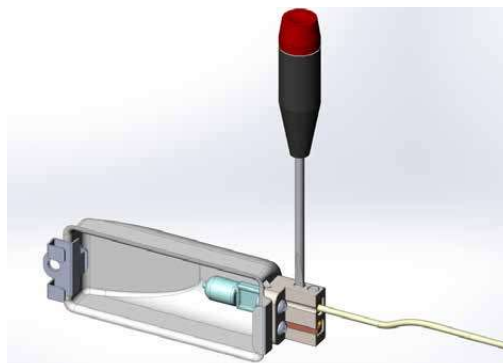


Figure 11

LIGHT BULB REPLACEMENT

1. Disconnect the power to your grill before any service or light bulb replacement. Be sure the grill and the lights are completely cool. Halogen lights get extremely hot.
2. Open hood and remove the small screw holding the lamp assembly in place (Fig. 10). Remove the lamp assembly, being careful not to drop the glass lens.
3. If needed, use a small flat-blade screwdriver to carefully pry off the lens and set aside. Loosen the 2 screws closest to the lamp housing (Fig. 11). These screws hold the bulb in place. The bulb should come out easily.
4. Before installation, it is very important to clean the new bulb carefully with a clean, soft cloth, or tissue paper. Grease, fingerprints, or oils in your skin can leave a residue on the glass surface of the bulb which will create a hot-spot. The bulb will eventually crack at this hot-spot.
5. While still using a cloth or tissue paper, install the new bulb in the housing and tighten the screws. Check that the other tiny screws are tight as well.
6. Re-install the lens and return the lamp assembly to the hood. Carefully install the screw to secure the assembly to the hood.

ADDITIONAL CONSIDERATIONS

Always keep the area around the grill free of obstructions and debris. Maintain at least 12" (30 cm) of space around the grill to ensure proper airflow, and keep all ventilation openings clear and free of debris. Clean appliance after each use, and check for blockages, especially at the burner orifices, after periods of prolonged non-use. To maintain the appearance of your Hestan grill for many years, keep it covered when not in use. Backyard environments are harsh on your grills' finish. Long exposure to sun, water, yard chemicals and the elements could diminish the appearance of the stainless steel. This is very evident in ocean-front locations.

Our appliance materials have been tested in saline solutions with higher salinity than seawater. They have also been tested by exposure to highly acidic foods. During and after these tests, we found these materials were able to withstand exposure over prolonged periods of time. However, the above-mentioned corrosive substances, along with neglect, can lead to a situation whereby conditions might combine to cause some damage to occur. Therefore, we suggest that you always keep your grill clean, dry and covered when not in use. This is even more important when long term storage is required. Always store the grill clean, dry and covered with your Hestan Grill Cover. A dirty grill will attract insects and rodents which is highly unsanitary. In addition, rodents are known to chew on the insulation of wiring which will cause permanent damage to the wiring and possibly electrical components.

For those in desert communities, wind-driven sand is highly abrasive and constant exposure will eventually pit and scratch the surface. Another reason to keep your grill covered when not in use.

TROUBLESHOOTING GUIDE



EN

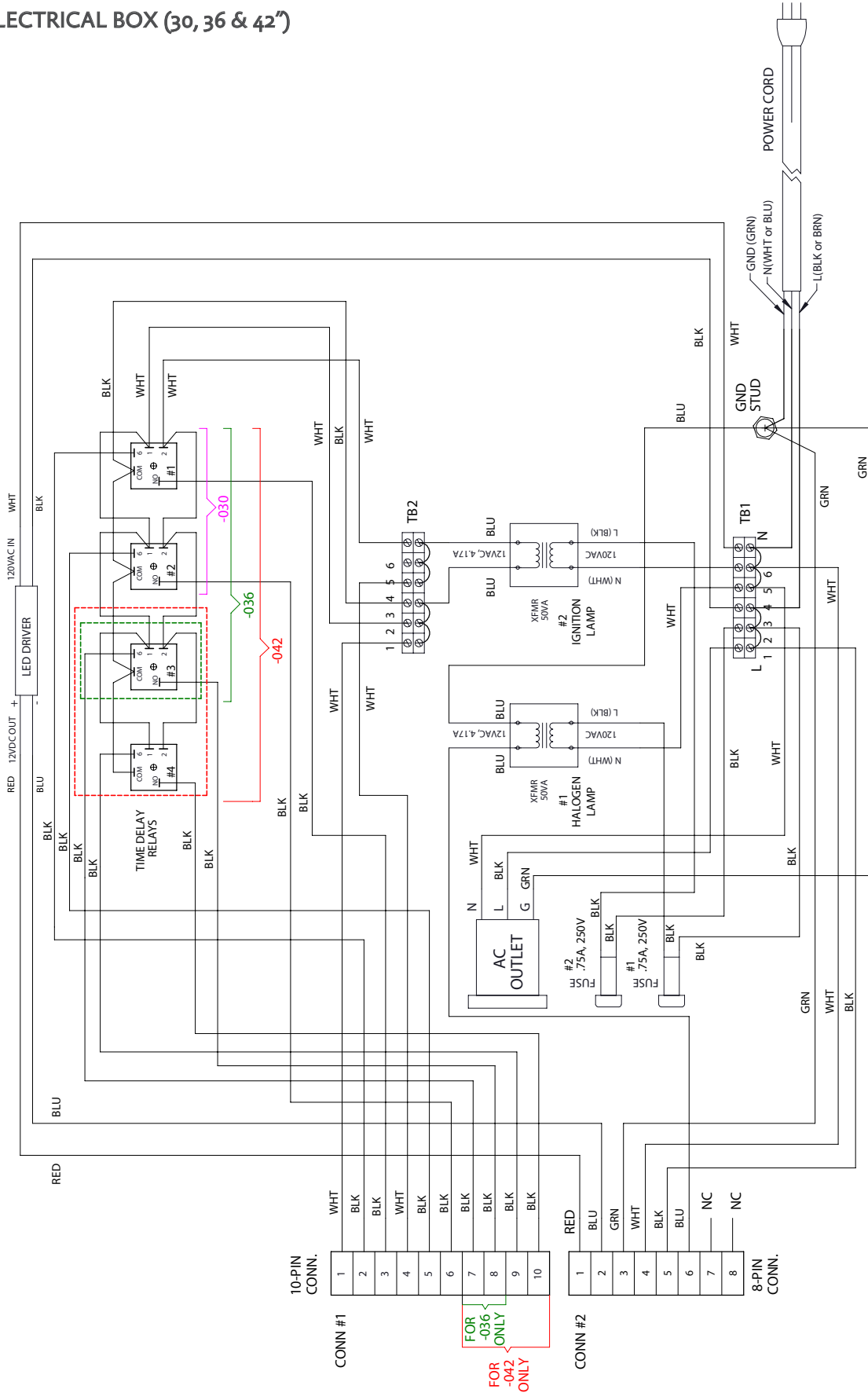
Symptom	Check
Burner will not light	Gas supply not on / shutoff valve closed LP gas cylinder empty Power cord not plugged in, or no power to receptacle, or blown fuse Low gas pressure to unit Burner ports near igniter are obstructed or dirty Burner not installed correctly on orifice Defective or clogged burner valve Incorrect orifice or clogged orifice Igniter defective (not glowing) Defective regulator or regulator installed improperly
Burner will not stay lit	Burner ports obstructed or dirty Vent plugged on regulator or regulator installed improperly Windy conditions Low gas pressure
Slow to heat up	Low gas pressure or low LP cylinder Burner ports are obstructed or dirty Defective or clogged burner valve Incorrect orifice or clogged orifice
Gas Odor	Burner went out or did not light Loose or broken gas line Ruptured pressure regulator Burner not installed correctly on orifice Poor combustion, air-fuel mixture not adjusted properly Obstructed/dirty burner ports
Burner not working well / lazy or yellow flame	Burner ports are obstructed or dirty, check for spider webs Poor combustion, air-fuel mixture not adjusted properly Gas pressure incorrect / incorrect regulator Orifice sized incorrectly for gas type
Rotisserie will not light or will not stay lit	Not holding in the control knob long enough Windy conditions Igniter defective (not glowing) Power cord not plugged in, or no power to receptacle
Interior halogen lights not working	Power cord not plugged in, or no power to receptacle Check for burned-out bulb
Control panel LED lights not working	Power cord not plugged in, or no power to receptacle Check fuse on electrical box.
Rotisserie motor not working	Power cord not plugged in, or no power to receptacle Obstruction or broken chain-drive mechanism – call for service
Side burner will not light	See “Burner will not light” above
Nuisance clicking of side burner	Windy conditions Flame too low Food debris on electrode



WIRING SCHEMATIC

ELECTRICAL BOX (30, 36 & 42")

EN

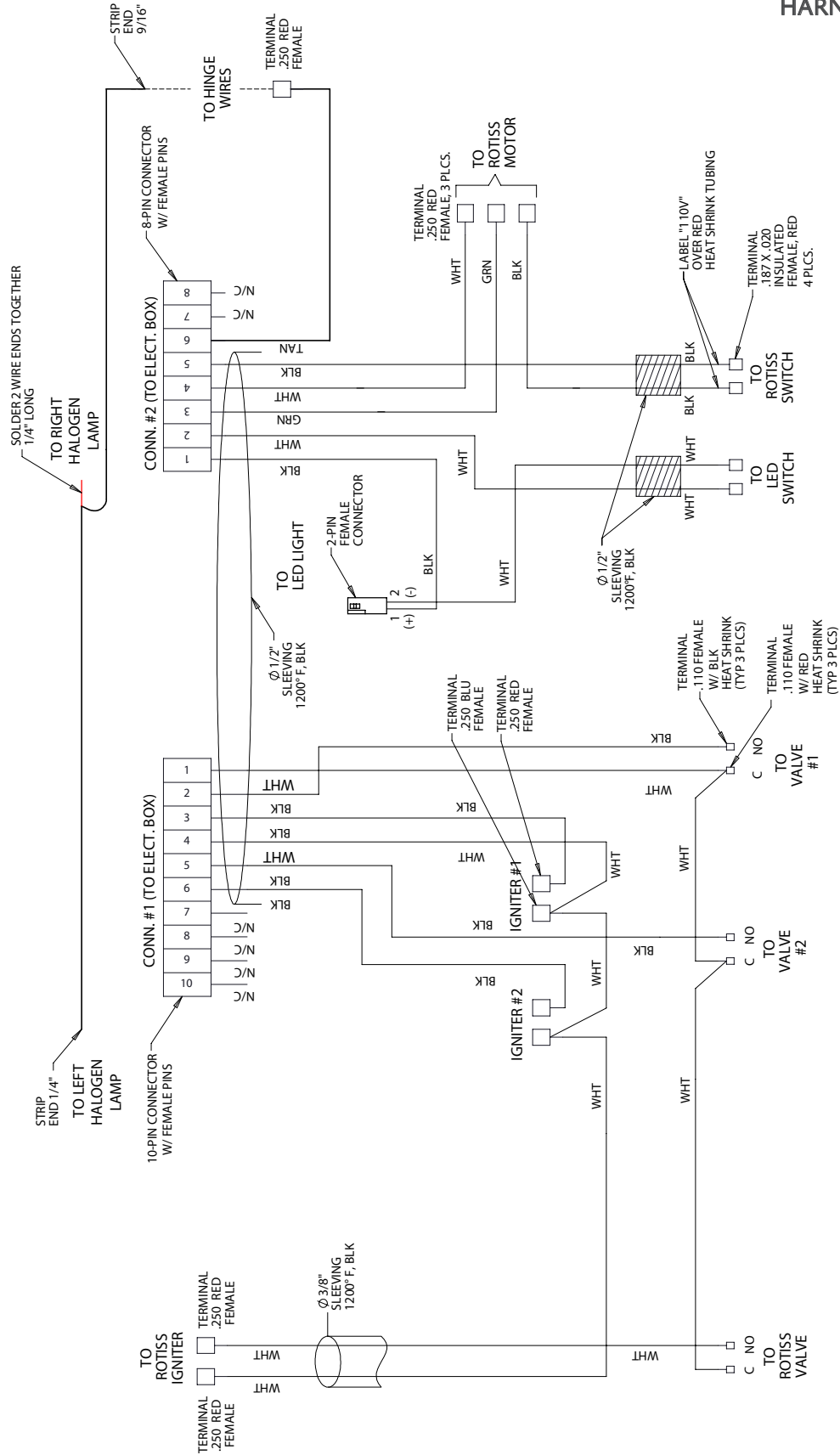


WIRING SCHEMATIC (continued)

HARNES 30"



EN

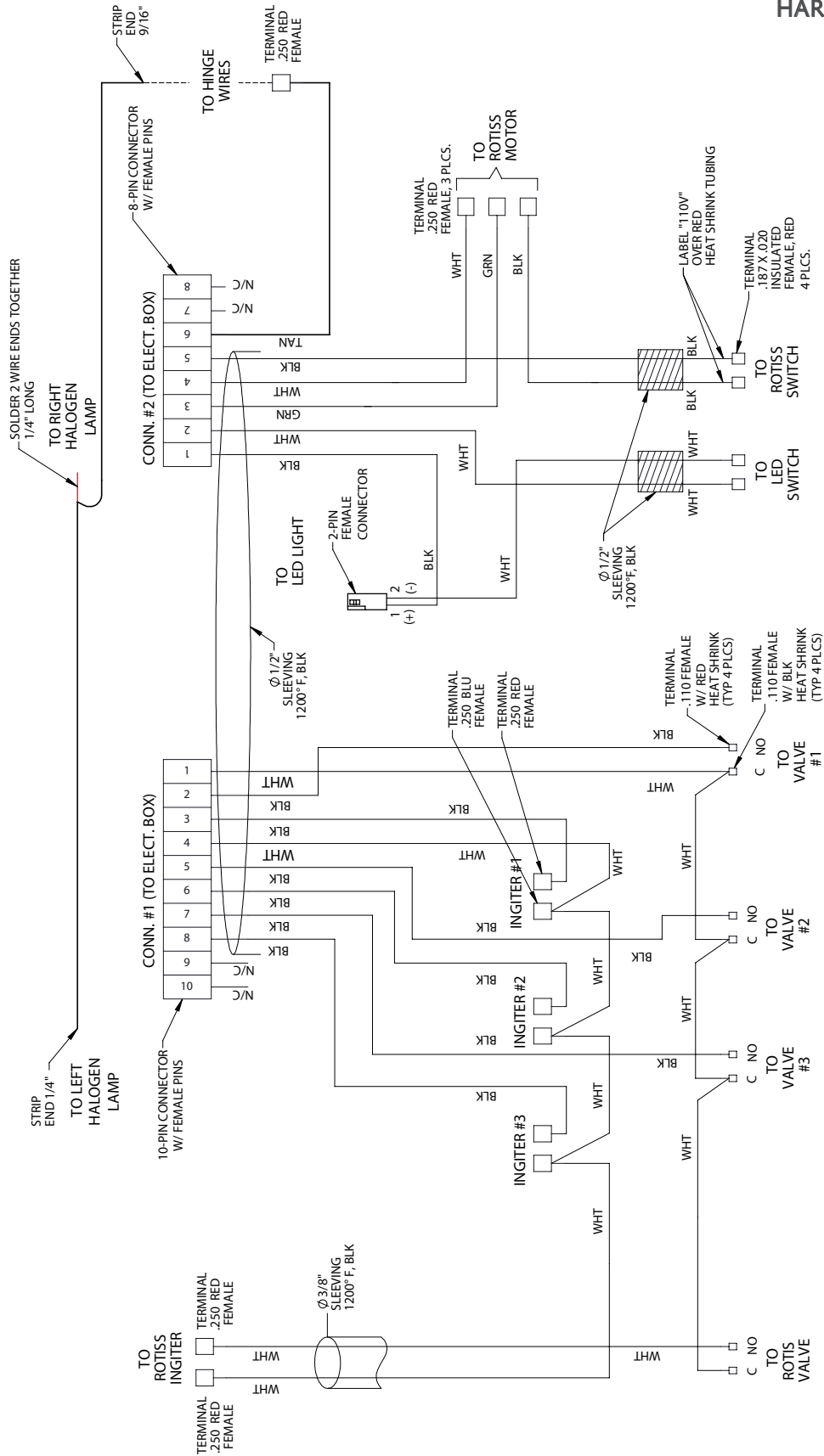




WIRING SCHEMATIC (continued)

HARNESS 36"

EN

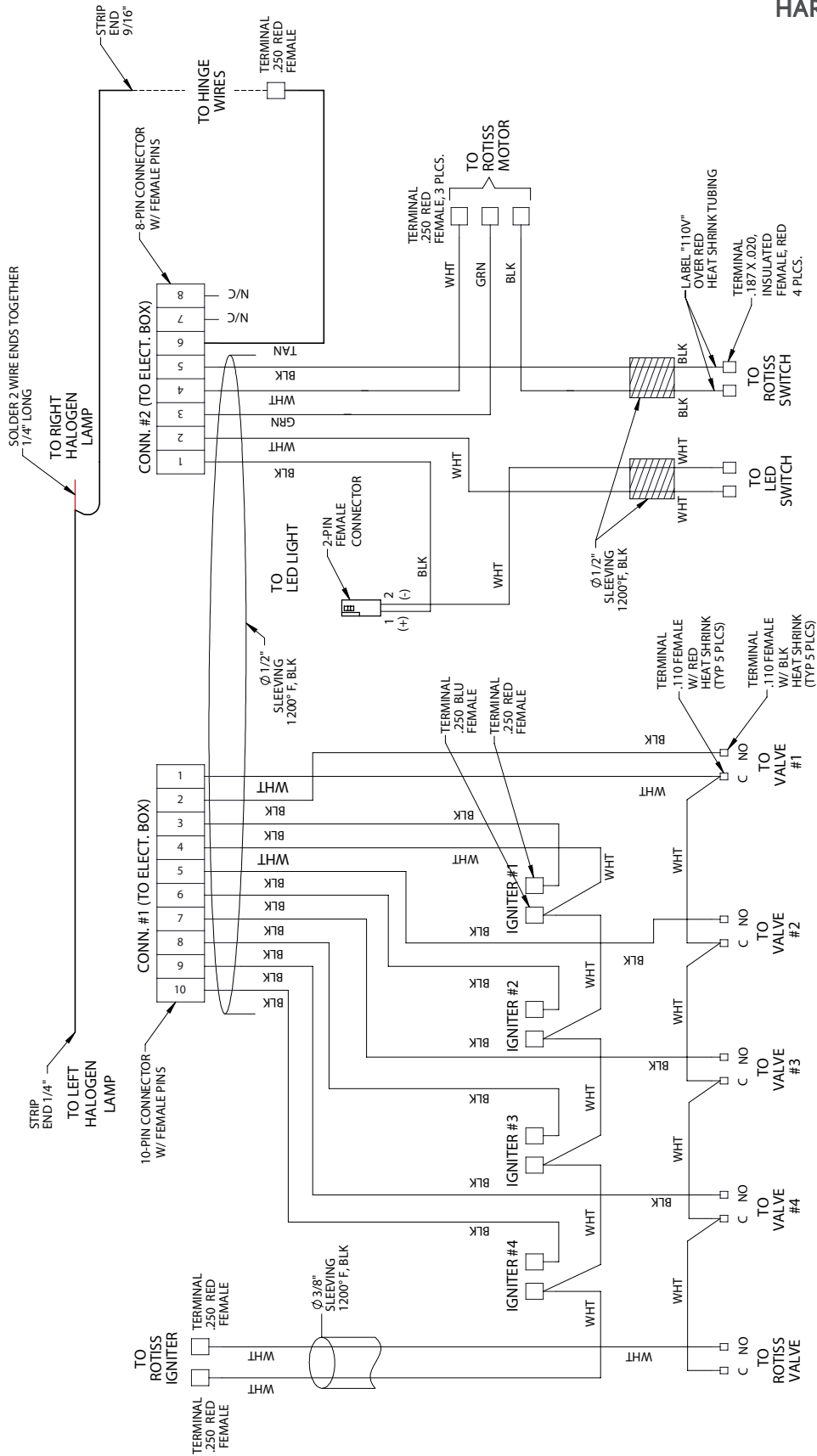


WIRING SCHEMATIC (continued)

HARNESS 42"



EN





PARTS LIST

Please visit the Hestan website to access the parts list for your Hestan Outdoor product:
www.hestanoutdoor.com.



SERVICE

All warranty and non-warranty repairs should be performed by qualified service personnel. To locate an authorized service agent in your area, contact your Hestan dealer, local representative, or the manufacturer. Before you call, please have the model number and serial number information ready. This information is shown on the rating sticker affixed to the underside of the drip tray of your appliance.

Hestan Commercial Products
3375 E. La Palma Avenue
Anaheim, CA 92806
(888) 905-7463



LIMITED WARRANTY

WHAT THIS LIMITED WARRANTY COVERS

Hestan Commercial Corporation (“HCC”) warrants to the original consumer purchaser of a Hestan outdoor gas product (the “Product”) from an HCC authorized dealer that the Product is free from defective materials or workmanship for a period of one (1) year from the date of original retail purchase or closing date for new construction, whichever period is longer (“Limited Warranty Period”). HCC agrees to repair or replace, at HCC’s sole option, any part or component of the Product that fails due to defective materials or workmanship during the Limited Warranty Period. This Limited Warranty is not transferable and does not extend to anyone beyond the original consumer purchaser (“Purchaser”). This Limited Warranty is valid only on Products purchased and received from an HCC authorized dealer in the fifty United States, the District of Columbia and Canada. This Limited Warranty applies only to Products in non-commercial use and does not extend to Products used in commercial applications.

HOW TO OBTAIN WARRANTY SERVICE

If the Product fails during the Limited Warranty Period for reasons covered by this Limited Warranty, the Purchaser must immediately contact the dealer from whom the Product was purchased or HCC at 888.905.7463.

Purchaser is responsible for making the Product reasonably accessible for service or for paying the cost to make the Product reasonably accessible for service. Service is to be provided during normal business hours of the authorized Hestan Commercial Service Provider. To the extent Purchaser requests service outside of the normal business hours of the authorized Hestan Commercial Service Provider, Purchaser will pay the difference between regular rates and overtime or premium rates. Purchaser is required to pay all travel costs for travel beyond 50 miles (one way) from the nearest authorized Hestan Commercial Service Provider.

LIMITED WARRANTY *(continued)*



EXTENSIONS TO ONE YEAR LIMITED WARRANTY PERIOD:

In addition to the One-Year Limited Warranty, the following components have extended warranty coverage as specifically set forth below:

1. The Product's stainless steel grill body, DiamondCut cooking grates and warming rack, stainless Trellis grill burners, Sear burners and rotisserie infrared burner (where applicable) are warranted to be free from defects in material and workmanship under normal non-commercial use and service for the lifetime of the original Purchaser. This excludes surface corrosion, scratches, and discoloration which may occur during normal use and is limited to replacement of the defective part(s), with the Purchaser paying all other costs, including labor, shipping and handling, as applicable.
2. The Product's spit rod, briquette trays, manifolds, gas valves and sealed burner assemblies (where applicable) are warranted to be free from defects in material and workmanship, under normal non-commercial use and service, for a period of five (5) years from the original date of purchase. This is limited to replacement of the defective parts, with the Purchaser paying all other costs, including labor, shipping, and handling, as applicable.

WHAT THIS LIMITED WARRANTY DOES NOT COVER:

This Limited Warranty does not cover and HCC will not be responsible for and will not pay for: damage to or defects in any Product not purchased from an HCC authorized dealer; color variations in color finishes or other cosmetic damage; failure or damage from abuse, misuse, accident, fire, natural disaster, commercial use of the Product, or loss of electrical power or gas supply to the Product; damage from alteration, improper installation, or improper operation of the Product; damage from improper or unauthorized repair or replacement of any part or component of the Product; damage from service by someone other than an authorized agent or representative of the Heston Commercial Service Network; normal wear and tear; damage from exposure of the Product to a corrosive atmosphere containing chlorine, fluorine, or any other damaging chemicals; damage resulting from the failure to provide normal care and maintenance to the Product; damage HCC was not notified of within the Limited Warranty Period; and incidental and consequential damages caused by any defective material or workmanship.

ARBITRATION:

This Limited Warranty is governed by the Federal Arbitration Act. Any dispute between Purchaser and HCC regarding or related to the Product or to this Limited Warranty shall be resolved by binding arbitration only on an individual basis with Purchaser. Arbitration will be conducted by the American Arbitration Association ("AAA") in accordance with its Consumer Arbitration Rules or by JAMS. The arbitration hearing shall be before one arbitrator appointed by the AAA or JAMS. The arbitrator shall not conduct class arbitration and Purchaser shall not bring any claims against HCC in a representative capacity on behalf of others.

LIMITATION OF LIABILITY:

This Limited Warranty is the final, complete and exclusive agreement between HCC and Purchaser regarding the Product.

THERE ARE NO EXPRESS WARRANTIES OTHER THAN THOSE LISTED AND DESCRIBED ABOVE. NO WARRANTIES WHETHER EXPRESS OR IMPLIED, INCLUDING, BUT NOT LIMITED TO, ANY IMPLIED WARRANTIES OF MERCHANTABILITY OR FITNESS FOR A PARTICULAR PURPOSE SHALL APPLY AFTER THE LIMITED WARRANTY PERIOD STATED ABOVE. NO OTHER EXPRESS WARRANTY OR GUARANTY GIVEN BY ANY PERSON, FIRM OR CORPORATION WITH RESPECT TO THIS PRODUCT SHALL BE BINDING ON HCC. HCC ASSUMES NO RESPONSIBILITY THAT THE PRODUCT WILL BE FIT FOR ANY PARTICULAR PURPOSE, EXCEPT AS OTHERWISE PROVIDED BY APPLICABLE LAW.

HCC SHALL NOT BE LIABLE FOR LOSS OF REVENUE OR PROFITS, FAILURE TO REALIZE SAVINGS OR OTHER BENEFITS, OR ANY OTHER SPECIAL, INCIDENTAL OR



LIMITED WARRANTY *(continued)*

CONSEQUENTIAL DAMAGES CAUSED BY THE USE, MISUSE OR INABILITY TO USE THE PRODUCT, REGARDLESS OF THE LEGAL THEORY ON WHICH THE CLAIM IS BASED, AND EVEN IF HCC HAS BEEN ADVISED OF THE POSSIBILITY OF SUCH DAMAGES. NO RECOVERY OF ANY KIND AGAINST HCC SHALL BE GREATER IN AMOUNT THAN THE PURCHASE PRICE OF THE PRODUCT.

WITHOUT LIMITING THE FOREGOING, YOU ASSUME ALL RISK AND LIABILITY FOR LOSS, DAMAGE OR INJURY TO YOU AND YOUR PROPERTY AND TO OTHERS AND THEIR PROPERTY ARISING OUT OF THE USE, MISUSE OR INABILITY TO USE THE PRODUCT NOT CAUSED DIRECTLY BY THE NEGLIGENCE OF HCC. THIS LIMITED WARRANTY STATES YOUR EXCLUSIVE REMEDY.

No oral or written representation or commitment given by anyone, including but not limited to, an employee, representative or agent of HCC will create a warranty or in any way increase the scope of this express Limited One Year Warranty. If there is any inconsistency between this Limited Warranty and any other agreement or statement included with or relating to the Product, this Limited Warranty shall govern. If any provision of this Limited Warranty is found invalid or unenforceable, it shall be deemed modified to the minimum extent necessary to make it enforceable and the remainder of the Limited Warranty shall remain valid and enforceable according to its terms.

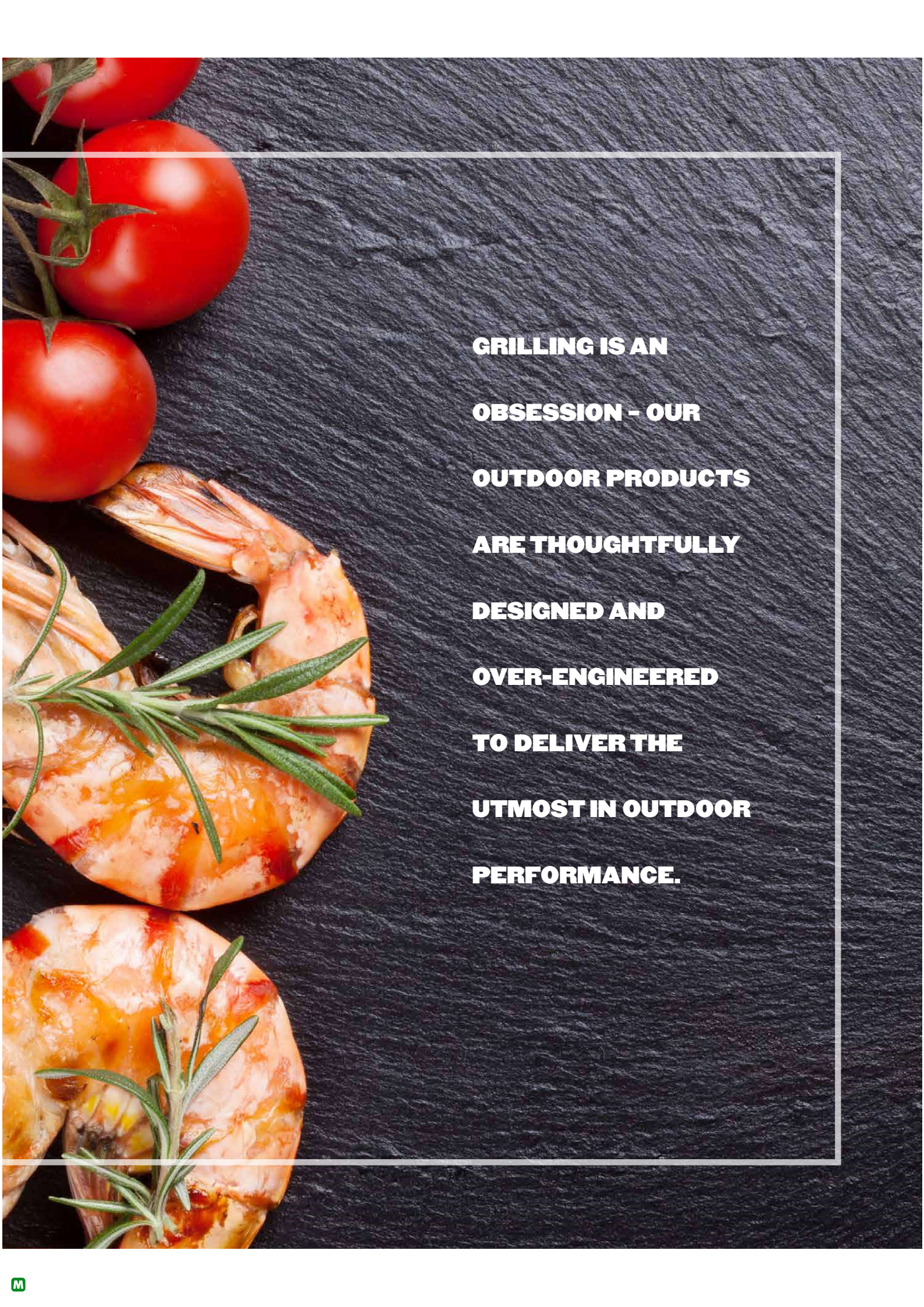
INTERACTION OF LAWS WITH THIS LIMITED WARRANTY:

Some states, provinces or territories may not allow limitations on how long an implied warranty lasts or the exclusion or limitation of incidental or consequential damages, so the above limitations or exclusions may not apply to you. Some states, provinces or territories may provide for additional warranty rights and remedies, and the provisions contained in this Limited Warranty are not intended to limit, modify, take away from, disclaim or exclude any mandatory warranty requirements provided by states, provinces or territories, including certain implied warranties. This warranty gives you specific legal rights, and you may also have other rights which vary depending on location.

Any questions about this Limited Warranty may be directed to
Hestan Commercial Products at (888) 905-7463

**WE WILL NEVER STOP SEARCHING
FOR NEW WAYS TO EXPRESS OUR
CELEBRATION OF GREAT FOOD.**



A top-down view of three large, succulent grilled shrimp arranged vertically on the left side of a dark, textured slate surface. Each shrimp is garnished with a fresh sprig of green rosemary. In the upper left corner, three bright red, ripe tomatoes are clustered together, partially overlapping the edge of the frame. The entire scene is set against a dark, charcoal-colored background with a subtle, grainy texture. A thin white border frames the right and bottom portions of the image, enclosing the text.

**GRILLING IS AN
OBSESSION - OUR
OUTDOOR PRODUCTS
ARE THOUGHTFULLY
DESIGNED AND
OVER-ENGINEERED
TO DELIVER THE
UTMOST IN OUTDOOR
PERFORMANCE.**

**GRIL DE PLEIN AIR HESTAN,
LE PLUS PUISSANT,
POLYVALENT ET FIABLE
DISPONIBLE.**





Un message de Hestan



La cuisine en plein air est le rêve du perfectionniste et, grâce à ce nouvel investissement, vous vous en êtes maintenant rapproché. Nous vous souhaitons une sincère bienvenue dans la famille Hestan. Nous avons conçu et fabriqué nos produits pour garantir que vos invités vous complimenteront à propos du plat que vous leur servirez mais, au fond d'eux-mêmes, nos clients savent qu'il aurait pu être un peu plus tendre, un peu plus juteux, qu'il aurait suffi d'une pincée de sel supplémentaire ou de quelques secondes de moins sur la flamme. Nous avons pris le temps de connaître nos clients et nous sommes enthousiasmés par l'idée de faire ce voyage avec vous. C'est de cette même passion de perfectionnisme qu'est né le gril de plein air Hestan. Nos ingénieurs ont expérimenté, innové, ajusté et modifié, jusqu'à ce qu'ils aient créé les produits de plein air les plus puissants, polyvalents et fiables disponibles sur le marché.

Nous nous enorgueillissons de nos innovations incessantes, de notre ingénierie de pointe et de nos modèles conçus spécialement, mais aussi de notre connaissance approfondie de la clientèle que nous visons, ainsi que des intérêts et des besoins des utilisateurs finals que nous servons ou convoitons. Pour de nombreux clients, la cuisine de plein air représente beaucoup plus que la préparation d'aliments. Il s'agit d'une activité qui englobe, entre autres, des aspects culinaires, de loisirs et sociaux.

Nous sommes reconnaissants et fiers du fait que vous ayez choisi Hestan, et nous espérons que vous nous resterez fidèle. Nous prenons votre décision d'avoir choisi Hestan très au sérieux et vous promettons de vous offrir ce qui se fait de mieux.

Bienvenue chez Hestan



 DANGER	 DANGER
<p>S'il y a une odeur de gaz :</p> <ol style="list-style-type: none">1. Coupez l'admission de gaz de l'appareil.2. Éteindre toute flamme nue.3. Ouvrir le couvercle.4. Si l'odeur persiste, éloignez-vous de l'appareil et appelez immédiatement le fournisseur de gaz ou le service d'incendie.	<ol style="list-style-type: none">1. Ne pas entreposer ni utiliser de l'essence ni d'autres vapeurs ou liquides inflammables dans le voisinage de l'appareil, ni de tout autre appareil.2. Une bouteille de propane qui n'est pas raccordée en vue de son utilisation, ne doit pas être entreposée dans le voisinage de cet appareil ou de tout autre appareil.



L'INOBSERVATION DES INFORMATIONS DONNÉES DANS CE MANUEL PEUT ENTRAÎNER UN INCENDIE OU UNE EXPLOSION DE NATURE À CAUSER DES DÉGÂTS MATÉRIELS ET DES BLESSURES GRAVES, VOIRE MORTELLES.



Ne pas essayer d'allumer cet appareil sans lire d'abord la section INSTRUCTIONS D'ALLUMAGE de ce manuel.



À utiliser à l'extérieur UNIQUEMENT. Cet appareil de cuisson n'est pas destiné à être installé dans ou sur les véhicules de loisirs ni les bateaux.



Gaz inflammable - débrancher toute alimentation en propane ou gaz naturel de cet appareil avant de procéder à l'entretien de celui-ci.



Pièces et composants électriques – débrancher les alimentations électriques de toute nature avant de procéder à une opération d'entretien.

LIRE CE MANUEL ATTENTIVEMENT ET ENTIÈREMENT AVANT D'UTILISER LE GRIL POUR LIMITER LES RISQUES D'INCENDIE, DE BRÛLURES OU D'AUTRES BLESSURES. CONSERVER CE MANUEL À TITRE DE RÉFÉRENCE.

TABLE DES MATIÈRES



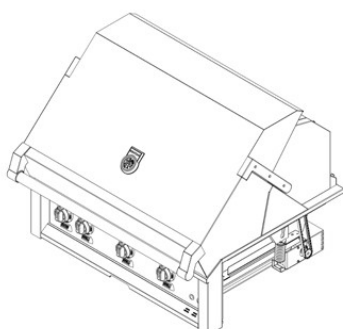
4	NUMÉRO DE MODÈLE
7	PLAQUES SIGNALÉTIQUES
7	PRÉCAUTIONS
10	RESPECT DE LA RÉGLEMENTATION ET DES CODES EN VIGUEUR
10	PBOUTEILLES DE GPL PORTATIVES
11	IMPLANTATION ET ASSEMBLAGE
13	INSTALLATION
16	RACCORDEMENTS DE GAZ
24	INSTRUCTIONS D'ALLUMAGE
27	UTILISATION DU GRIL
28	NETTOYAGE ET ENTRETIEN
33	DÉPANNAGE
34	SCHÉMAS DE CÂBLAGE
38	LISTE DES PIÈCES
38	SERVICE
38	GARANTIE

FR

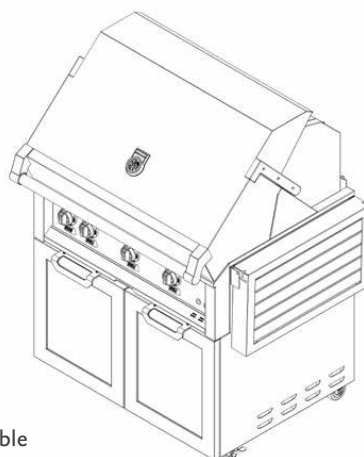


NUMÉROS DE MODÈLE

FR



Modèle encastré



Modèle amovible

MODÈLES ENCASTRÉS

Numéro de Modèle	Description
GABR30-NG / -LP	30 po ENCASTRÉ (TOUS TRELIS BURNERS)
GMBR30-NG / -LP	30 po ENCASTRÉ (BRÛLEURS DE SAISIE ET TRELIS BURNERS)
GSBR30-NG / -LP	30 po ENCASTRÉ (TOUS BRÛLEURS DE SAISIE)
GABR36-NG / -LP	36 po ENCASTRÉ (TOUS TRELIS BURNERS)
GMBR36-NG / -LP	36 po ENCASTRÉ (BRÛLEURS DE SAISIE ET TRELIS BURNERS)
GSBR36-NG / -LP	36 po ENCASTRÉ (TOUS BRÛLEURS DE SAISIE)
GABR42-NG / -LP	42 po ENCASTRÉ (TOUS TRELIS BURNERS)
GMBR42-NG / -LP	42 po ENCASTRÉ (BRÛLEURS DE SAISIE ET TRELIS BURNERS)
GSBR42-NG / -LP	42 po ENCASTRÉ (TOUS BRÛLEURS DE SAISIE)

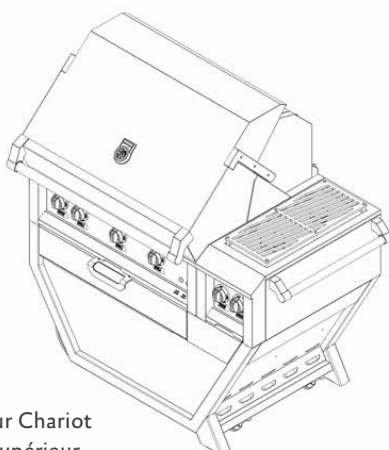
MODÈLES AMOVIBLES

Numéro de Modèle	Description
GABR30-NG/-LP & GCD30	30 po AUTOSTABLE (TOUS TRELIS BURNERS), CHARIOT À DOUBLE PORTE
GMBR30-NG/-LP & GCD30	30 po AUTOSTABLE (BRÛLEURS DE SAISIE ET TRELIS BURNERS), CHARIOT À DOUBLE PORTE
GSBR30-NG/-LP & GCD30	30 po AUTOSTABLE (TOUS BRÛLEURS DE SAISIE), CHARIOT À DOUBLE PORTE
GABR30-NG/-LP & GCR30	30 po AUTOSTABLE (TOUS TRELIS BURNERS), CHARIOT À TIROIRS ET PORTES
GMBR30-NG/-LP & GCR30	30 po AUTOSTABLE (BRÛLEURS DE SAISIE ET TRELIS BURNERS), CHARIOT À TIROIRS ET PORTES
GSBR30-NG/-LP & GCR30	30 po AUTOSTABLE (TOUS BRÛLEURS DE SAISIE), CHARIOT À TIROIRS ET PORTES
GABR36-NG/-LP & GCD36	36 po AUTOSTABLE (TOUS TRELIS BURNERS), CHARIOT À DOUBLE PORTE
GMBR36-NG/-LP & GCD36	36 po AUTOSTABLE (BRÛLEURS DE SAISIE ET TRELIS BURNERS), CHARIOT À DOUBLE PORTE
GSBR36-NG/-LP & GCD36	36 po AUTOSTABLE (TOUS BRÛLEURS DE SAISIE), CHARIOT À DOUBLE PORTE
GABR36-NG/-LP & GCR36	36 po AUTOSTABLE (TOUS TRELIS BURNERS), CHARIOT À TIROIRS ET PORTES
GMBR36-NG/-LP & GCR36	36 po AUTOSTABLE (BRÛLEURS DE SAISIE ET TRELIS BURNERS), CHARIOT À TIROIRS ET PORTES
GSBR36-NG/-LP & GCR36	36 po AUTOSTABLE (TOUS BRÛLEURS DE SAISIE), CHARIOT À TIROIRS ET PORTES
GABR42-NG/-LP & GCR42	42 po AUTOSTABLE (TOUS TRELIS BURNERS), CHARIOT À TIROIRS ET PORTES
GMBR42-NG/-LP & GCR42	42 po AUTOSTABLE (BRÛLEURS DE SAISIE ET TRELIS BURNERS), CHARIOT À TIROIRS ET PORTES
GSBR42-NG/-LP & GCR42	42 po AUTOSTABLE (TOUS BRÛLEURS DE SAISIE), CHARIOT À TIROIRS ET PORTES

NUMÉROS DE MODÈLE



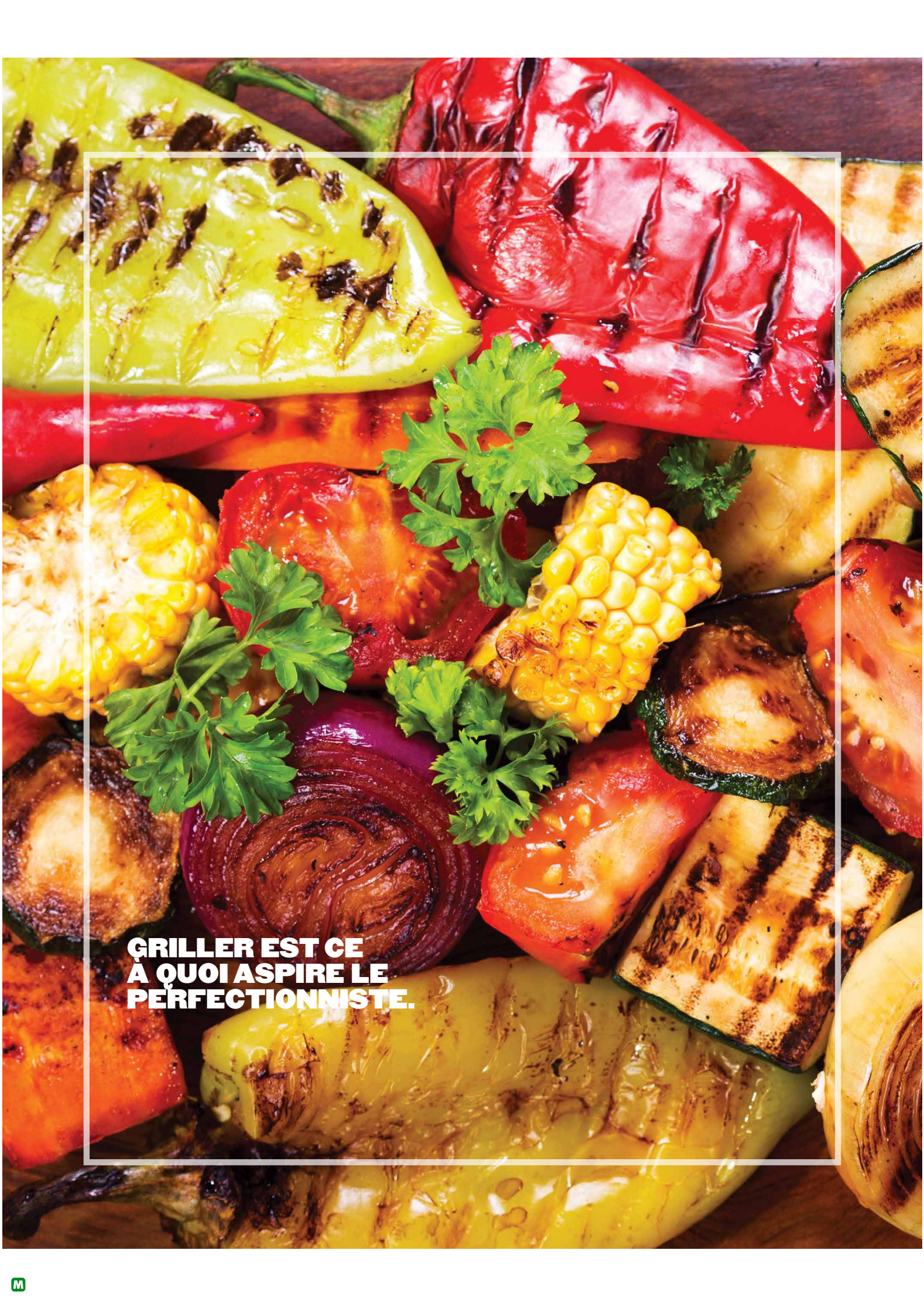
FR



Modèles Pour Chariot
de Qualité Supérieure

MODÈLES POUR CHARIOT DE QUALITÉ SUPÉRIEURE


Numéro de Modèle	Description
GABR30CX-NG / -LP	30 po AUTOSTABLE (TOUS TRELIS BURNERS), CHARIOT DE QUALITÉ SUPÉRIEURE
GMBR30CX-NG / -LP	30 po AUTOSTABLE (BRÛLEURS DE SAISIE ET TRELIS BURNERS), CHARIOT DE QUALITÉ SUPÉRIEURE
GGBR30CX-NG / -LP	30 po AUTOSTABLE (TOUS BRÛLEURS DE SAISIE), CHARIOT DE QUALITÉ SUPÉRIEURE
GABR30CX2-NG / -LP	30 po AUTOSTABLE (TOUS TRELIS BURNERS), CHARIOT DE QUALITÉ SUPÉRIEURE AVEC DOUBLE BRÛLEUR LATÉRAL
GMBR30CX2-NG / -LP	30 po AUTOSTABLE (BRÛLEURS DE SAISIE ET TRELIS BURNERS), CHARIOT DE QUALITÉ SUPÉRIEURE AVEC DOUBLE BRÛLEUR LATÉRAL
GGBR30CX2-NG / -LP	30 po AUTOSTABLE (TOUS BRÛLEURS DE SAISIE), CHARIOT DE QUALITÉ SUPÉRIEURE AVEC DOUBLE BRÛLEUR LATÉRAL
GABR36CX-NG / -LP	36 po AUTOSTABLE (TOUS TRELIS BURNERS), CHARIOT DE QUALITÉ SUPÉRIEURE
GMBR36CX-NG / -LP	36 po AUTOSTABLE (BRÛLEURS DE SAISIE ET TRELIS BURNERS), CHARIOT DE QUALITÉ SUPÉRIEURE
GGBR36CX-NG / -LP	36 po AUTOSTABLE (TOUS BRÛLEURS DE SAISIE), CHARIOT DE QUALITÉ SUPÉRIEURE
GABR36CX2-NG / -LP	36 po AUTOSTABLE (TOUS TRELIS BURNERS), CHARIOT DE QUALITÉ SUPÉRIEURE AVEC DOUBLE BRÛLEUR LATÉRAL
GMBR36CX2-NG / -LP	36 po AUTOSTABLE (BRÛLEURS DE SAISIE ET TRELIS BURNERS), CHARIOT DE QUALITÉ SUPÉRIEURE AVEC DOUBLE BRÛLEUR LATÉRAL
GGBR36CX2-NG / -LP	36 po AUTOSTABLE (TOUS BRÛLEURS DE SAISIE), CHARIOT DE QUALITÉ SUPÉRIEURE AVEC DOUBLE BRÛLEUR LATÉRAL
GABR42CX-NG / -LP	42 po AUTOSTABLE (TOUS TRELIS BURNERS), CHARIOT DE QUALITÉ SUPÉRIEURE
GMBR42CX-NG / -LP	42 po AUTOSTABLE (BRÛLEURS DE SAISIE ET TRELIS BURNERS), CHARIOT DE QUALITÉ SUPÉRIEURE
GGBR42CX-NG / -LP	42 po AUTOSTABLE (TOUS BRÛLEURS DE SAISIE), CHARIOT DE QUALITÉ SUPÉRIEURE
GABR42CX2-NG / -LP	42 po AUTOSTABLE (TOUS TRELIS BURNERS), CHARIOT DE QUALITÉ SUPÉRIEURE AVEC DOUBLE BRÛLEUR LATÉRAL
GMBR42CX2-NG / -LP	42 po AUTOSTABLE (BRÛLEURS DE SAISIE ET TRELIS BURNERS), CHARIOT DE QUALITÉ SUPÉRIEURE AVEC DOUBLE BRÛLEUR LATÉRAL
GGBR42CX2-NG / -LP	42 po AUTOSTABLE (TOUS BRÛLEURS DE SAISIE), CHARIOT DE QUALITÉ SUPÉRIEURE AVEC DOUBLE BRÛLEUR LATÉRAL




**GRILLER EST CE
À QUOI ASPIRE LE
PERFECTIONNISTE.**

PLAQUE SIGNALÉTIQUE


La plaque signalétique donne des informations importantes sur cet appareil Hestan telles que les numéros de série et de modèle, le type de gaz et la pression d'admission, la cote BTU pour chaque type de brûleur et les dégagements minima d'installation.


HESTAN COMMERCIAL CORP. ANAHEIM, CA. - USA		MODEL
VOLTS 120 Hz 60 PHASE 1 AMPS		SER. NO.
GAS TYPE	BTU/HOUR / ROTISSERIE	CONFORME À LA NORME ANSI Z21.58 CERTIFIÉ À LA NORME CSA 1.6 OUTDOOR COOKING GAS APPLIANCE
MAN. PRESS. INCH W.C.	BTU/HOUR / GRILL BURNER	
MIN. CLEARANCES		 Intertek 5001516 P/N: 00007301A
COMBUSTIBLE	NON-COMBUSTIBLE	
BACK 12" 0"		
SIDES 12" 0"		

HESTAN COMMERCIAL CORP. ANAHEIM, CA. - USA		MODELE
VOLTS 120 Hz 60 PHASE 1 AMPS		NO. SER.
TYPE DE GAZ	BTU / HOUR / ROTISSOIRE	CONFORME À LA NORME ANSI Z21.58 CERTIFIÉ À LA NORME CSA 1.6 APPAREIL DE CUISSON AU GAZ POUR USAGE EN PLEIN AIR
PRESS. ADM. INCH W.C.	BTU / HOUR / LE GRIL	
MIN. DÉGAGEMENTS		 Intertek 5001516 P/N: 00007301A
COMBUSTIBLE	INCOMBUSTIBLE	
ARRIÈRE 12" 0"		
CÔTÉS 12" 0"		

La plaque signalétique de ce gril Hestan se trouve sur le dessous du bac de récupération.

FR

HESTAN COMMERCIAL CORP. ANAHEIM, CA. - USA		MODEL
VOLTS 120 Hz 60 PHASE 1 AMPS		SER. NO.
GAS TYPE	BTU/HOUR / FRONT BURNER	CONFORME À LA NORME ANSI Z21.58 CERTIFIÉ À LA NORME CSA 1.6 OUTDOOR COOKING GAS APPLIANCE
MAN. PRESS. INCH W.C.	BTU/HOUR / REAR BURNER	
MIN. CLEARANCES		 Intertek 5001516 P/N: 00007301A
COMBUSTIBLE	NON-COMBUSTIBLE	
BACK 12" 0"		
SIDES 12" 0"		

HESTAN COMMERCIAL CORP. ANAHEIM, CA. - USA		MODELE
VOLTS 120 Hz 60 PHASE 1 AMPS		NO. SER.
TYPE DE GAZ	BTU / HOUR / BRÛLEUR AVANT	CONFORME À LA NORME ANSI Z21.58 CERTIFIÉ À LA NORME CSA 1.6 APPAREIL DE CUISSON AU GAZ POUR USAGE EN PLEIN AIR
PRESS. ADM. INCH W.C.	BTU / HOUR / BRÛLEUR ARRIÈRE	
MIN. DÉGAGEMENTS		 Intertek 5001516 P/N: 00007301A
COMBUSTIBLE	INCOMBUSTIBLE	
ARRIÈRE 12" 0"		
CÔTÉS 12" 0"		

La plaque signalétique des brûleurs latéraux pour usage extérieur Hestan se trouve sur le dessous du bac de récupération.

PRÉCAUTIONS À PRENDRE AVANT D'UTILISER CE GRIL

S'il est bien entretenu, ce gril Hestan procurera un service sûr et fiable pendant de nombreuses années. Il convient toutefois de faire preuve d'extrême prudence car le gril dégage une chaleur intense qui peut causer des blessures graves, voire même mortelles, si les instructions ne sont pas suivies à la lettre. Lorsqu'on se sert de cet appareil, les pratiques élémentaires suivantes en matière de sécurité doivent être adoptées.

1. NE JAMAIS LAISSER LE GRIL SANS SURVEILLANCE PENDANT LA CUISSON.
2. Les enfants ne doivent pas être laissés seuls ou sans surveillance aux alentours d'un gril en cours d'utilisation. Ne jamais les laisser s'asseoir, se tenir ou jouer sur le gril ni autour de lui. Ne pas ranger d'articles qui attirent les enfants autour ou en dessous du gril ni dans le chariot. Ne jamais laisser des enfants se glisser à l'intérieur du chariot.
3. Ne jamais se servir du gril lorsqu'on est sous l'influence de l'alcool ou de drogues.
4. Ne jamais se servir du gril par grand vent. Si l'appareil est implanté dans un endroit constamment venteux, en bord de mer, sur un sommet, etc., un coupe-vent sera nécessaire. Toujours s'en tenir aux dégagements spécifiés dans la section INSTALLATION de ce manuel.
5. Ce gril ne doit être utilisé qu'en plein air, à l'exclusion des bâtiments, garages, hangars, passages couverts ou de tout espace clos. Ne pas faire fonctionner le gril sous un abri combustible non protégé. Ne le faire que dans des endroits bien aérés. Voir la section INSTALLATION de ce manuel.
6. Ne pas utiliser le gril si un contrôle d'étanchéité n'a pas été effectué sur tous les raccordements de gaz. Voir la section RACCORDEMENTS DE GAZ de ce manuel.
7. Si le gril est installé par un installateur ou technicien professionnel, ne pas oublier de leur demander où se trouve le robinet d'arrêt de l'alimentation en gaz. Toutes les conduites de gaz doivent être pourvues d'un robinet d'arrêt aisément accessible. En cas d'odeur de gaz, effectuer immédiatement un contrôle d'étanchéité. Pour ce faire, utiliser uniquement de l'eau savonneuse. Ne jamais rechercher des fuites de gaz avec une flamme nue. Voir la section RACCORDEMENTS DE GAZ de ce manuel.



PRÉCAUTIONS À PRENDRE AVANT D'UTILISER CE GRIL *(suite)*

8. Vérifier soigneusement le détendeur, les tuyaux, les orifices de combustion, l'obturateur d'air et la section venturi / clapet. Toujours couper le gaz à la source (bouteille ou conduite d'alimentation) avant d'examiner ces pièces.
9. Lorsqu'on allume un brûleur, toujours faire très attention à ce que l'on fait. Veiller à tourner le bouton correspondant au brûleur que l'on a l'intention d'utiliser. Si un brûleur quelconque ne s'allume pas, ou s'éteint en cours de fonctionnement, tourner tous les boutons de réglage de gaz en position de fermeture, ouvrir le couvercle et attendre cinq (5) minutes avant d'essayer de rallumer. Voir la section INSTRUCTIONS D'ALLUMAGE de ce manuel.
10. Bouteilles de GPL portatives - Toujours fermer le robinet de la bouteille de propane liquide (GPL) après chaque utilisation. Ne jamais utiliser une bouteille de GPL cabossée ou rouillée. Ne jamais raccorder ou débrancher une bouteille de GPL ni déplacer ou modifier les raccordements de gaz alors que le gril est en marche ou encore chaud.
11. Examiner le tuyau d'alimentation en GPL avant chaque utilisation du gril. Le tuyau doit rester à l'écart des parties chauffées du gril. Si le tuyau présente des signes d'abrasion ou d'usure excessive, ou de coupure, il doit être remplacé avant utilisation du gril. Le tuyau et le détendeur de GPL sont fournis sous forme d'ensemble complet et doivent être remplacés comme tel. Ne pas essayer de réparer ou remplacer le tuyau seul. S'adresser au concessionnaire Hestan pour une pièce de rechange authentique, n° réf. 006256.
12. Maintenir tout cordon d'alimentation électrique à l'écart des parties chauffées du gril. Le cordon est pourvu d'une fiche de mise à la terre à 3 broches qui ne doit pas être retirée ni modifiée. Ne pas utiliser cet appareil avec un adaptateur à 2 broches sans mise à la terre. Le cordon doit être branché dans une prise protégée par disjoncteur de fuite à la terre. Voir la section INSTALLATION de ce manuel.
13. Les araignées et les insectes aiment nicher dans les brûleurs, venturis, robinets et orifices calibrés d'un gril, ce qui gêne la circulation du gaz dans les brûleurs. Cette situation est très dangereuse et peut provoquer un incendie derrière le panneau de commande, ce qui peut endommager le gril et faire courir un risque de blessures. Si le gril n'a pas été utilisé pendant une période prolongée, examiner et nettoyer les brûleurs, venturis, robinets et orifices calibrés. Il est conseillé de contrôler le gril au moins deux fois par an. Pour plus de détails, voir la section RÉGLAGE DES BRÛLEURS.
14. Maintenir les alentours du gril libre de matières combustibles, débris, ainsi que de liquides et vapeurs combustibles tels que l'essence ou un allume-feu liquide. Ne pas gêner la circulation des gaz de combustion (à l'arrière) ni la ventilation (sur le devant).
15. Si le gril est monté sur un chariot, maintenir l'arrière libre de débris, de bouteilles de GPL de rechange, etc. Ne pas bloquer les ouïes d'aération du chariot.
16. Si le gril est monté sur un chariot et remis à l'intérieur, s'assurer qu'il a refroidi avant de le déplacer. Si on utilise du propane, la bouteille de GPL doit être débranchée et entreposée À L'EXTÉRIEUR, dans un endroit bien aéré, hors de portée des enfants. Il est conseillé de recouvrir le gril d'une housse, même lorsqu'il est remis à l'intérieur.
17. Ne jamais déplacer le gril lorsqu'il est encore chaud. Lorsque le gril est en marche, certaines de ses parties sont suffisamment chaudes pour causer des brûlures graves.
18. Toujours avoir un extincteur du type « ABC » à portée de la main – ne jamais essayer d'éteindre un feu de graisse avec de l'eau ou d'autres liquides.
19. Éviter de porter des vêtements amples ou à manches longues quand on grille. Ils pourraient prendre feu. Par souci de sécurité, porter des vêtements appropriés quand on grille. Certains tissus synthétiques sont hautement inflammables. Ne pas en porter quand on grille.
20. Ne jamais laisser des manicles, des housses ni d'autres matières inflammables toucher une grille de cuisson, un brûleur ou une surface très chaude ni être à proximité de ces pièces tant que celles-ci n'ont pas refroidi suffisamment. Les tissus peuvent prendre feu, entraînant ainsi des blessures. N'utiliser que des manicles sèches. L'utilisation de manicles mouillées ou humides sur des surfaces très chaudes peut causer des brûlures par la vapeur. Ne pas utiliser une serviette ni un chiffon épais à la place de manicles. Ne pas laisser des manicles toucher les parties très chaudes des grilles de cuisson ou des grilles de maintien au chaud.

PRÉCAUTIONS À PRENDRE AVANT D'UTILISER CE GRIL (suite)



21. Ne jamais toucher les grilles de cuisson, le couvercle ni les surfaces métalliques aux environs immédiats avec les mains nues quand on grille, car ces zones deviennent très chaudes et pourraient causer des blessures. Utiliser les poignées et boutons prévus à cet effet pour faire fonctionner le gril.
22. Protéger ses mains quand on ouvre un couvercle de gril très chaud. Porter un gant de cuisine isolant quand on fait fonctionner le gril. Toujours ouvrir le couvercle doucement pour permettre à la chaleur et à la fumée de s'échapper avant de l'ouvrir en grand. Maintenir le visage et le corps aussi loin que possible quand on ouvre le couvercle. Ne jamais se pencher au-dessus d'un gril ouvert chaud.
23. Le couvercle du gril doit être ouvert en grand lors de l'allumage de celui-ci. Le fait d'ouvrir les robinets de gaz d'un gril fermé avant de l'allumer ne le fera pas s'allumer plus vite ni plus facilement. Cela ne fera que causer un risque d'explosion et de blessures graves, voire mortelles. Ne jamais se pencher au-dessus de la surface d'une grille très chaude ni regarder directement dans le gril quand on essaye de l'allumer. Voir la section INSTRUCTIONS D'ALLUMAGE de ce manuel.
24. Ne pas faire chauffer des boîtes de conserves fermées car la montée en pression provoquera une explosion de la boîte.
25. Ne pas recouvrir de papier d'aluminium les grilles de cuisson ni le bac de récupération. Cela modifiera la circulation d'air vers le gril ou maintiendra prisonnière une chaleur excessive dans la zone des commandes, ce qui peut faire fondre les boutons de réglage, les fils ou les allumeurs et accroître le risque de blessures. De tels dégâts sont explicitement exclus de notre garantie.
26. Ne jamais griller sans que le bac de récupération soit en place et poussé à fond vers l'arrière du gril. En l'absence du bac de récupération, de la graisse très chaude peut s'échapper vers le bas, créant ainsi un risque d'incendie ou d'explosion.
27. La graisse est extrêmement inflammable. La laisser refroidir avant d'essayer de la manipuler ou de la jeter. Éviter de laisser de la graisse s'accumuler au fond du gril en nettoyant souvent le bac de récupération. Ne jamais le nettoyer quand le gril est allumé ou encore chaud après avoir récemment fonctionné.
28. Le fait de griller des viandes très grasses ou abondamment huilées causera des flambées soudaines. Les feux intérieurs et les dégâts causés par eux ou par le gril laissé sans surveillance ne sont pas couverts au titre des modalités de notre garantie.
29. Ne jamais utiliser de charbon de bois, de granulés de bois ni un autre combustible solide quelconque dans le gril. Les copeaux de bois pour fumage ne doivent être utilisés qu'avec l'accessoire de fumage. Voir la section FUMOIR de ce manuel.
30. Seuls certains types de verre, la vitrocéramique calorifuge, la terre cuite ou d'autres ustensiles en faïence sont adaptés à l'utilisation sur un gril. Ces types de matériaux risquent toutefois de se briser en cas de variations brusques de température. Ne les utiliser qu'à des températures basses à moyennes et conformément aux directives de leurs fabricants.
31. Ne pas s'appuyer sur les tablettes latérales ni placer une charge de plus de 25 lbs. (11,3 kg) dessus.
32. Ne réparer ni ne remplacer aucune pièce du gril, sauf si ce manuel le conseille expressément. Tout autre entretien, qu'il soit dans le cadre de la garantie ou non, doit être confié à un technicien qualifié et effectué par lui.
33. Pour un allumage approprié et un bon rendement des brûleurs, maintenir les orifices de combustion propres. Il est nécessaire de les nettoyer régulièrement pour optimiser le rendement. Les brûleurs ne fonctionnent que dans une seule position et doivent être montés correctement pour fonctionner en toute sécurité. Voir la section RÉGLAGE DES BRÛLEURS de ce manuel.
34. Nettoyer le gril avec prudence. Éviter les brûlures par la vapeur - ne pas utiliser une éponge ou un chiffon humide pour nettoyer le gril quand il est encore chaud. Certains nettoyeurs dégagent des vapeurs nocives ou peuvent s'enflammer au contact d'une surface très chaude. S'assurer que toutes les commandes du gril sont en position d'arrêt et que le gril est froid avant d'utiliser tout type de nettoyeur en aérosol sur le gril ou à proximité de celui-ci. Le produit chimique qui produit la pulvérisation pourrait, en présence de chaleur, s'enflammer ou causer la corrosion des pièces métalliques. Nettoyer le gril et procéder à son entretien général deux fois par an. Rechercher tout signe de corrosion, de fêlure ou d'activité des insectes/ Voir la section NETTOYAGE ET ENTRETIEN de ce manuel.



RESPECT DE LA RÉGLEMENTATION ET DES CODES EN VIGUEUR

L'installation de cet appareil de cuisson doit être effectuée conformément aux codes locaux. En l'absence de tels codes, installer cet appareil conformément au National Fuel Gas Code ANSI Z223.1/NFPA 54, au code Natural Gas and Propane Installation CSA B149.1 ou au Propane Storage and Handling Code B149.2.

Tous les composants électriques doivent être mis à la terre conformément aux codes locaux ou, en l'absence de tels codes, au National Electrical Code ANSI/NFPA 70 ou au Code national de l'électricité du Canada CSA C22.1.

PROPOSITION 65 DE CALIFORNIE – MISE EN GARDE

La combustion de gaz pour cuisson produit des sous-produits toxiques qui figurent sur la liste de substances reconnues en Californie comme causant le cancer ou des malformations congénitales. La législation californienne exige des entreprises concernées qu'elles avertissent leurs clients d'une exposition potentielle à de telles substances. Afin de minimiser une telle exposition, toujours utiliser cet appareil conformément au manuel d'utilisation et d'entretien, en faisant en sorte d'assurer une bonne aération quand on cuisine au gaz. Cet avertissement est émis en vertu de la Section 25249.6 du California Health and Safety Code.



BOUTEILLES DE GPL PORTATIVES

N'utiliser qu'une bouteille de 20 lbs. (9,1 kg) standard de propane liquéfié (GPL) mesurant 12,25 po (31 cm) de diam. et 18,25 po (47 cm) de haut et pourvue d'un dispositif antidébordement. La bouteille doit être mise en place en position verticale. Ne pas utiliser une bouteille de GPL cabossée ou rouillée car elle pourrait être dangereuse et la faire vérifier par le fournisseur de GPL. Ne jamais utiliser une bouteille dont le robinet est endommagé. Ne jamais déplacer ni modifier les raccordements de gaz. Vérifier également la date d'expiration indiquée sur le collet de la bouteille. Ne pas remplir une bouteille périmée. Elle doit être remplacée. En cas d'achat d'une bouteille de GPL qui a été remplie (échange), vérifier également cette date.

La bouteille de GPL doit être fabriquée et marquée conformément aux spécifications de bouteilles de GPL établies par le ministère américain des transports (DOT). La bouteille doit être pourvue d'un robinet d'arrêt dont la sortie d'alimentation en GPL est spécifiée, le cas échéant, pour les raccordements du type QCC1 dans la norme applicable aux raccordements de sortie et d'entrée de robinet de bouteille de gaz comprimé, ANSI/CGA-V-I.

AVERTISSEMENT

Il se peut que certains revendeurs de propane liquide remplissent les bouteilles destinées au gril au-delà de leur capacité. Ce remplissage excessif peut créer une situation dangereuse due à une accumulation excessive de pression. Il est prévu, en tant que dispositif de sécurité, un clapet de surpression qui évacue la vapeur de gaz propane pour dissiper cet excès de pression. Cette vapeur est combustible et peut par conséquent s'enflammer. Pour réduire ce risque, prendre les mesures de sécurité suivantes :

1. Lors du remplissage de la bouteille, veiller à demander au fournisseur de ne pas la remplir à plus de 80 % de sa contenance totale.
2. Si on dispose d'une bouteille de secours, ne JAMAIS l'entreposer près ou en dessous du gril/chariot ou de la cuve, ni près d'une source quelconque d'inflammation ou de chaleur (telle qu'un chauffe-eau ou une chaudière).

SI LES DIRECTIVES DONNÉES AUX POINTS 1 ET 2 CI-DESSUS NE SONT PAS APPLIQUÉES À LA LETTRE, UN INCENDIE ENTRAÎNANT DES BLESSURES GRAVES, VOIRE MORTELLES, PEUT SE PRODUIRE.

3. La bouteille de GPL doit être débranchée et entreposée À L'EXTÉRIEUR, dans un endroit bien aéré, hors de portée des enfants.
4. Ne pas entreposer une bouteille pleine en plein soleil.

IMPLANTATION ET ASSEMBLAGE DU GRIL



Lors de la détermination d'un emplacement approprié pour le gril, tenir compte des préoccupations que représentent l'exposition au vent, la pluie, les arroseurs, la proximité par rapport aux voies de circulation et veiller à maintenir la conduite d'alimentation en gaz aussi courte que possible.

N'implanter le gril qu'à un endroit bien aéré. Ne jamais l'implanter dans un bâtiment, un garage, un passage couvert, un hangar ni autres espaces clos sans un système d'aération agréé. Ne jamais implanter le gril au-dessus, en dessous ni à côté d'une construction combustible non protégée.

Pendant les périodes d'utilisation intensive, le gril dégage une chaleur et une fumée abondantes. Le gril est conçu pour que l'air frais entre dans la zone du panneau de commande avant et que les produits de la combustion et la fumée sortent par l'espace d'évacuation à l'arrière du couvercle. Il est important de maintenir cette circulation en permanence. L'utilisation du gril dans endroits venteux peut gêner cette circulation et endommager le gril ou faire courir des risques de brûlures à l'utilisateur. Voir la Fig. 4 pour plus de détails.

FR

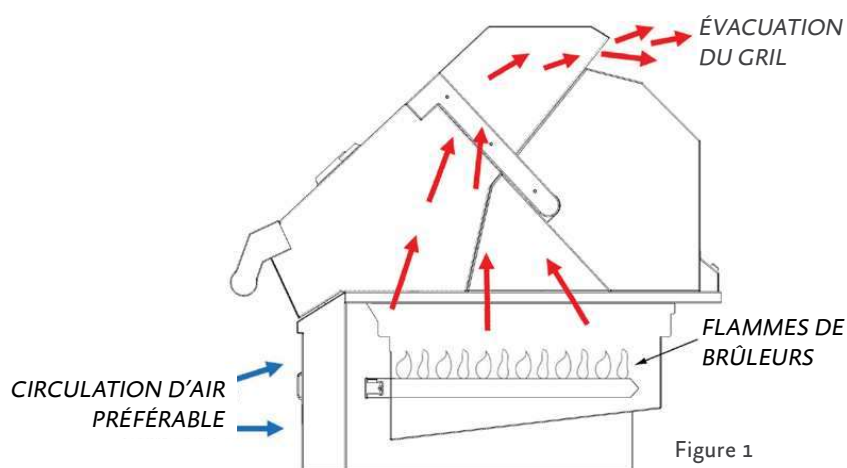


Figure 1

Lors de l'installation d'un gril ou d'un autre appareil à gaz dans une enceinte (île), celle-ci doit être construite avec des ouïes d'aération pour éviter une accumulation de gaz en cas de fuite. Pour plus de détails, voir la section INSTALLATION de ce manuel.

S'assurer que l'ensemble de l'emballage, des bandes de serrage, etc. a été enlevé du gril. Retirer tous les fils de retenue des brûleurs.

Ce gril Hestan peut être monté sur un chariot mobile si on le désire. Se renseigner auprès du concessionnaire Hestan pour le chariot qui convient au gril. Si le gril est monté sur un chariot, serrer les freins des roulettes pour immobiliser celui-ci.



IMPLANTATION ET ASSEMBLAGE DU GRIL (suite)

S'assurer que les brûleurs sont dans la position correcte sur leurs orifices calibrés et qu'ils sont bien en place sur leurs attaches de suspension arrière (voir Fig. 2). Les brûleurs ne doivent pas bouger d'un côté à l'autre ni d'avant en arrière s'ils sont bien en place.

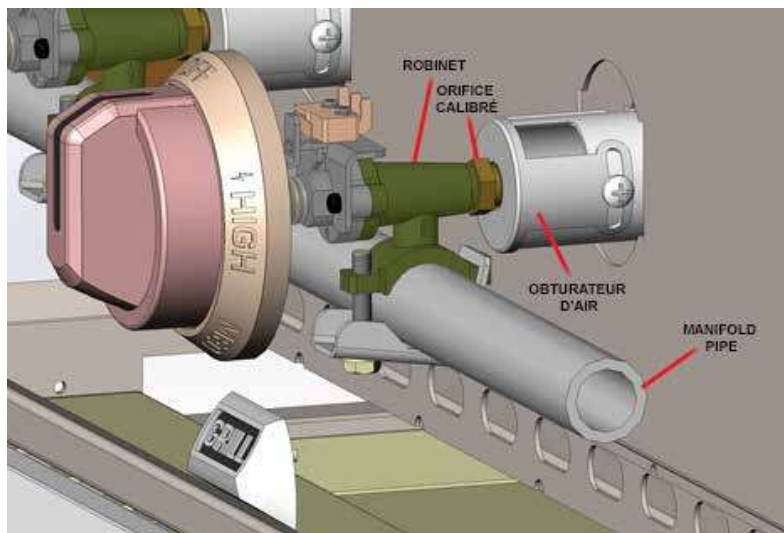


Figure 2

Au-dessus de chaque Trellis Burner™ se trouve un plateau radiatif en acier inoxydable contenant des briquettes céramiques d'une forme spéciale. Positionner les plateaux radiatifs sur le rebord inférieur de la cuve du gril puis mettre les grilles de cuisson en place sur le rebord supérieur (voir Fig. 3). Les brûleurs et les plateaux radiatifs collaborent pour produire une chaleur très uniforme d'avant en arrière et de gauche à droite. Les plateaux radiatifs servent également à minimiser les flambées soudaines et à empêcher les orifices des brûleurs de se boucher lorsque de la graisse et des débris tombent. Les plateaux radiatifs et les Trellis Burners™ doivent être utilisés conjointement et sont essentiels au bon fonctionnement du gril. Ne pas cuire sur le gril sans eux.

Remarque : Les brûleurs de saisie à infrarouge n'exigent pas de plateaux radiatifs. Ne JAMAIS placer un plateau radiatif au-dessus d'un brûleur de saisie.

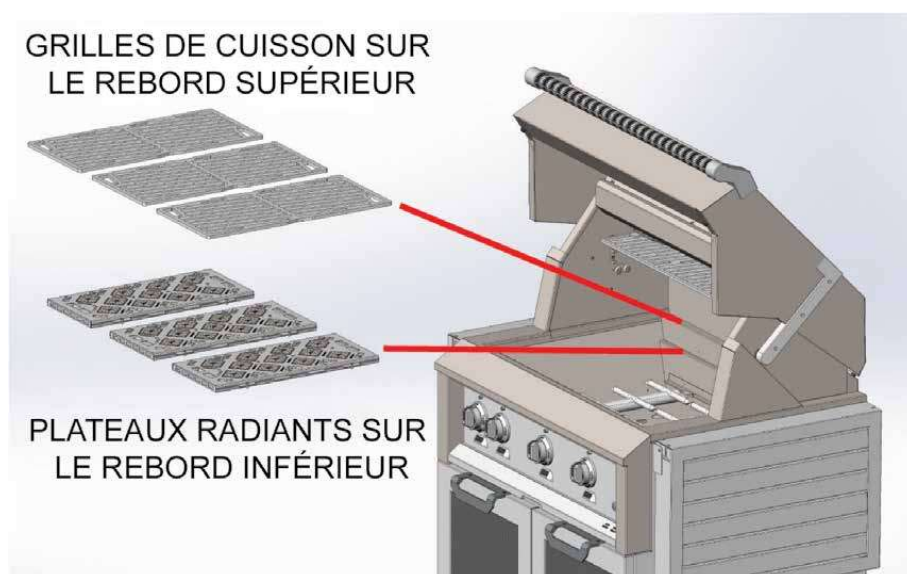


Figure 3

INSTALLATION



DÉGAGEMENTS :

PAR RAPPORT À UNE CONSTRUCTION NON COMBUSTIBLE

Un dégagement minimum de 4 po (10 cm) entre l'arrière du gril et une construction non combustible est nécessaire pour permettre l'ouverture complète du couvercle.

PAR RAPPORT À UNE CONSTRUCTION COMBUSTIBLE

Ne PAS installer cet appareil au-dessus, en dessous ou à côté d'une construction combustible non protégée. Si l'enceinte (île) est combustible, une enveloppe protectrice isolante fabriquée par Hestan est requise. Voir plus loin les dimensions de l'ENVELOPPE PROTECTRICE ISOLANTE pour en tenir compte dans l'enceinte. Un dégagement minimum par rapport au matériau combustible vertical est de 12 po (30 cm) sur les côtés et l'arrière de l'appareil.

FR

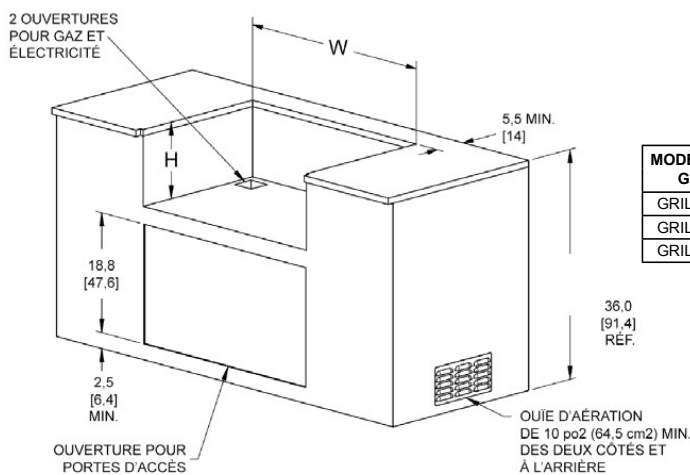
AVERTISSEMENT

Le dégagement vertical minimum par rapport aux matériaux combustibles signifie que TOUS ceux-ci doivent être à l'extérieur de cette zone de 12 po (30 cm). En cas, par exemple, d'île à surface carrelée ou en stuc et à armature en bois, ce dernier est considéré comme combustible, même si le gril touche la surface carrelée ou en stuc, qui ne l'est pas. À l'extrême limite, le bois pourrait devenir suffisamment chaud pour brûler.

OUÏES D'AÉRATION

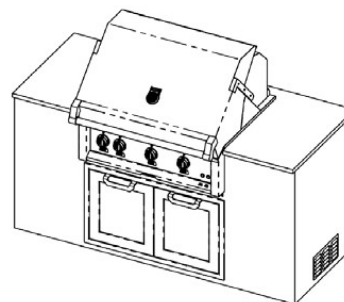
Au moins trois ouïes d'aération de 10 po² (65 cm²) doivent être prévues sur les côtés gauche et droit de l'enceinte (île), ainsi qu'à l'arrière. Ces ouïes sont nécessaires pour dissiper les vapeurs de gaz en toute sécurité en cas de fuite dans l'enceinte.

DIMENSIONS EN CAS D'ENCASTREMENT :

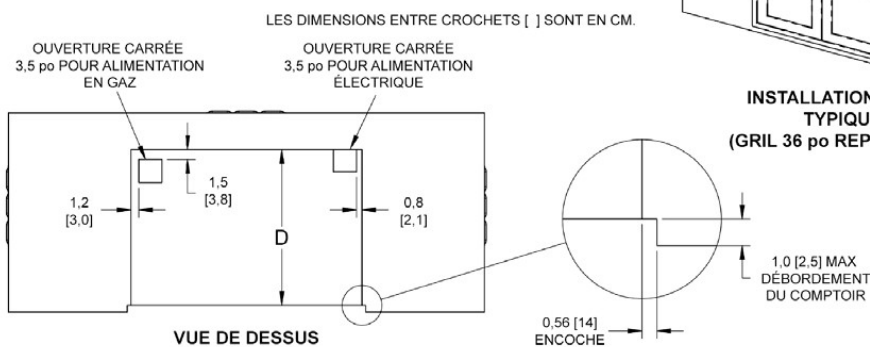


CONFIGURATION POUR ENCEINTE NON COMBUSTIBLE (ÎLE)

MODÈLE DE GRIL	W		D		H	
	(po)	(cm)	(po)	(cm)	(po)	(cm)
GRIL 30 po	29.0	73,7	23,50	59,7	12.0	30,5
GRIL 36 po	35.0	88,9	23,50	59,7	12.0	30,5
GRIL 42 po	41.0	104,1	23,50	59,7	12.0	30,5



INSTALLATION EN ÎLE TYPIQUE (GRIL 36 po REPRÉSENTÉ)

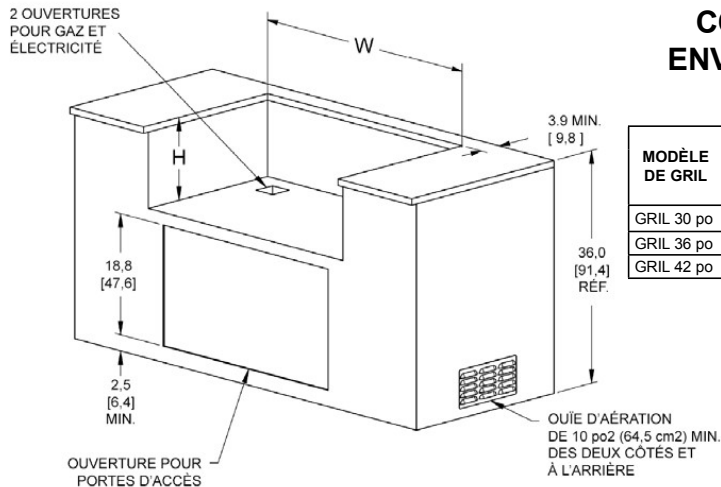




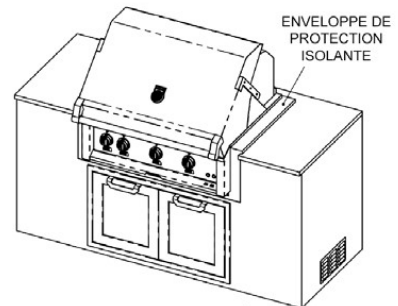
INSTALLATION (suite)

FR

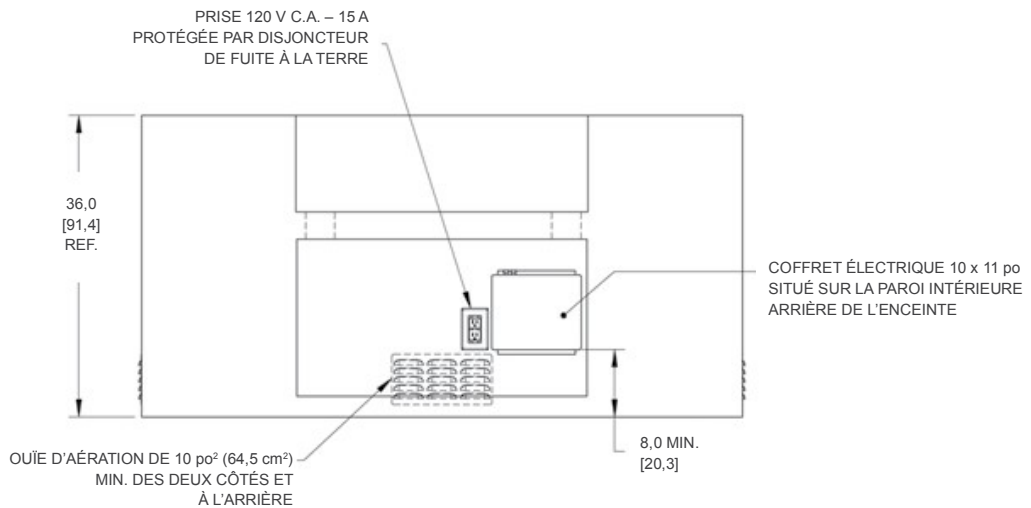
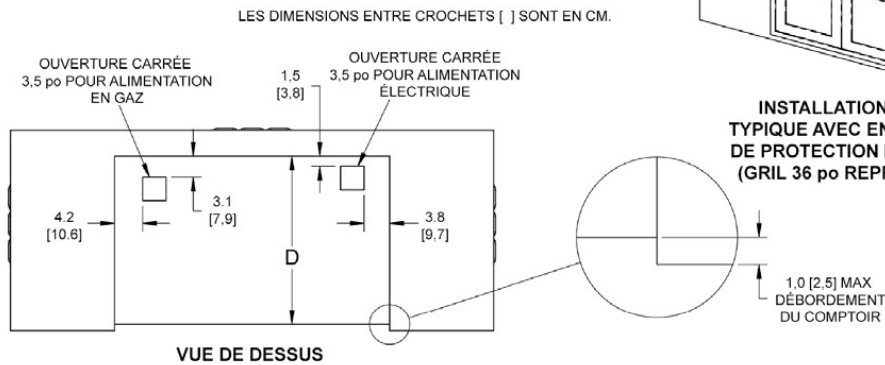
CONFIGURATION POUR ENCEINTE COMBUSTIBLE (ÎLE) AVEC ENVELOPPE DE PROTECTION ISOLANTE



MODÈLE DE GRIL	W		D		H		N° RÉF. ENVELOPPE DE PROTECTION ISOLANTE
	(po)	(cm)	(po)	(cm)	(po)	(cm)	
GRIL 30 po	35,0	88,9	25,1	63,8	12,8	32,5	008649
GRIL 36 po	41,0	104,1	25,1	59,7	12,8	32,5	006884
GRIL 42 po	47,0	119,4	25,1	59,7	12,8	32,5	008648



INSTALLATION EN ÎLE TYPIQUE AVEC ENVELOPPE DE PROTECTION ISOLANTE (GRIL 36 po REPRÉSENTÉ)





**HESTAN PERMET UN
CONTRÔLE PERMANENT.**



RACCORDEMENTS DE GAZ

ALIMENTATION EN GAZ

Consulter les autorités locales responsables ou le fournisseur lors de la phase de planification de l'installation afin de vérifier qu'un approvisionnement suffisant en gaz (gaz naturel ou GPL) est disponible. S'il s'agit d'une nouvelle installation, demander aux autorités locales responsables ou au fournisseur de vérifier la capacité du compteur et la tuyauterie pour s'assurer que l'appareil reçoit le volume et la pression de gaz dont il a besoin pour fonctionner.

Faire effectuer les raccordements de gaz par un plombier qualifié ou un installateur professionnel d'appareils de cuisson en plein air.

Tous les appareils fixes (non mobiles) doivent être équipés d'un robinet d'arrêt amont de gaz accessible permettant de les isoler pour arrêt d'urgence et entretien.

S'assurer que la tuyauterie et les raccordements nouveaux ont été posés dans des conditions de propreté et purgés de façon à empêcher de la pâte à tuyau, des débris, etc. de boucher les détendeurs, robinets, orifices calibrés ou brûleurs. Utiliser une pâte à tuyau ou pâte d'étanchéité pour raccords filetés homologuées pour le gaz naturel et le GPL.

NE JAMAIS RACCORDER LE GRIL À UNE ALIMENTATION EN GAZ SANS DÉTENDEUR. Avant de procéder à l'installation, s'assurer que l'appareil est adapté au gaz naturel ou au GPL. Le raccordement à une alimentation en gaz incorrect entraînera un rendement médiocre et un risque accru de dégâts matériels ou de blessures. Le type et la consommation (BTU/h) de gaz de chaque type de brûleur sont indiqués sur la plaque signalétique fixée au dessous du bac de récupération.

L'installation de cet appareil de cuisson doit être effectuée conformément aux codes locaux. En l'absence de tels codes, installer cet appareil conformément au National Fuel Gas Code ANSI Z223.1.1/NFPA 54, au code Natural Gas and Propane Installation CSA B149 ou au Propane Storage and Handling Code B149.2.

REMARQUE : voir la plaque signalétique pour la pression d'admission du type de gaz de l'appareil.

KITS DE CONVERSION

Des kits de conversion sont disponibles auprès du concessionnaire Hestan en cas de besoin de conversion d'un appareil du GPL au gaz naturel, ou vice versa.

KITS POUR HAUTES ALTITUDES

Si on vit dans une région à haute altitude, c'est-à-dire au moins 2000 pi (610 m) au-dessus du niveau de la mer, le gril exigera des orifices calibrés différents pour une combustion et un rendement appropriés. Des kits pour hautes altitudes sont disponibles par l'intermédiaire du service clientèle de Hestan. Avoir les numéros de modèle et de série à portée de la main pour téléphoner.

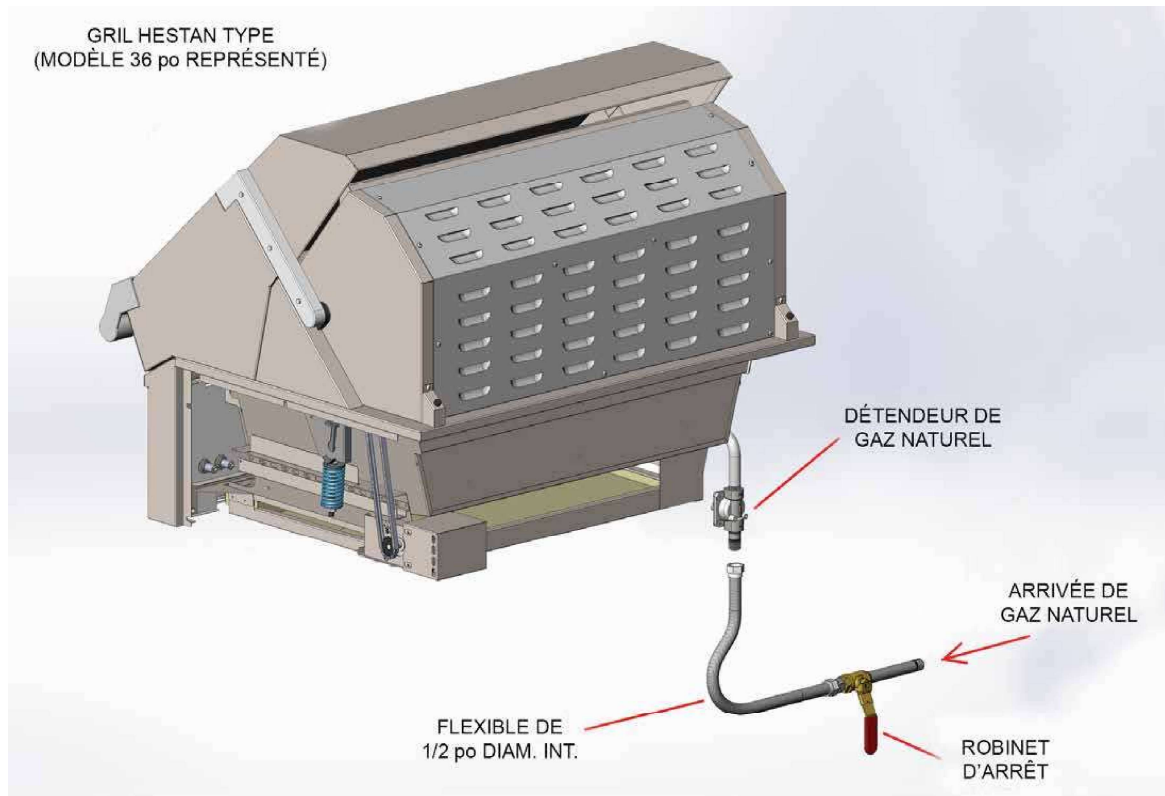
RACCORDEMENTS DE GAZ (suite)



RACCORDEMENT DE GAZ – GAZ NATUREL

REMARQUE : pour faire en sorte que cet appareil chauffe bien, vérifier que la pression dans la conduite d'alimentation en gaz est suffisante (une pression de 7,0 po à la colonne d'eau est préférable) pour maintenir une pression d'admission de 4,0 po à la colonne d'eau. Utiliser un flexible d'au moins 1/2 po de diam. int. pour empêcher une insuffisance de gaz. S'assurer que la conduite de branchement alimentant le gril est pourvue d'un robinet d'arrêt facile d'accès permettant de couper le gaz en cas d'urgence.

FR



Le gril Hestan fonctionnant au gaz naturel est équipé de son propre détendeur qui NE DOIS PAS être déposé. S'il s'avère nécessaire de remplacer le détendeur, n'utiliser que le type spécifié par Hestan pour cet appareil.

Pour raccorder l'ensemble détendeur / flexible, procéder comme suit :

1. Localiser le détendeur et le point de raccordement du gaz dans le côté arrière droit du gril (sur les modèles montés sur chariot, déposer le panneau arrière pour y accéder).
2. Poser le détendeur de gaz naturel comme indiqué. Raccorder l'alimentation en gaz au moyen d'un tuyau de gaz flexible (semi-rigide) en acier inoxydable d'au moins 1/2 po de diamètre ne dépassant pas 48 po de long. Le tuyau, ainsi que les raccords, doivent être conformes à la norme *Standard for Connectors for Outdoor Gas Appliances and Manufactured Homes, ANSI Z21.75 • CAS 6.27*, et être adaptés à une installation en plein air. Appliquer de la pâte d'étanchéité appropriée sur tous les raccords.
3. Passer à la section CONTRÔLE D'ÉTANCHÉITÉ.

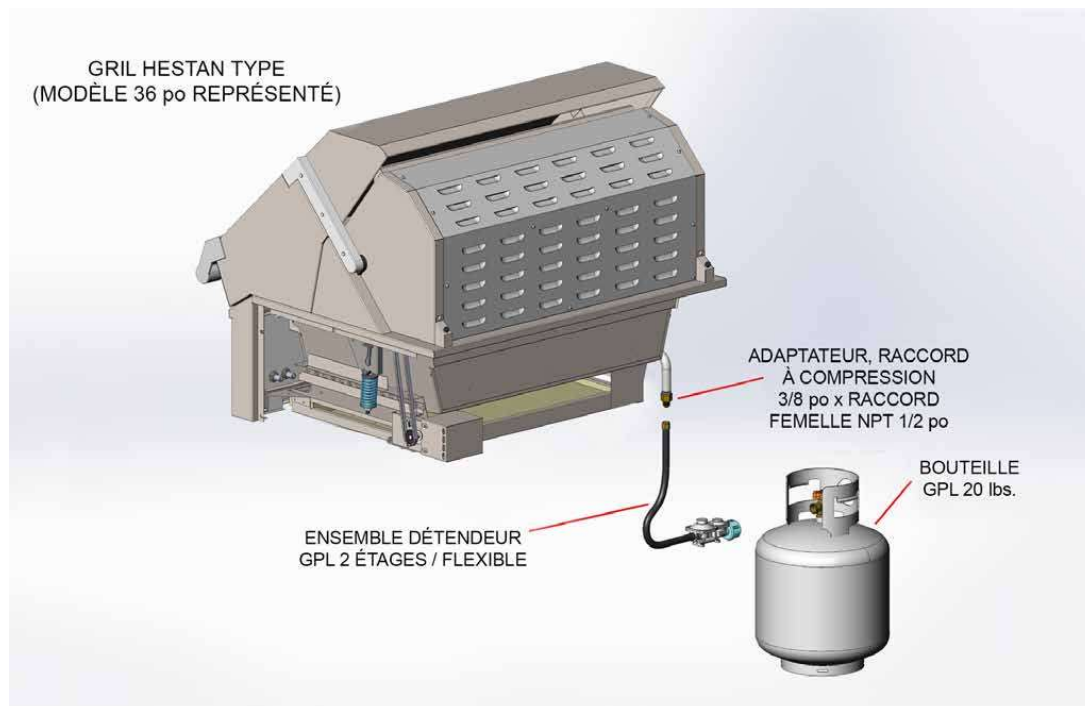


RACCORDEMENTS DE GAZ (suite)

RACCORDEMENT DE GAZ – BOUTEILLE DE PROPANE LIQUIDE (GPL)

Le gril Hestan fonctionnant au GPL est équipé d'un ensemble détenteur à deux étages / flexible permettant le raccordement à une bouteille de GPL standard de 20 lbs. Cet ensemble doit être utilisé SANS modification. S'il s'avère nécessaire de remplacer cet ensemble, s'adresser au concessionnaire Hestan pour une pièce de rechange authentique n° réf. 006256.

REMARQUE : pour faire en sorte que cet appareil chauffe bien, vérifier que la pression d'alimentation est suffisante (une pression de 11,0 po à la colonne d'eau est préférable) pour maintenir une pression d'admission de 10,0 po à la colonne d'eau.



Pour raccorder l'ensemble détenteur / flexible, procéder comme suit :

1. Localiser le détenteur et le point de raccordement du gaz dans le côté arrière droit du gril (sur les modèles montés sur chariot, déposer le panneau arrière pour y accéder).
2. Brancher l'ensemble détenteur / flexible à l'adaptateur raccord de compression de 3/8 po x raccord femelle NPT de 1/2 po.
3. Raccorder l'ensemble détenteur/flexible à une bouteille de GPL standard de 20 lbs. Le tuyau, ainsi que les raccords, doivent être conformes à la norme Standard for Connectors for Outdoor Gas Appliances and Manufactured Homes, ANSI Z21.75 • CAS 6.27, et être adaptés à une installation en plein air. Appliquer de la pâte d'étanchéité appropriée sur tous les raccords.
4. Passer à la section CONTRÔLE D'ÉTANCHÉITÉ.

RACCORDEMENT DE GAZ – SYSTÈMES DE CONDUITES DE GPL

Dans un système de conduites de GPL, un grand réservoir central de GPL alimente l'ensemble d'une habitation. Ces systèmes sont généralement équipés d'un détenteur haute pression qui se trouve à côté du grand réservoir et d'un détenteur basse pression proche de l'habitation. Les raccords des conduites de gaz doivent être conformes à la norme Standard for Connectors for Outdoor Gas Appliances and Manufactured Homes, ANSI Z21.75 • CAS 6.27, et être adaptés à une installation en plein air. La longueur du raccordement ne doit pas dépasser 6 pi (1,82 m).

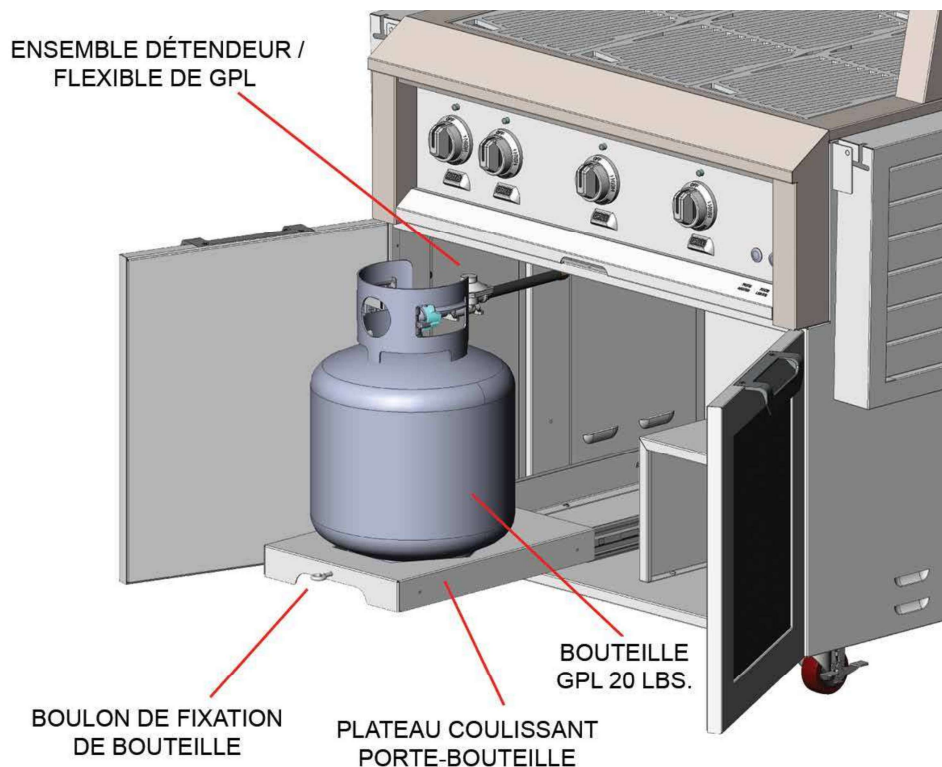
REMARQUE : pour faire en sorte que cet appareil chauffe bien, vérifier que la pression d'alimentation est suffisante (une pression de 11,0 po à la colonne d'eau est préférable) pour maintenir une pression d'admission de 10,0 po à la colonne d'eau.

RACCORDEMENTS DE GAZ (suite)



RETENUE DE BOUTEILLE DE GPL

Si le gril Hestan est monté sur un chariot, veiller à maintenir la bouteille de GPL en l'assujettissant au moyen du boulon de fixation sur le plateau coulissant comme indiqué ci-dessous. Il est important que la bouteille ne bascule pas ou n'étire pas le tuyau, ce qui pourrait causer une fuite de gaz.



FR

CONTRÔLE D'ÉTANCHÉITÉ

GÉNÉRALITÉS

Bien que l'étanchéité de tous les raccords de gaz de ce gril Hestan ait été contrôlée à l'usine préalablement à l'expédition, un contrôle complet d'étanchéité doit être effectué sur le lieu d'installation pour tenir compte d'un possible déplacement en cours de transport ou d'une pression excessive exercée par mégarde sur certaines pièces de l'appareil. Contrôler régulièrement l'étanchéité de l'ensemble du système ou le faire immédiatement si on perçoit une odeur de gaz.

AVANT LE CONTRÔLE

- Ne pas fumer pendant le contrôle d'étanchéité.
- Ne jamais contrôler l'étanchéité avec une flamme nue.
- Préparer une solution savonneuse consistant en un volume de détergent liquide et un volume d'eau à des fins de contrôle d'étanchéité.
- Appliquer de la solution sur les raccords de gaz à l'aide d'un flacon pulvérisateur ou d'un pinceau.
- Pour les appareils au GPL, toujours effectuer le contrôle alors que leur bouteille est pleine.



RACCORDEMENTS DE GAZ (suite)

POUR EFFECTUER LE CONTRÔLE

- S'assurer que tous les robinets de réglage sont en position « OFF ».
- Appliquer de la solution savonneuse décrite plus haut sur tous les raccords.
- Ouvrir l'arrivée de gaz.
- Contrôler tous les raccordements depuis la conduite d'alimentation ou la bouteille de GPL jusqu'au tuyau collecteur compris.
- Des bulles de savon se formeront à l'emplacement d'une fuite. En cas de fuite, couper immédiatement l'arrivée de gaz, resserrer tout raccord qui fuit, rouvrir l'arrivée de gaz et recommencer le contrôle.
- S'il s'avère impossible d'arrêter une fuite de gaz, couper l'arrivée de gaz et s'adresser au concessionnaire qui a vendu le gril.
- Ne pas utiliser le gril tant que tous les raccordements n'ont pas été contrôlés et qu'ils fuient.

REMARQUE IMPORTANTE – TOUJOURS CONTRÔLER L'ÉTANCHÉITÉ APRÈS CHAQUE CHANGEMENT DE BOUTEILLE DE GPL.

En cas de fuite ou si le tuyau présente des signes d'abrasion ou d'usure excessive, ou de coupure, il doit être remplacé avant utilisation du gril. Le tuyau et le détendeur de GPL sont fournis sous forme d'ensemble complet et doivent être remplacés comme tel. Ne pas essayer de réparer ou remplacer le tuyau seul. S'adresser au concessionnaire Hestan pour une pièce de rechange authentique, n° réf. 006256.

Contrôler l'étanchéité de tous les raccords d'alimentation en gaz avant chaque utilisation. Il est pratique de conserver un flacon pulvérisateur d'eau savonneuse près du robinet d'arrêt de la conduite d'alimentation en gaz. Pulvériser sur tous les raccords. Des bulles indiquent des fuites.

ALIMENTATION ÉLECTRIQUE

Important : Cet appareil doit être mis à la terre conformément aux codes locaux ou, en leur absence, au National Electrical Code, ANSI/NFPA 70-1990.



Les appareils pourvus d'un cordon souple d'alimentation sont fournis avec une fiche tripolaire de mise à la terre. Cette fiche doit être impérativement branchée dans une prise tripolaire correctement mise à la terre. Si la prise n'est pas du type à mise à la terre approprié, s'adresser à un électricien. Ne pas enlever la broche de mise à la terre de cette fiche.

Le gril est conçu pour le courant alternatif de 120 volts et doit être raccordé à un circuit protégé par disjoncteur de fuite à la terre. Ne pas raccorder le gril à l'alimentation électrique avant d'avoir effectué tous les raccordements de gaz et contrôlé leur étanchéité.

MAINTENIR TOUT CORDON ÉLECTRIQUE ET TUYAU D'ALIMENTATION EN COMBUSTIBLE À L'ÉCART DE TOUTE SURFACE CHAUFFÉE.

1. Pour se protéger des chocs électriques, ne pas plonger le cordon ni ses fiches dans de l'eau ou un autre liquide.
2. Le débrancher de la prise lorsque l'appareil n'est pas en service et avant le nettoyage. Laisser l'appareil refroidir avant de poser ou de déposer des pièces.
3. Ne pas faire fonctionner un appareil à gaz de cuisson en plein air dont le cordon ou la fiche est endommagé ni après un dysfonctionnement ou endommagement quelconque de l'appareil. S'adresser au fabricant pour la réparation.
4. Ne pas laisser le cordon pendre par-dessus le bord d'une table ni toucher des surfaces très chaudes.
5. Ne pas utiliser un appareil à gaz de cuisson en plein air dans un rôle autre que celui pour lequel il est conçu.
6. N'utiliser qu'un circuit protégé par disjoncteur de fuite à la terre avec cet appareil à gaz de cuisson en plein air
7. Ne jamais retirer la broche de mise à la terre ni utiliser un adaptateur à 2 broches.
8. N'utiliser que des cordons prolongateurs à fiche tripolaire de mise à la terre d'une intensité correspondant à celle de l'alimentation de l'appareil et agréés pour une utilisation en plein air, ce qu'indique la marque « W-A ».

RACCORDEMENTS DE GAZ (suite)



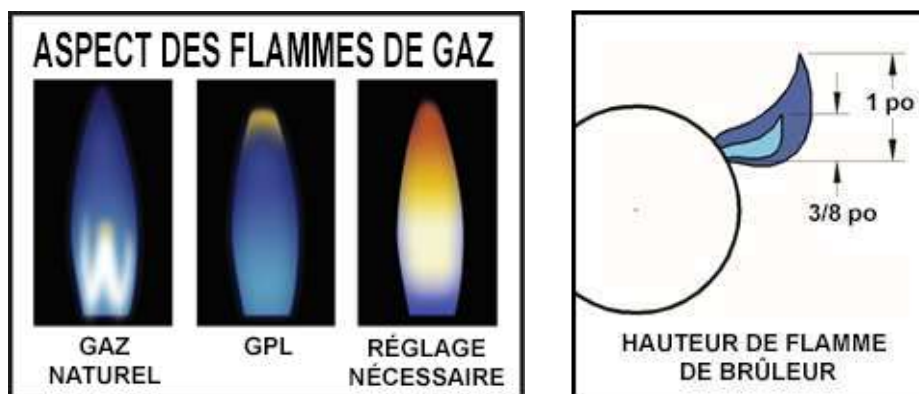
RÉGLAGES DES BRÛLEURS

Les grils Hestan sont équipés de Trellis Burners™ sans équivalent, ainsi que d'un tournebroche et de brûleurs de saisie à infrarouges. Les instructions suivantes ne s'appliquent qu'aux Trellis Burners™.

RÉGLAGE DE LA FLAMME DES TRELLIS BURNERS™

Chaque brûleur du gril est contrôlé et réglé à l'usine avant l'expédition. Le choix de l'orifice calibré adapté au type de gaz et le réglage du mélange air-combustible (obturateur d'air) ont été effectués au même moment. Toutefois, les variations affectant le gaz distribué localement, l'altitude à laquelle on vit, la conversion d'un type de gaz à un autre et d'autres facteurs pourraient rendre nécessaire un réglage de la flamme des brûleurs.

Contrôler visuellement la flamme des brûleurs et la comparer aux figures qui suivent.



Les flammes doivent être bleues et stables sans pointes jaunes (celles des appareils au GPL auront parfois des pointes jaunes). Il ne doit pas y avoir de bruit excessif ni de « décollage » de la flamme des brûleurs. Si l'une quelconque de ces situations existe, déposer les brûleurs et rechercher la présence de crasse, de débris, de toiles d'araignées obstruant l'obturateur d'air ou les orifices de combustion. Procéder au réglage des obturateurs d'air si nécessaire.

RÉGLAGE DES OBTURATEURS D'AIR

Déposer le panneau de commande pour accéder à la zone des orifices calibrés et aux obturateurs d'air des brûleurs. Un chapeau métallique à l'entrée du brûleur, appelé « OBTURATEUR D'AIR », règle la quantité d'air qui pénètre dans le brûleur pour permettre la combustion (voir Fig. 4). L'obturateur d'air est pourvu d'une vis de blocage qui doit être desserrée avant le réglage. Déposer le brûleur avec précaution du gril. À l'aide d'un marqueur, tracer un repère indiquant la position de l'ouverture de l'obturateur d'air puis desserrer la vis de celui-ci. Remettre le brûleur en place. S'assurer que les brûleurs sont bien en place sur les orifices calibrés en prenant soin de ne pas déplacer ni endommager les électrodes d'allumeurs. Remettre les plateaux radiants en place.

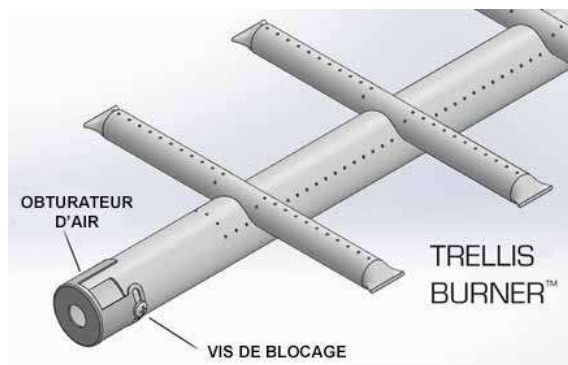


Figure 4



RACCORDEMENTS DE GAZ (suite)

Allumer le brûleur et le régler comme suit :

- Tourner le robinet sur « HIGH », allumer le brûleur et le laisser chauffer pendant 10 minutes. Faire attention car le brûleur sera très chaud à partir de ce moment.
- Si la flamme est jaune, ce qui indique une insuffisance d'air, tourner l'obturateur d'air dans le sens antihoraire pour laisser plus d'air entrer dans le brûleur.
- Si la flamme est bruyante et a tendance à se soulever pour se séparer des orifices de combustion, ce qui indique un excès d'air, tourner l'obturateur d'air dans le sens horaire pour réduire la quantité d'air entrant dans le brûleur.
- Une fois qu'une bonne flamme a été établie, tracer un nouveau repère avec le marqueur.
- Déposer le brûleur de nouveau et resserrer la vis de blocage de l'obturateur d'air en prenant note de la position nouvellement marquée.
- Répéter cette opération pour chaque brûleur.
- Vérifier une dernière fois que tous les brûleurs sont bien en place sur leurs orifices calibrés et leur attache de suspension arrière.
- Remettre tous les plateaux radiants et grilles de cuisson en place.
- Remettre le panneau de commande et les boutons de réglage en place.

RÉGLAGES DE ROBINETS

Les robinets de ce gril Hestan sont préréglés à l'usine pour permettre des performances optimales. La position de feu doux de ces robinets est réglable si l'altitude, le rendement à feu doux, la conversion d'un gaz à un autre ou d'autres facteurs indiquent qu'un réglage est nécessaire. Il est déconseillé de régler les robinets de tournebroche ou de brûleurs de saisie.



NE JAMAIS RÉGLER LE BRÛLEUR TELLEMENT BAS QU'IL RISQUE DE S'ÉTEINDRE EN COURS D'UTILISATION. NE PAS FAIRE FONCTIONNER LE GRIL SI LA VIS DE FEUX DOUX A ÉTÉ ENLEVÉE. DU GAZ PEUT S'ÉCHAPPER ET CRÉER UNE SITUATION POTENTIELLEMENT DANGEREUSE.

ÉTAPES DE RÉGLAGE :

1. Retirer les boutons de réglage, le bac de récupération et le panneau de commande de l'appareil.
2. Appliquer les instructions d'allumage en plaçant le bouton de réglage sur « Hi » et laisser le brûleur chauffer pendant 10 minutes.
3. Tourner le bouton de réglage sur « LOW » et attendre que la température du brûleur baisse et se stabilise, ce qui demande 10 minutes environ. Une tentative de réglage dans toute position autre que LOW peut créer une situation dangereuse.
4. Introduire un petit tournevis plat dans la tige du robinet pour commencer le réglage (voir Fig. 5). La vis n'offre que 2 ou 3 tours complets de réglage, après lesquels elle peut continuer de tourner mais sort alors du robinet, ce qui pourrait entraîner une fuite de gaz. NE PAS tourner la vis de plus de 3 tours.
5. La tourner très lentement dans le sens antihoraire pour AUGMENTER la flamme à feu doux. Il faudra quelques secondes à la flamme pour réagir aux réglages effectués.
6. Régler la flamme de façon à ce que tous les orifices de combustion restent complètement allumés, sans tremblement ni extension. Éteindre le brûleur et le rallumer. Vérifier une fois de plus le réglage du feu doux pour s'assurer qu'il est maintenant correct. Remettre le bouton de réglage en place.

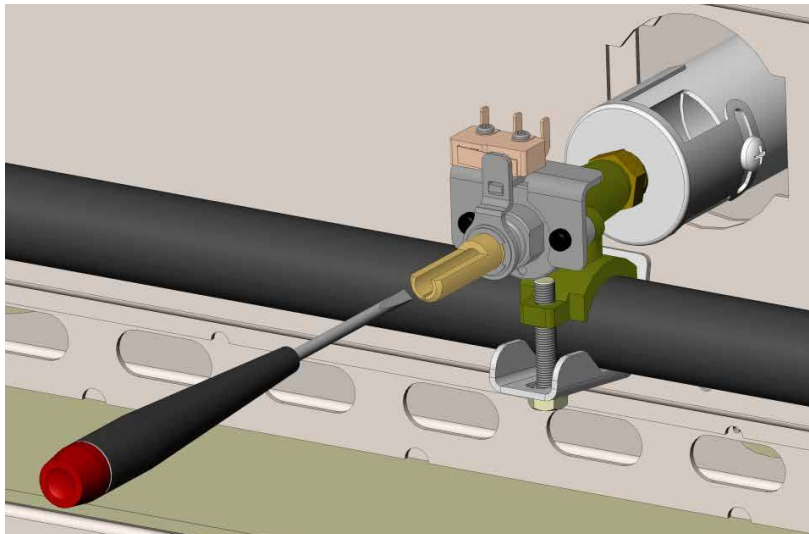


Figure 5

RÉGLAGE DE FLAMME DE BRÛLEUR À INFRAROUGE

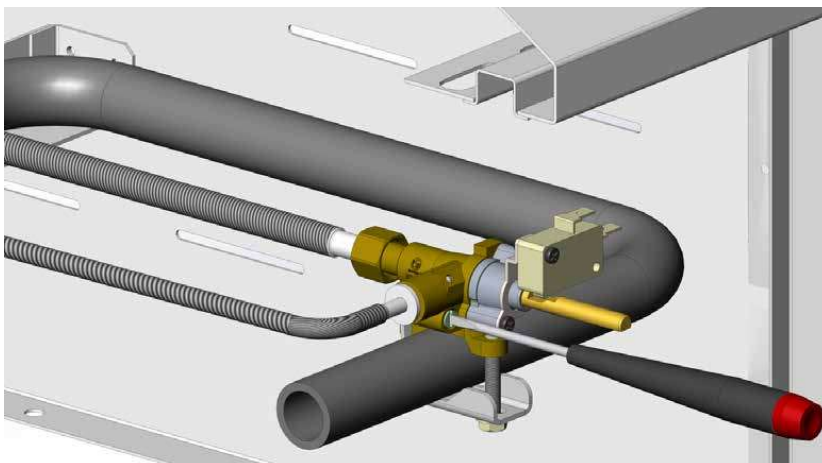
Les brûleurs à infrarouge n'exigent aucun réglage et il suffit de vérifier visuellement qu'ils fonctionnent bien. En position HIGH, un brûleur à infrarouge rougeoie uniformément sur l'ensemble de sa surface. Un rougeoiement diminué et/ou un « halo » étendu de flamme bleue sur la surface du brûleur à infrarouge indique une mauvaise circulation d'air ou une obstruction au niveau du brûleur lui-même. Le faire réparer.

RÉGLAGE DE FLAMME DE BRÛLEUR LATÉRAL

Les brûleurs latéraux Hestan sont pré-réglés à l'usine pour permettre des performances optimales. Toutefois, ces robinets offrent également un réglage de flamme pour feu doux (pour faire mijoter) si l'altitude, le rendement à feu doux, la conversion d'un gaz à un autre ou d'autres facteurs indiquent qu'un réglage est nécessaire. Procéder comme pour le réglage des robinets de Trellis Burner™ décrit plus haut.



NE JAMAIS RÉGLER LE BRÛLEUR LATÉRAL TELLEMENT BAS QU'IL RISQUE DE S'ÉTEINDRE EN COURS D'UTILISATION.





INSTRUCTIONS D'ALLUMAGE

Les grils Hestan sont équipés d'allumeurs à incandescence pour tous les Trellis Burners™, ainsi que pour le tournebroche et les brûleurs de saisie. Les allumeurs à incandescence offrent une fonction de « prolongation de délai » qui maintient l'incandescence du brûleur pendant une période prolongée pour garantir un allumage réussi du brûleur.

Remarque : Cette fonction ne s'applique qu'aux brûleurs principaux, pas au tournebroche.

Si le gril est équipé d'un brûleur latéral Hestan, il est doté d'un système d'allumage à étincelles avec détection de flamme qui ranime la flamme si elle s'éteint.

Les brûleurs peuvent tous être allumés manuellement si cela s'avère nécessaire.

DISPOSITION DES BOUTONS DE RÉGLAGE

Une disposition type (modèle de 36 po représenté, Fig. 6) des boutons de réglage est illustrée ci-dessous. La commande de tournebroche se trouve toujours tout à fait à gauche. Les témoins à LED du panneau de commande et les commandes du moteur de tournebroche se trouvent tout à fait à droite.

Les instructions d'allumage de tous les brûleurs se trouvent sur la poignée du bac de récupération, tout à fait à gauche du gril.



Figure 6

ALLUMAGE DES BRÛLEURS DU GRIL (TRELIS BURNER™ OU BRÛLEUR SE SAISIE)

1. Lire le manuel d'utilisation et d'entretien avant d'allumer le gril. Ouvrir le couvercle pendant l'allumage. S'éloigner autant que possible lors de l'allumage.
2. Appuyer sur le bouton sélectionné pendant 5 secondes puis le tourner sur « HIGH ». Le brûleur doit alors s'allumer. Une fois qu'il est allumé, régler la flamme selon le besoin.
3. Si un brûleur ne s'allume pas en 5 secondes, tourner son bouton sur « OFF » et attendre 5 minutes avant de rallumer.
4. Si un brûleur ne réussit pas à s'allumer, voir le MANUEL D'UTILISATION ET D'ENTRETIEN pour des instructions d'allumage à l'aide d'une allumette.

ALLUMAGE DU BRÛLEUR DE TOURNEBROCHE

1. Appuyer sur le bouton pendant 5 secondes puis le tourner sur « HIGH ». Continuer de maintenir le bouton enfoncé pendant au moins 30 secondes après l'allumage. Le brûleur de tournebroche doit alors rester allumé et commencer à rougeoier. Relâcher le bouton ; le brûleur doit rester allumé.
2. Si un brûleur ne reste pas allumé, tourner son bouton sur « OFF » et attendre 5 minutes avant de rallumer.
3. Si un brûleur ne réussit pas à s'allumer, voir le MANUEL D'UTILISATION ET D'ENTRETIEN pour des instructions d'allumage à l'aide d'une allumette.

INSTRUCTIONS D'ALLUMAGE (suite)



ALLUMAGE DES BRÛLEURS LATÉRAUX

1. Lire le manuel d'utilisation et d'entretien avant d'allumer. Enlever le couvercle lors de l'allumage.
2. S'éloigner autant que possible lors de l'allumage.
3. Appuyer sur le bouton sélectionné et le tourner en position « HIGH ». L'allumeur produit des étincelles jusqu'à ce qu'une flamme soit obtenue.
4. Une fois le brûleur allumé, tourner le bouton à la position correspondant au réglage de flamme désiré. Si aucune étincelle ne se produit, vérifier l'alimentation électrique.
5. Si un brûleur ne s'allume pas en 5 secondes, tourner son bouton sur « OFF » et attendre 5 minutes avant de rallumer.
6. Si un brûleur ne réussit pas à s'allumer, voir le MANUEL D'UTILISATION ET D'ENTRETIEN pour des instructions d'allumage à l'aide d'une allumette.

Remarque : le détecteur de flamme de l'allumeur à étincelles déclenchera ce dernier de façon répétée (en produisant un dé clic) jusqu'à ce qu'une flamme s'allume. En cas de production intempestive d'étincelles en cours de fonctionnement normal du brûleur, voir la section DÉPANNAGE de ce manuel. Une flamme très faible en cas de grand vent est généralement à l'origine de cette production intempestive d'étincelles.

INSTRUCTIONS D'ALLUMAGE À L'AIDE D'UNE ALLUMETTE

Si un brûleur ne s'allume pas après plusieurs tentatives, il est possible de l'allumer avec une allumette. Ouvrir le couvercle et attendre 5 minutes pour permettre à tout gaz accumulé de se dissiper hors du gril. Utiliser une allumette longue pour cheminée ou attacher une allumette courte à la pince d'allumage par allumette fournie avec ce gril Hestan (voir Fig. 7 ci-après).

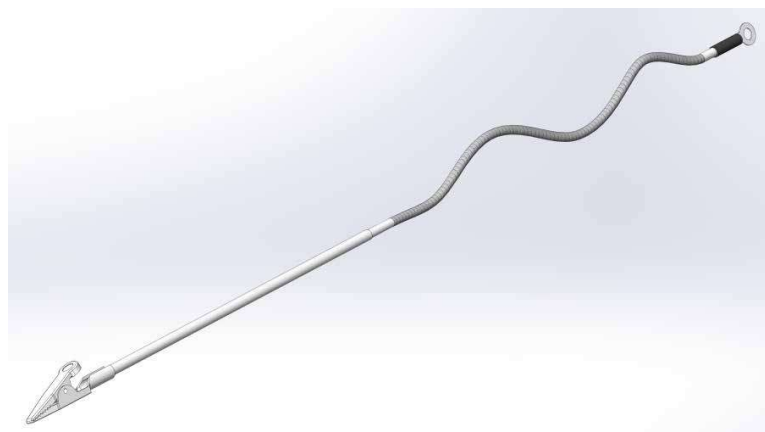


Figure 7

Lorsqu'on essaye d'allumer un brûleur à l'aide d'une allumette, veiller à choisir le bouton de réglage correspondant à ce brûleur. Éloigner le visage autant que possible et faire passer l'allumette allumée par les ouvertures des grilles de cuisson et des plateaux radiants puis la placer près des orifices de combustion. Appuyer sur le bouton de réglage et le tourner sur « HIGH » jusqu'à ce que le brûleur s'allume. Répéter cette opération pour chaque brûleur si nécessaire. Si un brûleur ne s'allume pas en 5 secondes, tourner son bouton de réglage sur « OFF » et attendre 5 minutes avant d'essayer de nouveau. Si le brûleur ne s'allume pas après plusieurs tentatives, voir la section DÉPANNAGE de ce manuel. Les brûleurs latéraux peuvent être allumés de la même manière, bien qu'une allumette longue puisse ne pas être nécessaire.

Dans les endroits ensoleillés, les brûleurs à infrarouge de tournebroche et de saisie peuvent être difficiles à voir s'ils sont allumés. Après avoir essayé d'allumer un de ces brûleurs, bouger la main en faisant très attention 8 à 10 po (20 à 25 cm) au-dessus de la surface du brûleur pour savoir si celui-ci dégage de la chaleur. Si ce n'est pas cas, OU SI ON PERÇOIT UNE ODEUR DE GAZ, tourner le bouton de réglage en position d'arrêt et attendre 5 minutes avant d'essayer de rallumer.

**NOUS NE NOUS
SATISFERONS
JAMAIS DU STATU
QUO ; NOUS SOMMES
LES IMPATIENS,
LES RÊVEURS, LES
FIGNOLEURS.**

UTILISATION DU GRIL



Ce gril Hestan est un appareil de cuisson puissant et polyvalent. Les grillades traditionnelles exigent une chaleur intense pour les saisir et les faire revenir comme il faut. On cuit de nombreuses viandes d'abord sur « HIGH » pour les saisir et les faire revenir et pour qu'elles restent juteuses. Il est ensuite possible d'abaisser la température pour finir de les cuire, comme c'est le cas pour les grosses pièces de viande ou les volailles. Cette méthode permet de bien cuire la viande sans brûler l'extérieur. Un barbecue traditionnel (cuisson longue à basse température) est également possible avec ce gril Hestan. Comme c'est le cas avec tout nouvel appareil, il faut un certain temps pour se familiariser avec ce gril, la température à laquelle il fonctionne, les temps de cuisson des aliments que l'on préfère, etc. NE PAS laisser le gril sans surveillance pendant la cuisson.

FR

PRÉCHAUFFAGE

Le temps de préchauffage typique pour le Trellis Burner™ est de 10 à 15 minutes environ sur « HIGH ». Le tournebroche et les brûleurs de saisie à infrarouge exigent également 10 à 15 minutes de préchauffage.

INDICATEUR DE TEMPÉRATURE

La grande jauge de température dans votre hotte Hestan indique lorsque votre gril est prêt pour la cuisson. Le cadran indique la température de l'air dans votre gril. S'il vous plaît ajouter environ 200°F (93°C) pour la température de surface de la grille (voir Fig. 8).

CUISSON AVEC LES TRELIS BURNERS™ ET LES BRÛLEURS DE SAISIE

La forme unique du Hestan Trellis Burner™ fut conçue avec une chauffe uniforme à l'esprit. Les brûleurs, ainsi que les robinets conçus spécialement, permettent une large plage de températures de cuisson. Le Trellis Burner™ peut saisir et griller les viandes à haute température ou être réglé plus bas pour un barbecue authentique. Les plateaux radiants à briquettes font partie intégrante de ce système de cuisson. Ils servent à uniformiser la chaleur, tout en réduisant les flambées soudaines et en vaporisant le jus de cuisson, ce qui dégage des arômes qui sont absorbés par la viande.

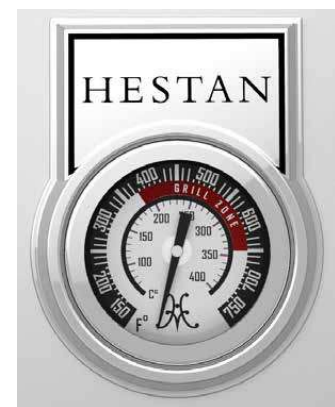


Figure 8

Pour ceux qui sont un peu plus exigeants, la chaleur extrême dégagée par les brûleurs de saisie à infrarouge Hestan offre encore plus de puissance à ceux qui souhaitent une saisie rapide pour préserver la saveur, tout en permettant de garder le contrôle de la température. Les temps de cuisson sont toutefois beaucoup plus courts. Les couvercles métalliques des brûleurs servent à protéger les carreaux céramiques des débris alimentaires et du jus de cuisson qui pourrait boucher les milliers de pores des carreaux. La plus grande partie du jus de cuisson et de la graisse se vaporise instantanément au contact du couvercle et des carreaux chauds.

CUISSON AVEC LE TOURNEBROCHE

La cuisson au tournebroche permet une répartition uniforme de la chaleur pour les aliments. Non seulement la rotation constante cuit les aliments uniformément, elle autobadigeonne également la viande au fur et à mesure que les jus remontent à la surface et s'écoulent naturellement autour. La position du brûleur de tournebroche Hestan fait en sorte que les flambées soudaines ne soient pas possibles et que la chaleur ne soit pas dirigée vers l'utilisateur quand le couvercle est ouvert. Les viandes seront cuites plus uniformément, plus tendres et plus juteuses quand elles sont grillées lentement sur un tournebroche Hestan.

Avant de cuire au tournebroche, faire pivoter la grille de maintien au chaud vers le bas pour faire de la place. Elle reposera contre la paroi arrière ou peut être déposée du gril. Une rôtissoire est fournie avec ce gril pour recueillir l'excédent de jus de cuisson et l'empêcher de boucher les brûleurs qui sont en dessous. Veiller à la retirer après s'être servi du tournebroche et avant d'utiliser les autres brûleurs.

Le système de tournebroche Hestan consiste en trois éléments principaux : le moteur, l'ensemble broche / fourchettes et le brûleur à infrarouge de tournebroche.

LE MOTEUR

Ce gril Hestan est équipé d'un moteur intégré à courant alternatif et transmission par chaîne qui peut accepter une charge de 50 lbs. et d'un diamètre maximum de 10 po (25 cm). Le gril doit être raccordé au secteur pour que le tournebroche fonctionne. La vitesse n'est pas réglable mais devrait être suffisante pour satisfaire la majorité des besoins de cuisson au tournebroche.



UTILISATION DU GRIL (suite)

L'ENSEMBLE BROCHE / FOURCHETTES

Le tournebroche peut accepter de grosses pièces de viande pesant jusqu'à 50 lbs. Préparer la viande et la monter sur la broche puis monter les fourchettes. Enfoncer le côté pointu de la broche dans la viande et centrer celle-ci sur la broche. Pousser une des fourchettes et l'enfoncer dans la viande puis serrer la vis de serrage (utiliser une pince si nécessaire). Répéter cette opération pour la fourchette opposée. Attacher toute partie pendante (telle qu'ailes) avec de la ficelle de boucher (ne jamais utiliser de ficelle en nylon ou en plastique).

La viande étant assujettie à la broche, faire tourner lentement celle-ci dans la paume des mains pour vérifier son équilibrage. Elle doit tourner sans à-coups. S'il apparaît qu'un côté est plus lourd, ajuster à l'endroit où la broche perce la viande. Un mauvais équilibrage de la broche entraînera une rotation irrégulière et une cuisson non uniforme. Il est normal pour la broche de fléchir sous une lourde charge pendant la cuisson.

Monter ensuite la broche sur le gril avant d'allumer le brûleur à infrarouge de tournebroche. Si on commence par allumer le brûleur, on risque de se brûler les mains quand on essaye de monter la broche sur le gril. Introduire le côté pointu de la broche dans le carré d'entraînement qui se trouve dans la paroi droite du gril et faire reposer l'autre côté sur les rouleaux de la paroi gauche du gril. Mettre le moteur en marche pour vérifier la rotation et l'équilibre de la viande sur la broche. Effectuer les réglages nécessaires.

LE BRÛLEUR DE TOURNEBROCHE

Le brûleur à infrarouge de tournebroche est pourvu d'une soupape de sûreté qui interrompt automatiquement la circulation du gaz lorsque le brûleur n'est pas bien allumé, comme par exemple s'il s'éteint en cas de grand vent. L'emplacement du brûleur de tournebroche devrait le rendre moins sensible aux vents forts mais il vaut mieux, par grand vent, maintenir le couvercle fermé et vérifier le brûleur de temps en temps. Pour allumer le brûleur, voir la section INSTRUCTIONS D'ALLUMAGE de ce manuel.

AVIS : éviter de faire couler de l'eau sur le brûleur de tournebroche car cela risquerait d'endommager les plaques de brûleur en céramique. Les dégâts causés par l'eau au brûleur de tournebroche ne sont pas couverts par la garantie.

REMARQUE : ne pas utiliser le thermomètre du gril pour la cuisson au tournebroche. Il n'est pas conçu pour enregistrer la chaleur infrarouge directe.

FUMOIR À COPEAUX DE BOIS

Il est possible, en utilisant de vrais copeaux de bois dans le système de fumoir de ce gril Hestan, d'ajouter de la saveur à tous les aliments grillés.

1. Faire tremper les copeaux de bois pendant au moins 30 minutes avant l'utilisation prévue du gril. Vider toute l'eau.
2. Remplir le plateau de fumoir des copeaux de bois égouttés.
3. Placer le plateau de fumoir sur la grille de cuisson à l'endroit où la température convient pour produire une combustion lente des copeaux, mais sans les brûler. On ne veut pas que les copeaux s'enflamment. Il devraient commencer à fumer au bout de 20 à 30 minutes environ.
4. Lorsque la fumée cesse, se servir de l'outil de retrait fourni avec le plateau de fumoir pour retirer avec précaution celui-ci du gril. Laisser le plateau refroidir complètement avant d'essayer de le remplir de nouveau de copeaux.



NETTOYAGE ET ENTRETIEN

ENTRETIEN DE L'ACIER INOXYDABLE

L'acier inoxydable est couramment utilisé dans les appareils des cuisines de restaurants et de résidences à cause de sa robustesse, de sa capacité de résistance à la corrosion et de sa facilité de nettoyage. Ces caractéristiques du métal sont malheureusement tenues pour acquises et on présume qu'aucun problème n'apparaîtra en cours de service. Un certain soin est toutefois nécessaire pour garantir une longue durée de service du gril.

NETTOYAGE ET ENTRETIEN (suite)



Afin de maintenir l'aspect initial de ce gril Hestan, il convient de le nettoyer régulièrement en procédant comme suit :

1. Après avoir utilisé le gril et pris les mesures de sécurité décrites en détail plus haut dans ce manuel, l'essuyer avec un chiffon doux imbibé d'eau savonneuse et le rincer avec de l'eau chaude propre. Cela devrait enlever la plupart des substances produites pendant que l'on grille.
2. Pour éliminer les taches tenaces, y compris les dépôts de graisse calcinée et d'origine alimentaire, appliquer une crème nettoyante non abrasive à usages multiples avec un chiffon doux humide. Rincer à l'eau douce comme indiqué plus haut. N'utiliser en aucun cas des tampons à récurer métalliques, sauf s'ils sont en acier inoxydable.
3. Ne pas utiliser d'abrasifs agressifs ni de tampons à récurer métalliques pour nettoyer l'acier inoxydable car ils laisseront des rayures sur la surface et dégraderont l'aspect du gril. De même, ne pas utiliser des brosses métalliques, des grattoirs ni des tampons à récurer sales.
4. Dans les zones à grain orienté, tout nettoyage effectué avec des abrasifs doit l'être dans le sens du grain, pas dans le sens contraire.
5. Après usage, toujours enlever les articles de nettoyage mouillés (tels que chiffons, tampons, contenants) de la surface pour éviter la formation de marques ou taches d'eau.
6. Si nécessaire, sécher le gril après s'en être servi avec un chiffon ou serviette doux sec.

Si les consignes qui précèdent sont respectées, ce gril Hestan devrait offrir une excellente durée de service et ne pas faillir à sa réputation d'être « inoxydable ». Les négliger peut toutefois conduire à une détérioration de la surface et, dans des cas extrêmes, à une corrosion de l'acier lui-même. Les deux types les plus courants de corrosion qui peuvent se rencontrer, sur l'acier inoxydable en particulier, sont les marques de rouille et les piqûres en surface.

MARQUES DE ROUILLE BRUNE

Ces marques de rouille sont vraisemblablement le résultat de l'adhésion de petites particules d'acier ordinaire à la surface, qui ont fini par rouiller en milieu humide. La source la plus courante de telles particules est les tampons à récurer métalliques mais la contamination peut également provenir d'ustensiles en acier au carbone et de vieilles canalisations d'eau en fonte. Ces marques brunes ne sont que des taches superficielles, qui seront inoffensives pour le gril. Elles doivent pouvoir être enlevées en appliquant une crème nettoyante non abrasive à usages multiples avec un chiffon doux humide. Il peut parfois s'avérer nécessaire de recourir à un nettoyeur spécial pour acier inoxydable pour redonner à la surface du gril l'éclat du neuf. Pour éviter que des taches de rouille ne réapparaissent, il est essentiel d'éliminer la source de la contamination. L'utilisation d'une housse de gril Hestan contribuera grandement à empêcher ce genre de contamination.

PIQÛRES DE CORROSION

Une forme plus grave de corrosion est la formation de piqûres en surface. Cette corrosion peut généralement être attribuée à certains produits ménagers tels que l'eau de javel, les produits d'entretien contenant de l'eau de javel (hypochlorite de sodium) et le chlore de piscine. Si les piqûres apparaissent sur la surface d'acier inoxydable, on peut essayer de la polir à l'aide de tampons abrasifs pour acier inoxydable mais, dans la plupart des cas, les piqûres en surface ne peuvent être éliminées.

PRODUITS ALIMENTAIRES

L'acier inoxydable résiste en général parfaitement à tous les produits alimentaire d'usage courant. Ce n'est que dans des cas isolés, quand par exemple on laisse des mélanges concentrés de sel et de vinaigre au contact de l'acier pendant des périodes prolongées, que des marques peuvent apparaître en surface. Nettoyer la surface conformément aux instructions données plus haut.

ENTRETIEN DES SURFACES PEINTES (LE CAS ÉCHÉANT)

Les grils Hestan sont disponibles en standard en acier inoxydable ou offrent également 11 couleurs au choix. Les peintures en poudre résistantes appliquées sur ces panneaux sont communément utilisées sur les pièces automobiles, ainsi que sur les appareils électroménagers à usage commercial et résidentiel à cause de leur excellente résistance à l'écaillage et à divers produits chimiques. Le fini devrait bien résister à l'extérieur dans la plupart des situations. Toutefois, comme pour toute surface peinte, le nettoyage de ce fini doit être effectué avec un soin particulier.



NETTOYAGE ET ENTRETIEN (suite)

Pour nettoyer la surface à revêtement de peinture en poudre :

1. Éliminer avec précaution tous les dépôts avec une éponge humide.
2. Utiliser une brosse (non abrasive) ou un chiffon doux et une solution de détergent ménager doux pour enlever la poussière, le sel et les autres dépôts. Ne jamais utiliser de nettoyeurs à base de solvants, nettoyeurs pour acier inoxydable, dégraissants puissants, produits à nettoyer les fours, etc. sur les surfaces peintes, car ils peuvent endommager la peinture de façon irréparable.
3. Rincer à l'eau douce propre et sécher avec un chiffon propre.

ENTRETIEN DES ÉLÉMENTS DU GRIL

GRILLES DE CUISSON ET DE MAINTIEN AU CHAUD

Le moyen le plus facile de nettoyer les grilles de cuisson est de le faire dès la cuisson terminée après avoir éteint les brûleurs. Porter un gant de cuisine pour protéger sa main de la chaleur et de la vapeur. Tremper une brosse à poils de laiton pour nettoyage de grill dans de l'eau savonneuse chaude et frotter les grilles de cuisson chaudes. Plonger fréquemment la brosse dans l'eau. La vapeur produite lorsque l'eau touche les grilles chaudes facilite le nettoyage en ramollissant toute particule d'aliment. Les particules d'aliments tomberont au travers des grilles et brûleront. Le nettoyage sera plus difficile si on laisse d'abord le grill refroidir.

BAC DE RÉCUPÉRATION

Nettoyer le bac de récupération après chaque utilisation du grill. Laisser un bac de récupération sale en place attirera les insectes et les rongeurs. Après avoir laissé le grill refroidir complètement, enlever le bac de récupération en le tirant hors du grill. Remettre le bac en place une fois qu'il est nettoyé.

BRÛLEURS DU GRIL

Les plateaux radiants à briquettes devraient protéger complètement les Trellis Burners™. Il peut toutefois s'avérer nécessaire de nettoyer les brûleurs ou la cuve en dessous de ceux-ci. Avant de les déposer, s'assurer que l'arrivée de gaz est COUPÉE et que les boutons de réglage sont en position OFF. Laisser le grill refroidir complètement puis soulever les grilles de cuisson et les plateaux radiants pour les retirer. Pour déposer les brûleurs, soulever leur partie arrière pour les faire sortir légèrement de leur attache de suspension puis faire pivoter les brûleurs légèrement vers la gauche pour les dégager des couvercles d'allumeurs sur le devant de la cuve et déplacer enfin les brûleurs vers l'arrière de la cuve jusqu'à ce qu'ils soient libérés. Les brûleurs sont fabriqués en acier inoxydable série 300 de haute qualité qui peut être nettoyé avec une brosse à poils en laiton et de l'eau savonneuse chaude. Ne pas nettoyer les orifices de combustion avec un cure-dent ou un autre objet susceptible de se casser à l'intérieur d'un orifice. Se servir d'un trombone ou d'une aiguille pour le faire. La calamine tenace peut être enlevée à l'aide d'un couteau racléur. Veiller à bien tout rincer et secouer pour expulser l'eau et les débris prisonniers à l'intérieur des tubes de brûleurs.

Il convient d'être très prudent lors de la remise en place des brûleurs. Ils doivent être bien centrés et assujettis sur leur orifice calibré avant toute tentative de rallumage du grill. L'attache arrière des brûleurs doit reposer à plat et ne pas se déplacer d'un côté à l'autre. Pour plus de détails sur la mise en place correcte des brûleurs, voir la section IMPLANTATION ET ASSEMBLAGE de ce manuel.

NETTOYAGE DU BRÛLEUR DE TOURNEBROCHE

À cause de la position haute du brûleur de tournebroche, il ne devrait pas être nécessaire de le nettoyer, sauf si des débris alimentaires ou des jus ont été pulvérisés sur les carreaux. Si cela se produit, après avoir retiré la viande et la broche, rallumer le brûleur pour 5 autres minutes pour lui permettre de vaporiser tout résidu. Ne pas essayer de nettoyer les orifices des carreaux avec un cure-dent ou un autre objet susceptible de se casser à l'intérieur d'un orifice. Si nécessaire, il est également possible d'attendre que le brûleur ait refroidi complètement et de brosser la surface des carreaux pour enlever toute cendre accumulée.

AVIS : éviter de faire couler de l'eau sur le brûleur de tournebroche car cela risquerait d'endommager les plaques de brûleur en céramique. Les dégâts causés par l'eau au brûleur de tournebroche ne sont pas couverts par la garantie.

NETTOYAGE DES BRÛLEUR DE SAISIE

Lorsqu'ils sont utilisés correctement, il ne devrait pas être nécessaire de nettoyer les brûleurs de saisie à infrarouge Hestan. Le couvercle et les carreaux chauds vaporisent tout ce qui tombe dessus.

NETTOYAGE ET ENTRETIEN (suite)



Si toutefois des débris alimentaires ou jus de cuisson devaient tomber sur un brûleur de saisie inutilisé (éteint), il est possible d'enlever le couvercle métallique et de frotter celui-ci ainsi que les carreaux avec une brosse dure. Veiller à ne le faire que quand l'appareil a complètement refroidi. NE PAS se servir d'un couteau racleur sur les carreaux ni exercer une forte pression sur ceux-ci, car ils risqueraient de se fêler. À défaut, il est possible d'allumer le brûleur de saisie pour tout brûler.

AVIS : éviter de faire couler de l'eau dans le brûleur de saisie car elle pourrait remplir l'intérieur du boîtier du brûleur et l'empêcher de fonctionner correctement. Une pénétration d'eau pourrait également endommager les carreaux céramiques. Les dégâts causés par l'eau au brûleur de saisie ne sont pas couverts par la garantie.

FR

NETTOYAGE DES ORIFICES CALIBRÉS

Il est nécessaire de commencer par déposer le brûleur. Il peut également être utile de déposer le panneau de commande pour examiner de plus près l'orifice calibré (voir Fig. 9). Prendre note du serrage de l'orifice calibré sur le robinet. Après avoir déposé le brûleur, retirer l'orifice calibré du robinet et diriger une lampe au travers de l'ouverture pour s'assurer qu'il n'y a aucune obstruction. Se servir d'une aiguille à coudre pour enlever tout débris. Faire très attention de ne pas agrandir le trou ou de ne pas casser l'aiguille. Une fois qu'il est propre, veiller à visser soigneusement l'orifice calibré sur le robinet avec les doigts puis se servir d'une clé à molette ou à douille profonde pour bien le serrer dans sa position initiale. Remettre le brûleur en place comme décrit précédemment.

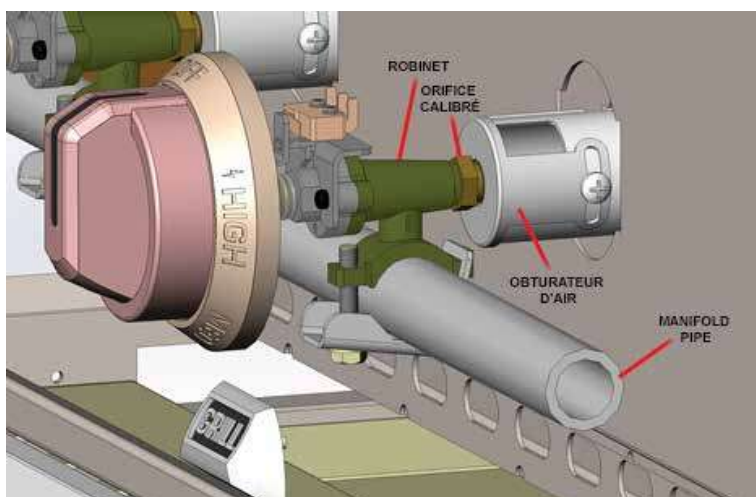


Figure 9

ALLUMEURS

Les allumeurs à incandescence de ce gril Hestan n'exigent aucun entretien et sont bien protégés des débris qui tombent dessus. Les allumeurs à étincelles de brûleur latéral sont partiellement découverts et peuvent être contaminés en cas de débordement par bouillonnement lors de l'utilisation de ce brûleur. Il est possible de les nettoyer délicatement avec de l'eau savonneuse et une brosse à dents. Les essuyer avec un chiffon propre.

REMARQUE : une manipulation brutale de l'allumeur peut entraîner une fêlure du corps céramique l'empêchant de fonctionner. Le manipuler avec précaution.

NETTOYAGE DES BRIQUETTES ET DES PLATEAUX

Après avoir laissé le gril refroidir complètement, retourner le plateau radiant et faire fonctionner à haute température pendant 30 minutes. Les plateaux sont « à double face » et peuvent être laissés dans cette position pour brûler les débris alimentaires ou la graisse incrustés. Il est possible de nettoyer de temps en temps les plateaux avec de l'eau et du savon doux en frottant avec une brosse à poils en plastique. Les laisser refroidir complètement. Ne jamais manipuler des plateaux très chauds. Remettre les plateaux à briquettes en place, en veillant à ce qu'ils soient de niveau et n'oscillent pas. Allumer tous les brûleurs et vérifier que les flammes présentent les caractéristiques correctes.

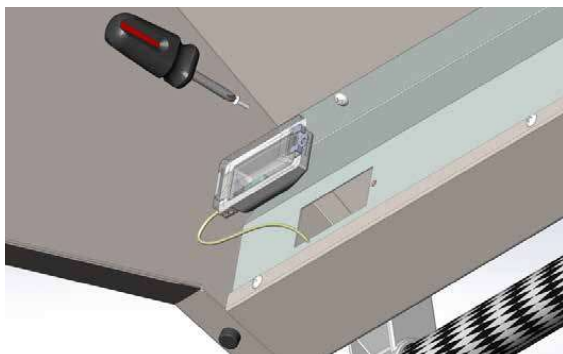


Figure 10

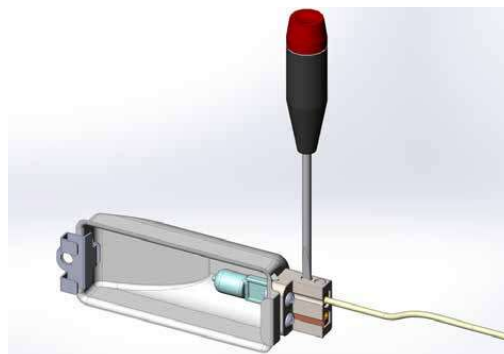


Figure 11

REPLACEMENT DES AMPOULES

1. Débrancher le grill avant de procéder à tout entretien ou remplacement d'ampoule. Veiller à ce que le grill et l'éclairage aient complètement refroidi. L'éclairage halogène devient très chaud.
2. Ouvrir le couvercle et retirer la petite vis maintenant l'éclairage en place (Fig. 10). Déposer l'éclairage en faisant attention de ne pas faire tomber le verre.
3. Si nécessaire, se servir d'un petit tournevis plat pour enlever le verre en faisant levier avec précaution et mettre celui-ci de côté. Desserrer les 2 vis les plus proches du boîtier d'éclairage (Fig. 11). Ces vis maintiennent l'ampoule en place. L'ampoule devrait s'enlever facilement.
4. Avant de la mettre en place, il est très important de nettoyer l'ampoule neuve avec un chiffon doux propre ou du papier de soie. La graisse, les empreintes digitales ou les sécrétions cutanées peuvent laisser un résidu sur la surface en verre de l'ampoule, ce qui créera un point chaud. L'ampoule finira par se fêler à ce point chaud.
5. Tout en continuant à se servir d'un chiffon ou de papier de soie, mettre l'ampoule neuve en place dans le boîtier et serrer les vis. Vérifier que les autres petites vis sont serrées elles aussi.
6. Remettre le verre en place et remonter l'éclairage sur le couvercle. Poser soigneusement la vis fixant l'éclairage au couvercle.

AUTRES CONSIDÉRATIONS

Toujours maintenir les alentours du grill libres d'obstructions et de débris. Maintenir un espace d'au moins 12 po (30 cm) autour du grill pour garantir une bonne circulation d'air et maintenir toutes les ouïes d'aération dégagées et libres de débris. Nettoyer l'appareil après chaque utilisation et rechercher toute obstruction, en particulier des orifices calibrés de brûleurs, après des périodes prolongées d'inutilisation. Pour que ce grill Hestan conserve son aspect pendant de nombreuses années, le laisser couvert lorsqu'il n'est pas en service. Les environnements de jardin sont agressifs pour le fini de ce grill. Une exposition prolongée au soleil, à l'eau, aux produits chimiques de jardin et aux éléments pourrait altérer l'aspect de l'acier inoxydable. Cela est particulièrement évident en bord de mer.

Les matériaux utilisés pour nos appareils ont été testés dans des solutions salines présentant une salinité supérieure à celle de l'eau de mer. Ils ont été également testés par une exposition à des aliments très acides. Pendant et après ces tests, nous nous sommes aperçus que ces matériaux pouvaient résister à une telle exposition pendant des périodes prolongées. Les substances corrosives susmentionnées, ainsi que la négligence, peuvent toutefois conduire à une situation dans laquelle ces conditions pourraient se combiner pour causer certains dégâts. Nous recommandons par conséquent de toujours veiller à ce que ce grill reste propre, sec et couvert quand il n'est pas en service. Cela est encore plus important lorsqu'un remisage à long terme est nécessaire. Toujours remiser le grill propre, sec et couvert d'une housse de grill Hestan. Un grill sale attire les insectes et les rongeurs, ce qui n'est pas hygiénique du tout. Les rongeurs sont en outre connus pour mordre l'isolant des fils, ce qui endommagera définitivement les fils et peut-être les composants électriques.

Dans les régions désertiques, le sable chassé par le vent est extrêmement abrasif et une exposition constante à celui-ci finira par piquer et rayer la surface, ce qui est une autre raison de laisser ce grill couvert quand il n'est pas en service.



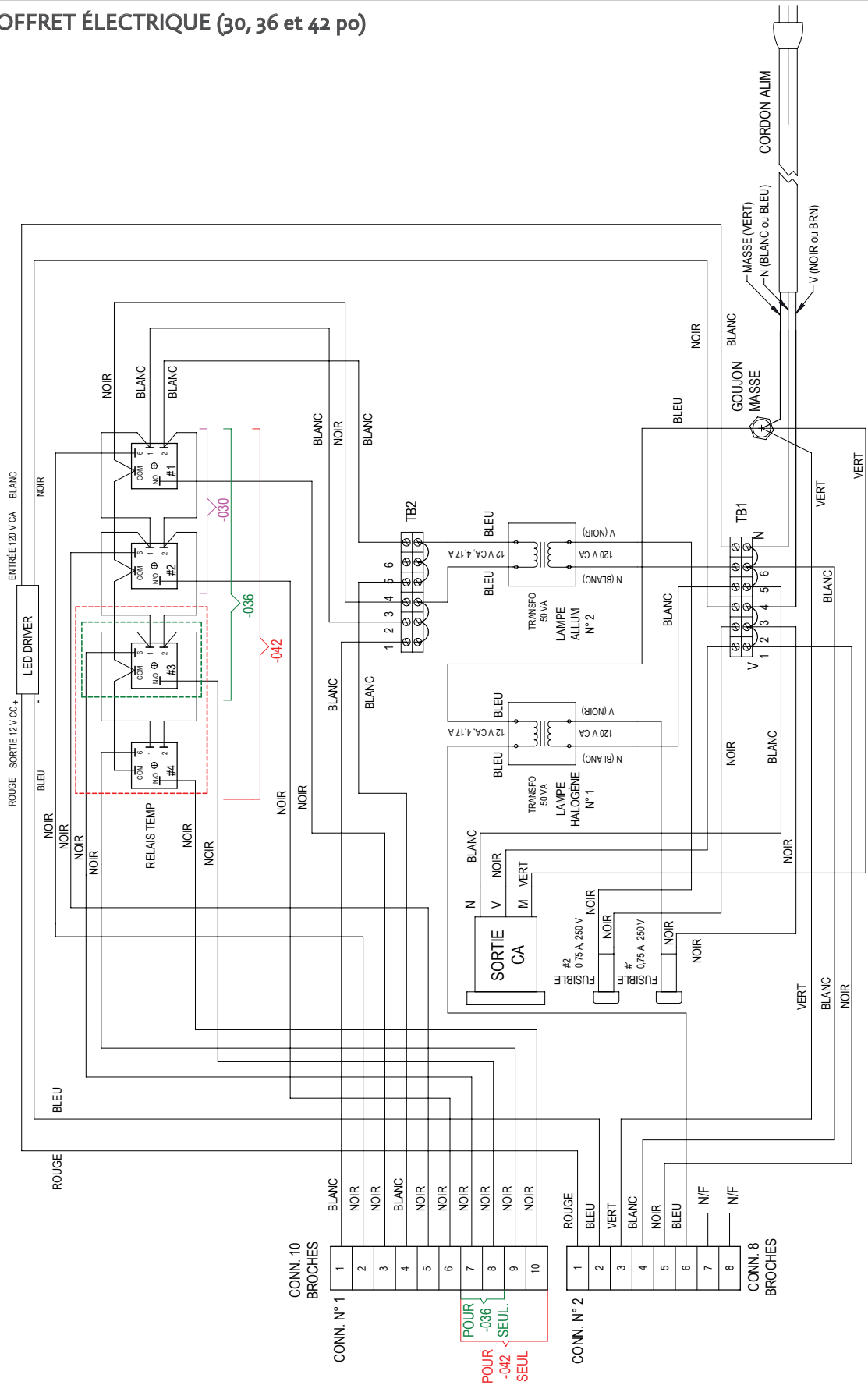
Symptôme	Contrôle
Le brûleur ne s'allume pas	Alimentation en gaz coupée / robinet d'arrêt fermé Bouteille de GPL vide Cordon d'alimentation débranché, prise hors tension ou fusible grillé Pression d'alimentation en gaz de l'appareil trop basse Les orifices de combustion proches de l'allumeur sont obstrués ou encrassés Le brûleur n'est pas bien placé sur l'orifice calibré Robinet de brûleur défectueux ou bouché Orifice calibré incorrect ou bouché Allumeur défectueux (pas d'incandescence) Détendeur défectueux ou mal posé
Le brûleur ne reste pas allumé	Orifices du brûleur obstrués ou encrassés Évent du détendeur bouché ou détendeur mal posé Conditions venteuses Pression de gaz trop basse
Chauffe lente	Pression de gaz trop basse ou bas niveau dans la bouteille de GPL Des orifices de combustion sont obstrués ou encrassés Robinet de brûleur défectueux ou bouché Orifice calibré incorrect ou bouché
Odeur de gaz	Un brûleur s'est éteint ou ne s'est pas allumé Conduite de gaz desserrée ou rompue Rupture du détendeur Le brûleur n'est pas bien placé sur l'orifice calibré Mauvaise combustion, mélange air-combustible mal réglé Orifices de brûleur obstrués/encrassés
Le brûleur fonctionne mal / flamme faible ou jaune	Les orifices de combustion sont obstrués ou encrassés ; rechercher la présence de toiles d'araignées Mauvaise combustion, mélange air-combustible mal réglé Pression de gaz incorrecte / détendeur incorrect Orifice calibré d'une taille incorrecte pour le type de gaz
Le tournebroche ne s'allume pas ou ne reste pas allumé	Le bouton de réglage n'est pas maintenu enfoncé assez longtemps Conditions venteuses Allumeur défectueux (pas d'incandescence) Cordon d'alimentation débranché ou prise hors tension
L'éclairage intérieur halogène ne fonctionne pas	Cordon d'alimentation débranché ou prise hors tension Rechercher toute ampoule grillée
Les témoins LED du panneau de commande ne fonctionnent pas	Cordon d'alimentation débranché ou prise hors tension Vérifier les fusibles sur le coffret électrique.
Le moteur du tournebroche ne marche pas	Cordon d'alimentation débranché ou prise hors tension Obstruction ou rupture du mécanisme de transmission par chaîne – le faire réparer
Le brûleur latéral ne s'allume pas	Voir « Le brûleur ne s'allume pas » plus haut
Émission intempestive d'un déclic par le brûleur latéral	Conditions venteuses Flamme trop basse Débris alimentaires sur l'électrode



SCHÉMAS DE CÂBLAGE

COFFRET ÉLECTRIQUE (30, 36 et 42 po)

FR

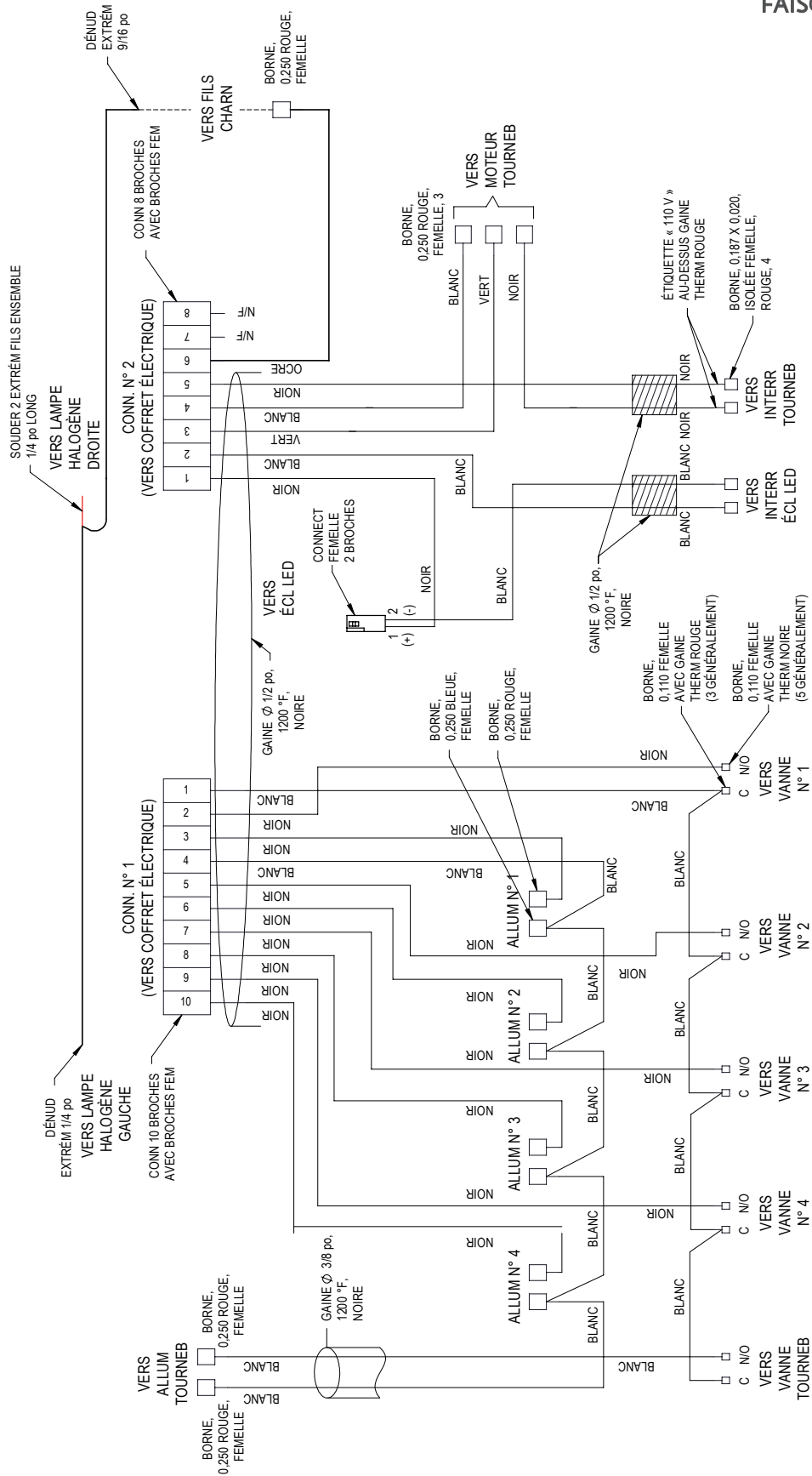


SCHÉMAS DE CÂBLAGE (suite)



FAISCEAU 42 po

FR





LISTE DES PIÈCES

Visiter le site Web Hestan pour consulter la liste des pièces de ce produit de plein air Hestan : www.hestanoutdoor.com.



SERVICE

Toutes les réparations dans le cadre ou en dehors de la garantie doivent être effectuées par du personnel d'entretien qualifié. Pour localiser un réparateur agréé dans la région, s'adresser au concessionnaire Hestan, au représentant local ou à l'usine. Avant d'appeler, veiller à avoir les numéros de modèle et de série à portée de la main. Ces informations figurent sur la plaque signalétique fixée au dessous du bac de récupération de l'appareil.

Hestan Commercial Products
3375 E. La Palma Avenue
Anaheim, CA 92806
(888) 905-7463



GARANTIE LIMITÉE

ÉLÉMENTS COUVERTS PAR LA PRÉSENTE GARANTIE LIMITÉE

Hestan Commercial Corporation (« HCC ») garantit à l'acheteur initial d'un appareil à gaz de plein air Hestan (le « Produit ») chez un revendeur agréé HCC que le Produit ne présente aucun vice de matière ni de fabrication pendant une période d'un (1) an à compter de la date de l'achat initial au détail ou de la date de clôture en cas de construction neuve, suivant la période la plus longue (« Période de garantie limitée »). HCC accepte de réparer ou de remplacer, à sa seule discrétion, tout composant ou pièce du Produit dont la défaillance est due à des vices de matières ou de fabrication pendant la Période de garantie limitée. La présente Garantie limitée n'est pas transférable et n'est offerte à personne d'autre que l'acheteur initial au détail (« Acheteur »). La présente garantie limitée n'est valable que pour les Produits achetés chez et reçus d'un revendeur agréé HCC dans tous les Etats-Unis, dans le District de Columbia et au Canada. La présente Garantie limitée ne s'applique qu'aux Produits pour usage non commercial, à l'exclusion de ceux utilisés à des fins commerciales.

MARCHE À SUIVRE POUR UNE RÉPARATION AU TITRE DE LA GARANTIE

En cas de défaillance du Produit pendant la Période de garantie limitée pour des raisons couvertes par la présente Garantie limitée, l'Acheteur doit contacter immédiatement le revendeur auquel il a acheté le Produit ou HCC au 888.905.7463.

Il incombe à l'Acheteur de rendre le Produit raisonnablement accessible pour réparation ou de régler les frais de mise à disposition raisonnable du Produit pour réparation. La réparation sera effectuée pendant les heures d'ouverture normales du Centre de réparation agréé par Hestan. Dans la mesure où l'Acheteur demande une réparation en dehors des heures d'ouverture normales du Centre de réparation agréé par Hestan, l'Acheteur règlera la différence entre le tarif normal et celui des heures supplémentaires ou des primes. L'Acheteur doit régler tous les frais de déplacement si celui-ci dépasse 80 km [50 miles] (dans un sens) par rapport au Centre de réparation le plus proche agréé par Hestan.

GARANTIE LIMITÉE (suite)



ALLONGEMENTS AU-DELÀ DE LA PÉRIODE DE GARANTIE LIMITÉE D'UN AN:

En plus de la Garantie limitée d'un an, les composants qui suivent bénéficient d'un prolongement de la garantie comme indiqué expressément ci-après :

1. Le corps de gril en acier inoxydable, les grilles de cuisson et celle de maintien au chaud DiamondCut, les brûleurs Trellis Burner en acier inoxydable de gril, les brûleurs de saisie et le brûleur à infrarouge de tournebroche (le cas échéant) du Produit sont garantis exempts de vices de matières et de fabrication dans des conditions normales d'utilisation non commerciale et de réparation. Cela exclut la corrosion, la rayure et la décoloration superficielles susceptibles de se produire pendant une utilisation normale et se limite au remplacement de la ou des pièces défectueuses, tous les autres frais, y compris ceux de main d'œuvre, de transport et de manutention le cas échéant, étant à la charge de l'Acheteur.
2. La broche, les plateaux à briquettes, les collecteurs, les robinets de gaz et les brûleurs scellés (le cas échéant) du Produit sont garantis exempts de vices de matières et de fabrication dans des conditions normales d'utilisation non commerciale et de réparation pendant une période de cinq (5) ans à compter de la date de l'achat initial. Cela se limite au remplacement des pièces défectueuses, tous les autres frais, y compris ceux de main d'œuvre, de transport et de manutention le cas échéant, étant à la charge de l'Acheteur.

ÉLÉMENTS NON COUVERTS PAR LA PRÉSENTE GARANTIE LIMITÉE

La présente Garantie limitée ne couvre pas ce qui suit, excluant toute responsabilité financière de HCC : tous dommages ou vices affectant tout Produit non acheté chez un revendeur agréé HCC ; variations de coloris dans la finition ou autres dommages esthétiques ; panne ou dommages dus à une utilisation abusive ou erronée, un accident, un incendie, une catastrophe naturelle, un usage commercial du Produit, une interruption de l'alimentation électrique ou en gaz du Produit ; dommages résultant d'une modification, d'une installation ou utilisation incorrecte du Produit ; dommages résultant de la réparation ou du remplacement incorrect ou sans autorisation de tout composant ou pièce du Produit ; dommages résultant d'un service après vente assuré par quiconque autre qu'un agent ou représentant agréé du réseau commercial de Hestan ; usure normale et détérioration ; dommages résultant de l'exposition du Produit à une atmosphère corrosive contenant du chlore, du fluor ou toute autre substance chimique nuisible ; dommages résultant de l'absence d'un entretien normal du Produit ; dommages dont HCC n'a pas été avisé ou qui se sont produits après expiration de la Période de garantie limitée ; dommages accessoires et indirects causés par tout vice de matière ou de fabrication.

ARBITRAGE :

La présente Garantie limitée est régie par la Loi fédérale sur l'arbitrage. Tout litige opposant l'Acheteur à HCC et relatif au Produit ou à la présente Garantie limitée doit être résolu par voie d'arbitrage exécutoire exclusivement sur une base individuelle avec l'Acheteur. L'arbitrage sera effectué par l'Association américaine d'arbitrage (American Arbitration Association, « AAA ») conformément à ses règles d'arbitrage pour la protection du consommateur ou par JAMS. L'audience d'arbitrage se tiendra devant un arbitre nommé par l'AAA ou par JAMS. L'arbitre ne devra procéder à aucun arbitrage collectif et l'Acheteur devra renoncer à tout recours contre HCC en qualité de représentant de tiers.

LIMITATION DE RESPONSABILITÉ :

La présente Garantie limitée constitue l'accord définitif, intégral et exclusif entre HCC et l'Acheteur eu égard au Produit.

IL N'EXISTE AUCUNE GARANTIE EXPRESSE AUTRE QUE CELLES ÉNUMÉRÉES ET DÉCRITES PLUS HAUT. AUCUNE GARANTIE EXPRESSE OU IMPLICITE, Y COMPRIS SANS S'Y LIMITER, TOUTE GARANTIE IMPLICITE DE QUALITÉ MARCHANDE OU D'ADAPTATION À UN USAGE PARTICULIER NE S'APPLIQUERA APRÈS L'EXPIRATION DE LA PÉRIODE DE GARANTIE LIMITÉE INDIQUÉE PLUS HAUT. AUCUNE GARANTIE EXPRESSE APPLICABLE À CE PRODUIT OFFERTE PAR UNE PERSONNE OU ENTREPRISE QUELCONQUE N'ENGAGERA HCC. HCC NE GARANTIT EN AUCUNE FAÇON L'ADAPTATION DU PRODUIT À UN USAGE PARTICULIER, SAUF DISPOSITION CONTRAIRE DE LA LÉGISLATION APPLICABLE.

HCC N'ASSUME AUCUNE RESPONSABILITÉ POUR TOUT MANQUE À GAGNER, IMPOSSIBILITÉ DE RÉALISER DES ÉCONOMIES OU AUTRES AVANTAGES NI POUR TOUT AUTRE DOMMAGE



GARANTIE LIMITÉE (suite)

PARTICULIER, DIRECT OU INDIRECT CAUSÉ PAR L'UTILISATION, L'USAGE ABUSIF OU L'INCAPACITÉ D'UTILISER CE PRODUIT, QUELLE QUE SOIT LA THÉORIE JURIDIQUE SUR LAQUELLE LA DEMANDE SE FONDE, MÊME SI HCC EST INFORMÉ DE LA POSSIBILITÉ DE TELS DOMMAGES. AUCUN RECOUVREMENT À L'ENCONTRE DE HCC NE SERA SUPÉRIEUR AU PRIX D'ACHAT DU PRODUIT.

SANS LIMITER LA PORTÉE DE CE QUI PRÉCÈDE, VOUS ASSUMEZ TOUS LES RISQUES ET LA RESPONSABILITÉ DES PERTES, DOMMAGES OU BLESSURES ET DÉGÂTS MATÉRIELS SUBIS PAR VOUS-MÊMES ET DES TIERS RÉSULTANT DE L'UTILISATION, DE L'USAGE ABUSIF OU DE L'INCAPACITÉ D'UTILISER CE PRODUIT, QUI NE SONT PAS CAUSÉS DIRECTEMENT PAR LA NÉGLIGENCE DE HCC. LA PRÉSENTE GARANTIE LIMITÉE FORMULE VOTRE RECOURS EXCLUSIF.

Aucune déclaration ni aucun engagement verbal ou écrit de la part de qui que ce soit, y compris sans s'y limiter un employé, représentant ou agent de HCC, ne créera une garantie ni élargira en quoi que ce soit la portée de la présente Garantie limitée expresse d'un an. En cas de divergence entre la présente garantie limitée et tout autre accord ou déclaration lié ou relatif au Produit, ce sera cette Garantie qui s'applique. Si une disposition quelconque de la présente Garantie limitée est déclarée invalide ou inapplicable, elle sera réputée modifiée dans la limite nécessaire pour la rendre applicable et le reste de la Garantie limitée restera valide et applicable selon ses modalités.

INTERACTION ENTRE CERTAINES LOIS ET LA PRÉSENTE GARANTIE LIMITÉE :

Il se peut que certains États, Provinces et Territoires n'autorisent pas la limitation de durée d'une garantie implicite ni l'exclusion ou la restriction des dommages directs ou indirects. Les limitations ou exclusions qui précèdent peuvent par conséquent ne pas être applicables. Il se peut que certains États, Provinces ou Territoires prévoient d'autres droits et recours en matière de garantie. Les dispositions de la présente Garantie limitée n'ont pas pour but de limiter, modifier, restreindre, nier ni exclure les conditions obligatoires de garantie prévues par des États, Provinces ou Territoires, y compris certaines garanties implicites. La présente garantie confère des droits précis, auxquels peuvent s'en ajouter d'autres qui varient selon le lieu.

Toute question relative à la présente Garantie limitée peut être adressée à
Hestan Commercial Products au (888) 905-7463



**NOUS NE CESSERONS JAMAIS
DE RECHERCHER DE NOUVELLES
FAÇONS D'EXPRIMER NOTRE
CÉLÉBRATION DE L'EXCELLENCE
CULINAIRE.**

RETAIN THIS MANUAL FOR FUTURE REFERENCE



Hestan Commercial Corporation

3375 E. La Palma Ave
Anaheim, CA 92806
(888) 905-7463

©2016 Hestan Commercial Corporation P/N 008980 REV 00