

OWNER'S MANUAL

28" GRIDDLE WITH HARD COVER

TABLE OF CONTENTS

| | |
|------------------------------------|----|
| IMPORTANT SAFETY INFORMATION | 02 |
| ASSEMBLY GUIDE | 04 |
| OPERATION INSTRUCTIONS | 09 |
| TROUBLESHOOTING | 15 |
| CUSTOMER SUPPORT | 16 |

IMPORTANT:

This instruction manual contains important information necessary for the proper assembly and safe use of the appliance.

Read and follow all warnings and instructions before assembling and using the appliance.

Follow all warnings and instructions when using the appliance.

Keep this manual for future reference.

Installer/Assembler: Leave these instructions with the consumer.



Latest version of the manual:
BlackstoneProducts.com/support

SAFETY ALERT KEY

⚠ DANGER

Indicates a hazardous situation that, if not avoided, will result in death or serious injury.

⚠ WARNING

Indicates a hazardous situation that, if not avoided, could result in death or serious injury.

⚠ CAUTION

Indicates a hazardous situation that, if not avoided, could result in minor or moderate injury.

NOTICE

Indicates information considered important, but not hazard-related (e.g. messages related to property damage).



IMPORTANT SAFETY INFORMATION

GAS APPLIANCE SAFETY

⚠ DANGER

If you smell gas:

- Shut off gas to the appliance.
- Extinguish any open flame.
- Open hood (if applicable).
- If odor continues, keep away from the appliance and immediately call your gas supplier or your fire department.

Failure to follow these instructions could result in fire or property damage, personal injury or death.

⚠ WARNING

- **DO NOT store or use gasoline or other flammable liquids or vapors in the vicinity of this or any other appliance.**
- **An LPG cylinder not connected for use shall not be stored in the vicinity of this or any other appliance.**

INSTALLATION MUST CONFORM WITH LOCAL CODES.

In the absence of local codes, installation must conform with either ANSI Z223.1/NFPA 54, CSA B149.1, or CSA B149.2.

⚠ DANGER

- **NEVER operate this appliance unattended.**
- **If a fire should occur, keep away from the appliance and immediately call your fire department. DO NOT attempt to extinguish an oil or a grease fire with water.**

Failure to follow these instructions could result in fire or property damage, personal injury or death.

⚠ DANGER



CARBON MONOXIDE HAZARD

This appliance can produce carbon monoxide which is poisonous and has no odor. Using it in an enclosed space can kill you.

NEVER use this appliance in an enclosed space such as a camper, tent, car or home.

⚠ DANGER

Flammable items can combust if placed near the appliance. Keep the appliance area clear and free from combustible materials, aerosol containers, gasoline and other flammable vapors and liquids.

⚠ WARNING

Improper installation, use, adjustment, alteration, service, modification, or maintenance can cause property damage, serious injury, or death. Refer to this manual.

- The use of alcohol, prescription, or non-prescription drugs may impair the consumer's ability to properly assemble or safely operate the appliance.
- Keep children and pets away from the appliance at all times.
- Have a type BC or ABC fire extinguisher readily available.
- DO NOT use for purposes other than intended.
- For outdoor domestic use only, not for commercial use.
- DO NOT use this appliance as a heater.



SETTING UP YOUR OUTDOOR SPACE

THIS APPLIANCE MUST ONLY BE USED OUTDOORS ON A LEVEL SURFACE.

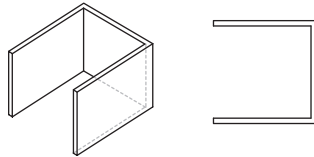
- DO NOT use this appliance inside buildings, garages, or any other enclosed area.
- DO NOT install this appliance in or on a boat.
- DO NOT install this appliance in or on a recreational vehicle.

SHELTERED OUTDOOR AREAS:

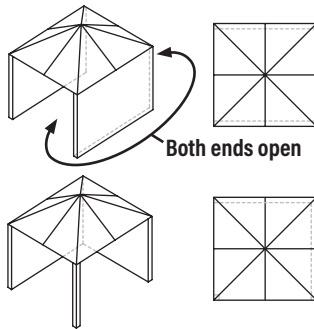
All openings must be permanently open; sliding doors, garage doors, windows or screened openings are not considered as permanent openings.

An appliance is considered to be outdoors if installed with shelter no more inclusive than:

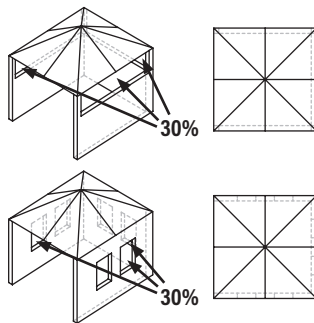
- a. With walls on three sides, but with no overhead cover.



- b. Within a partial enclosure that includes an overhead cover and no more than two side-walls. The sidewalls may be parallel, as in a breezeway, or at right angles to each other.



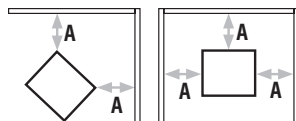
- c. Within a partial enclosure that includes an overhead cover and three sidewalls, as long as 30% or more of the horizontal periphery of the enclosure is permanently open.



The minimum ambient operating temperature is 0°F (-18°C).

MAINTAIN PROPER CLEARANCES FROM COMBUSTIBLE MATERIAL.

- DO NOT use this appliance on or under any apartment or condominium balcony or deck.
- DO NOT obstruct the flow of combustion and ventilation air.



DO NOT operate this appliance any closer than 36 in (1 m) from the sides and back of the appliance to combustible construction.

A = 36 in (1 m)

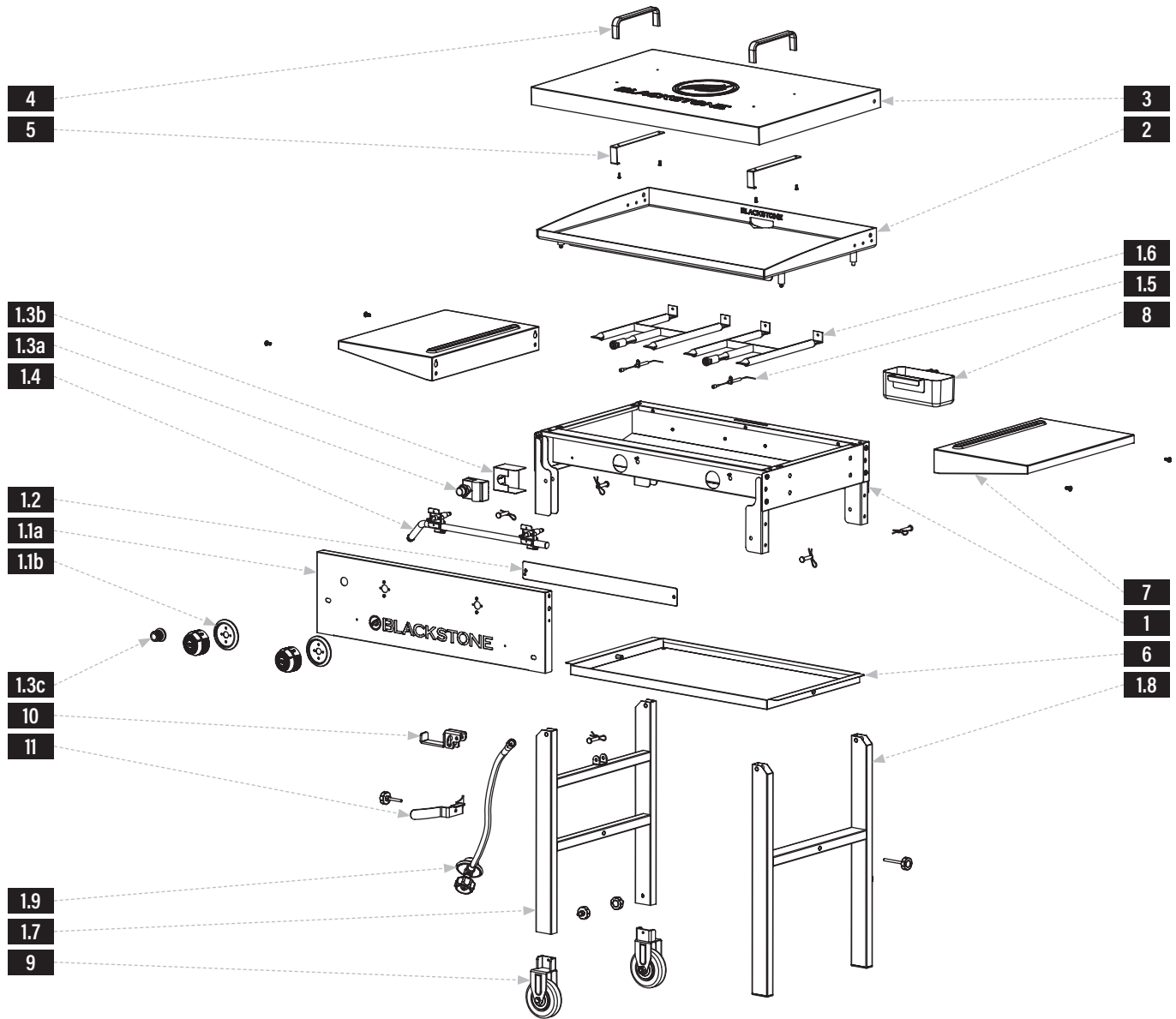
- DO NOT use this appliance under overhead combustible construction.



ASSEMBLY GUIDE

EXPLODED VIEW

ENGLISH

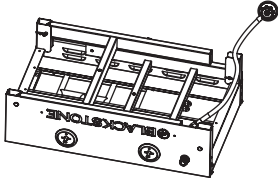
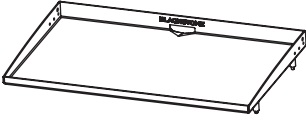

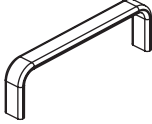
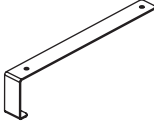

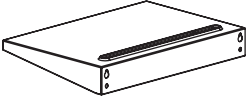
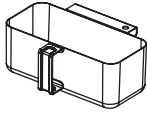
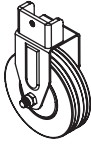
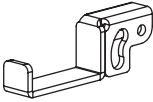
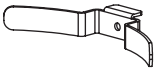


PARTS LIST

| PARTS | QTY | PARTS | QTY | PARTS | QTY | PARTS | QTY |
|---------------------------------|-----|----------------------------------|-----|-----------------------------|-----|-------------------------------|-----|
| 1.1a Control panel | 1 | 1.3a Ignitor | 1 | 1.4 Gas rail | 1 | 1.7 Left leg assembly | 1 |
| 1.1b Control knob bezels | 2 | 1.3b Ignition heat shield | 1 | 1.5 Ignition needles | 2 | 1.8 Right leg assembly | 1 |
| 1.2 Background panel | 1 | 1.3c Ignitor button | 1 | 1.6 H Burners | 2 | 1.9 Regulator | 1 |

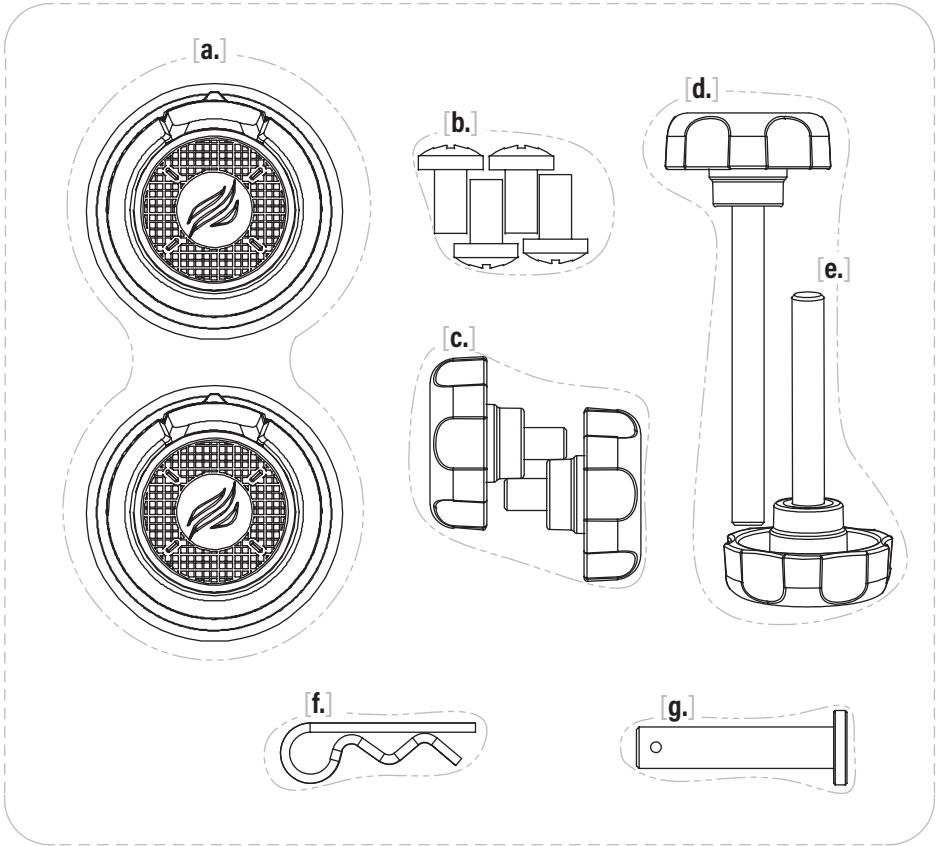




| | | | | |
|---|---|---|---|--|
| <p>1 Body (1 piece)</p>  | <p>2 Griddle top (1 piece)</p>  | <p>3 Hard cover (1 piece)</p>  | | |
| <p>4 Hard cover handles (2 pieces)</p>  | <p>5 Hard cover hooks (2 pieces)</p>  | <p>6 Stabilizing shelf (1 piece)</p>  | | |
| <p>7 Side shelves (2 pieces)</p>  | <p>8 Grease cup (1 piece)</p>  | <p>9 Wheels (2 pieces)</p>  | <p>10 LPG hook (1 piece)</p>  | <p>11 LPG support (1 piece)</p>  |

12 Hardware pack (1 piece)

- a. Control knobs (2 pieces)
- b. M6x12 screws (4 pieces)
- c. Small thumb screws (2 pieces)
- d. Large thumb screw (1 piece)
- e. Medium thumb screw (1 piece)
- f. Cotter pin (1 piece)
- g. Shear pin (1 piece)




ASSEMBLY INSTRUCTIONS

Find a large, clean area to assemble your appliance.

Remove all packing material before assembling.

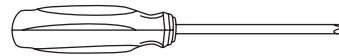
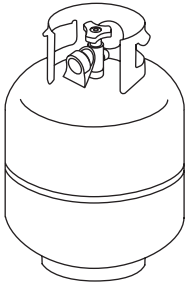
CAUTION

Sharp edges. Wear gloves while assembling.

CAUTION

Heavy pieces. Two people should assemble this appliance.

Assembly time: ~30 min



NOT INCLUDED:

LPG cylinder

Size: 18 x 12 in (45 x 30 cm), 20 lb (9 kg)

LPG cylinder must include collar to protect LPG cylinder valve.

NOT INCLUDED:

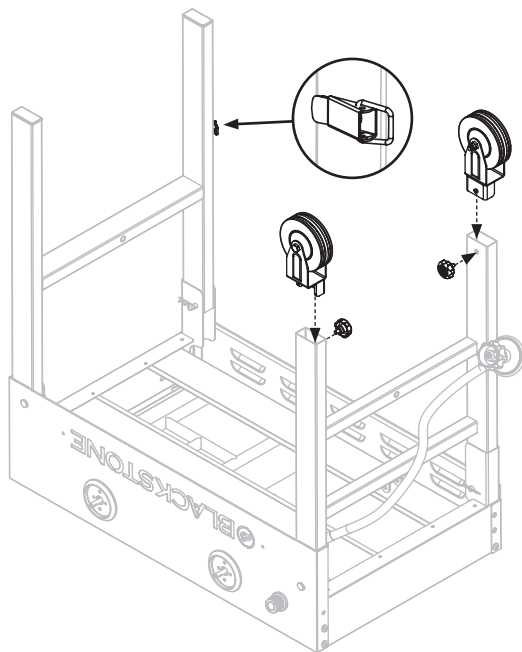
AA battery

TOOL NEEDED:

#3 Phillips head screwdriver

STEP 01 With the help of another person, remove the griddle body from the packaging and lay it upside down on a smooth, flat surface.

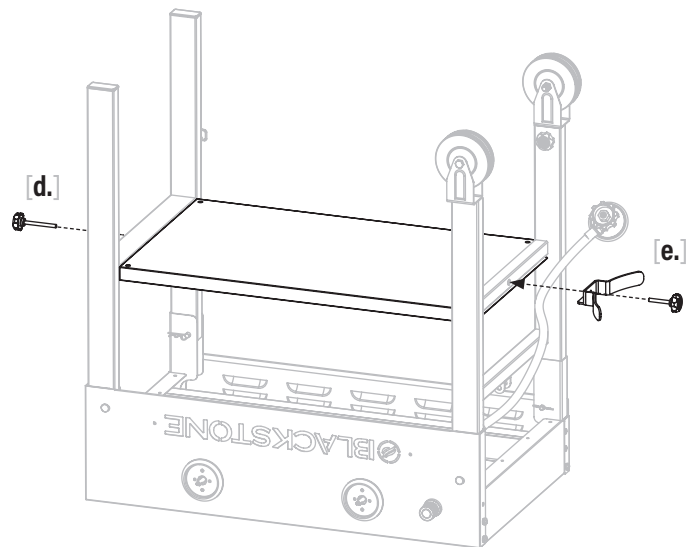
Unlatch and unfold the legs to their vertical position, then use two (2) small thumb screws [c.] to attach the two (2) wheels onto the ends of the left leg assembly.



STEP 02 Use one (1) large thumb screw [d.] to attach the stabilizing shelf to the right leg assembly.

Use one (1) medium thumb screw [e.] to attach the LPG support and the stabilizing shelf to the left leg assembly.

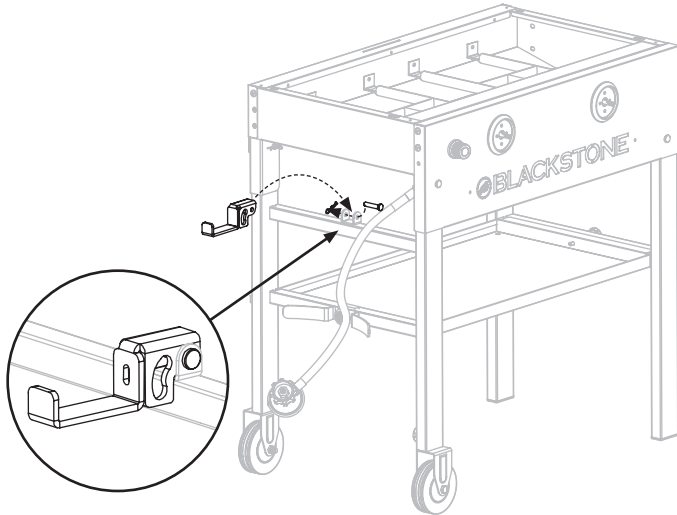
Note: This shelf is integral to the stability of the appliance while in use.



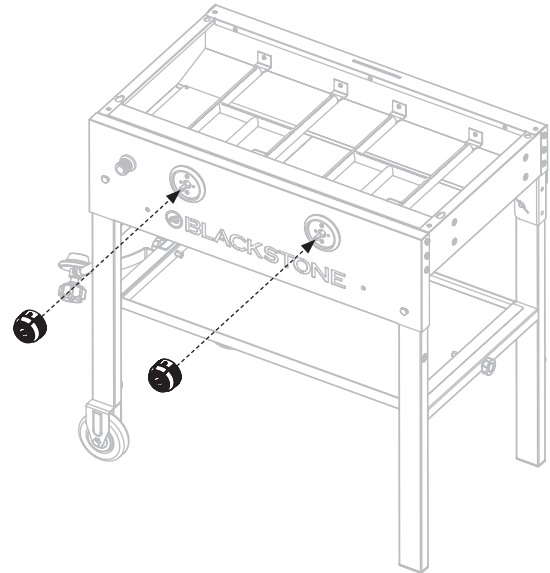


STEP 03 With the help of another person, pick up the griddle body and set it on its wheels.

Use one (1) shear pin [g.] and one (1) cotter pin [f.] to attach the LPG hook to the upper bar of the left leg assembly.



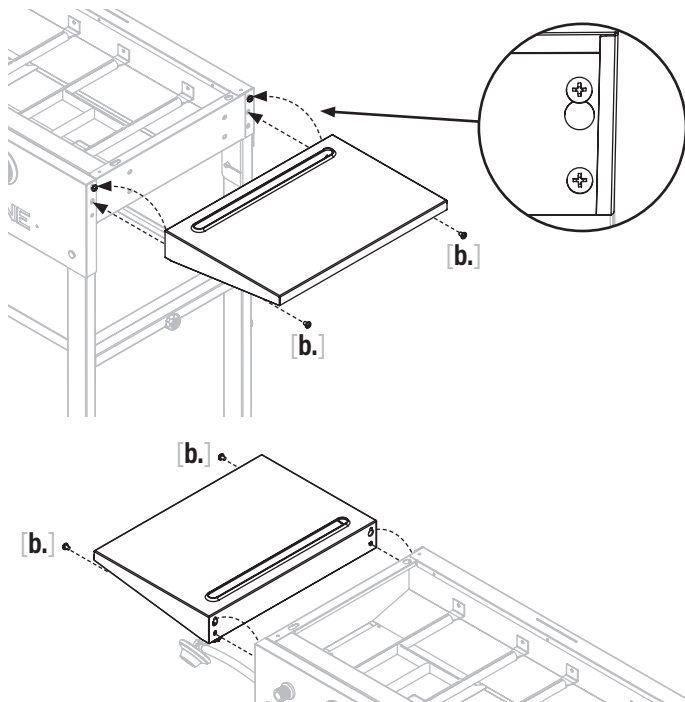
STEP 04 Install the two (2) control knobs [a.] by pushing them into place in the OFF position.



STEP 05 Loosen the two (2) M6x12 screws on the right side of the griddle body.

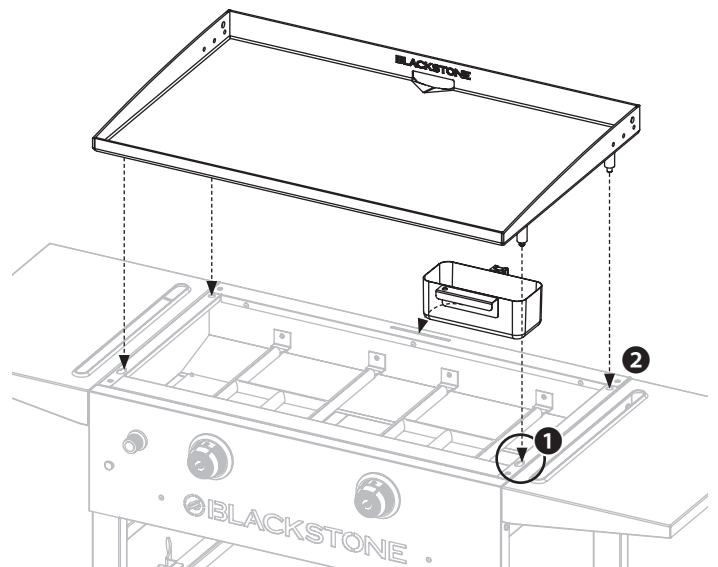
Hook one (1) side shelf on these screws and use two (2) M6x12 screws [b.] to secure the side shelf to the right side of the griddle body. Tighten all four screws.

Repeat with the left side of the griddle body.



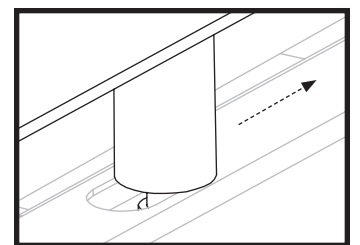
STEP 06 Hang the grease cup in the slot at the back of the griddle body.

With the help of another person, place the griddle top on the main body by aligning the 4 pins to the holes of the body.

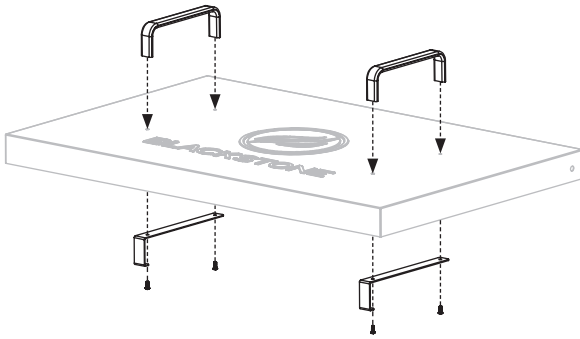


1 Place the two front pins into the front locking holes and push the griddle top back.

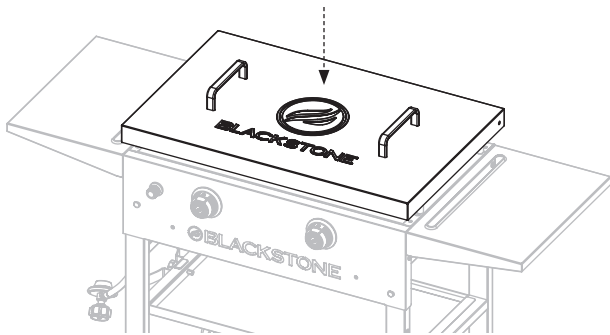
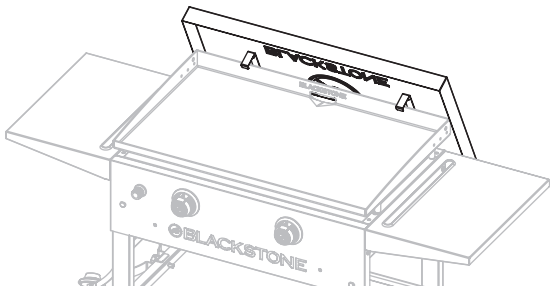
2 Then, set the two rear pins into the rear holes.



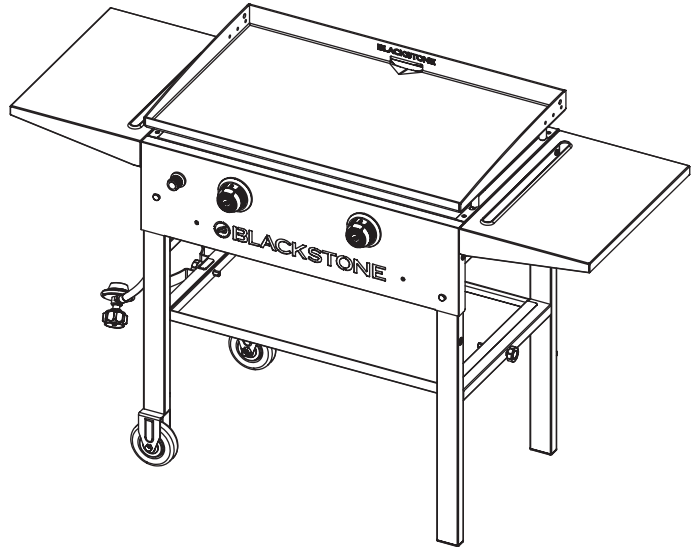
STEP 07 Use the four (4) M4x10 screws pre-installed in the hard cover handles to attach the two (2) hard cover handles and two (2) hard cover hooks to the hard cover.



(Hang hard cover on back of griddle top during appliance use. Place hard cover on the griddle top when appliance is not in use.)



STEP 08 Proceed to the **OPERATION INSTRUCTIONS**.



NOTICE

- Maximum weight on the side shelf is 10 lbs (4.5 kg).
- The side shelf may get hot while appliance is in use.

NOTICE

DO NOT place items on stabilizing shelf during use.

NOTICE

DO NOT place items on stabilizing shelf during use.





OPERATION INSTRUCTIONS

THE GAS SYSTEM

FITTINGS & HOSES

Prior to connection and use, ensure that there is no debris caught in, or damage to, the head of the gas cylinder, regulator, hose, burner and burner ports.

- Annual checking and tightening of metal fittings is recommended.
- Avoid twisting the flexible tube when the appliance is in use.
- Ensure that the hose is not obstructed, kinked, or in contact with any part of the appliance other than at its connection.
- Before each use, check to see if hoses are cut or worn. (Worn or damaged hose must be replaced before using appliance.)

(Use only Blackstone approved valve, hose, or regulator. Failure to comply will void the warranty.)

The LPG cylinder supply system must be arranged for vapor withdrawal.

- Always keep new LPG cylinders in upright position during use, transit or storage.
- Always keep the ventilation opening(s) of the cylinder enclosure free and clear from debris.

If grease or other hot material drips onto valve, hose or regulator:

STEP 01 Turn off gas supply immediately.

STEP 02 Determine the cause and correct it.

STEP 03 Clean and inspect valve, hose and regulator.

STEP 04 Perform a leak test.

ONLY USE A 20 LB (9 KG) CYLINDER

- The LP gas supply cylinder to be used must be constructed and marked in accordance with the Specifications for LP gas Cylinders of the U.S. Department of Transportation (DOT) or CSA B339, as applicable.
- Only LPG cylinders marked "propane" shall be used.

THE LPG CYLINDER VALVE MUST HAVE:

- Type 1 valve outlet (thread on the outside).
- Safety relief valve.
- UL listed Overfill Protection Device (OPD). This OPD safety feature is identified by a unique triangular hand wheel.



The seal on the valve outlet could, over time, show marked and visible damage or deterioration that might cause a leak even with the connection tightened.

- A visual inspection for the seal must be carried out every time a LPG cylinder is replaced or refilled.
- Any LPG cylinder showing signs of damage or deterioration as those illustrated including visible cracks and pitting, must be returned unused to the seller.

REGULATOR SAFETY

- Use this appliance, as purchased, only with gas and regulator/valve assembly supplied. DO NOT use quick connect fittings or other add-ons.
- DO NOT cross thread (force at an improper angle) the connection between your LPG cylinder and regulator.
- If you can not connect the regulator, DO NOT use the regulator.

Regulator must be replaced with a Blackstone approved model by a professionally licensed, authorized dealer.

CONNECT THE LPG CYLINDER

STEP 01 Ensure that the control knobs are turned OFF.

Ensure that the LPG cylinder is OFF by turning the hand wheel clockwise to a full stop.

STEP 02 Hold the regulator in a straight line with the valve outlet so as not to cross thread the connection.

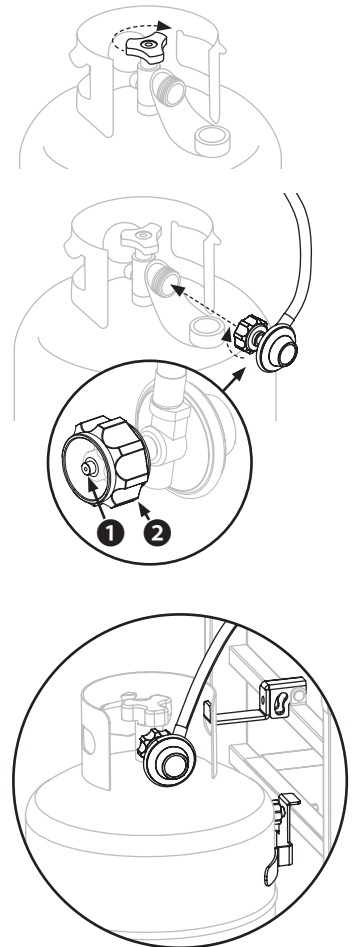
① Center and insert the regulator nipple into the valve outlet.

② Hand-tighten the coupling nut in a clockwise direction. (DO NOT use tools to connect.)

If connection cannot be completed, disconnect regulator and repeat this step.

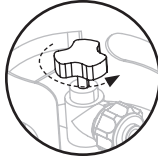
STEP 03 The safety relief valve must face away from the user while the appliance is in use.

Secure the LPG cylinder to the appliance by hanging it on the LPG hook so that it nestles against the LPG support.



HOW TO TURN ON THE GAS:

Turn the hand wheel counter-clockwise 1 to 3 turns.



LEAK TEST INSTRUCTIONS

- Leak test new and exchanged LPG cylinders BEFORE connecting to appliance.
- DO NOT smoke during leak test.
- DO NOT use an open flame to check for gas leaks.
- Appliance must be leak tested outdoors in a well-ventilated area, away from ignition sources such as gas fired or electrical appliances.
- During leak test, keep appliance away from open flames or sparks.

STEP 01 Turn off the gas supply at the gas cylinder valve. Ensure that the control knob valves are OFF.

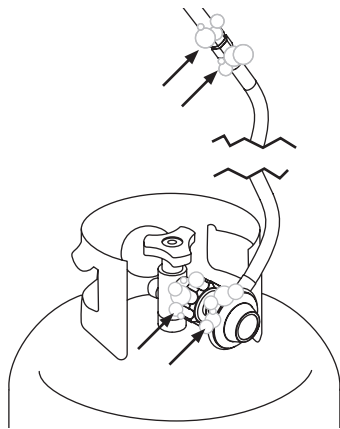
Connect the regulator to the LPG cylinder and turn ON the gas.

If you hear a rushing sound, turn gas off immediately. There is a major leak at the connection.

STEP 02 Use a clean paintbrush to brush a 1% mild soap and water solution onto joint areas of valves and regulator.

Leaks are indicated by growing bubbles.

STEP 03 Immediately turn OFF the gas and re-tighten connections.



WARNING

If leaks cannot be stopped, DO NOT try to repair. Regulator must be replaced with a Blackstone approved model by a professionally licensed, authorized dealer.

FILLING & EXCHANGE

- Use only those reputable exchange companies that inspect, precision fill, test and certify their cylinders. LPG dealer must purge new cylinder before filling.
- To remove gas from LPG cylinder, contact a certified LPG dealer or local fire department for assistance.
- DO NOT release liquid petroleum gas (LPG) into the atmosphere. Your retailer can help you match a replacement LPG cylinder to your appliance. Volume of propane in cylinder will vary by temperature.

WARNING

A frosty regulator indicates gas overfill. Immediately close LPG cylinder valve and call local LPG dealer for assistance.

- Exchange cylinder only for an OPD safety feature-equipped cylinder.

STORING LPG CYLINDERS

WARNING

- DO NOT store a spare LPG cylinder under, near, or in this appliance.
 - DO NOT fill an LPG cylinder beyond 80% full.
- If the information above is not followed exactly, a fire causing death or serious injury may occur.

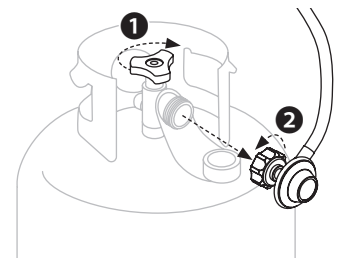
- The LPG cylinder must be turned OFF when the appliance is not in use.
- LPG cylinders must be stored outdoors and out of the reach of children.
- DO NOT store an LPG cylinder inside a building, garage, or in any other enclosed area.
- DO NOT store an LPG cylinder where temperatures can reach over 122°F (50°C).

DISCONNECTING THE LPG CYLINDER

Storage of the appliance indoors is only permissible if the LPG cylinder is disconnected and removed from the appliance.

Ensure that the control knobs are turned to OFF.

- 1 Ensure that the LPG cylinder is OFF by turning the hand wheel clockwise to a full stop.
- 2 Turn the coupling nut counter-clockwise by hand to remove the regulator. (DO NOT use tools to disconnect.)



Place dust cap on cylinder valve outlet whenever the cylinder is not in use. Only install the type of dust cap on the cylinder valve outlet that is provided with the cylinder valve. Other types of caps or plugs may result in leakage of propane.





IGNITION INSTRUCTIONS

1. CHECK VALVES

▲ Ensure gas is OFF before checking appliance valves.

STEP 01 Turn all knobs to the ❶ OFF position.

STEP 02 Push in knob and release. Knob should spring back. If knobs DO NOT spring back, replace valve assembly before using appliance.

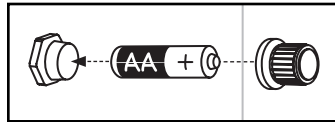
STEP 03 Rotate knob to LOW then turn back to OFF. Knob should turn smoothly.

STEP 04 Connect and turn ON the gas, as applicable. (Please reference the gas connection section.)

2. BATTERY POWERED IGNITION

STEP 01 Insert one (1) AA battery (not included) under the ignitor button.

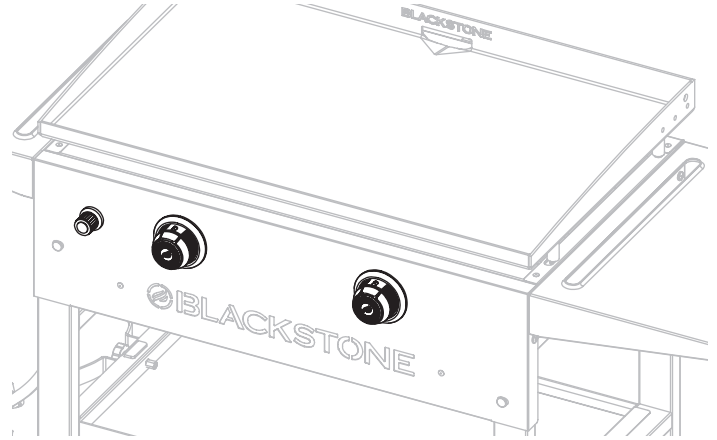
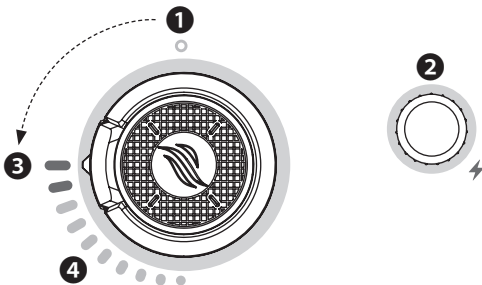
Screw the button into place over the positive terminal.



Clean the battery and appliance contacts prior to battery installation.

STEP 02

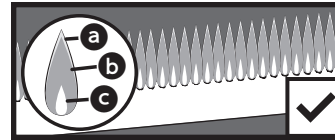
- ❷ Push and hold the ignitor button.
- ❸ Push and turn the control knob counter-clockwise to HIGH. (Release the ignitor button when the burner lights.)
- ❹ Adjust the temperature to desired level.



3. ALWAYS CHECK BURNER FLAME BEFORE USE.

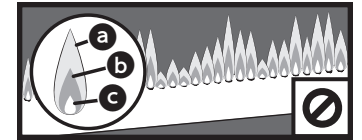
Light burners and look below the cooking surface to view burners. When knob is at HIGH, flames should be larger than when knob is at LOW.

HEALTHY FLAME PATTERN



- a Flickers of yellow.
- b Dark blue.
- c Vibrant blue.

YELLOW OR IRREGULAR



If flames are yellow or irregular, please reference the Troubleshooting chapter.

⚠ WARNING

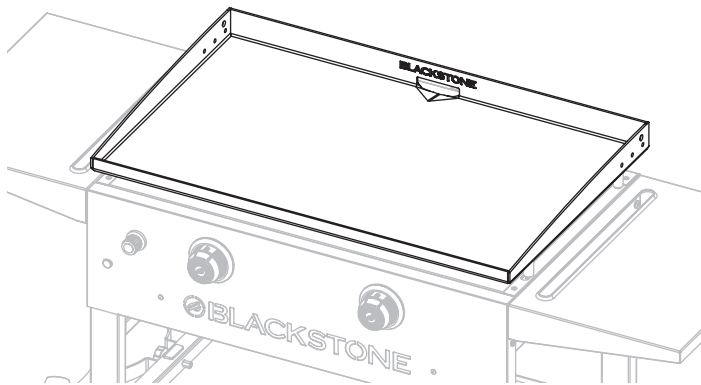
If burner does not ignite with open gas supply valve, gas will continue to flow out of burner and could accidentally/inadvertently ignite with risk of injury.

If ignition does not occur in 5 seconds:

1. Turn the burner control knob OFF.
2. Wait 5 minutes.
3. Repeat the lighting procedure.

If burner does not ignite, please reference the Troubleshooting chapter.

GRIDDLE SEASONING INSTRUCTIONS



WASHING YOUR GRIDDLE TOP BEFORE FIRST USE

NOTICE

Soap will ruin a seasoned griddle. This is the only time you should use soap on the griddle cooking surface.

STEP 01 Wash the griddle cooking surface with hot, soapy water.

STEP 02 Rinse and dry completely.

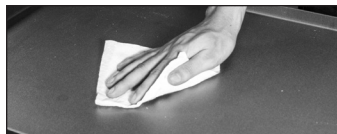
SEASONING YOUR GRIDDLE



VIDEO TUTORIAL

How to Season a New Blackstone Griddle
[youtube.com/watch?v=VspmDVnj2pl&t=3s](https://www.youtube.com/watch?v=VspmDVnj2pl&t=3s)

STEP 01 Wipe any debris off griddle top.



STEP 02 Set your griddle to high heat until your griddle top changes color. (~10 min)

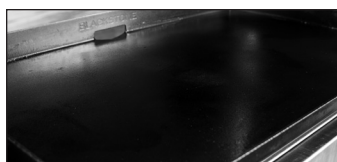


STEP 03 Use tongs to hold a paper towel or cotton cloth and spread 2-3 tablespoons of your seasoning oil across the entire griddle top.

When seasoning your griddle top, remember to use a thin and even layer of oil—the thinner the layer of oil, the easier it will be to burn it off.



STEP 04 The griddle top is ready for another layer of oil when it stops smoking. Repeat **STEP 03** 3-4 times, or until the griddle surface is black.



NOTICE

DO NOT store any items within 3 in (8 cm) of the griddle top while in use.

WHAT OIL IS BEST TO USE?

- Blackstone Seasoning and Cast Iron Conditioner.
- Any plant-based cooking oil.
- Rendered animal fat with no additives.



CAUTION

Properly dispose of the rags/ towels used to spread oil on your griddle top to prevent fires that might occur due to spontaneous combustion.

Under the right conditions, residual oil on rags or towels can oxidize long after being removed from a heat source. The oxidation process itself produces heat which, if not dissipated, can build up and may cause the rags/towels and surrounding material to ignite.

SEASONING TROUBLESHOOTING

THERE IS A BROWNISH RESIDUE ON THE GRIDDLE SURFACE:

POSSIBLE CAUSES

- Too much oil was used.
- You turned off the heat too soon.

SOLUTION

STEP 01 Turn your griddle on high and let it heat for 10-15 minutes.

STEP 02 Scrape off as much of the thickened and partially cooked oil as you can.

STEP 03 Re-season with a very thin layer of oil.

THE EDGES OF THE GRIDDLE SURFACE ARE NOT BLACK:

After using your griddle for multiple cooks, the seasoning will even out and improve.

PREVENTING RUST

Use your griddle frequently. Every time you cook, you are adding to the seasoning, which makes rust less likely.

NOTICE

If you live in a humid or coastal climate, your griddle may require more frequent seasonings between uses.

If rust appears on the griddle surface, rub it off with steel wool, low grit sandpaper or the **Blackstone Pumice Stone** and re-season the surface.



VIDEO TUTORIAL

Recovering your Blackstone Griddle Top
[youtube.com/watch?v=thPE2lgnSil](https://www.youtube.com/watch?v=thPE2lgnSil)



COOKING ON YOUR BLACKSTONE

⚠ CAUTION

This appliance will be hot during and after use. Use long-handled utensils and oven mitts/ protective gloves when handling potentially hot parts, including handles close to the appliance body, to protect against burns and splatters.

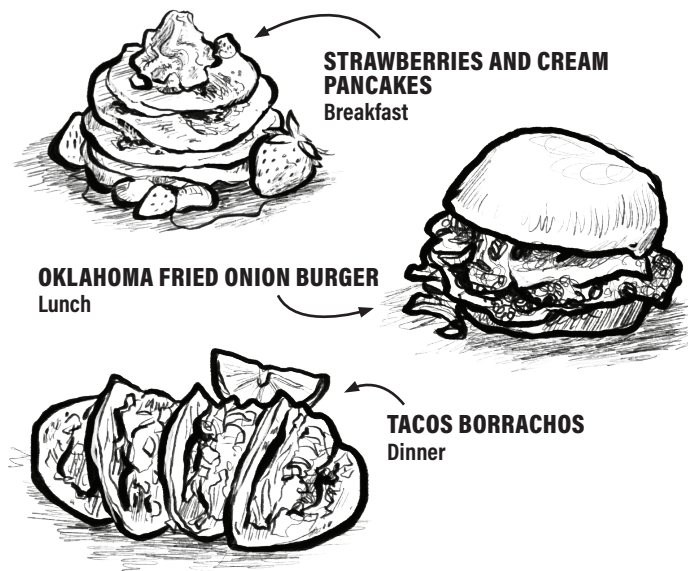
VIDEO RECIPES

Find recipes and cooking tips at:

🌐 BlackstoneProducts.com/recipes

📺 youtube.com/BlackstoneGriddles

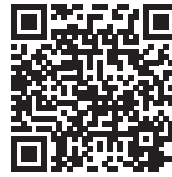
📱 @blackstoneproducts



CLEANING YOUR GRIDDLE TOP

Clean griddle top after each use, while still warm.

- DO NOT use soap on the griddle top. This will destroy the griddle's seasoning.



VIDEO TUTORIAL

How to Clean your Blackstone Griddle

📺 youtube.com/watch?v=-ledu9z6NPY

STEP 01 Push loose food debris into the grease cup with spatula or straight metal scraper.



STEP 02 Wipe down griddle top with a paper towel or a Blackstone Scrub Pad.



STEP 03 Apply a few tablespoons of water to the griddle surface, then scrape the water and debris into the grease cup.

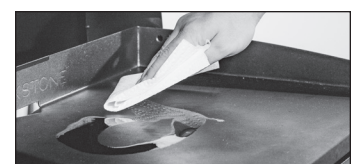
(For stuck-on food residue, use a bit of coarse salt.)



STEP 04 Wipe again with a paper towel and dry completely.



STEP 05 Apply thin coat of cooking oil to maintain seasoning and protect the griddle top.



EMPTY YOUR GREASE CUP

The grease cup must be removed and emptied after each use.

Note: Making sure your griddle is on level ground will allow grease and water to drain towards the rear grease cutout.

⚠ CAUTION

Grease cup will be hot during and after use. DO NOT remove the grease cup until the griddle has completely cooled.



CARE AND MAINTENANCE

⚠ WARNING

Grease build up can cause a fire. Clean any part of the appliance that gets hot and experiences grease build up after each use.

⚠ CAUTION

All cleaning and maintenance should be carried out when the appliance is cool and everything is turned OFF.

- DO NOT use abrasive pad on areas with graphics.
- If a bristle brush is used to clean any of the cooking surfaces, ensure no loose bristles remain on cooking surfaces prior to cooking.

APPLIANCE BODY:

Wash with warm soapy water and immediately wipe dry with a non-abrasive cloth. (DO NOT allow cleaning agents to rest on any porous surface for a prolonged amount of time.)

NOTICE

DO NOT use Citrisol, abrasive cleaners, or a concentrated cleaner on the appliance. This may result in damage to and failure of parts.

APPLIANCE STORAGE

⚠ WARNING

DO NOT move the appliance when in use. Allow the appliance to cool to 115°F (45°C) before moving or storing.

Cover your appliance with a hard or soft cover or carry bag (as applicable) when stored outdoors. DO NOT store where water will pool.



FIND MY COVER

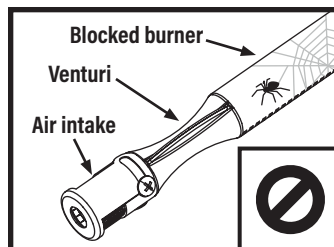
BlackstoneProducts.com

- Covers
- Carry bags

CLEANING THE BURNER ASSEMBLY

Spiders and insects can nest within and clog the burner/venturi tube at the orifice.

To reduce chance of "flash-back" the procedure below should be followed at least once a month when spiders are most active or when your appliance has not been used for a period of time.



⚠ WARNING

A clogged burner can lead to a fire beneath the appliance.

Burner should be removed and cleaned whenever blockages are found.



VIDEO TUTORIAL

How to Clean Your Burner Tube

[youtube.com/watch?v=xKQTCrFCzf8](https://www.youtube.com/watch?v=xKQTCrFCzf8)

STEP 01 Ensure that the gas is turned OFF at control knobs and gas supply. Remove the griddle top.

STEP 02 Carefully detach and remove the burner.



STEP 03 Clean the inside of the burner:

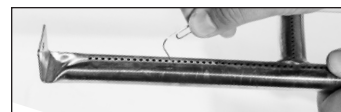
- Run a narrow bottle brush through the burner several times. (DO NOT use wire brushes)
- Use compressed air to blow out the burner. (Wear eye protection)



STEP 04 Brush entire outer surface of burner to remove grime.

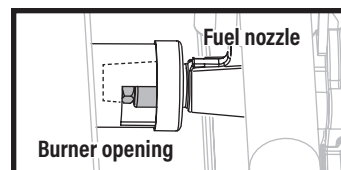


STEP 05 Clean any blocked ports with stiff wire such as an open paper clip.



STEP 06 Carefully replace burners and reattach, with attention to the location of the ignition needle.

⚠ The gas rail fuel nozzle must be reengaged within the burner opening.





TROUBLESHOOTING

IGNITION TROUBLESHOOTING

BURNER WILL NOT IGNITE:

If ignition does not occur in 5 seconds:

STEP 01 Turn the burner control knob OFF.

STEP 02 Wait 5 minutes.

STEP 03 Repeat the lighting procedure.

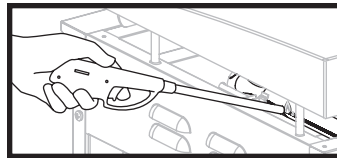
If this does not work, to determine the cause, please try to ignite your appliance with a match.

MATCH LIGHTING INSTRUCTIONS

Before beginning, check for gas leaks. Open hood (if applicable).

STEP 01 Turn control knob to OFF position.

STEP 02 Light a match (or long lighter) no shorter than 11 inches long.

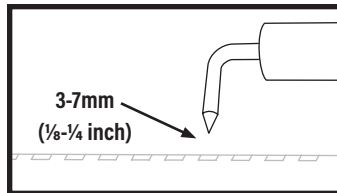


STEP 03 Place the flame next to the burner.

STEP 04 Push in and turn the control knob to start gas flowing. Ensure burner lights and stays lit.

IF YOU CAN IGNITE YOUR APPLIANCE WITH A MATCH:

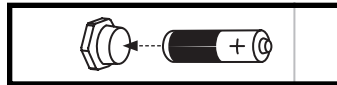
| POSSIBLE CAUSES | SOLUTION |
|--------------------------|--|
| Ignitor wire misaligned. | Ensure that the ignitor needle is positioned 3-7mm (1/8-1/4 inch) away from the burner, and aligned with the burner holes. |



| | |
|--------------------------------|---|
| Damage to the ignition system. | Contact customer support for replacement parts. |
|--------------------------------|---|

| | |
|--------------------------------------|---------------------------|
| Dead / improperly installed battery. | Replace with new battery. |
|--------------------------------------|---------------------------|

For recycling and disposal of batteries to protect the environment, please check the internet or your local phone directory for local recycling centers and / or follow local government regulations.



- Ensure the battery is installed correctly with regard to polarity (+ and -).
- Remove batteries from equipment that is not to be used for an extended period of time.
- Remove used batteries promptly.

IF YOU CAN NOT IGNITE YOUR APPLIANCE WITH A MATCH:

| POSSIBLE CAUSES | SOLUTION |
|--------------------------------------|--|
| Burner tubes are not receiving fuel. | Clean the burner assembly to remove the obstruction. |

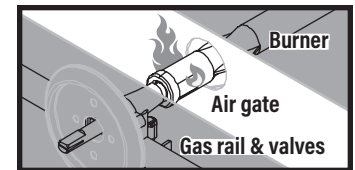
GAS FLOW TROUBLESHOOTING

APPLIANCE WILL NOT ACHIEVE A HIGH HEAT OR HEATS UNEVENLY:

- Burner flames are yellow or irregular.
- Burner flames start strong, then immediately drop to low even when burner is set to high position.
- Flame height drops when a second burner is lit.
- Flames DO NOT extend the full length of the burner, or only run on one side of the burner.
- Burner flames are inconsistent.

| POSSIBLE CAUSES | SOLUTION |
|---|--|
| Obstructions in the burner, gas jets, or fuel rail. | Clean the burner, jets, and gas hose. |
| Gas cylinder is empty or low. | Refill or replace the gas cylinder. |
| The regulator's flow limiting device was triggered. | Reset the safety system: STEP 01 Turn OFF the appliance, close the gas cylinder valve, and disconnect the regulator from the gas cylinder. STEP 02 Wait five minutes to allow the pressure to dissipate, then reconnect the regulator to the gas cylinder and slowly open the gas cylinder hand wheel one to three turns. STEP 03 Ignite your appliance. |
| Regulator stuck in safety position. | Contact customer support for replacement parts. |

- A flame is coming out of the air gate.



| POSSIBLE CAUSES | SOLUTION |
|--|--|
| Something is blocking the venturi in the burner. | Clean the burner assembly to remove the obstruction. |



CUSTOMER SUPPORT

CONTACT US

For all questions, inquiries, or customer support, please contact:

USA & CANADA

BlackstoneProducts.com/support

- Monday - Friday | 7:00 am - 5:00 pm (MST/MDT)
- English and Spanish

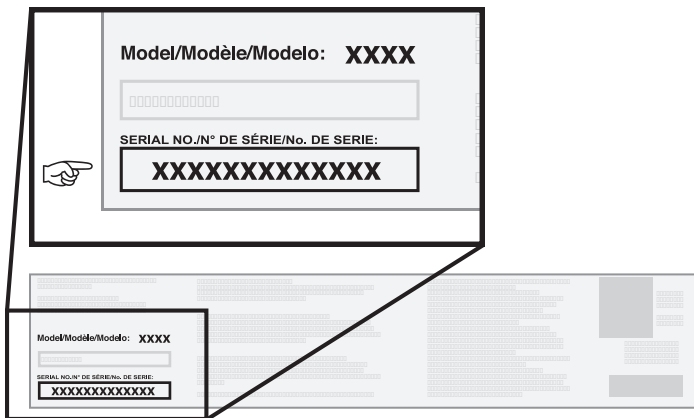
Please contact us before returning this appliance to your retailer.

SERIAL NUMBER LOCATION

To enable your warranty, you will need to provide your appliance's Serial Number.

The Serial Number can be found on your appliance's Manufacturer Label.

(The Manufacturer Label is a large silver sticker found on the body of your appliance.)



**FREE
E-COOKBOOK**
WHEN YOU REGISTER



ONE YEAR WARRANTY

North Atlantic Imports, LLC warrants this product against defects in materials and workmanship for a period of one (1) year from the original date of purchase under normal use. To the extent any such defects occur, North Atlantic Imports, LLC, in its discretion, will provide the appropriate replacement part(s) at no charge.

In no event shall North Atlantic Imports, LLC be liable for consequential, indirect or incidental damages resulting from the installation, use or failure of the product.

This warranty DOES NOT cover:

- Inspection costs or labor for replacement of any defective part(s);
- Cosmetic defects which DO NOT affect product performance or integrity;
- Normal wear and tear;
- Damage due to vandalism; acts of nature, including but not limited to wind, storms, hail, floods;
- Improper assembly, installation, or use;
- Discoloration or fading of the finish as a result of exposure to chemicals, spills, pool or salt water;
- Corrosion/ rust.

This product has been designed for safety and quality. Any modifications made to the original product could compromise its structural integrity or function and could lead to product failure or personal injury. As such, modifying this product voids all warranties.

This product is for RESIDENTIAL USE ONLY, and is not for commercial, contract or other non-residential purposes. North Atlantic Imports, LLC disclaims all other representations and warranties of any kind, express or implied.

The warranty applies to the original purchaser and is non-transferable. It does not apply to accessories or parts not supplied with the product, to purchases of display models, or to product that is sold on clearance or "as is". You may, however, have other specific legal rights based on the laws of your specific state or country of residence.

To activate your warranty, register your product at BlackstoneProducts.com/register

North Atlantic Imports, LLC reserves the right to change or modify this warranty at any time.



This page intentionally left blank



This page intentionally left blank





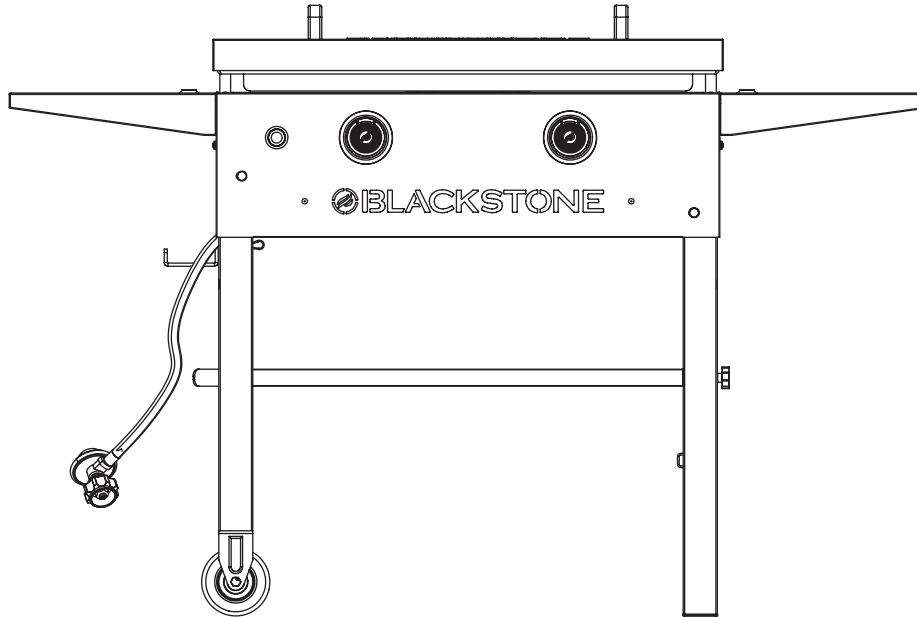
This page intentionally left blank





This product may be covered by one or more issued U.S. and/or international patents and may include patent applications pending. For more information, please visit: BlackstoneProducts.com/patents





MANUEL DU PROPRIÉTAIRE

PLAQUE CHAUFFANTE DE 28 PO AVEC COUVERCLE RIGIDE

TABLE DES MATIÈRES

| | |
|--|----|
| INFORMATIONS DE SÉCURITÉ IMPORTANTES | 02 |
| GUIDE D'ASSEMBLAGE | 04 |
| INSTRUCCIONES DE OPERACIÓN | 09 |
| DÉPANNAGE | 15 |
| SERVICE CLIENT | 16 |



Dernière version du manuel:
BlackstoneProducts.com/support

IMPORTANT:

Ce manuel d'instructions contient des informations importantes nécessaires au montage correct et à l'utilisation en toute sécurité de l'appareil.

Lisez et suivez tous les avertissements et instructions avant d'assembler et d'utiliser l'appareil.

Suivez tous les avertissements et instructions lors de l'utilisation de l'appareil.

Conservez ce manuel pour référence ultérieure.

Installateur/Assembleur : Laisser ces instructions au consommateur.

CLÉ D'ALERTE DE SÉCURITÉ

⚠ DANGER

Indique une situation dangereuse qui, si elle n'est pas évitée, entraînera la mort ou des blessures graves.

⚠ ATTENTION

Indique une situation dangereuse qui, si elle n'est pas évitée, pourrait entraîner des blessures mineures ou modérées.

⚠ AVERTISSEMENT

Indique une situation dangereuse qui, si elle n'est pas évitée, peut entraîner la mort ou des blessures graves.

AVIS

Indique des informations considérées comme importantes, mais non liées à un danger (par exemple, des messages liés à des dommages matériels).

INFORMATIONS DE SÉCURITÉ IMPORTANTES

SÉCURITÉ DES APPAREILS À GAZ

⚠ DANGER

Si vous sentez une odeur de gaz:

- Fermez le gaz vers l'appareil.
- Éteignez toute flamme nue.
- Ouvrez le capot (le cas échéant).
- Si l'odeur persiste, éloignez-vous de l'appareil et appelez immédiatement votre fournisseur de gaz ou votre service d'incendie.

Le non-respect de ces instructions peut entraîner un incendie ou des dommages matériels, des blessures ou la mort.

⚠ AVERTISSEMENT

- Ne stockez pas et N'UTILISEZ PAS d'essence ou d'autres liquides ou vapeurs inflammables à proximité de cet appareil ou de tout autre appareil.
- Une bouteille de GPL non connectée pour utilisation ne doit pas être stockée à proximité de cet appareil ou de tout autre appareil.

L'INSTALLATION DOIT ÊTRE CONFORME AUX CODES LOCAUX.

En l'absence de codes locaux, l'installation doit être conforme à ANSI Z223.1/NFPA 54, CSA B149.1 ou CSA B149.2.

⚠ DANGER

- NE FAITES jamais fonctionner cet appareil sans surveillance.
 - En cas d'incendie, éloignez-vous de l'appareil et appelez immédiatement les pompiers. N'ESSAYEZ PAS d'éteindre un feu d'huile ou de graisse avec de l'eau.
- Le non-respect de ces instructions peut entraîner un incendie ou des dommages matériels, des blessures ou la mort.

⚠ DANGER



RISQUE DE MONOXYDE DE CARBONE

Cet appareil peut produire du monoxyde de carbone qui est toxique et inodore.

Son utilisation dans un espace clos peut vous tuer. N'utilisez jamais cet appareil dans un espace clos tel qu'un camping-car, une tente, une voiture ou une maison.

⚠ DANGER

Les objets inflammables peuvent prendre feu s'ils sont placés à proximité de l'appareil.

Gardez la zone de l'appareil dégagée et exempte de matériaux combustibles, de contenants aérosols, d'essence et d'autres vapeurs et liquides inflammables.

⚠ AVERTISSEMENT

Une installation, une utilisation, un réglage, une altération, un service, une modification ou un entretien inappropriés peuvent provoquer des dommages matériels, des blessures graves, voire la mort. Reportez-vous à ce manuel.

- L'utilisation d'alcool, de médicaments sur ordonnance ou en vente libre peut nuire à la capacité du consommateur à assembler correctement ou à utiliser l'appareil en toute sécurité.
- Gardez les enfants et les animaux domestiques éloignés de l'appareil à tout moment.
- Ayez à portée de main un extincteur de type BC ou ABC.
- NE PAS utiliser à des fins autres que celles prévues.
- Pour usage domestique extérieur uniquement, pas pour un usage commercial.
- N'UTILISEZ PAS cet appareil comme appareil de chauffage.



AMÉNAGEMENT DE VOTRE ESPACE EXTÉRIEUR

CET APPAREIL NE DOIT ÊTRE UTILISÉ QU'À L'EXTÉRIEUR SUR UNE SURFACE PLANE.

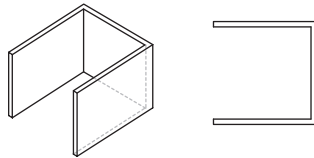
- N'UTILISEZ PAS cet appareil à l'intérieur de bâtiments, de garages ou de tout autre espace clos.
- N'INSTALLEZ PAS cet appareil dans ou sur un bateau.
- N'INSTALLEZ PAS cet appareil dans ou sur un véhicule récréatif.

ESPACES EXTÉRIEURS ABRITÉS:

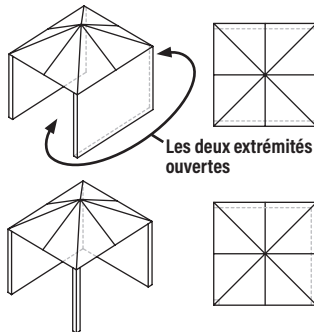
Toutes les ouvertures doivent être ouvertes en permanence ; les portes coulissantes, les portes de garage, les fenêtres ou les ouvertures grillagées ne sont pas considérées comme des ouvertures permanentes.

Un appareil est considéré comme étant à l'extérieur s'il est installé avec un abri ne dépassant pas:

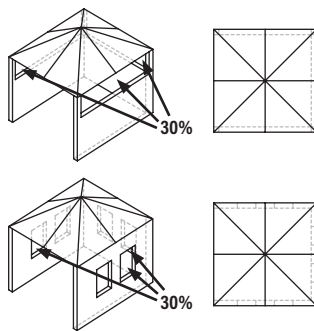
- a. Avec des murs sur trois côtés, mais sans couverture aérienne.



- b. À l'intérieur d'une enceinte partielle qui comprend un toit supérieur et pas plus de deux parois latérales. Les parois latérales peuvent être parallèles, comme dans un passage couvert, ou à angle droit l'une par rapport à l'autre.



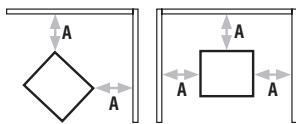
- c. À l'intérieur d'une enceinte partielle qui comprend un couvercle supérieur et trois parois latérales, tant que 30% ou plus de la périphérie horizontale de l'enceinte est ouverte en permanence.



La température ambiante minimale de fonctionnement est de 0°F (-18°C).

MAINTENIR DES DÉGAGEMENTS APPROPRIÉS PAR RAPPORT AUX MATÉRIEAUX COMBUSTIBLES :

- N'UTILISEZ PAS cet appareil sur ou sous un balcon ou une terrasse d'appartement ou de copropriété.
- NE PAS obstruer le flux d'air de combustion et de ventilation.



NE FAITES pas fonctionner cet appareil à moins de 36 po (1 m) des côtés et de l'arrière de l'appareil à une construction combustible.

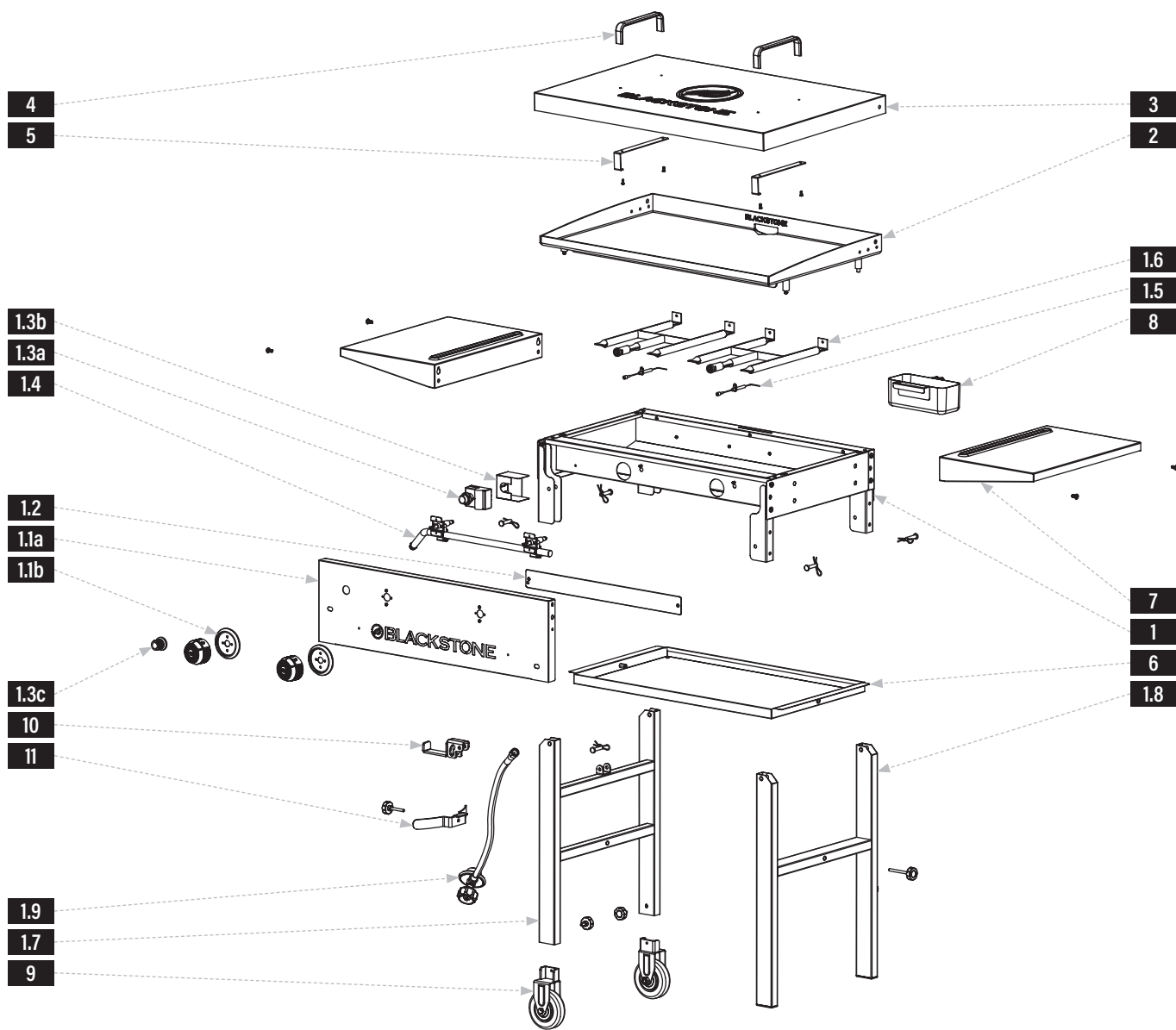
A = 36 po (1 m)

- N'UTILISEZ PAS cet appareil sous une construction combustible suspendue.

GUIDE D'ASSEMBLAGE

VUE ÉCLATÉE

FRANÇAIS

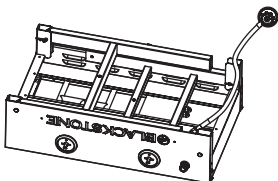
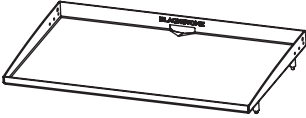
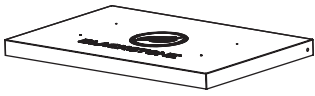
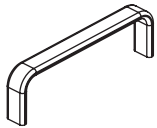
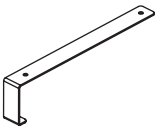

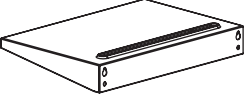
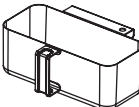
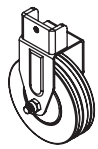
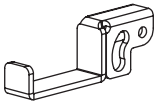
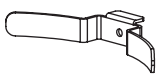


LISTE DES PIÈCES

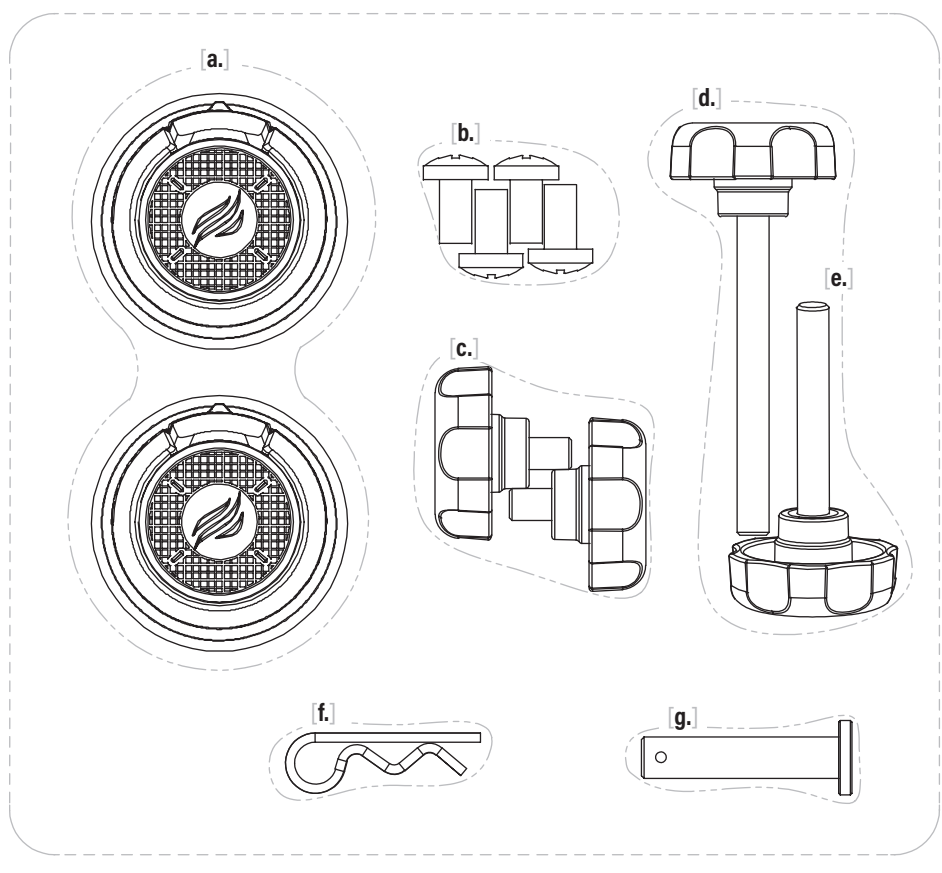
| PIÈCES | QTÉ | PIÈCES | QTÉ | PIÈCES | QTÉ | PIÈCES | QTÉ | | | | |
|--------|-------------------------------|--------|------|-------------------------------|-----|--------|----------------------|---|-----|-------------------------------|---|
| 1.1a | Panneau de commande | 1 | 1.3a | Allumeur | 1 | 1.4 | Rampe de gaz | 1 | 1.7 | Assemblage de la jambe gauche | 1 |
| 1.1b | Lunette de bouton de commande | 2 | 1.3b | Bouclier thermique d'allumage | 1 | 1.5 | Aiguilles d'allumage | 2 | 1.8 | Assemblage jambe droite | 1 |
| 1.2 | Panneau de fond | 1 | 1.3c | Bouton d'allumage | 1 | 1.6 | Brûleurs H | 2 | 1.9 | Régulateur | 1 |





| | | | | |
|---|--|--|--|--|
| <p>1 Corps (1 pièce)</p>  | <p>2 Plancha (1 pièce)</p>  | <p>3 Couverture rigide (1 pièce)</p>  | | |
| <p>4 Poignées rigides (2 pièces)</p>  | <p>5 Crochets pour couverture rigide (2 pièces)</p>  | <p>6 Étagère de stabilisation (1 pièce)</p>  | | |
| <p>7 Étagères latérales (2 pièces)</p>  | <p>8 Pot à graisse (1 pièce)</p>  | <p>9 Roues (2 pièces)</p>  | <p>10 Crochet GPL (1 pièce)</p>  | <p>11 Support GPL (1 pièce)</p>  |

- 12** Pack matériel (1 pièce)
- a. Boutons de commande (2 pièces)
 - b. Vis M6x12 (4 pièces)
 - c. Petites vis à oreilles (2 pièces)
 - d. Grande vis à oreilles (1 pièce)
 - e. Vis à oreilles moyennes (1 pièce)
 - f. Goupille fendue (1 pièce)
 - g. Goupille de cisaillement (1 pièce)



FRANÇAIS



INSTRUCTIONS DE MONTAGE

Trouvez une grande surface propre pour assembler votre appareil.
Retirez tous les matériaux d'emballage avant l'assemblage.

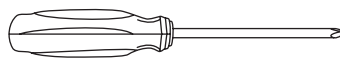
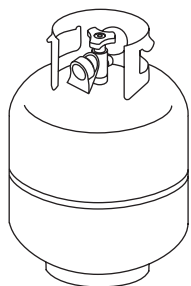
⚠ ATTENTION

Bouts pointus. Portez des gants lors de l'assemblage.

⚠ ATTENTION

Morceaux lourds. Deux personnes doivent assembler cet appareil.

Temps d'assemblage : ~30 min



NON INCLUS:

Bouteille GPL

Taille: 45 x 30 cm (18 x 12 po), 9 kg (20 lb)

La bouteille de GPL doit inclure un collier pour protéger le robinet de la bouteille de GPL.

NON INCLUS:

Pile AA

OUTIL NÉCESSAIRE:

Tournevis cruciforme n° 3

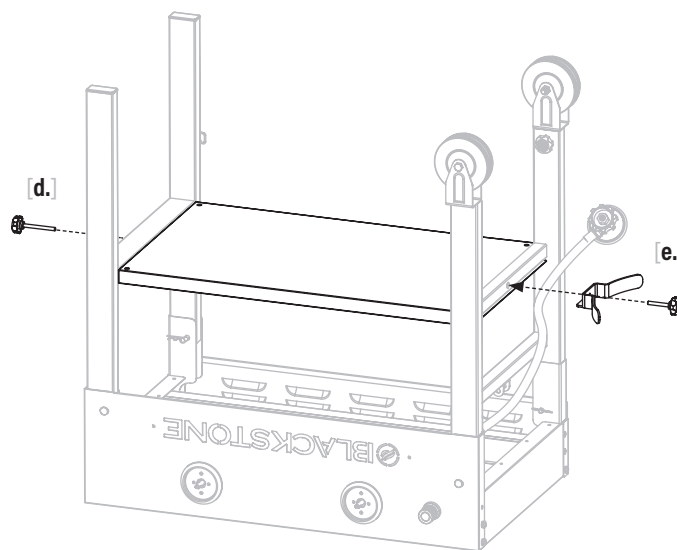
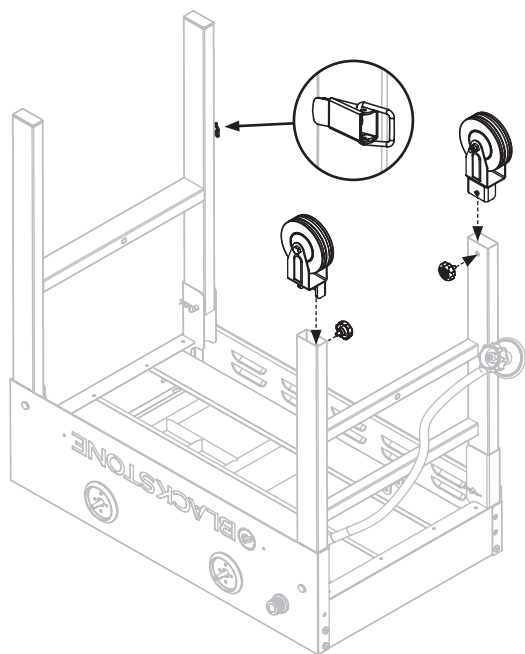
ÉTAPE 01 Avec l'aide d'une autre personne, retirez le corps de la plaque chauffante de l'emballage et posez-le à l'envers sur une surface lisse et plane.

Déverrouillez et dépliez les pieds jusqu'à leur position verticale, puis utilisez deux (2) petites vis à oreilles [c.] pour fixer les deux (2) roues sur les extrémités de l'assemblage du pied gauche.

ÉTAPE 02 1 Utilisez une (1) grande vis à oreilles [d.] pour fixer la tablette de stabilisation au pied droit.

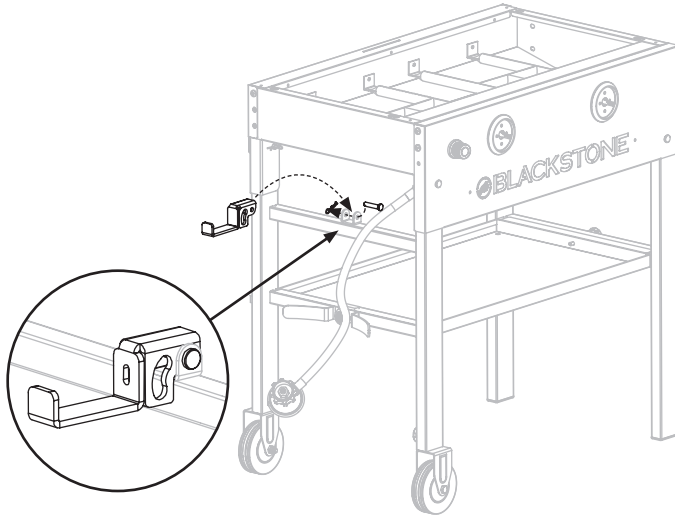
2 Utilisez une (1) vis moletée moyenne [e.] pour fixer le support de GPL et la tablette de stabilisation à l'assemblage du pied gauche.

Remarque: Cette étagère fait partie intégrante de la stabilité de l'appareil pendant son utilisation.

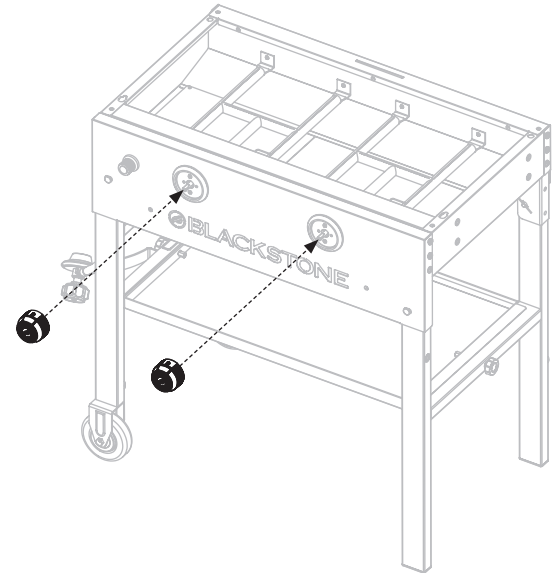




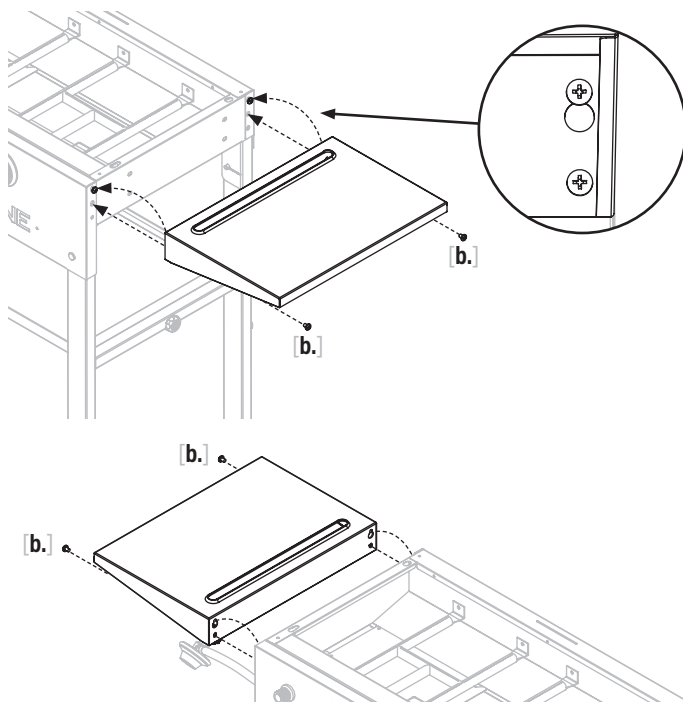
ÉTAPE 03 Avec l'aide d'une autre personne, prenez le corps de la plaque chauffante et placez-le sur ses roues.
Utilisez une (1) goupille de cisaillement [g.] et une (1) goupille fendue [f.] pour fixer le crochet de GPL à la barre supérieure de l'ensemble de pied gauche.



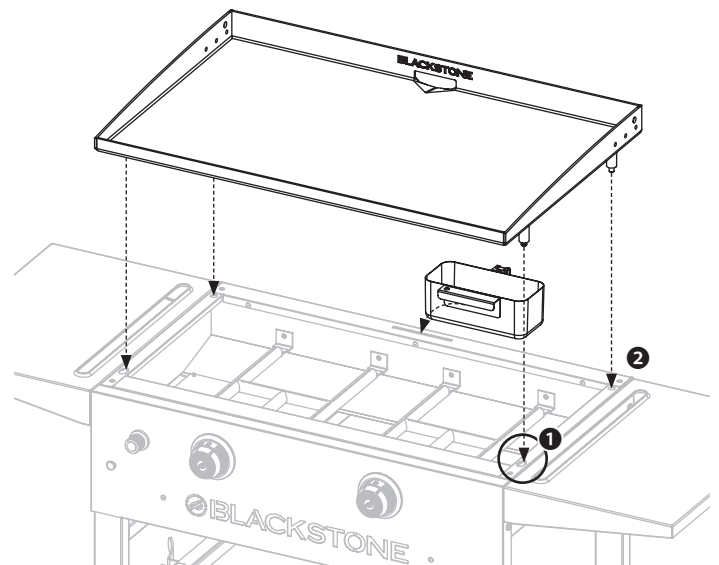
ÉTAPE 04 Installez les deux (2) boutons de commande [a.] en les poussant en place en position OFF.



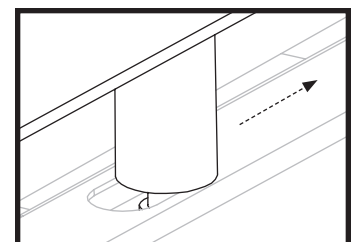
ÉTAPE 05 Desserrez les deux (2) vis M6x12 sur le côté droit du corps de la plaque chauffante.
Accrochez une (1) tablette latérale sur ces vis et utilisez deux (2) vis M6x12 [b.] pour fixer la tablette latérale sur le côté droit du corps de la plaque chauffante. Serrez les quatre vis.
Répétez avec le côté gauche du corps de la plaque chauffante.



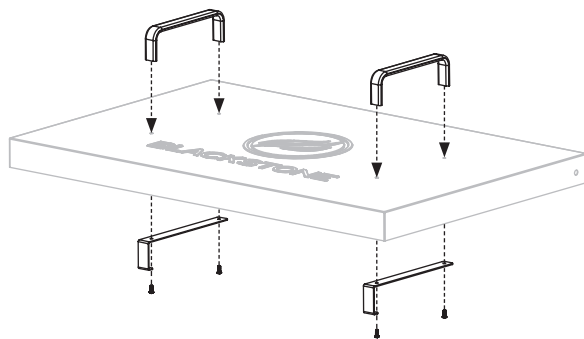
ÉTAPE 06 Accrochez le bac à graisse dans la fente à l'arrière du corps de la plaque chauffante.
Avec l'aide d'une autre personne, placez le dessus de la plaque chauffante sur le corps principal en alignant les 4 broches sur les trous du corps.



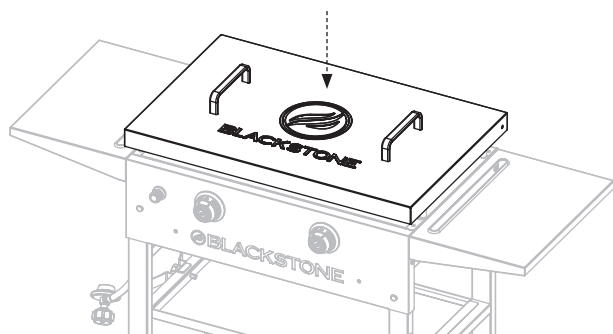
- 1 Placez les deux goupilles avant dans les trous de verrouillage avant et repoussez le dessus de la plaque chauffante.
- 2 Ensuite, placez les deux broches arrière dans les trous arrière.



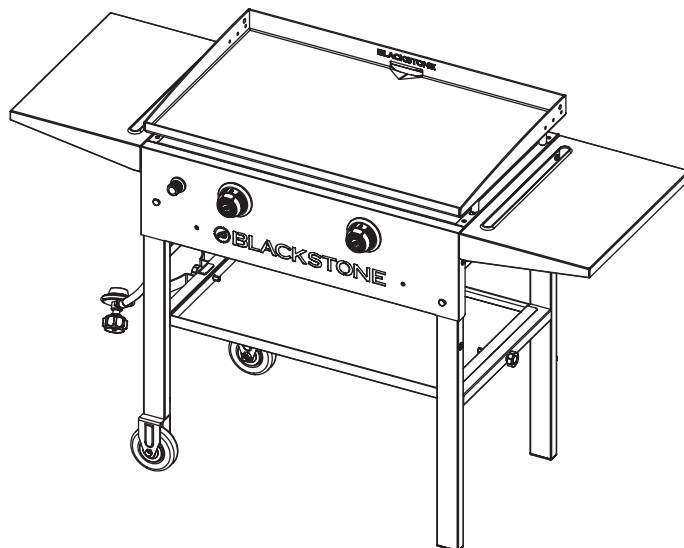
ÉTAPE 07 Utilisez les quatre (4) vis M4x10 préinstallées dans les poignées du couvercle rigide pour fixer les deux (2) poignées du couvercle rigide et les deux (2) crochets du couvercle rigide au couvercle rigide.



(Accrochez le couvercle rigide à l'arrière du dessus de la plaque chauffante pendant l'utilisation de l'appareil. Placez le couvercle rigide sur le dessus de la plaque chauffante lorsque l'appareil n'est pas utilisé.)



ÉTAPE 08 Passez aux **INSTRUCTIONS D'UTILISATION**.



AVIS

- Le poids maximum sur la tablette latérale est de 4,5 kg (10 lb).
- L'étagère latérale peut devenir chaude pendant l'utilisation de l'appareil.

AVIS

Ne placez pas d'articles sur l'étagère de stabilisation pendant l'utilisation.

AVIS

Ne placez pas d'articles sur l'étagère de stabilisation pendant l'utilisation.



INSTRUCCIONES DE OPERACIÓN

LE SYSTÈME GAZ

RACCORDS ET TUYAUX

Avant le raccordement et l'utilisation, assurez-vous qu'il n'y a pas de débris coincés dans la tête de la bouteille de gaz, le régulateur, le tuyau, le brûleur et les orifices du brûleur, ni endommagés.

- Une vérification et un serrage annuels des raccords métalliques sont recommandés.
- Évitez de tordre le tube flexible lorsque l'appareil est en cours d'utilisation.
- Assurez-vous que le tuyau n'est pas obstrué, plié ou en contact avec une partie de l'appareil autre qu'au niveau de son raccordement.
- Avant chaque utilisation, vérifiez si les tuyaux sont coupés ou usés. (Un tuyau usé ou endommagé doit être remplacé avant d'utiliser l'appareil.)

(Utilisez uniquement une vanne, un tuyau ou un régulateur approuvé par Blackstone. Le non-respect de ces règles annulera la garantie.)

Le système d'alimentation des bouteilles de GPL doit être prévu pour l'évacuation des vapeurs.

- Gardez toujours les nouvelles bouteilles de GPL en position verticale pendant l'utilisation, le transport ou le stockage.
- Gardez toujours les ouvertures de ventilation de l'enceinte du cylindre libres et exemptes de débris.

Si de la graisse ou tout autre matériau chaud coule sur la vanne, le tuyau ou le régulateur:

ÉTAPE 01 Coupez immédiatement l'alimentation en gaz.

ÉTAPE 02 Déterminez la cause et corrigez-la.

ÉTAPE 03 Nettoyer et inspecter la vanne, le tuyau et le régulateur.

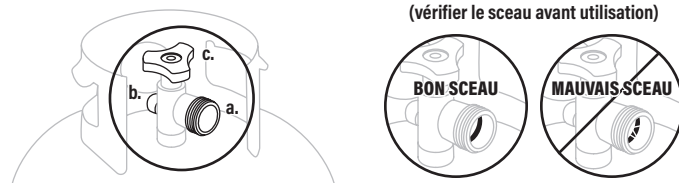
ÉTAPE 04 Effectuez un test de fuite.

EXIGENCES RELATIVES AUX BOUTEILLES DE 20 LB (9 KG)

- La bouteille d'alimentation en gaz GPL à utiliser doit être construite et marquée conformément aux spécifications pour les bouteilles de gaz GPL du département américain des Transports (DOT) ou de la CSA B339, selon le cas.
- Seules les bouteilles de GPL marquées « propane » doivent être utilisées.

LE ROBINET DE LA BOUTEILLE DE GPL DOIT AVOIR:

- Sortie de vanne type 1 (filetage extérieur).
- Soupape de sécurité.
- Dispositif de protection contre les débordements (OPD) homologué UL. Cette fonction de sécurité OPD est identifiée par un volant triangulaire unique.



Le joint de sortie de la vanne pourrait, avec le temps, présenter des dommages ou une détérioration marqués et visibles qui pourraient provoquer une fuite même avec le raccordement serré.

- Une inspection visuelle du joint doit être effectuée à chaque fois qu'une bouteille de GPL est remplacée ou remplie.
- Toute bouteille de GPL présentant des signes de dommage ou de détérioration comme ceux illustrés, notamment des fissures et des piqûres visibles, doit être retournée inutilisée au vendeur.

SÉCURITÉ DU RÉGULATEUR

- Utilisez cet appareil, tel qu'il a été acheté, uniquement avec le gaz et l'ensemble régulateur/vanne fournis. N'UTILISEZ PAS de raccords à connexion rapide ou d'autres modules complémentaires.
- NE PAS croiser le filetage (forcer à un angle inapproprié) la connexion entre votre bouteille de GPL et le régulateur.
- Si vous ne parvenez pas à connecter le régulateur, N'UTILISEZ PAS le régulateur.

Le régulateur doit être remplacé par un modèle approuvé par Blackstone par un revendeur agréé et agréé.

CONNECTER LA BOUTEILLE DE GPL

UTILISEZ UNIQUEMENT UN CYLINDRE DE 20 LB (9 KG)

ÉTAPE 01 Tournez les boutons de commande sur OFF.

Assurez-vous que la bouteille de GPL est éteinte en tournant le volant dans le sens des aiguilles d'une montre jusqu'à l'arrêt complet.

ÉTAPE 02 Tenir le régulateur en ligne droite avec la sortie de la vanne afin de NE PAS croiser le filetage du raccord.

1 Centrez et insérez le mamelon du régulateur dans la sortie de la vanne.

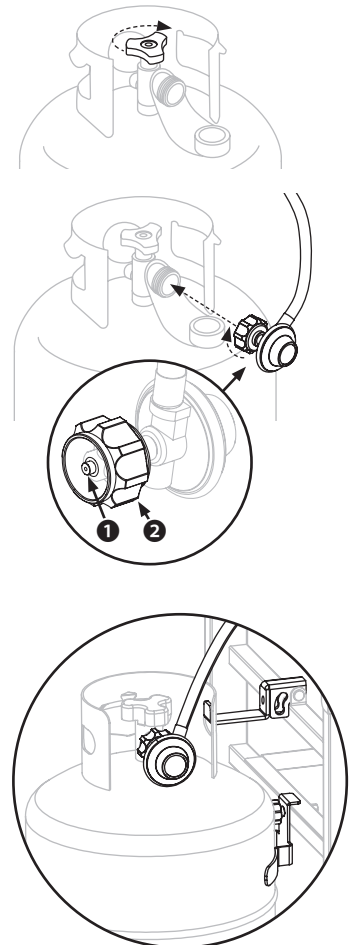
2 Serrez l'écrou d'accouplement à la main dans le sens des aiguilles d'une montre.

(N'UTILISEZ PAS d'outils pour vous connecter.)

Si la connexion ne peut pas être effectuée, débranchez le régulateur et répétez cette étape.

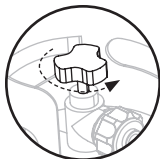
ÉTAPE 03 La soupape de sécurité doit être tournée vers l'utilisateur pendant que l'appareil est en cours d'utilisation.

Fixez la bouteille de GPL à l'appareil en l'accrochant au crochet GPL de manière à ce qu'elle s'emboîte contre le support GPL.



COMMENT ALLUMER LE GAZ:

Tournez le volant dans le sens antihoraire de 1 à 3 tours.



INSTRUCTIONS POUR LE TEST DE FUITE

- Testez les fuites des bouteilles de GPL neuves et remplacées AVANT de les connecter à l'appareil.
- Ne fumez pas pendant le test de fuite.
- N'UTILISEZ PAS de flamme nue pour vérifier les fuites de gaz.
- L'appareil doit être testé contre les fuites à l'extérieur dans un endroit bien ventilé, loin des sources d'inflammation telles que les appareils à gaz ou électriques.
- Pendant le test de fuite, gardez l'appareil à l'écart des flammes nues ou des étincelles.

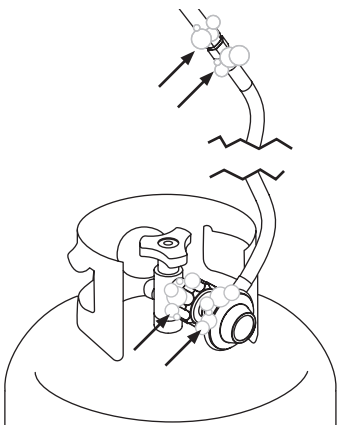
ÉTAPE 01 Coupez l'alimentation en gaz au niveau du robinet de la bouteille de gaz. Assurez-vous que les vannes des boutons de commande sont fermées.

Connectez le régulateur à la bouteille de GPL et ouvrez le gaz.

Si vous entendez un bruit précipité, coupez immédiatement le gaz. Il y a une fuite importante au niveau de la connexion.

ÉTAPE 02 Utilisez un pinceau propre pour appliquer une solution d'eau et de savon doux 10% sur les zones de jointure des vannes et du régulateur. Les fuites sont indiquées par des bulles croissantes.

ÉTAPE 03 Coupez immédiatement le gaz et resserrez les connexions.



⚠ AVERTISSEMENT

Si les fuites ne peuvent pas être arrêtées, N'ESSEYER PAS de réparer.

Le régulateur doit être remplacé par un modèle approuvé par Blackstone par un revendeur agréé et agréé.

REPLISSAGE ET ÉCHANGE

- Utilisez uniquement des sociétés d'échange réputées qui inspectent, remplissent avec précision, testent et certifient leurs bouteilles. Le revendeur de GPL doit purger la nouvelle bouteille avant de la remplir.
- Pour retirer le gaz de la bouteille de GPL, contactez un revendeur de GPL certifié ou les pompiers locaux pour obtenir de l'aide.
- Ne rejetez pas de gaz de pétrole liquéfié (GPL) dans l'atmosphère.

Votre détaillant peut vous aider à associer une bouteille de GPL de remplacement à votre appareil.

Le volume de propane dans la bouteille varie en fonction de la température.

⚠ AVERTISSEMENT

Un régulateur gelé indique un remplissage excessif de gaz. Fermez immédiatement le robinet de la bouteille de GPL et appelez votre revendeur GPL local pour obtenir de l'aide.

- Remplacez la bouteille uniquement par une bouteille équipée d'un dispositif de sécurité OPD.

STOCKAGE DES BOUTEILLES DE GPL

⚠ AVERTISSEMENT

- Ne stockez pas de bouteille de GPL de rechange sous, à proximité ou dans cet appareil.
- Ne remplissez pas une bouteille de GPL à plus de 80%. Si les informations ci-dessus ne sont pas respectées à la lettre, un incendie pouvant entraîner la mort ou des blessures graves peut survenir.

- La bouteille de GPL doit être éteinte lorsque l'appareil n'est pas utilisé.
- Les bouteilles de GPL doivent être stockées à l'extérieur et hors de portée des enfants.
- Ne stockez pas de bouteille de GPL à l'intérieur d'un bâtiment, d'un garage ou dans tout autre espace clos.
- Ne stockez pas une bouteille de GPL là où les températures peuvent atteindre plus de 122°F (50°C).

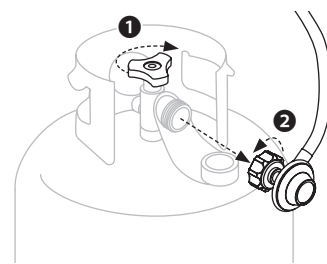
DÉBRANCHEMENT DE LA BOUTEILLE DE GPL

Le stockage de l'appareil à l'intérieur n'est autorisé que si la bouteille de GPL est débranchée et retirée de l'appareil.

ÉTAPE 01 Assurez-vous que les boutons de commande sont tournés sur OFF.

① Assurez-vous que la bouteille de GPL est éteinte en tournant le volant dans le sens des aiguilles d'une montre jusqu'à l'arrêt complet.

② Tournez manuellement l'écrou d'accouplement dans le sens inverse des aiguilles d'une montre pour retirer le régulateur. (N'UTILISEZ PAS d'outils pour déconnecter.)



Placez le capuchon anti-poussière sur la sortie du robinet de la bouteille lorsque la bouteille n'est pas utilisée. Installez uniquement le type de capuchon anti-poussière sur la sortie du robinet de la bouteille fourni avec le robinet de la bouteille. D'autres types de bouchons ou de bouchons peuvent entraîner une fuite de propane.



INSTRUCTIONS D'ALLUMAGE

1. CLAPETS ANTI-RETOUR

⚠ Assurez-vous que le gaz est COUPÉ avant de vérifier les vannes de l'appareil.

ÉTAPE 01 Tournez tous les boutons en position ❶ d'arrêt.

ÉTAPE 02 Appuyez sur le bouton et relâchez. Le bouton devrait revenir en arrière.

Si les boutons ne reviennent pas, remplacez l'assemblage de la valve avant d'utiliser l'appareil.

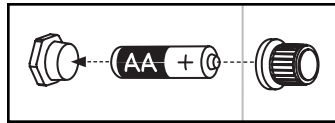
ÉTAPE 03 Tournez le bouton sur LOW puis remettez-le sur OFF. Le bouton doit tourner en douceur.

ÉTAPE 04 Connectez et ouvrez le gaz, le cas échéant.
(Veuillez vous référer à la section sur le raccordement au gaz.)

2. ALLUMAGE ALIMENTÉ PAR BATTERIE

ÉTAPE 01 Insérez une (1) pile AA (non incluse) sous le bouton d'allumage.

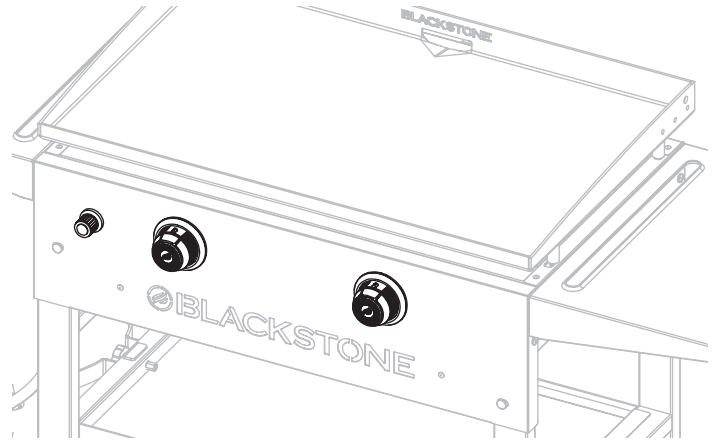
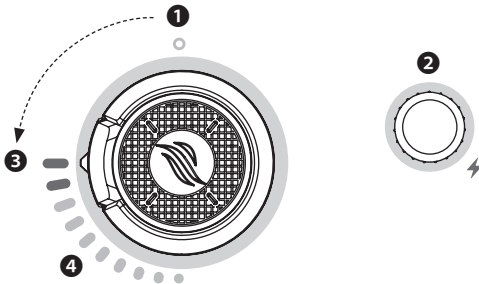
Visser le bouton en place sur la borne positive.



Nettoyez les contacts de la batterie et de l'appareil avant d'installer la batterie.

ÉTAPE 02

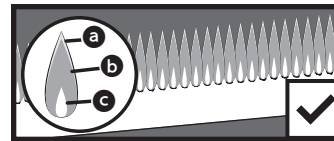
- ❷ Appuyez sur le bouton d'allumage et maintenez-le enfoncé.
- ❸ Poussez et tournez le bouton de commande dans le sens inverse des aiguilles d'une montre jusqu'à HAUT.
(Lâchez le bouton d'allumage lorsque le brûleur s'allume.)
- ❹ Réglez la température au niveau souhaité.



3. VÉRIFIEZ TOUJOURS LA FLAMME DU BRÛLEUR AVANT UTILISATION.

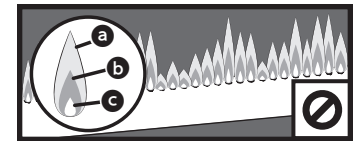
Allumez les brûleurs et regardez sous la surface de cuisson pour voir les brûleurs. Lorsque le bouton est sur HIGH, les flammes doivent être plus grandes que lorsque le bouton est sur LOW.

MODÈLE DE FLAMME SAIN



- a Des scintillement de jaune.
- b Bleu foncé.
- c Bleu vif.

JAUNE OU IRRÉGULIER



Si les flammes sont jaunes ou irrégulières, veuillez vous référer au chapitre Dépannage.

⚠ AVERTISSEMENT

Si le brûleur ne s'allume pas avec la vanne d'alimentation en gaz ouverte, le gaz continuera à s'écouler du brûleur et pourrait s'enflammer accidentellement/par inadvertance avec un risque de blessure.

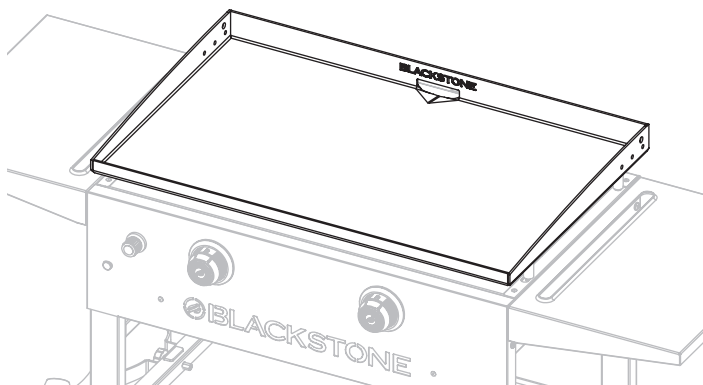
Si l'allumage ne se produit pas dans les 5 secondes:

1. Éteignez le bouton de commande du brûleur.
2. Attends 5 minutes.
3. Répétez la procédure d'éclairage.

Si le brûleur ne s'allume pas, veuillez vous référer au chapitre Dépannage.



INSTRUCTIONS D'ASSAISONNEMENT POUR PLAQUE CHAUFFANTE



FRANÇAIS

LAVER LE DESSUS DE VOTRE PLANCHA AVANT LA PREMIÈRE UTILISATION

AVIS

Le savon ruinerait une plaque chauffante assaisonnée. C'est la seule fois où vous devez utiliser du savon sur la surface de cuisson de la plaque chauffante.

ÉTAPE 01 Lavez la surface de cuisson de la plaque chauffante avec de l'eau chaude savonneuse.

ÉTAPE 02 Rincez et séchez complètement.

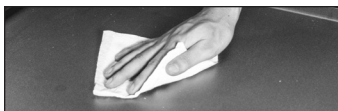
ASSAISONNER VOTRE PLANCHA



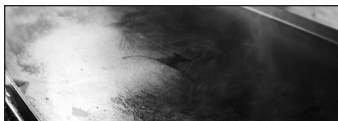
DIDACTICIEL VIDÉO

Comment assaisonner une nouvelle plaque chauffante Blackstone
[youtube.com/watch?v=VspmDVnj2pl&t=3s](https://www.youtube.com/watch?v=VspmDVnj2pl&t=3s)

ÉTAPE 01 Essuyez tous les débris du dessus de la plaque chauffante.



ÉTAPE 02 Réglez votre plaque chauffante à feu vif jusqu'à ce que le dessus de votre plaque chauffante change de couleur. (~10 minutes)

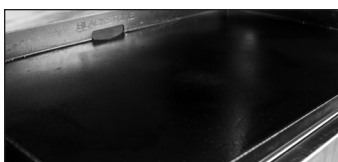


ÉTAPE 03 Utilisez des pinces pour tenir une serviette en papier ou un chiffon en coton et étalez 2 à 3 cuillères à soupe de votre huile d'assaisonnement sur tout le dessus de la plaque chauffante.

Lorsque vous assaisonnez le dessus de votre plaque chauffante, n'oubliez pas d'utiliser une couche d'huile fine et uniforme - plus la couche d'huile est fine, plus il sera facile de la brûler.



ÉTAPE 04 Le dessus de la plaque chauffante est prêt pour une autre couche d'huile lorsqu'il cesse de fumer. Répétez **L'ÉTAPE 03** 3 à 4 fois ou jusqu'à ce que la surface de la plaque chauffante soit noire.



AVIS

Ne rangez aucun objet à moins de 8 cm (3 po) du dessus de la plaque chauffante pendant son utilisation.

QUELLE HUILE EST PRÉFÉRABLE D'UTILISER?

- Blackstone Seasoning and Cast Iron Conditioner.
- Toute huile de cuisson à base de plantes.
- Graisse animale fondue sans additifs.



ATTENTION

Jetez correctement les chiffons/serviettes utilisés pour répandre l'huile sur votre plaque chauffante afin d'éviter les incendies qui pourraient survenir en raison d'une combustion spontanée.

Dans de bonnes conditions, l'huile résiduelle sur les chiffons ou les serviettes peut s'oxyder longtemps après avoir été retirée d'une source de chaleur. Le processus d'oxydation lui-même produit de la chaleur qui, si elle n'est pas dissipée, peut s'accumuler et provoquer l'inflammation des chiffons/serviettes et des matériaux environnants.

DÉPANNAGE DE L'ASSAISONNEMENT

IL Y A UN RÉSIDU BRUNÂTRE SUR LA SURFACE DE LA PLAQUE CHAUFFANTE:

CAUSES POSSIBLES

- Trop d'huile a été utilisée.
- Vous avez éteint le chauffage trop tôt.

LA SOLUTION

ÉTAPE 01 Allumez votre plaque chauffante à feu vif et laissez-la chauffer pendant 10 à 15 minutes.

ÉTAPE 02 Grattez autant que possible l'huile épaissie et partiellement cuite.

ÉTAPE 03 Réassaisonnez avec une très fine couche d'huile.

LES BORDS DE LA SURFACE DE LA PLAQUE CHAUFFANTE NE SONT PAS NOIRS:

Après avoir utilisé votre plaque chauffante pour plusieurs cuisiniers, l'assaisonnement s'uniformisera et s'améliorera.

PRÉVENTION DE LA ROUILLE

Utilisez fréquemment votre plancha. Chaque fois que vous cuisinez, vous ajoutez de l'assaisonnement, ce qui rend la rouille moins probable.

AVIS

Si vous vivez dans un climat humide ou côtier, votre plancha peut nécessiter des assaisonnements plus fréquents entre les utilisations.

Si de la rouille apparaît sur la surface de la plaque chauffante, frottez-la avec de la laine d'acier, du papier de verre à faible grain ou la **Blackstone Pumice Stone** et ré-assaisonnez la surface.



DIDACTICIEL VIDÉO

Récupération de votre plaque chauffante Blackstone
[youtube.com/watch?v=thPE2IgnSil](https://www.youtube.com/watch?v=thPE2IgnSil)





CUISINER SUR VOTRE BLACKSTONE

⚠ ATTENTION

Cet appareil sera chaud pendant et après son utilisation. Utilisez des ustensiles à long manche et des gants de cuisine/de protection lorsque vous manipulez des pièces potentiellement chaudes, y compris les poignées proches du corps de l'appareil, pour vous protéger contre les brûlures et les éclaboussures.

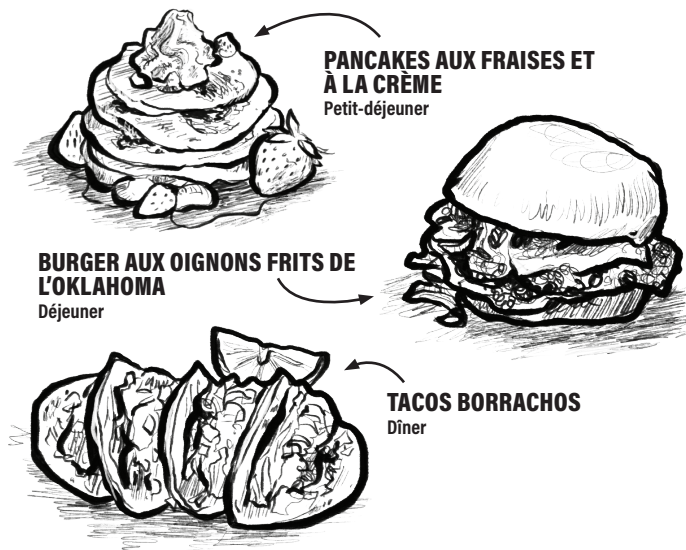
RECETTES VIDÉO

Trouvez des recettes et des conseils de cuisine sur:

🌐 BlackstoneProducts.com/recipes

📺 youtube.com/BlackstoneGriddles

📱 @blackstoneproducts



NETTOYER LE DESSUS DE VOTRE PLANCHA

Nettoyez le dessus de la plaque chauffante après chaque utilisation, pendant qu'il est encore chaud.

• N'UTILISEZ PAS de savon sur le dessus de la plaque chauffante. Cela détruira l'assaisonnement de la plaque chauffante.



DIDACTICIEL VIDÉO

Comment nettoyer votre plaque chauffante Blackstone
 ▶ youtube.com/watch?v=-ledu9z6NPY

ÉTAPE 01 Poussez les débris alimentaires dans le bac à graisse avec une spatule ou un grattoir métallique droit.



ÉTAPE 02 Essuyez le dessus de la plaque chauffante avec une serviette en papier ou un tampon à récurer Blackstone.



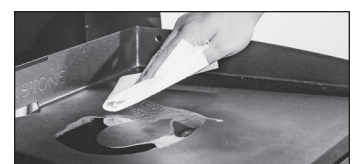
ÉTAPE 03 Appliquez quelques cuillères à soupe d'eau sur la surface de la plaque chauffante, puis raclez l'eau et les débris dans le bac à graisse. (Pour les résidus alimentaires collés, utilisez un peu de gros sel.)



ÉTAPE 04 Essuyez à nouveau avec une serviette en papier et séchez complètement.



ÉTAPE 05 Appliquez une fine couche d'huile de cuisson pour maintenir l'assaisonnement et protéger le dessus de la plaque chauffante.



VIDEZ VOTRE GODET À GRAISSE

Le bac à graisse doit être retiré et vidé après chaque utilisation.

Remarque: En vous assurant que votre plaque chauffante est sur un sol plat, la graisse et l'eau s'écouleront vers l'orifice de graissage arrière.

⚠ ATTENTION

Le bac à graisse sera chaud pendant et après l'utilisation. Ne retirez pas le bac à graisse tant que la plaque chauffante n'est pas complètement refroidie.



ENTRETIEN ET MAINTENANCE

⚠ AVERTISSEMENT

L'accumulation de graisse peut provoquer un incendie. Nettoyez toute partie de l'appareil qui devient chaude et qui subit une accumulation de graisse après chaque utilisation.

⚠ ATTENTION

Tout le nettoyage et l'entretien doivent être effectués lorsque l'appareil est froid et que tout est éteint.

- N'UTILISEZ PAS de tampon abrasif sur les zones comportant des graphiques.
- Si une brosse à poils est utilisée pour nettoyer l'une des surfaces de cuisson, assurez-vous qu'aucun poil lâche ne reste sur les surfaces de cuisson avant la cuisson.

CORPS DE L'APPAREIL:

Laver à l'eau tiède savonneuse et essuyer immédiatement avec un chiffon non abrasif. (Ne laissez pas les agents de nettoyage reposer sur une surface poreuse pendant une période prolongée.)

AVIS

N'UTILISEZ PAS de Citrisol, de nettoyants abrasifs ou de nettoyant concentré sur l'appareil. Cela peut entraîner des dommages et une défaillance des pièces.

STOCKAGE D'APPAREILS

⚠ AVERTISSEMENT

Ne déplacez pas l'appareil pendant son utilisation. Laissez l'appareil refroidir à 115°F (45°C) avant de le déplacer ou de le ranger.

Couvrez votre appareil avec une housse rigide ou souple ou un sac de transport (le cas échéant) lorsqu'il est stocké à l'extérieur. NE PAS stocker là où l'eau s'accumule.



TROUVER MA COUVERTURE

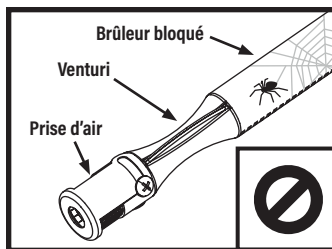
BlackstoneProducts.com

- Couvertures
- Porter des sacs

NETTOYAGE DE L'ENSEMBLE BRÛLEUR

Les araignées et les insectes peuvent nicher à l'intérieur et obstruer le brûleur/ tube venturi au niveau de l'orifice.

Pour réduire les risques de « retour de flamme », la procédure ci-dessous doit être suivie au moins une fois par mois lorsque les araignées sont les plus actives ou lorsque votre appareil n'a pas été utilisé pendant une période de temps.



⚠ AVERTISSEMENT

Un brûleur obstrué peut provoquer un incendie sous l'appareil.

Le brûleur doit être retiré et nettoyé chaque fois que des blocages sont détectés.



DIDACTICIEL VIDÉO

Comment nettoyer votre tube de brûleur
[youtube.com/watch?v=xKQTCrFCzf8](https://www.youtube.com/watch?v=xKQTCrFCzf8)

ÉTAPE 01 Assurez-vous que le gaz est éteint au niveau des boutons de commande et de l'alimentation en gaz. Retirez le dessus de la plaque chauffante.

ÉTAPE 02 Détachez et retirez soigneusement le brûleur.



ÉTAPE 03 Nettoyez l'intérieur du brûleur:

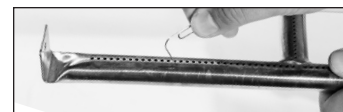
- Passez plusieurs fois une brosse à bouteille étroite dans le brûleur. (NE PAS utiliser de brosses métalliques)
- Utilisez de l'air comprimé pour souffler le brûleur. (Porter des lunettes de protection)



ÉTAPE 04 Brossez toute la surface extérieure du brûleur pour enlever la saleté.

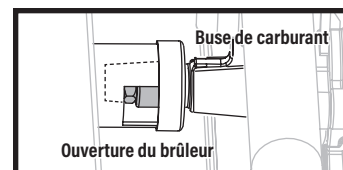


ÉTAPE 05 Nettoyez tous les ports bloqués avec un fil rigide tel qu'un trombone ouvert.



ÉTAPE 06 Remplacez soigneusement les brûleurs et rattachiez-les, en faisant attention à l'emplacement de l'aiguille d'allumage.

⚠ La buse de carburant de la rampe de gaz doit être réengagée dans l'ouverture du brûleur.





DÉPANNAGE

DÉPANNAGE D'ALLUMAGE

LE BRÛLEUR NE S'ALLUME PAS:

Si l'allumage ne se produit pas dans les 5 secondes:

ÉTAPE 01 Éteignez le bouton de commande du brûleur.

ÉTAPE 02 Attendez 5 minutes.

ÉTAPE 03 Répétez la procédure d'allumage.

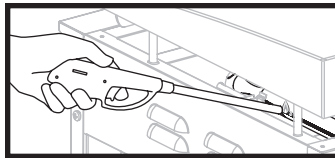
Si cela ne fonctionne pas, pour en déterminer la cause, essayez d'allumer votre appareil avec une allumette.

INSTRUCTIONS D'ALLUMAGE DES ALLUMETTES

Avant de commencer, vérifiez les fuites de gaz. Ouvrez le capot (le cas échéant).

ÉTAPE 01 Tourner le bouton de commande en position OFF.

ÉTAPE 02 Allumez une allumette (ou un long briquet) d'au moins 11 pouces de long.

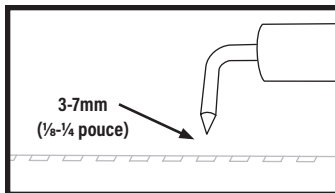


ÉTAPE 03 Placez la flamme sur le côté droit ou gauche du brûleur.

ÉTAPE 04 Poussez et tournez le bouton de commande pour faire couler le gaz. Assurez-vous que le brûleur s'allume et reste allumé.

SI VOUS POUVEZ ALLUMER VOTRE APPAREIL AVEC UNE ALLUMETTE:

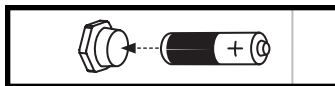
| CAUSES POSSIBLES | LA SOLUTION |
|----------------------------|---|
| Fil d'allumage mal aligné. | Assurez-vous que l'aiguille de l'allumeur est positionnée à 3-7 mm (1/8-1/4 pouce) du brûleur et alignée avec les trous du brûleur. |



| | |
|---------------------------------|--|
| Dommages au système d'allumage. | Contactez le service client pour les pièces de rechange. |
|---------------------------------|--|

| | |
|---------------------------------|--------------------------------------|
| Batterie morte / mal installée. | Remplacez par une nouvelle batterie. |
|---------------------------------|--------------------------------------|

Pour le recyclage et l'élimination des piles afin de protéger l'environnement, veuillez consulter Internet ou votre annuaire téléphonique local pour connaître les centres de recyclage locaux et/ou suivre les réglementations gouvernementales locales.



- Assurez-vous que la batterie est installée correctement en ce qui concerne la polarité (+ et -).
- Retirez les piles des équipements qui ne doivent pas être utilisés pendant une période prolongée.
- Retirez rapidement les piles usagées.

SI VOUS NE PARVEZ PAS À ALLUMER VOTRE APPAREIL AVEC UNE ALLUMETTE:

| CAUSES POSSIBLES | LA SOLUTION |
|---|---|
| Les tubes de brûleur ne reçoivent pas de combustible. | Nettoyez l'ensemble du brûleur pour éliminer l'obstruction. |

DÉPANNAGE DU DÉBIT DE GAZ

L'APPAREIL N'ATTEINDRA PAS UNE CHALEUR ÉLEVÉE OU CHAUFFERA DE MANIÈRE INÉGALE :

- Les flammes du brûleur sont jaunes ou irrégulières.
- Les flammes du brûleur commencent à être fortes, puis chutent immédiatement au niveau bas même lorsque le brûleur est réglé en position haute.
- La hauteur de la flamme diminue lorsqu'un deuxième brûleur est allumé.
- Les flammes ne s'étendent pas sur toute la longueur du brûleur ou ne circulent que d'un côté du brûleur.
- Les flammes du brûleur sont irrégulières.

| CAUSES POSSIBLES | LA SOLUTION |
|---|---|
| Obstructions dans le brûleur, les jets de gaz ou la rampe de carburant. | Nettoyez le brûleur, les jets et le tuyau de gaz. |
| La bouteille de gaz est vide ou presque vide. | Remplissez ou remplacez la bouteille de gaz. |
| Le limiteur de débit du régulateur s'est déclenché. | Réinitialisez le système de sécurité: |

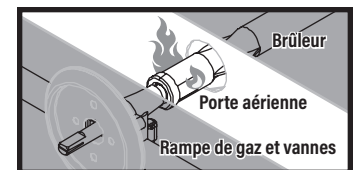
ÉTAPE 01 Éteignez l'appareil, fermez le robinet de la bouteille de gaz et débranchez le régulateur de la bouteille de gaz.

ÉTAPE 02 Attendez cinq minutes pour permettre à la pression de se dissiper, puis rebranchez le régulateur à la bouteille de gaz et ouvrez lentement le volant de la bouteille de gaz d'un à trois tours.

ÉTAPE 03 Allumez votre appareil.

| | |
|---|--|
| Détendeur bloqué en position de sécurité. | Contactez le service client pour les pièces de rechange. |
|---|--|

- Une flamme sort de la grille d'aération.



| CAUSES POSSIBLES | LA SOLUTION |
|--|---|
| Quelque chose bloque le venturi dans le tube du brûleur. | Nettoyez l'ensemble du brûleur pour éliminer l'obstruction. |



SERVICE CLIENT

CONTACTEZ-NOUS

Pour toutes questions, demandes de renseignements ou assistance client, veuillez contacter:

ÉTATS-UNIS ET CANADA

BlackstoneProducts.com/support

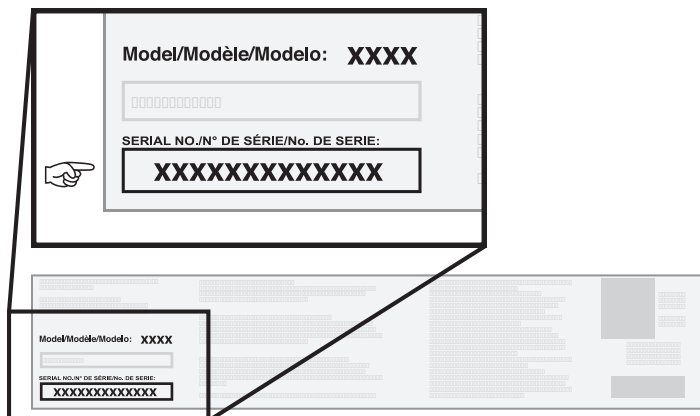
- Du lundi au vendredi | 7h00 - 17h00 (MST/MDT)
- Anglais et Espagnol

Veuillez nous contacter avant de retourner cet appareil à votre revendeur.

EMPLACEMENT DU NUMÉRO DE SÉRIE

Pour activer votre garantie, vous devrez fournir le numéro de série de votre appareil.

Le numéro de série se trouve sur l'étiquette du fabricant de votre appareil. (L'étiquette du fabricant est un grand autocollant argenté apposé sur le corps de votre appareil.)



GARANTIE UN AN

North Atlantic Imports, LLC garantit ce produit contre les défauts de matériaux et de fabrication pendant une période d'un (1) an à compter de la date d'achat originale dans des conditions normales d'utilisation. Dans la mesure où de tels défauts se produisent, North Atlantic Imports, LLC, à sa discrétion, fournira gratuitement la ou les pièces de remplacement appropriées.

En aucun cas North Atlantic Imports, LLC ne sera responsable des dommages consécutifs, indirects ou accessoires résultant de l'installation, de l'utilisation ou de la défaillance du produit.

Cette garantie NE couvre PAS:

- Frais d'inspection ou de main d'œuvre pour le remplacement de toute pièce défectueuse;
- Défauts cosmétiques qui n'affectent pas les performances ou l'intégrité du produit;
- L'usure normale;
- Dommages dus au vandalisme ; les catastrophes naturelles, y compris, mais sans s'y limiter, le vent, les tempêtes, la grêle et les inondations;
- Un assemblage, une installation ou une utilisation inappropriés;
- Décoloration ou décoloration de la finition résultant d'une exposition à des produits chimiques, à des déversements, à l'eau de piscine ou à l'eau salée;
- Corrosion/rouille.

Ce produit a été conçu pour la sécurité et la qualité. Toute modification apportée au produit d'origine pourrait compromettre son intégrité structurelle ou sa fonction et entraîner une défaillance du produit ou des blessures. En tant que tel, la modification de ce produit annule toutes les garanties.

Ce produit est destiné à un USAGE RÉSIDENTIEL UNIQUEMENT et n'est pas destiné à des fins commerciales, contractuelles ou autres fins non résidentielles. North Atlantic Imports, LLC décline toute autre représentation et garantie de quelque nature que ce soit, expresse ou implicite.

La garantie s'applique à l'acheteur d'origine et n'est pas transférable. Elle ne s'applique pas aux accessoires ou pièces non fournis avec le produit, aux achats de modèles d'exposition ou aux produits vendus en liquidation ou « tels quels ». Vous pouvez cependant bénéficier d'autres droits légaux spécifiques basés sur les lois de votre état ou pays de résidence.

Pour activer votre garantie, enregistrez votre produit sur BlackstoneProducts.com/register

North Atlantic Imports, LLC se réserve le droit de changer ou de modifier cette garantie à tout moment.





Cette page a été intentionnellement laissée vierge



Cette page a été intentionnellement laissée vierge





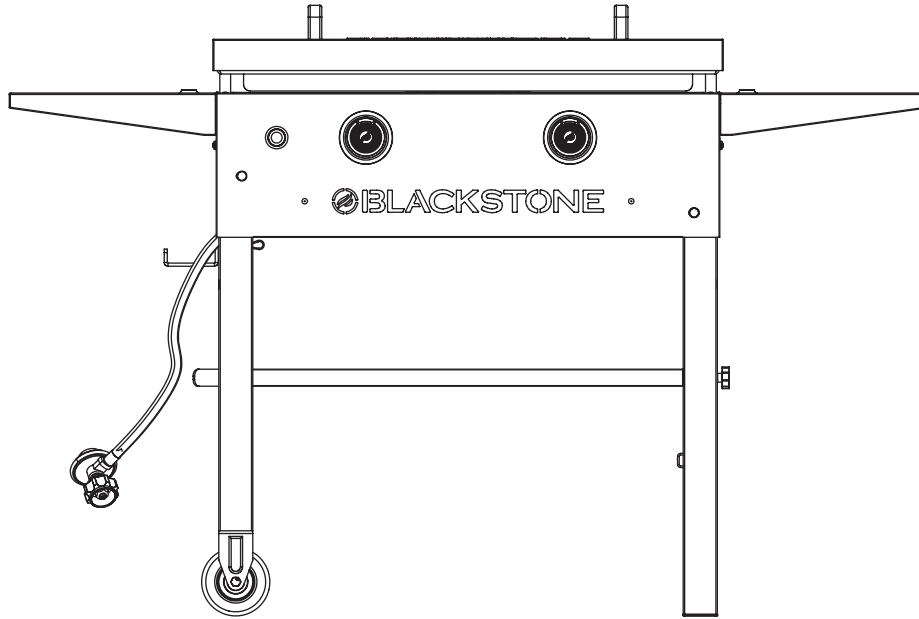
Cette page a été intentionnellement laissée vierge





Ce produit peut être couvert par un ou plusieurs brevets américains et/ou internationaux délivrés et peut inclure des demandes de brevet en instance. Pour plus d'informations, rendez-vous sur: BlackstoneProducts.com/patents





MANUAL DEL PROPIETARIO

PLANCHA DE 28" CON TAPA DURA

TABLA DE CONTENIDO

| | |
|---|----|
| INFORMACION DE SEGURIDAD IMPORTANTE | 02 |
| GUÍA DE MONTAJE..... | 04 |
| INSTRUCCIONES DE OPERACIÓN | 09 |
| SOLUCIÓN DE PROBLEMAS..... | 15 |
| ATENCIÓN AL CLIENTE..... | 16 |



Última versión del manual:
BlackstoneProducts.com/support

IMPORTANTE:

Este manual de instrucciones contiene información importante necesaria para el correcto montaje y uso seguro del aparato.

Lea y siga todas las advertencias e instrucciones antes de ensamblar y usar el aparato.

Siga todas las advertencias e instrucciones cuando utilice el aparato.

Guarde este manual para referencia futura.

Instalador/Ensamblador: Deje estas instrucciones con el consumidor.

CLAVE DE ALERTA DE SEGURIDAD

⚠ PELIGRO

Indica una situación peligrosa que, si NO SE evita, provocará la muerte o lesiones graves.

⚠ ATENCIÓN

Indica una situación peligrosa que, si NO SE evita, podría provocar lesiones leves o moderadas.

⚠ ADVERTENCIA

Indica una situación peligrosa que, si NO SE evita, podría provocar la muerte o lesiones graves.

AVISO

Indica información que se considera importante, pero no relacionada con peligros (por ejemplo, mensajes relacionados con daños a la propiedad).

INFORMACION DE SEGURIDAD IMPORTANTE

SEGURIDAD DE LOS APARATOS DE GAS

⚠ PELIGRO

Si huele a gas:

- Cierre el suministro de gas al aparato.
- Apague cualquier llama abierta.
- Abra el capó (si corresponde).
- Si el olor continúa, manténgase alejado del aparato y llame inmediatamente a su proveedor de gas o al departamento de bomberos.

El incumplimiento de estas instrucciones podría provocar incendios o daños a la propiedad, lesiones personales o la muerte.

⚠ ADVERTENCIA

- No almacene ni use gasolina u otros líquidos o vapores inflamables cerca de este o cualquier otro aparato.
- Un cilindro de GLP que no esté conectado para su uso no debe almacenarse cerca de este ni de ningún otro aparato.

LA INSTALACIÓN DEBE CUMPLIR CON LOS CÓDIGOS LOCALES.

En ausencia de códigos locales, la instalación debe cumplir con ANSI Z223.1/NFPA 54, CSA B149.1 o CSA B149.2.

⚠ PELIGRO

- **NUNCA opere este aparato sin supervisión.**
 - Si ocurriera un incendio, manténgase alejado del aparato y llame inmediatamente a los bomberos. **NO INTENTE extinguir un incendio de aceite o grasa con agua.**
- El incumplimiento de estas instrucciones podría provocar incendios o daños a la propiedad, lesiones personales o la muerte.

⚠ PELIGRO



PELIGRO DE MONÓXIDO DE CARBONO

Este aparato puede producir monóxido de carbono, que es venenoso y no tiene olor.

Usarlo en un espacio cerrado puede matarte.

NUNCA utilice este aparato en un espacio cerrado como una caravana, una tienda de campaña, un automóvil o una casa.

⚠ PELIGRO

Los artículos inflamables pueden arder si se colocan cerca del aparato.

Mantenga el área del electrodoméstico despejada y libre de materiales combustibles, envases de aerosol, gasolina y otros vapores y líquidos inflamables.

⚠ ADVERTENCIA

La instalación, uso, ajuste, alteración, servicio, modificación o mantenimiento inadecuados pueden causar daños a la propiedad, lesiones graves o la muerte. Consulte este manual.

- El uso de alcohol, medicamentos recetados o de venta libre puede afectar la capacidad del consumidor para ensamblar correctamente u operar de manera segura el electrodoméstico.
- Mantenga a los niños y las mascotas alejados del aparato en todo momento.
- Tenga a mano un extintor de incendios tipo BC o ABC.
- NO LO USE para fines distintos a los previstos.
- Sólo para uso doméstico en exteriores, no para uso comercial.
- NO UTILICE este aparato como calentador.



CONFIGURACIÓN DE SU ESPACIO AL AIRE LIBRE

ESTE APARATO SÓLO DEBE UTILIZARSE AL AIRE LIBRE SOBRE UNA SUPERFICIE NIVELADA.

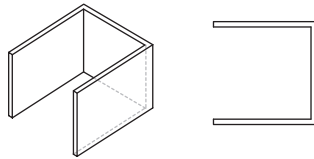
- NO USE este aparato dentro de edificios, garajes o cualquier otra área cerrada.
- NO INSTALE este aparato dentro o sobre un barco.
- NO INSTALE este aparato dentro o sobre un vehículo recreativo.

ÁREAS AL AIRE LIBRE PROTEGIDAS:

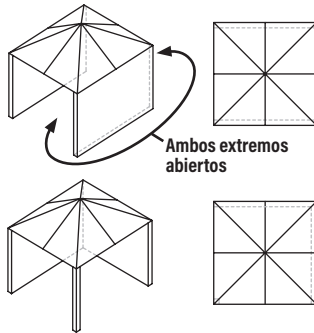
Todas las aberturas deben estar permanentemente abiertas; Las puertas correizas, las puertas de garaje, las ventanas o las aberturas con mosquitero NO SE consideran aberturas permanentes.

Se considera que un electrodoméstico está al aire libre si se instala con una protección que no exceda de:

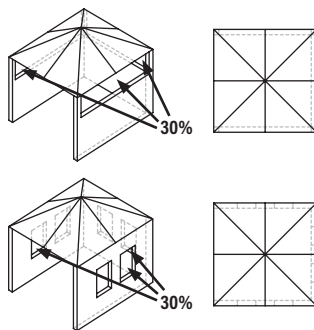
- a. Con paredes en tres lados, pero sin cubierta superior.



- b. Dentro de un recinto parcial que incluye una cubierta superior y no más de dos paredes laterales. Las paredes laterales pueden ser paralelas, como en un corredor, o en ángulo recto entre sí.



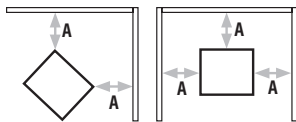
- c. Dentro de un recinto parcial que incluye una cubierta superior y tres paredes laterales, siempre que el 30% o más de la periferia horizontal del recinto esté permanentemente abierta.



La temperatura ambiente mínima de funcionamiento es 0°F (-18°C).

ANTENGA LAS DISTANCIAS ADECUADAS DEL MATERIAL COMBUSTIBLE:

- NO USE este electrodoméstico sobre o debajo de ningún apartamento o balcón o terraza de condominio.
- No obstruya el flujo de aire de combustión y ventilación.



NO OPERE este aparato a menos de 36 pulgadas (1 m) desde los lados y la parte trasera del aparato hasta una construcción combustible.

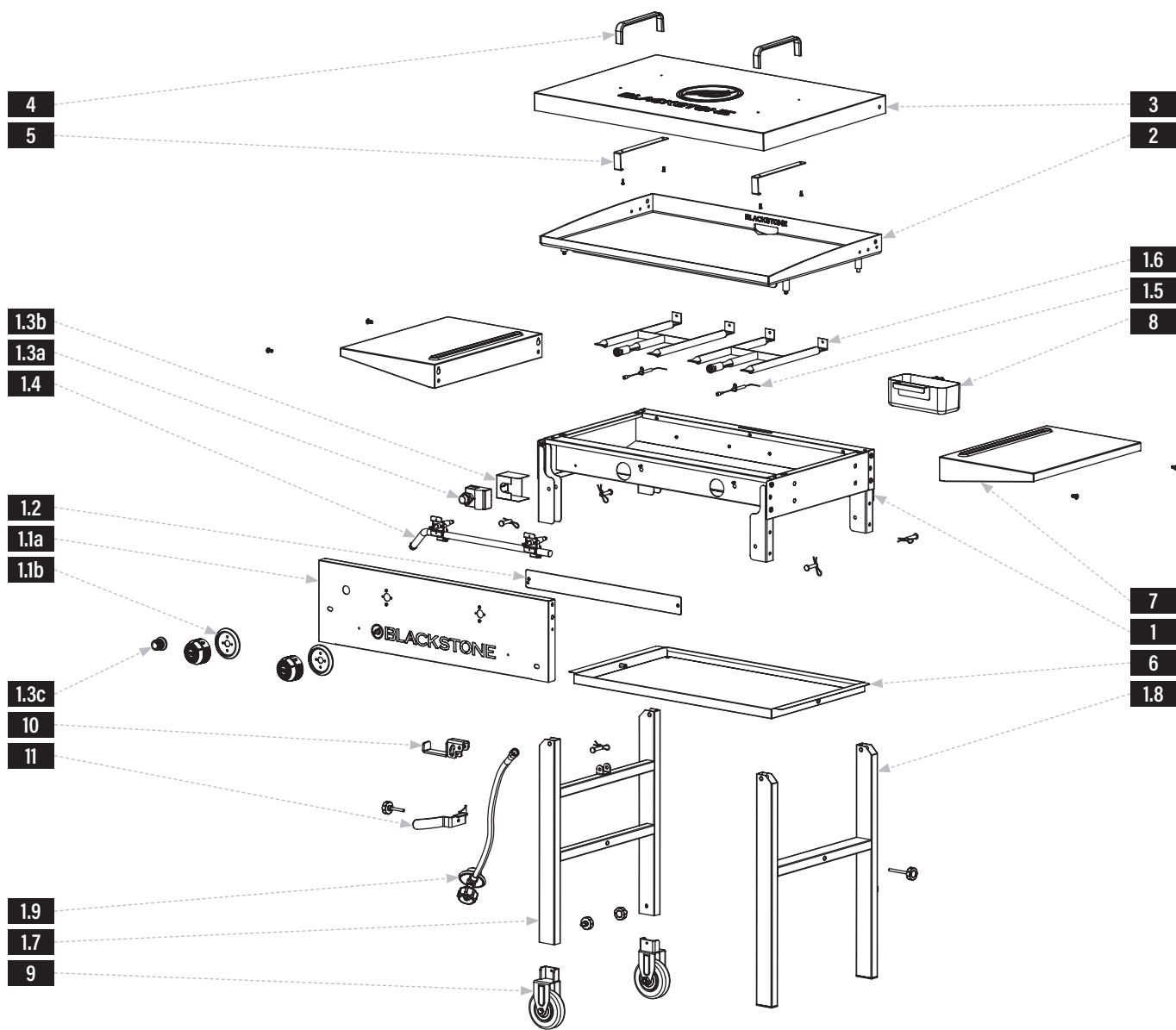
A = 36 pulgadas (1 m)

- NO UTILICE este aparato bajo construcciones combustibles elevadas.



GUÍA DE MONTAJE

VISTA EN DESPIECE ORDENADO



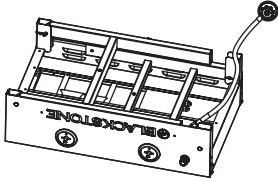
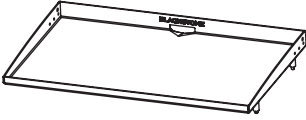

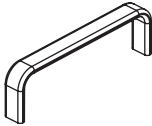
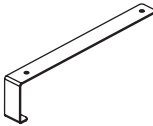

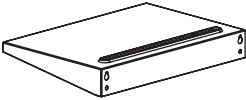
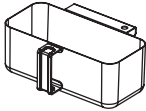
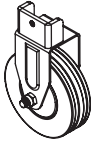
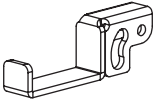
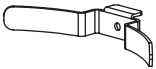
ESPAÑOL

LISTA DE PARTES

| PIEZAS | CTD | PIEZAS | CTD | PIEZAS | CTD | PIEZAS | CTD | | | | |
|--------|------------------------------------|--------|------|-----------------------------|-----|--------|---------------------|---|-----|--------------------------------|---|
| 1.1a | Panel de control | 1 | 1.3a | Encendedor | 1 | 1.4 | Riel de gas | 1 | 1.7 | Montaje de la pierna izquierda | 1 |
| 1.1b | Biseles de las perillas de control | 2 | 1.3b | Escudo térmico de encendido | 1 | 1.5 | Agujas de encendido | 2 | 1.8 | Montaje de la pierna derecha | 1 |
| 1.2 | Panel de fondo | 1 | 1.3c | Botón de encendido | 1 | 1.6 | Quemadores H | 2 | 1.9 | Regulador | 1 |

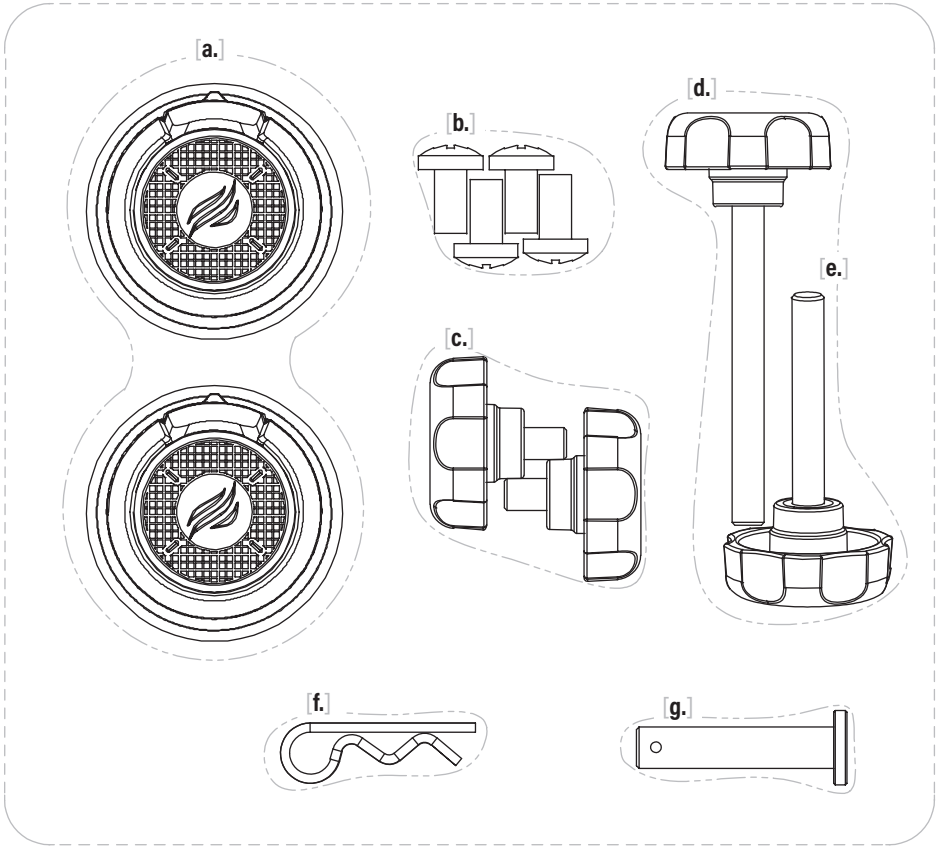




| | | | | |
|--|---|---|---|--|
| <p>1 Cuerpo (1 pieza)</p>  | <p>2 Plancha superior (1 pieza)</p>  | <p>3 Tapa dura (1 pieza)</p>  | | |
| <p>4 Mangos de tapa dura (2 piezas)</p>  | <p>5 Ganchos de tapa dura (2 piezas)</p>  | <p>6 Estante estabilizador (1 pieza)</p>  | | |
| <p>7 Estantes laterales (2 piezas)</p>  | <p>8 Copa de grasa (1 pieza)</p>  | <p>9 Ruedas (2 piezas)</p>  | <p>10 Gancho GLP (1 pieza)</p>  | <p>11 Soporte GLP (1 pieza)</p>  |

12 Paquete de hardware (1 pieza)

- a. Perillas de control (2 piezas)
- b. Tornillos M6x12 (4 piezas)
- c. Tornillos de mariposa pequeños (2 piezas)
- d. Tornillo de mano grande (1 pieza)
- e. Tornillo de mariposa mediano (1 pieza)
- f. Pasador de chaveta (1 pieza)
- g. Pasador de seguridad (1 pieza)



ESPAÑOL



INSTRUCCIONES DE MONTAJE

Encuentre un área grande y limpia para ensamblar su electrodoméstico.
Retire todo el material de embalaje antes de ensamblar.

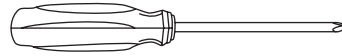
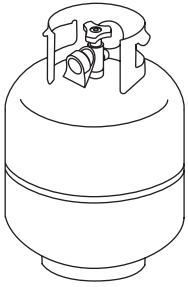
⚠ ATENCIÓN

Bordes afilados. Use guantes durante el montaje.

⚠ ATENCIÓN

Piezas pesadas. Dos personas deben armar este aparato.

Tiempo de montaje: ~30 min



NO INCLUIDO:

Cilindro de GLP
Tamaño: 45 x 30 cm (18 x 12 pulgadas),
9 kg (20 libras)

El cilindro de GLP debe incluir un collar para proteger la válvula del cilindro de GLP.

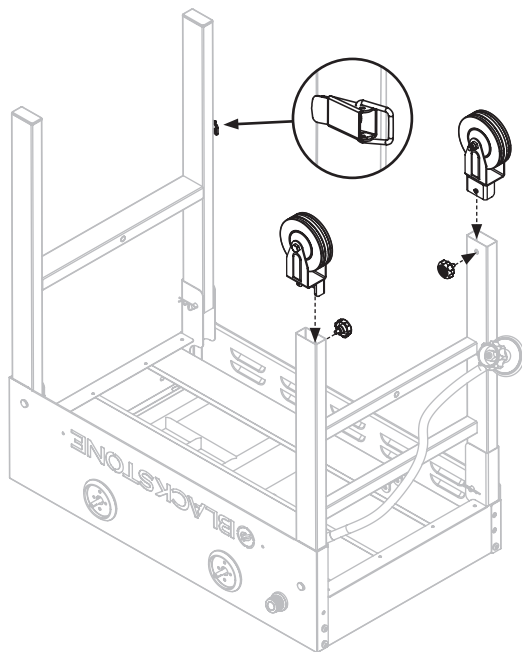
NO INCLUIDO:

Pila AA

HERRAMIENTA NECESARIA:

Destornillador de cabeza Phillips n.º 3

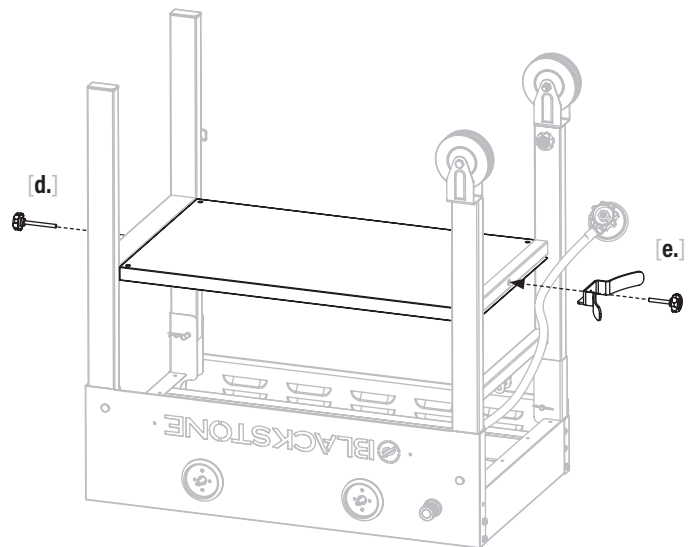
PASO 01 Con la ayuda de otra persona, retire el cuerpo de la plancha del empaque y colóquelo boca abajo sobre una superficie lisa y plana. Desenganche y despliegue las patas a su posición vertical, luego use dos (2) tornillos pequeños [c.] para sujetar las dos (2) ruedas a los extremos del conjunto de la pata izquierda.



PASO 02 1 Use un (1) tornillo de mano grande [d.] para sujetar el estante estabilizador al ensamblaje de la pata derecha.

2 Use un (1) tornillo de mariposa mediano [e.] para sujetar el soporte de GLP y el estante estabilizador al ensamblaje de la pata izquierda.

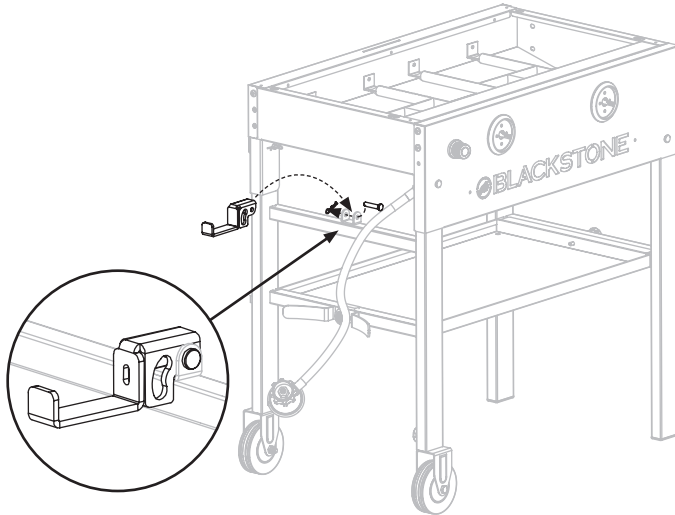
Nota: Este estante es parte integral de la estabilidad del electrodoméstico mientras está en uso.



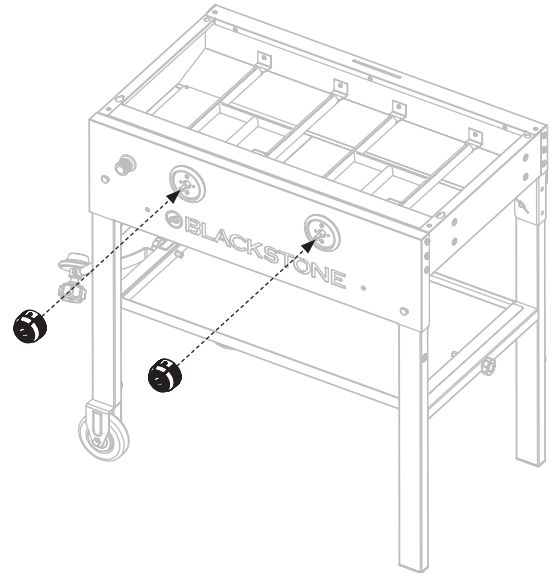


PASO 03 Con la ayuda de otra persona, levante el cuerpo de la plancha y colóquelo sobre sus ruedas.

Use un (1) pasador de seguridad [g.] y un (1) pasador de chaveta [f.] para sujetar el gancho LPG a la barra superior del conjunto de la pata izquierda.



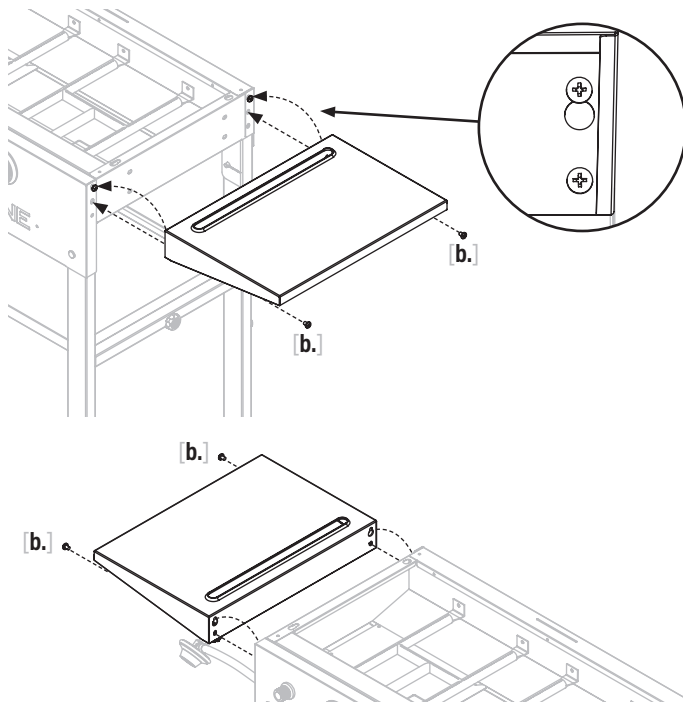
PASO 04 Instale las dos (2) perillas de control empujándolas [a.] en su lugar en la posición APAGADO.



PASO 05 Afloje los dos (2) tornillos M6x12 del lado derecho del cuerpo de la plancha.

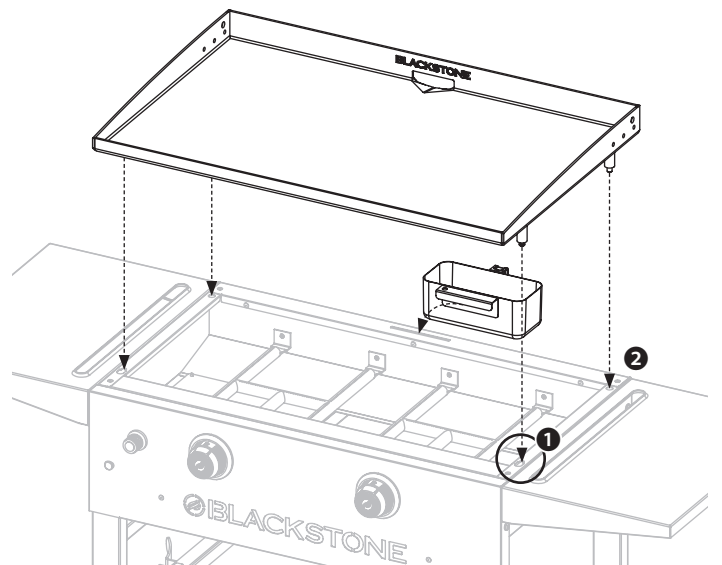
Enganche un (1) estante lateral en estos tornillos y use dos (2) tornillos M6x12 [b.] para asegurar el estante lateral al lado derecho del cuerpo de la plancha. Apriete los cuatro tornillos.

Repita con el lado izquierdo del cuerpo de la plancha.



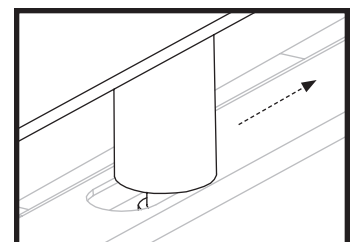
PASO 06 Cuelgue el recipiente para grasa en la ranura en la parte posterior del cuerpo de la plancha.

Con la ayuda de otra persona, coloque la parte superior de la plancha sobre el cuerpo principal alineando los 4 pasadores con los orificios del cuerpo.

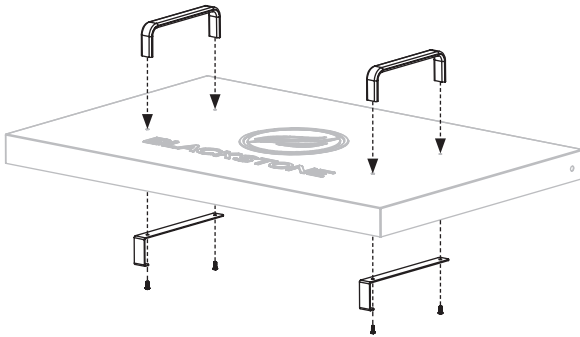


1 Coloque los dos pasadores delanteros en los orificios de bloqueo delanteros y empuje la parte superior de la parrilla hacia atrás.

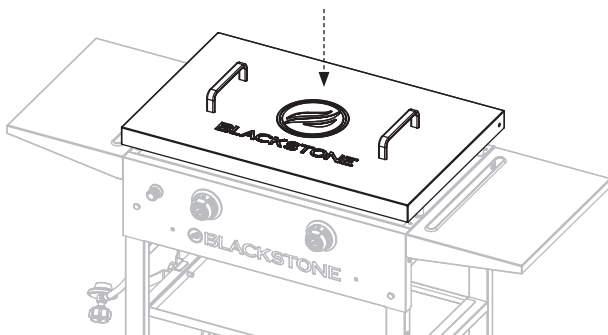
2 Luego, coloque los dos pasadores traseros en los orificios traseros.



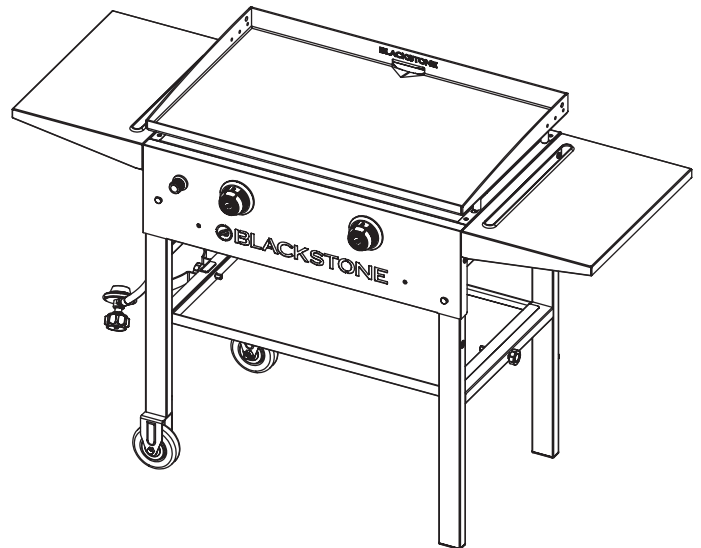
PASO 07 Use los cuatro (4) tornillos M4x10 preinstalados en las manijas de la tapa dura para sujetar las dos (2) manijas de la tapa dura y los dos (2) ganchos de la tapa dura a la tapa dura.



(Cuelgue la cubierta dura en la parte posterior de la parte superior de la plancha durante el uso del electrodoméstico. Coloque la cubierta dura en la parte superior de la parrilla cuando el electrodoméstico no esté en uso).



PASO 08 Continúe con las **INSTRUCCIONES DE OPERACIÓN**.



AVISO

- El peso máximo en el estante lateral es de 10 libras (4,5 kg).
- El estante lateral puede calentarse mientras el aparato está en uso.

AVISO

No coloque artículos en el estante estabilizador durante el uso.

AVISO

No coloque artículos en el estante estabilizador durante el uso.



INSTRUCCIONES DE OPERACIÓN

EL SISTEMA GASISTA

ACCESORIOS Y MANGUERAS

Antes de la conexión y el uso, asegúrese de que no haya residuos atrapados o dañados en el cabezal del cilindro de gas, el regulador, la manguera, el quemador y los puertos del quemador.

- Se recomienda comprobar y apretar anualmente los accesorios metálicos.
- Evite torcer el tubo flexible cuando el aparato esté en uso.
- Asegúrese de que la manguera no esté obstruida, doblada o en contacto con ninguna parte del aparato que no sea su conexión.
- Antes de cada uso, verifique si las mangueras están cortadas o desgastadas. (La manguera desgastada o dañada debe reemplazarse antes de usar el aparato).

(Utilice únicamente válvula, manguera o regulador aprobados por Blackstone. El incumplimiento anulará la garantía).

El sistema de suministro de cilindros de GLP debe estar preparado para la extracción de vapores.

- Mantenga siempre los cilindros nuevos de GLP en posición vertical durante su uso, transporte o almacenamiento.
- Mantenga siempre las aberturas de ventilación del recinto del cilindro libres y libres de residuos.

Si gotea grasa u otro material caliente sobre la válvula, manguera o regulador:

PASO 01 Cierre el suministro de gas inmediatamente.

PASO 02 Determine la causa y corríjala.

PASO 03 Limpie e inspeccione la válvula, la manguera y el regulador.

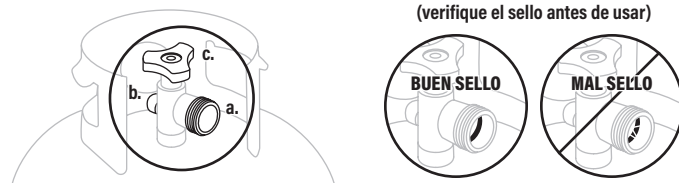
PASO 04 Realice una prueba de fugas.

UTILICE ÚNICAMENTE UN CILINDRO DE 20 LB (9 KG)

- El cilindro de suministro de gas LP que se utilizará debe construirse y marcarse de acuerdo con las Especificaciones para cilindros de gas LP del Departamento de Transporte de EE. UU. (DOT) o CSA B339, según corresponda.
- Sólo se utilizarán cilindros de GLP marcados como "propano".

LA VÁLVULA DEL CILINDRO DE GLP DEBE TENER:

- Salida de válvula tipo 1 (rosca en el exterior).
- Valvula de seguridad.
- Dispositivo de protección contra sobrellenado (OPD) listado por UL. Esta característica de seguridad OPD se identifica por un volante triangular exclusivo.



El sello en la salida de la válvula podría, con el tiempo, presentar daños o deterioros marcados y visibles que podrían causar una fuga incluso con la conexión apretada.

- Se debe realizar una inspección visual del sello cada vez que se reemplaza o rellena un cilindro de GLP.
- Cualquier cilindro de GLP que muestre signos de daño o deterioro como los ilustrados, incluidas grietas y picaduras visibles, debe devolverse sin usar al vendedor.

SEGURIDAD DEL REGULADOR

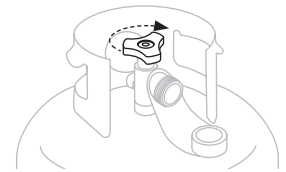
- Utilice este electrodoméstico, tal como lo compró, únicamente con el conjunto de gas y regulador/válvula suministrado. NO UTILICE accesorios de conexión rápida ni otros complementos.
- NO enrosque (fuerce en un ángulo inadecuado) la conexión entre su cilindro de GLP y el regulador.
- Si no puede conectar el regulador, no utilice el regulador.

El regulador debe ser reemplazado por un modelo aprobado por Blackstone por un distribuidor autorizado y con licencia profesional.

CONECTAR EL CILINDRO DE GLP

PASO 01 Gire las perillas de control a APAGADO.

Asegúrese de que el cilindro de GLP esté APAGADO girando el volante en el sentido de las agujas del reloj hasta detenerlo por completo.



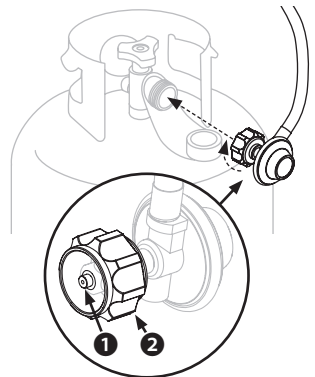
PASO 02 Mantenga el regulador en línea recta con la salida de la válvula para no cruzar la rosca de la conexión.

1 Centre e inserte la boquilla del regulador en la salida de la válvula.

2 Apriete manualmente la tuerca de acoplamiento en el sentido de las agujas del reloj.

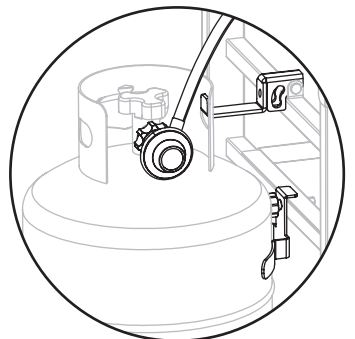
(NO UTILICE herramientas para conectarse).

Si NO SE puede completar la conexión, desconecte el regulador y repita este paso.



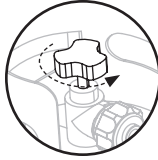
PASO 03 La válvula de alivio de seguridad debe mirar en dirección opuesta al usuario mientras el aparato está en uso.

Fije la bombona de GLP al aparato colgándola del gancho de GLP de forma que encaje contra el soporte de GLP.



CÓMO ABRIR EL GAS:

Gire el volante en sentido antihorario de 1 a 3 vueltas.



INSTRUCCIONES DE PRUEBA DE FUGAS

- Haga una prueba de fugas en los cilindros de GLP nuevos y reemplazados ANTES de conectarlos al electrodoméstico.
- No fume durante la prueba de fugas.
- NO UTILICE una llama abierta para comprobar si hay fugas de gas.
- El aparato debe someterse a una prueba de fugas al aire libre en un área bien ventilada, lejos de fuentes de ignición como aparatos eléctricos o de gas.
- Durante la prueba de fugas, mantenga el aparato alejado de llamas abiertas o chispas.

PASO 01 Cierre el suministro de gas en la válvula del cilindro de gas. Asegúrese de que las válvulas de la perilla de control estén apagadas.

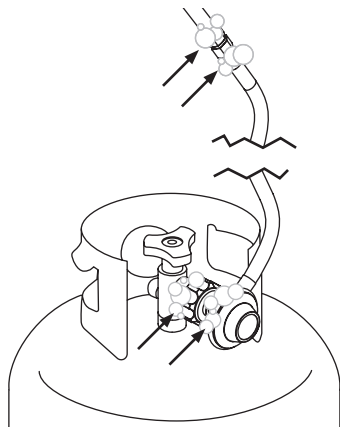
Conecte el regulador al cilindro de GLP y abra el gas.

Si escucha un sonido rápido, cierre el gas inmediatamente. Hay una fuga importante en la conexión.

PASO 02 Utilice un pincel limpio para aplicar una solución de agua y jabón suave 1% en las áreas de unión de las válvulas y el regulador.

Las fugas se indican mediante burbujas en crecimiento.

PASO 03 Apague inmediatamente el gas y vuelva a apretar las conexiones.



⚠ ADVERTENCIA

Si NO SE pueden detener las fugas, NO INTENTE repararlas. El regulador debe ser reemplazado por un modelo aprobado por Blackstone por un distribuidor autorizado y con licencia profesional.

LLENADO E INTERCAMBIO

- Utilice únicamente aquellas empresas de intercambio acreditadas que inspeccionan, llenan con precisión, prueban y certifican sus cilindros. El distribuidor de GLP debe purgar el cilindro nuevo antes de llenarlo.
- Para eliminar el gas del cilindro de GLP, comuníquese con un distribuidor certificado de GLP o con el departamento de bomberos local para obtener ayuda.
- No libere gas licuado de petróleo (GLP) a la atmósfera.

Su distribuidor puede ayudarle a combinar un cilindro de GLP de repuesto con su electrodoméstico.

El volumen de propano en el cilindro variará según la temperatura.

⚠ ADVERTENCIA

Un regulador helado indica sobrellenado de gas. Cierre inmediatamente la válvula del cilindro de GLP y llame al distribuidor local de GLP para obtener ayuda.

- Cambie el cilindro solo por un cilindro equipado con función de seguridad OPD.

ALMACENAMIENTO DE CILINDROS DE GLP

⚠ ADVERTENCIA

- No guarde un cilindro de GLP de repuesto debajo, cerca o dentro de este aparato.
- No llene un cilindro de GLP más del 80% de su capacidad. Si NO SE sigue exactamente la información anterior, puede producirse un incendio que cause la muerte o lesiones graves.

- El cilindro de GLP debe estar APAGADO cuando el aparato no esté en uso.
- Los cilindros de GLP deben almacenarse al aire libre y fuera del alcance de los niños.
- No almacene un cilindro de GLP dentro de un edificio, garaje o en cualquier otro área cerrada.
- No almacene un cilindro de GLP donde las temperaturas puedan alcanzar más de 122°F (50°C).

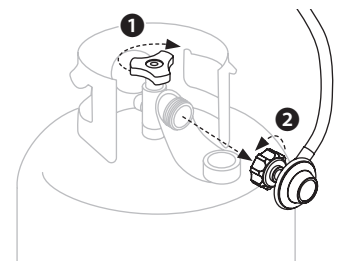
DESCONEXIÓN DEL CILINDRO DE GLP

El almacenamiento del aparato en interiores solo está permitido si el cilindro de GLP está desconectado y retirado del aparato.

PASO 01 Asegúrese de que las perillas de control estén en APAGADO.

1 Asegúrese de que el cilindro de GLP esté APAGADO girando el volante en el sentido de las agujas del reloj hasta detenerlo por completo.

2 Gire la tuerca de acoplamiento con la mano en el sentido contrario a las agujas del reloj para quitar el regulador. (NO UTILICE herramientas para desconectar).



Coloque la tapa antipolvo en la salida de la válvula del cilindro cuando el cilindro no esté en uso. Instale únicamente el tipo de tapa antipolvo en la salida de la válvula del cilindro que se proporciona con la válvula del cilindro. Otros tipos de tapas o taponés pueden provocar fugas de propano.





INSTRUCCIONES DE ENCENDIDO

1. VÁLVULAS DE RETENCIÓN

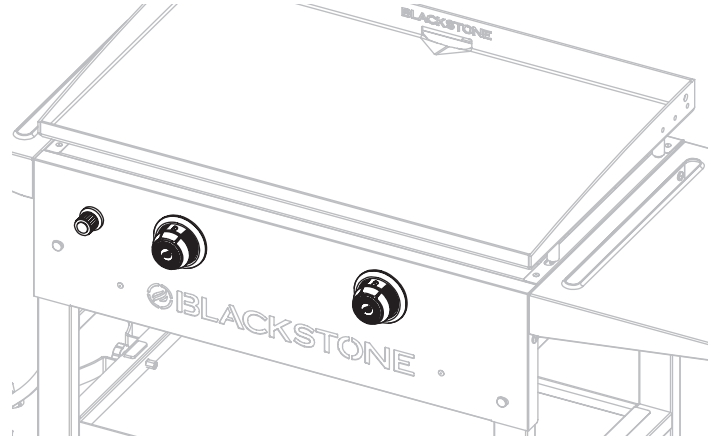
▲ Asegúrese de que el gas esté CERRADO antes de verificar las válvulas del aparato.

PASO 01 Gire todas las perillas a la posición **1** de apagado.

PASO 02 Empuje la perilla y suelte. La perilla debe retroceder. Si las perillas no retroceden, reemplace el ensamblaje de la válvula antes de usar el aparato.

PASO 03 Gire la perilla a BAJO y luego vuelva a APAGADO. La perilla debe girar suavemente.

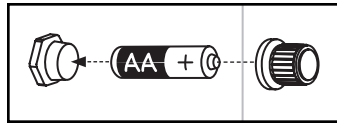
PASO 04 Conecte y encienda el gas, según corresponda. (Consulte la sección de conexión de gas).



2. ENCENDIDO ALIMENTADO POR BATERÍA

PASO 01 Inserte una (1) batería AA (no incluida) debajo del botón de encendido.

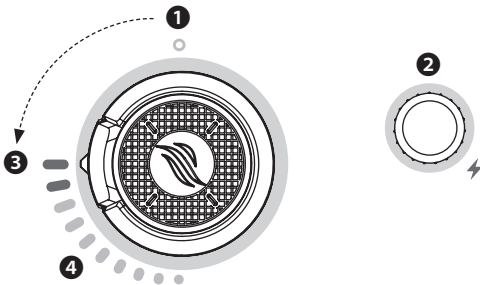
Atornille el botón en su lugar sobre el terminal positivo.



Limpie los contactos de la batería y del aparato antes de instalar la batería.

PASO 02

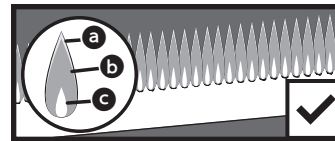
- 2** Mantenga presionado el botón de encendido.
- 3** Empuje y gire la perilla de control en sentido antihorario a ALTO. (Suelte el botón de encendido cuando se encienda el quemador).
- 4** Ajuste la temperatura al nivel deseado.



3. SIEMPRE REVISE LA LLAMA DEL QUEMADOR ANTES DE USARLO.

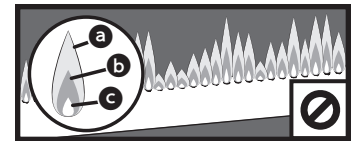
Encienda los quemadores y mire debajo de la superficie de cocción para ver los quemadores. Cuando la perilla está en ALTO, las llamas deben ser más grandes que cuando la perilla está en BAJA.

PATRÓN DE LLAMA SALUDABLE



- a** Parpadeos amarillos.
- b** Azul oscuro.
- c** Azul vibrante.

AMARILLO O IRREGULAR



Si las llamas son amarillas o irregulares, consulte el capítulo Solución de problemas.

▲ ADVERTENCIA

Si el quemador NO SE enciende con la válvula de suministro de gas abierta, el gas seguirá saliendo del quemador y podría encenderse accidental o inadvertidamente con riesgo de lesiones.

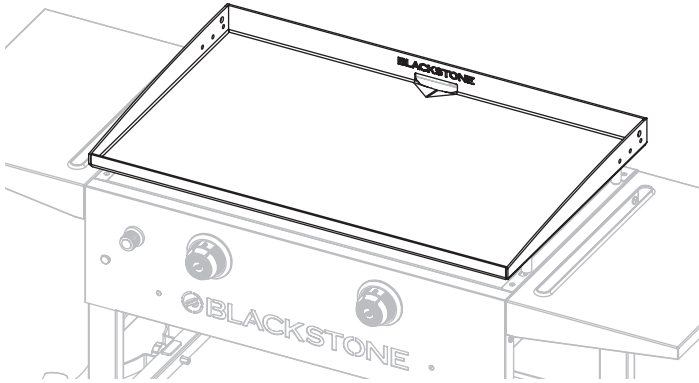
Si el encendido no ocurre en 5 segundos:

1. Apague la perilla de control del quemador.
2. Espere 5 minutos.
3. Repita el procedimiento de iluminación.

Si el quemador NO SE enciende, consulte el capítulo Solución de problemas.



INSTRUCCIONES PARA SAZONAR LA PLANCHA



LAVADO DE LA PARTE SUPERIOR DE LA PLANCHA ANTES DEL PRIMER USO

AVISO

El jabón arruinará una plancha experimentada. Esta es la única vez que debe usar jabón en la superficie de cocción de la plancha.

PASO 01 Lave la superficie de cocción de la plancha con agua caliente y jabón.

PASO 02 Enjuague y seque completamente.

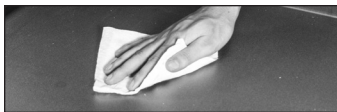
CONDIMENTAR TU PLANCHA



VIDEOTUTORIAL

Cómo sazonar una nueva plancha Blackstone
[youtube.com/watch?v=VspmDVnj2pl&t=3s](https://www.youtube.com/watch?v=VspmDVnj2pl&t=3s)

PASO 01 Limpie cualquier residuo de la parte superior de la plancha.



PASO 02 Configura tu plancha a fuego alto hasta que la parte superior de la plancha cambie de color. (~10 minutos)

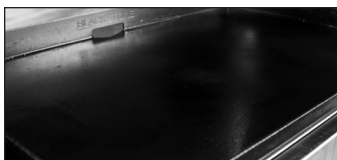


PASO 03 Use pinzas para sostener una toalla de papel o un paño de algodón y extienda 2-3 cucharadas de su aceite de condimento en toda la parte superior de la plancha.

Cuando sazone la parte superior de su plancha, recuerde usar una capa delgada y uniforme de aceite: cuanto más delgada sea la capa de aceite, más fácil será quemarla.



PASO 04 La parte superior de la plancha está lista para otra capa de aceite cuando deja de humear. Repita el PASO 03 3-4 veces, o hasta que la superficie de la plancha esté negra.



AVISO

No guarde ningún artículo a menos de 8 cm (3 pulgadas) de la parte superior de la plancha mientras esté en uso.

¿QUÉ ACEITE ES MEJOR USAR?

- Blackstone Seasoning and Cast Iron Conditioner.
- Cualquier aceite de cocina de origen vegetal.
- Grasa animal fundida sin aditivos.



ATENCIÓN

Deseche adecuadamente los trapos/toallas utilizados para esparcir el aceite sobre la plancha para evitar incendios que puedan ocurrir debido a la combustión espontánea.

En las condiciones adecuadas, el aceite residual en trapos o toallas puede oxidarse mucho después de haber sido retirado de una fuente de calor. El proceso de oxidación en sí produce calor que, si NO SE disipa, puede acumularse y causar que los trapos/toallas y el material circundante se enciendan.

SOLUCIÓN DE PROBLEMAS DE CONDIMENTOS

HAY UN RESIDUO MARRÓN EN LA SUPERFICIE DE LA PLANCHA:

POSIBLES CAUSAS

- Se usó demasiado aceite.
- Apagaste la calefacción demasiado pronto.

SOLUCIÓN

PASO 01 Encienda su plancha a temperatura alta y déjela calentar durante 10-15 minutos.

PASO 02 Raspe la mayor cantidad de aceite espesado y parcialmente cocido que pueda.

PASO 03 Vuelva a sazonar con una capa muy fina de aceite.

LOS BORDES DE LA SUPERFICIE DE LA PLANCHA NO SON NEGROS:

Después de usar su plancha para cocinar varias veces, el condimento se nivelará y mejorará.

PREVENCIÓN DEL ÓXIDO

Use su plancha con frecuencia. Cada vez que cocina, está agregando condimentos, lo que hace que la oxidación sea menos probable.

AVISO

Si vive en un clima húmedo o costero, su plancha puede requerir curaciones más frecuentes entre usos.

Si aparece óxido en la superficie de la plancha, frótelo con lana de acero, papel de lija de grano bajo o Blackstone Pumice Stone y vuelva a secar la superficie.



VIDEOTUTORIAL

Recuperación de la tapa de su plancha Blackstone
[youtube.com/watch?v=thPE2IgnSil](https://www.youtube.com/watch?v=thPE2IgnSil)



COCINAR EN TU BLACKSTONE

⚠ ATENCIÓN

Este aparato estará caliente durante y después de su uso. Utilice utensilios de mango largo y guantes de cocina/guantes protectores cuando manipule piezas potencialmente calientes, incluidas las manijas cercanas al cuerpo del aparato, para protegerse contra quemaduras y salpicaduras.

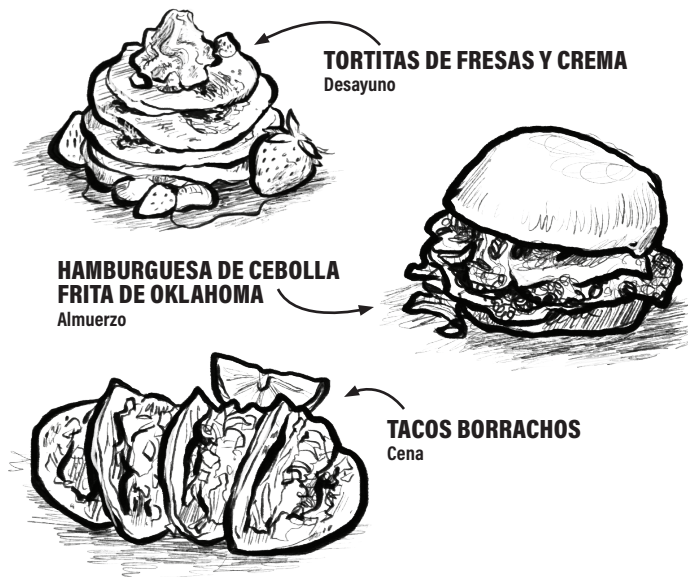
VÍDEO RECETAS

Encuentre recetas y consejos de cocina en:

BlackstoneProducts.com/recipes

youtube.com/BlackstoneGriddles

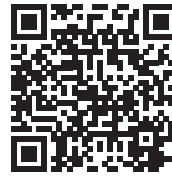
@blackstoneproducts



LIMPIEZA DE LA PARTE SUPERIOR DE SU PLANCHA

Limpie la parte superior de la plancha después de cada uso, mientras aún esté caliente.

• NO USE jabón en la parte superior de la plancha. Esto destruirá el condimento de la plancha.



VIDEOTUTORIAL

HCómo limpiar su plancha Blackstone

youtube.com/watch?v=-ledu9z6NPY

PASO 01 Empuje los restos de comida sueltos en el recipiente para la grasa con una espátula o un raspador de metal recto.



PASO 02 Limpie la parte superior de la plancha con una toalla de papel o un estropajo Blackstone.



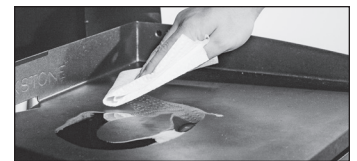
PASO 03 Aplique unas cuantas cucharadas de agua a la superficie de la plancha, luego raspe el agua y los residuos en el recipiente para la grasa. (Para los residuos de comida pegados, use un poco de sal gruesa).



PASO 04 Limpie nuevamente con una toalla de papel y seque completamente.



PASO 05 Aplique una fina capa de aceite de cocina para mantener la sazón y proteger la parte superior de la plancha.



VACÍA TU VASO DE GRASA

El recipiente para la grasa debe retirarse y vaciarse después de cada uso.

Nota: Asegurarse de que la plancha esté en un terreno nivelado permitirá que la grasa y el agua se escurran hacia el corte de grasa trasero.

⚠ ATENCIÓN

La taza de grasa estará caliente durante y después del uso. NO RETIRE la taza de grasa hasta que la plancha se haya enfriado por completo.



CUIDADO Y MANTENIMIENTO

⚠️ ADVERTENCIA

La acumulación de grasa puede provocar un incendio. Limpie cualquier parte del aparato que se caliente y experimente acumulación de grasa después de cada uso.

⚠️ ATENCIÓN

Toda la limpieza y el mantenimiento deben llevarse a cabo cuando el aparato esté frío y todo esté APAGADO.

- NO USE una almohadilla abrasiva en áreas con gráficos.
- Si se usa un cepillo de cerdas para limpiar cualquiera de las superficies de cocción, asegúrese de que no queden cerdas sueltas en las superficies de cocción antes de cocinar.

CUERPO DEL APARATO:

Lave con agua jabonosa tibia y seque inmediatamente con un paño no abrasivo. (No permita que los agentes de limpieza descansen sobre ninguna superficie porosa durante un período de tiempo prolongado).

AVISO

NO UTILICE Citrisol, limpiadores abrasivos o un limpiador concentrado en el aparato. Esto puede resultar en daños y fallas en las piezas.

ALMACENAMIENTO DE ELECTRODOMÉSTICOS

⚠️ ADVERTENCIA

No mueva el aparato cuando esté en uso. Deje que el aparato se enfríe a 115°F (45°C) antes de moverlo o almacenarlo.

Cubra su electrodoméstico con una funda dura o blanda o una bolsa de transporte (según corresponda) cuando lo guarde al aire libre. No lo almacene donde se pueda acumular agua.



ENCUENTRA MI PORTADA

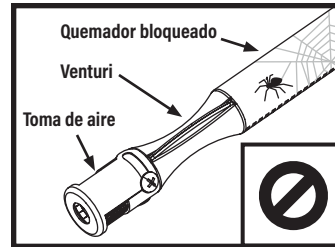
BlackstoneProducts.com

- Cubiertas
- Llevar bolsas

LIMPIEZA DEL CONJUNTO DEL QUEMADOR

Las arañas y los insectos pueden anidar dentro y obstruir el quemador/tubo venturi en el orificio.

Para reducir la posibilidad de "retroceso de llama", se debe seguir el procedimiento a continuación al menos una vez al mes cuando las arañas están más activas o cuando su electrodoméstico NO SE ha utilizado durante un período de tiempo.



⚠️ ADVERTENCIA

Un quemador obstruido puede provocar un incendio debajo del aparato.

El quemador debe retirarse y limpiarse siempre que se encuentren obstrucciones.



VIDEOTUTORIAL

Cómo limpiar el tubo de su quemador

▶ [youtube.com/watch?v=xKQTCrFCzf8](https://www.youtube.com/watch?v=xKQTCrFCzf8)

PASO 01 Asegúrese de que el gas esté CERRADO en las perillas de control y el suministro de gas. Retire la parte superior de la plancha.

PASO 02 Separe y retire con cuidado el quemador.



PASO 03 Limpiar el interior del quemador:

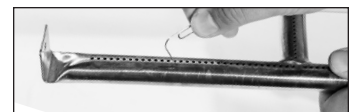
- Pase un cepillo estrecho para botellas a través del quemador varias veces. (NO use cepillos de alambre)
- Utilice aire comprimido para apagar el quemador. (Use protección para los ojos)



PASO 04 Cepille toda la superficie exterior del quemador para eliminar la suciedad.

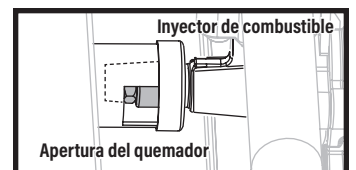


PASO 05 Limpie los puertos bloqueados con un alambre rígido, como un sujetapapeles abierto.



PASO 06 Vuelva a colocar con cuidado los quemadores y vuelva a colocarlos, prestando atención a la ubicación de la aguja de encendido.

⚠️ La boquilla de combustible del riel de gas debe volver a conectarse dentro de la abertura del quemador.





SOLUCIÓN DE PROBLEMAS

SOLUCIÓN DE PROBLEMAS DE ENCENDIDO

EL QUEMADOR NO SE ENCIENDE:

Si NO SE enciende en 5 segundos:

PASO 01 Apague la perilla de control del quemador.

PASO 02 Espere 5 minutos.

PASO 03 Repita el procedimiento de encendido.

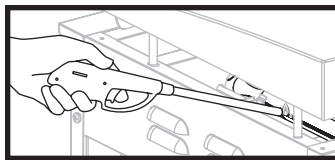
Si esto no funciona, para determinar la causa, intente encender su aparato con una cerilla.

INSTRUCCIONES PARA ENCENDER FÓSFOROS

Antes de comenzar, compruebe si hay fugas de gas. Abra el capó (si corresponde).

PASO 01 Gire la perilla de control a la posición APAGADO.

PASO 02 Encienda un fósforo (o un encendedor largo) de no menos de 11 pulgadas de largo.

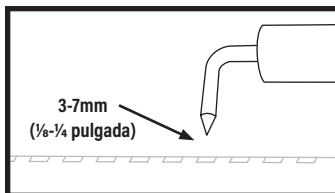


PASO 03 Coloque la llama en el lado derecho o izquierdo del quemador.

PASO 04 Presione y gire la perilla de control para que empiece a fluir el gas. Asegúrese de que el quemador se encienda y permanezca encendido.

SI PUEDE ENCENDER SU ELECTRODOMÉSTICO CON UN FÓSFORO:

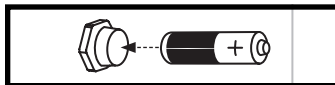
| POSIBLES CAUSAS | SOLUCIÓN |
|---------------------------------|---|
| Cable de encendido desalineado. | Asegúrese de que la aguja del encendedor esté colocada a 3-7 mm (1/8-1/4 pulgada) del quemador y alineada con los orificios del quemador. |



| | |
|-----------------------------------|---|
| Daños en el sistema de encendido. | Póngase en contacto con el servicio de atención al cliente para obtener piezas de repuesto. |
|-----------------------------------|---|

Batería agotada o mal instalada.
Para reciclar y desechar baterías para proteger el medio ambiente, consulte Internet o su directorio telefónico local para encontrar centros de reciclaje locales y/o siga las regulaciones del gobierno local.

Reemplácela con una batería nueva.



- Asegúrese de que la batería esté instalada correctamente con respecto a la polaridad (+ y -).
- Retire las baterías del equipo que NO SE vaya a utilizar durante un período prolongado.
- Retire las baterías usadas rápidamente.

SI NO PUEDE ENCENDER SU APARATO CON UN FÓSFORO:

| POSIBLES CAUSAS | SOLUCIÓN |
|---|---|
| Los tubos de los quemadores no reciben combustible. | Limpie el conjunto del quemador para eliminar la obstrucción. |

SOLUCIÓN DE PROBLEMAS DE FLUJO DE GAS

EL APARATO NO ALCANZA UNA TEMPERATURA ALTA O CALIENTA DE MANERA DESIGUAL:

- Las llamas del quemador son amarillas o irregulares.
- Las llamas del quemador comienzan con fuerza, luego bajan inmediatamente a nivel bajo incluso cuando el quemador está en la posición alta.
- La altura de la llama desciende cuando se enciende un segundo quemador.
- Las llamas NO SE extienden por toda la longitud del quemador, o solo corren por un lado del quemador.
- Las llamas del quemador son inconsistentes.

| POSIBLES CAUSAS | SOLUCIÓN |
|---|---|
| Obstrucciones en el quemador, chorros de gas o riel de combustible. | Limpie el quemador, los surtidores y la manguera de gas. |
| El cilindro de gas está vacío o bajo. | Rellene o reemplace el cilindro de gas. |
| Se activó el dispositivo limitador de caudal del regulador. | Restablecer el sistema de seguridad: PASO 01 Apague el aparato, cierre la válvula del cilindro de gas y desconecte el regulador del cilindro de gas. PASO 02 Espere cinco minutos para permitir que se disipe la presión, luego vuelva a conectar el regulador al cilindro de gas y abra lentamente el volante del cilindro de gas de una a tres vueltas. PASO 03 Encienda su electrodoméstico. |
| Regulador atascado en posición de seguridad. | Póngase en contacto con el servicio de atención al cliente para obtener piezas de repuesto. |



- Una llama sale de la puerta de aire.

| POSIBLES CAUSAS | SOLUCIÓN |
|--|---|
| Algo está bloqueando el venturi en el tubo del quemador. | Limpie el conjunto del quemador para eliminar la obstrucción. |



ATENCIÓN AL CLIENTE

CONTACTA CON NOSOTROS

Para todas las preguntas, consultas o atención al cliente, comuníquese con:

ESTADOS UNIDOS Y CANADÁ

BlackstoneProducts.com/support

- Lunes – Viernes | 7:00 am – 5:00 pm (MST/MDT)
- Inglés y Español

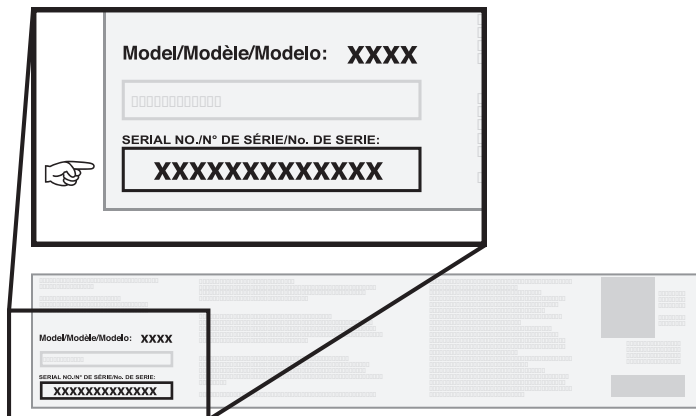
Comuníquese con nosotros antes de devolver este electrodoméstico a su distribuidor.

UBICACIÓN DEL NÚMERO DE SERIE

Para habilitar su garantía, deberá proporcionar el número de serie de su electrodoméstico.

El número de serie se puede encontrar en la etiqueta del fabricante de su electrodoméstico.

(La etiqueta del fabricante es una etiqueta plateada grande que se encuentra en el cuerpo de su electrodoméstico).



LIBRO DE COCINA
ELECTRÓNICO
GRATUITO
CUANDO SE REGISTRA



GARANTÍA DE UN AÑO

North Atlantic Imports, LLC garantiza este producto contra defectos de materiales y mano de obra por un período de un (1) año a partir de la fecha original de compra en condiciones de uso normal. En la medida en que se produzcan dichos defectos, North Atlantic Imports, LLC., a su discreción, proporcionará las piezas de repuesto adecuadas sin coste alguno.

En ningún caso North Atlantic Imports, LLC será responsable de los daños consecuentes, indirectos o incidentales que resulten de la instalación, el uso o la falla del producto.

Esta garantía NO cubre:

- Costos de inspección o mano de obra para el reemplazo de cualquier pieza defectuosa;
- Defectos cosméticos que no afectan el rendimiento o la integridad del producto;
- Uso y desgaste normal;
- Daños por vandalismo; actos de la naturaleza, incluidos, entre otros, viento, tormentas, granizo, inundaciones;
- Montaje, instalación o uso inadecuado;
- Decoloración o decoloración del acabado como resultado de la exposición a productos químicos, derrames, piscina o agua salada;
- Corrosión/óxido.

Este producto ha sido diseñado para brindar seguridad y calidad. Cualquier modificación realizada al producto original podría comprometer su integridad estructural o su función y podría provocar fallas en el producto o lesiones personales. Como tal, modificar este producto anula todas las garantías.

Este producto es SOLO PARA USO RESIDENCIAL y no para fines comerciales, contractuales ni otros fines no residenciales. North Atlantic Imports, LLC renuncia a todas las demás representaciones y garantías de cualquier tipo, expresas o implícitas.

La garantía se aplica al comprador original y no es transferible. NO SE aplica a accesorios o piezas que NO SE suministran con el producto, a compras de modelos de exhibición ni a productos que se venden en liquidación o "tal cual". Sin embargo, es posible que tenga otros derechos legales específicos según las leyes de su estado o país de residencia específico.

Para activar su garantía, registre su producto en

BlackstoneProducts.com/register

North Atlantic Imports, LLC se reserva el derecho de cambiar o modificar esta garantía en cualquier momento.



Esta página se dejó en blanco intencionalmente



Esta página se dejó en blanco intencionalmente





Esta página se dejó en blanco intencionalmente





Este producto puede estar cubierto por una o más patentes estadounidenses y/o internacionales emitidas y puede incluir solicitudes de patentes pendientes. Para obtener más información, visite: BlackstoneProducts.com/patents

