

KALORIK®

Since 1930

FOOD SLICER CORTAFIAMBRES TRANCHEUSE

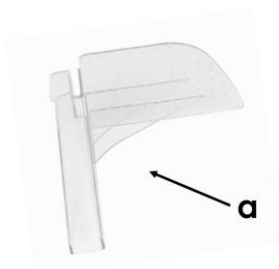
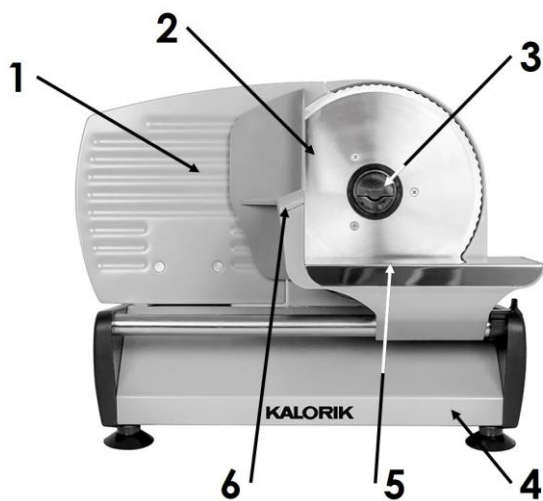
EN.....4
ES.....12
FR.....20



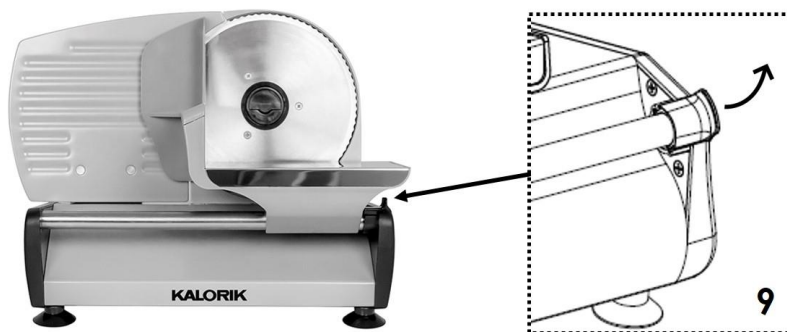
AS 45493

120V~60Hz200W (1.7A)

PARTS DESCRIPTION / DESCRIPTION DES ÉLÉMENT



PARTS DESCRIPTION / DESCRIPTION DES ÉLÉMENT



ENGLISH:

1. Positioning plate
2. Removable blade
3. Blade lock
4. Housing
5. Food carriage
6. Pusher
7. On/off switch / Safety switch
8. Slice thickness adjustment knob
9. Tray release lever
- a. Pusher with thumb guard (accessory)

ESPAÑOL:

1. Placa de posicionamiento
2. Cuchilla circular
3. Cierre de seguridad para la hoja
4. Cubierta
5. Carro
6. Protección para el pulgar
7. Interruptor de seguridad / botón ON/OFF
8. Reglaje del espesor de las lonchas
9. Palanca de liberación de la bandeja
- a. Empujador (accesorio)

FRANÇAIS:

1. Plaque de positionnement
2. Lame circulaire amovible
3. Mécanisme de déblocage de la lame
4. Boîtier
5. Chariot coulissant
6. Pousoir
7. Interrupteur de sécurité & bouton ON/OFF
8. Réglage de l'épaisseur de coupe
9. Mécanisme pour retirer le chariot
- a. Pousoir avec protège-pouce

IMPORTANT SAFEGUARDS

When using your appliance, basic safety precautions should always be followed, including the following.

1. **Read all instructions prior to using.**
2. **Important:** This appliance can be used by children over 8 years old and people with reduced physical, sensory or mental capacities or with a lack of experience or knowledge if they have been given supervision or instructions concerning the safe use of the appliance and the risks involved. Children shall not play with the appliance. Cleaning and user maintenance shall not be made by children unless they are older than 8 years and supervised. Never leave the appliance and its cord unsupervised and within reach of children less than 8 years old or irresponsible persons when it is plugged into the wall.
3. Check that your mains voltage corresponds to that stated on the appliance.
4. Never leave the appliance unsupervised when in use.
5. From time to time check the appliance for damages. Never use the appliance if cord or appliance shows any signs of damage. In that case, repairs should be made by a competent qualified electrician. Should the cord be damaged, it must be replaced by a competent qualified electrician in order to avoid all danger.
6. Only use the appliance for domestic purposes and in the way indicated in these instructions.
7. Never immerse the appliance in water or any other liquid for any reason whatsoever. Never place it into the dishwasher.
8. Never use the appliance near hot surfaces.
9. Always disconnect the appliance from the power supply if it is left unattended, and before assembling, disassembling or cleaning, or when not in use.
10. Never use the appliance outside and always place it in a dry environment.
11. Never use the appliance with accessories not recommended by the manufacturer. They could constitute a danger to the user and risk to damage the appliance.
12. Never move the appliance by pulling the cord. Make sure the cord cannot get caught in any way. Do not wind the cord around the appliance and do not bend it.

13. Make sure the appliance is set on a flat surface.
14. Only use this slicer for slicing food. Only slice articles such as cheese, meat, bread and preparations. Avoid slicing through bones, deep frozen food or packaged food as this could damage the motor or the blade.
15. Never cut food only by using your hands. Always use the slide and its food guide. Make sure never to touch the blade when in use.
16. The blade of this appliance is extremely sharp; always be very careful when using or cleaning the appliance. Never try to stop the movement of the blade in any way whatsoever.
17. It is absolutely necessary to keep this appliance clean at all times as it comes into direct contact with food.
18. For safety reasons, the slice thickness dial must be returned to the "0", position after use.

Important Information:

This appliance is not intended for commercial use. You should follow the requested breaks. Failure to follow this instruction carefully may result in damage to the motor. **Please refer to the rating label for the maximum continuous usage time** (KB xx min where xx is the maximum usage time). The breaks should last at least 10 minutes.

SAVE THESE INSTRUCTIONS HOUSEHOLD USE ONLY

POLARIZED PLUG INSTRUCTIONS

This appliance is equipped with a polarized plug (one blade is wider than the other). To reduce the risk of electric shock, this plug will fit into the polarized outlet only one way. If the plug does not properly fit into the outlet at first, reverse it. If it still does not fit, contact a competent qualified electrician. **Do not attempt to modify the plug in any way.**

SHORT CORD INSTRUCTIONS

A short power supply cord is provided to reduce the hazards resulting from becoming entangled in, or tripping over a longer cord. Extension cords may be used if care is exercised in their use.

- The electrical rating of the extension cord should be at least that of the appliance. If the electrical rating of the extension cord is too low, it could overheat and burn.
- The resulting extended cord should be arranged so that it will not drape over the counter top or tabletop where it can be pulled on by children or tripped over.

OPERATING INSTRUCTIONS

For a safe use, your appliance is fitted with a sliding food platform or food carriage (5), and pusher with a thumb guard (6 & a) to fully protect your hands.

Use the platform to make to and from motions along the blade to cut the slices. Use the handle to move it.

The pusher allows you to keep the food when slicing by holding your hand far from the blade. Therefore, it is recommended to always use it except if the food is too large and, in this case, keep it as far as possible from the blade.

1. Clean all parts of the appliance before the first use.
2. Make sure the appliance is steady and add the pusher (a) on the carriage(5).
3. Plug in the appliance. The slicer is now ready for use.
4. Place a plate or a dish behind the blade to collect the slices.
5. Move the platform away from the blade and lay the food to be sliced on the stainless-steel plate.
6. Push the food against the positioning plate (1) with the pusher and select the slicing thickness by turning the adjustment knob (8).
7. **SAFETY SWITCH:** Your appliance is equipped with a safety switch. To turn the appliance ON, push the switch to the right. While holding the switch to the right, push on the ON/OFF button simultaneously. The blade will start rotating
8. Push the carriage towards the right to bring the food to the blade (2). Use the handle of the carriage and keep the pressure on the mobile side of the appliance thanks to the pusher. For best results we recommend to not apply too much pressure.

9. If it becomes difficult to slice the food (important braking of the blade), move back a little bit and start the operation again by approaching the blade slowly.
10. To avoid food sticking to the appliance and to improve the slicing, you can moisten or oil the blade with a wet towel beforehand.
11. Do not slice meat with bones, food with large seeds, rolled roast without removing the string, wrappers (i.e. aluminum foil), frozen food or any hard, inedible food parts.
12. To turn the appliance OFF, simply push the ON/OFF button and the appliance will turn off.

CAUTION: The blade may still be rotating. Wait for the blade to stop rotating completely before any next steps. For safety reasons, the slice thickness dial must be returned to the "0", position after use.

GET MORE OUT OF YOUR PRODUCT

Browse Chef-created recipes specifically made for your Kalorik product. Visit our website www.kalorik.com to see our extensive recipe library and start cooking. Sign up for the Kalorik email mailing list to receive special offers and recipes, and connect with us on social media for daily inspiration.

CLEANING

- Make sure the switch is in the OFF position and the appliance is unplugged from the power supply before cleaning.
- Wipe the inside and outside of the appliance with a paper towel or a soft cloth. It should not be washed in a dishwasher (the carriage tilts to make the cleaning easier).
- Do not clean the inside or outside with any abrasive scouring pad or steel wool as this will damage the finish.
- Do not immerse in water or any other liquid.
- Dry all parts well before storage.

REMOVING THE BLADE AND FOOD CARRIAGE FOR DEEP CLEANING:

- To clean the appliance thoroughly, it is possible to remove the blade and food carriage

- Make sure to turn the appliance is OFF and unplugged and wait until the blades have completely stopped spinning.

To remove the food tray:

1. Pull the lock at the end of the sliding rod towards the right. Lift the rod (from the right) and remove it.
2. Remove the tray from the rod and clean it in warm soapy water.
3. To put the tray back in place simply proceed in reverse order. Make sure the food carriage has been re-installed correctly before restarting or storing the appliance.
4. The pusher can be cleaned in warm soapy water. Rinse well after cleaning. Do not put in the dishwasher.
5. **DO NOT IMMERSE THE APPLIANCE IN WATER OR ANY OTHER LIQUID!**

To remove the blade:

1. ensure the unit is off, unplugged and the blades have come to a complete stop.
2. Remove the food tray or move it to the left.
3. **Use the blade lock handle to turn the blade lock (3) clockwise. Use the little handle to pull the blade away from the unit.**



4. Wash the blade in warm soapy water. Do not wash in the dishwasher! Let it dry thoroughly.
5. Clean the housing behind the blade with a dry cloth or a soft brush. to put the blade back in place, proceed inversely and lock the blade by turning the blade lock counter-clockwise.
6. **DANGER! BLADE IS VERY SHARP!**

STORAGE

When not in use, it is recommended that the thickness adjustment dial gets turned down all the way until the mark "0", so that the blade's sharp edge is concealed - this to avoid any risk of accidental cuts or injuries.

IMPORTANT INFORMATION

A lubricant paste is applied at the factory to ensure correct lubrication for the first uses. After this, the first time the blade is removed, the user can remove the extra lubrication paste or leave it. The paste is food safe. No extra lubrication will be needed afterwards.

Cautiously cleaning the blade after use as indicated in the user manual should avoid cross-contamination. Deep cleaning by removing the blade is only necessary from time to time.

WARRANTY

We suggest that you complete and return the enclosed Product Registration Card promptly to facilitate verification of the date of original purchase. However, return of the Product Registration Card is not a condition of these warranties. You can also fill out this warranty card online, at the following address: www.KALORIK.com

This KALORIK product is warranted in the U.S.A. and Canada for 1 year from the date of purchase against defects in material and workmanship. This warranty is not transferable. Keep the original sales receipt. Proof of purchase is required to obtain warranty performance.

During this period, if the KALORIK product, upon inspection by KALORIK, is proven defective, it will be repaired or replaced, at Kalorik's option, without charge to the customer. If a replacement product is sent, it will carry the remaining warranty of the original product.

This warranty does not apply to any defect arising from a buyer's or user's misuse of the product, negligence, failure to follow KALORIK instructions noted in the user's manual, use on current or voltage other than that stamped on the product, wear and tear, alteration or repair not authorized by KALORIK, or use for commercial purposes. There is no warranty for glass parts, glass containers, filter basket, blades and agitators, and accessories in general. There is also no warranty for parts lost by the user.

ANY WARRANTY OF MERCHANTABILITY OR FITNESS WITH RESPECT TO THIS PRODUCT IS ALSO LIMITED TO THE ONE YEAR LIMITED WARRANTY PERIOD.

Some states do not allow limitation on how long an implied warranty lasts or do not allow the exclusion of incidental or consequential damages, so the above limitations may not apply to you. This warranty gives you specific legal rights, and you may also have other rights which vary from state to state.

If the appliance should become defective within the warranty period and more than 30 days after date of purchase, do not return the appliance to the store: often, our Customer Service Representatives can help solve the problem without having the product serviced. If the appliance should become defective within the warranty period and

more than 30 days after date of purchase, do not return the appliance to the store: often, our Customer Service Representatives can help solve the problem without having the product serviced. If servicing is needed, a Representative can confirm whether the product is under warranty and direct you to the nearest service location.

if this is the case, bring the product, or send it, postage prepaid by the user (all Kalorik customers are responsible for the initial shipment back to the warranty center), along **with proof of purchase** and a **return authorization number** indicated on the outer package, given by our Customer Service Representatives. Send to the authorized KALORIK Service Center (please visit our website at www.KALORIK.com or call our Customer Service Department for the address of our authorized KALORIK Service Center).

When sending the product, please include a letter explaining the nature of the claimed defect.

If you have additional questions, please call our Customer Service Department (please see below for complete contact information), Monday through Thursday from 9:00am - 5:00pm (EST) and Friday from 9:00am - 4:00pm (EST). Please note hours are subject to change.

If you would like to write, please send your letter to:

KALORIK Customer Service Department

Team International Group of America Inc.
16175 NW 49th Ave
Miami Gardens, FL 33014 USA

Or call: Toll Free: +1 888-521-TEAM / +1 888-KALORIK

Only letters can be accepted at this address above. Shipments and packages that do not have a return authorization number will be refused.

CONSEJOS DE SEGURIDAD

1. **Lea detenidamente el modo de empleo antes de utilizar el aparato, y siempre siga las medidas de seguridad y el modo de funcionamiento.**
2. **Importante:** Este dispositivo puede ser utilizado por niños mayores de 8 años y personas con capacidades físicas, sensoriales o mentales reducidas o con falta de experiencia o conocimiento si se les ha dado supervisión o instrucciones sobre el uso seguro del dispositivo y los riesgos involucrados. Los niños no deben jugar con el aparato. Los niños no deben realizar la limpieza y el mantenimiento del usuario a menos que tengan más de 8 años y estén supervisados. Nunca deje el aparato y su cable sin supervisión y al alcance de niños menores de 8 años o personas irresponsables cuando esté enchufado a la pared o cuando se esté enfriando.
3. Compruebe que la tensión de red corresponda con la indicada en el aparato.
4. Nunca deje el aparato sin supervisión cuando esté en uso.
5. De vez en cuando revise el aparato por daños. Nunca utilice el aparato si el cable o el aparato muestra signos de daños. En ese caso, las reparaciones deben ser realizadas por un electricista calificado. Si se daña el cable, debe ser reemplazado por un electricista calificado para evitar todo peligro.
6. Utilice el aparato únicamente para fines domésticos y de la forma indicada en estas instrucciones.
7. Nunca sumerja el aparato en agua ni en ningún otro líquido por ningún motivo. Nunca lo coloque en el lavaplatos.
8. Nunca use el aparato cerca de superficies calientes.
9. Desconecte siempre el aparato de la fuente de alimentación si lo deja desatendido, y antes de armarlo, desmontarlo o limpiarlo, o cuando no esté en uso.
10. Nunca use el aparato en el exterior y siempre colóquelo en un ambiente seco.
11. Nunca utilice el aparato con accesorios no recomendados por el fabricante. Podrían constituir un peligro para el usuario y riesgo de dañar el aparato.
12. Nunca mueva el aparato tirando del cable. Asegúrese de que el cable no pueda engancharse de ninguna manera. No enrolle el cable alrededor del aparato y no lo doble.

13. Asegúrese de que el aparato esté colocado sobre una superficie plana.
14. Utilice solo esta rebanadora para cortar alimentos. Solo rebana artículos como queso, carne, pan y preparaciones. Evite cortar los huesos, alimentos congelados o empacados ya que esto podría dañar el motor o la cuchilla.
15. Nunca cortes los alimentos con las manos. Utilice siempre la diapositiva y su guía de alimentos. Asegúrese de nunca tocar la cuchilla cuando está en uso.
16. La cuchilla de este aparato es extremadamente afilada; Siempre tenga mucho cuidado al usar o limpiar el aparato. Nunca intente detener el movimiento de la cuchilla de ninguna manera.
17. Es absolutamente necesario mantener este aparato limpio en todo momento, ya que entra en contacto directo con los alimentos.
18. Por razones de seguridad, el dial de grosor de corte debe devolverse a la posición "0" después del uso.

Para una utilización óptima de su aparato y evitar el deterioro de su motor, controle el tiempo de utilización continuada máxima indicada en la placa de características (KB xx min. donde xx es el duración máxima). Pausa de utilización: 10 minutos.

GUARDE ESTAS INSTRUCCIONES PARA USO HOGAREÑO SOLAMENTE

INSTRUCCIONES PARA ENCHUFE POLARIZADO

Este aparato está proveído con un enchufe polarizado (una pata es más ancha que la otra). Para reducir el riesgo de choque eléctrico, este enchufe calza en el tomacorriente polarizado de una sola manera. Si el enchufe no cabe totalmente en el tomacorriente, gire el enchufe. Si aun así no calza, consulte a un servicio técnico cualificado. **No intente anular esta característica de seguridad.**

INSTRUCCIONES PARA CABLE CORTO

El cable de alimentación del aparato es un cable corto a fin de disminuir el riesgo de accidentes (caídas al tropezar con él, etc.) Puede utilizar un alargador si es necesario.

- Asegúrese de que el nivel eléctrico del cable es igual o mayor que el indicado. Una extensión con un bajo nivel eléctrico correría el riesgo de sobrecalentarse y de estropearse.
- Para evitar riesgos colocar de forma tal que los niños no puedan jalarlo o tropezar con él. Que no arrastre nunca por el suelo.

INSTRUCCIONES DE USO

Para un uso seguro, su aparato está equipado con una plataforma deslizante para alimentos o un carrito para alimentos (5), y un empujador (a) con un protector de pulgar (6) para proteger sus manos por completo.

Use la plataforma para hacer movimientos de y hacia lo largo de la cuchilla para cortar las rodajas. Usa el asa para moverlo.

El empujador le permite mantener la comida al cortarla sosteniendo su mano lejos de la cuchilla. Por lo tanto, se recomienda usarlo siempre, excepto si la comida es demasiado grande y, en este caso, manténgala lo más alejada posible de la cuchilla.

1. Limpie todas las partes del aparato antes del primer uso.
2. Asegúrese de que el aparato esté firme y agregue el empujador en el carro (5).
3. Enchufe el aparato. El rebanador ya está listo para su uso. Seleccione el grosor de corte deseado utilizando la palanca de ajuste de grosor de corte.
4. Coloque un plato o un plato detrás de la cuchilla para recoger las rodajas.
5. Aleje la plataforma de la cuchilla y coloque los alimentos para cortarlos en la placa de acero inoxidable.

6. Empuje la comida contra la placa de posicionamiento (1) con el empujador y seleccione el grosor de rebanado girando la perilla de ajuste (8).
7. **INTERRUPTOR DE SEGURIDAD:** Su aparato está equipado con un interruptor de seguridad. Para encender el aparato, presione el interruptor hacia la derecha. Mientras mantiene presionado el interruptor a la derecha, presione el botón ON / OFF simultáneamente. La cuchilla comenzará a girar.
8. Empuje el carro hacia la derecha para llevar los alimentos a la cuchilla (2). Utilice el asa del carro y mantenga la presión en el lado móvil del aparato gracias al empujador. Para mejores resultados recomendamos no aplicar demasiada presión.
9. Si resulta difícil cortar los alimentos (frenado importante de la cuchilla), retroceda un poco y vuelva a comenzar la operación acercándose a la cuchilla lentamente.
10. Para evitar que los alimentos se peguen al aparato y mejorar el corte, puede humedecer o engrasar la cuchilla con una toalla húmeda de antemano.
11. No corte la carne con huesos, los alimentos con semillas grandes, el asado enrollado sin quitar la cuerda, las envolturas (es decir, el papel de aluminio), los alimentos congelados o cualquier parte dura y no comestible de los alimentos.
12. Para apagar el aparato, simplemente presione el botón ON/OFF y el aparato se apagará.
PRECAUCIÓN: la cuchilla todavía puede estar girando. Espere a que la cuchilla deje de girar por completo antes de cualquier paso siguiente. Por razones de seguridad, el dial de grosor de corte debe devolverse a la posición "0" después del uso.

OBTENGA MÁS DE SU PRODUCTO

Explore recetas creadas por chefs específicamente para su producto Kalorik. Visite nuestro sitio web www.kalorik.com para ver nuestra extensa biblioteca de recetas y empezar a cocinar. Regístrese en la lista de correo electrónico de Kalorik para recibir ofertas y recetas especiales, y conéctese con nosotros en las redes sociales para obtener inspiración diaria.

LIMPIEZA

- Asegúrese de que el interruptor esté en la posición de APAGADO y que el aparato tenga que desenchufarse de la fuente de alimentación antes de limpiarlo.
- Limpie el interior y el exterior del aparato con una toalla de papel o un paño suave. No debe lavarse en un lavaplatos (el carro se inclina para facilitar la limpieza).
- No limpie el interior ni el exterior con un estropajo abrasivo o lana de acero, ya que esto dañará el acabado.
- No lo sumerja en agua ni en ningún otro líquido.
- Seque bien todas las piezas antes de guardarlas.

ELIMINACIÓN DE LA HOJA Y EL CARRO DE ALIMENTOS PARA LA LIMPIEZA PROFUNDA:

- Para limpiar el aparato a fondo, es posible retirar la cuchilla y el carro de alimentos.
- Asegúrese de apagar el aparato, desenchúfelo y espere hasta que las cuchillas hayan dejado de girar por completo.

Para retirar la bandeja de alimentos:

1. Tire del bloqueo que se encuentra en el extremo de la barra deslizante hacia la derecha. Levante la varilla (de la derecha) y sáquela.
2. Retire la bandeja de la varilla y límpiela con agua tibia y jabón.
3. Para volver a colocar la bandeja en su lugar, simplemente proceda en orden inverso. Asegúrese de que el carro de alimentos se haya reinstalado correctamente antes de reiniciar o guardar el aparato.
4. El empujador se puede limpiar con agua tibia y jabón. Enjuague bien después de limpiar. No lo ponga en el lavaplatos.
5. **¡NO SUMERGA EL APARATO EN EL AGUA O CUALQUIER OTRO LÍQUIDO!**

Para retirar la cuchilla:

1. Asegúrese de que la unidad esté apagada, desenchufada y que las cuchillas se hayan detenido por completo.
2. Retire la bandeja de comida o muévela hacia la izquierda.

3. **Utilice el asa de bloqueo de la cuchilla para girar el bloqueo de la cuchilla (3) en el sentido de las agujas del reloj. Use la manija pequeña para sacar la cuchilla de la unidad**



4. Lave la cuchilla con agua tibia y jabón. ¡No laves en el lavaplatos! Deja que se seque completamente.
5. Limpie la carcasa detrás de la cuchilla con un paño seco o un cepillo suave. para volver a colocar la cuchilla en su lugar, proceda inversamente y bloquee la cuchilla girando el bloqueo de la cuchilla en sentido contrario a las agujas del reloj.
6. **¡PELIGRO! ¡LA HOJA ES MUY AFILADA!**

ALMACENAMIENTO

Cuando no esté en uso, se recomienda que gire el disco de ajuste de grosor hasta la marca "0", de modo que el borde afilado de la hoja quede oculto, para evitar cualquier riesgo de cortaduras o lesiones accidentales.

INFORMACION IMPORTANTE

En la fábrica se aplica una pasta lubricante para garantizar la lubricación correcta para los primeros usos. Después de esto, la primera vez que se retira la cuchilla, el usuario puede quitar la pasta de lubricación adicional o dejarla. La pasta es inocua para los alimentos. No será necesaria ninguna lubricación adicional después.

Limpieza cuidadosa de la cuchilla después de uso, como se indica en el manual del usuario, evita la contaminación cruzada. La limpieza profunda retirando la cuchilla solo es necesaria de vez en cuando.

GARANTIA

Le sugerimos rellenen y nos envíen rápidamente la Tarjeta de Registro de Producto adjunta para facilitar la verificación de la fecha de compra. Por lo tanto, la devolución de esa Tarjeta de Registro de Producto no es una condición imprescindible para la aplicación de esa garantía. Puede también rellenar dicha tarjeta de garantía en línea en la dirección siguiente: www.KALORIK.com

A partir de la fecha de compra, este producto KALORIK está garantizado un año contra los defectos materiales y de fabricación, en los Estados Unidos y en Canadá. Esta garantía no es transferible. Conserve la prueba de compra original. Se exige una prueba de compra para obtener la aplicación de la garantía.

Durante este período, si el producto KALORIK después de una inspección por parte de KALORIK, se manifiesta defectuoso, será reparado o reemplazado, según lo que decida KALORIK, sin gastos para el consumidor. Si se envía un producto de reemplazo, se aplicará la garantía que queda del producto original.

Esta garantía no se aplica a los defectos causados por una mala utilización por parte del comprador o del usuario, o una negligencia al no respeto del manual de instrucciones KALORIK, o una utilización en un circuito eléctrico cuyo voltaje es diferente al que figura en el producto, o un desgaste normal, o modificaciones o reparaciones no autorizadas por KALORIK, o por un uso con fines comerciales. No existe garantía por las partes de cristal, jarras de cristal, filtros, cestos, cuchillas y accesorios en general. No existe tampoco garantía por las piezas perdidas por el usuario.

Toda garantía de valor comercial o de adaptabilidad a este producto está limitada a un año también.

Algunos estados no ponen límites a la duración de la garantía tácita o no autorizan la exclusión de daños y perjuicios accesorios o indirectos, por lo que puede que las restricciones anteriormente mencionadas no le sean aplicables a Usted. Esta garantía le otorga derechos legales particulares, pero usted puede tener también otros derechos que varían de un estado a otro y algunos derechos pueden variar de un estado a otro.

Si el aparato tuviera un defecto durante el periodo de garantía y / o más de 30 días después de que se compró, no devuelva el aparato en la tienda donde le compró: a menudo, nuestro Servicio al Consumidor puede ayudar a resolver el problema sin que el producto tenga que ser reparado. Si hace falta una reparación, uno de nuestros representantes puede confirmar si el producto está bajo garantía y dirigirle al servicio post-venta más próximo.

Si fuera el caso, traiga el producto (o envíelo, correctamente franqueado) con la **prueba de compra** que mencione **el número de autorización de devolución** indicado por nuestro Servicio al Consumidor, al servicio post-venta KALORIK más próximo. (Visite nuestra web www.KALORIK.com o llame al Servicio al Consumidor para obtener la dirección del Servicio posventa KALORIK exclusivo más próximo).

Si envía el producto, le rogamos añadan una carta explicando la naturaleza del defecto.

Si tiene preguntas adicionales, por favor llame al Servicio al Consumidor (véase abajo para los datos completos), de lunes a viernes, de las 9 a las 18 (EST). Note que las horas pueden ser modificadas.

Si quiere escribirnos, puede hacerlo a la dirección siguiente:

KALORIK Servicio al Consumidor

Team International Group of America Inc.
16175 NW 49th Ave
Miami Gardens, FL 33014 USA

O llame gratuitamente (U.S.A.) al +1 888-521-TEAM / +1 888-KALORIK

Las cartas se aceptan solamente en la dirección anteriormente mencionada. Los envíos y paquetes que no tengan número de autorización de devolución serán rechazados.

CONSIGNES DE SÉCURITÉ

Pour une utilisation sans risques de cet appareil électrique, les consignes de sécurité suivantes doivent être suivies :

1. **LISEZ L'ENSEMBLE DES INSTRUCTIONS.**
2. **Important :** Votre appareil peut être utilisé par des enfants âgés de plus de 8 ans et des personnes ayant des capacités physiques, sensorielles ou mentales réduites ou des personnes dénuées d'expérience ou de connaissances, s'ils ont pu bénéficier, au préalable, d'une surveillance ou d'instructions concernant son utilisation en toute sécurité et sur les risques encourus. Les enfants ne doivent surtout pas jouer avec l'appareil. Le nettoyage et la maintenance ne doivent pas être effectués par des enfants à moins qu'ils aient plus de 8 ans et qu'ils soient supervisés. Ne laissez jamais votre appareil et son câble d'alimentation sans surveillance et à la portée des enfants de moins de 8 ans ou des personnes non responsables, lorsque celui-ci est sous tension.
3. Avant d'utiliser l'appareil, vérifiez que la tension du réseau correspond bien à celle de l'appareil.
4. Ne laissez jamais votre appareil sans surveillance lorsque celui-ci est en fonctionnement ou sous tension.
5. Vérifiez régulièrement l'état de votre appareil et s'il est endommagé de quelque façon que ce soit, ne l'utilisez pas mais faites-le vérifier et réparer par un service qualifié compétent. Si le câble est endommagé, il doit être obligatoirement remplacé par un service qualifié compétent afin d'éviter tout danger.
6. N'utilisez l'appareil que pour des usages domestiques et de la manière indiquée dans la notice.
7. Ne plongez jamais l'appareil dans l'eau ou dans tout autre liquide ni pour son nettoyage ni pour toute autre raison. Ne le mettez jamais au lave-vaisselle.
8. N'utilisez pas l'appareil près de sources de chaleur.
9. La prise doit être retirée avant de nettoyer l'appareil, ou lorsqu'il est débranché, ou lors du démontage avant nettoyage ou autre.
10. Veillez à ne pas utiliser l'appareil à l'extérieur et entreposez-le dans un endroit sec.
11. Ne pas utiliser des accessoires non recommandés par le fabricant, cela peut présenter un danger pour l'utilisateur et risque d'endommager l'appareil.

12. Ne déplacez jamais l'appareil en tirant sur le câble. Veillez à ce que le cordon d'alimentation ne puisse être accidentellement accroché et ce, afin d'éviter toute chute de l'appareil. Évitez d'enrouler le cordon autour de l'appareil et ne le tordez pas.
13. Veillez à poser cet appareil sur une surface de travail stable.
14. N'utilisez cette trancheuse que dans le cadre d'applications culinaires. Ne coupez que des aliments tels que fromages, viandes (désossées), pain et préparations. Ne coupez pas d'aliments surgelés avec votre trancheuse.
15. Ne coupez jamais d'aliments en vous aidant uniquement de vos mains, utilisez toujours le chariot et sa plaque d'appui. Prenez garde de ne pas toucher la lame.
16. La lame de cet appareil est extrêmement coupante, veillez à être extrêmement prudent lors de la manutention de celle-ci particulièrement lors de son nettoyage. Ne touchez jamais la lame lorsque l'appareil est en fonctionnement, en outre, n'essayez pas d'immobiliser de quelque façon que ce soit le mouvement de la lame.
17. Gardez cet appareil propre étant donné qu'il est en contact direct avec la nourriture.
18. Toujours entreposer l'appareil avec le bouton de réglage de l'épaisseur de coupe sur la position « 0 ».

Important :

Cet appareil ne peut être utilisé de façon professionnelle. Vous devez respecter les pauses de fonctionnement. Dans le cas contraire vous risqueriez d'endommager le moteur. Référez-vous à la plaque signalétique de votre appareil pour connaître la durée maximale d'utilisation continue (notée KB xx min. où xx est la durée maximale). Les pauses de fonctionnement doivent durer au moins 10 minutes.

GARDEZ CES INSTRUCTIONS USAGE DOMESTIQUE UNIQUEMENT

INSTRUCTIONS POUR UNE PRISE DE COURANT POLARISÉE

Cet appareil est équipé d'une prise polarisée (une des deux tiges métalliques est plus longue que l'autre). Pour réduire le risque de choc électrique, cette prise ne peut être introduite que d'une seule façon dans la fiche murale. Si cette prise ne rentre pas correctement dans la fiche, retournez-la. Si elle ne rentre toujours pas, contactez un électricien qualifié et reconnu. N'essayez jamais de modifier vous-même la prise polarisée.

INSTRUCTIONS POUR LE CÂBLE COURT

Le cordon d'alimentation de l'appareil est un cordon de type court, et ce afin de diminuer les risques d'accidents (chute si vous marchez sur le cordon...). Vous pouvez toutefois utiliser une rallonge si nécessaire mais :

- Assurez-vous que l'ampérage de la rallonge soit égal ou supérieur à celui de l'appareil. Une rallonge avec un ampérage inférieur à celui de l'appareil risquerait de surchauffer et de brûler.
- La rallonge ne doit pas pendre du plan de travail ou de la table afin d'éviter que les enfants ne le tirent ou trébuchent.

UTILISATION

Pour un usage en toute sécurité, votre appareil est livré avec un dispositif complet (chariot coulissant (5) et pousoir équipé d'un protège-pouce (6 & a)) qui permet de protéger vos mains tout en vous procurant un confort d'usage exceptionnel.

Le chariot vous permet de réaliser le mouvement de va et vient le long de la lame pour couper les tranches. Faites usage de sa poignée lors du déplacement.

Le pousoir vous permet de maintenir les aliments lors de leur découpe, en tenant votre main loin de la lame. Pour cette raison, il vous est fortement conseillé de toujours l'utiliser, sauf si l'aliment est de taille trop grande - dans ce cas gardez vos mains le plus loin possible de la lame.

1. Lavez toutes les pièces de votre appareil avant de l'utiliser pour la première fois (Voir le paragraphe : **NETTOYAGE**)
2. Posez votre appareil sur une surface plane et stable, puis ajoutez le poussoir (2) sur la poignée du chariot (6).
3. Branchez l'appareil. Votre trancheuse est à présent prête à l'emploi.
4. Placez une assiette ou un plat derrière la lame pour récupérer les tranches.
5. Éloignez le chariot (5) de la lame (2), posez les aliments à trancher sur la surface en acier du chariot (5) et pressez l'aliment contre la plaque arrière (1) avec le poussoir (6 & a).
6. Réglez l'épaisseur de coupe désirée à l'aide de la molette d'ajustement (8).
7. **Interrupteur de sécurité** : Cette trancheuse est équipée d'un interrupteur de sécurité. Pour allumer l'appareil, pousser et maintenir l'interrupteur vers la droite et appuyer sur le bouton ON/OFF simultanément. La lame commencera à tourner. Pour arrêter placez l'interrupteur (7) en position OFF.
8. Guidez les aliments vers la lame en poussant le chariot avec votre pouce reposant toujours sur le protège-pouce (a). N'appuyez pas trop fort pour obtenir une coupe plus régulière.
9. Si la coupe devient plus difficile, éloignez l'aliment à trancher de la lame, et recommencez l'opération en approchant l'aliment à trancher plus doucement.
10. Humidifiez ou huilez la lame avant de couper les aliments qui risqueraient d'y adhérer ; cela vous assurera une coupe plus facile.
11. N'utilisez pas votre trancheuse pour couper la viande avec os, les aliments comprenant de gros noyaux, le rôti en filet, les emballages (par ex. papier aluminium).
12. Utilisez toujours le poussoir lorsque vous coupez de petits morceaux ou des restes d'aliments.
13. N'essayez pas de couper des aliments surgelés ou très durs.
14. Une fois le tranchage terminé, placez l'interrupteur en position éteinte, attendez l'arrêt complet de la lame et réglez la molette d'ajustement de l'épaisseur de coupe en position « 0 ».

OBTENEZ PLUS DE VOTRE PRODUIT

Parcourez des recettes conçues par des chefs spécialement faites pour votre produit Kalorik. Visitez notre site web www.kalorik.com pour y trouver

un grand choix de recettes et commencer à cuisiner. Inscrivez-vous à la liste de diffusion Kalorik pour recevoir des offres spéciales et des recettes, et connectez-vous avec nous sur les réseaux sociaux pour une inspiration quotidienne.

NETTOYAGE ET RANGEMENT

1. Vérifiez que l'appareil est hors tension et retirez la fiche de la prise de courant avant de nettoyer l'appareil.
2. Essuyez le corps de l'appareil et la surface de la lame à l'aide de papier absorbant ou d'un chiffon doux humide.
3. Ne nettoyez jamais votre appareil à l'aide de produits abrasifs car cela abîmerait le revêtement.
4. N'IMMERGEZ PAS L'APPAREIL DANS L'EAU OU TOUT AUTRE LIQUIDE !
5. Attendre que l'appareil soit complètement sec avant de le ranger.

ENLEVER LA LAME ET LE CHARIOT COULISSANT POUR NETTOYER :

- Cette trancheuse est équipée d'une fonction spéciale : le chariot coulissant et la lame peuvent-être démontés complètement pour être nettoyés dans de l'eau chaude savonneuse. Ils ne doivent pas être lavés au lave-vaisselle. Pour ce faire :
 - Assurez-vous que l'appareil est hors tension et débranché.
1. **Pour enlever le chariot coulissant** : Placez la molette d'ajustement de l'épaisseur en position « 0 ». Tirez sur le mécanisme au bout de la tige métallique (1). Soulevez la tige pour la retirer (2).
 2. Retirez le chariot de la tige (3) et lavez-le dans de l'eau chaude savonneuse.
 3. Pour remettre le chariot en place, procédez de façon inverse. Assurez-vous que le chariot soit correctement installé avant d'utiliser l'appareil de nouveau.
 4. **N'IMMERGEZ PAS L'APPAREIL DANS L'EAU OU TOUT AUTRE LIQUIDE !**
1. **POUR ENLEVER LA LAME** : Pour faire un nettoyage approfondi de l'appareil il est possible de démonter la lame. Pour cela, placez l'interrupteur sur sa position arrêt, débranchez l'appareil et assurez-vous que la lame soit complètement arrêtée.
 2. Retirez le chariot coulissant ou déplacez-le vers la gauche.

3. Tournez le dispositif de verrouillage (3) situé au milieu de la lame dans le sens des aiguilles d'une montre. Vous pouvez ensuite retirer la lame.



4. Nettoyez la lame dans de l'eau chaude savonneuse. Ne la mettez pas au lave-vaisselle. Laissez-la sécher avant de la remonter.
5. Nettoyez le boîtier derrière la lame avec un chiffon sec ou une petite brosse.
6. Pour remettre en place la lame, procédez de manière inverse et verrouillez la lame en place en tournant le mécanisme dans le sens inverse des aiguilles d'une montre.
7. Attention ! Soyez prudent lors de la manipulation de la lame. Elle est très coupante et le non-respect de cette consigne pourrait donc entraîner des blessures.
8. Lorsque la lame est démontée, assurez-vous qu'il n'y ait pas d'eau qui pénètre dans l'appareil !

Attention ! Soyez prudent lors de la manipulation de la lame. Elle est très coupante et le non-respect de cette consigne pourrait donc entraîner des blessures.

RANGEMENT DE L'APPAREIL

Quand l'appareil est hors-utilisation, il est recommandé de tourner le bouton de réglage de l'épaisseur de coupe au minimum. Cette position « P » permet à la lame de ne plus affleurer, afin d'éviter tout risque de coupure ou de blessure résultant d'une mauvaise manipulation.

REMARQUE IMPORTANTE

Une pâte est appliquée en usine pour garantir une bonne lubrification du moteur lors des premières utilisations. Après avoir utilisé la trancheuse quelques fois, la première fois que vous retirez la lame, vous pouvez retirer l'excédent de pâte lubrifiante ou la laissez en place. Cette pâte est sans danger en cas d'ingestion et n'entre pas en contact avec la nourriture. Aucune lubrification additionnelle n'est nécessaire par la suite.

Un nettoyage normal de la surface de la lame est suffisant pour éviter toute contamination entre les aliments. Un nettoyage complet n'est nécessaire qu'occasionnellement.

GARANTIE

Nous vous suggérons de remplir et de nous renvoyer rapidement la Carte d'Enregistrement Produit ci-jointe afin de faciliter la vérification de la date d'achat. Cependant, le renvoi de la Carte d'Enregistrement Produit n'est pas une condition indispensable à l'application de la présente garantie. Vous pouvez aussi remplir cette carte de garantie en ligne à l'adresse suivante : www.KALORIK.com.

A compter de la date d'achat, ce produit KALORIK est garanti un an, sur les territoires des Etats-Unis et du Canada, contre les défauts matériels et de fabrication. Cette garantie n'est pas transférable. Conservez la preuve d'achat originelle. Une preuve d'achat est exigée pour obtenir l'application de la garantie.

Durant cette période, le produit KALORIK qui, après inspection par KALORIK, s'avère défectueux, sera réparé ou remplacé, au choix de KALORIK, sans frais pour le consommateur. Si un produit de remplacement est envoyé, c'est la garantie restante du produit original qui s'appliquera.

La présente garantie ne s'applique pas aux défauts dus à une mauvaise utilisation de la part de l'acheteur ou de l'utilisateur, à une négligence, au non-respect des consignes du manuel d'utilisation KALORIK, à une utilisation sur un circuit électrique au voltage différent de celui renseigné sur le produit, à une usure normale, à des modifications ou réparations non autorisées par KALORIK, ou par un usage à des fins commerciales. Il n'existe pas de garantie pour les parties en verre, récipients en verre, filtres, paniers, lames et accessoires en général. Il n'existe également pas de garantie pour les pièces perdues par l'utilisateur.

Toute garantie de valeur commerciale ou d'adaptabilité à ce produit est également limitée à la garantie d'un an.

Certains états ne limitent pas la longueur de la garantie tacite ou n'autorisent pas l'exclusion de dommages-intérêts accessoires ou indirects, les restrictions ci-dessus peuvent donc ne pas s'appliquer à vous. Cette garantie vous donne des droits légaux particuliers, et certains droits peuvent varier d'un état à l'autre.

Si l'appareil devait présenter un défaut durant la période de garantie et plus de 30 jours après l'achat, ne ramenez pas l'appareil au magasin : souvent, notre Service Clientèle peut aider à résoudre le problème sans que le produit ne doive être réparé. Si une réparation est nécessaire, un représentant peut confirmer si le produit est sous garantie et vous rediriger vers notre centre de réparation.

Le cas échéant, ramenez le produit (ou envoyez-le, dûment affranchi), ainsi qu'**une preuve d'achat**, en mentionnant **le numéro d'autorisation de retour**, indiqué par notre service clientèle, au service après-vente KALORIK agréé (visitez notre site internet www.KALORIK.com ou appelez notre département Service Clientèle pour obtenir l'adresse du service après-vente KALORIK agréé).

Si vous envoyez le produit, veuillez y joindre une lettre expliquant la nature du défaut.

Si vous avez des questions complémentaires, veuillez appeler notre département Service Clientèle (voyez plus bas pour les coordonnées complètes), du Lundi au Jeudi de 9h à 17h (EST) et le Vendredi de 9h à 16h (EST). Veuillez noter que les heures sont sujettes à modification.

Si vous souhaitez nous écrire, adressez votre courrier à :

KALORIK Customer Service Department

Team International Group of America Inc.

16175 NW 49th Ave

Miami Gardens, FL 33014 USA

Ou appelez (Gratuitement des Etats-Unis): +1 888-521-TEAM ou +1 888-KALORIK.

Seules les lettres seront acceptées à l'adresse ci-dessus. Les envois et colis n'ayant pas de numéro d'autorisation de retour seront refusés.

NOTES :

NOTES :

**For questions please contact:
Pour toute question, veuillez contacter:**

KALORIK Customer Service / Service Après-Vente

Team International Group of America Inc.
16175 NW 49th Avenue
Miami Gardens, FL 33014 USA

Toll Free / Numéro Gratuit:
+1 888-521-TEAM / +1 888-KALORIK

www.KALORIK.com



Ref AS 45493

User manual content and recipes courtesy of Team International Group – Do not reproduce without consent of the authors - All rights reserved.

Contenu du guide d'utilisation et recettes fournis par Team International Group - Ne pas reproduire sans le consentement des auteurs - Tous droits réservés.

KALORIK[®]
Since 1930