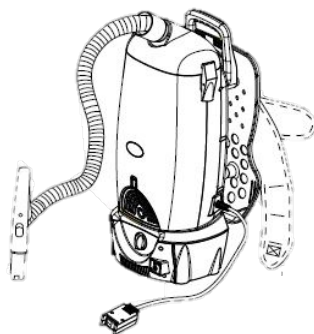




**ERGO PRO CORDLESS BACKPACK VACUUM  
OWNER'S MANUAL**

**Model: VACBPAIC**

**26V, 300W**



**Atrix**

**1350 Larc Industrial Blvd.**

**Burnsville, MN 55337**

**[www.atrix.com](http://www.atrix.com)**

**[sales@atrix.com](mailto:sales@atrix.com)**

**Telephone: 952.894.6154**

**Toll Free Telephone: 800.222.6154**

**Fax: 952.894.6256**

**Battery MUST be REMOVED from the Vacuum prior to charging. Failure to follow the warnings and instructions may result in shock, fire, property damage and or serious injury or death.**

## **IMPORTANT SAFETY INSTRUCTIONS**

**Per CFR 49, Lithium Ion batteries are considered "hazardous goods." As such, they are subject to SPECIAL handling and packaging regulations for ground and air shipping.**

**Proper shipping procedures compliant with CFR 49 MUST BE FOLLOWED.**

When using an electrical appliance, basic precaution should always be followed, including the following:

### **READ ALL INSTRUCTIONS BEFORE USING THIS APPLIANCE**

#### **WARNING:**

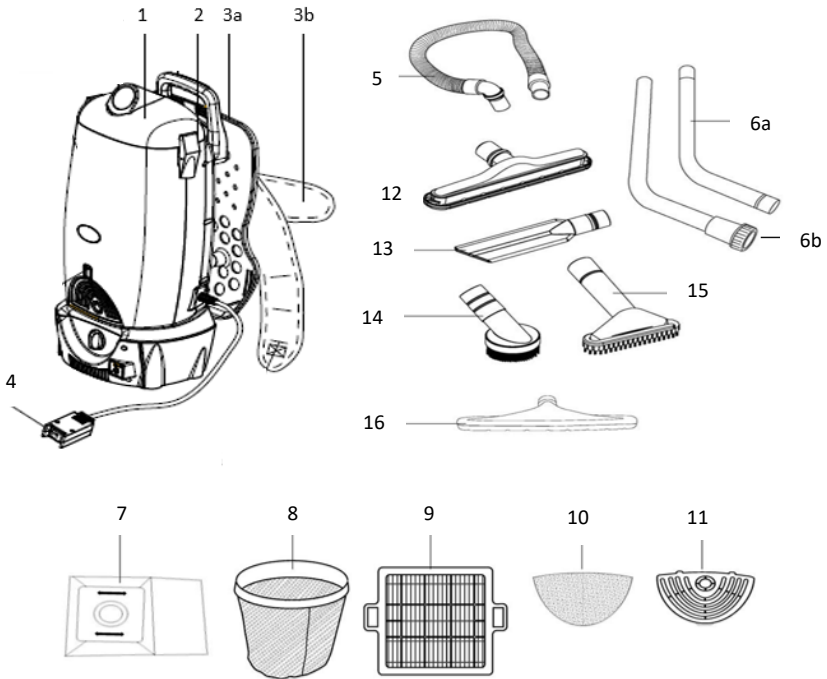
**Read Owner's Manual before using this product. Failure to do so can result in serious injury or death.**

1. Use only as described in this manual. Use only the recommended attachments, battery, charger, and replacement parts.
2. DO NOT use the vacuum outdoors or on wet surfaces. DO NOT expose to rain or water.
3. DO NOT use or store vacuum in wet or moist conditions.
4. DO NOT try to recover any liquid with this vacuum. This vacuum is for DRY RECOVERY only DO NOT USE A DAMAGED VACUUM. If the unit is not working as it should, or if it has been damaged, left outdoors, or exposed to water, take it to an Authorized Repair Center for inspection and repair.
5. DO NOT allow the vacuum to be used as a toy. Pay close attention when using the vacuum near children.
6. DO NOT handle the switch or battery pack with wet hands.

7. DO NOT put any objects into openings. Do not use with any opening blocked, keep free of dust, lint, hair, and anything that may reduce air flow.
8. Keep hair, loose clothing, fingers, and all parts of body away from openings and moving parts.
9. Use with extra care when cleaning on stairs.
10. DO NOT vacuum flammable or combustible materials or anything that is burning or smoking, such as cigarettes, matches, or hot ashes.
11. Sparks inside the motor can ignite flammable vapors, to reduce the risk of fire or explosion, do not use near combustible liquids, gases, or dusts, such as gasoline or other fuels, lighter fluid, cleaners, oil-based paints, or natural gas.
12. To reduce the risk of inhaling toxic vapors or dust, DO NOT vacuum or use near toxic or hazardous materials.
13. DO NOT use without filter in place.
14. Disconnect battery pack before servicing vacuum.

**SAVE THESE INSTRUCTIONS!**

# GETTING TO KNOW YOUR ERGO PRO CORDLESS VACUUM



1. Replacement 1.5" Lid Grey (VACBPAILIDG)
2. Replacement Latch (BP34-38)
3. 3a & 3b Assembly - Replacement Handle, Webbing and Harness (BPAIHARN)
4. On/Off Power Switch
5. Replacement Hose 1.5" (VACBP AI39)
6. 7a - 1.5" Aluminum Wand Hose End (VACBP AI37) 7b - 1.5" Aluminum Wand Utensil End (VACBP AI38)
7. HEPA Bag (VACBP6- 10P)
8. Reusable Cloth Shake-Out Bag (VACBP8)
9. and 10. HEPA Pre-Motor Filter and Exhaust Filter Set (BPFILPACK)
11. Exhaust Filter Cover (BP18)
12. Floor tool w/ Scallops 1.5" (VACBP AI34)
13. Crevice Tool 1.5" (VACBP AI36)
14. Round Dusting Brush 1.5" (VACBP AI33)
15. Upholstery Tool w/ Brush 1.5" (VACBP AI32)
16. Floor Tool with Bristles 1.5" (VACBP AI35)

## OPERATING INSTRUCTIONS

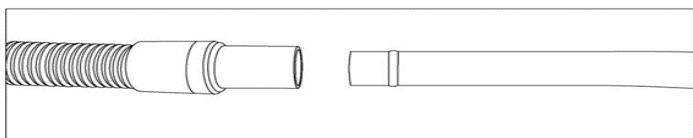
### Assembling Your Vacuum

1. Push/press fit the hose into the lid opening. (Fig 1)



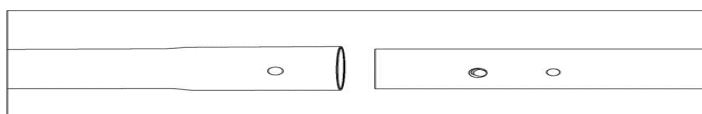
(Fig. 1)

2. To connect the hose and attachment wand, slide the hose over the hose end wand attachment and over the bump by approx. 1/2". (Fig. 2)



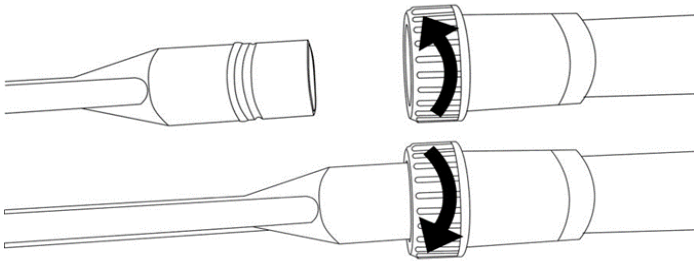
(Fig. 2)

3. Take the hose end attachment wand and insert it into the lower attachment wand (utensil end). (Fig. 3)



(Fig. 3)

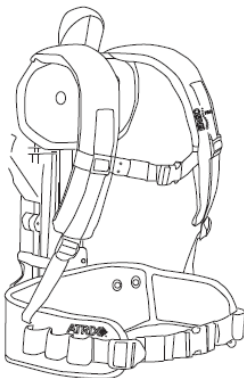
4. Secure the utensil to the end of wand. Align the copper ring with the groove on the tool to ensure a secure fit (Fig. 4)



(Fig. 4)

### **Using Your Vacuum**

1. Ensure the battery pack is assembled and locked in the vacuum.
2. Connect hose to the lid of the vacuum.
3. Connect the Aluminum Wands together, then connect the hose to the assembled wand, and secure utensil for use.
4. Correctly place shoulder straps on each shoulder and secure the waist band (Fig. 5) **Caution:** If the waist band and both shoulder straps are not properly and securely in place the unit could fall off your back-causing damage or injury.
5. Turn the unit on by pressing the switch.



(Fig. 5)

## **Replacing the HEPA Bag**

1. To open the canister lid, pull up the canister lid tabs on each side of the unit and remove canister lid. (Fig.1)

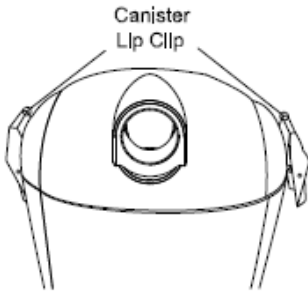


Fig. 1

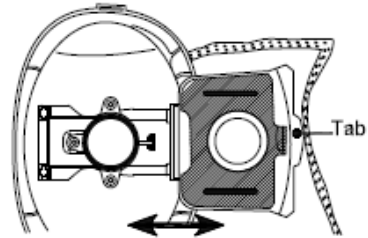


Fig. 2

2. Pull the tab on the HEPA bag holder out slightly and flip upwards. (Fig. 2)
3. Holding the HEPA bag in your hand, slide/pull it out of the bag holder and dispose.
4. Insert/slide new bag. Cardboard face should rest securely in the bag cover guides. (Fig. 3)

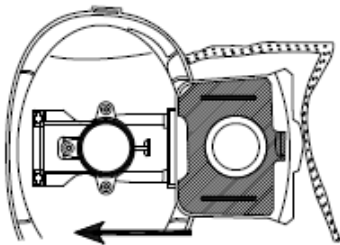


Fig. 3



Fig. 4

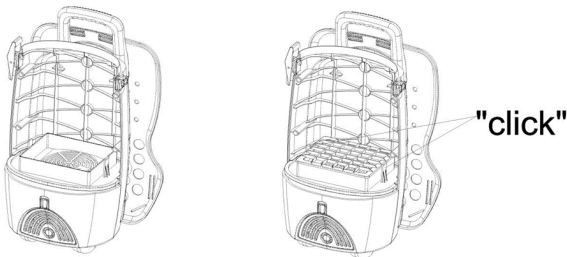
## **Cleaning the Cloth Shake-Out Bag**

1. Remove the Shake-out bag from the canister. Hold the handle of the bag shaking vigorously over a garbage receptacle and preferably outdoors. (Fig. 4)
2. As necessary, hand wash the cloth shake-out bag with warm water and let it air dry before reinserting it onto canister lip. Inspect shake-out bag regularly for tears or damage. Replace shake-out bag if damaged or torn.

## Cleaning or Replacing the HEPA Pre-Motor Filter

Important Please Note: The HEPA pre-motor filter will stop most of the tiniest dust particles and airborne allergens from re-entering the air you breathe. Because of this incredible filtration performance, the HEPA pre-motor filter will accumulate many fine dust particles that are difficult to see. Be assured that the HEPA pre-motor filter is doing the job. Clean the HEPA pre-motor filter when dirty as described in this section.

1. Remove the shake-out bag from the canister. The HEPA pre-motor filter is located underneath the shake-out bag. To remove the HEPA pre-motor filter, place your index finger underneath the edge of the pre-motor filter, and using your thumb press the tab toward the center of the filter to release, then lift the side of the HEPA pre-motor filter and pull upwards on filter.
2. Vigorously tap clean the HEPA pre-motor filter on a hard surface to remove any residual dust that might still be on the HEPA pre-motor filter.
3. You can wash the HEPA pre-motor filter by running it under the tap and allowing the water to run on the dirty side at least once a month or when suction appears to be decreased.
4. Shake off any excess water and allow to dry completely before reinserting it.
5. Replace the Pre-Motor Filter if it cannot be cleaned or if damaged.
6. To reinsert, place filter over the tabs and press down. You should hear two "clicks" if installed correctly. (Fig. 6)



(Fig. 6)

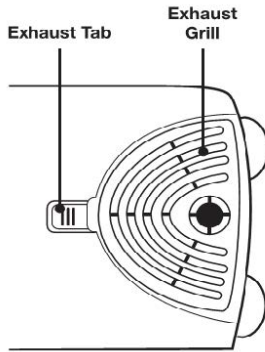
Wash or Replace at least once a year or when suction appears reduced.

### **WARNING**

Allow 24 hours for drying before replacing in unit.

## **Cleaning the Exhaust Filter**

1. Pull up and hold the exhaust tab and pull out the exhaust cover. (Fig. 7)
2. Remove the exhaust filter.
3. As necessary, hand wash or replace the cloth filter with tap water and let dry before reinserting it.



(Fig. 7)

## **HOW TO CHARGE THE BATTERY PACK**

When using the charger, basic precautions should always be followed, including the following:

# **Battery and Charging Safety**



To reduce the risk of electric shock, fire, battery explosion, or injury:

1. Basic information and warning for ATRIX Battery and Charger are contained below. For detailed usage and warning information, read the HOW TO CHARGE THE BATTERY PACK carefully before using this unit.
2. Use only the ATRIX Charger and ATRIX Battery Pack.
3. **DO NOT** expose battery pack to temperatures above 122°F (50°C). Never leave battery packs in automobiles on hot days, where temperatures can be much higher than the outside temperature.
4. **DO NOT** use or store vacuum or batteries in wet or moist conditions, or with flammable or combustible materials.
5. **DO NOT** charge batteries or store batteries for extended periods, 1 month or more, in temperatures above 90°F (32°C) or below 40°F (5°C).
6. When charging, make sure that the charger and battery has at least 6 inches of clearance on all sides. Adequate airflow is required to cool them during the process.
7. **DO NOT** use a damaged cord or plug for charging.
8. **DO NOT** pull on charger's cord to unplug. Grasp and pull the plug, not the cord.
9. **DO NOT** handle the charger's cord plug with wet hands when inserting into electrical outlet.
10. Keep sparks and flames away from batteries. Do not smoke near batteries or charger.
11. **DO NOT** charge the unit outdoors.
12. **DO NOT** attempt to repair, service, or modify the battery system or charger. Contact Atrix with any issues.
13. **DO NOT** short-circuit the battery or charger terminals with conductive items such as paper clips. This can deliver high current, resulting in heat and fire.
14. **DO NOT** crush, drop, incinerate or damage the battery pack. **DO NOT** use a battery pack that has been damaged in any way. **DO NOT** incinerate the battery even if it is severely damaged or non-working. The battery can explode in a fire.

## **SPECIFICATIONS AND PARTS**

### **Charger Specification:**

Charger input: 100-240V 50/60Hz AC

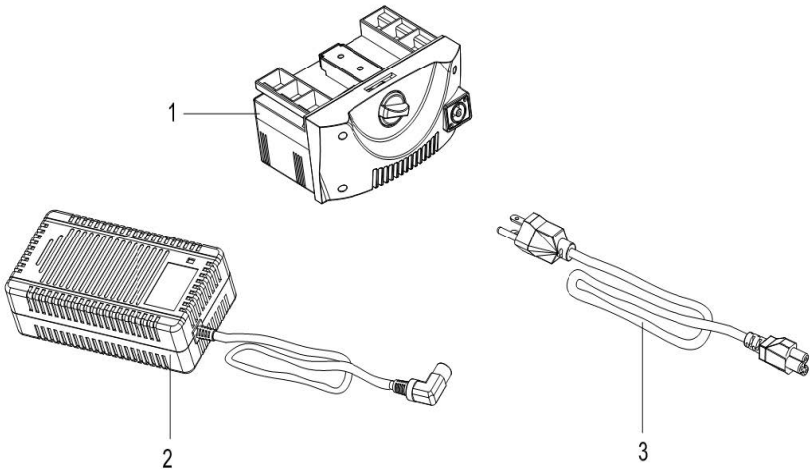
Charger output: 30V 4A

### **Battery Specification:**

Lithium Polymer chemistry 26V

Approximate charge time: 4 Hours

Approximate run time: 60 Minutes



1. 26V Battery Pack (BPAIBAT)
2. Battery Charger (BPAICHG)
3. Cord US, EURO, UK



## **OPERATION**

When using the charger, basic precautions should always be followed, including the following:

**Battery MUST be REMOVED from the Vacuum prior to charging. Failure to follow the warnings and instructions may result in shock, fire, property damage and or serious injury or death.**

## **CHARGING LITHIUM POLYMER BATTERY PACKS**

It is not necessary to drain the battery pack completely before recharging. If the charger's light is not lit at any point during the charging process, remove the battery pack from the charger to avoid damaging the product. DO NOT insert another battery. Contact Atrix with any issues.

## **BATTERY PROTECTION FEATURE**

The 26-volt Lithium Polymer batteries are designed with features that protect the Lithium Polymer cells and maximize battery life. There is a built-in BMS (Battery Management System) which controls the charging process and provides safety to the system. When the battery has reached its minimum voltage level the electronics will shut off the battery. Once the battery shuts off, it must be recharged. Batteries arrive with little or no power reserve. Please charge before using.

## **PREPARING BATTERY PACK FOR CHARGING**

**BATTERY MUST BE REMOVED FROM VACUUM PRIOR TO CHARGING AND DURING CHARGING PROCESS.**

1. Turn off the power switch.
2. Place vacuum on the floor and rest on its back (harness).
3. Unlock the battery pack by turning knob counterclockwise to the unlock position.
4. Place one hand on the vacuum just above battery, and place other hand under the battery with four fingers in the battery slot and thumb on top of battery.
5. Pull up on battery to remove.

6. Plug the charger's power cord into the charger.
7. Plug the round connector on the charger's cord into the battery pack.
8. Plug the charger's power cord into wall outlet.
9. The indicator light will turn red when charging and turn green when fully charged. The battery pack may require approximately 3.5 to 4 hours to fully charge.
10. If charging a warm battery (internal component temperature), which would be the case if charging right after vacuuming, the charger light will remain green until the components cool down. This is a safety measure built into the BMS (Battery Management System). The charging light may vacillate from green to red to green a few times during the charging process. If the internal component temperatures are very high, the charging process will take longer than 4 hours.
11. When finished charging, place vacuum on the floor and rest on its back (harness).
12. Insert battery and turn knob clockwise to the lock position.

Note: Battery pack and charger may get warm while charging.

## **Atrix ERGO PRO Cordless Backpack Vacuum WARRANTY INFORMATION**

**Warranty/Service Information, please contact Atrix.**

Atrix Ergo Pro Cordless Backpack Vacuum, Part no. VACBPAIC, Limited Warranty: To the original user purchasing the Atrix Ergo Pro Cordless Backpack Vacuum, Atrix warrants that the vacuum will be free of defects in material and manufacture for a period of one (1) year from the date of purchase. Should any failure to conform to this warranty appear within this period, contact Atrix.

**Per CFR 49, Lithium Ion batteries are considered "hazardous goods." As such, they are subject to SPECIAL handling and packaging regulations for ground and air shipping.**

**Proper shipping procedures compliant with CFR 49 MUST BE FOLLOWED.**

**Exclusions to warranty coverage:** The above warranty will not apply to any special configurations or to any units that have been modified, or damaged by negligence, misuse, accident or failure to follow Atrix's Instruction Manual. Consumable supplies, such as filters, accessories, and motor brushes are not covered by this warranty.

**Disclaimer of Warranty:** EXCEPT FOR THE IMPLIED WARRANTIES OF TITLE AND AGAINST PATENT INFRINGEMENT, ATRIX MAKES NO OTHER WARRANTIES WITH RESPECT TO THE ATRIX ERGO PRO CORDLESS BACKPACK VACUUM CLEANER, EXPRESS OR IMPLIED, INCLUDING BUT NOT LIMITED TO ANY IMPLIED WARRANTY OF MERCHANTABILITY OR FITNESS FOR A PARTICULAR PURPOSE.

**Limitation of Liability:** ATRIX WILL NOT BE LIABLE UNDER ANY CIRCUMSTANCES FOR ANY COINCIDENTAL, SPECIAL, OR CONSEQUENTIAL DAMAGES OR ECONOMICAL LOSS, BASED UPON BREACH OF WARRANTY, BREACH OF CONTRACT, NEGLIGENCE, STRICT LIABILITY IN TORT OR ANY OTHER LEGAL THEORY, EVEN IF ATRIX HAS BEEN ADVISED OF THE POSSIBILITY OF SUCH DAMAGES INCLUDING, BUT NOT LIMITED TO LOSS OF PROFITS, REVENUE, EQUIPMENT USE, DATA OR INFORMATION OF ANY KIND. THE LIABILITY OF ATRIX SHALL NOT UNDER ANY CIRCUMSTANCE, EXCEPT AS EXPRESSLY PROVIDED HEREIN, EXCEED THE PRICE OF THE ATRIX ERGO PRO CORDLESS BACKPACK VACUUM.

**To Register your Warranty Visit:**  
**[www.atrrix.com](http://www.atrrix.com)**