

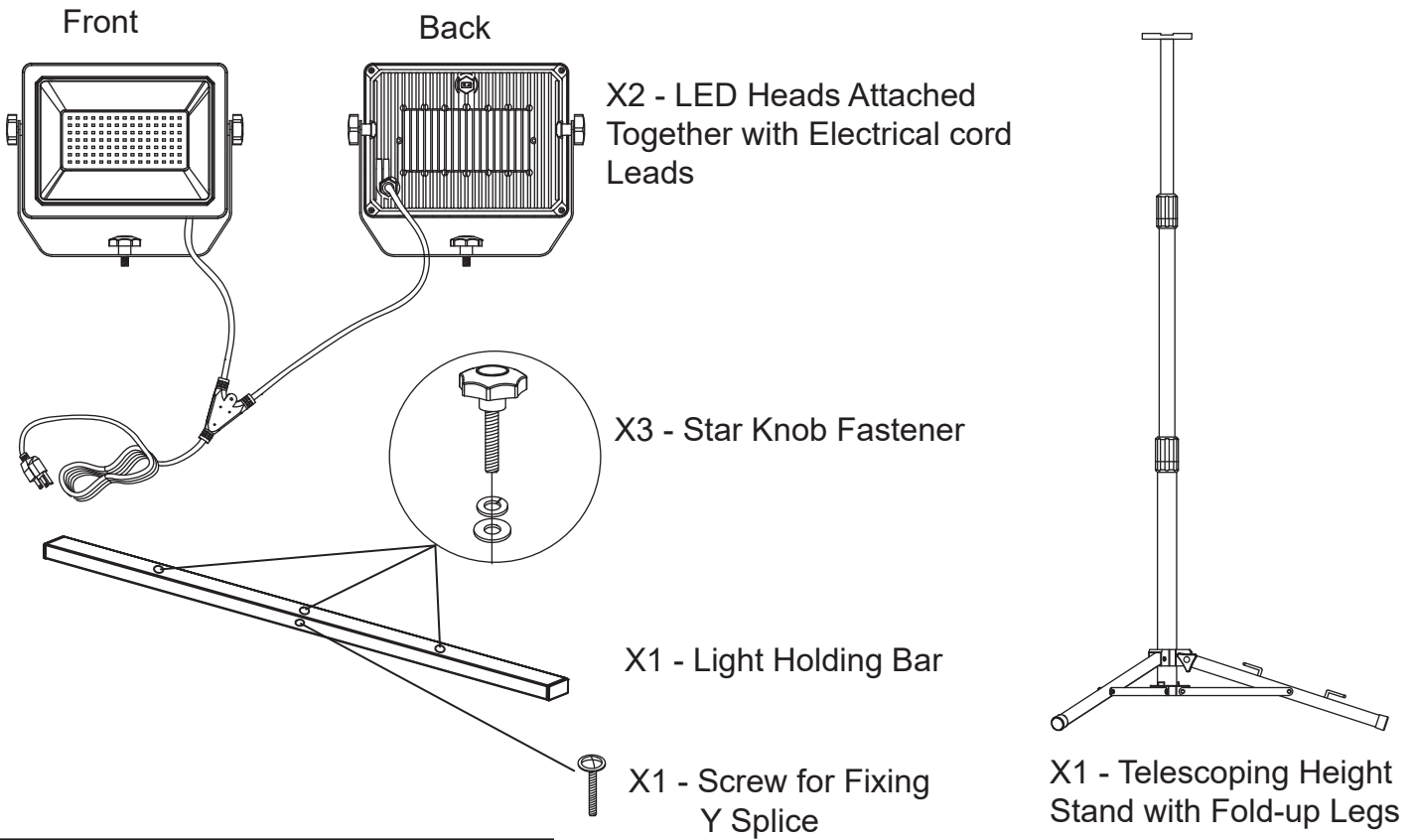


**Questions, problems, missing parts?**

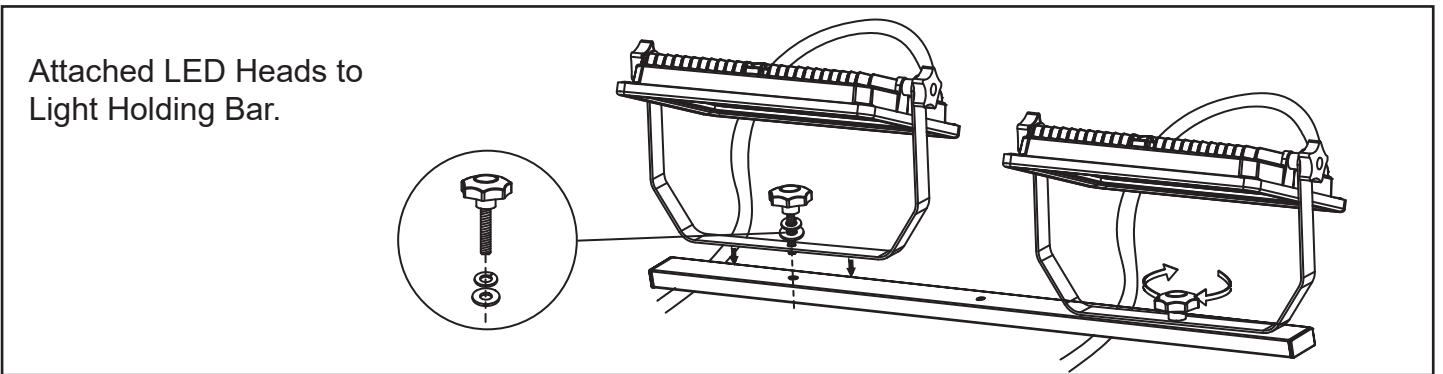
Do not return this product to the stores. Please call our customer service at 1-855-508-3883 Monday - Friday 9:00 a.m. - 5:00 p.m. CST



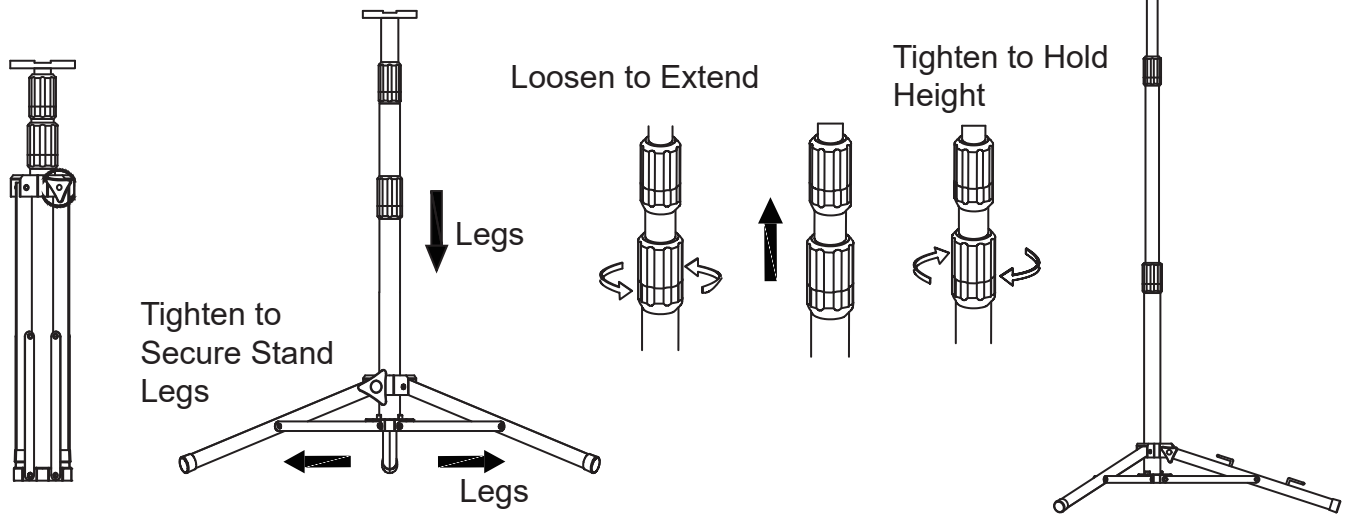
**PACKAGE CONTENTS**



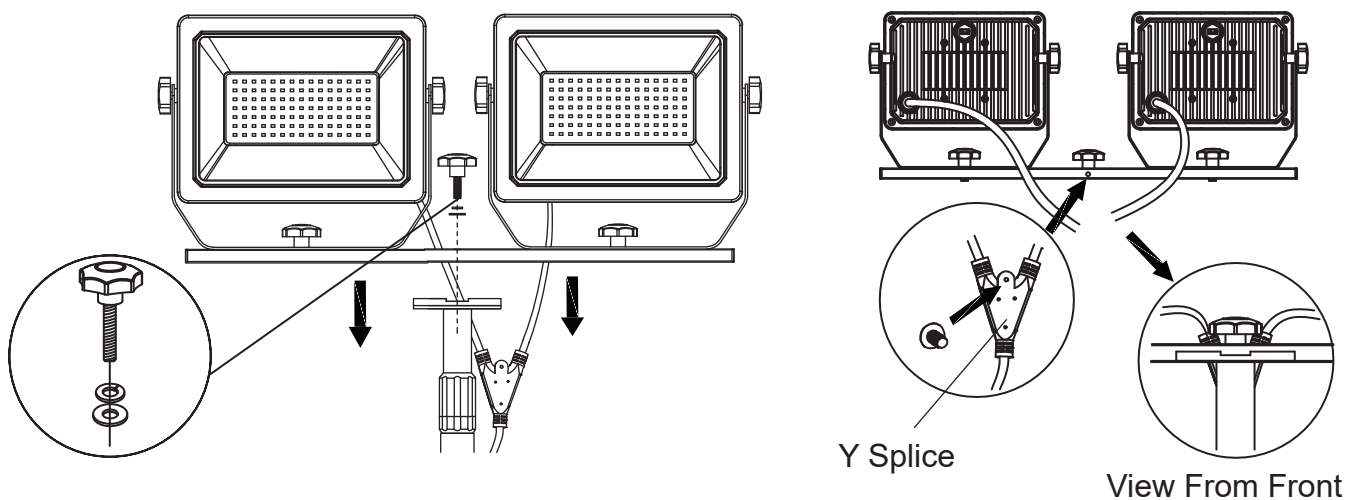
**ASSEMBLY INSTRUCTIONS**



### Set Legs and Adjust Height



### Attach Light Holding Bar and Electrical Cord to Stand Front



## **! SAFETY INFORMATION**

### WARNING

1. DO NOT plug in the work light before completing assembly.
2. NEVER operate the light with the lens cover off and the lamp exposed.
3. DO NOT look directly at the LED Lens.
4. The unit can become extremely hot while in operation. Please allow light's temperature to properly cool before moving or touching.
5. DO NOT alter or disassemble the fixture.
6. Use in 120V, 60Hz only.
7. NEVER submerge the light and or cord in water.
8. Always keep the work light away from any flammable surfaces or materials.



## CAUTION

1. While ON, avoid touching the product's surface(s) during adjustments or in normal operation.
2. Avoid long duration of direct eye contact with light while in operation.
3. Integrated LED's never need to be replaced.
4. Suitable for use(s) around wet locations and in operating environments ranging between -4° to 113°F (-20°C to 45°C).

## LIGHT OPERATION

Press ON/OFF button located on the back of each light.

## CARE AND MAINTENANCE

1. WARNING - Always make sure that the work light is unplugged and cooled down before attempting to clean it.
2. Using a soft cloth, clean the fixture using a mild, non-abrasive glass cleaner. DO NOT use solvents. DO NOT use cleaners containing abrasive agents. NEVER spray liquid cleaner directly onto the light.
3. STORAGE - Always allow the work light to cool down completely before storing. Store in a safe place, out of the reach of children.

## TROUBLESHOOTING

PROBLEM	POSSIBLE CAUSE	CORRECTIVE ACTION
The work light will not operate.	The power is off.	Check to ensure the power supply is on.
	The switch is off.	Check to ensure the switch is in the ON position.
	Improper voltage or power supply.	The work light will only operate on standard household 120V AC/ 60 Hz power.

## 5 YEAR LIMITED WARRANTY



This product is guaranteed against failure due to the factory defects in materials workmanship for five years from the date of purchase. This warranty does not cover normal wear of parts or damage resulting from any misuse of the product.

Important: This warranty is only valid if the product has been purchased through an authorized reseller. Proof of purchase is required for repair or replacement. Misuse of the product includes but is not limited to: washing the product, using in extreme weather conditions, opening the product, or altering the product.

## CUSTOMER SERVICE

For question/comments, please contact at **1-855-508-3883**.