

# Wireless Under Cabinet Bluetooth / CD / Radio Music System

User's Guide for Model IKBC384S v1582-01



## FCC WARNINGS

Warning: Changes or modifications to this unit not expressly approved by the party responsible for compliance could void the user's authority to operate the equipment.

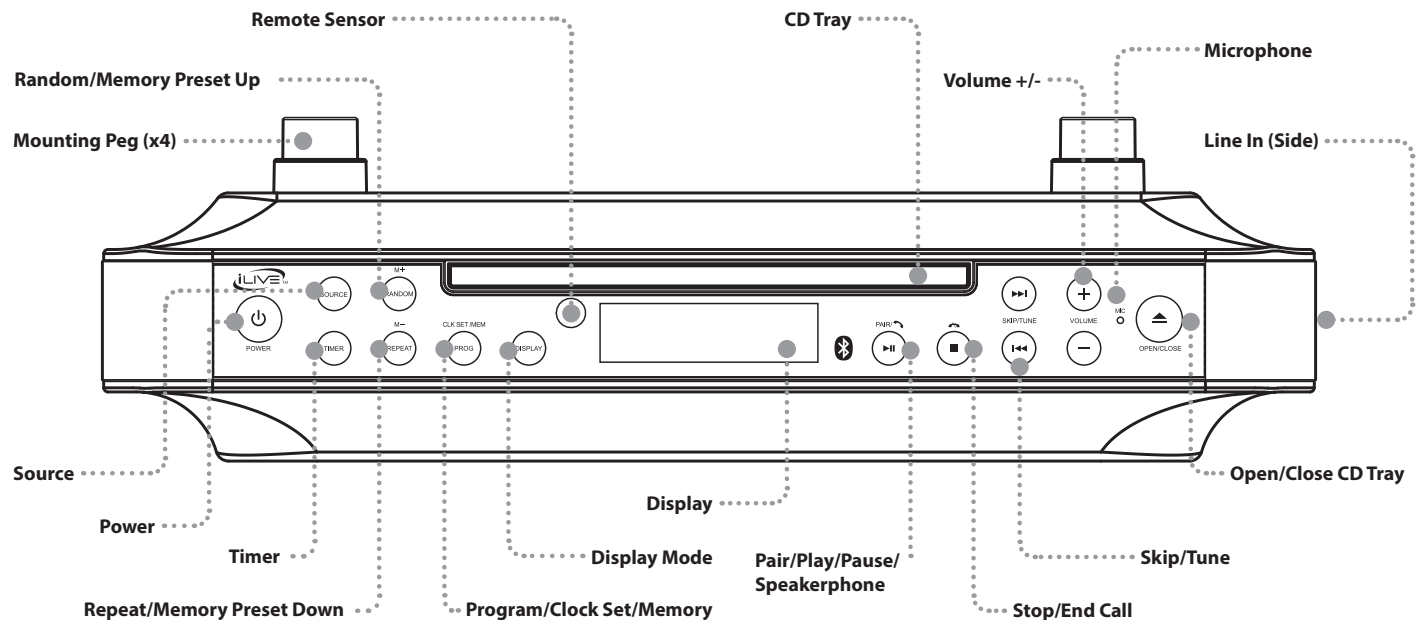
NOTE: This equipment has been tested and found to comply with the limits for a Class B digital device, pursuant to Part 15 of the FCC Rules. These limits are designed to provide reasonable protection against harmful interference in a residential installation. This equipment generates, uses, and can radiate radio frequency energy and, if not installed and used in accordance with the instructions, may cause harmful interference to radio communications. However, there is no guarantee that interference will not occur in a particular installation. If this equipment does cause harmful interference to radio or television reception, which can be determined by turning the equipment off and on, the user is encouraged to try to correct the interference by one or more of the following measures:

- Reorient or relocate the receiving antenna.
- Increase the separation between the equipment and receiver.
- Connect the equipment into an outlet on a circuit different from that to which the receiver is connected.
- Consult the dealer or an experienced radio/TV technician for help.

## ADDITIONAL WARNINGS AND PRECAUTIONS

- **CAUTION:** TO PREVENT ELECTRIC SHOCK, MATCH WIDE BLADE OF PLUG TO WIDE SLOT, FULLY INSERT.
- Mains plug is used as disconnect device and it should remain readily operable during intended use. In order to disconnect the apparatus from the mains completely, the mains plug should be disconnected from the mains socket outlet completely.
- **WARNING:** Shock hazard - Do Not Open.
- Caution and marking information is located at the rear or bottom of the apparatus.
- Objects filled with liquids, such as vases, shall not be placed on the apparatus.
- **WARNING:** To reduce the risk of fire or electric shock, do not expose this apparatus to rain, moisture, dripping, or splashing.
- **CAUTION:** Use of controls or adjustments or performance of procedures other than those specified may result in hazardous radiation exposure.
- **WARNING:** Changes or modifications to this unit not expressly approved by the party responsible for compliance could void the user's authority to operate the equipment.
- **WARNING:** Use of this unit near fluorescent lighting may cause interference regarding use of the remote. If the unit is displaying erratic behavior move away from any fluorescent lighting, as it may be the cause.
- **CAUTION:** Danger of explosion if battery is incorrectly replaced. Replace only with the same or equivalent type.
- **WARNING:** The remote control's button cell battery contains mercury. Do not put in the trash, instead recycle or dispose of as hazardous waste.
- This product is supplied with a coin/button cell battery. If the coin/button cell battery is swallowed, it can cause severe internal burns and can lead to death.
- Battery shall not be exposed to excessive heat such as sunshine, fire or the like.
- Keep new and used batteries away from children. If the battery compartment does not close securely, stop using the product and keep it away from children.
- If you think batteries might have been swallowed or placed inside any part of the body, seek immediate medical attention.
- Do not mix old and new batteries.
- Completely replace all old batteries with new ones.
- Do not mix alkaline, standard (carbon-zinc), or rechargeable (ni-cad, ni-mh, etc) batteries.
- Batteries should be recycled or disposed of as per state and local guidelines.
- **WARNING:** This product may contain chemicals known to the State of California to cause birth defects, or other reproductive harm (California Prop 65). Wash hands after handling.
- This product meets and complies with all Federal regulations.

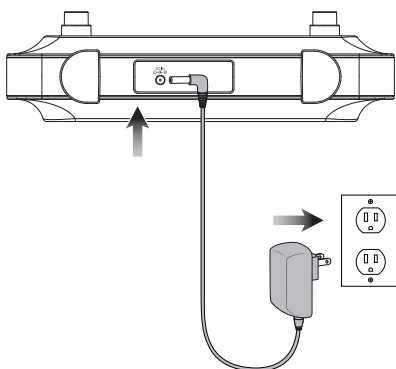
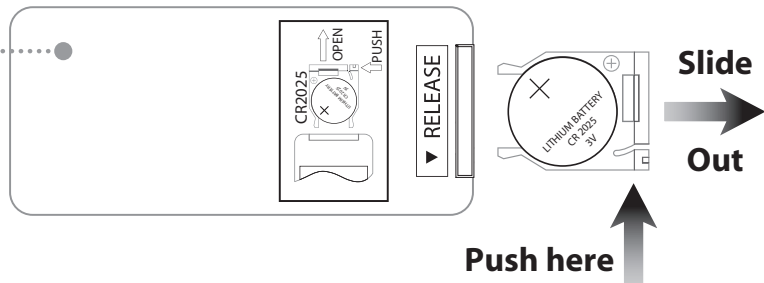
## Orientation



### Remote Battery

Requires 1 CR2025 button cell battery (included)

All of the above controls are duplicated on the unit's remote control.



### AC Power (Rear View)

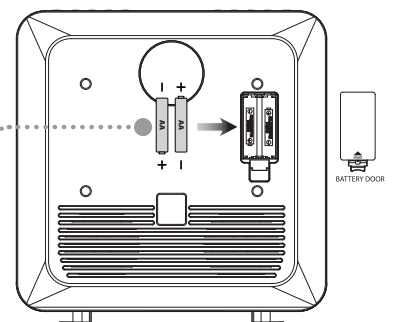
To power the unit, plug the built-in AC Power cord into a standard wall outlet.

When mounting unit under a cabinet, allow enough room to fit the 90° adapter plug in the space.

### Battery Backup (Bottom View)

Requires 2, AA-size, batteries (not included).

The battery backup is intended for short power outages only. The unit's primary functions cannot run on the battery backup alone.



---

## Clock & Timer

---

### Setting the Clock

1. With the power off, press and hold the **Clk Set/Mem** button.  
*The hour on the display will begin flashing.*
2. Press the **Tune +/-** buttons to adjust the hour.
3. Press the **Clk Set** button again to adjust the minutes.  
*The minutes on the display will begin flashing.*
4. Press the **Tune +/-** buttons to adjust the minutes.
5. Press the **Clk Set** button to finish setting the time, or wait for the display to stop flashing.

### Setting the Timer

1. With the power off, press the **Timer** button. *The display will flash.*
2. Press the **Timer** buttons to adjust the timer in increments of 10 min.
3. Press the **Tune +/-** buttons to adjust the timer in increments of 1 min.
4. Wait for the display to stop flashing.
5. After the set time has expired, the under cabinet music system will sound an alarm.

### Disabling the Timer

To cancel the alarm after it has sounded, press the **Power** button.

To cancel the timer before the alarm has sounded, press the **Timer** button until the display reads 000 and the timer light is no longer lit.

---

## CD

---

Note: This unit is not compatible with MP3 CDs.

### Loading and Playing a CD

1. Open the **CD Door**.
2. Place a CD into the tray, label side facing up.
3. Close the **CD Door**.
4. Press the **Source** button to switch to CD mode.
5. Press the **Play/Pause** button to begin playing the loaded CD.
6. Press the **Skip/Tune** buttons to cycle through tracks.

### Programming a CD

1. Press the **Stop** button to stop the CD during play.
2. Press the **Prog** button.
3. "PROG" will begin to blink on the display.
4. Press the **Tune +/-** buttons to select a track.
5. Press the **Program** button to save the selected track to the program.
6. Repeat steps 4 and 5 to program up to 20 tracks.

---

## Radio

---

### Radio Reception

An **FM Antenna** is built into the unit. To improve FM radio reception, adjust the position of the unit.

### Tuning the FM Radio

1. Press the **Power** button to turn the under cabinet music system on.
2. Press the **Source** button to switch to FM Radio Mode.
3. Press the **Tune +/-** button to tune the radio manually.
4. Hold down the **Tune +/-** button to scan for available stations.

---

## Radio

---

### Saving and Playing a Station as a Preset

1. Tune to the desired station.
2. Press the **Clk Set/Mem** button.  
*Preset number will appear on the display.*
3. Press the **M +/-** buttons to adjust to the desired preset number.
4. Press the **Clk Set/Mem** button to save the current radio station to the selected preset.
5. Press the **M +/-** buttons to cycle through preset radio stations.

---

## Bluetooth & Line In

---

### Pairing a Bluetooth Device for the First Time

1. Power on the unit by pressing the **Power** button.
2. Press and hold the **Pair** button. The Pairing Indicator will begin flashing quickly. *When pairing, remain within 3 feet of the unit.*
3. Using the native controls on your Bluetooth device, select the **IKBC384** in your Bluetooth settings to pair.
4. If your device requests a password, enter the default password **0000**.
5. Refer to the user's manual for your specific device for instructions on pairing and connecting Bluetooth devices.
6. When successfully paired and connected, the Pairing Indicator will be solid.
7. After initial pairing, the unit will stay paired unless unpaired manually by the user or erased due to a reset of the device.
8. If your device should become unpaired or you find it is unable to connect, repeat the above steps or press the **Pair** button to start the pairing process again.

### Playing Audio through Bluetooth

1. After successfully pairing to a device, use the native controls on the connected Bluetooth Device to select a track.
2. To play or pause the selected track, use the native controls on the connected Bluetooth Device, or the **Play/Pause** button on the unit.
3. To skip forward or back on the selected track, use the native controls on the connected Bluetooth Device, or the **Skip/Tune +/-** buttons on the unit.
4. Audio played through the connected Bluetooth device will now be heard through the speakers.

### Using the Speakerphone

1. When a call is received, a ringtone will sound through the unit.
2. Press the **Call** button to accept the call, or accept the call using the controls on the connected phone.
3. The incoming call received through the device will now be heard through the headphones.
4. To end the call, press the **End Call** button or end the call using the controls on the connected device.

### Using the Audio Input

Requires a 3.5mm audio cable (not included).

1. Connect a 3.5mm audio cable to the **Line In Input** on the side of the unit and the **audio output** on an audio device.
2. Press the **Power** button to turn the unit on.
3. Press the **Source** button to switch to **Line In mode**.
4. Use the native controls on the connected device to play your audio through the unit.

---

## International Support

---

To download this User's Guide in English, Spanish, or French, or to get answers to frequently asked questions, visit the support section at: [www.iLiveElectronics.com](http://www.iLiveElectronics.com)

Para descargar este Manual del Usuario en inglés, español y francés, o para obtener respuestas a preguntas frecuentes, visite la sección de apoyo en: [www.iLiveElectronics.com](http://www.iLiveElectronics.com)

Pour télécharger ce guide de l'utilisateur en anglais, espagnol ou français, ou pour obtenir des réponses à des questions fréquemment posées, consultez la rubrique d'assistance sur: [www.iLiveElectronics.com](http://www.iLiveElectronics.com)

For Warranty Information and the most up-to-date version of this User's Guide, go to [www.iLiveElectronics.com](http://www.iLiveElectronics.com)

**Customer Service:** 1-888-999-4215 | **Email Support:** [prodinfo@dpiinc.com](mailto:prodinfo@dpiinc.com) | **Email Parts:** [partsinfo@dpiinc.com](mailto:partsinfo@dpiinc.com)

Copyright © 2016 Digital Products International (DPI, Inc.) All other trademarks appearing herein are the property of their respective owners. Specifications are subject to change without notice.



**Protect for Today  
Sustain for Tomorrow**