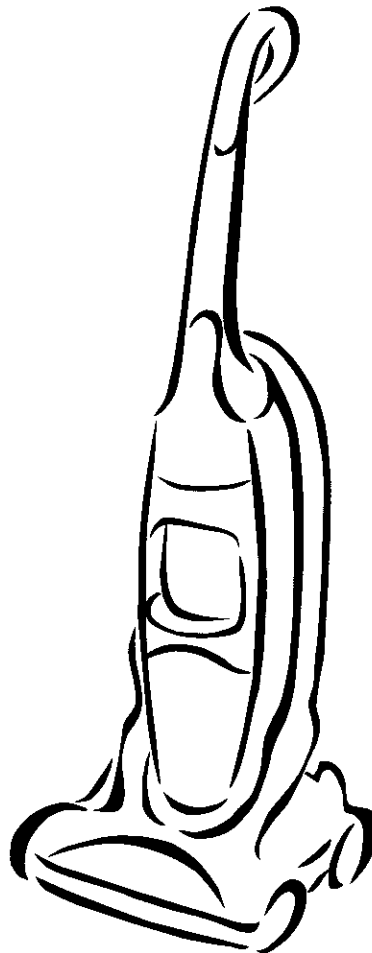


**Owner's Manual**  
**Manual Del Propietario**



**Vacuum Cleaner**  
**Aspiradora**

Model , Modelo 116.34728  
116.34729



ENGLISH

ESPAÑOL

**CAUTION:**

Read and follow all safety and operating instructions before first use of this product.

**CUIDADO:**

Lea y siga todas las instrucciones de operación y seguridad antes del uso de este producto.

Sears, Roebuck and Co., Hoffman Estates, IL 60179 U.S.A.  
[www.sears.com](http://www.sears.com)

Part No. C01ZCKP00U00-KC01ZCKPZ0U0

Impreso en Mexico  
Printed in Mexico

## TABLE OF CONTENTS

<b>Before Using Your New Vacuum Cleaner</b> .....	2	Vacuuming Tips .....	10
<b>Kenmore Vacuum Cleaner Warranty</b> .....	2	Performance Features .....	11
<b>Important Safety Instructions</b> .....	3	<b>Vacuum Cleaner Care</b> .....	13
<b>Parts and Features</b> .....	4	Vacuum Cleaner Storage .....	13
<b>Assembly Instructions</b> .....	5-6	Cleaning Exterior and Attachments .....	13
<b>Operating Instructions</b> .....	6	Dust Bin Cleaning .....	14-15
Getting Started .....	6	Filter Screen Cleaning .....	15
Pile Height Selection and Setting .....	7	Filter Changing/Cleaning .....	16
On/Off Switch .....	7	Belt Changing and Agitator Cleaning .....	17-19
Variable Power Control .....	8	Clog Removal .....	20
Releasing the Handle .....	8	Light Bulb Changing .....	21
Carpet/Bare Floor Selector .....	8	<b>Troubleshooting</b> .....	22
Attachments .....	9	<b>Requesting service</b> .....	(back page)
Attachment Use Chart .....	10		

### BEFORE USING YOUR NEW VACUUM CLEANER

Please read this guide. It will help you assemble and operate your new Kenmore vacuum cleaner in the safest and most effective way.

For more information about vacuum cleaner care and operation, call your nearest Sears store. You will need the complete model and serial numbers when requesting information. Your vacuum cleaner's model and serial numbers are located on the Model and Serial Number Plate.

Use the space below to record the model number and serial number of your new Kenmore vacuum cleaner.

Model No. \_\_\_\_\_

Serial No. \_\_\_\_\_

Date of Purchase \_\_\_\_\_

Keep this book and your sales check (receipt) in a safe place for future reference.

### KENMORE VACUUM CLEANER WARRANTY

#### LIMITED ONE YEAR WARRANTY ON KENMORE VACUUM CLEANER

This warranty is for one year from the date of purchase, and includes only private household vacuum cleaner use. During the warranty year, when this vacuum cleaner is operated and maintained according to the owner's manual instructions, Sears will repair any defects in material or workmanship free of charge.

This warranty excludes vacuum bags, belts, light bulbs, and filters, which are expendable parts and become worn during normal use.

For warranty service, return this vacuum cleaner to the nearest Sears Service Center in the United States.

This warranty applies only while this product is in use in the United States. This warranty gives you specific legal rights, and you may also have other rights which vary from state to state.

Sears, Roebuck and Co., D/817 WA, Hoffman Estates, IL 60179

# IMPORTANT SAFETY INSTRUCTIONS



## WARNING

Your safety is important to us. To reduce the risk of fire, electrical shock, injury to persons or damage when using your vacuum cleaner, follow basic safety precautions including the following:

**Read** all instructions in this manual before assembling or using your vacuum cleaner.

**Use** your vacuum cleaner only as described in this manual. Use only with Sears recommended attachments.

**Disconnect** electrical supply before servicing or cleaning out the brush area. Failure to do so could result in electrical shock or injury from moving parts.

**Do not** leave the vacuum cleaner when plugged in. Unplug from outlet when not in use and before servicing.

To reduce the risk of electrical shock - Do not use outdoors or on wet surfaces.

**Do not** allow to be used as a toy. Close attention is necessary when used by or near children.

**Do not** use with a damaged cord or plug. If vacuum cleaner is not working as it should, has been dropped, damaged, left outdoors, or dropped in water, return it to a Sears Service Center.

**Do not** pull or carry by cord, use cord as a handle, close a door on cord, or pull cord around sharp edges or corners. Do not run vacuum cleaner over cord. Keep cord away from heated surfaces.

**Do not** unplug by pulling on cord. To unplug, grasp the plug, not the cord.

**Do not** handle plug or vacuum cleaner with wet hands.

**Do not** put any objects into openings.

**Do not** use with any opening blocked; keep free of dust, lint, hair, and anything that may reduce air flow.

**Keep** hair, loose clothing, fingers, and all parts of body away from openings and moving parts.

**Turn off** all controls before unplugging.

**Use** extra care when cleaning on stairs. Do not rest vacuum cleaner on steps. Do not put on chairs, tables, etc. Keep on floor.

**Do not** use vacuum cleaner to pick up flammable or combustible liquids (gasoline, cleaning fluid, perfumes, etc.), or use in areas where they may be present. The fumes from these substances can create a fire hazard or explosion.

**Do not** pick up anything that is burning or smoking, such as cigarettes, matches, or hot ashes.

**Do not** use vacuum cleaner without dust bag and/or filters in place.

**Always** change the dust bag after vacuuming carpet cleaners or freshener, powders, and fine dust. These products clog the bag, reduce airflow and can cause the bag to burst. Failure to change the bag promptly could cause permanent damage to the vacuum cleaner.

**Do not** use the vacuum cleaner to pick up sharp hard objects, small toys, pins, paper clips, etc. They may damage the vacuum cleaner or dust bag.

**Unplug** before connecting Handi-mate Jr. (if applicable). Keep hands away from bristles when unit is on.

**You** are responsible for making sure that your vacuum cleaner is not used by anyone unable to operate it properly.

**Do not** extend the stretch hose, extension hose or hose combination beyond its reach. Doing so can cause the vacuum cleaner to tip and may cause personal injury or property damage.

ENGLISH

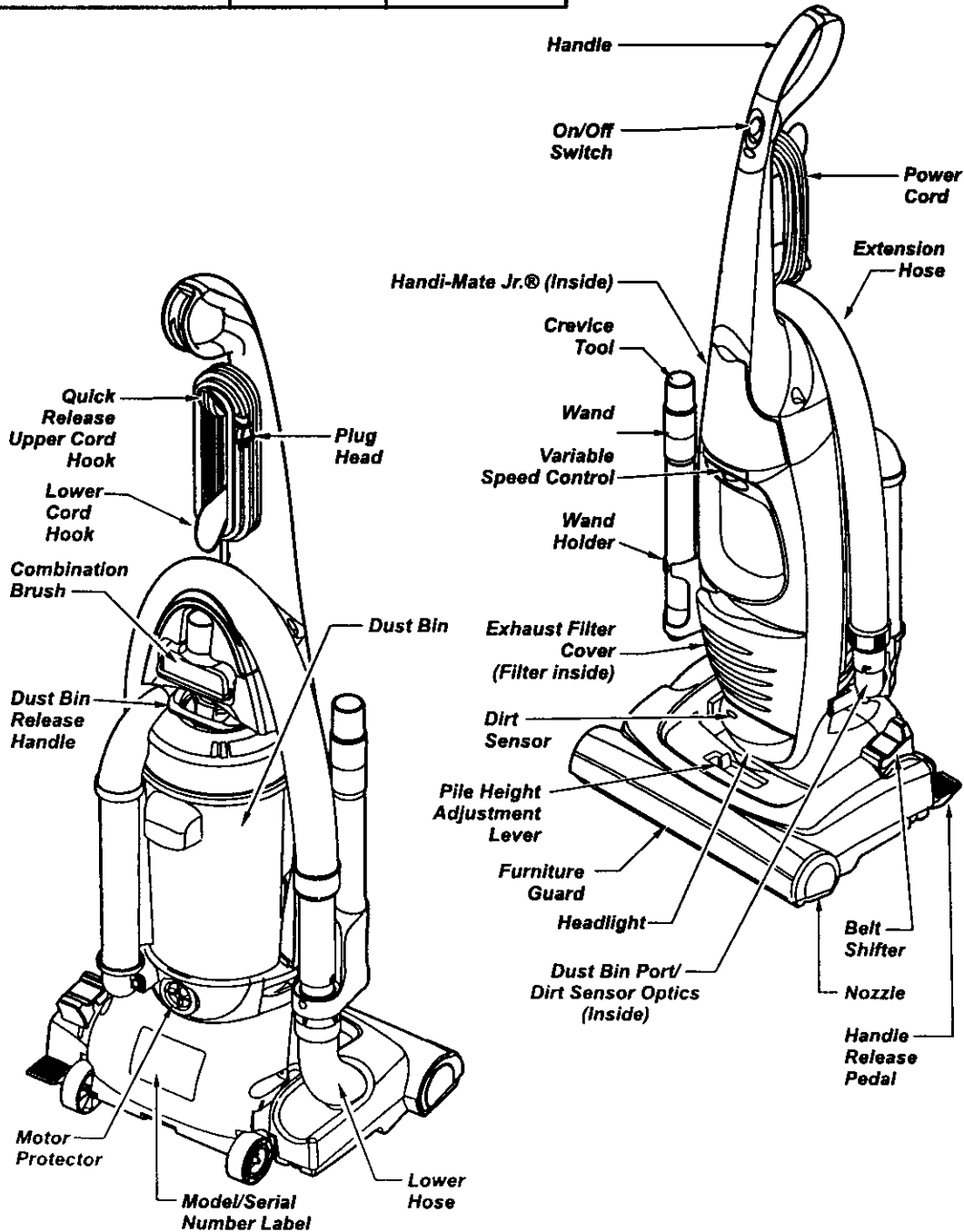
## SAVE THESE INSTRUCTIONS

Proper assembly and safe use of your vacuum cleaner are your responsibilities. Your vacuum cleaner is intended for **Household use**. Read this Owner's Manual carefully for important use and safety information. This guide contains safety statements under warning and caution symbols.

## PARTS AND FEATURES

Item	Part No. In U.S.	Part No. In Canada
Exhaust Filter	20-86889	20-86889C
Primary Filter	20-82720	20-82720
Headlight Bulb	20-5248	20-40300
Belt	20-5275	20-40096

It is important to know your vacuum cleaner's parts and features to assure its proper and safe use. Review these before using your vacuum cleaner.





Please pay special attention to these hazard alert boxes, and follow any instructions given. **WARNING** statements alert you to such dangers as fire, electric shock, burns and personal injury. **CAUTION** statements alert you to such dangers as personal injury and/or property damage.

## ASSEMBLY INSTRUCTIONS



### WARNING

#### Electrical Shock Hazard

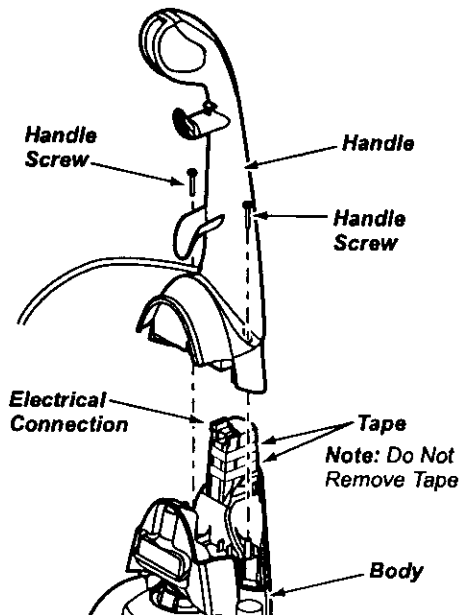
Do not plug into the electrical supply until the assembly is complete. Failure to do so could result in electrical shock or injury.

Before assembling the vacuum cleaner, check the **PACKING LIST** on the cover of the separate Repair Parts List. Use this list to verify that you have received all the components of your new Kenmore vacuum cleaner.

Remove tape from dust bin release handle.

### HANDLE ASSEMBLY

Remove the two (2) handle screws located in the body.



Position the handle as shown in the illustration below.

When installing the handle, firmly press the handle onto the body. Secure with handle screws provided.



### CAUTION

Do not overtighten.

Overtightening could strip the screw holes.

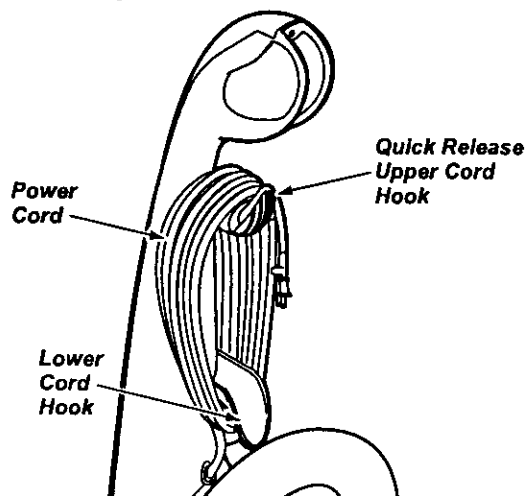
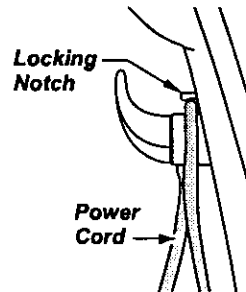
Do not operate the vacuum cleaner without the screws in place.

ENGLISH

### CORD ASSEMBLY

Make sure the quick release upper cord hook is in the upright position. Remove the wire tie from the power cord.

Lock the power cord into the locking notch base by pressing it into the quick release upper cord hook as shown. This helps keep the power cord out from under the vacuum cleaner agitator.



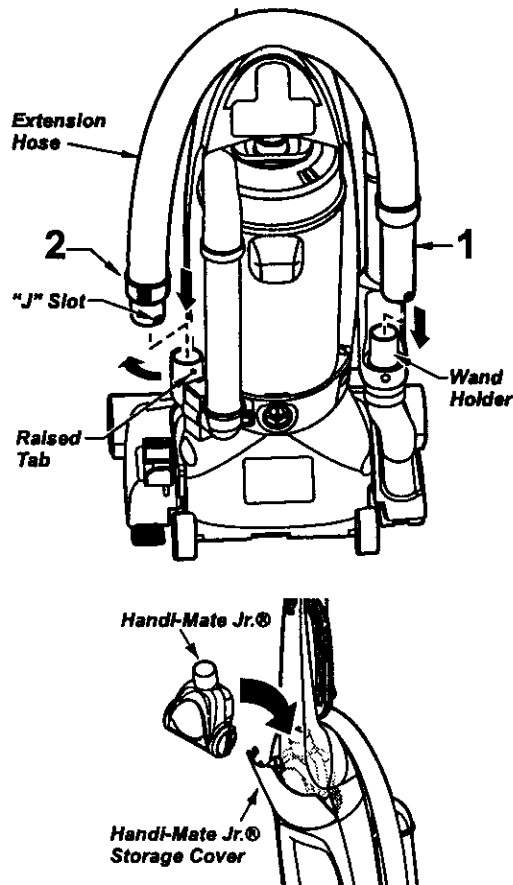
Wrap the power cord around the upper and lower cord hooks and lock the power cord plug onto the power cord.

## EXTENSION HOSE ASSEMBLY

1. Connect extension hose to the wand holder by twisting and pushing down over the wand holder to assure a good connection.
2. Connect the extension hose by aligning the "J" slot with raised tabs. Push downward and rotate clockwise to lock in place.

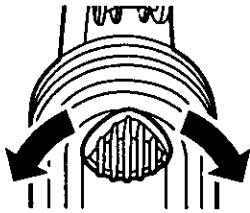
For use of extension wand and hose see **ATTACHMENTS** section.

Remove the Handi-Mate Jr. ® from the plastic bag and insert Handi-Mate Jr. ® into the vacuum cleaner as shown, then close the Handi-Mate Jr. ® storage cover.



## OPERATING INSTRUCTIONS

### CORD RELEASE



1. Turn the quick release upper cord hook to either side and down to release the power cord.
2. Release the power cord plug from the power cord and pull the cord off the quick release upper cord hook. Be sure the power cord is still locked into the locking notch on the upper cord hook.
3. Plug the polarized power cord into a 120 Volt outlet located near the floor.
4. To replace cord, turn upper hook counter-clockwise pointing up, then wrap cord.



### WARNING

To reduce the risk of electric shock, this vacuum cleaner has a polarized plug, (one blade is wider than the other.)



### WARNING

This plug will fit in a polarized outlet only one way. If the plug does not fit fully in the outlet, reverse the plug. If it still does not fit, contact a qualified technician to install the proper outlet. Do not change the plug in any way.



### WARNING

**Personal Injury and Product Damage Hazard**

- DO NOT plug in if switch is in the ON position. Personal injury or damage could result.
- DO NOT use outlets above counters. Damage from cord to items in surrounding area could occur.

## PILE HEIGHT SELECTION AND SETTING

### To select a pile height setting:

Turn off vacuum cleaner. Select a pile height setting by tilting the vacuum cleaner back until front wheels are lifted slightly off the floor.

Slide the adjustment lever to the correct setting.

### SUGGESTED PILE HEIGHT SETTINGS

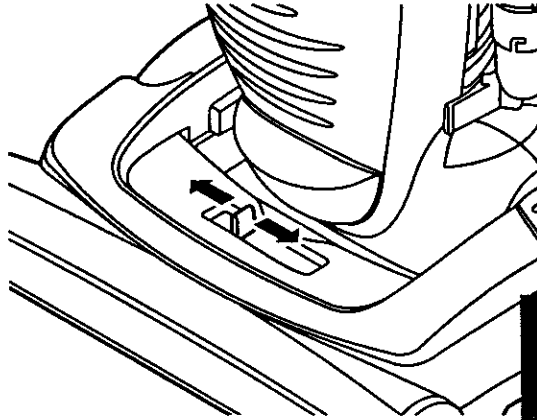
You may need to raise the height to make some jobs easier, such as scatter rugs and longer pile carpets. Suggested settings are:

**HIGH:** shag carpet, long pile, plush, scatter rugs.

**MED:** medium to long pile.

**LOW:** short to medium pile.

**EX LOW:** very low pile and bare floors.



ENGLISH



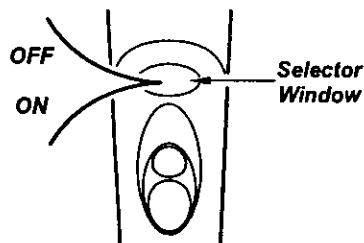
### WARNING

#### Personal Injury Hazard

To avoid personal injury, **DO NOT** place hands or feet underneath the unit when changing height setting.

## ON/OFF SWITCH

To start the vacuum cleaner, slide the **ON/OFF** switch from the **OFF** position to the **ON** position. To stop the vacuum cleaner, slide the **ON/OFF** switch to the **OFF** position.

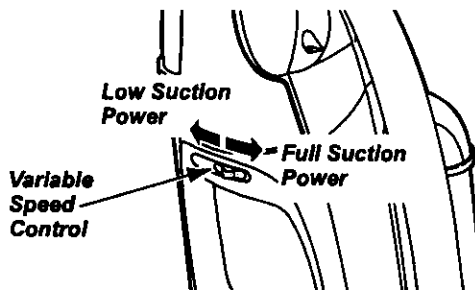


## VARIABLE POWER CONTROL

This vacuum cleaner is equipped with a variable power control which will allow you to select any cleaning power from low to high.

Set to **LOW** suction power for delicate fabrics such as draperies. Set to **MAX** or full power for more conventional carpet or bare floor cleaning.

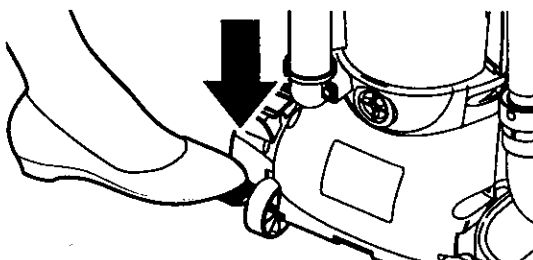
To set to **MAX** suction power, move the control knob fully to the right.



For deep cleaning set the power control to **MAX**.

## RELEASING THE HANDLE

Release the handle by pressing down on the handle release pedal with your foot and pulling back and down on the handle with your hand.



## CARPET/BARE FLOOR SELECTOR

**Bare floor setting:** Slide the carpet/bare floor selector all the way back and down toward the bottom of the nozzle until it locks into place.

In this position the brush assembly does not revolve. This setting should be used for cleaning hardwood and tile floors and **when any attachments (tools) are used**.

**Carpet setting:** Slide the selector **all the way forward** and up to the carpet position.

In this position the brush assembly will turn. When carpets are being cleaned the selector should be in this position.

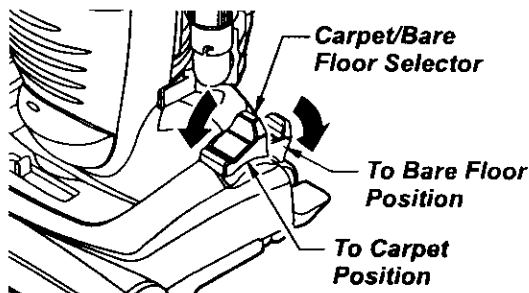
**Attention:** Refer to your carpet manufacturers cleaning recommendations. Some more delicate carpets may require that they be vacuumed with the agitator turned off, to prevent carpet damage.



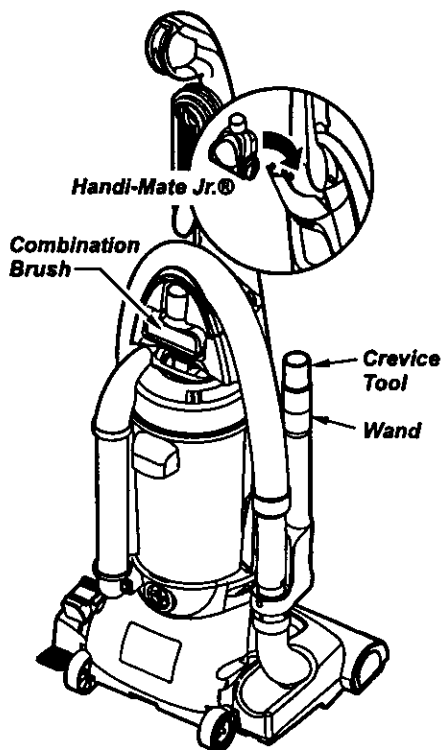
### CAUTION

Do not allow vacuum cleaner to remain in one spot for any length of time when the agitator is turning. Damage to carpet may occur.

**NOTE:** For longer belt life, turn vacuum off before moving selector. Failure to do so can cause the belt to rub on the selector shaft and may result in the belt becoming hot and creating a burning rubber smell.



## ATTACHMENTS



Identify each of the attachments shown above.

Remove the upper end of the hose that is attached to the wand holder by grasping the hose collar, twisting and pulling straight out. The attachments can now be added to the hose.

**Note:** The motor protector may open when using attachments or when cleaning new carpet, due to reduced airflow by the attachments themselves or by new carpet lint filling the dust bin quickly. See the **TROUBLESHOOTING** table.

**Note:** When using attachments make sure the vacuum cleaner is in the upright position and the Carpet/ Bare Floor selector is in the **BARE FLOOR** position.

### WARNING

**Electrical Shock And Personal Injury Hazard**

Disconnect electrical supply before servicing or cleaning the unit. Failure to do so could result in electrical shock or personal injury from vacuum cleaner suddenly starting.

To achieve maximum reach with the attachments, add the crevice tool to the end of the wand by inserting and twisting slightly.

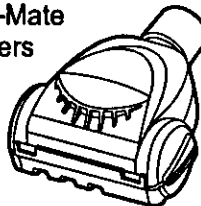
### CAUTION

When using attachments, be careful not to overextend the stretch hose when reaching. Trying to reach beyond the hose stretch capability could cause the vacuum cleaner to tip over.

ENGLISH

### Handi-Mate Jr.®

For operation of Handi-Mate Jr.® see separate owners manual



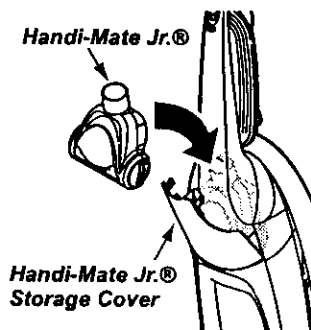
### TO STORE ATTACHMENTS

Remove combination brush from wand or hose. Snap into appropriate storage location.

Remove crevice tool from the wand by twisting. Place in end of wand.

Reattach the extension hose to the wand holder and place wand in slot on front of wand holder.




Reinsert Handi-Mate Jr.® into the vacuum cleaner as shown then close the Handi-Mate Jr.® storage cover.



### CAUTION

Attachments used in dirty areas, such as under refrigerator, should not be used on other surfaces until they are washed. They could leave marks.

## ATTACHMENT USE CHART

ATTACHMENTS	Furniture*	Between Cushions*	Drapes*	Stairs	Walls
CREVICE TOOL 	✓	✓		✓	
COMBINATION BRUSH 	✓		✓	✓	✓
Handi-Mate Jr. ® 	✓			✓	

\*Always clean attachments before using on fabrics. ✓ = Applicable

## VACUUMING TIPS

### Carpet edges

Guide either side or the front of the nozzle along a baseboard. The full width agitator brushes help remove dirt at carpet edges.

### Stairs

Set handle in full upright position. Set the Carpet/ Bare Floor selector to **BARE FLOOR** when using attachments to prevent possible floor damage. Use the crevice tool or combo brush.

For best cleaning results, keep the airflow passage clear.



### CAUTION

**Unplug the vacuum cleaner from the outlet before checking.**



### WARNING

#### Personal Injury Hazard

**Do not place the vacuum cleaner on the stairs. If may fall causing, personal injury or property damage.**

## PERFORMANCE FEATURES

### MOTOR PROTECTION SYSTEM

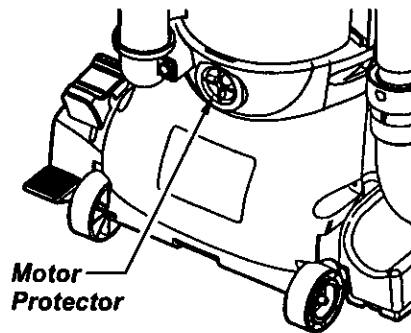
#### Thermal Protector

This vacuum cleaner has a thermal protector which automatically trips to protect the vacuum from overheating. If a clog prevents the normal flow of air to the motor, the thermal protector turns the motor off automatically. This allows the motor to cool in order to prevent possible damage to the vacuum cleaner.

**To correct problem:** If this occurs, turn the vacuum cleaner off and unplug the power cord from the outlet to allow the vacuum cleaner to cool and the thermal protector to reset. **Check for and remove clogs, if necessary. Also check and clean/replace any clogged filters. Wait approximately thirty (30) minutes and plug the vacuum cleaner in and turn back on to see if the motor protector has reset. The motor protector will not reset if the vacuum cleaner is not turned off even if the vacuum cleaner has cooled down.**

### MOTOR PROTECTOR

This vacuum cleaner is also equipped with a motor protector by-pass valve which automatically opens to provide cooling air to the motor when a clog prevents the normal flow of air to the motor. If the by-pass valve opens to prevent motor overheating and possible damage to the vacuum cleaner, you will notice a change of sound as air rushes through the valve opening.



ENGLISH

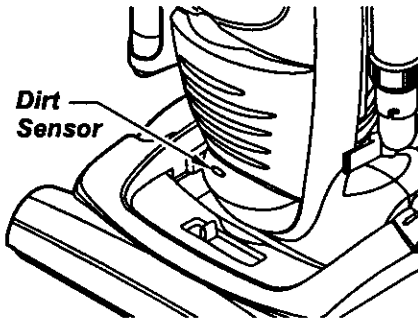
**Note:** Do not block motor protector.

**To correct problem:** See the TROUBLESHOOTING table.

**Note:** The motor protector may open when using attachments or when cleaning new carpet, due to reduced airflow caused by the attachments themselves or by new carpet lint filling the dust bin quickly. See the TROUBLESHOOTING table.

## DIRT SENSOR

The electronic dirt sensor is a feature which will detect particles as they pass through the vacuum cleaner.



The dirt sensor indicator is located on the front of the vacuum cleaner as illustrated.

A red light indicates dirt is being picked up by the vacuum cleaner.

## OPERATION

As you vacuum, the red indicator light will come on and stay on as long as the sensor detects a high concentration of particles passing through the vacuum cleaner.



## WARNING

**Electrical Shock And Personal Injury Hazard**

**Disconnect electrical supply before servicing or cleaning the unit. Failure to do so could result in electrical shock or personal injury from vacuum cleaner suddenly starting.**

## TO CLEAN DIRT SENSOR OPTICS

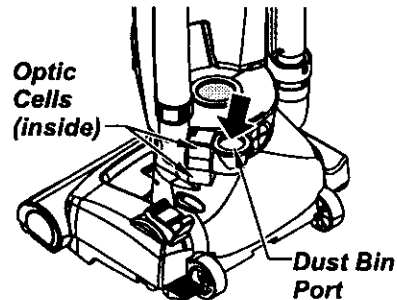
The dirt sensor optics consist of two optic cells located inside the dust bin port assembly. Occasionally, it may become necessary to clean the two optic cells to assure maximum performance.

Clean optic cells:

- When the red light stays on continuously.
- When dirt or dust adheres to the optic cells.
- Whenever the dust bin is cleaned.

To clean the dirt sensor optics, remove Dust Bin as outlined in the (Dust Bin Cleaning section).

With the dust bin removed you can insert a cloth into the dust bin port opening.



Wipe the optic cells with a soft, dry cloth.

Never use cleaners or liquids as they can help speed the recoating of the optic cells and make it necessary to clean them much sooner than normal.

## VACUUM CLEANER CARE

Always follow all safety precautions when cleaning and servicing the vacuum cleaner.



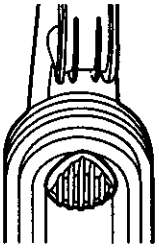
### WARNING

**Electrical Shock And Personal Injury Hazard**

**Disconnect electrical supply before performing maintenance to the unit. Failure to do so could result in electrical shock or personal injury from vacuum cleaner suddenly starting.**

## VACUUM CLEANER STORAGE

Gather the cord and wrap it loosely around the upper and lower cord hooks.



Store the vacuum cleaner in a dry, indoor area, on the floor with the handle locked in the upright position.



### WARNING

**Electrical Shock And Personal Injury Hazard**

**Wrapping the cord too tightly puts stress on the cord and can cause cord damage. A damaged cord is an electrical shock hazard and could cause personal injury or damage.**

## CLEANING EXTERIOR AND ATTACHMENTS

Unplug cord from wall outlet. **DO NOT** drip water on vacuum cleaner.

Clean exterior using a clean, soft cloth that has been dipped in a solution of mild liquid detergent and water, then wrung dry. Wipe dry after cleaning.

To reduce static electricity and dust build-up, wipe outer surface of vacuum cleaner and attachments.

Wash attachments in warm soapy water, rinse and air dry. **DO NOT** clean in dishwasher.



### CAUTION

**Do not use attachments if they are wet. Attachments used in dirty areas, such as under a refrigerator, should not be used on other surfaces until they are washed. They could leave marks.**

ENGLISH

## DUST BIN CLEANING

Always empty the dust bin when dirt level reaches the "MAXIMUM FILL" line.

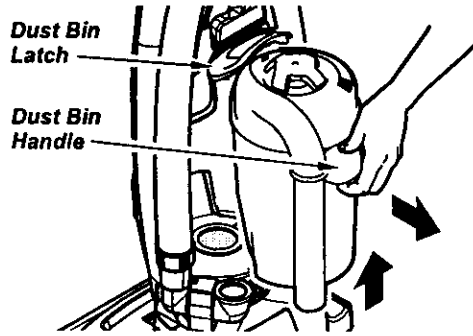
### TO REMOVE DUST BIN



### WARNING

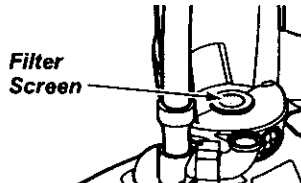
**Electrical Shock And Personal Injury Hazard**

Always unplug power cord from electrical outlet before performing any maintenance on vacuum cleaner.



Raise the dust bin latch. Grasp the handle located at the side. Lift up and out to remove dust bin from vacuum cleaner.

Remove any clogs that might be located in the dust bin port or the filter screen.

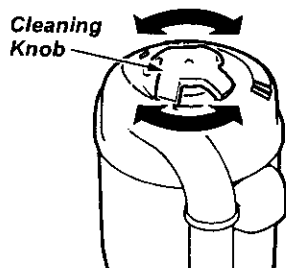


### CAUTION

Do not use dust bin handle to carry unit.

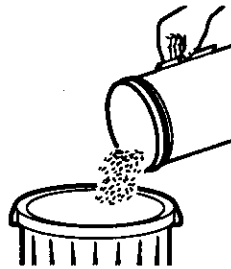
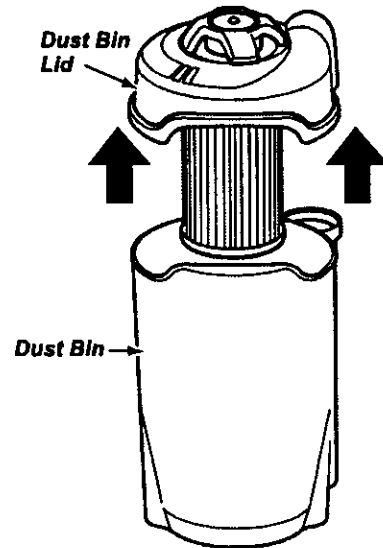
Do not carry dust bin by dust bin lid.

Every time dust bin is removed, rotate cleaning knob on top of dust bin until filter is clean to maintain cleaning performance.



### TO EMPTY DUST BIN

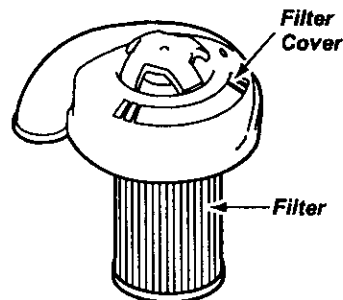
Hold dust bin over a trash container. Lift dust bin lid directly off the dust bin.



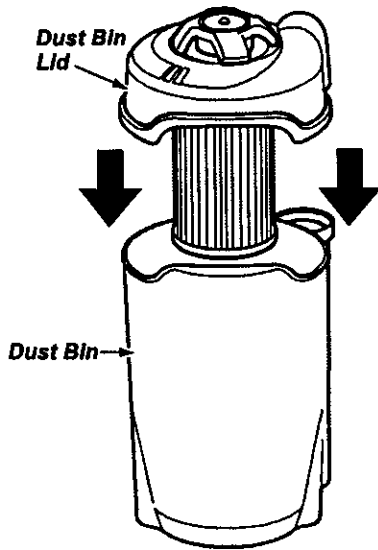
Pour dust bin contents into a trash container.

### TO CLEAN FILTER

See Filter Changing/Cleaning section.



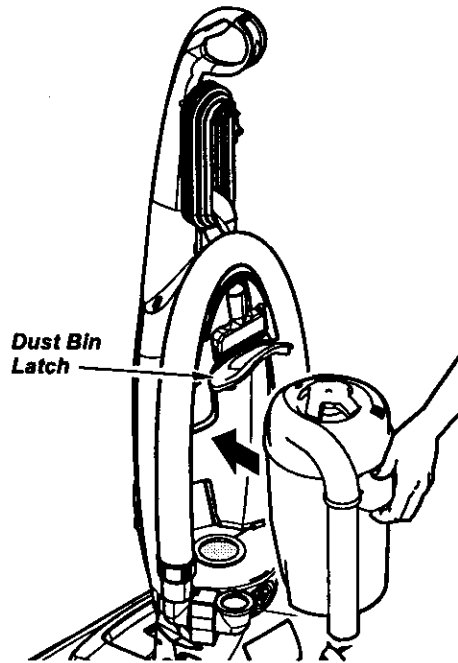
## TO REPLACE DUST BIN



Replace dust bin lid assembly by placing back on dust bin as shown.

Place dust bin into vacuum cleaner

Secure dust bin into place by closing the dust bin latch.

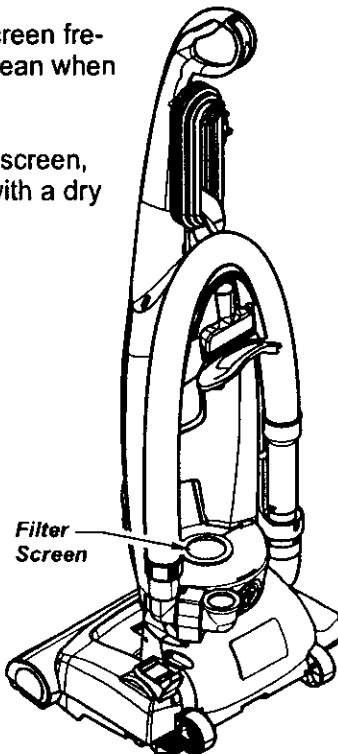


## FILTER SCREEN CLEANING

Remove the dust bin as outlined in the DUST BIN CLEANING section.

Check filter screen frequently and clean when dirty.

To clean filter screen, wipe screen with a dry cloth.



## FILTER CHANGING/CLEANING



### WARNING

#### Electrical Shock Hazard

Unplug power cord from electrical outlet. Do not operate the vacuum cleaner without the primary or exhaust filters. Be sure the filters are properly installed to prevent motor failure and/or electrical shock.

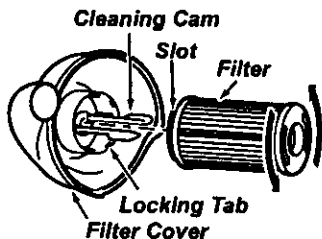
### PRIMARY FILTER

Check primary filter frequently and clean when dirty.

#### TO REMOVE PRIMARY FILTER

Remove the dust bin and dust bin lid assembly as outlined in the **DUST BIN CLEANING** section.

While holding primary filter over a trash container grasp filter, rotate and lift off.



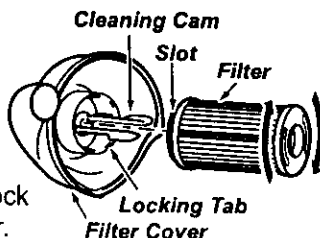
Clean primary filter by gently tapping over a trash container. Tap on several sides to ensure best cleaning. **Rinse with water only as needed**, do not use any detergent or soap. Allow the filter to dry for 24 hours before putting it back into the vacuum cleaner.

When cleaning the filter no longer restores vacuum suction to full power you need to replace the filter.

**Note:** See **PARTS AND FEATURES** for the filter number.

#### TO REPLACE PRIMARY FILTER

With slot side on filter towards the filter cover slide cleaning cam inside opening, rotate filter clockwise until slots lock onto tabs in cover.



**Note:** Under normal use and care, your filter can be expected to last up to 5 years.

Re-assemble dust bin lid to dust bin. Insert into vacuum cleaner and secure with dust bin latch.

### EXHAUST FILTER

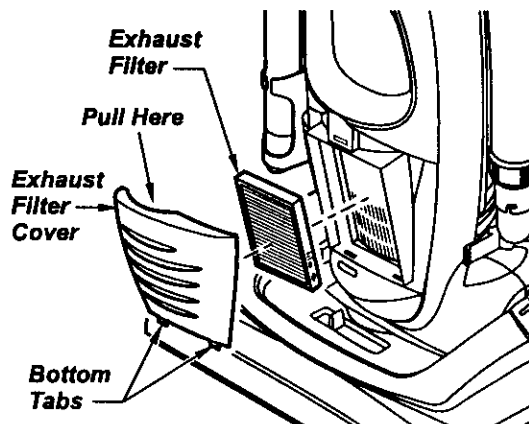
#### HEPA

The exhaust filter must be replaced when dirty. It should be replaced regularly depending on use conditions.

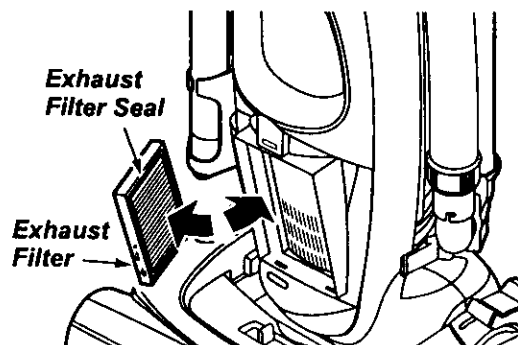
The filter **CANNOT** be washed as it will lose its dust trapping ability.

**Note:** See **PARTS AND FEATURES** for the filter number.

Remove filter cover by pulling out at the top of the exhaust filter cover.



Remove the exhaust filter cartridge.



Push only on filter cartridge frame, not on filter material itself. **The foam seal of the filter should be placed against the vacuum cleaner body**

Replace the exhaust filter cover by placing bottom tabs in slots and pushing in until cover snaps into place.

## BELT CHANGING AND AGITATOR CLEANING

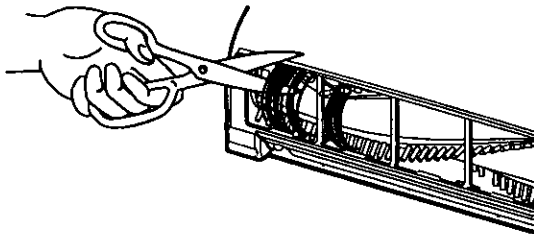


### WARNING

#### Electrical Shock Or Personal Injury Hazard

Disconnect electrical supply before servicing or cleaning the unit. Failure to do so could result in electrical shock or personal injury from vacuum cleaner suddenly starting.

### CLEANING AGITATOR



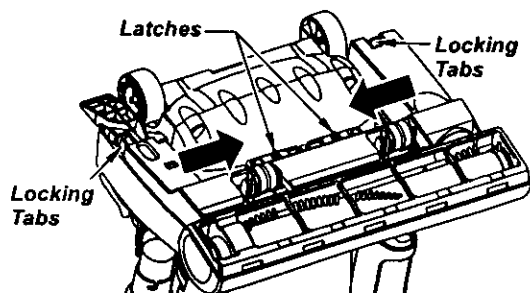
To clean agitator turn vacuum cleaner over, cut off any carpet pile and lint entangled around agitator with a pair of scissors in the slots provided.

Frequently check and remove hair, string and lint build-up in the brush area. If build-up becomes excessive, follow the steps below.

### TO REMOVE BELT

Disconnect power cord from electrical outlet, and place on paper to protect the floor surface. Place vacuum cleaner in the full upright position.

Turn the unit over so the agitator and base plate are facing upward.



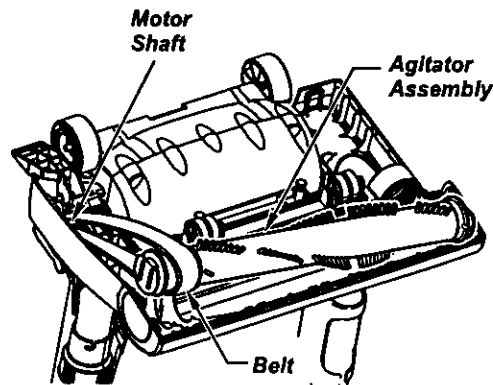
Locate the two latches and the two locking tabs which secure the base plate.

To remove the base plate, press the two latches inward.

Push in on the locking tabs toward the center of the vacuum cleaner.

Rotate the base plate away from the nozzle housing. The sides of the base plate need to be pulled slightly outward to clear the wheels.

The agitator and belt are now exposed. Carefully remove any residue that may exist in the belt area.



If the belt is still attached to the motor shaft, there will be tension on the agitator. If the belt is not broken, remove it from the motor shaft before lifting the agitator.

Carefully lift the one end of the agitator and then lift the other end.

ENGLISH



### WARNING

#### Personal Injury Hazard

Be careful when removing the agitator as the belt tension is high. Failure to do so could result in personal injury from the agitator releasing quickly and snapping away.

## TO CLEAN AGITATOR

**NOTE:** In order to keep cleaning efficiency high and to prevent damage to your vacuum cleaner, the agitator must be cleaned every time the belt is changed.

The agitator must also be cleaned according to the following schedule:

<u>Vacuum Use</u>	<u>Clean Agitator</u>
<b>HEAVY</b> - (used daily)	every week
<b>MODERATE</b> - (used 2-3 times/week)	every month
<b>LIGHT</b> - (used 1 time/week)	every 2 months

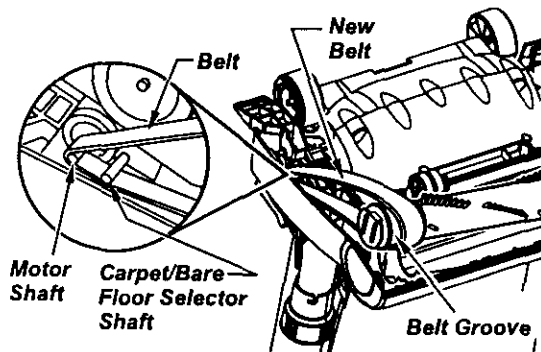
Remove any dirt or debris in the belt path area or in the agitator area.

## TO REPLACE BELT

Make sure that the carpet/bare floor selector is in the **carpet** position.  
Loop the new belt on the **motor shaft**.

**NOTE:** See **PARTS AND FEATURES** for belt number.

Loop the end of the new belt on the agitator.

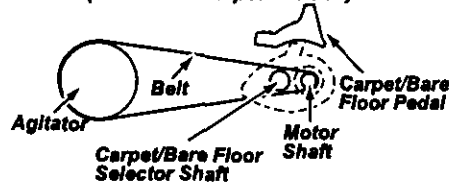


Align the square extension on each end cap with the slots in the frame of the nozzle.

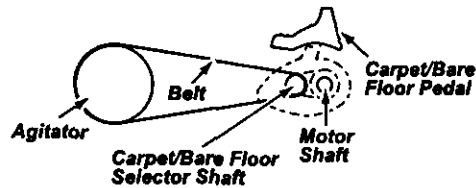
**NOTE:** Care must be taken due to the belt tension during reassembly.

## BELT ROUTING

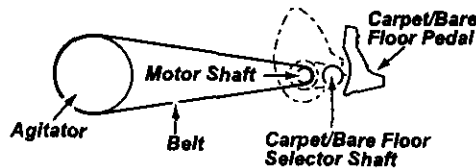
### Correct Routing of Belt (Selector in Carpet Position)



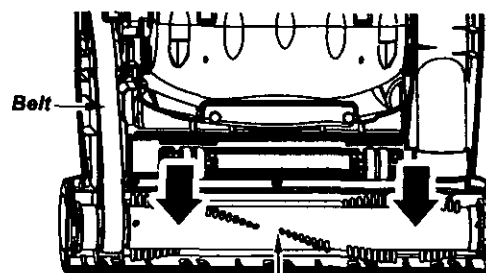
### Incorrect Routing of Belt (Belt on Selector Shaft)



### Incorrect Routing of Belt (Selector in Bare Floor Position)



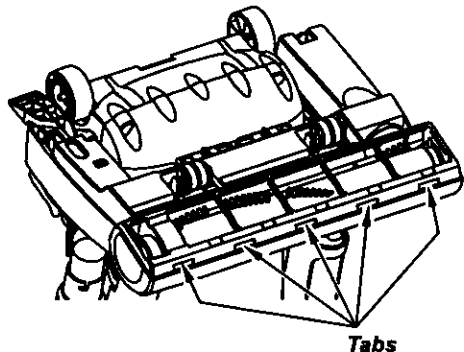
Press firmly, checking to see that each end is completely inserted.



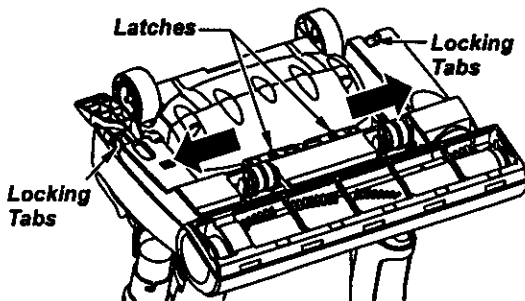
Agitator Assembly

Check to see that the belt is centered in the belt groove. Turn the agitator with your fingers to see that it turns freely.

To re-attach the base plate, insert the tabs into the slots along the front edge of the base. Place the vacuum cleaner in full upright position. Lower the base plate to its original position.



As the base is lowered the inner areas will brush against the dust compartment wheels.



A gentle pull outward may assist in reassembly.

Press the base plate down until the two locking tabs snap into place.

Slide the right latch to the right and the left latch to the left to secure.

Return the vacuum cleaner to the upright position before plugging into the electrical outlet.

ENGLISH

## CLOG REMOVAL

Always follow all safety precautions when cleaning and servicing the vacuum cleaner.



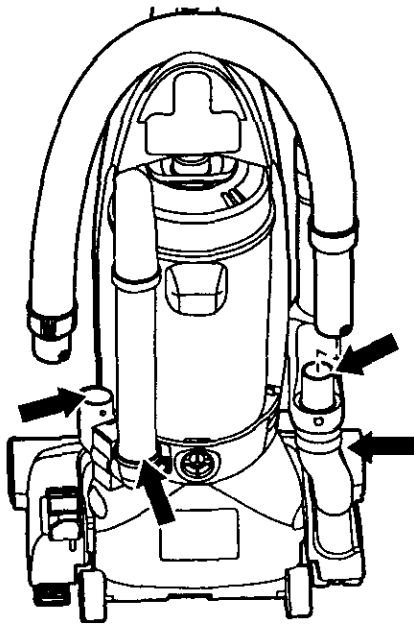
### WARNING

**Electrical Shock Or Personal Injury Hazard**

**Disconnect electrical supply before servicing or cleaning the unit. Failure to do so could result in electrical shock or personal injury from vacuum cleaner suddenly starting.**

If the vacuum cleaner does not seem to have adequate suction, first check if the dust bin is full or if a filter is clogged. See **DUST BIN CLEANING** and **FILTER CHANGING**.

If the dust bin and filter areas are free of clogs, check the hose area. Remove extension hose by grasping the hose collar, twisting, and pulling straight off.



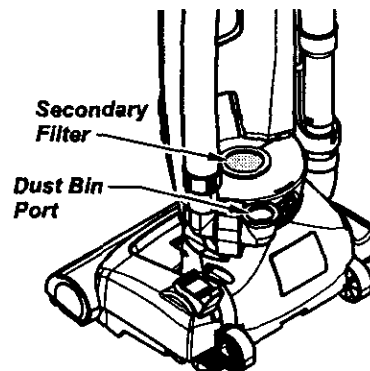
Visually inspect the hose and the base area into which the hose is connected.

Remove any visible clog.

Re-connect the extension hose to the dust bin port assembly. Plug in the vacuum cleaner and turn it on. Stretch the hose to maximum length and then allow the hose to return to its storage length.

Turn the unit off and unplug the unit.

Remove dust bin and check dust bin port and secondary filter for clogs. If the dust bin and filter areas and the hose areas are free of clogs, check the nozzle area. To check this area, see the section on **AGITATOR CLEANING**.



Return the vacuum cleaner to the upright position before plugging into an electrical outlet.



### WARNING

**Personal Injury Hazard**

**DO NOT** place hands or feet underneath the unit at any time. The agitator will be revolving rapidly when the vacuum cleaner is turned on and is in the carpet setting.

## LIGHT BULB CHANGING



### WARNING

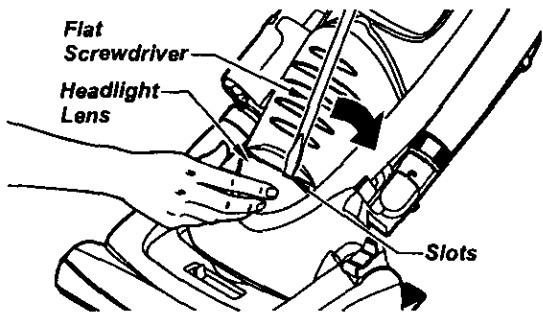
#### Electrical Shock Or Personal Injury Hazard

Disconnect electrical supply before performing maintenance or cleaning the unit. Failure to do so could result in electrical shock or personal injury from vacuum cleaner suddenly starting.

### TO REMOVE LIGHT BULB

Disconnect power cord from electrical outlet. Lower handle to lay vacuum cleaner flat.

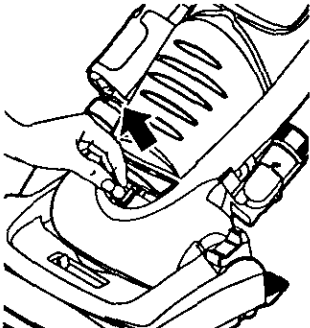
Pry out light lens at slots by inserting screwdriver into slot, pushing down on the lens and rotating the screwdriver handle toward unit.



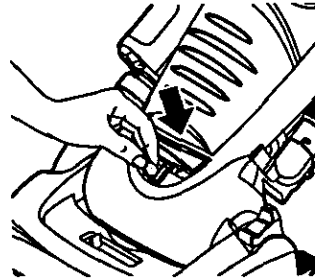
### CAUTION

Do not use a bulb rated over 9W (13V). During extended use, heat from the bulb could overheat surrounding plastic parts.

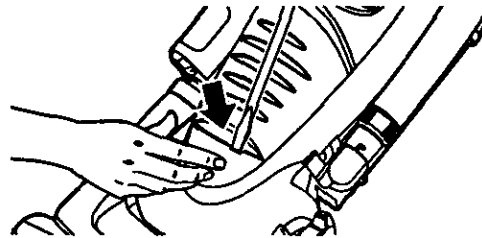
Remove the light bulb by pulling straight out.



To replace the light bulb carefully insert securely into slot. Replace lens cover.



Replace lens cover by inserting bottom tab of lens into slots then applying pressure to top tabs with a screwdriver.



A "popping" sound indicates lens is snapped properly in place.

**Note:** See PARTS AND FEATURES for bulb number.



### CAUTION

Do not plug in or turn on until the vacuum cleaner is completely reassembled.

# TROUBLESHOOTING

Review this table to find do-it-yourself solutions for minor performance problems. Any other service needed, should be performed by a Sears or other qualified service agent.



## WARNING:

**Disconnect electrical supply before performing maintenance to the unit. Failure to do so could result in electrical shock or personal injury.**

PROBLEM	POSSIBLE CAUSE	POSSIBLE SOLUTION
Vacuum Cleaner won't run.	<ol style="list-style-type: none"> <li>1. Unplugged at wall outlet.</li> <li>2. Tripped circuit breaker/blown fuse at household service panel.</li> <li>3. On/Off switch not set to On position</li> <li>4. Thermal protector tripped.</li> </ol>	<ol style="list-style-type: none"> <li>1. Plug in firmly, push On/Off switch to On.</li> <li>2. Reset circuit breaker or replace fuse.</li> <li>3. Push On/Off switch to On position.</li> <li>4. Unplug vacuum cleaner, allow to cool and thermal protector will reset itself.</li> </ol>
Poor job of dirt pick-up.	<ol style="list-style-type: none"> <li>1. Full or clogged dust bin.</li> <li>2. Wrong pile height setting.</li> <li>3. Worn agitator.</li> <li>4. Clogged nozzle.</li> <li>5. Clogged hose.</li> <li>6. Hole in hose.</li> <li>7. Hose not inserted fully</li> <li>8. Motor protection system activated.</li> <li>9. Dirty filters.</li> </ol>	<ol style="list-style-type: none"> <li>1. Empty dust bin.</li> <li>2. Adjust setting.</li> <li>3. Take to your nearest Sears Service Center.</li> <li>4. Check CLOG REMOVAL.</li> <li>5. Check for clogs.</li> <li>6. Take to your nearest Sears Service Center.</li> <li>7. Check hose connection</li> <li>8. Check for clogs.</li> <li>9. Change primary filter and exhaust filter.</li> </ol>
Vacuum Cleaner picks up moveable rugs or pushes too hard.	<ol style="list-style-type: none"> <li>1. Wrong pile height setting.</li> </ol>	<ol style="list-style-type: none"> <li>1. Adjust setting.</li> </ol>
Light won't work.	<ol style="list-style-type: none"> <li>1. Burned out light bulb.</li> </ol>	<ol style="list-style-type: none"> <li>1. Change light bulb.</li> </ol>
Agitator does not turn.	<ol style="list-style-type: none"> <li>1. Carpet/Bare floor selector in Bare Floor</li> <li>2. Broken belt.</li> </ol>	<ol style="list-style-type: none"> <li>1. Move selector to the Carpet position.</li> <li>2. Replace belt.</li> </ol>
Air flow restricted with attachment use. Sound changes.	<ol style="list-style-type: none"> <li>1. Attachment use restricts air flow.</li> <li>2. New carpet fuzz clogged air path.</li> </ol>	<ol style="list-style-type: none"> <li>1. Check ATTACHMENTS.</li> <li>2. Check CLOG REMOVAL and clean hose.</li> </ol>
Dirt Sensor, some models, will not work.	<ol style="list-style-type: none"> <li>1. Dirty optic cells.</li> </ol>	<ol style="list-style-type: none"> <li>1. Clean optic cells.</li> </ol>

## TABLA DE CONTENIDO

<b>Antes de usar su aspiradora nueva</b> . . . . .	1	<b>Cuidado de la aspiradora</b> . . . . .	12
<b>Garantía de la aspiradora de Kenmore</b> . . .	1	Almacenamiento de la aspiradora . . . . .	12
<b>Instrucciones importantes de seguridad</b> . . . . .	2	Limpieza del exterior y de los accesorios . . .	12
<b>Características de la aspiradora</b> . . . . .	3	Limpieza del la cubo de la basura . . . . .	13
<b>Instrucciones de ensamble</b> . . . . .	4-5	Limpieza del filtro secundario . . . . .	14
<b>Instrucciones de operación</b> . . . . .	6	Cambio/limpieza de las filtros . . . . .	15
Para comenzar . . . . .	6	Remplacement de la courroie et nettoyage de l'agitateur . . . . .	16-18
Ajuste y selección de nivel de pelo de la alfombra . . . . .	5	Cómo eliminar los residuos de basura en los conductos . . . . .	19
Interruptor de encendido/apagado . . . . .	7	Cambio de la bombilla . . . . .	20
Desprendimiento del mango . . . . .	6	<b>Reconocimiento de problemas</b> . . . . .	21
Selector de pisos con alfombra y sin alfombra .	7	<b>Información de asistencia o servicio</b> . . . . .	(back page)
Accesorios . . . . .	8		
Cuadro de uso de los accesorios . . . . .	9		
Sugerencias para aspirar . . . . .	9		
Características de rendimiento . . . . .	10		

## ANTES DE USAR SU ASPIRADORA NUEVA

Por favor lea esta guía que le ayudara a ensamblar y operar su aspiradora nueva de Kenmore en una manera más segura y efectiva.

Para mas información acerca del cuidado y operación de esta aspiradora, llame a su tienda Sears mas cercana. Cuando preunte por información usted necesitará el número completo de serie y modelo de la aspiradora que está colocado en la placa de los números de modelo y serie.

Use el espacio de abajo para registrar el número de modelo y serie para su nueva aspiradora de Kenmore.

Número de Modelo \_\_\_\_\_

Número de Serie \_\_\_\_\_

Fecha de Compra \_\_\_\_\_

Matenga este libro y su recibo en un lugar seguro para referencias futuras.

## GARANTÍA DE LA ASPIRADORA DE KENMORE

### GARANTÍA LIMITADA DE UN AÑO DE LA ASPIRADORA KENMORE

Esta garantía es por un año desde la fecha de compra, e incluye solamente el uso de la aspiradora en hogares privados. Durante el año de garantía, cuando la aspiradora es operada y mantenida de acuerdo al manual de instrucciones del dueño, Sears reparará cualquier defecto en materiales o fabricación libre de cargo.

Esta garantía excluye las bolsas de colección, correas, lamparillas, y filtros, las cuales son partes gastables que se deterioran con el uso normal.

**Para el servicio de garantía, retorne esta aspiradora al Centro de Servicio Sears más cercano en los Estados Unidos.**

Esta garantía se aplica solamente mientras este producto está en uso en los Estados Unidos. Esta garantía le da a usted derechos legales específicos, y usted puede tener también otros derechos los cuales varían de estado a estado.

Sears, Roebuck and Co., D/817 WA, Hoffman Estates, IL 60179

**ESPAÑOL**



# INSTRUCCIONES IMPORTANTES DE SEGURIDAD



## ADVERTENCIA

Lea este manual antes de armar o utilizar su aspiradora.

Use su aspiradora únicamente en la forma descrita en este manual. Use únicamente con accesorios recomendados por Sears.

Para reducir el riesgo de choque eléctrico, no use su aspiradora al aire libre ni sobre superficies mojadas.

Desconecte la fuente de electricidad antes de dar servicio o limpiar. De lo contrario podría causar un choque eléctrico o lesión corporal.

Siempre debe apagar su aspiradora antes de desconectarla.

No desconecte la aspiradora tirando del cordón eléctrico. Para desconectarla, jale el enchufe, no el cordón.

No use la aspiradora si el cordón o el enchufe está dañado. Si la aspiradora no está funcionando adecuadamente o si se ha dejado caer, está dañada, se ha dejado expuesta a la intemperie o se ha dejado caer en agua, devuélvala a un Centro/ Departamento de servicio de Sears.

No jale ni transporte la aspiradora por el cordón; no use el cordón como mango; no cierre puertas sobre el cordón; no jale el cordón sobre rebordes agudos ni esquinas. No pase la aspiradora sobre el cordón. Mantenga el cordón alejado de superficies calientes.

No abandone la aspiradora cuando esté conectada. Desconéctela cuando no la esté usando y antes de darle servicio.

No permita que sea utilizada como juguete. Se requiere tener mayor cuidado cuando sea utilizada en la proximidad de niños o por niños.

No toque la aspiradora ni el enchufe con las manos mojadas.

El cepillo agitador puede arrancar nuevamente de pronto, desconecte de la fuente de poder antes de hacer el servicio.

No coloque objetos en las aberturas.

Su seguridad es muy importante para nosotros. Para reducir el riesgo de incendio, choque eléctrico, lesión corporal o daños al utilizar su aspiradora, actúe de acuerdo con precauciones básicas de seguridad, entre ellas:

No utilice la aspiradora si alguna abertura está bloqueada; manténgala libre de polvo, pelusa, cabellos y cualquiera cosa que podría disminuir el flujo de aire.

Mantenga el cabello, ropa suelta, dedos y todas las partes del cuerpo alejados de las aberturas y piezas mecánicas.

No use la aspiradora sin tener instalado el o cubo de la basura y/o los filtros.

Limpie siempre el cubo de la basura después de aspirar la alfombra limpiadores o refrescantes, polvos y depósitos finos. Estos productos tapan los filtros, reducen el flujo de aire y pueden causar daño a la aspiradora.

No use la aspiradora para levantar objetos agudos, juguetes pequeños, alfileres, sujetapapeles, etc. Podrían dañar la aspiradora o el cubo de la basura.

No levante ninguna cosa que se esté quemando o emitiendo humo, como cigarrillos, cerillos o cenizas calientes.

No use la aspiradora para aspirar líquidos inflamables o combustibles (gasolina, líquidos para limpieza, perfumes, etc.) ni la use en lugares donde éstos podrían estar presentes. Los vapores de estas sustancias pueden crear un peligro de incendio o explosión.

Tenga cuidado especial al utilizar la aspiradora en escalones. No la coloque sobre sillas, mesas, etc. Manténgala en el piso.

Usted es responsable de asegurar que su aspiradora no sea utilizada por ninguna persona que no pueda manejarla correctamente.

No extienda la manguera de estirar, manguera de extensión o combinación de manguera más allá de su alcance. Hacer esto puede causar que la aspiradora se dé vuelta y pueda causar lesiones personales o daño a la propiedad.

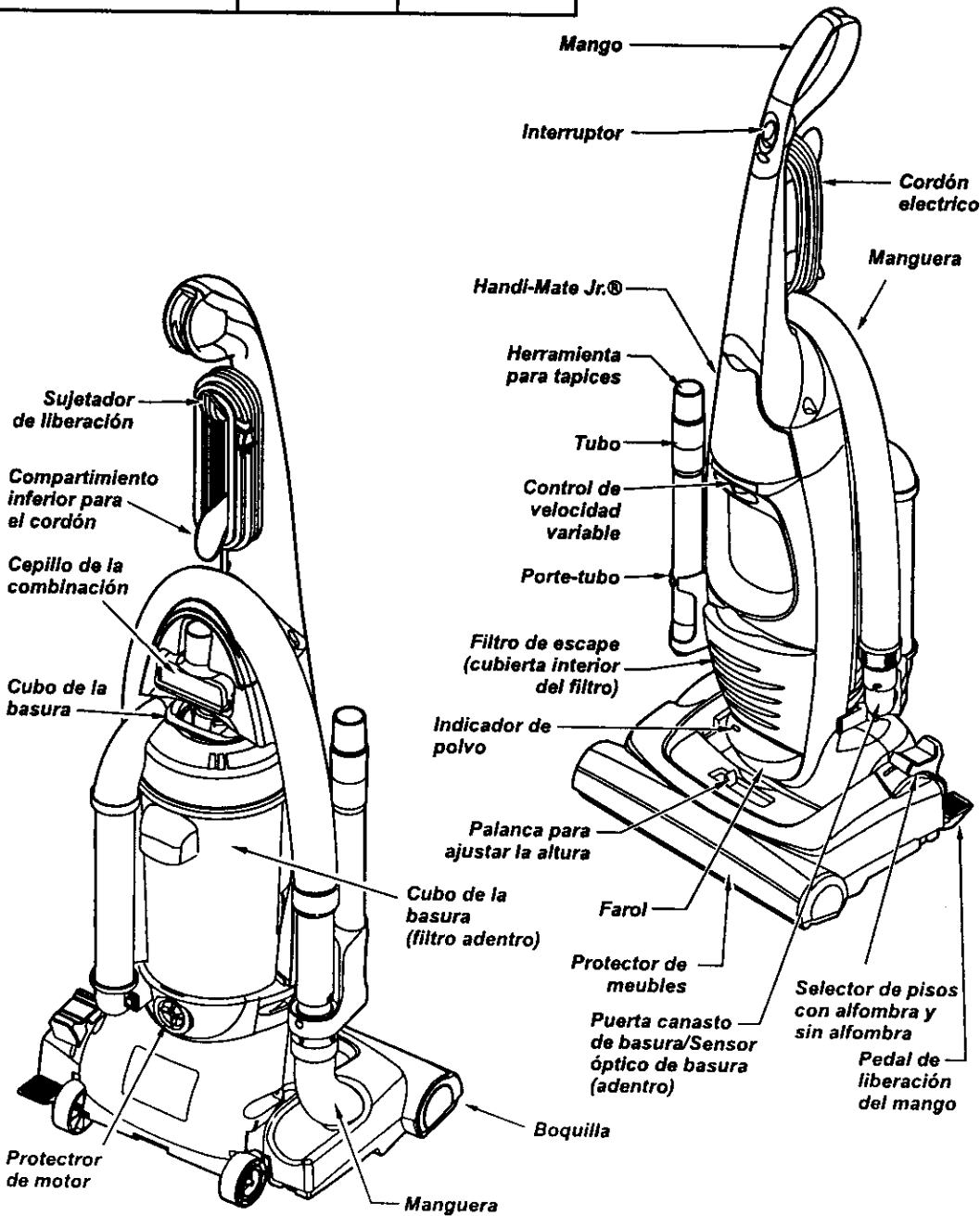
## GUARDE ESTAS INSTRUCCIONES

El armado y uso seguro de su aspiradora son su responsabilidad. Esta aspiradora ha sido diseñada exclusivamente para uso doméstico. La aspiradora deberá almacenarse en un lugar seco y en el interior. Lea este Manual del propietario detenidamente, pues contiene información importante sobre seguridad y uso. Esta guía contiene información sobre seguridad debajo de símbolos de advertencia cuidados.

## CARACTERÍSTICAS DE LA ASPIRADORA

Objeto	Pieza N° en EUA	Pieza N° en Canadá
Filtro de escape	20-86889	20-86889C
Primary Filter	20-82720	20-82720
Bombilla de farol	20-5248	20-40300
Correa	20-5275	20-40096

Es importante conocer las piezas y características de su aspiradora para asegurar su uso adecuado y seguro. Examinelas antes de usar su aspiradora.



ESPAÑOL



Por favor ponga atención especial a estas instrucciones dadas. **Advertencia:** Esta información le alertará con el peligro de fuego, choques eléctricos, quemaduras y lesiones. **Cuidado:** Esta información le alertará a peligros como lesiones y daños de propiedad.

## INSTRUCCIONES DE ENSAMBLE



### ADVERTENCIA

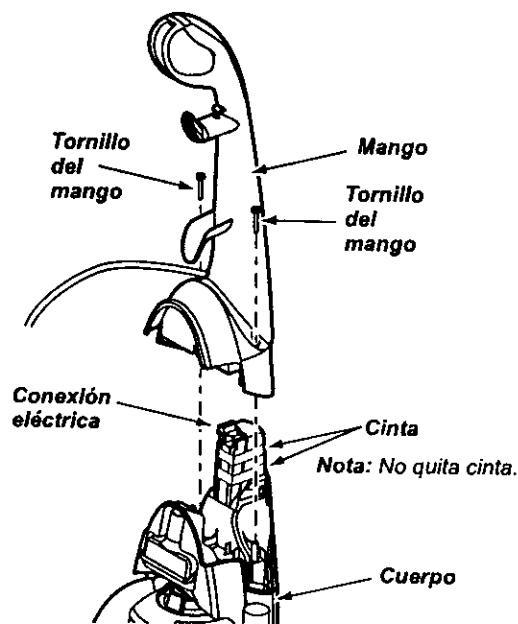
**Peligro de choque eléctrico**  
No conecte la aspiradora hasta que termine de armarla. De lo contrario podría causar un choque eléctrico o lesión corporal.

Antes de armar la aspiradora, cheque la LISTA DE EMBALAJE en la cubierta separada de la Lista de Partes para Reparación. Use esta lista para verificar que ha recibido todos los componentes de su nueva aspiradora Kenmore.

Quite cinta de la cubierta del filtro y picaporte de cajón de polvo.

### MONTAJE DEL MANGO

Saque los dos (2) tornillos de la manija ubicados en el cuerpo.



Posicione la manija como se muestra en la ilustración más abajo.

Cuando instale la manija, apriete firmemente la manija en el cuerpo. Asegúrela con los tornillos provistos.



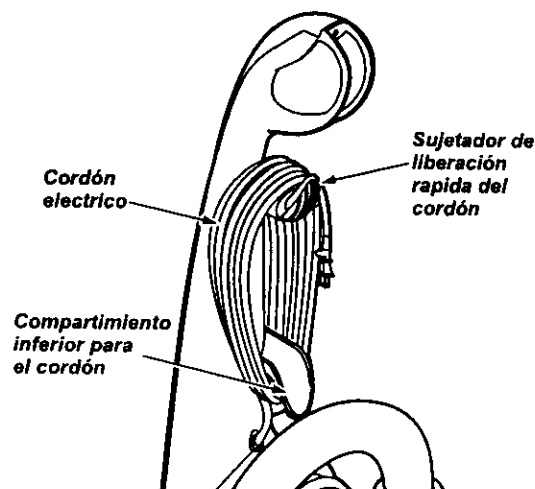
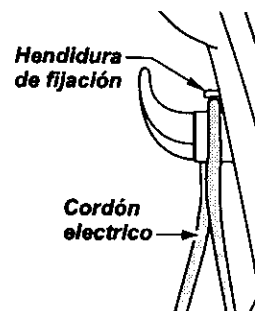
### CUIDADO

No apriete demasiado el tornillo.  
Si lo aprieta demasiado podría arruinar los orificios para el tornillo.  
No opere la aspiradora sin tener instalado el tornillo.

### COLOCACIÓN DEL CORDÓN

Asegúrese de que el sujetador superior del cordón de liberación rápida se encuentre en posición vertical. Quite el alambre con el que está atado el cordón eléctrico.

Asegure el cordón eléctrico en la ranura de la base presionándolo en el gancho superior de liberación rápida para el cordón eléctrico como se muestra.



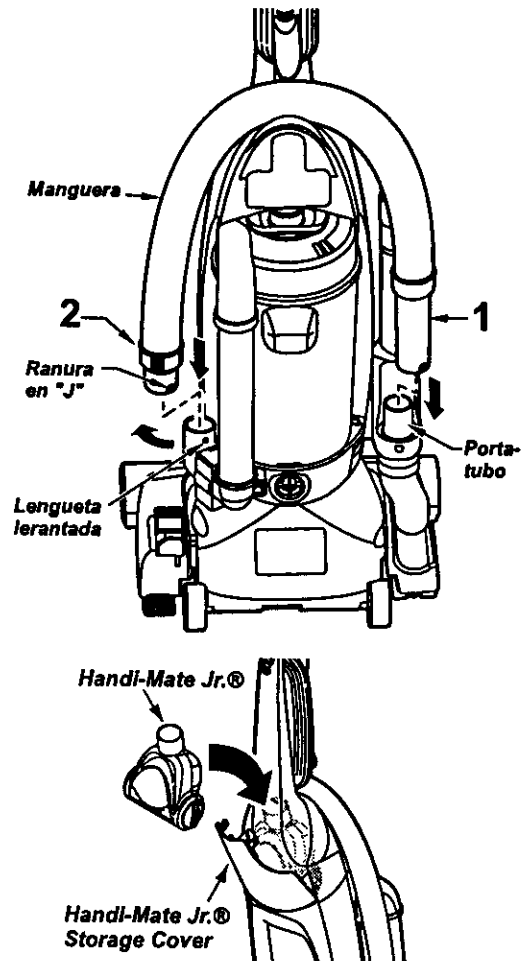
Enrolle el cordón eléctrico alrededor de los sujetadores superior e inferior y presione la ranura del enchufe sobre el cordón.

## ENSAMBLE DE LA MANGUERA

1. Conecte la manguera de extensión en el tubo empujando y girándola sobre el tubo para asegurar una buena conexión.
2. Conecte la manguera de extensión alienando los ganchos con las ranuras en forma de "J". Empuje hacia abajo y gírela a la derecha para asegurarla en su sitio.

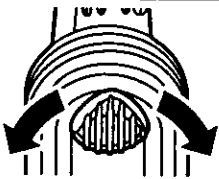
Para como usar el tubo y la manguera vea la sección "ACCESORIOS".

Saque el Handi-Mate Jr. de la bolsa plástica e insértelo en la aspiradora como se muestra, entonces cierre la cubierta del contenedor del Handi-Mate Jr.



## INSTRUCCIONES DE OPERACIÓN

### PARA COMENZAR



1. Gire el sujetador del cordón de lado a lado y hacia abajo para liberar el cordón eléctrico.

2. Desprenda el enchufe del cordón eléctrico y quite el cordón del sujetador superior. Compruebe que el cordón eléctrico sigue fijado en la ranura de bloqueo del sujetador superior.

3. Conecte el cordón eléctrico polarizado en un enchufe de 120 voltios que se encuentre cerca del piso.

4. Para reemplazar el cordón, torne el gancho de arriba las agujas del reloj apuntando hacia arriba, entonces arrolle el cordón.



### ADVERTENCIA

La clavija sólo puede introducirse de una manera en el enchufe. Si la clavija no cabe bien en el enchufe, invértala. Si aún no cabe, llame a un electricista para que instale un enchufe correcto. No altere la clavija de ninguna manera.

ESPAÑOL



### ADVERTENCIA

Peligro de Lesiones Personales y Daño al Producto

- NO enchufe si la llave está en la posición ON. Lesiones personales o daño pueden resultar.
- NO use tomacorrientes sobre el mostrador. Pueden ocurrir daños debidos al cordón a objetos en el área alrededor.



### ADVERTENCIA

Para reducir el riesgo de choque eléctrico, esta aspiradora cuenta con una clavija polarizada, uno de los contactos es más ancho que el otro.

## AJUSTE Y SELECCIÓN DE NIVEL DE PELO DE LA ALFOMBRA

Para seleccionar un ajuste de nivel de pelo de la alfombra:

Apague la aspiradora. Seleccione un nivel de ajuste inclinando la aspiradora hacia atrás hasta que las ruedas delanteras estén un poco despegadas del piso.

Deslice la palanca de ajuste de nivel de pelo de la alfombra a la posición deseada.

### SUGERENCIAS DE AJUSTE DE NIVEL DE PELO DE LA ALFOMBRA

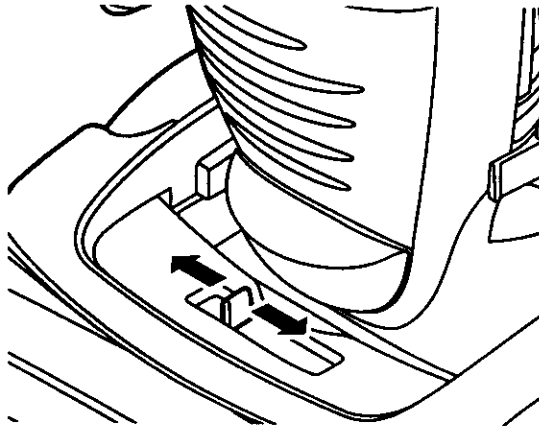
Para que se le faciliten algunas tareas de limpieza, como por ejemplo tapetes y alfombras de pelo largo, puede que sea necesario elevar el ajuste de nivel de pelo de la alfombra. Los ajustes sugeridos son los siguientes.

**HIGH:** pelo áspero y lanudo, pelo largo, felpa, alfombras o tapetes irregulares.

**MED:** pelo mediano o poco largo.

**LOW:** pelo corto o mediano.

**EX LOW:** pelo muy corto.



### ADVERTENCIA

**Peligro de lesión personal**

**NO PONGA** las manos o los pies debajo de la aspiradora cuando cambie de la selección de pisos sin alfombra hasta la selección de nivel de pelo de la alfombra. El agitador gira rápidamente cuando la aspiradora está encendida y está en la selección de pisos con alfombra.

## INTERRUPTOR DE ENCENDIDO/APAGADO

### MONTADO EN EL MANGO

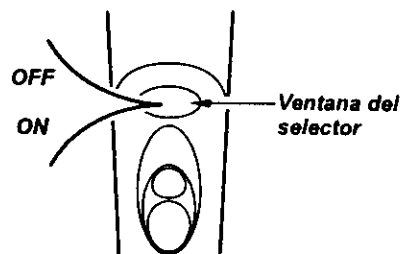
Para arrancar la aspiradora, deslice el interruptor de encendido/apagado de la posición **OFF** a la posición **ON**. Para detenerla, coloque el interruptor en la posición **OFF**.

**Nota:** Este interruptor opera solamente el motor de succión. Para que el agitador gire, el selector encendido/apagado del agitador debe estar en posición encendido y el asa debe sacarse de la posición vertical.



### CUIDADO

No deje permanecer la aspiradora en un solo lugar durante ningún tiempo cuando el agitador está rotando. Se puede dañar la alfombra.



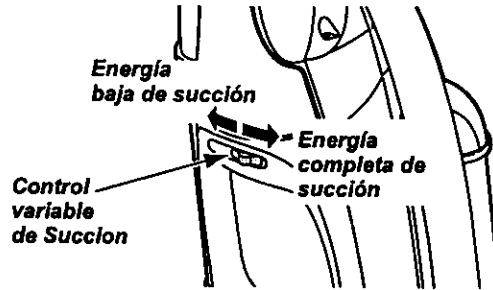
## CONTROL DE VELOCIDAD VARIABLE

Esta aspiradora está equipada con un control variable de poder el cual le permitirá seleccionar cualquier poder de limpieza desde bajo hasta alto.

Ponga poder de Succión BAJO para telas delicadas como cortinas. Ponga MAX o poder total para más convencionales limpiezas de alfombras sobre el piso

Para usar poder de Succión TOTAL o poder total mueva la perilla de control completamente a la derecha.

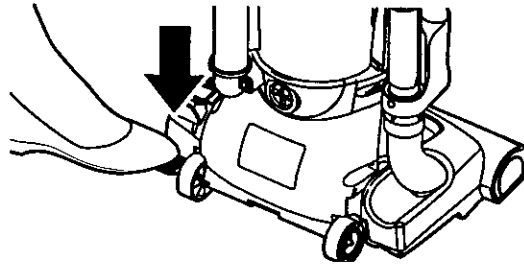
Para limpieza profunda fijar el control variable de succión en MAX.



## DESPRENDIMIENTO DEL MANGO

Desprenda el mango pisando el pedal de liberación y tire del mango hacia abajo con la mano.

**Nota:** El agitador no girará si la aspiradora está en posición vertical.



## SELECTOR DE PISOS CON ALFOMBRA Y SIN ALFOMBRA

**Para de seccionar el ajuste de piso descubierto:** Oprima el botón de selección hasta atrás y debajo de la boquilla hasta que se sienta asegurado.

En esta posición el agitador no da vueltas. Esta posición debe estar usada para limpiamiento de piso de madera y mosaico y cuando se usan algunos atachamientos (herramientas).

**Selección de pisos con alfombra:** Oprime el boton **completamente hasta el frente** y por arriba hasta la posición de pisos con alfombra.

En esta posición el agitador da vueltas. Cuando se limpia alfombras, el selector tiene que estar en esta posición.

**Atención:** Refiérase a las recomendaciones del fabricante para limpiar su alfombra. Algunas alfombras más delicadas pueden requerir el uso de la aspiradora con el agitador desconectado para prevenir que la alfombra sea dañada.



### CUIDADO

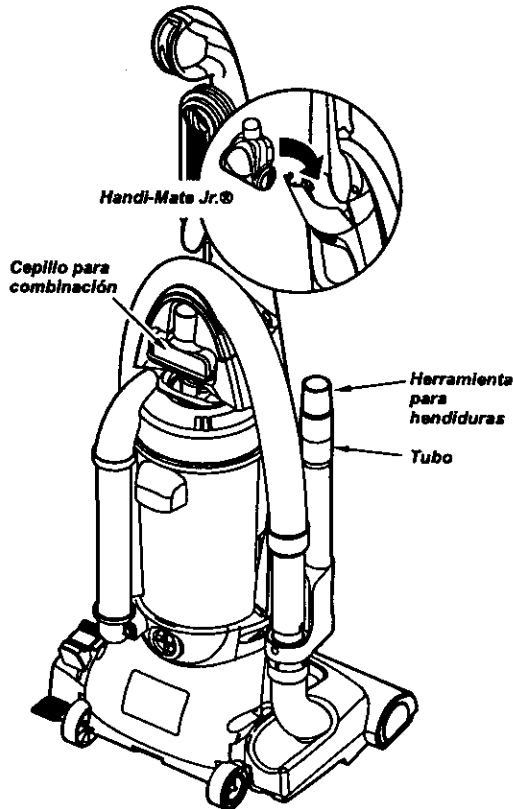
No deje permanecer la aspiradora en un solo lugar durante ningún tiempo cuando el agitador está rotando. Se puede dañar la alfombra.

**Nota:** Para la vida más larga de la correa, apague la aspiradora antes de mover el selector. Si usted no lo hace de esta manera, puede causar que la correa frota el eje del selector y puede calentar y causar que se quemé la correa que causaría un olor quemado.



ESPAÑOL

## ACCESORIOS



Identifique cada uno de los accesorios mostrados a continuación.

Quite el fin superior de la manguera que es conectada a el tubo telescópico agarrando el cuello de manguera, tuerce y estira derecho fuera. Las fijaciones ahora se pueden añadir a la manguera.

**Nota:** La válvula de desviación puede estar abierta mientras se usan los accesorios o para limpiar una alfombra nueva a causa de un flujo reducido de aire por los accesorios mismos o por la pelusa de la alfombra que llene la bolsa rápidamente. Consulte el cuadro **RECONOCIMIENTO DE PROBLEMAS**.



### ADVERTENCIA

**Peligro de choque eléctrico o lesión corporal**  
Desconecte la unidad antes de limpiarla o darle servicio. De lo contrario podría producirse un choque eléctrico o causar lesión corporal si la aspiradora arranca de manera imprevista.

Alinee las lengüetas en la vara de extensión con las ranuras "J" en la manguera. Empuje la extensión adentro de la manguera y déla vuelta hacia la derecha para fijarla. Para obtener máximo alcance con los accesorios, agregue la punta para hendiduras al final de la extensión y rótelas suavemente.

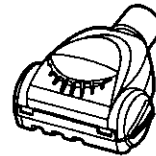


### CUIDADO

Cuando use accesorios, tenga cuidado de no extender en exceso la manguera de extensión. Tratando de alcanzar más allá de la capacidad de estirar la manguera puede causar que la aspiradora se dé vuelta.

### Handi-Mate Jr.®

Para operación de Handi-Mate Jr.® ver manual separado para dueños.



### PARA GUARDAR LOS ACCESORIOS

Saque el cepillo del polvo o cepillo combinación. Cácelo en el lugar apropiado de almacenaje.

Saque la punta para grietas de la extensión rotándola. Déjala aparte.

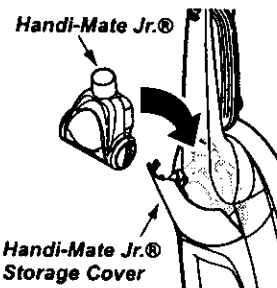
Saque la extensión de la manguera. Dé vuelta la extensión hacia la izquierda y tirela hacia afuera del extremo de la manguera.

Abra la extensión dando vuelta el anillo de cierre a la posición ABRIR.

Deslice la extensión inferior adentro de la extensión superior. Dé vuelta el anillo de cierre de la extensión a la posición CERRAR.

Ponga la punta para grietas adentro de la extensión comprimida. Cácela en el lugar apropiado de almacenaje.




Reinserte la Handi-Mate Jr.® en la aspiradora como se muestra y entonces cierre la cubierta de guardar la Handi-Mate Jr.®



### CUIDADO

Asegúrese de limpiar los accesorios después de utilizarlos en áreas sucias, debajo del refrigerador, antes de usarlos en otras superficies, ya que podrían dejar marcas.

## CUADRO DE USO DE LOS ACCESORIOS

Herramienta	Muebles*	Entre cojines*	Cortinas*	Escalones	Paredes
Herramienta para hendiduras 	✓	✓		✓	
Cepillo para combinación 	✓		✓	✓	✓
Handi-Mate Jr. ® 	✓			✓	

\* Siempre limpie los accesorios antes de usar sobre telas. ✓ = Aplicable

## SUGERENCIAS PARA ASPIRAR

### Orillas de alfombras.

Guíe uno de los costados o la parte anterior de la boquilla a lo largo del borde de la pared. Los cepillos largos ayudan a aspirar la tierra en las orillas de las alfombras.

### Escalones

Coloque el mango en la posición vertical. Mueva el selector de piso con alfombras y sin alfombras a la posición sin alfombras. Use la herramienta para hendiduras o el cepillo para telas. Coloque el interruptor de encendido/apagado en ON.

Para obtener los mejores resultados de limpieza, mantenga desbloqueados los conductos de flujo de aire.



### CUIDADO

Desconecte la aspiradora del enchufe antes de examinarla.



### ADVERTENCIA

#### Peligro de lesión personal

No coloque el limpiador en las escaleras. Si se cae, podría causar lesión personal o daño a la propiedad.

ESPAÑOL

## SISTEMA DE PROTECCIÓN DE MOTOR

### Protector Termal

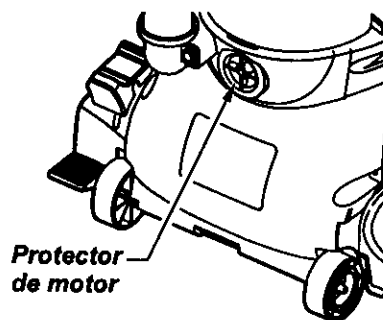
Esta aspiradora tiene un protector termal que se ajusta automáticamente para proteger a la aspiradora del sobrecalentamiento. Si una obstrucción impide el flujo normal de aire al motor, el protector termal apaga el motor automáticamente para permitir que el motor se enfríe a fin de evitar posibles daños a la aspiradora. Durante este tiempo la luz delantera se mantiene prendida.

**Para corregir el problema:** Si esto ocurre, apague la aspiradora y desenchufe el cordón del tomacorriente para permitir que la aspiradora se enfríe y que el protector termal se reajuste. **Busque y saque las obstrucciones, si es necesario. Examine también y reemplace/limpie cualquier filtro obstruido. Espere aproximadamente treinta (30) minutos y enchufe la aspiradora y voltéela para ver si el protector del motor se ha reajustado. El protector del motor no se reajustará si no se ha apagado la aspiradora aun cuando la aspiradora se haya enfriado.**

## PROTECTOR DE MOTOR

Esta aspiradora tiene una válvula de desviación que sirve como protector de motor que se abre automáticamente para proveer un flujo de aire al motor cuando una obstrucción impida que circule el aire al motor. Si se abre la válvula bypass para impedir que se recaliente el motor y que no haga daño a la aspiradora, se notará un cambio de sonido mientras el aire por la abertura de la válvula.

**Nota:** No obstruye el protector de motor.



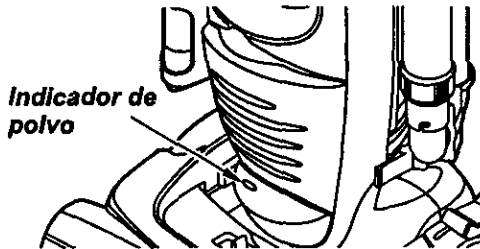
**Para corregir el problema:** Consulte el cuadro RECONOCIMIENTO DE PROBLEMAS.

**Nota:** La válvula de desviación puede estar abierta mientras se usan los accesorios o para limpiar una alfombra nueva a causa de un flujo reducido de aire por los accesorios mismos o por la pelusa de la alfombra que llene la cubo de la basura rápidamente. Consulte el cuadro RECONOCIMIENTO DE PROBLEMAS.

## INDICADOR DE POLVO

El indicador de polvo y el indicador de sensibilidad están localizados en la parte delantera de la cubierta del indicador.

El indicador eléctrico de polvo es una característica que identifica el polvo mientras que pasa por la aspiradora.



La luz roja indica que la aspiradora aspira el polvo. La luz verde indica que la mayoría del polvo ya está aspirada por la aspiradora.

## OPERACIÓN

Al pasar la aspiradora, la luz roja del indicador de polvo enciende y sigue encendida mientras que el indicador identifica una concentración alta de polvo pasando por la aspiradora.



## ADVERTENCIA

**Peligro de choque eléctrico o lesión corporal**

Desconecte la unidad antes de limpiarla o darle servicio. De lo contrario podría producirse un choque eléctrico o causar lesión corporal si la aspiradora arranca de manera imprevista.

## PARA LIMPIAR LA ÓPTICA DEL SENSOR DE BASURA

La óptica del sensor de basura consiste de dos células ópticas ubicadas adentro del montaje de la puerta del recipiente de basura.

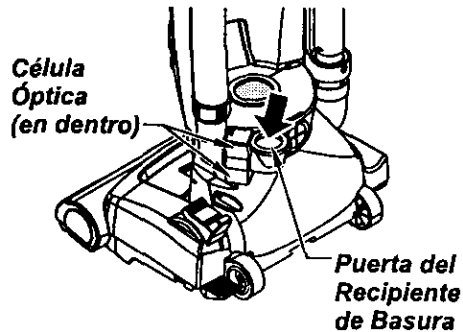
Ocasionalmente, puede ser necesario limpiar las dos células ópticas para asegurar máximo funcionamiento.

### Limpie células ópticas:

- Cuando la luz roja queda prendida continuamente.
- Cuando basura o polvo se adhiere a las células ópticas.
- Cuando se limpia la taza del polvo.

Para limpiar la óptica del sensor de basura, saque el Recipiente de Basura como se detalla en la sección Limpieza del Recipiente de Basura.

Con el recipiente de basura sacado usted puede insertar un paño en la abertura de la puerta del recipiente de basura.



Frote las células ópticas con un paño suave y seco.

Nunca use limpiadores o líquidos porque estos pueden ayudar a recubrir las células ópticas y hacer necesario limpiarlas mucho antes que normalmente.

ESPAÑOL

## CUIDADO DE LA ASPIRADORA

Siga siempre todas las instrucciones de seguridad al limpiar y darle servicio a su aspiradora.



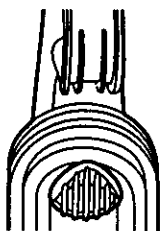
### ADVERTENCIA

**Peligro de choque eléctrico o lesión corporal**

Desconecte la unidad antes de limpiarla o darle servicio. De lo contrario podría producirse un choque eléctrico o causar lesión corporal si la aspiradora arranca de manera imprevista.

## ALMACENAMIENTO DE LA ASPIRADORA

Recoja el cordón y enróllelo en los sujetadores superior e inferior, sin que quede muy apretado.



Guarde la aspiradora bajo techo en un lugar seco, con el mango en posición vertical.



### ADVERTENCIA

**Peligro de choque eléctrico o lesión corporal**

Si enrolla el cordón muy apretado puede tensarlo mucho y causarle daños. De dañarse, el cordón podría causar descargas eléctricas y lesiones o daños personales.

## LIMPIEZA DEL EXTERIOR Y DE LOS ACCESORIOS

Desconecte el cordón eléctrico de la clavija de la pared. **NO rocíe agua sobre la aspiradora.**

Limpie el exterior con un trapo suave y limpio, que ha sido exprimido después de remojar en una solución de agua y detergente líquido ligero. Seque el exterior con un trapo seco después de limpiar.

Limpie la superficie exterior del receptáculo y de los accesorios para reducir la electricidad estática y la acumulación de polvo.

Lave los accesorios en agua tibia jabonosa, enjuague y deje secar al aire. **No los lave en lavadora de platos.**



### CUIDADO

**No use los accesorios si están mojados. Los accesorios que se utilicen en áreas sucias, debajo del refrigerador, no deben usarse en otras superficies sin antes ser lavados. Podrían dejar marcas.**

## LIMPIEZA DEL CUBO BASURA

Siempre vacíe el cubo de basura cuando el nivel de basura alcanza la línea "MAXLLENO".

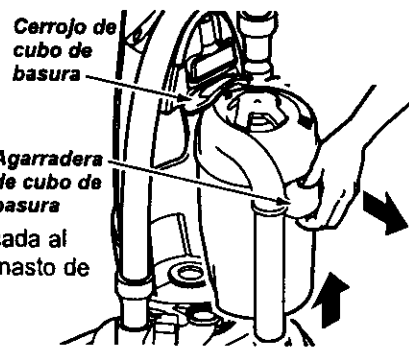
**⚠️ ADVERTENCIA**

**Peligro de choque eléctrico o lesión corporal**

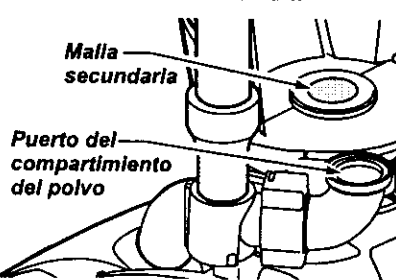
Desconecte la unidad antes de limpiarla o darle servicio. De lo contrario podría producirse un choque eléctrico o causar lesión corporal si la aspiradora arranca de manera imprevista.

### PARA SACAR EL CUBO DE BASURA

Levante el cerrojo del canasto de basura y saque el cubo tomando de la manija ubicada al tope del canasto de basura.



Saque cualquier obstáculo que pudiera estar ubicado a la entrada del canasto de basura o el filtro secundario.



**⚠️ CUIDADO**

No use la agarradera del cubo de basura para cargar la unidad.

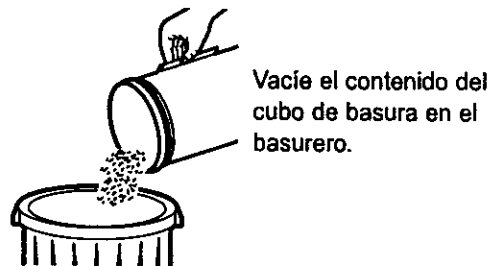
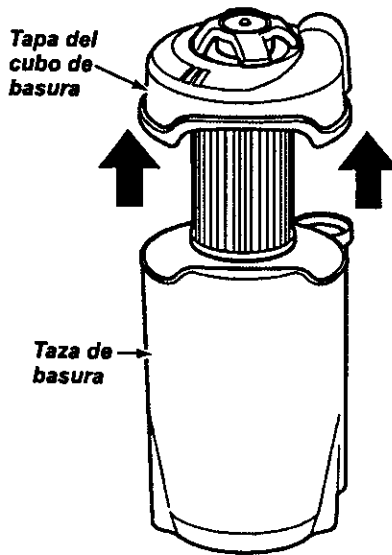
No cargue el cubo de basura por la tapa.

Cada vez que se saca el canasto de basura, rote la perilla de limpieza al tope del canasto de basura hasta que el filtro esté limpio para mantener la función de limpieza.



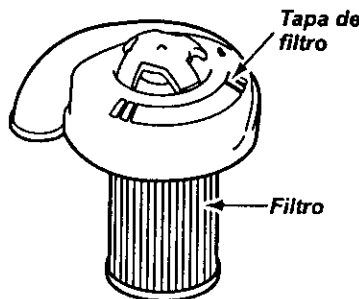
### PARA VACIAR EL CUBO DE BASURA

Levante la tapa del cubo de basura directamente afuera de la taza de basura.



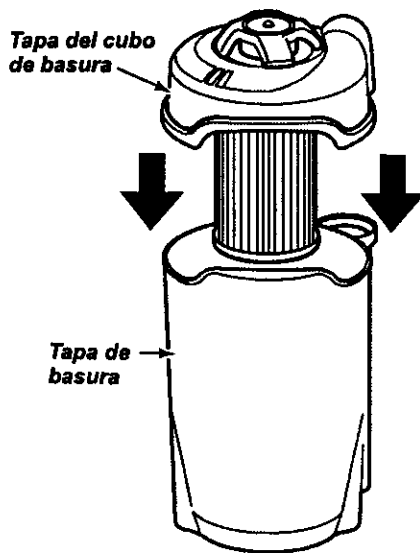
### PARA LIMPIAR EL FILTRO

Vea el Filtro que Cambia/Limpiar



ESPAÑOL

## REEMPLAZO DEL BOTE DE POLVO



Reemplace el montaje de la tapa del canasto de basura poniéndola de vuelta sobre el canasto de basura como se muestra.



Ponga el canasto de basura adentro de la aspiradora.

Asegure el canasto de basura en su lugar cerrando el cerrojo del canasto de basura.

## LIMPIEZA DEL FILTRO SECUNDARIO

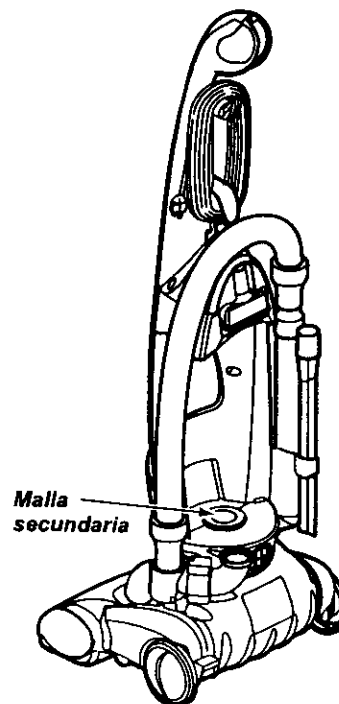
Revisar frecuentemente el filtro secundario y limpiarlo cuando esté sucio.

Remueva el cubo para basura como en la ilustración en la sección de LIMPIEZA DEL CUBO PARA BASURA.

Para limpiar la cubierta del filtro, límpiela con un trapo seco.

**NOTA: La cubierta del filtro es removible.**

Reemplace el cubo de basura como en la ilustración en la sección de LIMPIEZA DEL CUBO PARA BASURA.



## GAMBIO/LIMPIEZA DE LOS FILTROS



### ADVERTENCIA

#### Peligro de choque eléctrico

Desenchufe el cable de poder del tomacorrientes. No opere la limpiadora sin el filtro primario o el filtro de escape. Está seguro que el filtro está instalado propiamente para prevenir falla del motor y/o sacudida eléctrica.

### FILTRO PRIMARIO

Chequee el filtro primario frecuentemente y límpielo cuando esté sucio.

#### PARA SACAR EL FILTRO PRIMARIO

Remueva el canasto de basura y el montaje de la tapa del canasto de basura como se explica en la sección LIMPIEZA DEL CANASTO DE BASURA.

Tome el filtro, rótelo y levántelo hacia afuera.

Limpie el filtro primario golpeándolo gentilmente sobre un contenedor de

basura. Golpee sobre varios lados para asegurar la mejor limpieza. Enjuague con agua solamente como sea necesario.

Cuando la limpieza del filtro ya no restaura la succión al vacío a su poder total, usted necesita reemplazar el filtro.

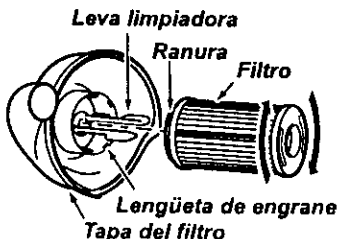
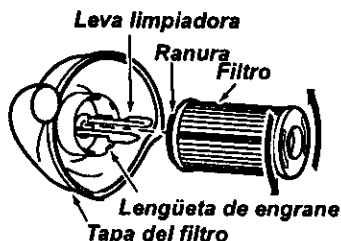
**Nota:** Ver PARTES Y CARACTERÍSTICAS para el número del filtro de escape.

#### PARA REEMPLAZAR EL FILTRO PRIMARIO

Reemplace el filtro y rótelo hasta que las ranuras cierren con las lengüetas en la cubierta.

**Nota:** Bajo uso y cuidado normal, su filtro puede llegar a durar hasta 3 años.

Vuelva a montar la tapa del compartimiento del polvo para sacar el polvo del compartimiento. Inserte en más limpio y seguro con el cierre del compartimiento del polvo.



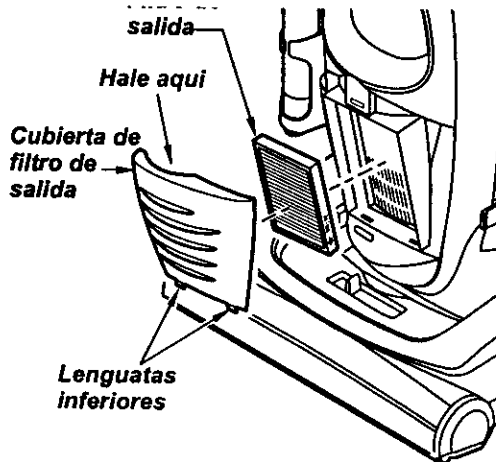
### FILTRO DE ESCAPE HEPA

El filtro de escape debe ser reemplazado cuando esté sucio. Debería ser reemplazado regularmente dependiendo de las condiciones de uso.

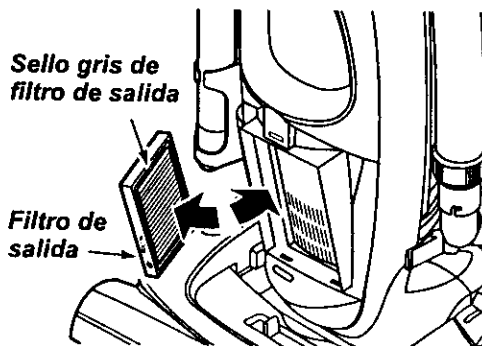
El filtro no se puede lavar pues perdería su capacidad para atrapar polvo.

**Nota:** Ver PARTES Y CARACTERÍSTICAS para el número del filtro de escape.

Apriete hacia adentro en cada lado de la cubierta del filtro de escape y tirela hacia afuera para remover de la aspiradora.



Remueva el cartucho del filtro de escape.



Empuje solamente sobre el marco del cartucho del filtro, no sobre el material del filtro mismo. El sello gris del filtro debe ser puesto contra el cuerpo de la aspiradora.

Reemplace la cubierta del filtro de escape poniendo las lengüetas en las hendiduras y empujando hasta que la cubierta calza en su lugar.

## CAMBIO DE LA CORREA Y LIMPIEZA DEL AGITADOR

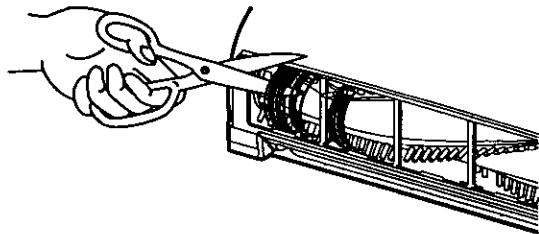


### ADVERTENCIA

**Peligro de choque eléctrico o lesión corporal**

Desconecte la unidad antes de limpiarla o darle servicio. De lo contrario podría producirse un choque eléctrico o causar lesión corporal si la aspiradora arranca de manera imprevista.

### LIMPIEZA DEL AGITADOR

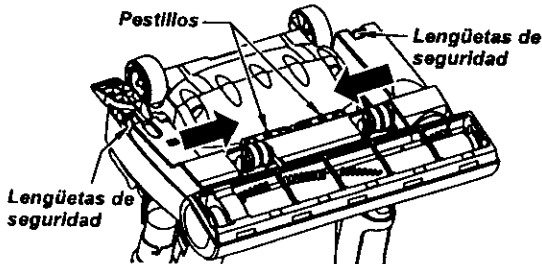


Para limpiar el agitador apague la aspirado corte cualquier acumulación de pelusa y alfombras alrededor del agitador con un par de tijeras a través de las ranuras provistas.

Quite el pelo, la secuencia, la pelusa y la otra ruina del mezclador.

### PARA SACAR LA CORREA

Desconecte el cordón de poder del tomacorriente, y póngalo sobre papel para proteger la superficie del piso. Ponga la aspiradora en la posición vertical.



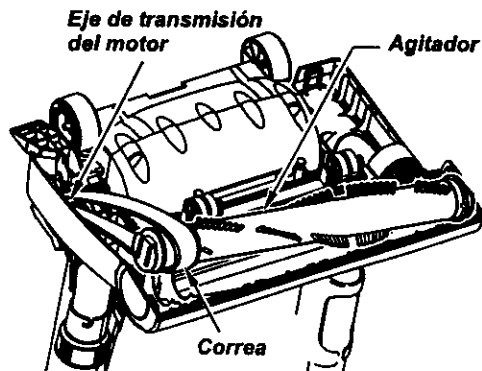
Dé vuelta la unidad de modo que el agitador y la placa de base miren hacia arriba.

Ubique los dos pestillos y las dos lengüetas de cierre que aseguran la placa de base.

Para sacar la placa de base, apriete los dos pestillos hacia adentro.

Apriete hacia adentro sobre las lengüetas de cierre hacia el centro de la aspiradora.

Tire la placa de base lejos del alojamiento de la boquilla. Los costados de la placa de base necesitan ser tirados ligeramente hacia afuera para que pasen las ruedas.



El agitador y la correa están ahora expuestos. Cuidadosamente remueva cualquier residuo que pueda existir en el área de la correa. Si la correa está todavía agarrada al eje del motor, habrá tensión sobre el agitador. Si la correa no está rota, remuévala del eje del motor antes de levantar el agitador.

Cuidadosamente levante un extremo del agitador y entonces levante el otro extremo.



### ADVERTENCIA

**Peligro de lesión personal**

Tenga cuidado al quitar el cepillo cilíndrico, la tensión de la correa es grande. Si no tiene precaución podría sufrir una lesión personal si el cepillo se libera rápidamente y sale disparado.

## LIMPIEZA DEL AGITADOR

**Nota:** Para mantener una alta eficiencia de limpieza y evitar el daño a la aspiradora, hay que limpiar el agitador cada vez que se cambia la correa.

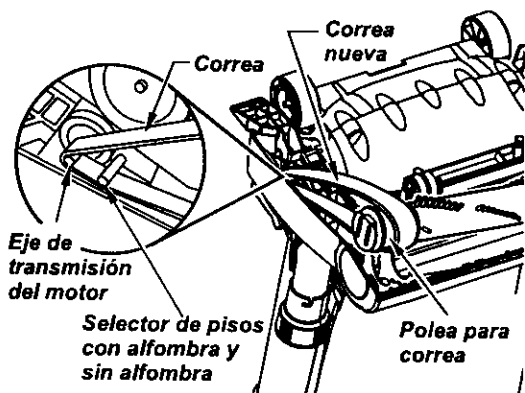
También hay que limpiar el agitador según el siguiente horario:

<b>El uso de la aspiradora</b>	Limpie el agitador
<b>Frecuente -</b> (usada diariamente)	cada semana
<b>Moderado -</b> (usada 2 o 3 veces por semana)	cada mes
<b>Ligero -</b> (usada 1 vez por semana)	cada 2 meses

Retire todo indicio de basura o suciedad de la zona de la correa y del agitador.

## PARA CAMBIAR LA CORREA

Asegurase que el selector de pisos con y sin alfombra este en la posición de **pisos con alfombra**. Coloque la nueva correa alrededor del eje de transmisión del motor.



**Nota:** Consulte las **PIEZAS Y CARACTERÍSTICAS** para determinar el N°. de correa.

Ensarte la correa nueva sobre el agitador.

Alinee la extensión cuadrada de cada tapa con las ranuras de la estructura de la boquilla.

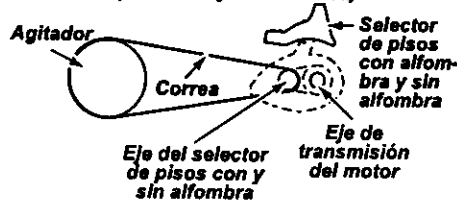
**Nota:** Debido a la tensión de la correa, debe actuar con cuidado al instalarla.

## CORREA SOBRE LA RANURA GUIA

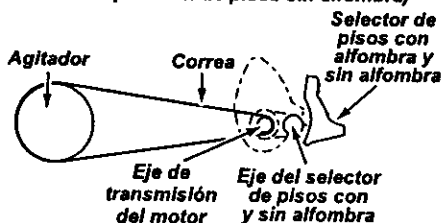
**Correa Está Centrada Sobre la Ranura Guía**  
(Selector de pisos con y sin alfombra este en la posición de pisos con alfombra)



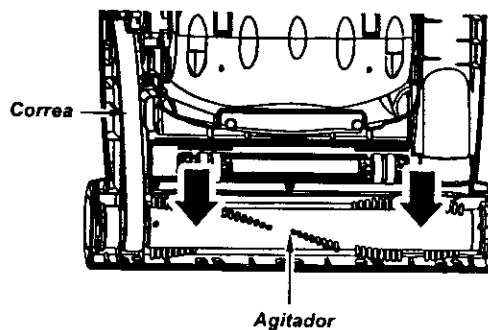
**Correa No Está Centrada Sobre la Ranura Guía**  
(Correa alrededor del eje del selector de pisos con y sin alfombra)



**Correa No Está Centrada Sobre la Ranura Guía**  
(El selector de pisos con y sin alfombra este en la posición de pisos sin alfombra)



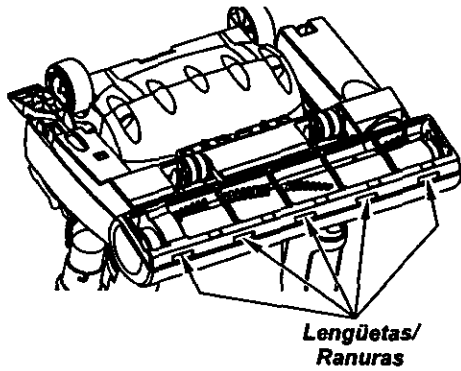
Haga presión firmemente, asegurándose de que hayan entrado bien ambos extremos.



Asegúrese de que la correa esté centrada sobre la ranura guía. Gire el agitador con los dedos para asegurarse de que gire libremente.

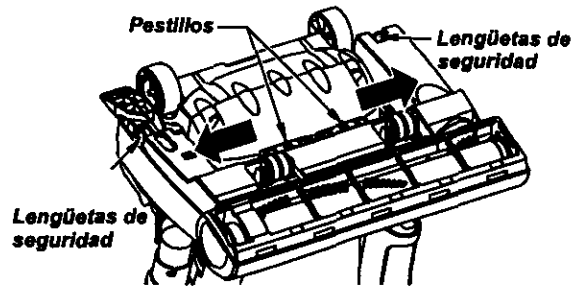
ESPAÑOL

Para reinstalar la placa de la base, inserte las cuatro pestañas dentro de las cuatro ranuras ubicadas a lo largo del borde frontal de la base. Coloque la aspiradora en la posición vertical.



Coloque la placa de la base en su posición original.

Cuando este bajando la base, la parte interior va a rozar contra las ruedas. Si ud, le hala un poco afuera le ayudara a resamblarlo.



Precione la base del plato para abajo hasta que las lengüetas de seguridad estén en su lugar.

Deslice el pestillo de la izquierda a la izquierda y el pestillo derecho a la derecha para que estan seguros.

Coloque la aspiradora en la posición vertical antes de conectarla en el enchufe.

## CÓMO ELIMINAR LOS RESIDUOS DE BASURA EN LOS CONDUCTOS

Proceda siempre con precauciones de seguridad al limpiar y dar servicio la aspiradora.



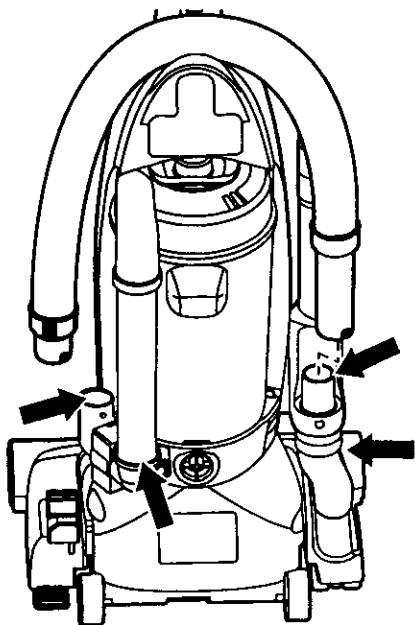
### ADVERTENCIA

**Peligro de choque eléctrico o lesión corporal**

Desconecte la unidad antes de limpiarla o darle servicio. De lo contrario podría producirse un choque eléctrico o causar lesión corporal si la aspiradora arranca de manera imprevista.

Si considera que la aspiradora no aspira bien asegúrese primero de que la bolsa no esté llena y de que el filtro no esté atascado. Consulte las instrucciones sobre CAMBIO DE LA BOLSA PARA POLVO y LIMPIEZA DES FILTROS.

Si las zonas del filtro y la cubo de la basura no están atascadas, examine la zona de la manguera. Retire el extremo inferior de la manguera expansible de la aspiradora tomándola por el collar y tirando de hacia arriba.

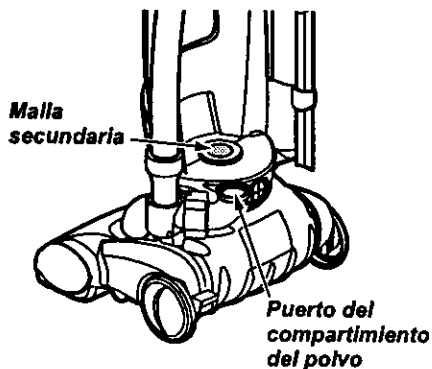


Examine visualmente la zona de la base donde se inserta la manguera.

Retire cualquier material bloqueante.

Reconecte la manguera de extensión al montaje de la puerta del canasto de basura. Enchufe la aspiradora y échela a andar. Estire la manguera a la longitud máxima y retórnela a la longitud de almacenaje.

Apague la unidad y desconéctela.



Remueva el canasto de basura y chequee la puerta y filtro secundario por obstáculos. Si el canasto de basura y áreas de filtrado y áreas de la manguera están libres de obstáculos, chequee el área de la boquilla. Para chequear esta área, vea la sección sobre LIMPIEZA DEL AGITADOR.

Retorne la aspiradora a la posición vertical antes de enchufarla en un tomacorriente.



### ADVERTENCIA

**Peligro de lesión personal**

NO coloque nunca las manos ni los pies debajo de la unidad. El agitador dará vueltas rápidamente cuando la aspiradora esté encendida y esté en la posición "carpet setting" (con alfombra).

ESPAÑOL

## CAMBIO DE LA BOMBILLA



### ADVERTENCIA

**Peligro de choque eléctrico o lesión corporal**

Desconecte la unidad antes de limpiarla o darle servicio. De lo contrario podría producirse un choque eléctrico o causar lesión corporal si la aspiradora arranca de manera imprevista.

### PARA QUITAR LA BOMBILLA

Desconecte el cable de poder del tomacorriente. Baje la manija para poner la aspiradora plana.



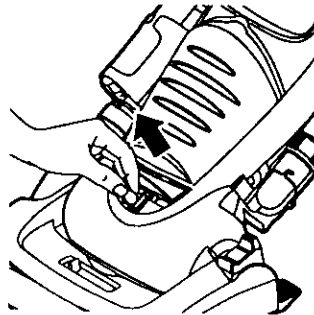
Extraiga el lente de la hendidura insertando el desarmador en la rendija, empuje hacia abajo el lente y girelo con el desarmador en dirección hacia la unidad.



### CUIDADO

No use una bombilla de más de 9 vatios (13 volts). Cuando se use la aspiradora por un largo periodo de tiempo, el calor de la bombilla puede calentar las partes de plástico cerca.

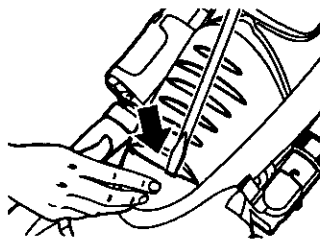
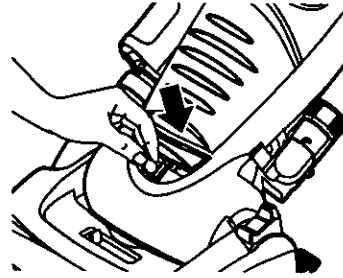
Remueva la bombilla tirando derecho hacia afuera.



### CUIDADO

No conecte o encienda la aspiradora antes de armarla completamente.

Para reemplazar la bombilla cuidadosamente insértela seguramente en la ranura. Reemplace la cubierta de la lente.



Substituya la cubierta de la lente insertando la parte inferior de la lente en la ranura, entonces aplique presión en la parte superior con un destornillador. Un sonido "pop" indica que la lente está colocada correctamente en su lugar.

Nota: Mire **PIEZAS Y CARACTERISTICAS** para el número de la bombilla.

# RECONOCIMIENTO DE PROBLEMAS

Revise este recuadro para encontrar soluciones a problemas que puede corregir usted mismo. Cualquier otro servicio debe ser realizado por SEARS u otro agente de servicio calificado.



## ADVERTENCIA Peligro de choque eléctrico

Desconecte la aspiradora antes de efectuar el mantenimiento a su aspiradora. De lo contrario podría producirse un choque eléctrico o causar lesión corporal.

PROBLEMA	CAUSA POSIBLE	SOLUCIÓN POSIBLE
La aspiradora no funciona.	<ol style="list-style-type: none"> <li>1. Está desconectada.</li> <li>2. Cortacircuitos botado o fusible quemado en el tablero de servicio de la residencia.</li> <li>3. Interruptor de encendido/apagado no está en la posición ON.</li> <li>4. Protector térmico activado.</li> </ol>	<ol style="list-style-type: none"> <li>1. Conecte bien, oprima selector de encendido/apagado a la posición ON.</li> <li>2. Restablezca el cortacircuitos o cambie el fusible.</li> <li>3. Coloque el interruptor de encendido/apagado en la posición ON.</li> <li>4. Reajuste el protector térmico.</li> </ol>
No aspira satisfactoriamente.	<ol style="list-style-type: none"> <li>1. Cubo de la basura lleno o atascado.</li> <li>2. Ajuste incorrecto de nivel de pelo de la alfombra.</li> <li>3. Agitador desgastado.</li> <li>4. Boquilla, o portillo de cubo de la basura atascada.</li> <li>5. Manguera atascado.</li> <li>6. Manguera rota.</li> <li>7. Correa rota.</li> <li>8. La manguera no está bien insertada.</li> <li>9. Activación del sistema de protección del motor.</li> </ol>	<ol style="list-style-type: none"> <li>1. Cubo de la basura limpio.</li> <li>2. Ajuste el nivel.</li> <li>3. Cambie el agitador</li> <li>4. Revise <b>COMO ELIMINAR LOS RESIDUOS DE BASURA EN LOS CONDUCTOS.</b></li> <li>5. Limpiar tubo para la mugre.</li> <li>6. Cambie la manguera.</li> <li>7. Cambie la correa.</li> <li>8. Inserte bien la manguera</li> <li>9. Determine si existen bloqueos.</li> </ol>
La aspiradora levanta tapetes o es difícil de empujar.	<ol style="list-style-type: none"> <li>1. Ajuste incorrecto de nivel de pelo de la alfombra.</li> </ol>	<ol style="list-style-type: none"> <li>1. Ajuste el nivel.</li> </ol>
La luz no funciona.	<ol style="list-style-type: none"> <li>1. Bombilla fundida.</li> </ol>	<ol style="list-style-type: none"> <li>1. Cambie la bombilla.</li> </ol>
El ensamble del agitador no gira	<ol style="list-style-type: none"> <li>1. Selector encendido/apagado del agitador en posición OFF.</li> <li>2. Correa rota.</li> </ol>	<ol style="list-style-type: none"> <li>1. Ponga el selector en posición ON,</li> <li>2. Cambie la correa.</li> </ol>
Restricción del flujo de el uso de los accesorios. Cambio de sonido.	<ol style="list-style-type: none"> <li>1. El uso de los accesorios limita el flujo de aire.</li> <li>2. La pelusa de una alfombra nueva obstruye el paso de aire.</li> </ol>	<ol style="list-style-type: none"> <li>1. Revise <b>USO DE LOS ACCESORIOS.</b></li> <li>2. Revise <b>COMO ELIMINAR LOS RESIDUOS DE BASURA EN LOS CONDUCTOS</b> y limpie la manguera.</li> </ol>
Indicador de polvo, algunos modelos, no funciona.	<ol style="list-style-type: none"> <li>1. Celdas ópticas están sucias.</li> </ol>	<ol style="list-style-type: none"> <li>1. Limpie las celdas ópticas.</li> </ol>

ESPAÑOL

## Get it fixed, at your home or ours!

### Your Home

For repair – in your home – of all major brand appliances, lawn and garden equipment, or heating and cooling systems, no matter who made it, no matter who sold it!

For the replacement parts, accessories and owner's manuals that you need to do-it-yourself.

For Sears professional installation of home appliances and items like garage door openers and water heaters.

**1-800-4-MY-HOME®** Anytime, day or night  
(1-800-469-4663) (U.S.A. and Canada)  
[www.sears.com](http://www.sears.com) [www.sears.ca](http://www.sears.ca)

### Our Home

For repair of carry-in products like vacuums, lawn equipment, and electronics, call or go on-line for the nearest **Sears Parts and Repair Center.**

**1-800-488-1222** Anytime, day or night (U.S.A. only)  
[www.sears.com](http://www.sears.com)

To purchase a protection agreement (U.S.A.) or maintenance agreement (Canada) on a product serviced by Sears:

**1-800-827-6655** (U.S.A.) **1-800-361-6655** (Canada)

Para pedir servicio de reparación a domicilio, y para ordenar piezas:

**1-888-SU-HOGAR™**  
(1-888-794-6427)

Au Canada pour service en français:

**1-800-LE-FOYER™**  
(1-800-633-6937)  
[www.sears.ca](http://www.sears.ca)

# SEARS

© Sears, Roebuck and Co.

® Registered Trademark / ™ Trademark / ℠ Service Mark of Sears, Roebuck and Co.

© Marca Registrada / ™ Marca de Fábrica / ℠ Marca de Servicio de Sears, Roebuck and Co.

MC Marque de commerce / MC Marque déposée de Sears, Roebuck and Co.