

DENON

取扱説明書

OWNER'S MANUAL

BEDIENUNGSANLEITUNG

MANUALE DELLE ISTRUZIONI

MANUEL DE L'UTILISATEUR

MANUAL DEL USUARIO

GEbruIKSAANWIJZING

BRUKSANVISNING

DL-A100

ステレオ カートリッジ
STEREO CARTRIDGE

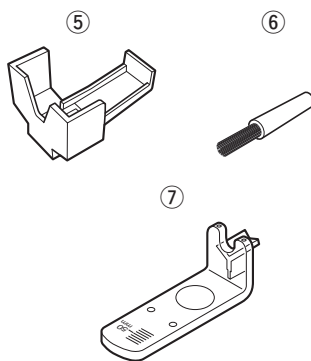
Thank you for purchasing the DENON 100th anniversary DL-A100 cartridge. This cartridge is developed by precisely reproducing the original engineering reference model of the high-performance Japanese standard cartridge DL-103 and using the latest tuning technologies.

DENON (then Nippon Columbia Co., Ltd.) developed DL-103 jointly with NHK Science & Technical Research Laboratories to produce "highly reliable high-performance cartridges for stereo record broadcasting" in 1964. Since its launch, DL-103 has consistently been used as the standard cartridge not only in NHK FM broadcasting but also by many audio and music fans.

The DENON 100th anniversary DL-A100 cartridge is carefully manufactured one by one just as DL-103 has been since its launch. We hope you enjoy using a cartridge that inherits the time-proven reliability of DL-103.

Accessories

- ① Mount screws (Length:Approx 17 mm) ... 2
- ② Mount screws (Length:Approx 11 mm) ... 2
- ③ Mount nuts 2
- ④ Washer 2
- ⑤ Stylus cover 1
- ⑥ Stylus cleaning brush 1
- ⑦ Stylus position adjustment gauge 1
- ⑧ Owner's Manual 1
- ⑨ Data sheet 1
- ⑩ Service Station list 1

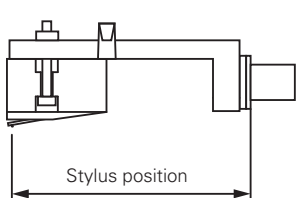


Cautions on handling

- The Stylus is very delicate. Applying excessive force to the stylus, such as pressing with a finger can break it. Handle the cartridge with the utmost care.
- A powerful magnet is used in the cartridge. Note that carelessly bringing a steel screwdriver or other such item near the cartridge will result in it being attracted by the magnet and may result in damage to the stylus, so care must be taken.
- Be sure to use the stylus cover when mounting the cartridge in the head shell, or when otherwise handling the cartridge.

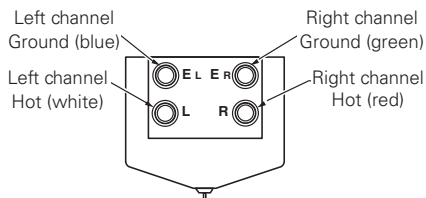
Mounting to the head shell

- To protect the stylus, be sure to mount the stylus cover when performing this procedure.
- Adjust to the stylus position specified for the turntable system you are using and mount properly without tilting or turning it.



- When adjusting the stylus position, use the provided stylus position adjustment gauge.
- Two types of screws are provided with the cartridge. Use the screws of the length suitable for your shell.

- The layout of the output terminals is as shown on the diagram below. Be sure to connect properly.



NOTE

When connecting the cartridge, be sure to use the tipped leads and press them onto the terminals. Applying heat to the output terminals of the cartridge, such as in direct soldering, will cause internal damage to the cartridge, such as wire breakage.

Tracking force adjustment

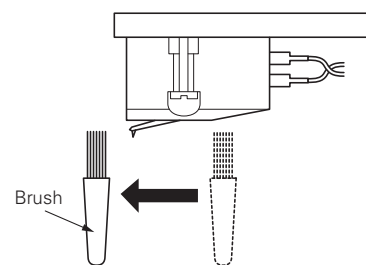
Tracking force in the range of 25 mN \pm 3 mN (2.5 g \pm 0.3 g) should be used.

Output voltage

The output voltage is 0.3 mV. If your amplifier does not support the MC cartridge input, use a step-up transformer or head amplifier designed for MC type cartridges.

Stylus cleaning

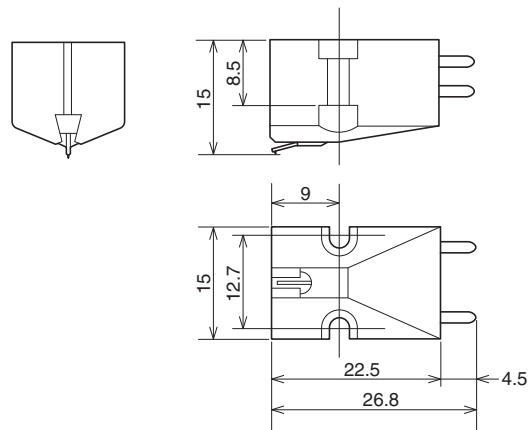
Use the included brush to carefully remove any dirt from the tip of the stylus before and after playing records.



Specifications

Principle:	Moving coil (MC) type
Output Voltage:	0.3 mV (1 kHz, 50 mm/s horizontal direction)
Channel Balance:	1 dB max. (1 kHz)
Channel Separation:	25 dB min. (1 kHz)
Electrical Impedance:	40 Ω \pm 20 %
Compliance:	5 x 10 ⁻³ m/N (Using a 100 Hz record)
Stylus:	0.2 mm square solid diamond
Tracking Force:	25 mN \pm 3 mN (2.5 g \pm 0.3 g)
Frequency Response:	20 Hz to 45 kHz
Weight:	8.8 g
Load Impedance:	100 Ω min. (40 Ω when using a transformer)

External Dimensions Diagram (unit: mm)



* Appearance and specifications are subject to change without notice for purpose of improvement.