

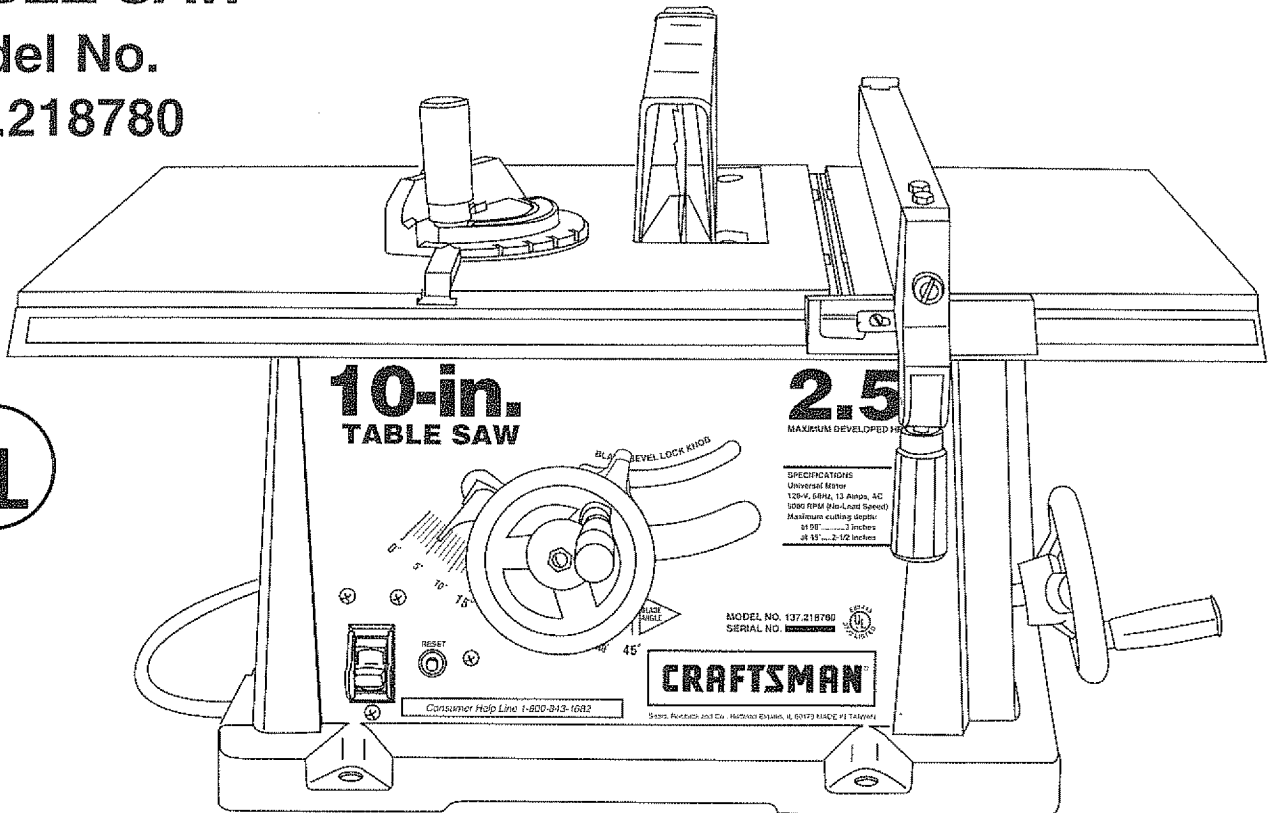
Owner's Manual

CRAFTSMAN®

2.5 HP (Maximum Developed)
10" Inch Blade
5000 R.P.M.

TABLE SAW

Model No.
137.218780



CAUTION:

Before using this Table Saw, read this manual and follow all its Safety Rules and Operating Instructions.

- Safety Instructions
- Installation
- Operation
- Maintenance
- Parts List
- Español

Customer Help Line
1-800-843-1682

Sears, Roebuck and Co., Hoffman Estates, IL 60179 USA
Part No. 137218780001

TABLE OF CONTENTS

SECTION	PAGE
Warranty	2
Product Specifications	2
Safety Instructions	3
Accessories and Attachments	6
Tools needed for assembly	6
Carton Contents	6
Know Your Table Saw	8
Assembly and Adjustments	9
Operation	14
Maintenance	18
Troubleshooting guide	19
Parts	20
Making a push stick	29
Español	33

WARRANTY

FULL ONE YEAR WARRANTY

If this product fails due to a defect in material or workmanship within one year from the date of purchase, Sears will repair it free of charge.

Contact a Sears Service Center for repair.

If this product is used for commercial or rental purposes, this warranty applies only for 90 days from the date of purchase.

This warranty gives you specific legal rights, and you may also have other rights which vary from state to state.

Sears, Roebuck and Co., Dept. 817 WA, Hoffman Estates, IL 60179

PRODUCT SPECIFICATIONS

MOTOR

HP (Max. developed)	2.5
Volts	120
Amperes	13
Hertz	60
RPM (no load)	5000
Overload protection	YES

SAW

Table	17-1/2" x 26-1/2"
Blade	10"
Maximum depth of cut at 90°	3"
Maximum depth of cut at 45°	2-1/2"
Maximum width of dado	1/2"
Weight	35.4 lbs.

⚠ WARNING

To avoid electrical hazards, fire hazards, or damage to the tool, use proper circuit protection.

Your table saw is wired at the factory for 120V operation. Connect to a 120V, 15 AMP branch circuit and use a 15 AMP time delay fuse or circuit breaker. To avoid shock or fire, replace power cord immediately if it is worn, cut or damaged in any way.

SAFETY

GENERAL SAFETY INSTRUCTIONS BEFORE USING THE TABLE SAW

Safety is a combination of common sense, staying alert and knowing how to use your table saw.

⚠ WARNING

To avoid mistakes that could cause serious injury, do not plug the table saw in until you have read and understood the following:

- 1. READ** and become familiar with this entire instruction manual. LEARN the tool's applications, limitations, and possible hazards.
- 2. KEEP GUARDS IN PLACE** and in working order.
- 3. REMOVE ADJUSTING KEYS AND WRENCHES.** Form the habit of checking to see that keys and adjusting wrenches are removed from the tool before turning ON.
- 4. KEEP WORK AREA CLEAN.** Cluttered areas and benches invite accidents.
- 5. DON'T USE IN A DANGEROUS ENVIRONMENT.** Don't use power tools in damp or wet locations, or expose them to rain. Keep work area well lighted.
- 6. KEEP CHILDREN AWAY.** All visitors should be kept at a safe distance from the work area.
- 7. MAKE WORKSHOP KID PROOF** with padlocks, master switches, or by removing starter keys.
- 8. DON'T FORCE THE TOOL.** It will do the job better and safer at the rate for which it was designed.
- 9. USE THE RIGHT TOOL.** Don't force tool or the attachment to do a job for which it was not designed.
- 10. USE PROPER EXTENSION CORD.** Make sure your extension cord is in good condition. When using an extension cord, be sure to use one heavy enough to carry the current your product will draw. An undersized cord will cause a drop in line voltage resulting in loss of power and overheating. The table on page 5 shows the correct size to use depending on cord length and nameplate ampere rating. If in doubt, use the next heavier gauge. The smaller the gauge number, the heavier the cord.
- 11. WEAR PROPER APPAREL.** DO NOT wear loose clothing, gloves, neckties, rings, bracelets, or other jewelry which may get caught in moving parts. Nonslip footwear is recommended. Wear protective hair covering to contain long hair.
- 12. ALWAYS WEAR EYE PROTECTION.** Any table saw can throw foreign objects into the eyes which could cause permanent eye damage. ALWAYS wear Safety Goggles (not glasses) that comply with ANSI safety standard Z87.1. Everyday eyeglasses have only impact-resistant lenses. They ARE NOT safety glasses. Safety Goggles are available at Sears. **NOTE:** Glasses or goggles not in compliance with ANSI Z87.1 could seriously hurt you when they break.
- 13. WEAR A FACE MASK OR DUST MASK.** Sawing operation produces dust.
- 14. SECURE WORK.** Use clamps or a vise to hold work when practical. It's safer than using your hand and it frees both hands to operate tool.
- 15. DISCONNECT TOOLS** before servicing, and when changing accessories, such as blades, bits, cutters, and the like.
- 16. REDUCE THE RISK OF UNINTENTIONAL STARTING.** Make sure the switch is in OFF position before plugging in.
- 17. USE RECOMMENDED ACCESSORIES.** Consult the owner's manual for the recommended accessories. The use of improper accessories may cause risk of injury to persons.
- 18. NEVER STAND ON TOOL.** Serious injury could occur if the tool is tipped or if the cutting tool is unintentionally contacted.
- 19. CHECK FOR DAMAGED PARTS.** Before further use of the tool, a guard or other part that is damaged should be carefully checked to determine that it will operate properly and perform its intended function. Check for alignment of moving parts, binding of moving parts, breakage of parts, mounting, and any other conditions that may affect its operation. A guard or other part that is damaged should be properly repaired or replaced.
- 20. NEVER LEAVE TOOL RUNNING UNATTENDED. TURN THE POWER OFF.** Don't leave the tool until it comes to a complete stop.
- 21. DON'T OVERREACH.** Keep proper footing and balance at all times.
- 22. MAINTAIN TOOLS WITH CARE.** Keep tools sharp and clean for best and safest performance. Follow instructions for lubricating and changing accessories.



SAVE THESE INSTRUCTIONS

23. **DIRECTION OF FEED.** Feed work into a blade or cutter against the direction of rotation of the blade or cutter only.
24. **WARNING:** Dust generated from certain materials can be injurious to your health. Always operate saw in well ventilated areas and provide for proper dust removal.

SPECIFIC SAFETY INSTRUCTIONS FOR THE TABLE SAW

- ALWAYS USE SAW BLADE GUARD** spreader and anti-kickback pawls for every operation for which they can be used, including through-sawing. Through-sawing operations are those in which the blade cuts completely through the workpiece when ripping or cross-cutting.
- ALWAYS HOLD THE WORK FIRMLY** against the miter gauge or rip fence.
- USE A PUSH STICK** when required. Always use a push stick for ripping narrow stock. Refer to ripping applications in the instruction manual where the push stick is covered in detail. See the push stick pattern included in this Owner's Manual.
- NEVER PERFORM ANY OPERATION "FREE HAND"**, which means using your hands only to support or guide the workpiece. Always use either the fence or the miter gauge to position and guide the work.
- NEVER STAND** or have any part of your body in line with the path of the saw blade. Keep your hands out of the line of the saw blade.
- NEVER REACH** behind or over the cutting tool for any reason.
- REMOVE** the rip fence when cross-cutting.
- DO NOT USE** molding head set with this saw.
- FEED WORK INTO THE BLADE** against the direction of rotation only.
- NEVER** use the fence as a cut-off gauge when cross-cutting.
- NEVER ATTEMPT TO FREE A STALLED SAW BLADE** without first turning the saw OFF. Turn power switch OFF immediately to prevent motor damage.

- PROVIDE ADEQUATE SUPPORT** to the rear and sides of the saw table for wide or long workpieces.
- AVOID KICKBACKS** (work thrown back towards you) by keeping the blade sharp, keeping the rip fence parallel to the saw blade, and by keeping the spreader, anti-kickback pawls, and guard in place and functioning. Do not release work before it is pushed all the way past the saw blade. Do not rip work that is twisted, warped, or does not have a straight edge to guide along the fence.
- AVOID AWKWARD OPERATIONS** and hand positions where a sudden slip could cause your hand to move into the cutting tool.
- NEVER USE SOLVENTS** to clean plastic parts. Solvents could possibly dissolve or otherwise damage the material. Only a soft damp cloth should be used to clean plastic parts.
- MOUNT** your table saw before performing any cutting operations. Refer to installation instructions.
- NEVER CUT METALS** or materials which may make hazardous dust.
- ALWAYS USE IN A WELL VENTILATED AREA.** Remove sawdust frequently. Clean out sawdust from the interior of the saw to prevent a potential fire hazard.
- NEVER LEAVE THE TOOL** running unattended. Don't leave the tool until it comes to a complete stop.
- For proper operation follow the instructions of this owner's manual titled "**SAW MOUNTED TO WORK SURFACES.**" Failure to provide sawdust fall-through and removal hole will allow sawdust to build up in the motor area, which may result in a fire hazard or cause motor damage.

ELECTRICAL REQUIREMENTS

POWER SUPPLY AND MOTOR SPECIFICATIONS

▲ WARNING

To avoid electrical hazards, fire hazards, or damage to the tool, use proper circuit protection. Use a separate electrical circuit for your tools. Your saw is wired at the factory for 120V operation. Connect to a 120V, 15 Amp circuit and use a 15 Amp time delay fuse or circuit breaker. To avoid shock or fire, if power cord is worn or cut, or damaged in any way, have it replaced immediately.

GROUNDING INSTRUCTIONS

IN THE EVENT OF A MALFUNCTION OR BREAKDOWN, grounding provides a path of least resistance for electric current and reduces the risk of electric shock. This tool is equipped with an electric cord that has an equipment grounding conductor and a grounding plug. The plug **MUST** be plugged into a matching receptacle that is properly installed and grounded in accordance with ALL local codes and ordinances.

DO NOT MODIFY THE PLUG PROVIDED. If it will not fit the receptacle, have the proper receptacle installed by a qualified electrician.

IMPROPER CONNECTION of the equipment grounding conductor can result in risk of electric shock. The conductor with the green insulation (with or without yellow stripes) is the equipment grounding conductor. If repair or replacement of the electric cord or plug is necessary, **DO NOT** connect the equipment grounding conductor to a live terminal.

CHECK with a qualified electrician or service person if you do not completely understand the grounding instructions, or if you are not sure the tool is properly grounded.

USE A SEPARATE ELECTRICAL CIRCUIT for your tools. This circuit must not be less than #12 wire and should be protected with a 15 Amp time delay fuse. Before connecting the motor to the power line, make sure the switch is in the OFF position and the electric current is rated the same as the current stamped on the motor nameplate. Running at a lower voltage will damage the motor.

This tool is intended for use on a circuit that has a receptacle like the one illustrated in FIGURE A. **FIGURE A** shows a 3-prong electrical plug and receptacle that has a grounding conductor. If a properly grounded receptacle is not available, an adapter (**FIGURE B**) can be used to temporarily connect this plug to a 2-contact ungrounded receptacle. The temporary adapter should be used only until a properly grounded receptacle can be installed by a qualified technician. The adapter (**FIGURE B**) has a rigid lug extending from it that **MUST** be connected to a permanent earth ground, such as a properly grounded receptacle box. The Canadian Electrical Code prohibits the use of adapters.

CAUTION: In all cases, make certain the receptacle is properly grounded. If you are not sure have a qualified electrician check the receptacle.

▲ WARNING

This table saw is for indoor use only. Do not expose to rain or use in damp locations.

Fig. A

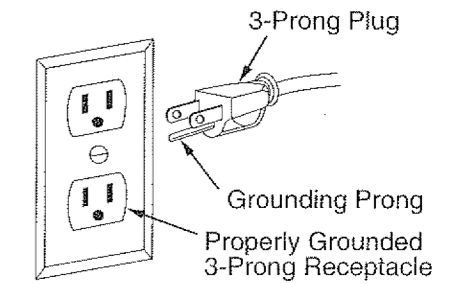
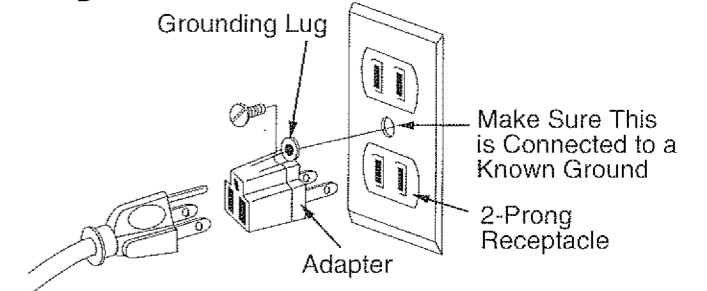


Fig. B



GUIDELINES FOR EXTENSION CORDS

USE ONLY 3-wire extension cords that have 3-prong grounding plugs and 3-pole receptacles that accept the tool's plug. Repair or replace damaged or worn cord immediately.

USE PROPER EXTENSION CORD. Make sure your extension cord is in good condition. When using an extension cord, be sure to use one heavy enough to carry the current your product will draw. An undersized cord will result in a drop in line voltage and in loss of power which will cause the tool to overheat. The table below shows the correct size to use depending on cord length and nameplate ampere rating. If in doubt, use the next heavier gauge. The smaller the gauge number, the heavier the cord.

Be sure your extension cord is properly wired and in good condition. Always replace a damaged extension cord or have it repaired by a qualified person before using it. Protect your extension cords from sharp objects, excessive heat and damp or wet areas.

▲ WARNING

This tool must be grounded while in use to protect the operator from electrical shock.

MINIMUM GAUGE FOR EXTENSION CORDS (AWG)					
(when using 120 volts only)					
Ampere Rating		Total length of cord in feet			
more than	not more than	25'	50'	100'	150'
0	6	18	16	16	14
6	10	18	16	14	12
10	12	16	16	14	12
12	16	14	12	Not Recommended	

SAVE THESE INSTRUCTIONS

SAVE THESE INSTRUCTIONS

ACCESSORIES AND ATTACHMENTS

RECOMMENDED ACCESSORIES

Visit your Sears Hardware Department or see the Craftsman Power and Hand Tools Catalog to purchase recommended accessories for this power tool.

▲ WARNING

To avoid the risk of personal injury:

- Do not use adjustable (wobble) type dadoes or carbide tipped dado blades, maximum dado width is 1/2".
- Do not use a dado with a diameter larger than 6".
- Do not use molding head set with this saw.
- Do not modify this power tool or use accessories not recommended by Sears.

CARTON CONTENTS

UNPACKING AND CHECKING CONTENTS

Separate all parts from packing material. Check each one with the illustration on the next page and the table of loose parts to make certain all items are accounted for, before discarding any packing material.

▲ WARNING

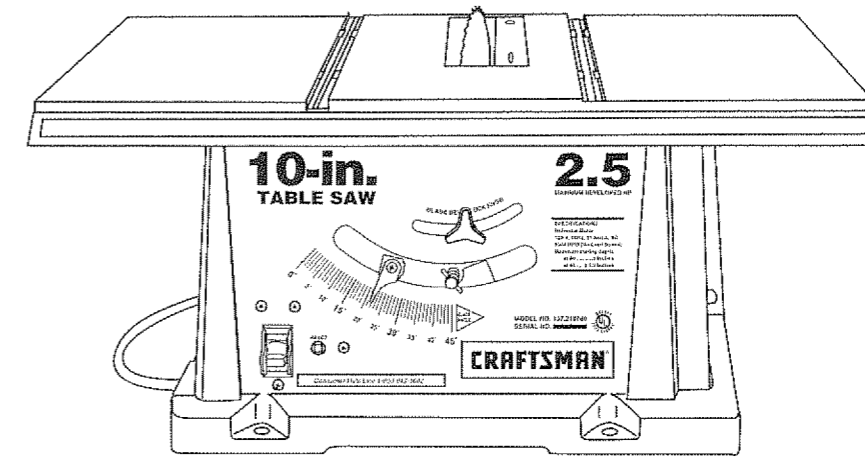
To avoid personal injury, if any parts are missing or damaged, do not attempt to assemble the table saw, plug in the power cord, or turn the switch on until the missing or damaged part is obtained and is installed correctly.

TABLE OF LOOSE PARTS

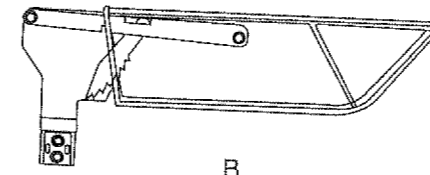
ITEM	DESCRIPTION	QUANTITY
A.	Table saw assembly	1
B.	Blade guard and splitter	1
C.	Bolt, flat washer, toothed washer, oval washer	1 each
D.	Rip fence and handle	1
E.	Handwheels	2
F.	Dome nuts	2
G.	Wheel handles	2
H.	Dado insert	1
I.	Miter gauge	1
J.	Hex key	2
K.	Blade wrenches	2

NOTE: To make assembly easier, keep contents of box together. Apply a coat of automobile wax to the table. Wipe all parts thoroughly with a clean dry cloth. This will reduce friction when pushing the workpiece.

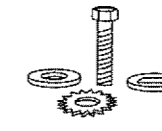
UNPACKING YOUR TABLE SAW:



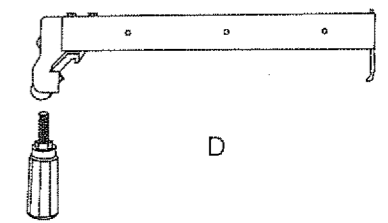
A



B



C



D



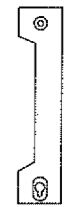
E



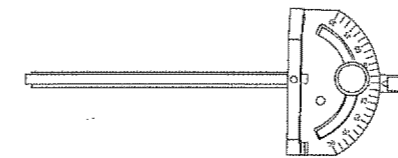
F



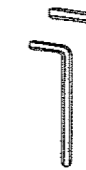
G



H



I



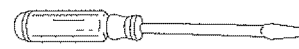
J



K

TOOLS NEEDED FOR ASSEMBLY

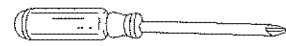
TOOLS NEEDED



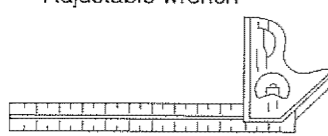
Medium screwdriver



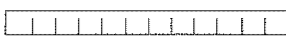
Adjustable wrench



#2 Phillips screwdriver

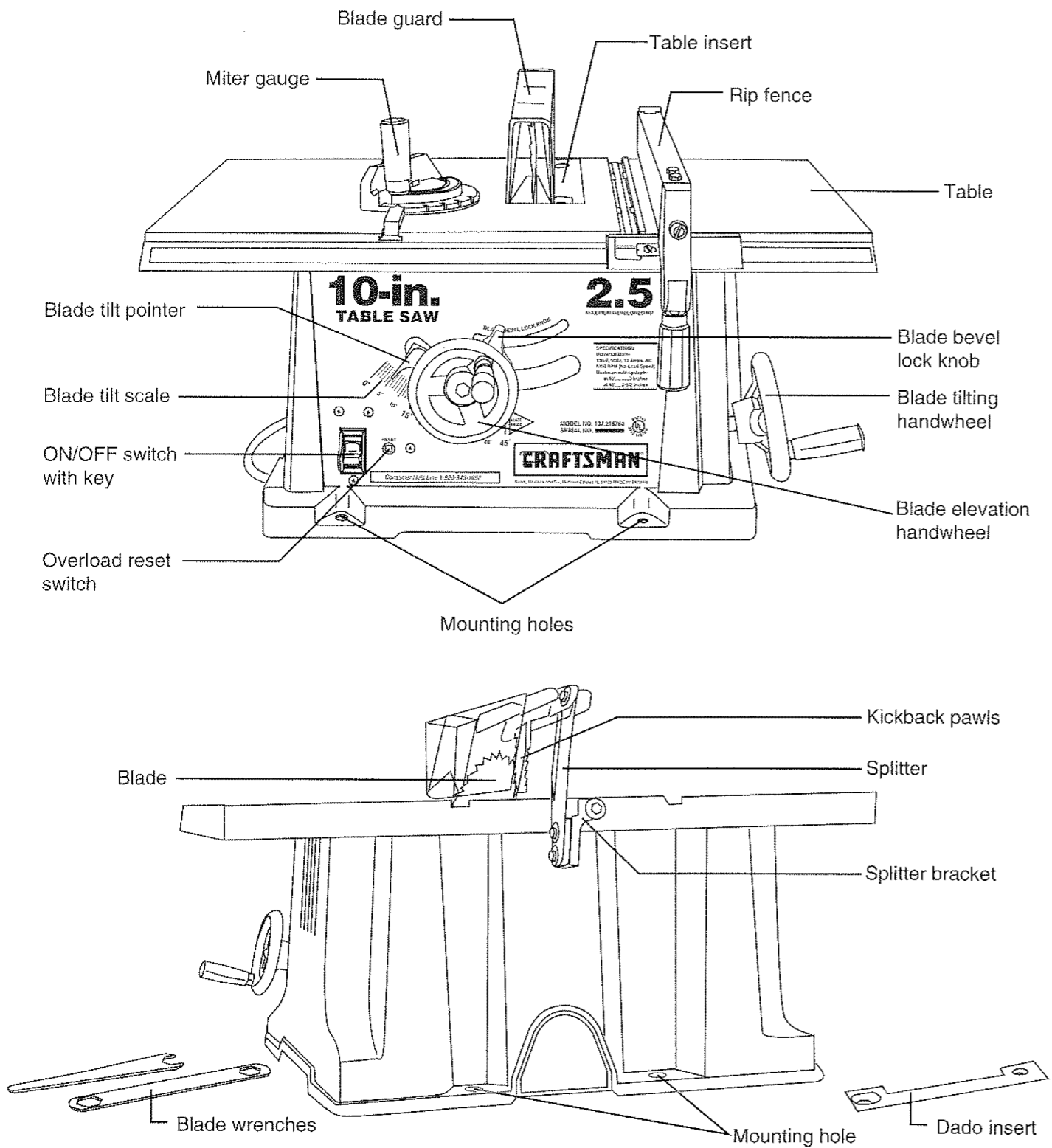


Combination square



Straight edge

KNOW YOUR TABLE SAW

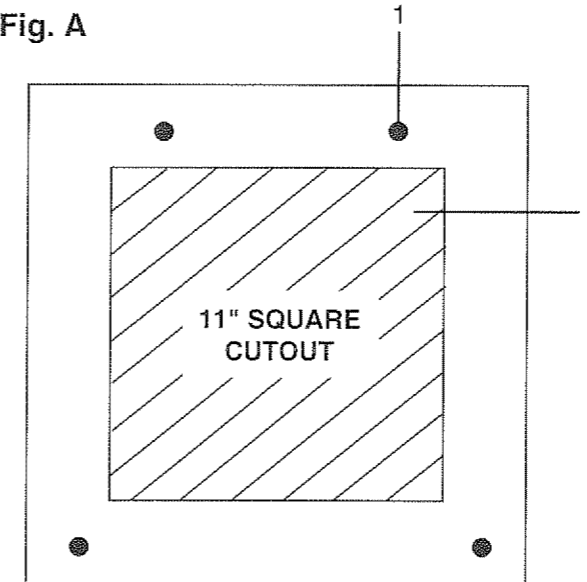


ASSEMBLY AND ADJUSTMENTS

SAW MOUNTED TO WORK SURFACES (FIG. A)

1. The saw must be properly secured to a sturdy workbench using the four mounting holes at the base of the saw.
2. The surface of the table where the saw is to be mounted must have a hole large enough to facilitate sawdust fall-through and removal.
3. Square the saw on the mounting surface and mark the location of the four 3/8" mounting holes (1).
4. Drill 3/8" holes into the mounting surface.
5. Mark an 11" square (2) centered between the four mounting holes (1).
6. Cut out and remove the square.
7. This opening will allow sawdust to fall through the saw base.
8. Place the saw on the work surface, and align the mounting holes of the saw with those drilled through the surface.
9. Fasten the saw to the work surface.

Fig. A



▲ WARNING

Failure to provide the sawdust fall-through hole will cause sawdust to build up in the motor area, which may result in fire or cause motor damage.

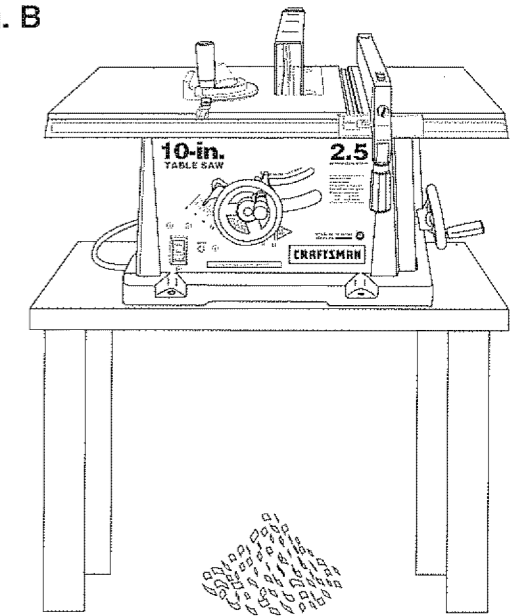
KEEPING THE AREA CLEAN (FIG. B)

1. Sawdust and wood chips that fall from under the saw will accumulate on the floor.
2. Make it a practice to pick up and discard this dust when you have completed cutting.

▲ WARNING

Always keep your work area clean, uncluttered and well lit. Do not work on floor surfaces that are slippery from sawdust or wax.

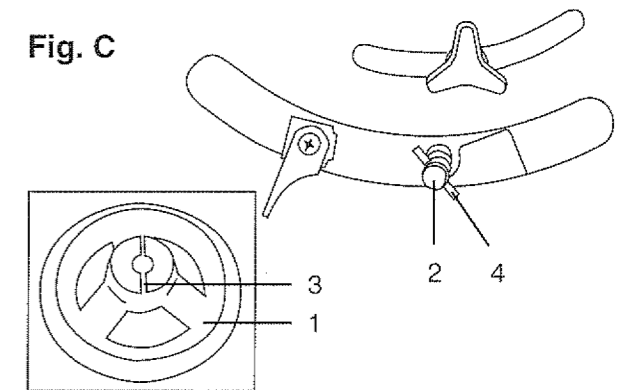
Fig. B



BLADE RAISING HANDWHEEL (FIG. C)

1. Attach the handwheel (1) to the elevation screw (2). Make sure the slots (3) in the hub of the handwheel engage with the pins (4).
2. Attach and tighten the dome nut (5) at the end of the shaft (Fig. D).

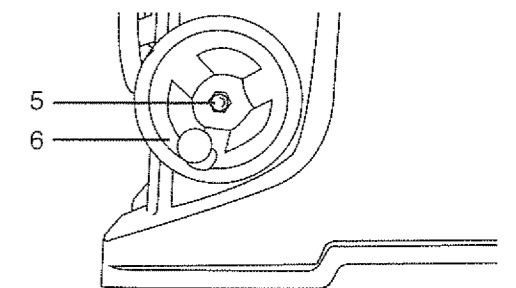
Fig. C



BLADE TILTING HANDWHEEL (FIG. D)

1. Attach the other handwheel (6) to the blade tilting screw in the same manner as above.
2. Attach and tighten the handwheel dome nut (5).

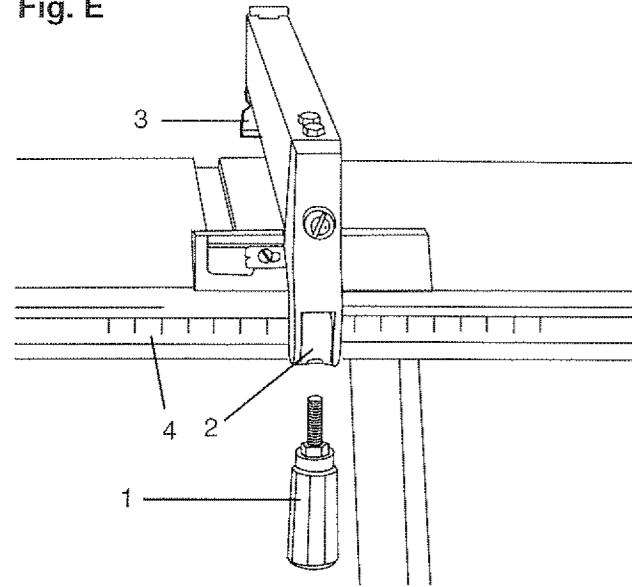
Fig. D



RIP FENCE (FIG. E)

1. Thread the fence handle (1) into the cam hole (2) until tight.
2. Lift upward on the rip fence handle so that the holding clamp (3) is fully extended.
3. Place the rip fence on the saw table and engage the holding clamp to the table rear. Lower the front end onto the front rail (4).
4. Push down on the fence handle (1) to lock.

Fig. E



CHANGING THE BLADE (FIG. F, G, H)

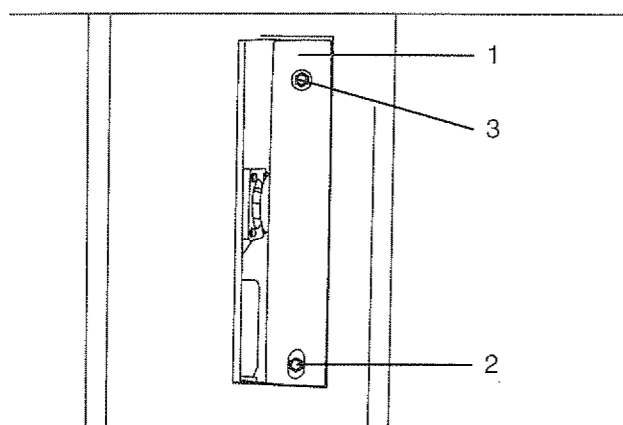
⚠ WARNING

To avoid injury from an accidental start, make sure the switch is in the OFF position and the plug is not connected to the power source outlet.

1. Remove the table insert (1) by unscrewing the two screws (2, 3). Be careful not to lose the rubber washer that is on the back screw (3) beneath the table insert.

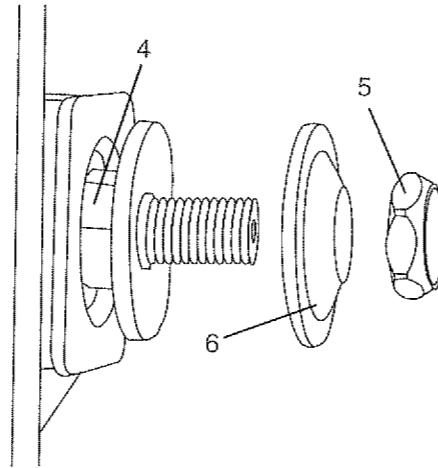
NOTE: The back screw is longer than the front screw.

Fig. F



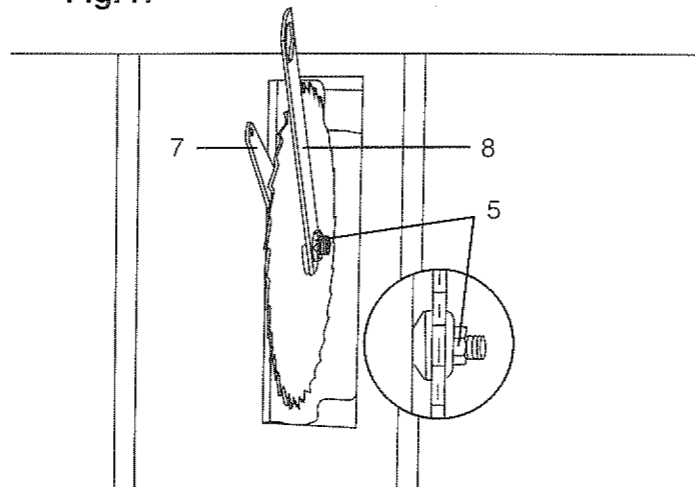
2. Raise the blade arbor (4) (FIG. G) to the maximum height by turning the blade-raising handwheel counterclockwise.
3. Remove the arbor nut (5) and flange (6), remove blade.
4. Install the new saw blade onto the arbor with the blade teeth pointing toward the front of the saw.
5. Install the flange against the blade and thread the arbor nut as far as possible by hand. Ensure that the blade is flush against the inner side of the blade flange.

Fig. G



6. To tighten the arbor nut (5) (FIG. H) use the open-end wrench (7) and align the wrench jaws on the flats of the blade arbor to keep the arbor from turning.
7. Place the box-end wrench (8) on the arbor nut, and turn clockwise (to the rear of the saw table.)
8. Replace the blade insert in the table recess, insert screws through the front and rear holes and tighten.

Fig. H



⚠ WARNING

To avoid injury from a thrown workpiece, blade parts, or blade contact, never operate saw without the proper insert in place. Use the saw blade insert when sawing. Use the dado head insert when using a dado.

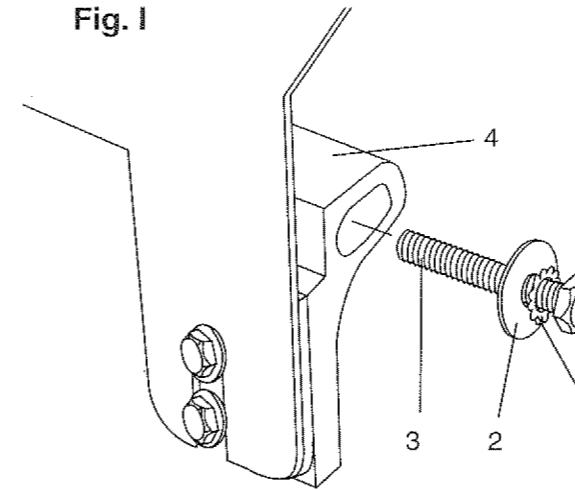
BLADE GUARD ASSEMBLY (FIG. I, J, K, L)

⚠ WARNING

To avoid injury from an accidental start, make sure the switch is in the OFF position and the plug is not connected to the power source outlet.

1. Set the blade to maximum height and the tilt to zero degrees on the bevel scale. Lock the blade lock knob.
2. Place the external tooth lockwasher (1) followed by a flat washer (2) onto the long bolt (3).
3. Insert this bolt through the splitter bracket (4) on the back of the guard assembly.

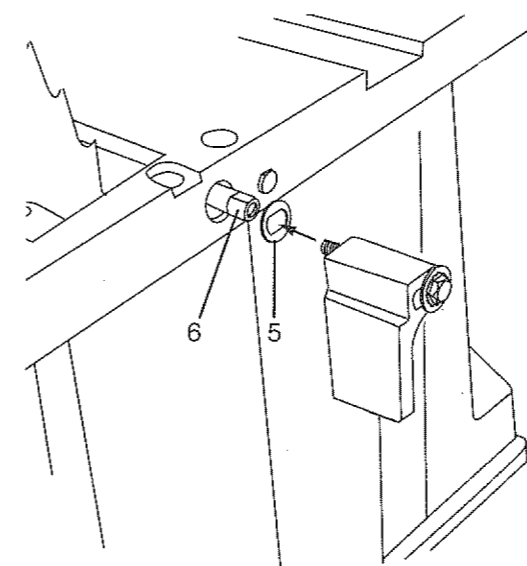
Fig. I



4. Place washer (5) onto the pivot rod (6). Insert the guard assembly into the pivot rod (FIG. J and K) at the rear of the saw table and tighten.

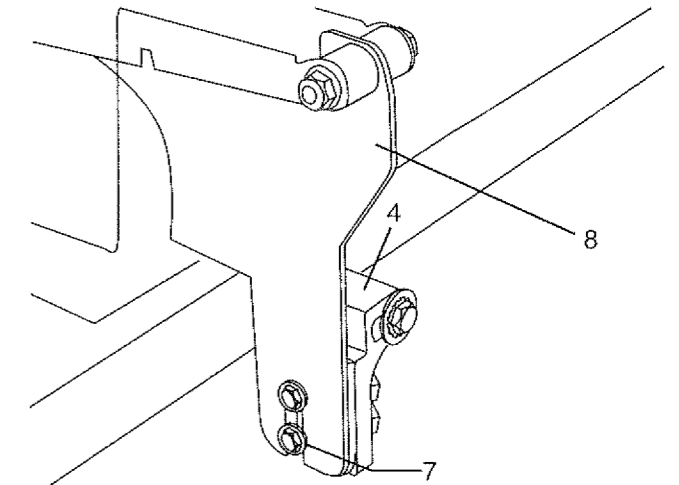
NOTE: Blade guard and splitter assembly removed from the splitter bracket illustration for clarity. (FIG. J).

Fig. J



5. Check that the nuts (7) that hold the blade guard assembly (8) to the bracket (4) are tight. Tighten if necessary. (FIG. K)

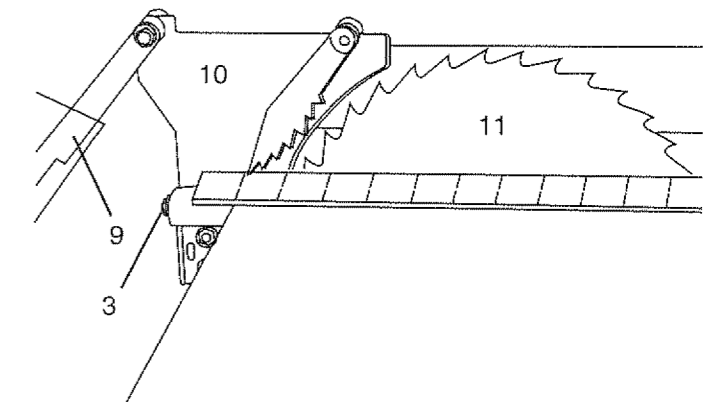
Fig. K



6. Position the blade guard arm (9) (FIG. L) to the rear.
7. Using a straight edge, check to see that the blade guard splitter (10) is aligned with the saw blade (11).
8. If straightening adjustment is necessary, the splitter (10) can be shifted to the left or to the right, and rotated.
9. When you are certain the splitter is properly aligned with the saw blade, tighten the bolt (3).

NOTE: The splitter must always be correctly aligned so that the cut workpiece will pass on either side of the splitter without binding or twisting to the side.

Fig. L

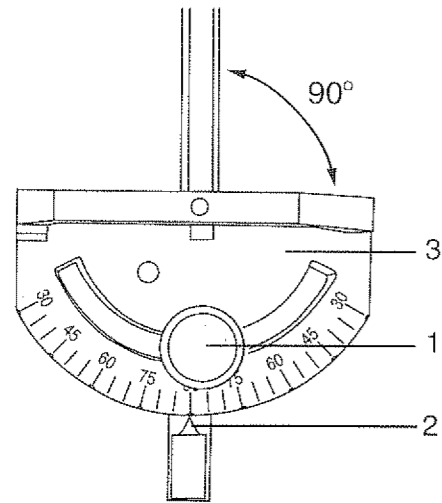


ADJUSTMENT INSTRUCTIONS

MITER GAUGE ADJUSTMENT (FIG. M)

1. Make sure that the miter gauge will slide freely through both table grooves.
2. Loosen the lock knob (1). Set the pointer (2) to the 90° mark on the scale.
3. Make a 90° cut in a piece of scrap wood. Check cut piece to see if it was cut at 90°. If it is not, continue to adjust the miter gauge body (3) until the wood piece is cut at 90°. Refer to OPERATION section for cutting instructions.

Fig. M



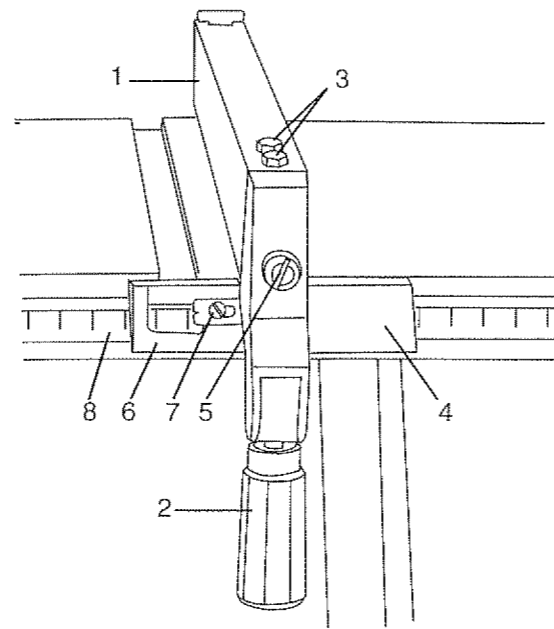
RIP FENCE ADJUSTMENT (FIG. N)

⚠ WARNING

To avoid injury from an accidental start, make sure the switch is in the OFF position and the plug is not connected to the power source outlet.

1. The fence (1) is moved by lifting up on the handle (2) and sliding the fence to the desired location. Pushing down on the handle locks the fence in position.
2. Position the fence on the right side of the table, and along one edge of the miter gauge grooves.
3. Lock the fence handle. The fence should be parallel with the miter gauge groove.
4. If adjustment is needed to make the fence parallel to the groove, do the following:
 - Loosen the two screws (3) and lift up on the handle (2).
 - Hold the fence bracket (4) firmly against the front of the saw table. Move the far end of the fence until it is parallel with the miter gauge groove.
 - Tighten both screws and push the handle to lock.
5. If fence is loose when the handle is in the locked (downward) position, do the following:
 - Move the handle (2) upward and turn the adjusting screw (5) clockwise until the rear clamp is snug. Do not turn the adjusting screw more than 1/4 turn at a time.
 - Over-tightening the adjusting screw will cause the fence to come out of alignment.

Fig. N



RIP FENCE INDICATOR ADJUSTMENT (FIG. N)

1. The rip fence indicator (6) points to the measurement scale (8). The scale shows the distance from the side of the fence to the nearest side of the blade.
2. Measure the actual distance with a rule. If there is a difference between the measurement and the indicator, adjust the indicator (6).
3. Loosen the screw (7) and slide the indicator to the correct measurement on the scale. Tighten screw and remeasure with the rule.

⚠ WARNING

To avoid injury from an accidental start, make sure the switch is in the OFF position and the plug is not connected to the power source outlet.

ADJUSTING THE 90° AND 45° POSITIVE STOPS (FIG. O, P)

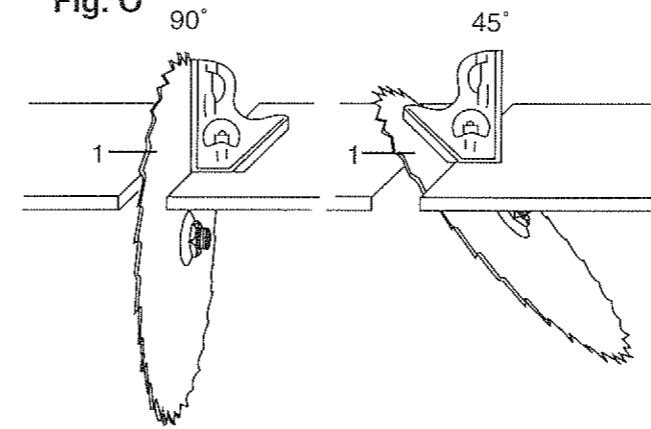
Your saw has positive stops that will quickly position the saw blade at 90° or 45° to the table. These stops were set at the factory. Make adjustments only if necessary.

90° Stop

1. Disconnect the saw from the power source.
2. Turn the blade elevation handwheel and raise the blade to the maximum elevation.
3. Loosen the blade bevel lock knob and move the blade to the maximum vertical position. Tighten the lock knob.
4. Place a combination square on the table and against the blade (1) to determine if the blade is 90° to the table. (FIG. O)
5. If the blade is not 90° to the table, loosen the two set screws (4), located on the bottom of the table saw (FIG. P) with the hex key, and back off the collar (5).

6. Loosen the bevel lock knob. Turn the blade tilting handwheel to move the blade until it is 90° to the table.
7. Adjust the collar (5) so it contacts the bracket (3) when the blade is 90° to the table. Tighten the two set screws (4).

Fig. O



45° Stop

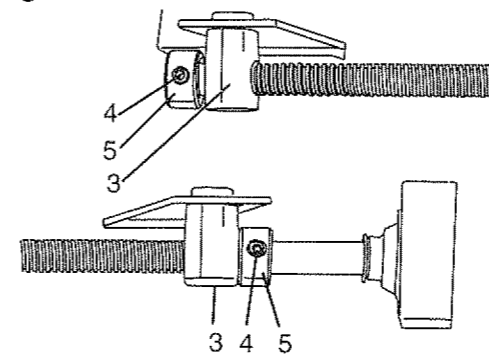
1. With the blade in the upright 90° position, loosen the bevel lock knob. Turn the blade tilting handwheel and move the blade to the 45° position as far as it will go.
2. Place the combination square on the table as shown in (FIG. O) to check if the blade is 45° to the table.
3. If the blade is not 45° to the table, loosen the two set screws (4) located under the table saw (FIG. P) with a 3 mm hex key, and back off the collar (5).
4. Loosen the bevel lock knob; turn the tilting handwheel to move the blade until it is 45° to the table.
5. Adjust the collar (5) so it contacts the bracket (3) when the blade is 45°. Tighten set screws (4).

BLADE TILT POINTER

1. When the blade is positioned at 90°, adjust the blade tilt pointer to read 0° on the scale.
2. Loosen the holding screw, position pointer over 0° and tighten screw.

NOTE: Make a trial cut on scrap wood prior to making critical cuts. Measure for exactness.

Fig. P



BLADE PARALLEL TO MITER GAUGE GROOVE (FIG. Q, R)

This adjustment was made at the factory, but it should be rechecked and adjusted if necessary.

⚠ WARNING

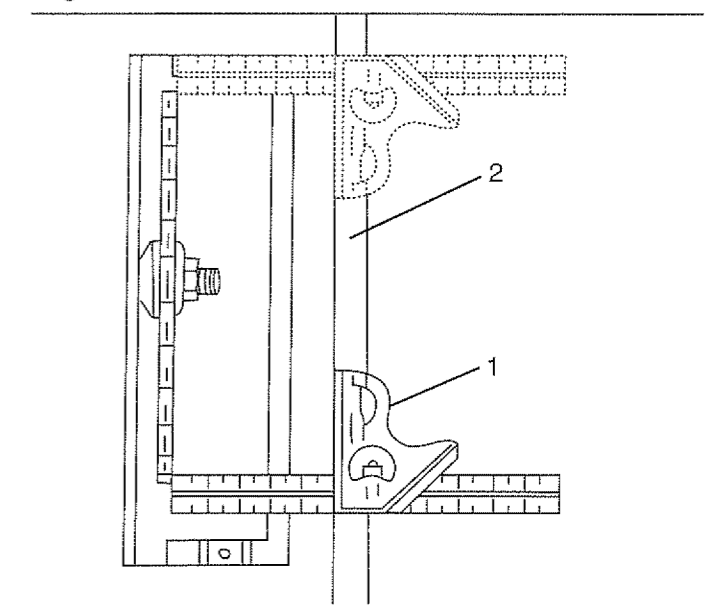
To prevent personal injury:

- Always disconnect plug from the power source when making any adjustments.
- This adjustment must be correct or kickback could result and accurate cuts cannot be made.

Initial adjustment (FIG. Q)

1. Remove the yellow switch key and unplug the saw.
2. Move the blade guard out of the way.
3. Raise the blade to the highest position and set at the 0° angle (90° straight up).
4. Select and mark, with a felt tip marker, a blade tooth having a "right set".
5. Place the combination square base (1) into the right side miter gauge groove (2). (FIG. Q)
6. Adjust the rule so it touches the front marked tooth and lock the ruler so it holds its position in the square assembly.
7. Rotate the blade bringing the marked tooth to the rear and about 1/2 inch above the table.
8. Carefully slide the combination square to the rear until the ruler touches the marked tooth.
9. If the ruler touches the marked tooth at the front and rear positions, no adjustment is needed at this time. If not, perform adjustment procedure described in next section.

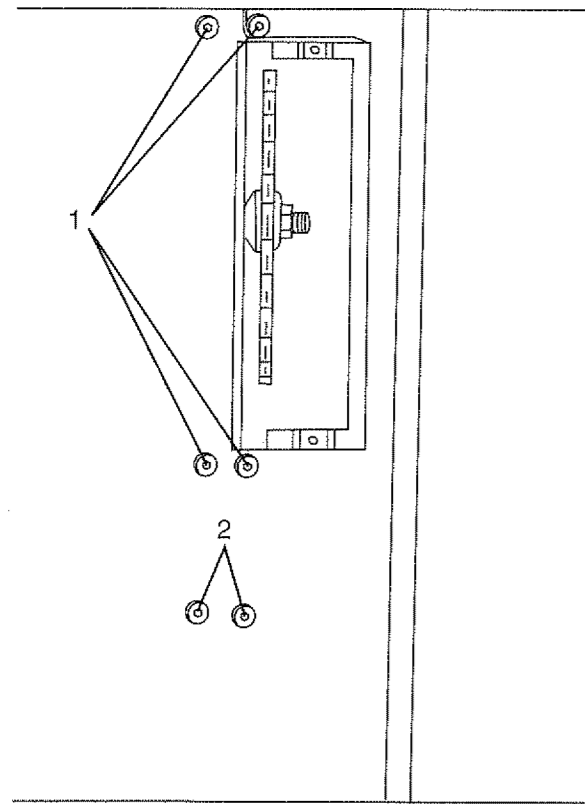
Fig. Q



Additional blade adjustments (FIG. R)

1. If the front and rear measurements are not the same, remove the combination square and loosen the four adjusting screws (1) on the top of the table about a half turn.
2. With a folded piece of cardboard covering the blade to protect your hands, move the blade carefully to the left or right as much as needed to align the blade correctly.
3. Tighten the four screws (1) and remeasure, as described in steps 4 to 9 in the prior section.
4. If sufficient adjustment cannot be made by the four adjusting screws (1), then also loosen the two adjusting screws (2). Loosen these two screws only if necessary.
5. Recheck blade clearance making sure that the blade does not hit the table insert or other parts when at the 90° and 45° settings.
6. Tighten all screws.

Fig. R



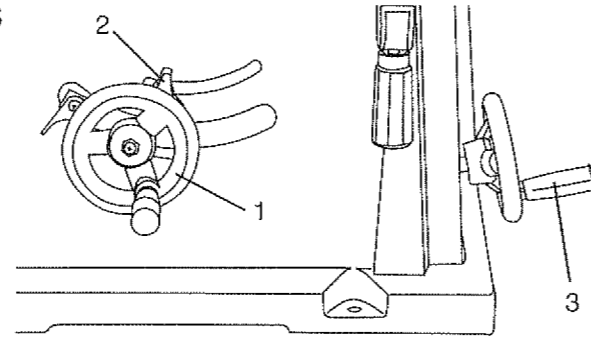
OPERATION

BASIC SAW OPERATIONS

RAISING THE BLADE (FIG. S)

To raise or lower the blade, turn the blade elevation handwheel (1) to the desired blade height, and then tighten lock handle (2) to maintain the desired blade angle.

Fig. S



TILTING THE BLADE (FIG. S)

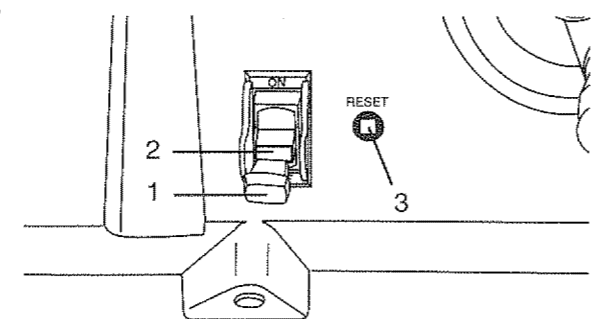
To tilt the saw blade for bevel cutting, loosen the lock knob (2) and turn the tilting handwheel (3). Tighten the lock knob (2) to secure.

ON / OFF SWITCH (FIG. T)

The ON / OFF switch has a removable key. With the key removed from the switch, unauthorized and hazardous use by children and others is minimized.

1. To turn the saw ON, insert key (1) into the slot in the switch (2). Move the switch upward to the ON position.
2. To turn the saw OFF, move the switch downward.
3. To lock the switch in the OFF position, grasp the end (or yellow part) of the switch toggle (1), and pull it out.
4. With the switch key removed, the switch will not operate.
5. If the switch key is removed while the saw is running, it can be turned OFF but cannot be restarted without inserting the switch key (1).

Fig. T



OVERLOAD PROTECTION (FIG. T)

This saw has a reset overload relay button (3) that will restart the motor after it shuts off due to overloading or low voltage. If the motor stops during operation, turn the ON / OFF switch to the OFF position. Unplug the saw from its power source. Wait about five minutes for the motor to cool down. Push in on the reset button (3) and turn the switch to the ON position.

▲ WARNING

To avoid injury, the ON/OFF switch should be in the OFF position and the plug removed from the power source while the motor cool down takes place, to prevent accidental starting when the reset button is pushed. Overheating may be caused by misaligned parts or dull blade. Inspect your saw for proper setup before using it again.

CUTTING OPERATIONS

There are two basic types of cuts: ripping and crosscutting. Ripping is cutting along the length and the grain of the workpiece. Crosscutting is cutting either across the width or across the grain of the workpiece. Neither ripping nor crosscutting may be done safely freehand. Ripping requires the use of the rip fence, and crosscutting requires the miter gauge.

▲ WARNING

Before you use the saw each and every time, check the following:

1. Blade is tight on the arbor.
2. Bevel angle lock knob is tight.
3. If ripping, fence knob is tight and fence is parallel to the miter gauge grooves.
4. Blade guard is in place and working properly.
5. You are wearing safety glasses.

The failure to adhere to these common safety rules, and those printed in the front of this manual, can greatly increase the likelihood of injury.

RIPPING (FIG. U, V)

▲ WARNING

To prevent serious injury:

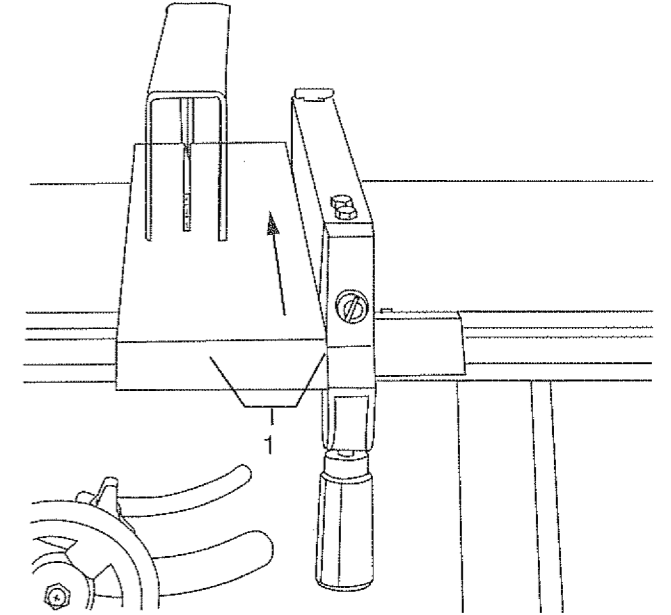
- Do not allow familiarity gained from the frequent use of your table saw to cause careless mistakes. Remember that even a careless fraction of a second is enough to cause a severe injury.
- Keep both hands away from the blade and path of the blade.
- The workpiece must have a straight edge against the fence and must not be warped, twisted, or bowed.

1. Remove the miter gauge. Secure the rip fence to the table.
2. Raise the blade so it is about 1/8" higher than the top of the workpiece.
3. Place the workpiece flat on the table and against the fence. Keep the workpiece about 1" away from the blade.
4. Turn the saw ON and wait for the blade to come up to speed.
5. Slowly feed the workpiece into the blade by pushing forward only on the workpiece section (1) that will pass between the blade and the fence. (FIG. U)

▲ WARNING

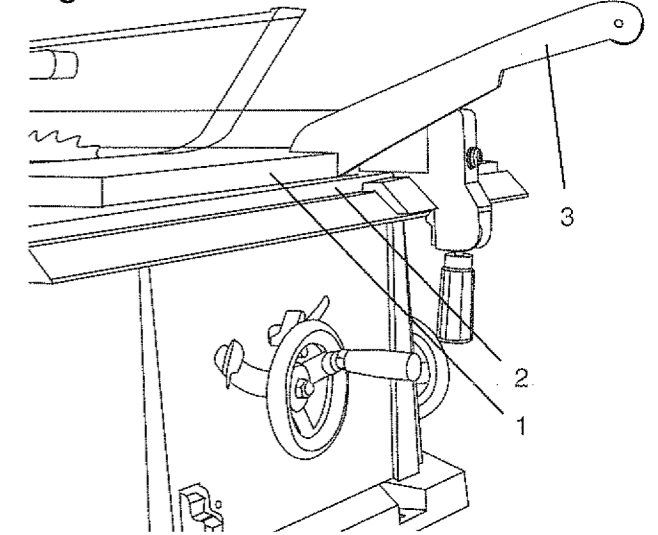
AVOID KICKBACK by pushing forward only on that section of the workpiece that will pass between the blade and the fence.

Fig. U



6. Keep your thumbs off the table top. When both of your thumbs touch the front edge of the table (2), finish the cut with a push stick. Make a push stick using the pattern on page 29.
7. The push stick (3) should always be used when the ripped workpiece is 2" or narrower (1). (FIG. V)
8. Continue pushing the workpiece with the push stick (3) until it passes the blade guard and clears the rear of the table.
9. Never pull the workpiece back when the blade is turning. Turn the switch OFF. When the blade completely stops raise the anti-kickback pawls on each side of the splitter and slide the workpiece out.

Fig. V



BEVEL RIPPING

This cut is the same as ripping except the blade bevel angle is set to an angle other than 0°.

⚠ WARNING

Cut only with the workpiece and the fence on the right side of the blade.

RIPPING SMALL PIECES

⚠ WARNING

Avoid injury from blade contact. Never make through-saw cuts narrower than 1/2" wide.

1. It is unsafe to rip small pieces. Instead, rip a larger piece to obtain the size of the desired piece.
2. When a small width is to be ripped and your hand cannot be safely put between the blade and the rip fence, use one or more push sticks to move the workpiece.

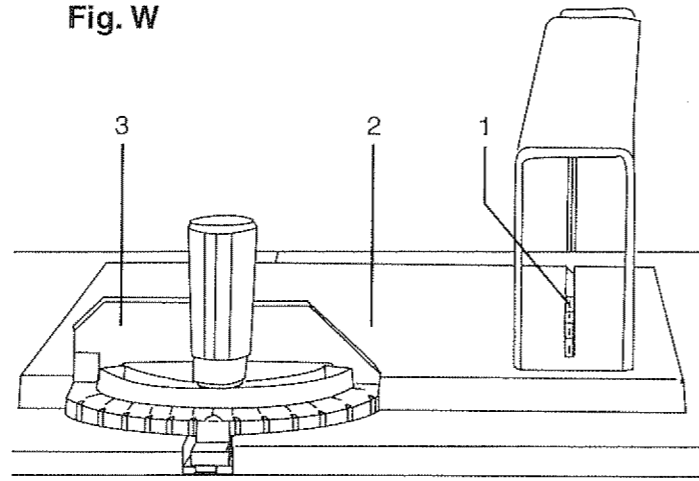
CROSSCUTTING (FIG. W)

⚠ WARNING

To prevent serious injury:

- Do not allow familiarity gained from the frequent use of your table saw to cause careless mistakes. Remember that even a careless fraction of a second is enough to cause a severe injury.
 - Keep both hands away from the blade and path of the blade.
1. Remove the rip fence and place the miter gauge in the left side groove.
 2. Adjust the blade height so it is 1/8" higher than the top of the workpiece.
 3. Hold the workpiece firmly against the miter gauge with the blade path in line with the desired cut location. Move the workpiece to one inch distance from the blade.
 4. Start the saw and wait for the blade (1) to come up to full speed.
 5. Keep the workpiece (2) against the face of the miter gauge (3) and flat against the face of the gauge and flat against the table. Then slowly push the workpiece through the blade (FIG. W).
 6. Do not try to pull the workpiece back with the blade turning. Turn the switch OFF, and carefully slide the workpiece out when the blade is completely stopped.

Fig. W

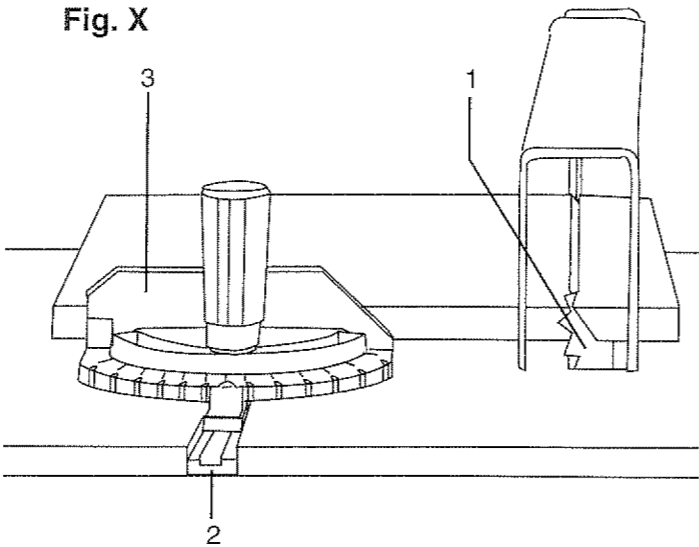


BEVEL CROSSCUTTING (FIG. X)

This cutting operation is the same as crosscutting except the blade is at bevel angle other than 0°.

1. Adjust the blade (1) to the desired angle, and tighten the blade bevel lock knob.
2. Always work to the left side of the blade. The miter gauge (3) must be in the left side groove (2). It cannot be used in the right side groove unless the miter angle is very sharp, as it will interfere with the blade guard.

Fig. X

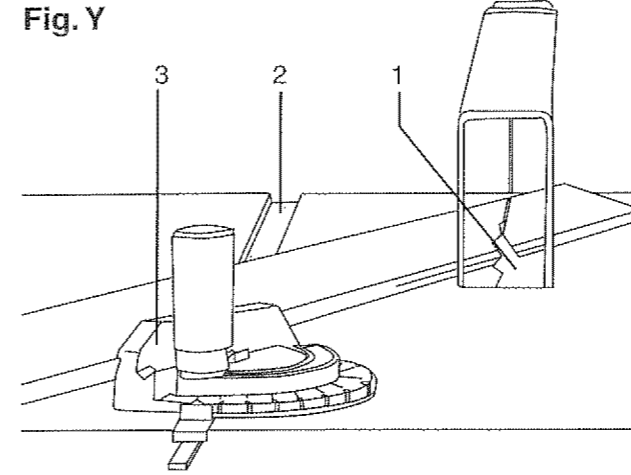


COMPOUND MITER CROSSCUTTING (FIG. Y)

This sawing operation combines a miter angle with a bevel angle.

1. Set the miter gauge (3) to the desired angle. Use only the left side groove (2).
2. Set the blade (1) bevel to the desired angle.
3. Carefully push the miter gauge to begin the cutting operation.

Fig. Y

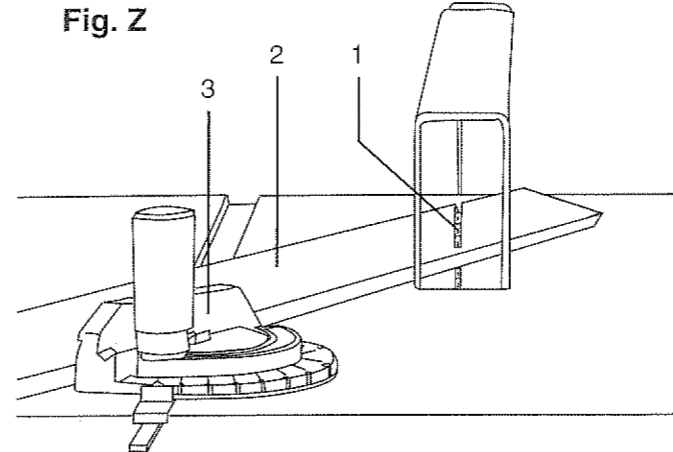


MITERING (FIG. Z)

This sawing operation is the same as crosscutting except the miter gauge is locked at an angle other than 90°.

1. Hold the workpiece (2) firmly against the miter gauge (3).
2. Feed the workpiece slowly into the blade (1) to prevent the workpiece from moving.

Fig. Z

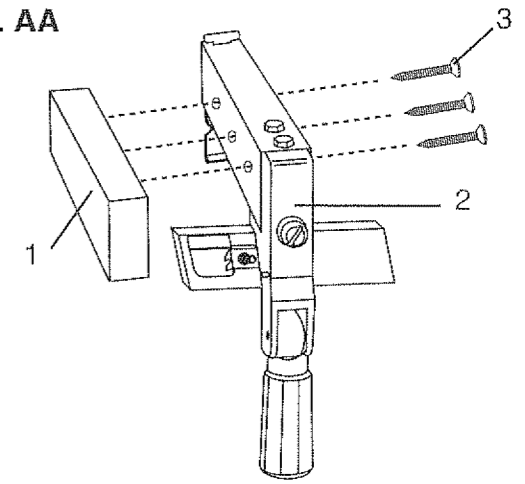


USING WOOD FACING ON THE RIP FENCE (FIG. AA)

When performing some special cutting operations, add a wood facing (1) to either side of the rip fence (2):

1. Use a smooth straight 3/4" thick wood board (1) that is as long as the rip fence.
2. Attach the wood facing to the fence with wood screws (3) through the holes in the fence. A wood fence should be used when ripping material such as thin paneling to prevent the material from catching between the bottom of the fence and the table.

Fig. AA



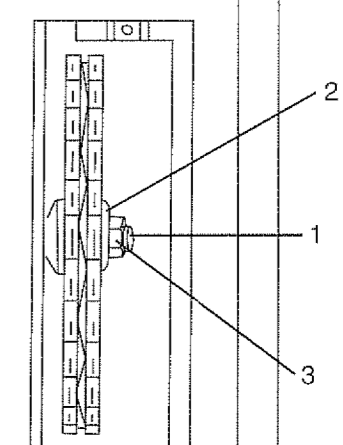
DADO CUTS (FIG. BB)

1. The dado table insert is included with this saw. Remove saw blade, blade guard, installed dado, and dado table insert.
2. Instructions for operating the dado are packed with the separately purchased dado set.
3. The arbor (1) on this saw restricts the maximum width of the cut to 1/2".
4. It is not necessary to install the outside flange (2) before screwing on the arbor nut (3). Make sure that the arbor nut (3) is tight, and that at least one thread of the arbor sticks out past the nut.
5. Use only the 6" dado set and keep the width 1/2" or less. It will be necessary to remove the blade guard and splitter when using dado. Use caution when dado is operating.
6. Use only the correct number of round outside blades and inside chippers as shown in the dado set's instruction manual. Blade or chipper must not exceed 1/2".
7. Check saw to ensure that the dado will not strike the housing, insert, or motor when in operation.

⚠ WARNING

For your own safety, always replace the blade, blade guard assembly, and blade insert when you are finished with the dado operation.

Fig. BB



MAINTENANCE

MAINTAINING YOUR TABLE SAW

GENERAL MAINTENANCE

▲ WARNING

For your own safety, turn the switch OFF and remove the switch key. Remove the plug from the power source outlet before maintaining or lubricating your saw.

1. Clean out all sawdust that has accumulated inside the saw cabinet and the motor.
2. Polish the saw table with an automotive wax to keep it clean and to make it easier to slide the workpiece.
3. Clean cutting blades with pitch and gum remover.
4. A worn, cut, or damaged power cord should be replaced immediately.

▲ WARNING

All electrical or mechanical repairs should be attempted only by a trained repair technician. Contact the nearest Sears Service Center for service. Use only identical replacement parts. Any other parts may create a hazard.

5. Use liquid dish washing detergent and water to clean all plastic parts.

NOTE: Certain cleaning chemicals can damage plastic parts.

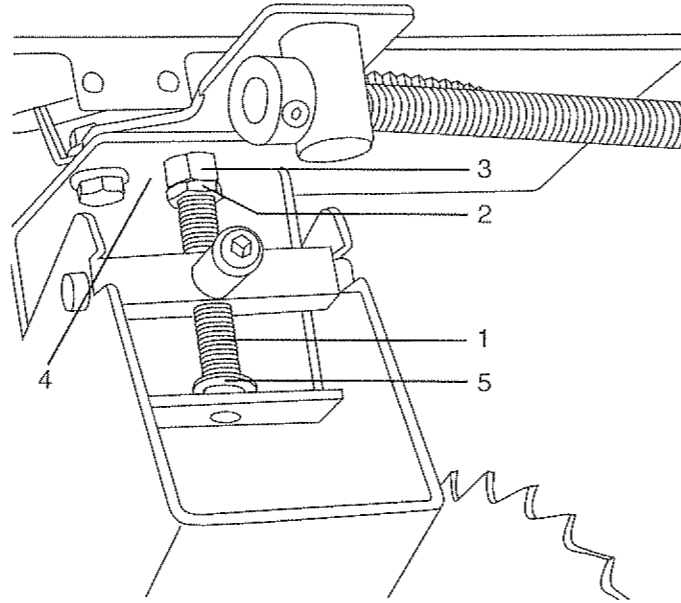
6. Avoid use of the following cleaning chemicals or solvents: gasoline, carbon tetrachloride, chlorinated solvents, ammonia and household detergents containing ammonia.

BLADE RAISING AND TILTING MECHANISM (FIG. CC)

After each five hours of operation, the blade raising mechanism and tilting mechanism should be checked for looseness, binding, or other abnormalities. With the saw disconnected from the power source, turn the saw upside down and alternately pull upward and downward on the motor unit. Observe any movement of the motor mounting mechanism. Looseness or play in the blade raising screw (1) should be adjusted as follows:

1. Using a wrench, loosen nut (2).
2. Adjust nut (3) until it is finger-tight against the bracket (4), then back off the nut 1/6 turn.
3. Tighten nut (2) with the wrench, while holding the nut (3) in place. Maximum allowable play of screw rod (1) is 4 mm.

Fig. CC



Place a small amount of dry lubricant such as graphite or silicon on screw rod (1) at the thrust washer (5). Do not oil the threads of the screw rods. The screw rod must be kept clean and free of sawdust, gum, pitch, and other contaminants for smooth operation.

If excessive looseness is observed in any other part of the blade raising mechanism or tilting mechanism, take the complete unit to a Sears Service Center.

LUBRICATION

All motor bearings are permanently lubricated at the factory and require no additional lubrication. On all mechanical parts of your table saw where a pivot or threaded rod are present, lubricate using graphite or silicone. These dry lubricants will not hold sawdust as would oil or grease.

TROUBLESHOOTING

TROUBLESHOOTING GUIDE

▲ WARNING

To avoid injury from an accidental start, turn the switch OFF and always remove the plug from the power source before making any adjustments.

- Consult your local Sears Service Center if for any reason the motor will not run.

SYMPTOM	POSSIBLE CAUSES	CORRECTIVE ACTION
Saw will not start.	<ol style="list-style-type: none"> 1. Saw not plugged in. 2. Fuse blown or circuit breaker tripped. 3. Cord damaged. 	<ol style="list-style-type: none"> 1. Plug in saw. 2. Replace fuse or reset circuit breaker. 3. Have cord replaced by a Sears Service Center.
Does not make accurate 45° and 90° rip cuts.	<ol style="list-style-type: none"> 1. Positive stop not adjusted correctly. 2. Blade tilt pointer not set accurately. 	<ol style="list-style-type: none"> 1. Check blade with square and adjust positive stop. 2. Check blade with square and adjust pointer to zero.
Material pinches blade when ripping.	<ol style="list-style-type: none"> 1. Rip fence not aligned with blade. 2. Warped wood, edge against fence is not straight. 	<ol style="list-style-type: none"> 1. Check and adjust rip fence. 2. Select another piece of wood.
Material binds on splitter.	<ol style="list-style-type: none"> 1. Splitter not aligned correctly with blade. 	<ol style="list-style-type: none"> 1. Check and align splitter with blade.
Saw makes unsatisfactory cuts.	<ol style="list-style-type: none"> 1. Dull blade. 2. Blade mounted backwards. 3. Gum or pitch on blade. 4. Incorrect blade for work being done. 5. Gum or pitch on table causing erratic feed. 	<ol style="list-style-type: none"> 1. Replace blade. 2. Turn blade around. 3. Remove blade and clean with turpentine and coarse steel wool. 4. Change the blade. 5. Clean table with turpentine and steel wool.
Material kicked back from blade.	<ol style="list-style-type: none"> 1. Rip fence out of alignment. 2. Splitter not aligned with blade. 3. Feeding stock without rip fence. 4. Splitter not in place. 5. Dull blade. 6. The operator letting go of material before it is past saw blade. 7. Miter angle lock knob is not tight. 	<ol style="list-style-type: none"> 1. Align rip fence with miter gauge slot. 2. Align splitter with blade. 3. Install and use rip fence. 4. Install and use splitter (with guard). 5. Replace blade. 6. Push material all the way past saw blade before releasing work. 7. Tighten knob.
Blade does not raise or tilt freely.	<ol style="list-style-type: none"> 1. Sawdust and dirt in raising and tilting mechanisms. 	<ol style="list-style-type: none"> 1. Brush or blow out loose dust and dirt.
Blade does not come up to speed.	<ol style="list-style-type: none"> 1. Extension cord too light or too long. 2. Low house voltage. 	<ol style="list-style-type: none"> 1. Replace with adequate size cord. 2. Contact your electric company.
Machine vibrates excessively.	<ol style="list-style-type: none"> 1. Saw not mounted securely to workbench. 2. Bench on uneven floor. 3. Damaged saw blade. 	<ol style="list-style-type: none"> 1. Tighten all mounting hardware. 2. Reposition on flat level surface. Fasten to floor if necessary. 3. Replace blade.
Does not make accurate 45° and 90° cross cuts.	<ol style="list-style-type: none"> 1. Miter gauge out of adjustment. 	<ol style="list-style-type: none"> 1. Adjust miter gauge.