

Airpura

AIR PURIFIERS

For your better health

600W Series

Whole House Air Purifier

Unit Set Up

Attach the top

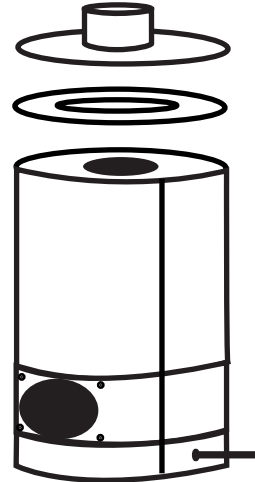
Place the white felt gasket on top of the filters
Place the top and align the holes in the top with the holes on the 4 brackets without pushing the top completely down all around
Place one screw with its washer and screw in partially
Fit the top onto the body all around
Screw in the 3 remaining screws
Tighten fully the first screw

Attach the elbow

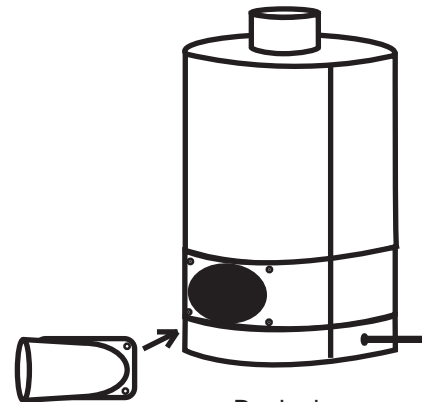
Place the elbow over the oval opening on the unit so that the elbow is towards the left when looking from the back of the unit.
(The clean air flows out in a clockwise direction)
Attach the elbow with the 4 screws provided

Attach standard 5" pipes

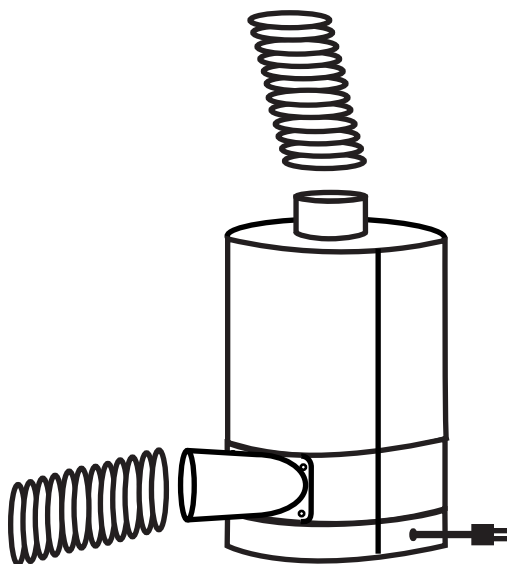
Attach standard 5" pipes from the house ventilation system to create a bypass to the air purification system



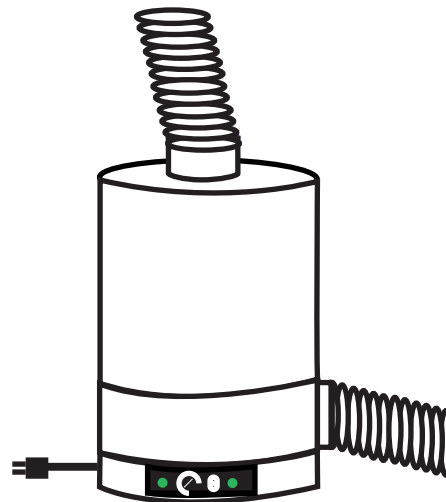
Back view



Back view



Back view



Front view

See over for connection options

Attach the top

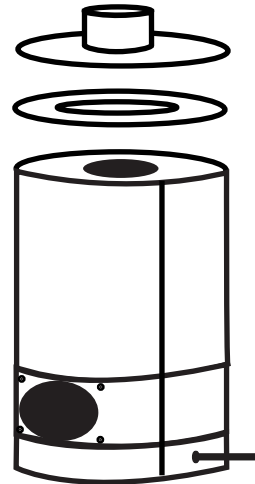
Place the white felt gasket on top of the filters
 Place the top and align the holes in the top with the holes on the 4 brackets without pushing the top completely down all around
 Place one screw with its washer and screw in partially
 Fit the top onto the body all around
 Screw in the 3 remaining screws
 Tighten fully the first screw

Attach the elbow

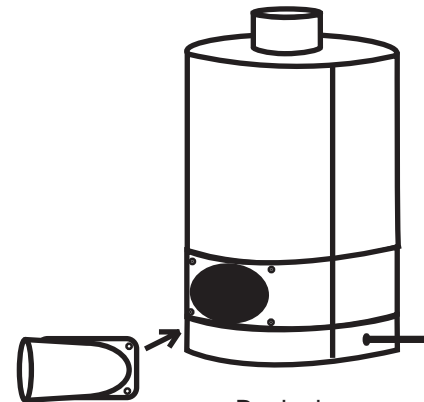
Place the elbow over the oval opening on the unit so that the elbow is towards the left when looking from the back of the unit.
 (The clean air flows out in a clockwise direction)
 Attach the elbow with the 4 screws provided

Attach standard 5" pipes

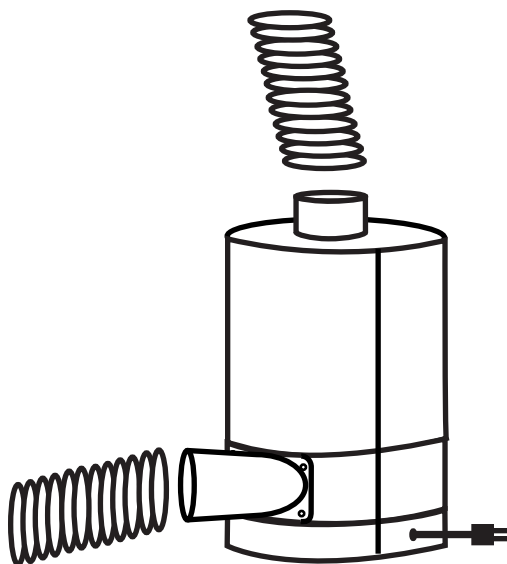
Attach standard 5" pipes from the house ventilation system to create a bypass to the air purification system



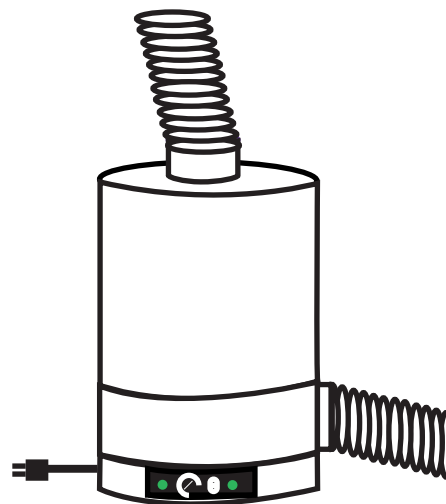
Back view



Back view



Back view



Front view

Airpura AIR PURIFIERS

For your better health

By-pass installation of the Airpura 600-W central air purifier

