



CATALOG OF REPLACEMENT PARTS

MOBILE FILTER



MF-1

ML-136873



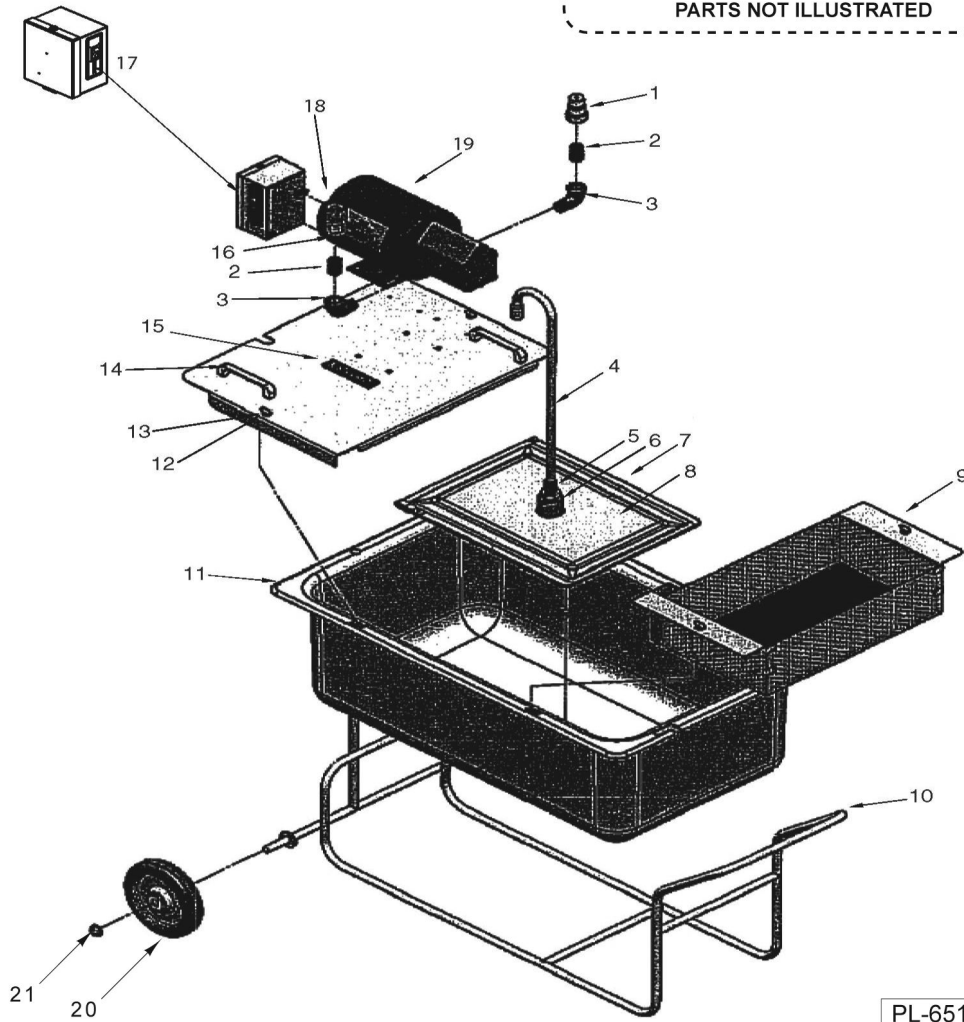
Table of Contents

5 FILTER COMPONENTS



- 22 00-499084-00002 Knob - Port Suction
- 23 00-958235-00001 Receptacle - Power
- 24 00-422281-00008 Hose - Discard
- 25 00-499086-000G1 Filter - Kleenscreen Plus
- 26 00-499085-00002 Insert - Fabric Envelope
- 27 00-499089-00001 Clip - Filter

PARTS NOT ILLUSTRATED



PL-65121

FILTER COMPONENTS



FILTER COMPONENTS

ILLUS. PL-65121	PART NO.	NAME OF PART	AMT.
1	00-418781-00001	Quick Disconnect Male.....	1
2	FP-035-91	Pipe 1/2 x 1-1/8 TBE Nipple.....	2
3	FP-013-17	Elbow - Street 1/2 x 90 Deg.....	2
4	00-956901-000G9	Tube, "S" Suction Includes Item 5, 6 and Knob listed below.....	1
5	NS-017-49	Jam Nut 3/4-16 Hex.....	1
6	00-499083-00002	Coupling - Suction.....	1
*8	00-499085-00001	Insert - Filter Screen.....	1
*7	00-499087-00001	Screen - Fine Mesh Filter (Metal).....	1
9	00-426606-000G8	Basket, Scrap.....	1
10	00-956918-000G2	Frame, Mobile Filter.....	1
11	00-497374-000G4	Pan, Filter.....	1
12	00-958551-00001	Wing Screw.....	4
13	00-958551-00002	Retainer.....	4
14	00-416936-00002	Handle (Vat Cover Assy.) (Accessory).....	2
15	00-417700-00002	Nameplate (6 In.).....	1
16	00-426567-00002	O-Ring (Viton).....	2
17	00-411496-00B10	Switch - Rocker S.P.S.T.....	1
18	00-426567-00004	Suction Receptacle.....	1
19	00-417792-00008	Pump Motor Assy. (115/230 V., 60 Hz.) (8 G.P.M.).....	1
20	00-956922-00001	Wheel.....	2
21	00-956922-00002	Nut - Axel.....	2
22	00-499084-00002	Knob - Port Suction.....	1
23	00-958235-00001	Receptacle, Power.....	1
24	00-422281-00008	Hose - Discard (4 Ft.).....	1
25	00-499086-000G1	Filter - Kleenscreen Plus (3 Pack).....	1
26	00-499085-00002	Insert - Fabric Envelope (11 x 15 In.).....	1
27	00-499089-00001	Clip - Filter.....	1

* Units with Retrofit Kit (Items 7 & 8 not used)

