

Sears

*owners
manual*

**MODEL NO.
113.242700**

SAW ONLY

113.242720

SAW WITH LEGS AND
TWO TABLE EXTENSIONS

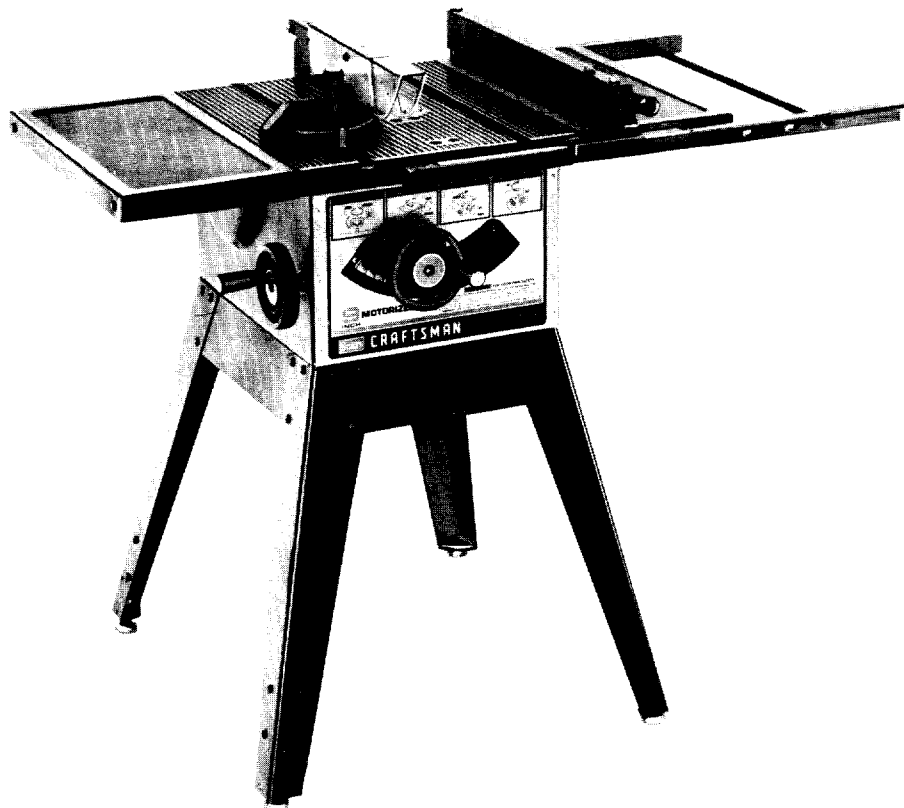
Serial
Number _____

Model and serial
number may be found
at the right-hand side
of the base.

You should record both
model and serial number
in a safe place for
future use.

CAUTION:

Read **GENERAL**
and **ADDITIONAL**
SAFETY
INSTRUCTIONS
carefully



Sears

CRAFTSMAN.

**9 INCH MOTORIZED
TABLE SAW**

- *assembly*
- *operating*
- *repair parts*

Sold by SEARS, ROEBUCK AND CO., Chicago, IL. 60684 U.S.A.

FULL ONE YEAR WARRANTY ON CRAFTSMAN TABLE SAWS

If within one year from the date of purchase, this Craftsman Table Saw fails due to a defect in material or workmanship, Sears will repair it, free of charge.

WARRANTY SERVICE IS AVAILABLE BY SIMPLY CONTACTING THE NEAREST SEARS STORE OR SERVICE CENTER THROUGHOUT THE UNITED STATES.

This warranty gives you specific legal rights, and you may also have other rights which vary from state to state.

SEARS, ROEBUCK AND CO., Sears Tower, BSC 41-3, Chicago, IL 60684

general safety instructions for power tools

- 1. KNOW YOUR POWER TOOL**

Read and understand the owner's manual and labels affixed to the tool. Learn its application and limitations as well as the specific potential hazards peculiar to this tool.
- 2. GROUND ALL TOOLS**

This tool is equipped with an approved 3-conductor cord and a 3-prong grounding type plug to fit the proper grounding type receptacle. The green conductor in the cord is the grounding wire. Never connect the green wire to a live terminal.
- 3. KEEP GUARDS IN PLACE**

in working order, and in proper adjustment and alignment.
- 4. REMOVE ADJUSTING KEYS AND WRENCHES**

Form habit of checking to see that keys and adjusting wrenches are removed from tool before turning it on.
- 5. KEEP WORK AREA CLEAN**

Cluttered areas and benches invite accidents. Floor must not be slippery due to wax or sawdust.
- 6. AVOID DANGEROUS ENVIRONMENT**

Don't use power tools in damp or wet locations or expose them to rain. Keep work area well lighted. Provide adequate surrounding work space.
- 7. KEEP CHILDREN AWAY**

All visitors should be kept a safe distance from work area.
- 8. MAKE WORKSHOP KID-PROOF**

— with padlocks, master switches, or by removing starter keys.
- 9. DON'T FORCE TOOL**

It will do the job better and safer at the rate for which it was designed.
- 10. USE RIGHT TOOL**

Don't force tool or attachment to do a job it was not designed for.
- 11. WEAR PROPER APPAREL**

Do not wear loose clothing, gloves, neckties or jewelry (rings, wrist watches) to get caught in moving parts. Nonslip footwear is recommended. Wear protective hair covering to contain long hair. Roll long sleeves above the elbow.
- 12. USE SAFETY GOGGLES (Head Protection)**

Wear Safety goggles (must comply with ANSI Z87.1) at all times. Everyday eyeglasses only have impact resistant lenses, they are **NOT** safety glasses. Also, use face or dust mask if cutting operation is dusty, and ear protectors (plugs or muffs) during extended periods of operation.
- 13. SECURE WORK**

Use clamps or a vise to hold work when practical. It's safer than using your hand, frees both hands to operate tool.
- 14. DON'T OVERREACH**

Keep proper footing and balance at all times.
- 15. MAINTAIN TOOLS WITH CARE**

Keep tools sharp and clean for best and safest performance. Follow instructions for lubricating and changing accessories.
- 16. DISCONNECT TOOLS**

before servicing; when changing accessories such as blades, bits, cutters, etc.
- 17. AVOID ACCIDENTAL STARTING**

Make sure switch is in "OFF" position before plugging in.
- 18. USE RECOMMENDED ACCESSORIES**

Consult the owner's manual for recommended accessories. Follow the instructions that accompany the accessories. The use of improper accessories may cause hazards.
- 19. NEVER STAND ON TOOL**

Serious injury could occur if the tool is tipped or if the cutting tool is accidentally contacted.

Do not store materials above or near the tool such that it is necessary to stand on the tool to reach them.
- 20. CHECK DAMAGED PARTS**

Before further use of the tool, a guard or other part that is damaged should be carefully checked to ensure that it will operate properly and perform its intended function. Check for alignment of moving parts, binding of moving parts, breakage of parts, mounting, and any other conditions that may affect its operation. A guard or other part that is damaged should be properly repaired or replaced.
- 21. DIRECTION OF FEED**

Feed work into a blade or cutter against the direction of rotation of the blade or cutter only.
- 22. NEVER LEAVE TOOL RUNNING UNATTENDED**

Turn power off. Don't leave tool until it comes to a complete stop.

ADDITIONAL SAFETY INSTRUCTIONS FOR TABLE SAWS

WARNING: FOR YOUR OWN SAFETY, DO NOT OPERATE YOUR SAW UNTIL IT IS COMPLETELY ASSEMBLED AND INSTALLED ACCORDING TO THE INSTRUCTIONS . . . AND UNTIL YOU HAVE READ AND UNDERSTAND THE FOLLOWING.

1. **GENERAL SAFETY INSTRUCTIONS FOR POWER TOOLS . . . SEE PAGE 2**
2. **GETTING TO KNOW YOUR SAW . . . SEE PAGE 15**
3. **BASIC SAW OPERATION . . . SEE PAGE 17**
4. **ADJUSTMENTS . . . SEE PAGE 24**
5. **MAINTENANCE . . . SEE PAGE 27**
6. **STABILITY OF SAW**

If there is any tendency for the saw to tip over or move during certain cutting operations such as cutting extremely large heavy panels or long heavy boards, the saw should be bolted down.

If you attach any kind of table extensions over 24" wide to either end of the saw, make sure you either bolt the saw to the bench or floor as appropriate, or support the outer end of the extension from the bench or floor, as appropriate.

7. LOCATION

The saw should be positioned so neither the operator nor a casual observer is forced to stand in line with the saw blade.

8. KICKBACKS

A "KICKBACK" occurs during a rip-type operation when a part or all of the workpiece is thrown back violently toward the operator.

Keep your face and body to one side of the sawblade, out of line with a possible "Kickback."

Kickbacks — and possible injury from them — can usually be avoided by:

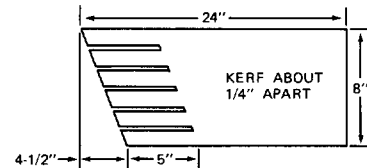
- A. Maintaining the rip fence parallel to the sawblade.
- B. Keeping the sawblade sharp. Replacing antikickback pawls when points become dull.
- C. Keeping sawblade guard, spreader, and antikickback pawls in place and operating properly. The spreader must be in alignment with the sawblade and the pawls must stop a kickback once it has started. Check their action before ripping.
- D. NOT ripping work that is twisted or warped or does not have a straight edge to guide along the rip fence.
- E. NOT releasing work until you have pushed it all the way past the sawblade.
- F. Using a "PUSH STICK" (See Page 18) for ripping widths of 2 to 6 in., and an auxiliary fence and push block for ripping widths narrower than 2 in. (See "Basic Saw Operation Using The Rip Fence" section.)
- G. NOT confining the cut-off piece when ripping or crosscutting.
- H. When ripping apply the feed force to the section of the workpiece between the saw blade and the rip fence.

9. PROTECTION: EYES, HANDS, FACE, EARS, BODY

- A. If any part of your saw is malfunctioning, has been damaged or broken . . . such as the motor switch, or other operating control, a safety device or the power cord . . . cease operating immediately until the particular part is properly repaired or replaced.
- B. Wear safety goggles that comply with ANSI Z87.1, and a face shield if operation is dusty. Wear ear plugs or muffs during extended periods of operation.
- C. Small loose pieces of wood or other objects that contact the rear of the revolving blade can be

thrown back at the operator at excessive speed. This can usually be avoided by keeping the guard and spreader in place for all "THRU-SAWING" operations (sawing entirely thru the work— AND by removing all loose pieces from the table with a long stick of wood IMMEDIATELY after they are cut off.

- D. Use extra caution when the guard assembly is removed for resawing, dadoing, rabbeting, or molding — replace the guard as soon as that operation is completed.
- E. For rip or rip-type cuts, the following end of a workpiece to which a push stick or push board is applied must be square (perpendicular to the fence) in order that feed pressure applied to the workpiece by the push stick or block does not cause the workpiece to come away from the fence, and possibly cause a kickback.
- F. During rip and rip type cuts, the workpiece must be held down on the table and against the fence with a push stick, push block, or featherboards. A featherboard is made of solid lumber per sketch.



- G. NEVER turn the saw "ON" before clearing the table of all tools, wood scraps, etc., except the workpiece and related feed or support devices for the operation planned.
- H. NEVER place your face or body in line with the cutting tool.
 - I. NEVER place your fingers or hands in the path of the sawblade or other cutting tool.
 - J. NEVER reach in back of the cutting tool with either hand to hold down or support the workpiece, remove wood scraps, or for any other reason. Avoid awkward operations and hand positions where a sudden slip could cause fingers or hand to move into a sawblade or other cutting tool.
 - K. DO NOT perform layout, assembly, or setup work on the table while the cutting tool is rotating.
 - L. DO NOT perform any operation "FREEHAND" — always use either the rip fence or the miter gauge to position and guide the work.
- M. NEVER use the rip fence when crosscutting or the miter gauge when ripping. DO NOT use the rip fence as a length stop.

Never hold onto or touch the "free end" of the workpiece or a "free piece" that is cut off, while power is "ON" and/or the sawblade is rotating.
- N. Shut "OFF" the saw and disconnect the power cord when removing the table insert, changing the cutting tool, removing or replacing the blade guard, or making adjustments.
- O. Provide adequate support to the rear and sides of the saw table for wider or long workpieces.
- P. Plastic and composition (like hardboard) materials may be cut on your saw. However, since these are usually quite hard and slippery, the antikickback pawls may not stop a kickback.
- Q. If you stall or jam the sawblade in the workpiece, turn saw "OFF", remove the workpiece from the sawblade, and check to see if the sawblade is parallel to the miter gauge grooves and if the spreader is in proper alignment with the sawblade. If ripping at the time, check to see if the rip fence is parallel with the sawblade. Readjust as indicated.

- R. DO NOT remove small pieces of cut-off material that may become trapped inside the blade guard while the saw is running. This could endanger your hands or cause a kickback. Turn saw "OFF" and wait until blade stops.
- S. Use extra care when ripping wood that has a twisted grain or is twisted or bowed — it may rock on the table and/or pinch the sawblade.

10. KNOW YOUR CUTTING TOOLS

- A. Dull, gummy, or improperly sharpened or set cutting tools can cause material to stick, jam, stall the saw, or kickback at the operator. Minimize potential injury by proper cutting tool and machine maintenance. NEVER ATTEMPT TO FREE A STALLED SAWBLADE WITHOUT FIRST TURNING THE SAW OFF.
- B. Never use grinding wheels, abrasive cut-off wheels, friction wheels (metal slitting blades) wire wheels or buffing wheels.

11. USE ONLY ACCESSORIES DESIGNED FOR THIS SAW.

- 12. Crosscutting operations are more conveniently worked and with greater safety if an auxiliary wood facing is attached to the miter gauge using the holes provided. However, the facing must not interfere with the proper functioning of the sawblade guard.
- 13. Make sure the top of the arbor or cutting tool rotates toward you when standing in normal operating position. Also make sure the cutting tool, arbor collars and arbor nut are installed properly. Keep the cutting tool as low as possible for the operation being performed. Keep all guards in place whenever possible.
- 14. Do not use any blade or other cutting tool marked for an operating speed less than 3450 RPM. Never use a cutting tool larger in diameter than the diameter for which the saw was designed. For greatest safety and efficiency when ripping, use the maximum diameter blade for which the saw is designed, since under these conditions the spreader is nearest the blade.
- 15. Adjust table inserts flush with the table top. NEVER Operate the saw unless the proper insert is installed.

- 16. Never feed material into the cutting tool from the rear of the saw. An accident and serious injury could result.

17. THINK SAFETY.

Safety is a combination of operator common sense and alertness at all times when the saw is being used.

18. NOTE AND FOLLOW SAFETY INSTRUCTIONS THAT APPEAR ON THE FRONT OF YOUR SAW.

DANGER
FOR YOUR OWN SAFETY
READ AND UNDERSTAND OWNER'S MANUAL
BEFORE OPERATING MACHINE:

1. WEAR SAFETY GOGGLES PER ANSI Z87.1 AT ALL TIMES
2. USE SAW-BLADE GUARD FOR "THRU-SAWING"
3. KEEP HANDS OUT OF PATH OF SAWBLADE
4. USE A "PUSH-STICK" WHEN REQUIRED
5. KNOW HOW TO AVOID "KICKBACKS"
6. DO NOT PERFORM OPERATIONS "FREEHAND"
7. NEVER REACH AROUND OR OVER SAW BLADE

- 19. **WARNING: DO NOT ALLOW FAMILIARITY (GAINED FROM FREQUENT USE OF YOUR SAW) TO BECOME COMMONPLACE. — ALWAYS REMEMBER THAT A CARELESS FRACTION OF A SECOND IS SUFFICIENT TO INFLICT SEVERE INJURY.**

- 20. **NOTE:** Do not overtighten arbor nut. Use the arbor nut wrench to just "snug" it.



The operation of any power tool can result in foreign objects being thrown into the eyes, which can result in severe eye damage. Always wear safety goggles complying with ANSI Z87.1 (shown on Package) before commencing power tool operation. Safety Goggles are available at Sears retail or catalog stores.

MOTOR SPECIFICATIONS AND ELECTRICAL REQUIREMENTS

MOTOR SPECIFICATIONS

The AC motor used in this saw is a capacitor start, non-reversible type, with the following specifications:

Voltage	120
Amperes	10
Hertz	60
Phase	Single
RPM	3450
Rotation (viewed from Sawblade end)	Counterclockwise

MOTOR SAFETY PROTECTION

- 1. **REPEATED STALLING OF THE SAW BLADE WILL SHORTEN THE LIFE OF THE MOTOR.** Always avoid stalling the blade. If the motor has been abused (repeated stalling) and fails to start (hums), TURN THE SWITCH OFF, ALLOW THE MOTOR TO COOL, THEN RE-START IT.
- 2. **ALWAYS USE SHARP BLADES.** A dull blade requires excessive power and does not produce quality results. **NOTE:** The starting relay is a GRAVITY SENSITIVE TYPE. NEVER TURN THE POWER ON WHILE THE SAW IS UPSIDE DOWN AS THIS WILL DAMAGE THE MOTOR.
- 3. Frequent opening of fuses or circuit breakers may result

if motor is overloaded, or if the motor circuit is fused with a fuse other than those recommended. Do not use a fuse of greater capacity without consulting the power company.

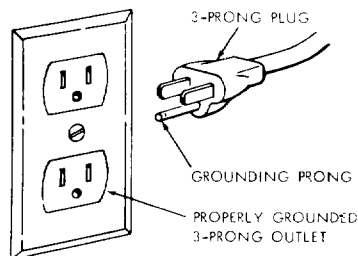
- 4. Although the motor is designed for operation on the voltage and frequency specified on motor nameplate, normal loads will be handled safely on voltages not more than 10% above or below the nameplate voltage. Heavy loads, however, require that voltage at motor terminals be not less than the voltage specified on nameplate.
- 5. Most motor troubles may be traced to loose or incorrect connections, overloading, reduced input voltage (which results when small size wires are used in the supply circuit) or when the supply circuit is extremely long. Always check connection, load and supply circuit when the motor fails to perform satisfactorily. Check wire sizes and lengths with table at end of this section.

CONNECTING TO POWER SOURCE OUTLET

This saw must be grounded while in use to protect the operator from electrical shock. If power cord is worn or cut, or damaged in any way, have it replaced immediately.



If your saw is for use on less than 150 volts it has a plug that looks like below.



Plug power cord into 110-120V properly grounded type outlet protected by a 15-amp. time delay or Circuit-Saver fuse or circuit breaker.

IF YOU ARE NOT SURE THAT YOUR OUTLET IS PROPERLY GROUNDED, HAVE IT CHECKED BY A QUALIFIED ELECTRICIAN.

WARNING: DO NOT PERMIT FINGERS TO TOUCH THE TERMINALS OF PLUG WHEN INSTALLING OR REMOVING THE PLUG TO OR FROM THE OUTLET.

WARNING: IF NOT PROPERLY GROUNDED THIS POWER TOOL CAN INCUR THE POTENTIAL HAZARD OF ELECTRICAL SHOCK, PARTICULARLY WHEN USED IN DAMP LOCATIONS; IN PROXIMITY TO PLUMBING, OR OUT OF DOORS. IF AN ELECTRICAL SHOCK OCCURS THERE IS THE POTENTIAL OF A SECONDARY HAZARD SUCH AS YOUR HANDS CONTACTING THE SAWBLADE.

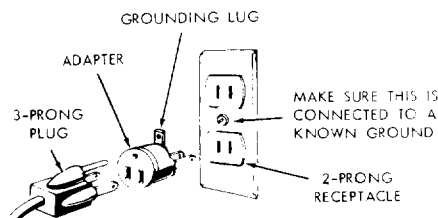
This saw is equipped with a 3-conductor cord and grounding type plug which has a grounding prong, approved by Underwriters' Laboratories and the Canadian Standards Association. The ground conductor has a green lug and is attached to the tool housing at one end and to the ground prong in the attachment plug at the other end.

This plug requires a mating 3-conductor grounded type outlet as shown.

If the outlet you are planning to use for this saw is of the two prong type **DO NOT REMOVE OR ALTER THE GROUNDING PRONG IN ANY MANNER.** Use an adapter as shown and always connect the grounding lug to a known ground.

It is recommended that you have a qualified electrician replace the TWO prong outlet with a properly grounded THREE prong outlet.

An adapter as shown below is available for connecting plugs to 2-prong receptacles. The green grounding lug extending from the adapter must be connected to a permanent ground such as to a properly grounded outlet box.



NOTE: The adapter illustrated is for use only if you already have a properly grounded 2-prong receptacle.

The use of any extension cord will cause some loss of power. To keep this to a minimum and to prevent over-heating and motor burn-out, use the table below to determine the minimum wire size (A.W.G.) extension cord. Use only 3 wire extension cords which have 3 prong grounding type plugs and 3-pole receptacles which will accept the plug on the saw.

Extension Cord Length	Wire Size A.W.G.
Up to 100 Ft.	12
100 - 200 Ft.	10
200 - 400 Ft.	8

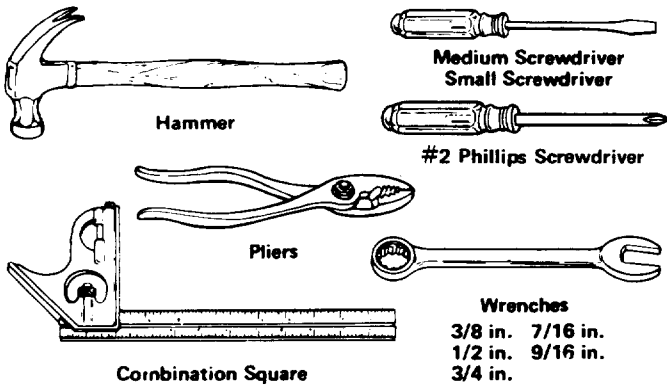
CONTENTS

WARRANTY	2	Removing and Installing Sawblade	17
GENERAL SAFETY INSTRUCTIONS		BASIC SAW OPERATION USING THE MITER GAUGE	17
FOR POWER TOOLS	2	Work Helpers	17
ADDITIONAL SAFETY INSTRUCTIONS		Crosscutting	18
FOR TABLE SAWS	3	Repetitive Cutting	19
MOTOR SPECIFICATIONS AND ELECTRICAL		Miter Cutting	20
REQUIREMENTS	4	Bevel Crosscutting	20
UNPACKING AND CHECKING CONTENTS	6	Compound Miter Cutting	20
Tools Needed	6	BASIC SAW OPERATION USING THE RIP FENCE ..	20
List of Loose Parts	6	Ripping	21
ASSEMBLY	7	Bevel Ripping	21
Installing Elevation and Tilt Handwheels	7	Resawing	22
Checking Table Insert	7	Cutting Panels	22
Checking Blade Squareness to Table	8	Ploughing and Molding	22
Checking Blade Elevation	8	Rabbeting	23
Attaching Table Extensions	8	Dadoing	23
Installing Rip Fence Guide Bars	9	Using Featherboards	23
Assembling Steel Legs	10	ADJUSTMENTS	24
Mounting Saw	10	Miter Gauge	24
Aligning Table Extensions	11	Heeling Adjustment or Parallelism of	
Aligning Rip Fence	11	Sawblade to Miter Gauge Groove	24
Installing Blade Guard	13	Blade Tilt, or Squareness of	
GETTING TO KNOW YOUR SAW	15	Blade to Table	25
On-Off Switch	15	Blade Elevation	26
Reset Button	16	Tilt and Elevation Mechanism	26
Elevation Handwheel	16	MAINTENANCE	27
Tilt Handwheel	16	LUBRICATION	27
Rip Fence	16	RECOMMENDED ACCESSORIES	27
Miter Gauge	16	TROUBLESHOOTING	28
Blade Guard	16	REPAIR PARTS	30
Table Insert	16		

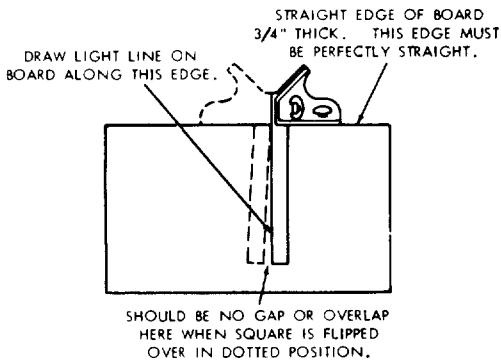


UNPACKING AND CHECKING CONTENTS

TOOLS NEEDED



COMBINATION SQUARE MUST BE TRUE.



Model 113.242700 Motorized Table Saw is shipped complete in one carton but **DOES NOT INCLUDE** Table Extensions and Steel Legs.

Model 113.242720 Motorized Table Saw is shipped complete in one carton but **INCLUDES TWO** Table Extensions and Steel Legs.

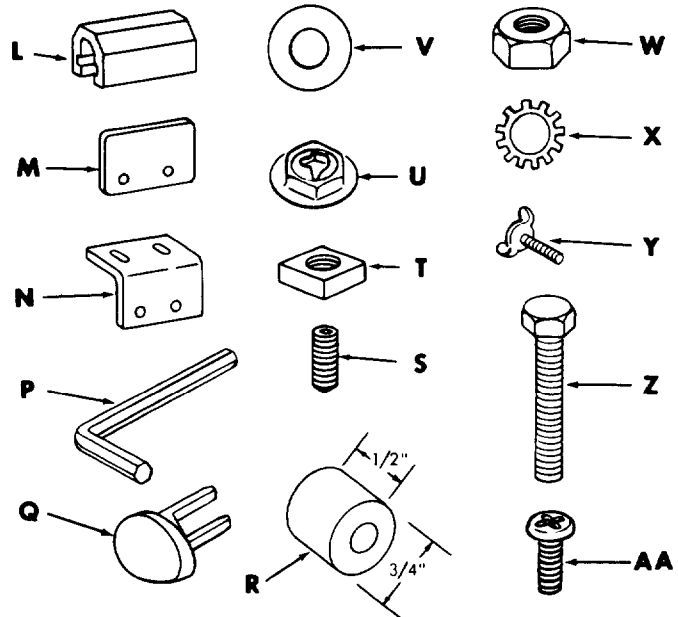
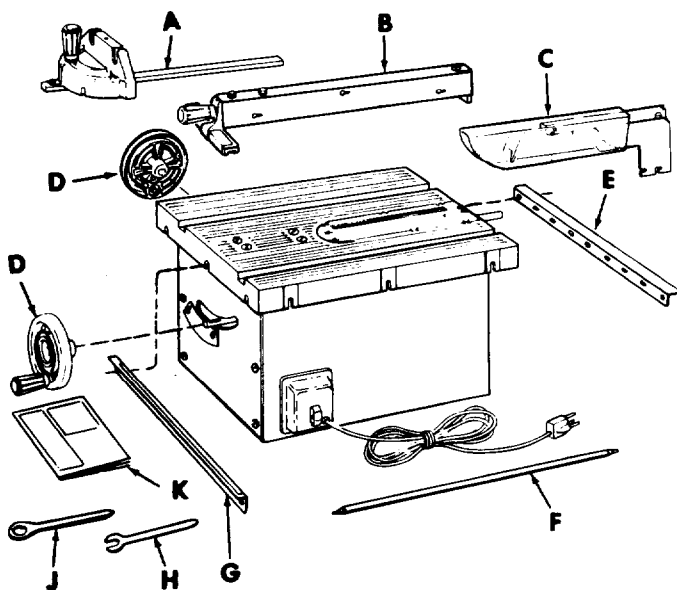
Separate all parts from packing materials and check each one with the illustration and the list of Loose Parts to make certain all items are accounted for, before discarding any packing material.

If any parts are missing, do not attempt to assemble the table saw, plug in the power cord or turn the switch on until the missing parts are obtained and are installed correctly.

WARNING: FOR YOUR OWN SAFETY, NEVER CONNECT PLUG TO POWER SOURCE OUTLET UNTIL ALL ASSEMBLY STEPS ARE COMPLETE, AND YOU HAVE READ AND UNDERSTAND THE SAFETY AND OPERATIONAL INSTRUCTIONS.

LIST OF LOOSE PARTS

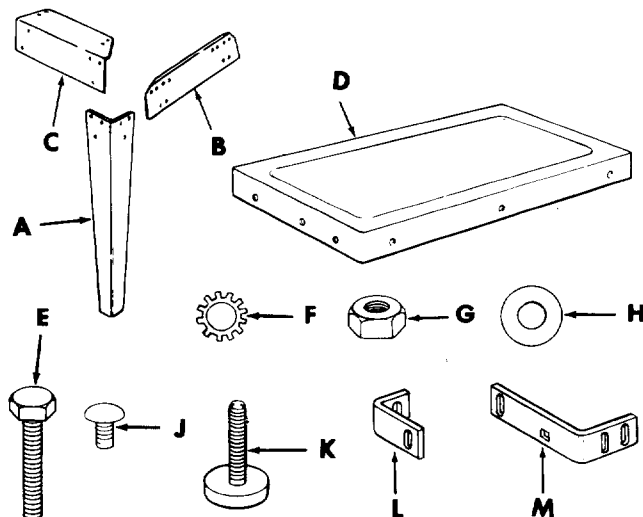
Key No.	Part Name	Qty.
A	Miter Gauge	1
B	Rip Fence	1
C	Blade Guard and Spreader	1
D	Handwheel	2
E	Rip Fence Guide Bar, Rear	1
F	Rip Fence Guide Bar Rod	1
G	Rip Fence Guide Bar with Rip Scale (Front)	1
H	Arbor Wrench	1
J	Arbor Nut Wrench	1
K	Owners Manual	1
Bag of Miscellaneous Small Parts No. 62769		
Consisting of the following:		
L	Spreader Support	1
M	Spreader Clamp	1
N	Spreader Bracket	1
P	Setscrew Wrench, 1/8 in.	1
Q	Setscrew Wrench, 3/16 in.	1
	Switch Key	1
S	Soc. Hd. Set Screw 1/4-20 x 7/8	2
T	Square Nut, 1/4-20	2
X	Lockwasher #10 External Type (approx. dia. of hole 3/16 in.)	2
Y	Wing Screw, 1/4-20 x 1/2 in. long	2
AA	Screw, Pan Hd. 10-32 x 3/4	2
Pkg. of Miscellaneous Small Parts No. 62768		
Consisting of the Following:		
R	Guide Bar Spacer	2
U	Self Threading Nut	2
V	Flatwasher, (dia. of hole 17/64 in.)	4
V	Flatwasher, (dia. of hole 21/64 in.)	4
V	Flatwasher, 17/64 x 5/8 x 1/16	8
W	Hex Nut, 1/4-20 (Approx. dia. of hole 1/4 in.)	6
W	Hex Nut, 5/16-18 (approx. dia. of hole 5/16 in.)	4



X	Lockwasher, 1/4 in. External Type (approx. dia. of hole 1/4 in.)	8
X	Lockwasher, 5/16 in. External Type (approx. dia. of hole 5/16 in.)	4
Z	Hex Hd. Screw, 5/16-18 x 1-1/2 in. long	2
Z	Hex Hd. Screw, 5/16-18 x 1 in. long	2
BB	Truss Head Screw, 1/4-20 x 5/8	4

The following parts are included with Model 113.242720

Key No.	Part Name	Qty.
A	Leg	4
B	Side Stiffener	2
C	End Stiffener	2
D	Table Extension	2
	Pkg. of Miscellaneous Small Parts, No. 62767 for Legs Consisting of the Following:	
F	Lockwasher, 1/4 in. External Type (approx. dia. of hole 1/4 in.)	24
G	Hex Nut, 1/4-20 (approx. dia. of hole 1/4 in.)	24
G	Hex Nut, 1/2-13 (approx. dia. of hole 1/2 in.)	8
J	Truss Head Screw, 1/4-20 x 5/8 in. long (top of screw is rounded)	24
K	Leveling Foot	4
	Pkg. of Miscellaneous Small Parts No. 62745 for Table Extensions, Two Each: Consisting of the Following:	
E	Hex Head Screw 5/16-18 x 1-1/4	8
F	Lockwasher, 5/16 in. External Type (approx. dia. of hole 5/16 in.)	8



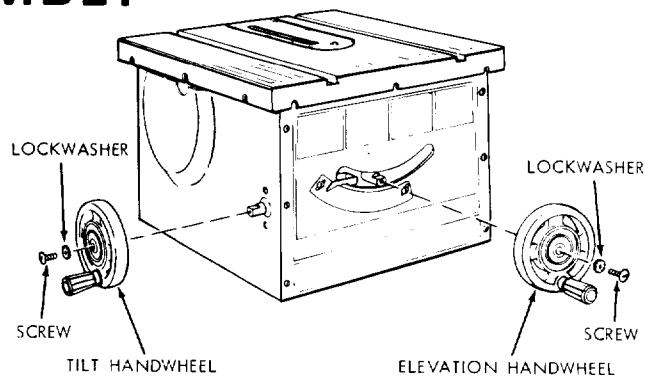
F	Lockwasher, 1/4 in. External Type (approx. dia. of hole 1/4 in.)	16
G	Hex Nut, 5/16-18 (approx. dia. of hole 5/16 in.)	8
G	Hex Nut, 1/4-20 (approx. dia. of hole 1/4 in.)	16
H	Flat Washer (dia. of hole 11/32)	8
H	Flat Washer (dia. of hole 17/64)	2
J	Truss Head Screw, 1/4-20 x 1 in. long (top of screw is rounded)	16
L	Corner Stiffener Bracket	4
M	Corner Support Bracket	4

ASSEMBLY

Before mounting the saw on legs, a stand or a bench, the Table Insert and Blade Squareness and Blade Elevation must be checked at this time.

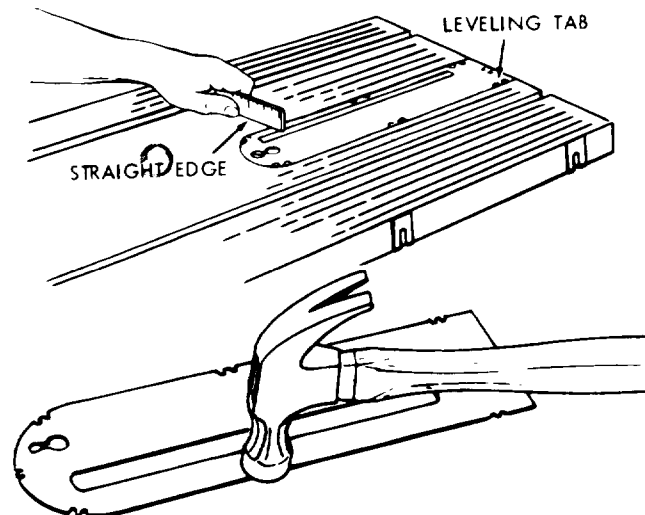
INSTALLING ELEVATION AND TILT HANDWHEELS

- Line up FLAT SPOTS on shaft and handwheel, push handwheel onto shaft. Install screw and lockwasher to lock handwheel on shaft.

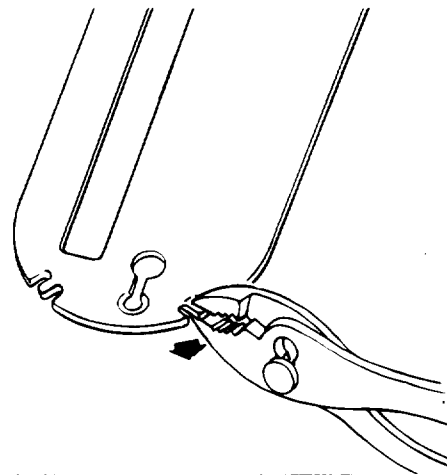


CHECKING TABLE INSERT

- With the insert in place, and sawblade all the way down, use a small scale or straight edge to check near each of the eight leveling tab positions, in order to determine if the insert is flush with saw table surface at all eight tab locations.
- If the insert is above the table surface, the leveling tabs must be adjusted.
 - Loosen Screw.
 - Lift insert from front end, and pull toward front of saw.
 - Remove the insert, place it upside down on your workbench and GENTLY TAP each of the tabs downward only a slight amount. Replace insert . . . check it and readjust tabs, if necessary.



- If the insert is BELOW the table surface, remove the insert and bend the tabs (with pliers) enough to make the insert ABOVE the table surface.
- To replace insert.
Place insert into insert opening in table and push toward rear of saw to engage spring clip and until keyslot in insert will drop over screw. Tighten screw.



DO NOT TIGHTEN SCREW TO THE POINT WHERE IT DEFLECTS THE INSERT.

CHECKING BLADE SQUARENESS TO TABLE

IMPORTANT: BLADE must be SQUARE (90°) to TABLE, in order to proceed with assembly.

To check for blade squareness, refer to "BLADE TILT, OR SQUARENESS OF BLADE TO TABLE" adjustments on page 25.

NOTE: The Combination Square must be "TRUE" — See start of "Unpacking and Checking Contents section on page 6 for checking method.

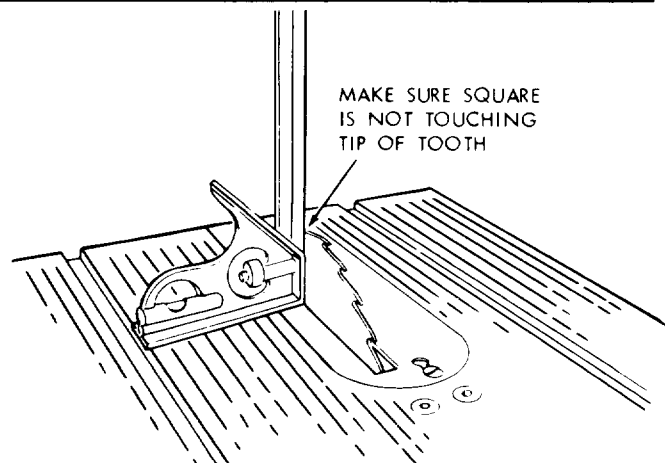
CHECKING BLADE FOR HEEL

IMPORTANT: Saw blade **MUST** be parallel to miter gauge groove.

To check for parallelism, refer to "HEELING ADJUSTMENT OR PARALLELISM OF SAWBLADE TO MITER GAUGE GROOVE" adjustment on page 24.

CHECKING BLADE ELEVATION

Maximum depth of cut **MUST NOT EXCEED TWO INCHES**. This adjustment is set at the factory and should be checked to make sure that it has not changed due to rough handling during shipment.



With the blade up as high as it will go, measure the distance from the top of the table to top of the highest saw tooth. If it is more than two (2) inches, adjust it at this time. Refer to "BLADE ELEVATION" adjustments on page 26.

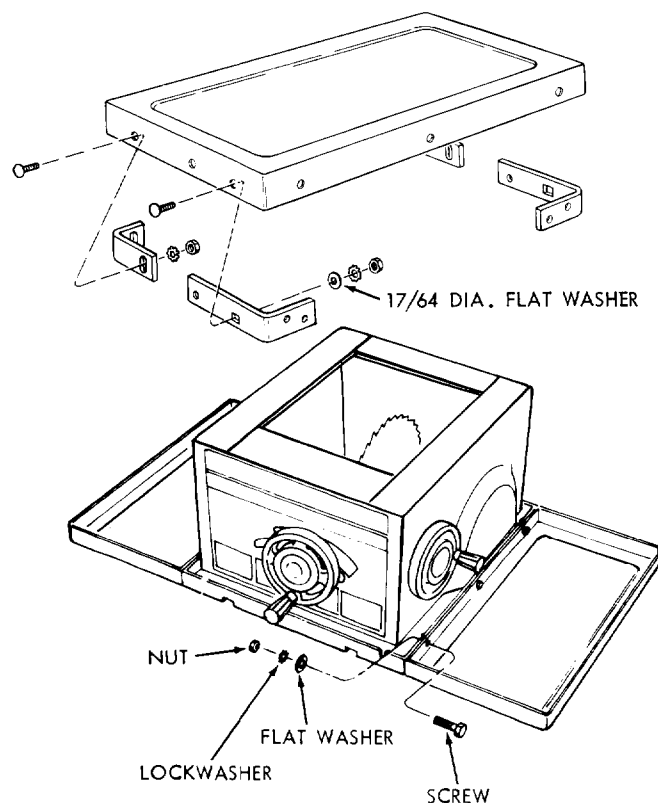
ATTACHING AND ASSEMBLING TABLE EXTENSIONS

If you received two Table Extensions with your saw (furnished with Model No. 113.242720) assemble and attach them at this time.

- Position saw upside down on floor.

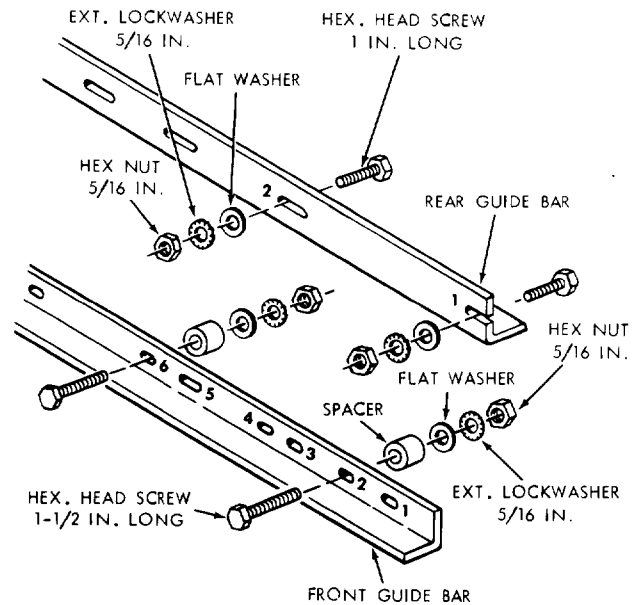
NOTE: To protect the finished surfaces of the saw and extensions, lay a piece of heavy paper on the floor.

- From among the loose parts find the two loose parts bags for table extensions.
 - 8 Hex Head Screws 5/16-18 x 1 1/4 in. long
 - 8 Lockwashers, 5/16 in. External Type (approx. dia. of hole 5/16 in.)
 - 8 Flat Washers (dia. of hole 1 1/32 in.)
 - 4 Flat Washers (dia. of hole 17/64)
 - 8 Hex Nuts, 5/16-18 (approx. dia. of hole 5/16 in.)
 - 16 truss head screws 1/4-20 x 1
 - 4 corner support brackets
 - 4 corner stiffener brackets
 - 16 Hex nut 1/4-20
 - 16 lockwashers, 1/4" External Type
- Install support corner brackets, stiffener corner brackets, screws, lockwashers, washers, and nuts for assembling extensions as shown . . . tighten screws attaching extensions to table **SLIGHTLY**. BE SURE END OF EXTENSIONS ARE EVEN WITH FRONT EDGE OF SAW.
- Leave saw in upside down position until you attach the rip fence guide bars and legs.

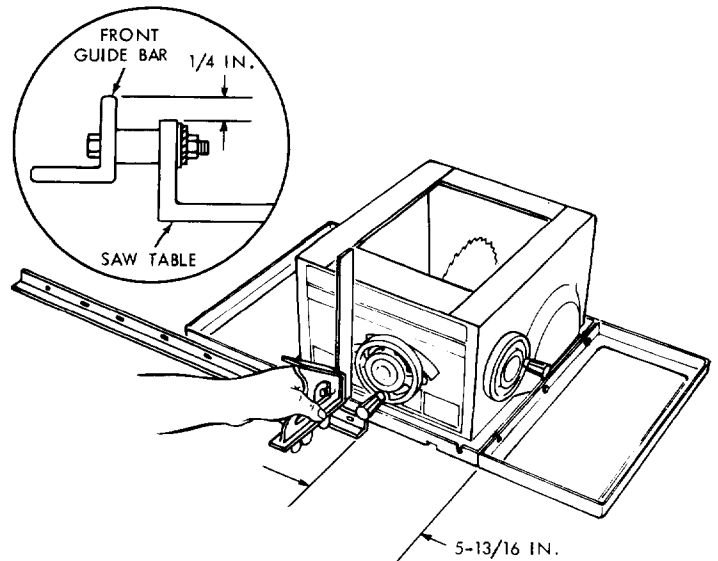


INSTALLING RIP FENCE GUIDE BARS

- From among the loose parts find the following hardware:
 - 2 Hex. Head Screws, 5/16 - 18 x 1-1/2 in. long
 - 2 Hex. Head Screws, 5/16 - 18 x 1 in. long
 - 4 Hex. Nuts, 5/16 - 18 (approx. dia. of hole 5/16 in.)
 - 4 External Lockwashers, 5/16 in. (approx. dia. of hole 5/16 in.)
 - 4 Flat Washers (Dia. of hole 21/64 in.)
 - 2 Spacers, 3/4 in. dia. x 1/2 in. long
 - 2 Self-threading nuts
- Position guide bars on floor and install hardware as shown . . . do not screw nuts on all the way.

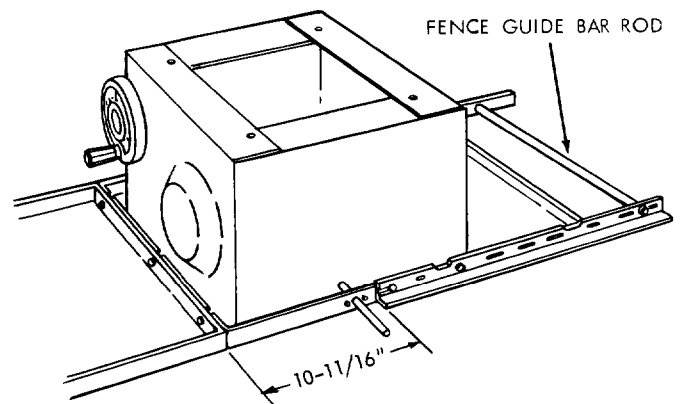


- Place front guide bar against saw table and drop it in place . . . engaging the screws in the slots. Make sure the spacers are between the rail and the table.
- End of front guide bar must be 5-13/16 in. from side of saw table. This is important so that rip fence Indicator can be aligned.
- With the blade of your combination square set to 1/4 in., use it as a gauge and attach the rail so that the edge of the rail is 1/4 in. ABOVE the edge of the table.



- Remove the three screws from rear of table extension.
- Insert ends of FENCE GUIDE BAR ROD through round holes at outer end of bars.

NOTE: The ends of the ROD are not threaded . . . the SELF THREADING NUTS will cut threads on the rod as they are screwed on.
- Attach the rear bar in a similar manner, but make sure that the end of the bar is 10-11/16 in. from the side of the saw table.



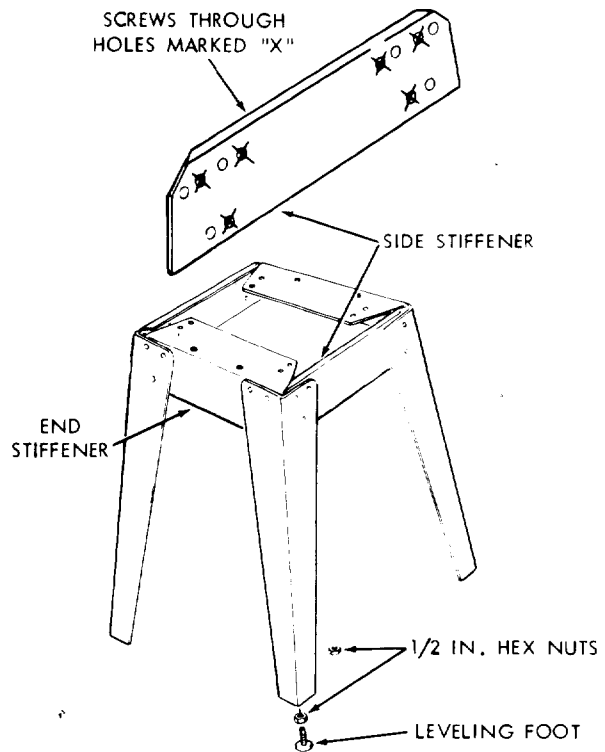
ASSEMBLING STEEL LEGS

NOTE: Steel Legs are furnished with Model 113.242720. From among the loose parts, find the following Hardware:

- 24 Truss Head Screws, 1/4 – 20 x 5/8 in. long (top of screw is rounded)
- 24 Lockwashers, 1/4 in. External Type (approx. dia. of hole 1/4 in.)
- 24 Hex Nuts, 1/4 – 20 (approx. dia. of hole 1/4 in.)
- 8 Hex Nuts, 1/2 – 13 (approx. dia. of hole 1/2 in.)
- 4 Leveling feet.

Assemble the legs as shown . . .

1. Insert the Truss Head Screws through the holes in the legs, then through the holes in the stiffeners. **MAKE SURE THE SCREWS GO THROUGH THE HOLES IN THE SIDE STIFFENERS MARKED "X"**.
2. Install lockwashers and screw on the nuts but do not tighten until completely assembled.
3. Install leveling feet.



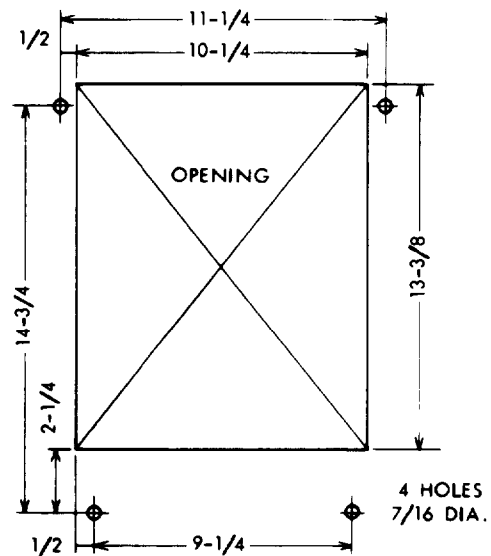
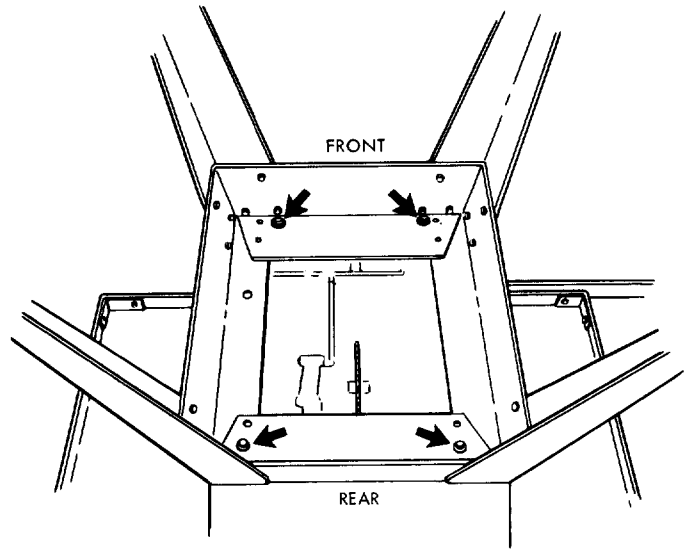
MOUNTING SAW

1. From the loose parts find the four 1/4-20 x 5/8 in. Truss Head Screws, 17/64 x 5/8 x 1/16 Flat Washers, 1/4 in. Lockwashers and 1/4-20 Hex Nuts.
2. Position legs as shown and line up holes in stiffeners with holes in saw base.

NOTE: At front of saw you will see four sets of holes. Insert bolts through holes closest to front of saw . . . these holes are 9-1/4" apart.

Attach legs using the screws, washers, lockwashers and nuts . . . tighten the nuts.

3. Place saw in upright position.

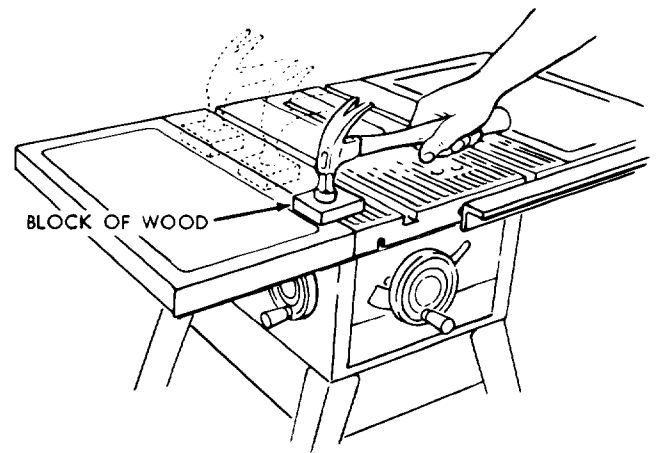


NOTE: All dimensions in inches.

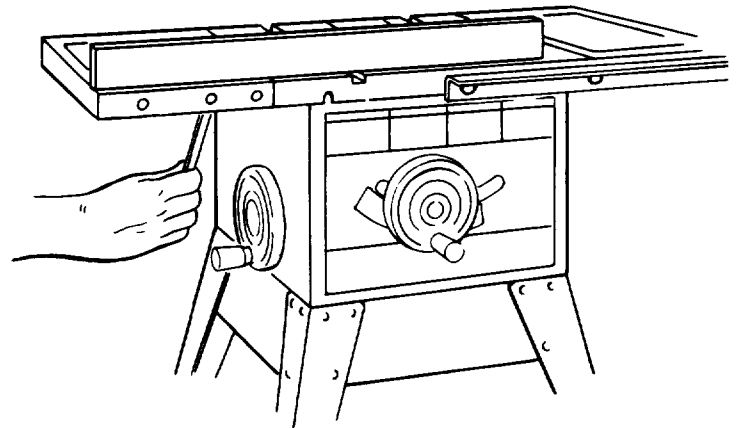
FRONT OF SAW

ALIGNING TABLE EXTENSIONS

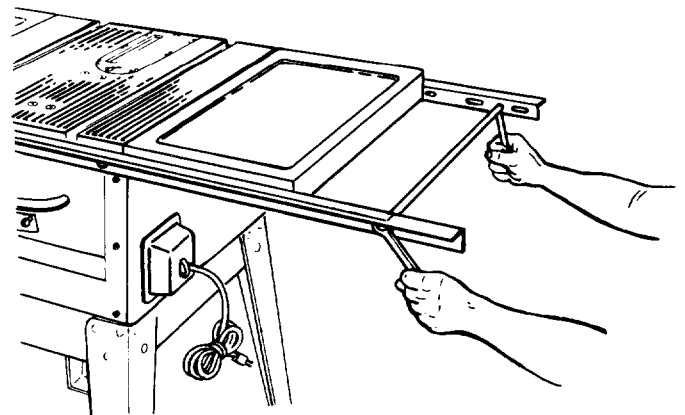
1. "Tap" extensions upwards or downwards, using a block of wood and a hammer until they are even with top of saw table. Be sure end of extensions are even with front edge of saw.
2. Tighten screws.



3. Lay a straight piece of wood or a framing square on table to act as a straightedge. If outer edge of extension is higher or lower than table surface:
 - A. Slightly loosen nuts holding bracket to extension using 7/16 in. wrench.
 - B. Move end of extension up or down until outer edge is even with table surface . . . check with GUIDE BAR . . . tighten nuts.
 - C. Recheck INNER edge of extension to make sure it has not moved . . . readjust, if necessary.
4. Replace three screws in rear of table extension on right side.



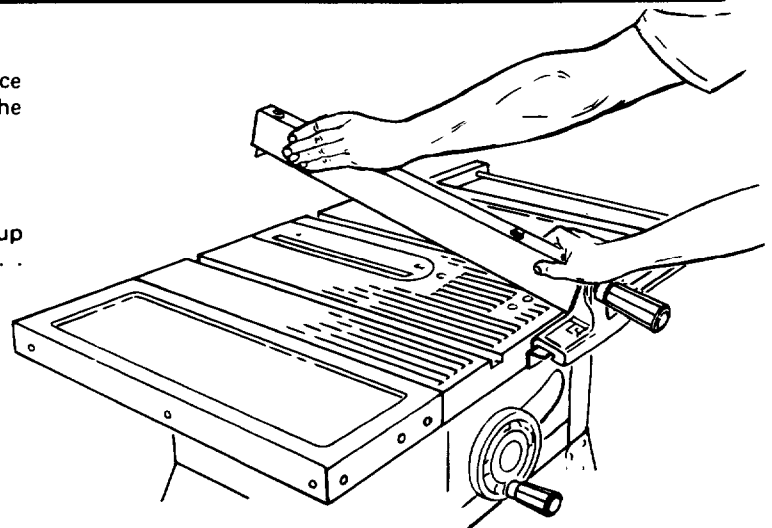
5. Hold rod with one hand and with a 1/2 in. wrench or pliers start screwing on ONE of the nuts only A TURN OR TWO . . . screw on other nut the same way. Using TWO 1/2 in. wrenches or pliers tighten both of the nuts.



IMPORTANT: Apply a coat of paste wax to the top surface and front edge of the front guide bar. This will allow the fence to slide more easily.

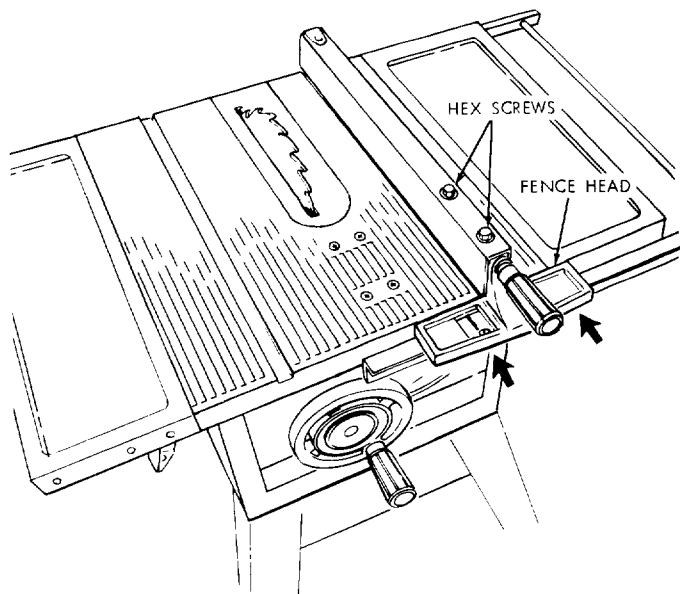
ALIGNING RIP FENCE

6. Position rip fence over miter gauge groove, holding up the rear end while engaging front end with bar . . . lower fence onto table.



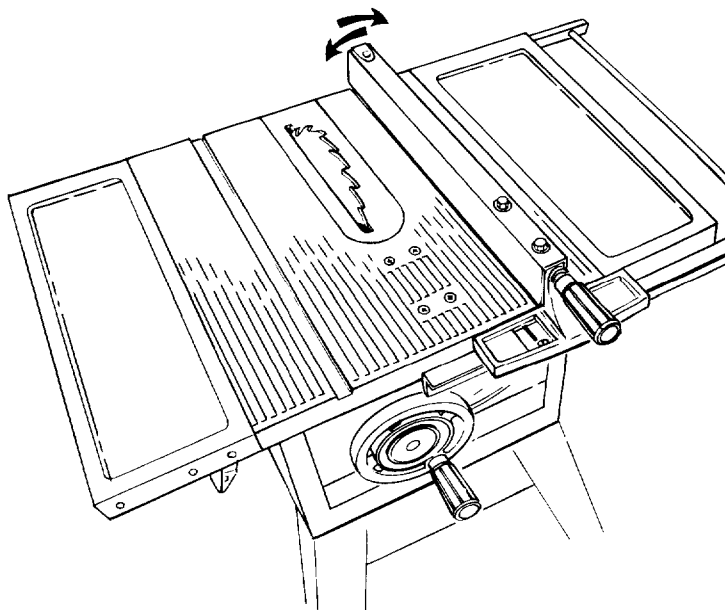
The rip fence must be **PARALLEL** with the sawblade and Miter Gauge grooves . . . Move fence until it is along side of groove. Do **NOT LOCK IT**. It should be parallel to groove. If it is not;

- A. Loosen the two "Hex. Head Screws."
- B. Hold fence head tightly against bar . . . move end of fence so that it is parallel with groove.
- C. Tighten handle.
- D. Alternately tighten the screws.



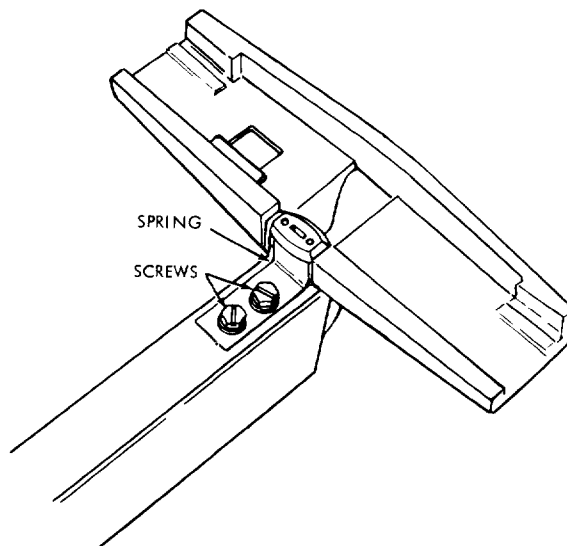
Place fence on saw but **DO NOT LOCK IT**. Move the **REAR END** of the fence slightly to the right or left . . . when you release it, the fence should "spring" back to its original position. If it does not, the spring pressure must be **INCREASED**.

1. Loosen the screws.
2. Move Spring slightly toward front of fence.



If the fence does not slide easily along the bars, the pressure of the spring can be **REDUCED**.

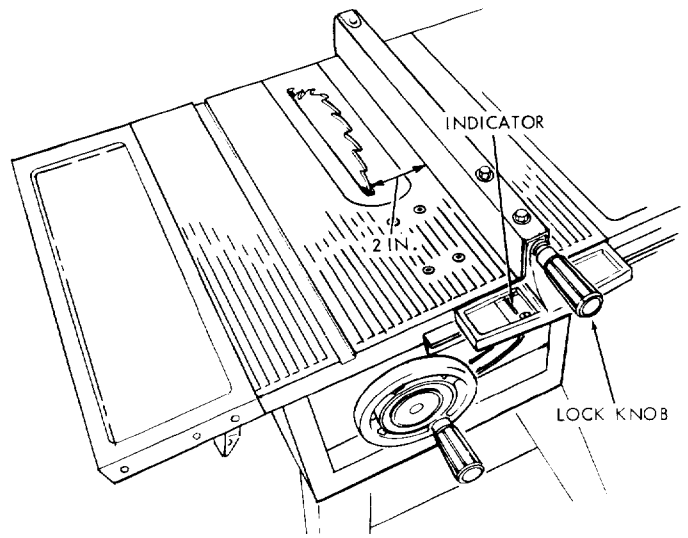
1. Loosen the screws.
2. Move spring slightly toward rear of fence . . . tighten screws.



ADJUSTING RIP SCALE INDICATOR

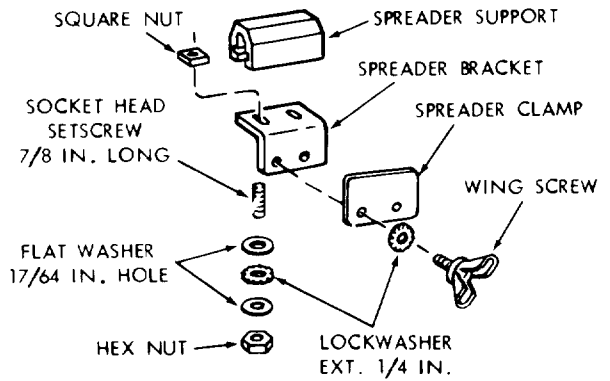
1. Turn ELEVATION handwheel clockwise until blade is up as high as it will go.
IMPORTANT: BLADE must be SQUARE (90°) to TABLE, in order to ALIGN rip fence.
2. Position fence on right side of sawblade so that it touches the sides of the teeth . . . tighten lock knob.
3. Loosen screw holding the indicator . . . adjust indicator so that it points to "2" . . . tighten screw.

NOTE: If you cannot adjust indicator so that it points to "2", loosen the screws holding the front guide bar and move the guide bar.

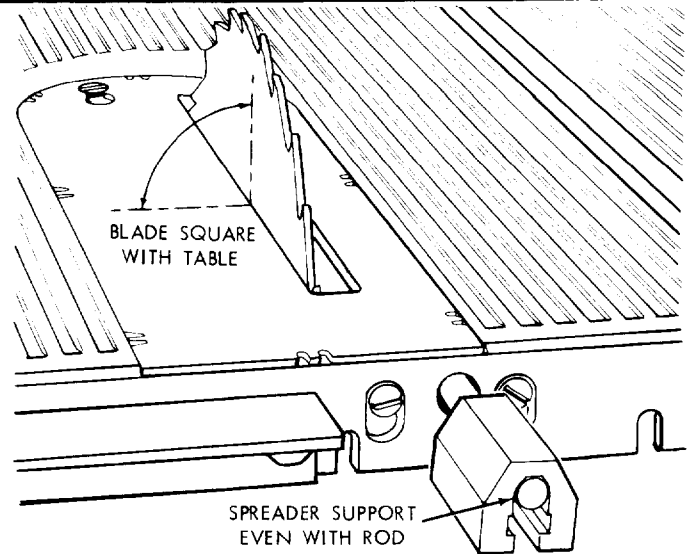


INSTALLING BLADE GUARD

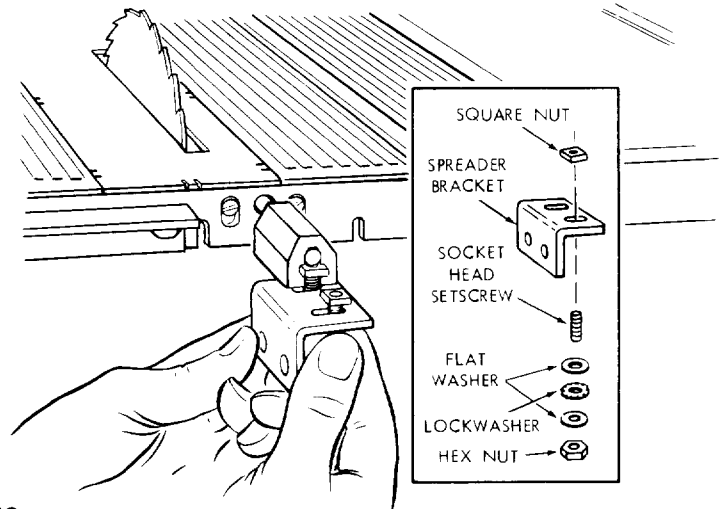
1. From among the loose parts, find the hardware as shown.



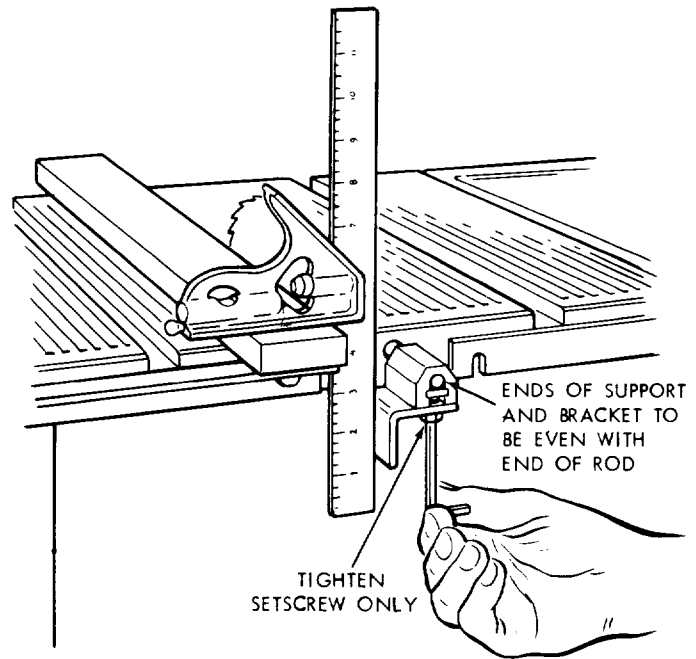
2. MAKE SURE THE BLADE IS ALL THE WAY UP AND SQUARE WITH THE TABLE.
3. Position SPREADER SUPPORT on rod until it is even with the end of the rod.



4. Assemble the 7/8 in. long setscrews, nuts, lockwashers and washers to the SPREADER SUPPORT BRACKET and slip the nuts into the slot in the spreader support.
5. Finger tighten ONLY THE HEX NUTS.

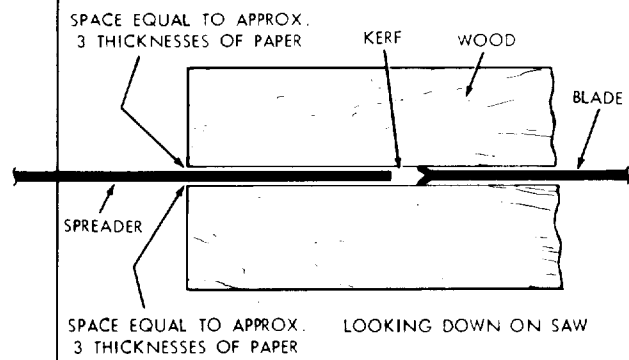


6. Lay a piece of flat straight wood and a square on saw table and rotate the SPREADER SUPPORT until the bracket is aligned with square.
7. MAKE SURE END OF SUPPORT, BRACKET AND ROD ARE EVEN . . . using an 1/8 in. setscrew wrench, TIGHTEN THE SET SCREWS ONLY.

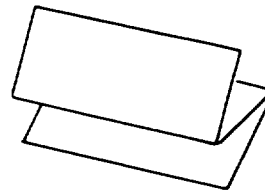


IMPORTANT: The SPREADER must always be PARALLEL to the sawblade and in the MIDDLE of the cut (KERF) made by the sawblade.

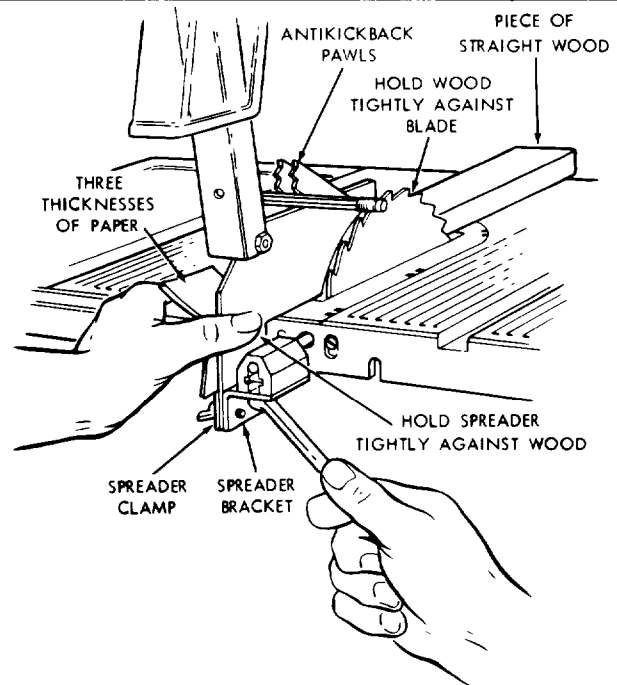
NOTE: The spreader is thinner than the width of the KERF by approximately six thicknesses of paper.



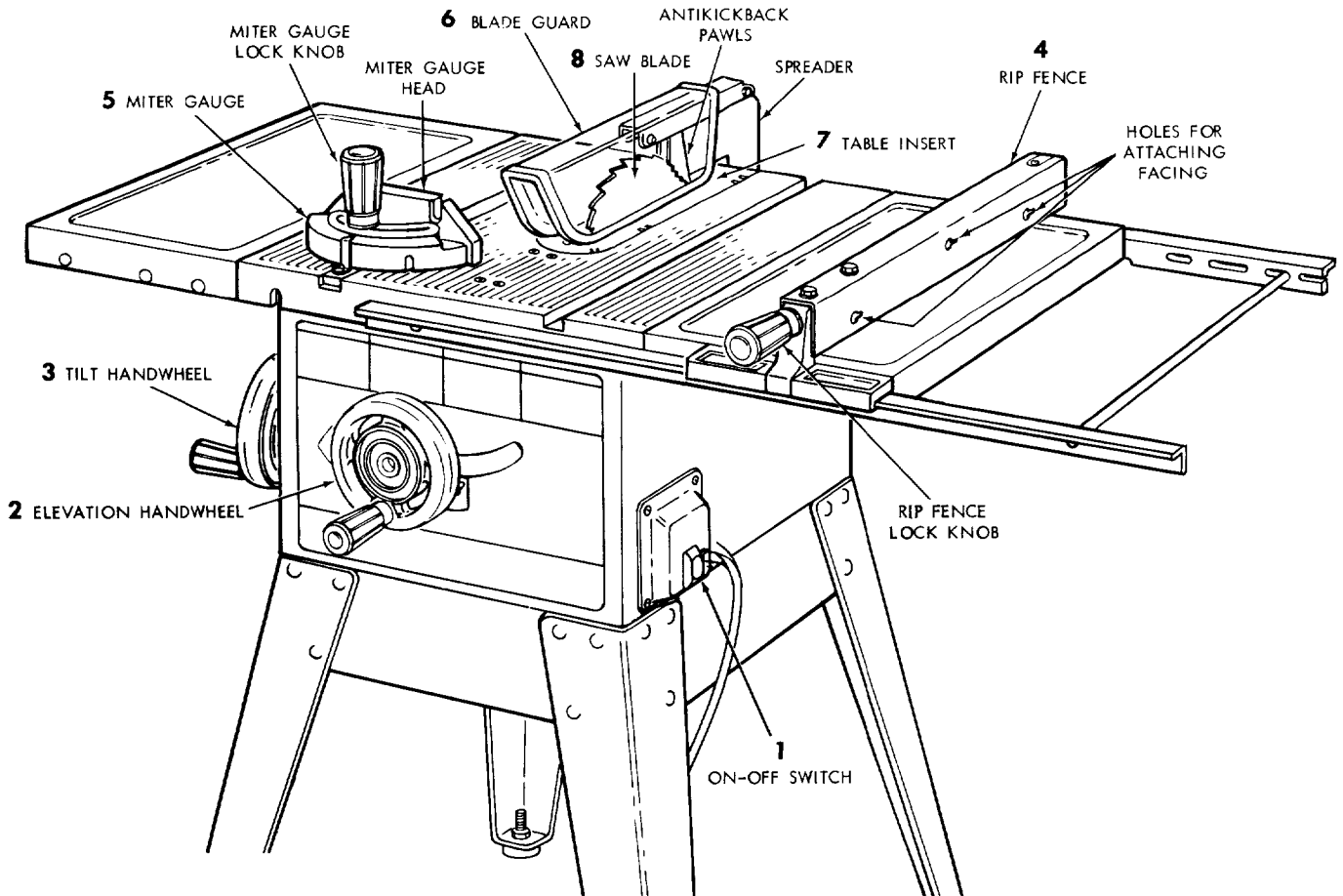
8. Make two folds in a small piece (6 x 6 in.) of ordinary NEWSPAPER making three thicknesses. The folded paper will be used as a "spacing gauge".



9. Install the SPREADER CLAMP. Place spreader between spreader clamp and bracket. Move forward until all three are in line. TIGHTEN WINGSCREWS.
10. Lift up both ANTIKICKBACK PAWLS . . . insert one of the setscrew wrenches or a pencil in the notches to hold the pawls out of the way.
11. Lay a piece of straight flat wood against the sawblade. Insert folded paper between spreader and strip of wood.
12. MAKE SURE THE HEX NUTS UNDERNEATH ARE LOOSE.
13. Hold the spreader tightly against the wood and make sure the wood is against the saw blade. TIGHTEN THE HEX NUTS.
This will align the spreader in the middle of the cut (KERF) made by sawblade.



GETTING TO KNOW YOUR SAW



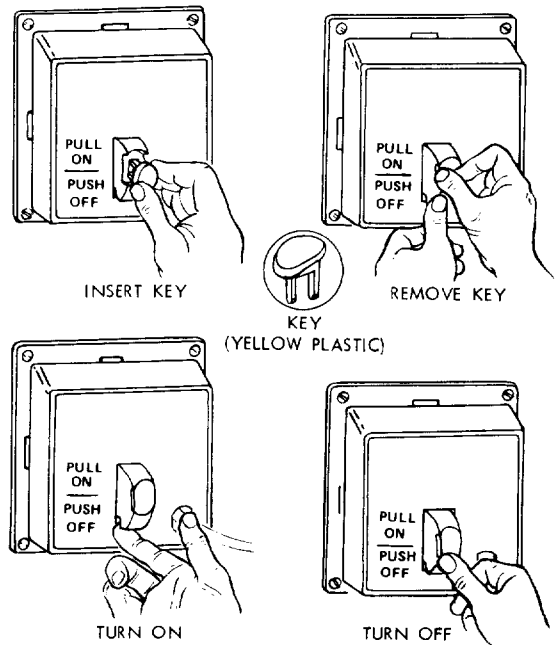
1 ON-OFF SWITCH

CAUTION: Before turning switch on, make sure the blade guard is correctly installed and operating properly.

The On-Off Switch has a locking feature. **THIS SHOULD PREVENT UNAUTHORIZED AND POSSIBLY HAZARDOUS USE BY CHILDREN AND OTHERS.**

- A. Insert key into switch.
- B. TO turn saw ON ... stand to either side of the blade never in line with it ... insert finger under switch lever and pull END of lever out. After turning switch ON, always allow the blade to come up to full speed before cutting. Do not cycle the motor switch on and off rapidly, as this may cause the sawblade to loosen. In the event this should ever occur, allow the sawblade to come to a complete stop and retighten the arbor nut normally, not excessively. Never leave the saw while the power is "ON".
- C. TO turn saw OFF ... PUSH lever in. Never leave the saw until the cutting tool has come to a complete stop.
- D. TO lock switch in OFF position ... hold switch IN with one hand ... REMOVE key with other hand.

WARNING: FOR YOUR OWN SAFETY, LOWER BLADE OR OTHER CUTTING TOOL BELOW TABLE SURFACE. (IF BLADE IS TILTED, RETURN IT TO VERTICAL (90°) POSITION). ALWAYS LOCK THE SWITCH "OFF". WHEN SAW IS NOT IN USE ... REMOVE KEY AND KEEP IT IN A SAFE PLACE ... ALSO ... IN THE EVENT OF A POWER FAILURE (ALL OF YOUR LIGHTS GO OUT) TURN SWITCH OFF



... LOCK IT AND REMOVE THE KEY. THIS WILL PREVENT THE SAW FROM STARTING UP AGAIN WHEN THE POWER COMES BACK ON.

2 ELEVATION HANDWHEEL . . . elevates or lowers the blade. Turn clockwise to elevate . . . counterclockwise to lower.

NOTE: WHEN THE BLADE IS TILTED TO 45°, IT CANNOT BE LOWERED ALL THE WAY BELOW THE TABLE. IT WILL PROJECT APPROX. 1/2 IN.

3 TILT HANDWHEEL . . . tilts the blade for bevel cutting. Turn clockwise to tilt toward left . . . counterclockwise to tilt toward right.

When the blade is tilted to the LEFT as far as it will go, it should be at 45° to the table and the bevel pointer should point 45°.

NOTE: There are LIMIT STOPS inside the saw which prevent the blade from tilting beyond 45° to the LEFT and 90° to the RIGHT. (See "Adjustments" section "Blade Tilt, or Squareness of Blade to Table").

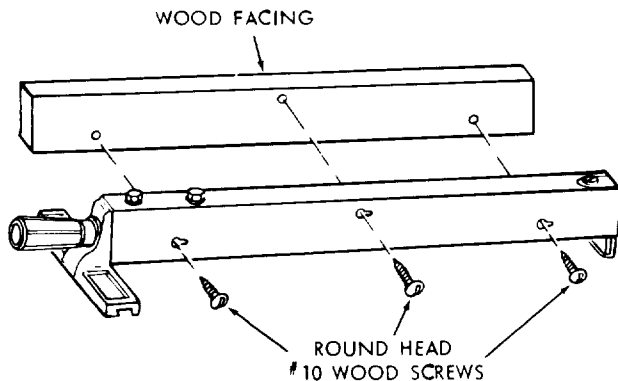
4 RIP FENCE . . . is locked in place by tightening the lock knob. To move the fence, loosen the lock knob and grasp the fence with one hand at the front.

Holes are provided in the rip fence for attaching a wood facing when using the dado head, or molding head.

Select a piece of smooth straight wood approx. 3/4 in. thick and the same size as the rip fence.

Attach it to the fence with three Round Head #10 Wood Screws 2 in. long. To remove the facing, loosen the screws, slide the facing forward and pull the screws through the round holes.

If you are making a rip type cut in material thinner than 3/16 in. while the fence is positioned over the depressed area of table extension, the facing should be attached to the fence so that the bottom edge touches the top surface of the extension. In this case, the facing must be shorter than the fence. This will prevent thin material from sliding under the rip fence.

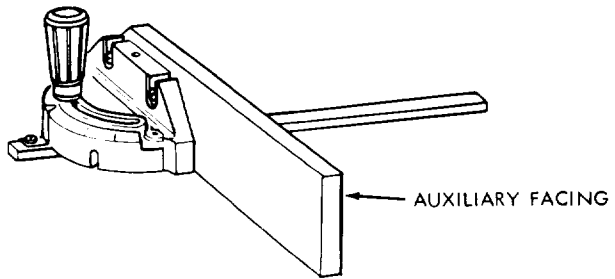


5 MITER GAUGE . . . head is locked in position for crosscutting or mitering by tightening the lock knob. ALWAYS LOCK IT SECURELY WHEN IN USE.

Notches are provided in the miter gauge for attaching an AUXILIARY FACING to make it easier to cut long pieces. Be positive facing does not interfere with the proper operation of the sawblade guard.

Select a suitable piece of smooth straight wood . . . drill two holes through it and attach it with screws.

NOTE: When bevel crosscutting, attach facing so that it extends to the right of the miter gauge and use the miter gauge in the groove to the right of the blade.

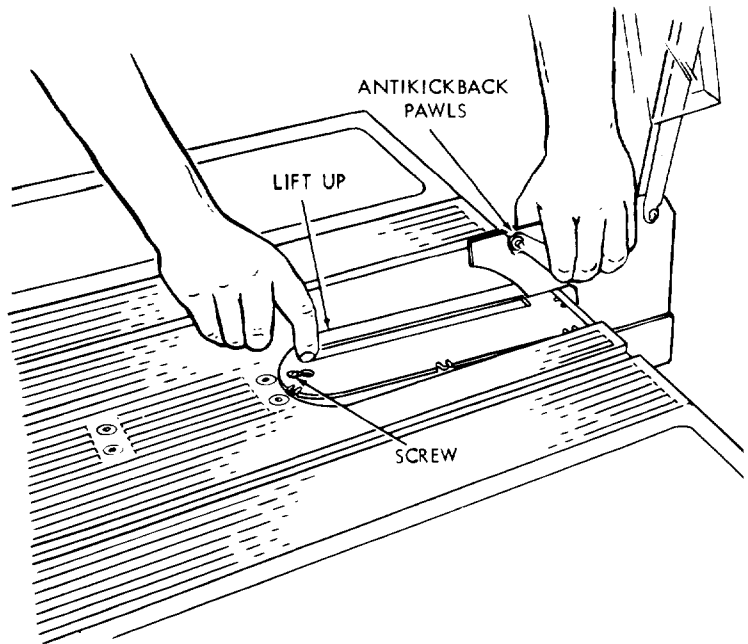


6 BLADEGUARD must always be in place and working properly for all thru-sawing cuts. That is, all cuts whereby the blade cuts completely through the workpiece.

To remove the guard for special operations, loosen the wingscrews and move spreader away from saw and lift upwards. DO NOT DISTURB THE SETTING OF THE HEX NUTS.

When replacing the guard, make sure the spreader is moved toward front of saw so that wingscrews are at end of slots. TIGHTEN THE WINGSCREWS SECURELY.

7 TABLE INSERT is removable for removing or installing blades or other cutting tools . . .



WARNING: FOR YOUR OWN SAFETY, TURN SWITCH "OFF" AND REMOVE PLUG FROM POWER SOURCE OUTLET BEFORE REMOVING INSERT.

- A. Lower the blade below the table surface.
- B. Loosen screw.
- C. Lift antikickback pawls.
- D. Lift insert from front end, and pull toward front of saw.

NEVER OPERATE THE SAW WITHOUT THE PROPER INSERT IN PLACE. USE THE SAW BLADE INSERT WHEN SAWING . . . USE THE COMBINATION DADO MOLDING INSERT WHEN DADOING OR MOLDING.

8 REMOVING AND INSTALLING SAWBLADE

WARNING: FOR YOUR OWN SAFETY, TURN SWITCH "OFF" AND REMOVE PLUG FROM POWER SOURCE OUTLET BEFORE REMOVING OR INSTALLING SAWBLADE.

- A. Remove insert.
- B. Place ARBOR wrench on flat surfaces of saw ARBOR . . . ARBOR NUT wrench on nut . . . position wrenches as shown . . . hold your hands well above blade.
- C. With ARBOR wrench against table, PULL ARBOR NUT wrench FORWARD to LOOSEN nut.
- D. To TIGHTEN nut . . . HOLD ARBOR wrench against rear of table . . . PUSH ARBOR NUT wrench toward rear.

NOTE: When installing the blade . . . make sure the teeth are pointing toward the front of the saw . . . and that the blade and collars are clean, and free from any burrs.

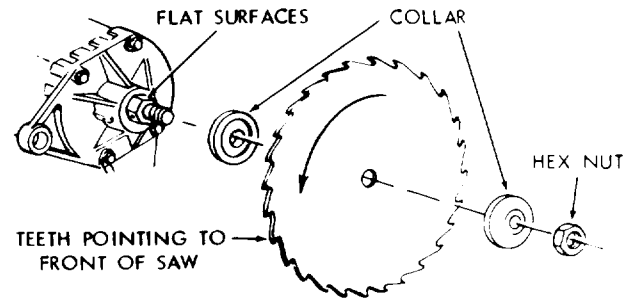
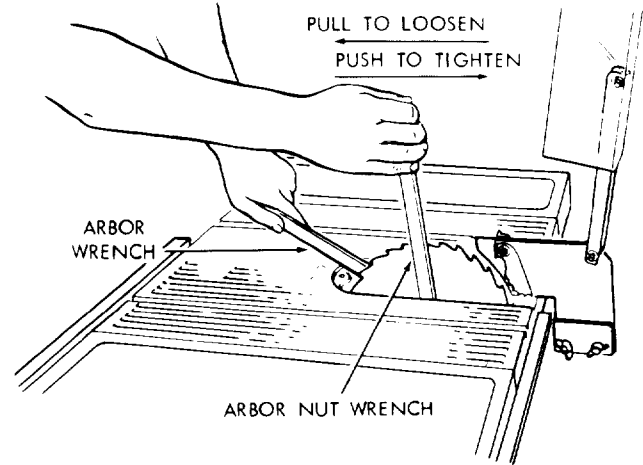
The HOLLOW side of the collars must be against the blade.

NOTE: Do not overtighten arbor nut. Use the arbor wrench to just "snug" it.

- E. To replace insert.

Place insert into insert opening in table and push toward rear of saw until keyslot in insert will drop over screw. Tighten screw.

Do not tighten screw to the point where it will deflect the insert.



BASIC SAW OPERATION USING THE MITER GAUGE

CROSSCUTTING, MITER CUTTING, BEVEL CUTTING, COMPOUND MITER CUTTING and when **RABBETING** across the end of narrow workpiece, **THE MITER GAUGE IS USED.**

WARNING: FOR YOUR OWN SAFETY, ALWAYS OBSERVE THE FOLLOWING SAFETY PRECAUTIONS IN ADDITION TO THE SAFETY INSTRUCTIONS ON PAGES 2,3, and 4.

1. Never make these cuts freehand (without using the miter gauge or other auxiliary devices) because the blade could bind in the cut and cause a KICKBACK or cause your fingers or hand to slip into the blade.
2. Always lock the miter gauge securely when in use.
3. Remove rip fence from table.
4. Make sure blade guard is installed for all "THRU-SAWING" operations (when sawblade cuts entirely thru the thickness of the workpiece.) Replace guard IMMEDIATELY after completion of dadoing, molding or rabbeting cuts.
5. Have blade extend approximately 1/8 in. above top of workpiece. Additional blade exposure would increase the hazard potential.
6. Do not stand directly in front of the blade in case of a THROWBACK (Small cut-off piece caught by the back of the blade and thrown toward the operator). Stand to either side of the blade.
7. Keep your hands clear of the blade and out of the path of the blade.

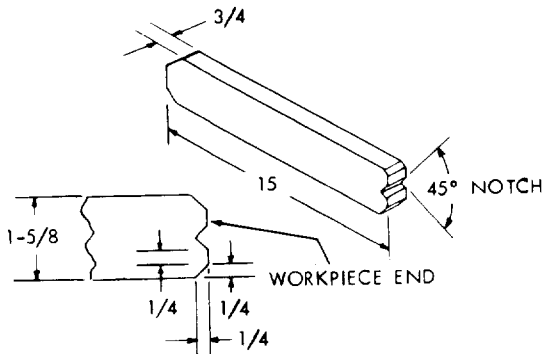
8. If blade stalls or stops while cutting, TURN SWITCH OFF before attempting to free the blade.
9. Do not reach over or behind the blade to pull the workpiece through the cut . . . to support long or heavy workpieces . . . to remove cut-off pieces of material or FOR ANY OTHER REASON.
10. Do not pick up small pieces of cut-off material from the table. REMOVE them by pushing them OFF the table with a long stick. Otherwise they could be thrown back at you by the rear of the blade.
11. Do not remove small pieces of cut-off material that may become TRAPPED inside the blade guard while the saw is RUNNING. THIS COULD ENDANGER YOUR HANDS or cause a KICKBACK.
Turn the saw OFF. After the blade has stopped turning, lift the guard and remove the piece.

WORK HELPERS

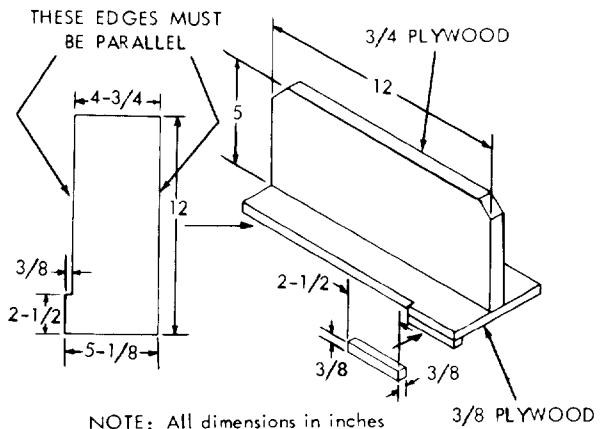
Before cutting any wood on your saw, study all of the "Basic Saw Operations".

Notice that in order to make some of the cuts, it is necessary to use certain devices "Work Helpers" like the Push Stick, the Push Block and the Auxiliary Fence which you can make yourself.

After you have made a few practice cuts, make these "helpers" before starting any projects. Make the "Push Stick" first.



NOTE: All dimensions in inches
PUSH STICK



NOTE: All dimensions in inches
PUSH BLOCK

PUSH STICK AND PUSH BLOCK

Make the Push Stick using a piece of 1 x 2, or rip one from a wide board, say 11-1/2 in. wide, and set the rip fence 9-7/8 in. from the sawblade.

Make the Push Block using a piece of 3/8 in. and 3/4 in. plywood.

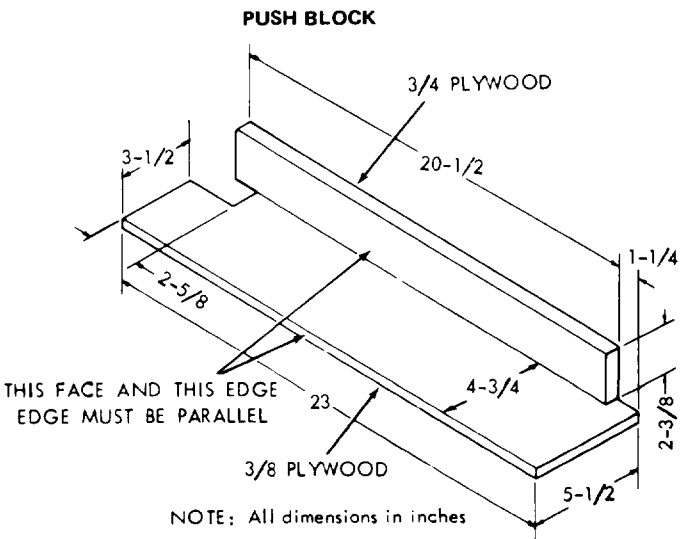
The small piece of wood 3/8 in. x 3/8 in. x 2-1/2 in. should be **GLUED** to the plywood . . . **DO NOT USE NAILS**. This is to prevent dulling the sawblade in the event you mistakenly cut into the push block.

Position the handle in the center of the plywood and fasten together with glue and woodscrews.

AUXILIARY FENCE

Make one using a piece of 3/8 in. and 3/4 in. plywood. Fasten together with glue and woodscrews.

NOTE: Since the Push Block is used with the Auxiliary Fence, the 4-3/4 in. dimensions must be held identical on both the pieces.



NOTE: All dimensions in inches
AUXILIARY FENCE

CROSSCUTTING

CROSSCUTTING is known as cutting wood across the grain, at 90°, or square with both the edge and the flat side of the wood. This is done with miter gauge set at "0".

The graduations on the miter gauge provide accuracy for average woodworking. In some cases where extreme accuracy is required, when making angle cuts, for example, make a trial cut and then recheck it with an accurate square, or protractor.

If necessary, the miter gauge head can be swiveled slightly to compensate for any inaccuracy.

NOTE: The space between the miter gauge bar and the groove in the table is held to a minimum during manufacturing.

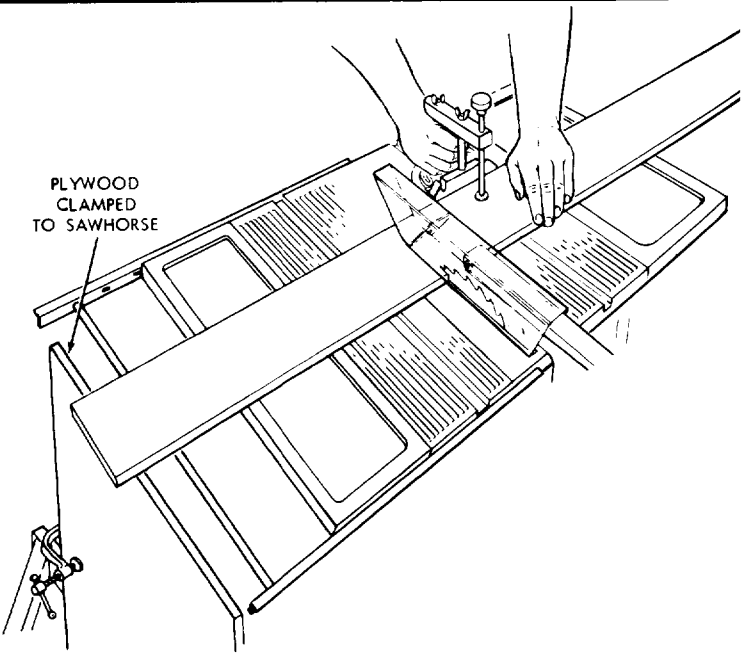
For maximum accuracy when using the miter gauge, always "favor" one side of the groove in the table. In other words, don't move the miter gauge from side to side while cutting, but keep one side of the bar riding against one side of the groove.

NOTE: Glue a piece of sandpaper to the face of the miter gauge head. This will help prevent the workpiece from "creeping" while it is being cut.

The Hold-Down Clamp (Optional Accessory) should be used on the miter gauge for greater accuracy.

The miter gauge may be used in either of the grooves in the table. Make sure it is locked.

When using the miter gauge in the **LEFT** hand groove, hold the workpiece firmly against the miter gauge head with your left hand, and grip the lock knob with your right.



PLYWOOD CLAMPED TO SAWHORSE

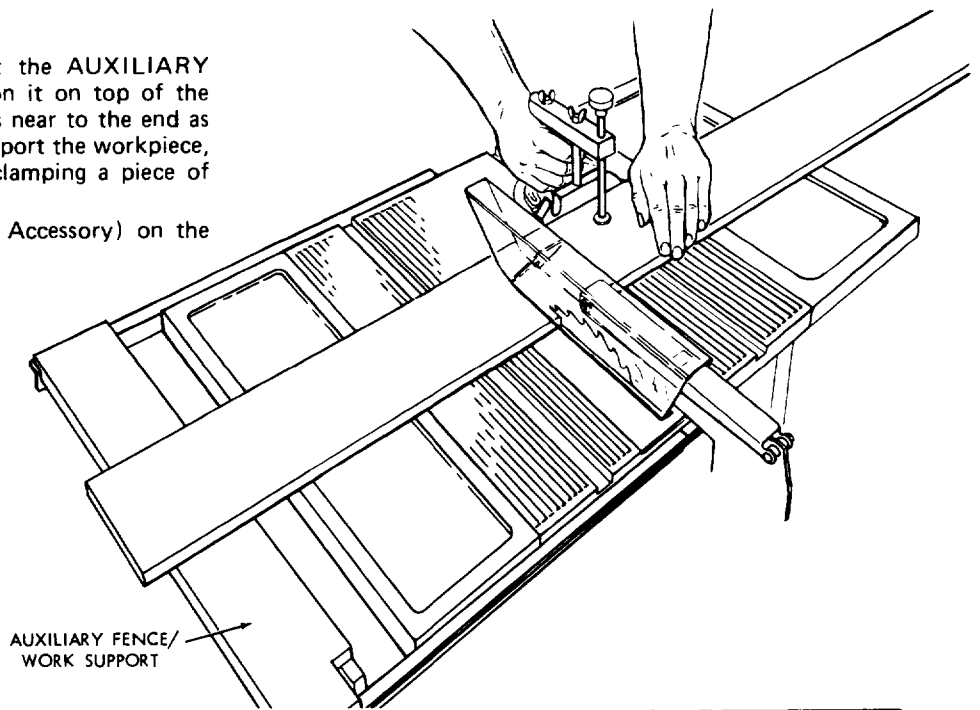
When using the **RIGHT** hand groove, hold the workpiece with your right hand and the lock knob with your left hand.

When crosscutting a long board, make sure that it is supported.

You can make a simple support by clamping a piece of plywood to a sawhorse.

When cutting long workpieces, invert the AUXILIARY FENCE/WORK SUPPORT, and position it on top of the guide bars to support the workpiece as near to the end as possible. If this does not adequately support the workpiece, you can make a simple support by clamping a piece of plywood to a sawhorse.

Use the Hold-Down Clamp (Optional Accessory) on the miter gauge for greater accuracy.



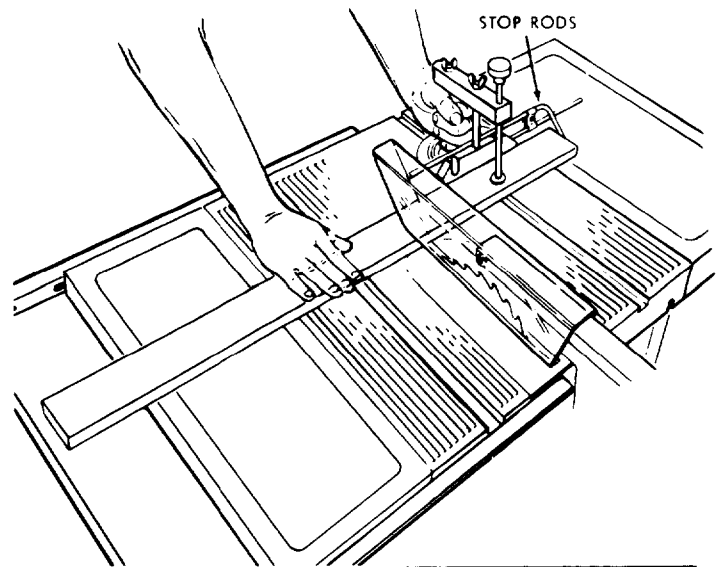
REPETITIVE CUTTING

REPETITIVE CUTTING is known as cutting a quantity of pieces the same length without having to mark each piece.

1. Use the Stop Rods (optional accessory) only for cutting duplicate pieces 6 in. long and longer.
2. DO NOT FEED workpiece with RIGHT hand, merely guide it, making sure that it does not bind or pinch the sawblade.

When making repetitive cuts from a long workpiece, make sure it is adequately supported.

Use the Hold-Down Clamp (Optional Accessory) on the miter gauge for greater accuracy.

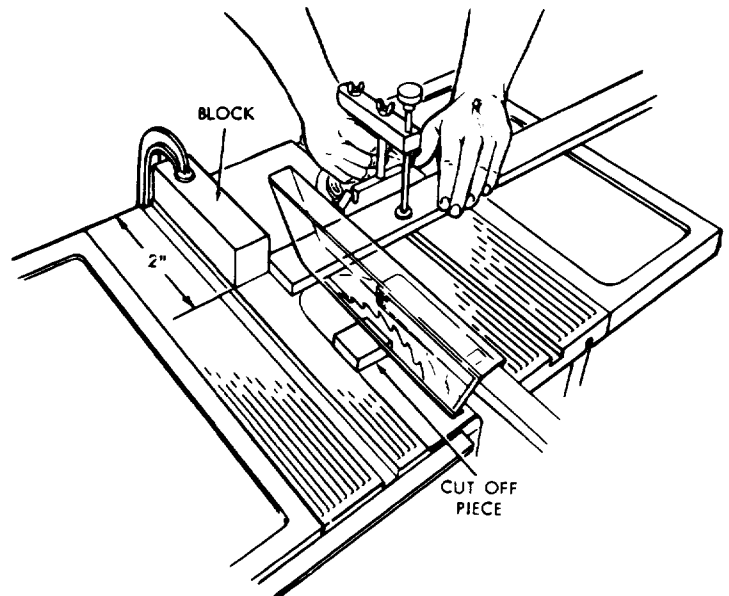


1. NEVER USE THE RIP FENCE AS A LENGTH STOP BECAUSE THE CUTOFF PIECE COULD BIND BETWEEN THE FENCE AND THE BLADE CAUSING A KICKBACK.

2. When making repetitive cuts shorter than 6 in., clamp a block of wood 2 in. long to the table to act as a length stop. Do not clamp directly to the bottom edge of the table because the "swivel" of the clamps will not grip properly. Place a small block of wood between the bottom edge of the table and the "C" clamps.

CAUTION: When clamping the block, make sure that the end of the block is well in front of the sawblade. Be sure it is clamped securely.

3. Slide the workpiece along the miter gauge until it touches the block . . . hold it securely or clamp it with the Hold-Down Clamp (Optional Accessory).
4. Make the cut . . . pull the workpiece back . . . push the cut off piece off the table with a long push stick . . . DO NOT ATTEMPT TO PICK IT UP AS THIS COULD ENDANGER YOUR HANDS.



MITER CUTTING

MITER CUTTING is known as cutting wood at an angle other than 90° with the edge of the wood. Follow the same procedure as you would for crosscutting.

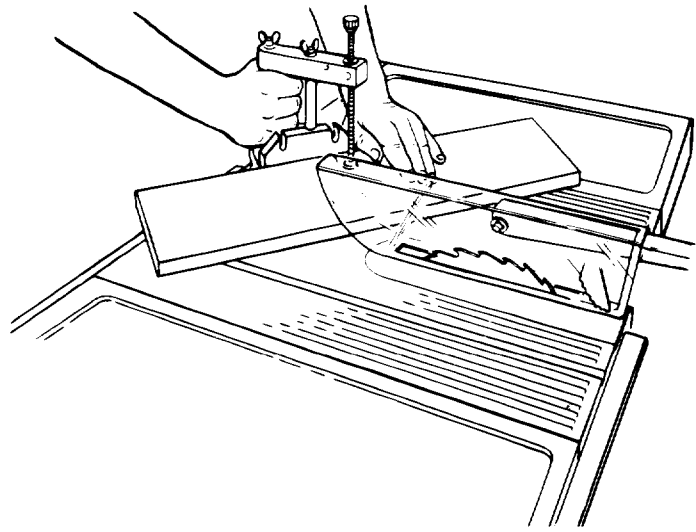
Adjust the miter gauge to the desired angle, and lock it.

The miter gauge may be used in either of the grooves in the table.

When using the miter gauge in the **LEFT** hand groove, hold the workpiece firmly against the miter gauge head with your left hand, and grip the lock knob with your right.

When using the **RIGHT** hand groove, hold the workpiece with your right hand and the lock knob with your left hand.

Use the Hold-Down Clamp (Optional Accessory) on the miter gauge for greater accuracy.



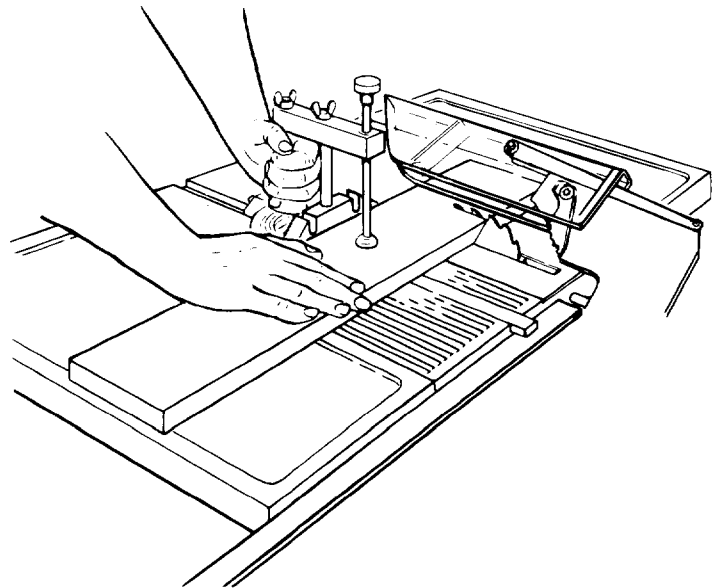
BEVEL CROSSCUTTING

BEVEL CROSSCUTTING is the same as crosscutting except that the wood is also cut at an angle . . . other than 90° with the flat side of the wood.

Adjust the blade to the desired angle.

Use the Miter Gauge in the groove to the **RIGHT** of the blade. It cannot be used in the groove to the left because the blade guard will interfere. Hold the workpiece with your right hand and the lock knob with your left hand.

Use the Hold-Down Clamp (Optional Accessory) on the miter gauge for greater accuracy.



COMPOUND MITER CUTTING

COMPOUND MITER CUTTING is a combination of miter cutting and bevel crosscutting. The cut is made at an angle other than 90° to both the edge and the flat side of the wood.

Adjust the miter gauge and the blade to the desired angle . . .
. Make sure miter gauge is locked.

USING THE RIP FENCE

RIPPING, BEVEL RIPPING, RESAWING AND RABBETING are performed using the **RIP FENCE** together with the **AUXILIARY FENCE, PUSH STICK OR PUSH BLOCK**.

WARNING: FOR YOUR OWN SAFETY, ALWAYS OBSERVE THE FOLLOWING SAFETY PRECAUTIONS IN ADDITION TO THE SAFETY INSTRUCTIONS ON PAGES 2, 3, and 4.

1. Never make these cuts **FREEHAND** (without using the rip fence or auxiliary devices when required) because the blade could bind in the cut and cause a **KICKBACK**.
2. Always lock the rip fence securely when in use.
3. Remove miter gauge from table.
4. Make sure blade guard is installed for all thru-sawing type cuts. Replace the guard **IMMEDIATELY** following completion of resawing, rabbeting, dadoing, or molding operations.

Frequently check the action of the **ANTIKICKBACK PAWLS** by passing the workpiece alongside of the spreader while saw is **OFF**.

Pull the workpiece **TOWARD** you. If the **PAWLS** do not **DIG** into the workpiece and **HOLD** it . . . the pawls must be **SHARPENED**. See "Maintenance" section.

5. Have blade extend approximately 1/8 in. above top of workpiece. Additional blade exposure would increase the hazard potential.
6. Do not stand directly in front of the blade in case of a **KICKBACK**. Stand to either side of the blade.
7. Keep your hands clear of the blade and out of the path of the blade.
8. If the blade stalls or stops while cutting, **TURN SWITCH OFF** before attempting to free the blade.
9. Do not reach over or behind the blade to pull the workpiece through the cut . . . to support long or heavy workpieces . . . to remove small cut-off pieces of material or **FOR ANY OTHER REASON**.
10. Do not pick up small pieces of cut-off material from the table. **REMOVE** them by pushing them **OFF** the table with a long stick. Otherwise they could be thrown back at you by the rear of the blade.
11. Do not remove small pieces of cut-off material that may become **TRAPPED** inside the blade guard while the saw is **RUNNING**. **THIS COULD ENDANGER YOUR HANDS** or cause a **KICKBACK**.
Turn the saw **OFF**. After the blade has stopped turning, lift the guard and remove the piece.

RIPPING

RIPPING is know as cutting a piece of wood with the grain, or lengthwise. This is done using the rip fence. Position the fence to the desired WIDTH OF RIP and lock in place.

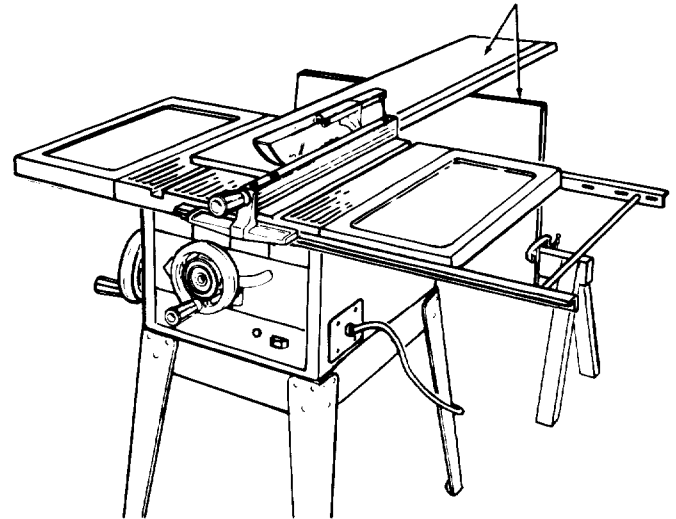
Before starting to rip, be sure

- A. Rip Fence is parallel to sawblade.
- B. Spreader is properly aligned with sawblade.
- C. Antikickback pawls are functioning properly.

When ripping LONG BOARDS or LARGE PANELS, always use a work support.

A simple one can be made by clamping a piece of plywood to a sawhorse.

ALWAYS SUPPORT LONG WORKPIECES

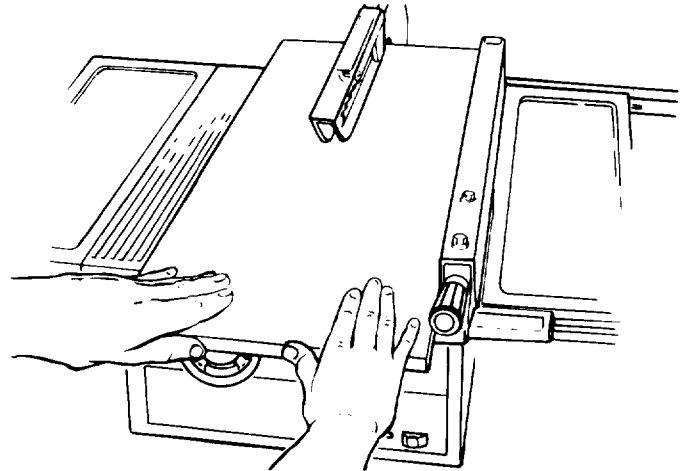


BEVEL RIPPING

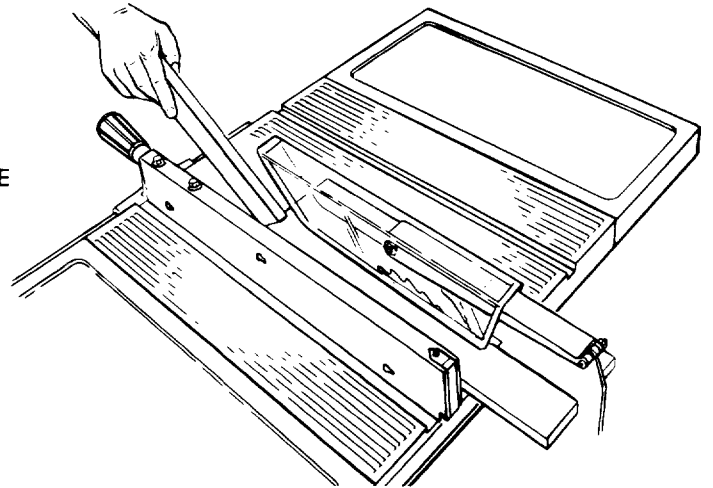
When bevel ripping material 6 in. or narrower, use fence on the right side of the blade ONLY. This will provide more space between the fence and the sawblade for use of a push stick. If the fence is mounted to the left, the sawblade guard may interfere with proper use of a push stick.

When "WIDTH OF RIP" is 6 in. and WIDER use your RIGHT hand to feed the workpiece until it is clear of the table.

Use LEFT hand ONLY to guide the workpiece . . . do not FEED the workpiece with the left hand.

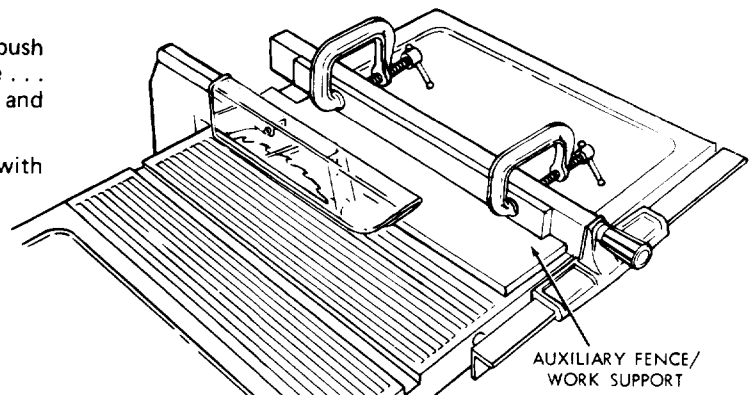


When "WIDTH OF RIP" is 2 in. to 6 in. wide USE THE PUSH STICK to feed the work.



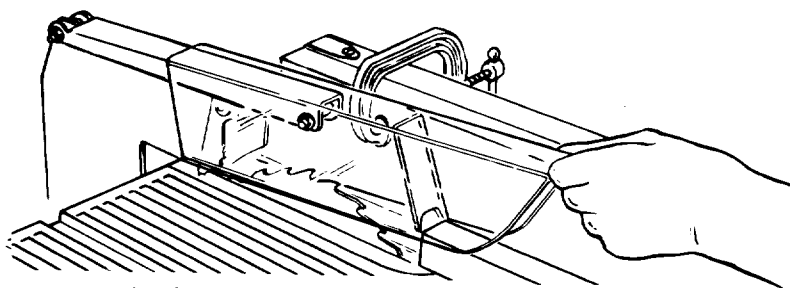
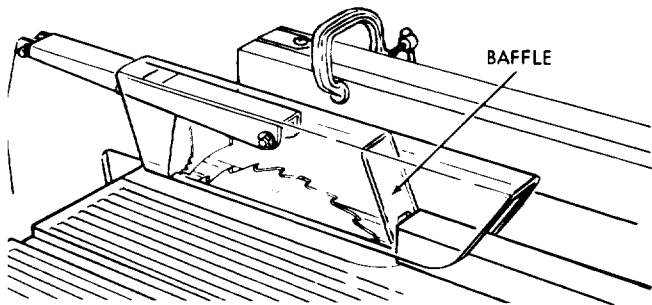
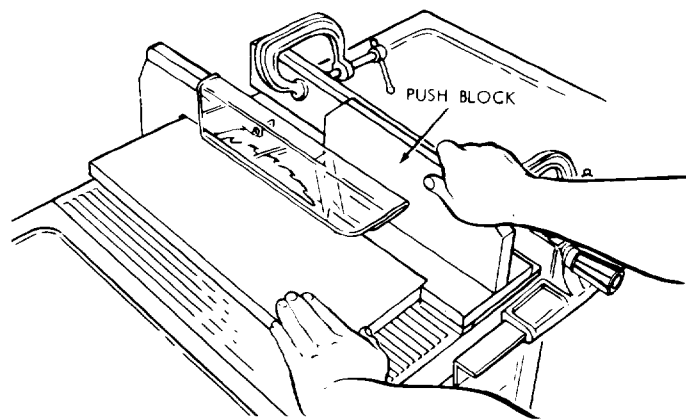
When WIDTH OF RIP is NARROWER than 2 in., the push stick CANNOT be used because the guard will interfere . . . USE the AUXILIARY FENCE/WORK SUPPORT and PUSH BLOCK.

Attach Auxiliary Fence/Work Support to rip fence with two "C" clamps.



Feed the workpiece by hand along the AUXILIARY FENCE/WORK SUPPORT until the end is approx. 1 in. past the front edge of the table. Continue to feed using the PUSH BLOCK.

Hold the workpiece in position and install the PUSH BLOCK by sliding it on top of the AUXILIARY FENCE/WORK SUPPORT (this may raise guard).



Narrow strips thicker than the Auxiliary Fence/Work Support may enter the guard and strike the baffle. CAREFULLY raise

guard only enough to clear the workpiece. Use PUSH BLOCK to complete cut.

RESAWING

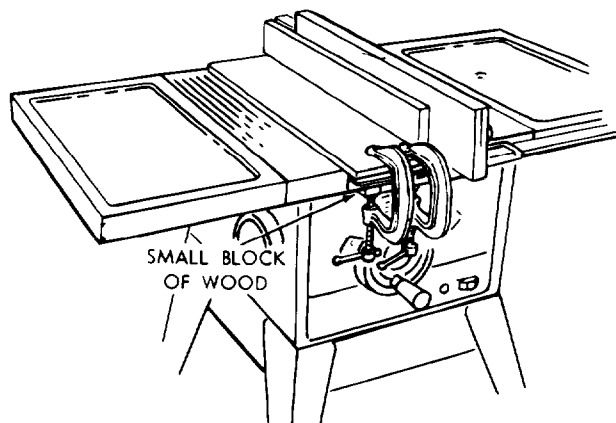
RESAWING is known as ripping a piece of wood through its thickness. Do not attempt to resaw BOWED or WARPED material. NOTE: to RESAW a piece of wood wider than 2 in. . . it will be necessary to remove the blade guard . . . and use the AUXILIARY FENCE/WORK SUPPORT (See Page 18).

Clamp it to the table so that the workpiece will SLIDE EASILY (but not TILT or MOVE SIDeways) without BINDING between the two fences.

Do not clamp directly to the bottom edge of the table because the "swivel" of the clamps will not grip properly. Place a small block of wood between the bottom edge of the table and the "C" clamps.

WARNING: FOR YOUR OWN SAFETY . . .

1. DO NOT "BACK UP" (REVERSE FEEDING) WHILE RESAWING BECAUSE THIS COULD CAUSE A KICKBACK.

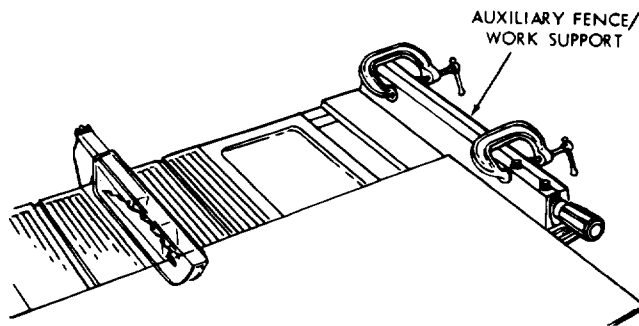


2. INSTALL BLADE GUARD IMMEDIATELY UPON COMPLETION OF THE RESAWING OPERATION.

CUTTING PANELS

When cutting panels (whenever fence is positioned outside of table surface), ALWAYS use the AUXILIARY FENCE/WORK SUPPORT.

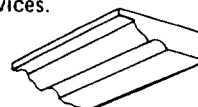
1. Unlock fence and raise rear end.
2. Position AUXILIARY FENCE/WORK SUPPORT as shown and attach it with two "C" clamps.



PLOUGHING AND MOLDING

PLOUGHING is grooving with the grain the long way of the workpiece, using the fence. USE proper holddowns and feed devices.

MOLDING is shaping the workpiece with the grain the long way of the workpiece, using the fence. Use proper holddowns and feed devices.

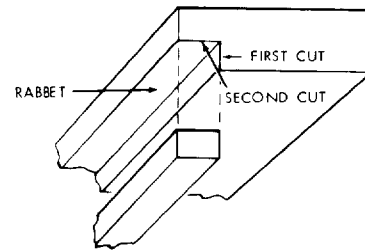


RABBETING

Rabbeting is known as cutting out a section of the corner of a piece of material, across an end or along an edge.

To make a RABBET requires cuts which do not go all the way through the material. Therefore the blade guard must be removed.

1. Remove blade guard.
2. For rabbeting along an edge (long way of workpiece) as shown, add facing to rip fence (see 4 RIP FENCE, p. 16) approximately as high as the workpiece is wide. Adjust rip fence and blade to required dimensions; then make first cut with board flat on table as any rip (type) cut; make second cut with workpiece on edge. Follow all precautions, safety instructions, and operational instructions as for ripping, or rip type operations, including feather boards and push stick, etc.
3. For rabbeting across an end, for workpiece 10½" and



narrower make the rabbet cut with the board flat on the table using the miter gage fitted with a facing (per "5. MITER GAUGE" on p. 16). DO NOT use the rip fence.

4. INSTALL BLADE GUARD IMMEDIATELY UPON COMPLETION OF RABBETING OPERATION.

Rabbet cuts can also be made using the dado head or molding head.

DADOING

Instructions for operating the Dado Head are contained in booklet furnished with the Dado Head.

The recommended Dado Head is listed, under recommended Accessories.

The arbor on the saw, is only long enough so that the widest cut that can be made is 13/16" wide.

When installing the dado head on the arbor, ALWAYS install the inside "loose collar" first.

It is not necessary to install the outside loose collar before screwing on the arbor nut. Make sure the arbor nut is tight.

ALWAYS USE DADO INSERT LISTED UNDER RECOMMENDED ACCESSORIES.

When using the dadoing head it will be necessary to remove the Blade Guard and Spreader, USE CAUTION. Use featherboards and push sticks as required.

ALWAYS REPLACE THE BLADE GUARD AND SPREADER WHEN YOU ARE FINISHED DADOING.

When using the molding head it will be necessary to remove the Blade Guard and Spreader. USE CAUTION. Use featherboards and push sticks, etc. as required.

MOLDING CUTTING

Instructions for operating the Molding Head are contained in a booklet furnished with the Molding Head.

USING FEATHERBOARDS

Add 8 inch high flat facing board to the fence, the full length of the fence.

Use featherboards for all non "thru-sawing" operations (when sawblade guard must be removed). Featherboards are used to keep the work in contact with the fence and table as shown, and to stop kickbacks.

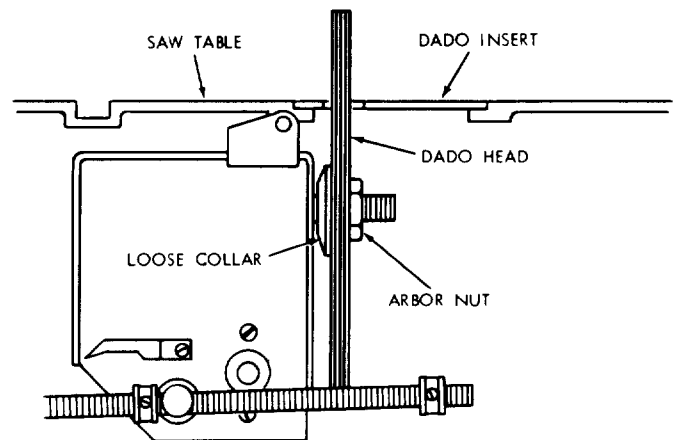
Mount featherboards to fence and table as shown, so that leading edges of featherboards will support workpiece until cut is complete, and the workpiece has been pushed completely past the cutter (sawblade, dado head, molding head, etc.) with a pushstick, as in ripping.

Before starting the operation (switch "OFF" and cutter below table surface):

- (a) Install featherboards so they exert pressure on the workpiece; be positive they are secure, and
- (b) Make sure by trial that the featherboards will stop a kickback if one should occur.

Featherboards are not employed during non thru-sawing operations when using the miter gage.

Replace the sawblade guard as soon as the non thru-sawing operation is complete.

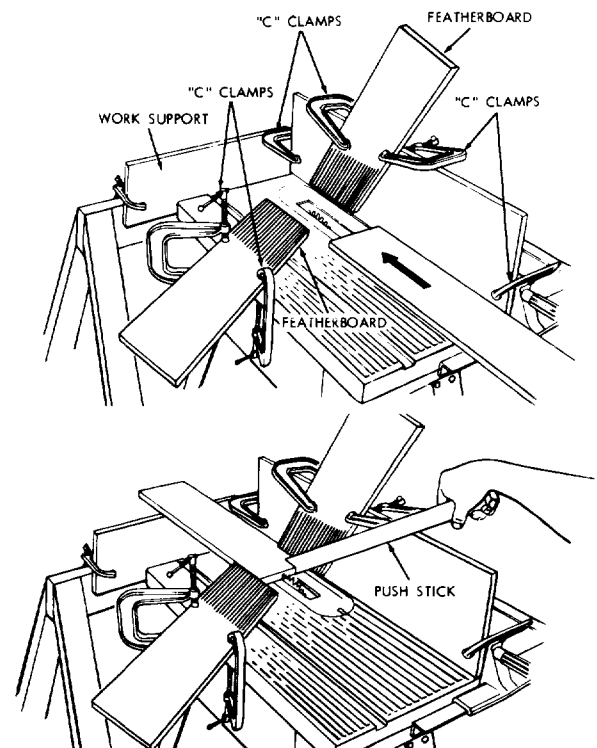


The recommended molding head is listed under recommended Accessories.

Always use Molding Insert listed under recommended Accessories.

When using the molding head it will be necessary to remove the Blade Guard and Spreader. USE CAUTION. Use featherboards and pushsticks as required.

ALWAYS REPLACE THE BLADE GUARD AND SPREADER WHEN YOU ARE FINISHED MOLDING.



ADJUSTMENTS

WARNING: FOR YOUR OWN SAFETY, TURN SWITCH "OFF" AND REMOVE PLUG FROM POWER SOURCE OUTLET BEFORE MAKING ANY ADJUSTMENTS.

MITER GAUGE

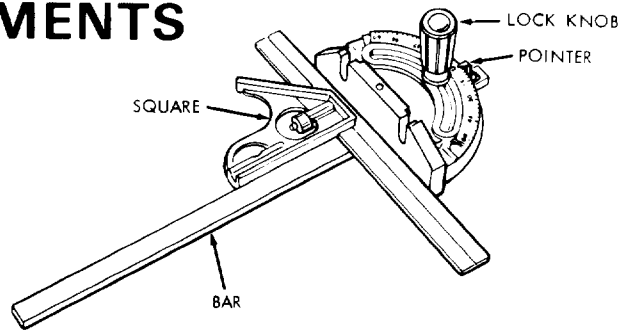
NOTE: The graduations on the miter gauge provide accuracy for average woodworking. In some cases where extreme accuracy is required, when making angle cuts, for example, make a trial cut and then recheck it with an accurate square or protractor.

If necessary, the miter gauge head can be swiveled slightly to compensate for any inaccuracy.

The HEAD should be SQUARE (90°) with the bar when the pointer points to "0".

To check for squareness, place an accurate square on the miter gauge. If the head is NOT SQUARE with the bar:

1. Loosen the lock knob.



2. Position the head square with the bar . . . tighten the lock knob.
3. Loosen the screw and adjust the pointer, so it points to zero.

The swiveling movement of the head can be adjusted by tightening or loosening the set screw located in side of the head using the 1/8 in. setscrew wrench.

HEELING ADJUSTMENT or PARALLELISM OF SAWBLADE TO MITER GAUGE GROOVE

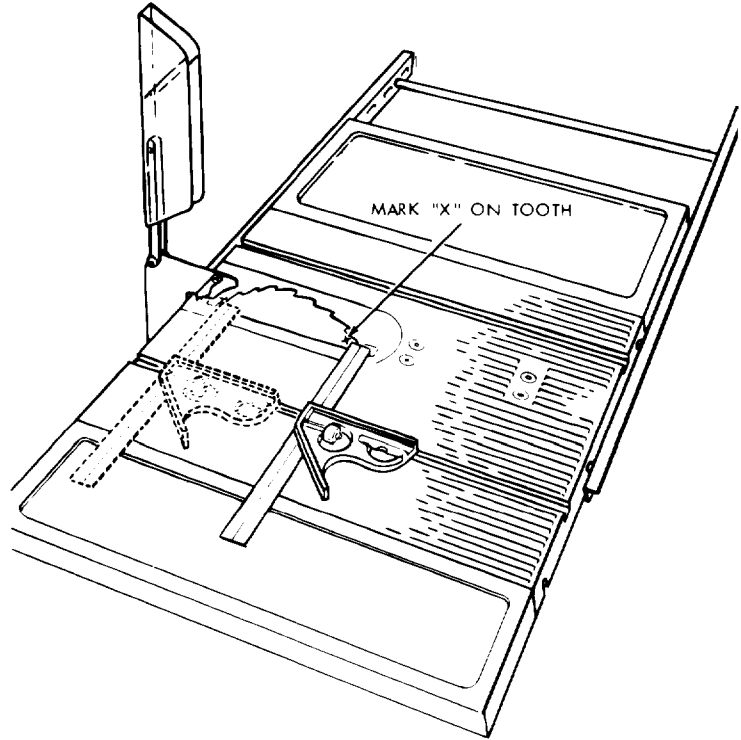
While cutting, the material must move in a straight line PARALLEL to the SAWBLADE . . . therefore both the miter gauge GROOVE and the RIP FENCE must be PARALLEL to the SAWBLADE.

If the sawblade IS NOT parallel to the miter gauge groove, the blade will bind at one end of the cut. (This is known as "HEELING").

To check for parallelism:

WARNING – FOR YOUR OWN SAFETY, TURN SWITCH "OFF" AND REMOVE PLUG FROM POWER SOURCE OUTLET.

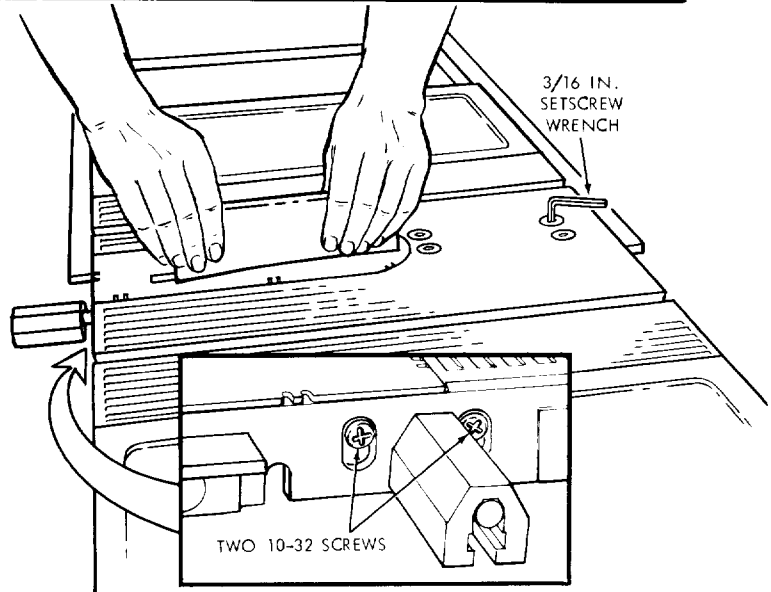
1. Raise blade all the way up . . . raise blade guard.
2. Mark an "X" on one of the teeth which is SET (bent) to the LEFT.
3. Place the head of a combination square in the GROOVE . . . adjust blade of square so that it just touches the tip of the MARKED tooth.
4. Move square to REAR, rotate blade to see if MARKED tooth again touches blade of square.
5. If tooth touches square the same amount at FRONT and REAR . . . sawblade is PARALLEL to MITER GAUGE GROOVE.



If tooth does not touch front and rear . . . the mechanism underneath must be adjusted to make the blade PARALLEL to GROOVE.

1. Loosen the 4 screws (about 1/4 to 1/2 turn) using 3/16 in. setscrew wrench furnished with saw. Also loosen the 2 pan head 10-32 screws (about 1/4 to 1/2 turn) located at rear of the table top as shown. This will allow the mechanism below the table to be shifted sideways.
2. Fold a piece of cardboard or heavy paper over the blade to protect your hands.
3. Grasp the blade and move it to the right or left a small amount and tighten one of the screws.
4. Check with square to determine if MARKED TOOTH touches square the same amount at front and rear. If it does, tighten other three screws. If it does not, loosen screw and move blade the required amount.
5. Alternately tighten the screws slowly.

NOTE: Use the setscrew wrench as shown . . . do not use a pair of pliers or any other tool to gain more leverage on the setscrew wrench.



BLADE TILT, OR SQUARENESS OF BLADE TO TABLE

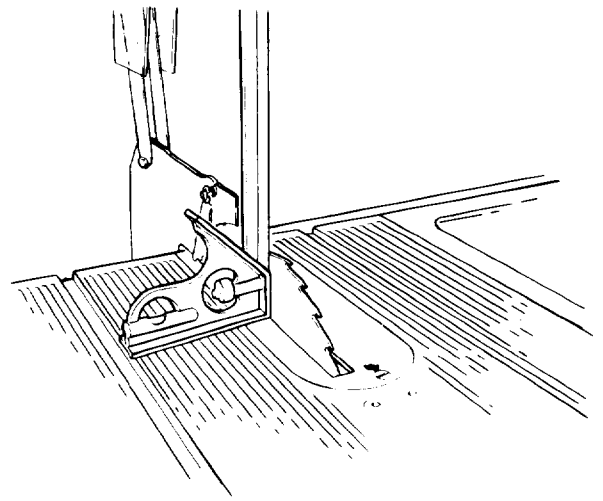
90° (SQUARE) and 45° (BEVEL) STOP COLLARS.

When the bevel pointer is pointing directly to the "0" mark on the bevel scale, the sawblade should make a SQUARE cut 90° to the table.

To check for SQUARENESS:

WARNING: FOR YOUR OWN SAFETY, TURN SWITCH "OFF" AND REMOVE PLUG FROM POWER SOURCE OUTLET.

1. Raise blade all the way UP . . . raise blade guard.
2. TILT blade a few degrees to the LEFT . . . now tilt blade back to the RIGHT as far as it will go.
3. Place the square against blade. Make sure square is not touching the TIP of one of the saw TEETH.

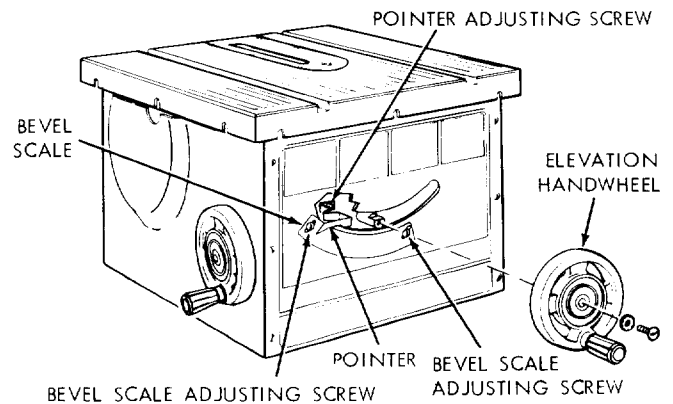


If blade IS SQUARE to table;

- A. Check pointer

If POINTER DOES NOT point to the "0" mark on the bevel scale;

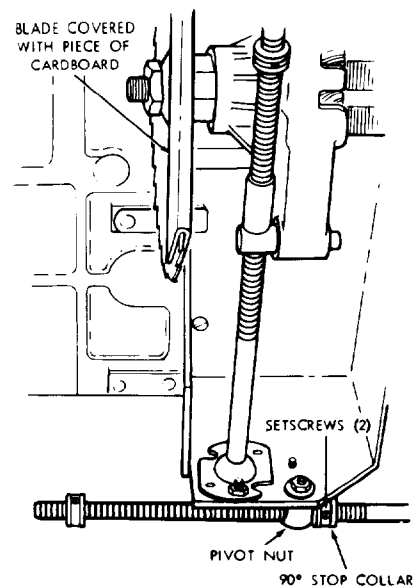
- B. Remove Elevation Handwheel
- C. Loosen screw and adjust pointer . . . using medium screwdriver.
- D. Install Elevation Handwheel



If blade is NOT SQUARE to table . . . the 90° LIMIT STOP must be ADJUSTED.

CAUTION: Cover blade with piece of cardboard to protect your hand.

1. Using a small size screwdriver, reach UNDERNEATH saw and loosen BOTH setscrews in 90° STOP COLLAR. **NOTE:** If you can't reach the setscrews, turn the TILT HANDWHEEL slightly.
2. ROTATE the STOP COLLAR moving it away from pivot nut.
3. TILT blade RIGHT or LEFT . . . checking with your square until blade is square to table.
4. ROTATE STOP COLLAR moving it toward PIVOT NUT until it TOUCHES the PIVOT NUT . . . TIGHTEN the setscrews.
5. Check POINTER, If it DOES NOT point to the "0" mark on the bevel scale;
 - A. Remove Elevation Handwheel
 - B. Loosen screw and adjust pointer . . . using medium screwdriver.
 - C. Install Elevation Handwheel



TILT blade to LEFT as far as it will go. It will stop when the PIVOT NUT is against the 45° STOP COLLAR.

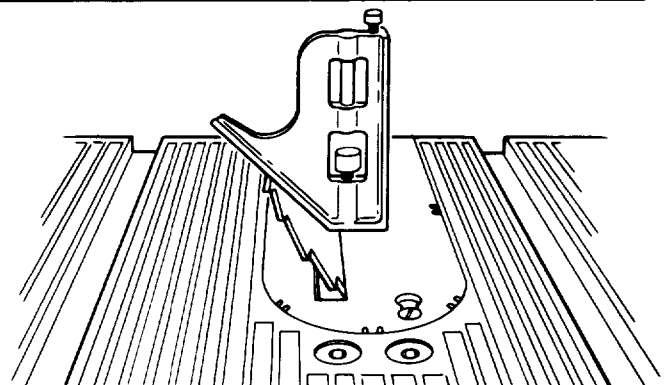
- A. Place an ACCURATE square against blade. Make sure square is not touching the TIP of one of the saw TEETH.

If blade is 45° to table;

- A. Check pointer.

If POINTER DOES NOT point to the 45° mark on the scale;

- A. Loosen two screws on scale and adjust scale until POINTER points to 45° mark.



If blade is NOT 45° to table . . . the 45° STOP COLLAR and SCALE must be ADJUSTED

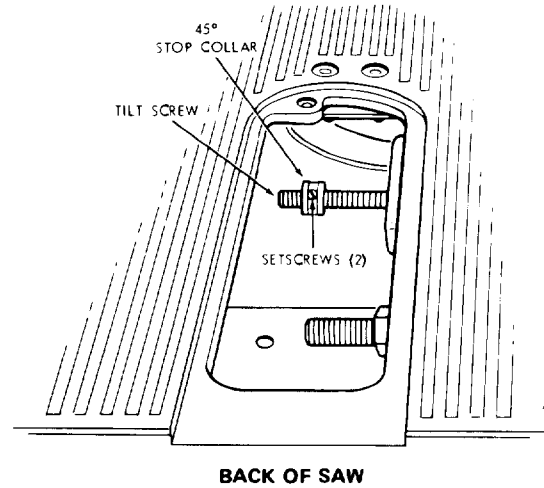
1. Remove Elevation Handwheel.
2. Using a small size screwdriver, reach thru curved slot in front trim panel and loosen BOTH setscrews in 45° STOP COLLAR.

NOTE: If you can't reach the setscrews, turn the TILT HANDWHEEL slightly.

3. ROTATE the STOP COLLAR moving it IN or OUT and TILT blade RIGHT or LEFT . . . checking with your square until blade is 45° to table.
4. TIGHTEN the setscrews.

NOTE: If you can't reach the setscrews, turn TILT HANDWHEEL slightly.

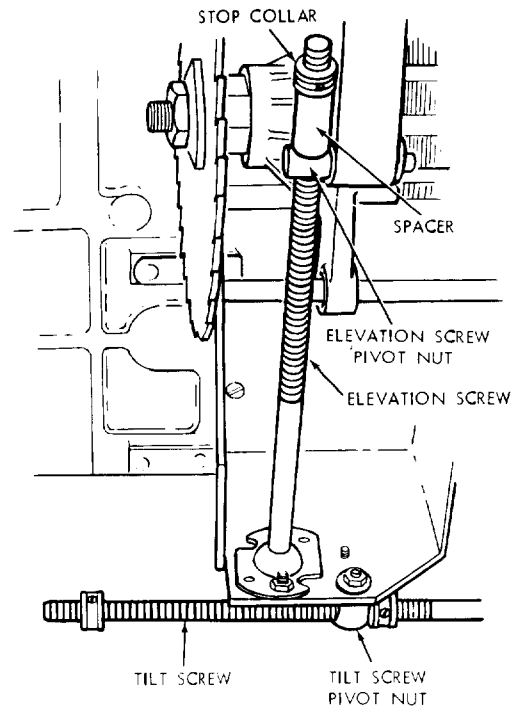
5. Loosen two screws on scale and adjust scale until POINTER points to 45° mark.
6. Install Elevation Handwheel.



BLADE ELEVATION

When the elevation handwheel is turned CLOCKWISE, until it stops, the blade must not be more than two (2) inches above the table. If the blade extends more than (2) inches, the motor could interfere with the underside of the table causing misalignment.

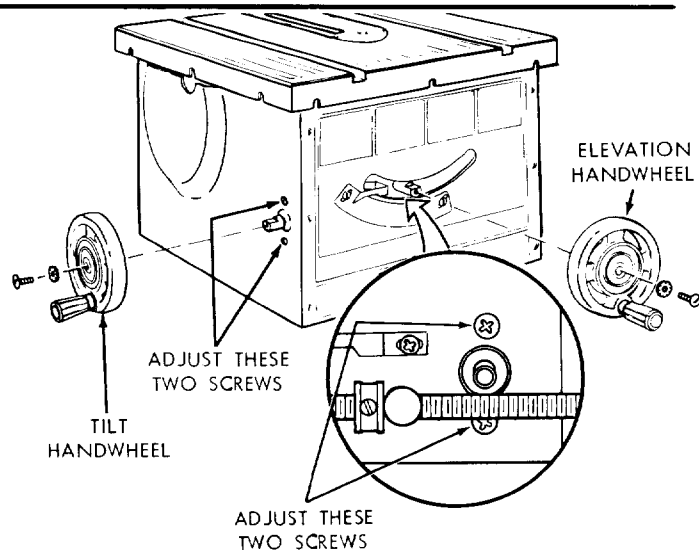
With the blade extending two (2) inches above the table, the STOP COLLAR and SPACER must be against the ELEVATION SCREW PIVOT NUT. If the blade extends more than two inches, loosen two screws in STOP COLLAR, and readjust it.



TILT AND ELEVATION MECHANISM

The HANDWHEELS should turn freely without binding. The turning action can be adjusted by tightening or loosening the screws in the bearing retainer. Both handwheels must be removed to reach the adjusting screws.

NOTE: When adjusting the screws on the TILT bearing retainer, hold the nut inside using a 3/8 in. wrench. The screws for the ELEVATION bearing retainer can be reached with a small screwdriver through the curved slot on the front of the saw.



MAINTENANCE

WARNING: FOR YOUR OWN SAFETY, TURN SWITCH "OFF" AND REMOVE PLUG FROM POWER SOURCE OUTLET BEFORE MAINTAINING OR LUBRICATING YOUR SAW.

Do not allow sawdust to accumulate inside the saw. Frequently blow out any dust that may accumulate inside the saw cabinet and the motor. Frequently clean your cutting tools with Craftsman Gum and Pitch Remover.

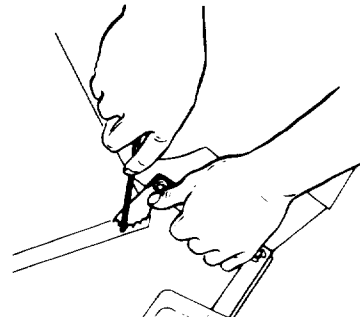
A coat of automobile-type wax applied to the table will help to keep the surface clean and allow workpieces to slide more freely.

If the power cord is worn or cut, or damaged in any way, have it replaced immediately.

Make sure the teeth of the ANTIKICKBACK pawls are always sharp. To sharpen:

1. Remove blade guard.

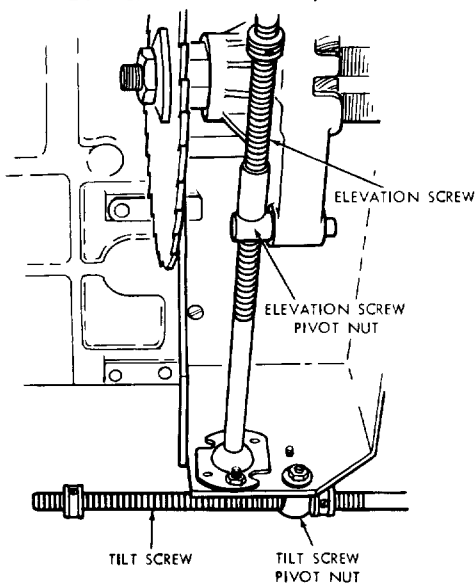
2. Rotate pawl toward rear of spreader so that teeth are above top of spreader.
3. Hold spreader with left hand and place pawl over corner of workbench.
4. Using a small round file (Smooth Cut) sharpen the teeth.



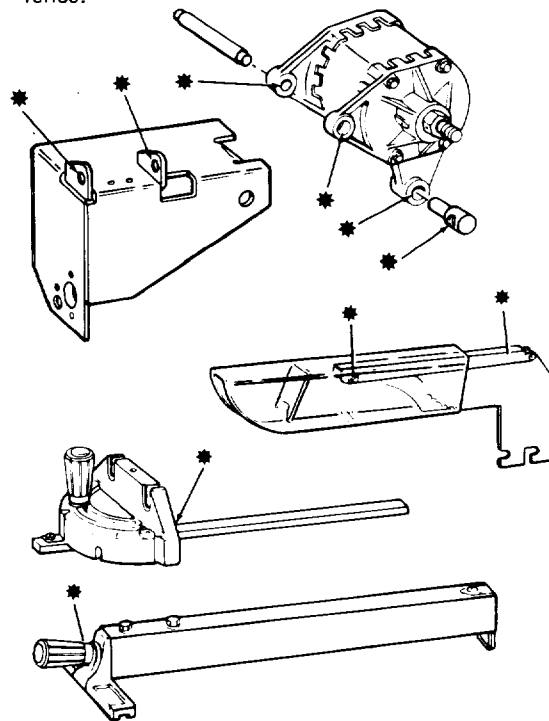
LUBRICATION

The saw motor bearings have been packed at the factory with proper lubricant and require no additional lubrication. The following parts should be oiled occasionally with SAE No. 20 or No. 30 engine oil.

1. Tilt screw threads and pivot nut. (First Clean with Craftsman Gum & Pitch Remover.)
2. Elevation screw threads and pivot nut. (First Clean with Craftsman Gum & Pitch Remover.)



3. Cradle bearing points.
4. Bearing points in guard assembly, miter gauge and rip fence.



RECOMMENDED ACCESSORIES

ITEM	CAT.NO.	ITEM	CAT.NO.
Steel Legs	9-22235	Work Light	9-2481
Steel Stand	9-22214	7 in. Dia. Adjustable Dado Head	9-3261, 9-3262 & 9-3263
Caster Sets	9-22222 or 9-22221	7 in. Dia. Dado Head	9-3257
Solid Table Extension	9-29954	Sanding Wheel	9-2274
*7 in. Molding Head Set	9-3217 9-3218	Miter-Gauge Stop Rods	9-29924
*7 in. Molding Head	9-3214	Miter-Gauge Hold-Down Clamp	9-29928
Molding/Dado Insert for 7 in		Taper Jig	9-3233
Dia. Molding or dado Head	9-29933	Universal Jig	9-3231
Work Light	9-2480	"Power Tool Know How Handbook" Table Saw	9-2918

*Smaller Dia. Molding Heads cannot be used because they do not provide adequate depth of cut.

The above recommended accessories are current and were available at the time this manual was printed.

TROUBLE SHOOTING

WARNING: FOR YOUR OWN SAFETY, TURN SWITCH "OFF" AND ALWAYS REMOVE PLUG FROM POWER SOURCE OUTLET BEFORE TROUBLESHOOTING.

TROUBLE SHOOTING -- GENERAL

TROUBLE	PROBABLE CAUSE	REMEDY
Excessive vibration.	1. Blade out of balance.	1. Discard Blade and use a different blade.
Cannot make square Cut when crosscutting.	1. Miter gauge not adjusted properly.	1. See "Adjustments" section "Miter Gauge."
Cut binds, burns or stalls motor when ripping.	1. Dull blade with improper tooth set. 2. Blade is Heeling. 3. Warped board. 4. Rip fence not parallel to blade. 5. Spreader out of alignment	1. Sharpen or replace blade. 2. See "Adjustments" section, "Heeling Adjustment . . ." 3. Make sure concave or hollow side is facing "down," feed slowly. 4. See "Assembly" section, "Aligning Rip Fence" 5. See "Assembly" section, "Installing Blade Guard."
Cut not true at 90° or 45° positions.	1. Stop collars not properly adjusted.	1. See "Adjustments" section, "Blade Tilt, or "Squareness of Blade to Table."
Tilt and elevating handwheels turn hard.	1. Sawdust on threads of tilt screw or elevating screw. 2. Bearing retainers to tight.	1. See "Maintenance and Lubrication" section. 2. See "Maintenance" section "Tilt and Elevation Mechanism."

TROUBLE SHOOTING -- MOTOR

NOTE: Motors used on wood-working tools are particularly susceptible to the accumulation of sawdust and wood chips and should be blown out or "vacuumed" frequently to prevent interference with normal motor ventilation.

NOTE: The starting relay is a GRAVITY SENSITIVE TYPE. NEVER TURN THE POWER ON WHILE THE SAW IS UPSIDE DOWN AS THIS WILL DAMAGE THE MOTOR.

TROUBLE	PROBABLE CAUSE	REMEDY
Excessive noise.	1. Motor.	1. Have motor checked by qualified service technician. Repair service is available at your nearest Sears store.
Motor fails to develop full power. (Power output of motor decreases rapidly with decrease in voltage at motor terminals. For example, a reduction of 10% in voltage causes a reduction of 19% in maximum power output of which the motor is capable, while a reduction of 20% in voltage causes a reduction of 36% in maximum power output.)	1. Circuit overloaded with lights, appliances and other motors. 2. Undersize wires or circuit too long. 3. General overloading of power company facilities. (In some sections of the country, demand for electrical power may exceed the capacity of existing generating and distribution systems.) 4. Incorrect fuses or circuit breakers in power line.	1. Do not use other appliances or motors on same circuit when using the saw. 2. Increase wire sizes, or reduce length of wiring. See "Motor Specification and Electrical Requirements" section. 3. Request a voltage check from the power company. 4. Install correct fuses or circuit breakers.

TROUBLE SHOOTING -- MOTOR (Continued)

TROUBLE	PROBABLE CAUSE	REMEDY
Motor starts slowly or fails to come up to full speed.	<ol style="list-style-type: none"> 1. Low voltage will not trip relay. 2. Windings burned out or open. 3. Starting relay not operating. 	<ol style="list-style-type: none"> 1. Request voltage check from the power company. 2. Have motor repaired or replaced. 3. Have relay replaced.
Motor overheats.	<ol style="list-style-type: none"> 1. Motor overloaded. 2. Improper cooling. (Air circulation restricted through motor due to sawdust, accumulating inside of saw). 	<ol style="list-style-type: none"> 1. Feed work slower into blade. 2. Clean out sawdust to provide normal air circulation through motor. See "Maintenance and Lubrication" section.
Starting relay will not operate.	<ol style="list-style-type: none"> 1. Burned relay contacts (due to extended hold-in periods caused by low line voltage, etc.) 2. Saw not in upright position. 3. Loose or broken connections. 	<ol style="list-style-type: none"> 1. Have relay replaced and request a voltage check from the power company. 2. Place saw in upright position. 3. Have wiring checked and repaired.
Motor stalls (resulting in blown fuses or tripped circuit breakers).	<ol style="list-style-type: none"> 1. Starting relay not operating. 2. Voltage too low to permit motor to reach operating speed. 3. Fuses or circuit breakers do not have sufficient capacity. 	<ol style="list-style-type: none"> 1. Have relay replaced. 2. Request voltage check from the power company. 3. Install proper size fuses or circuit breakers.
Frequent opening of fuses or circuit breakers.	<ol style="list-style-type: none"> 1. Motor overloaded. 2. Fuses or circuit breakers do not have sufficient capacity. 3. Starting relay not operating (motor does not reach normal speed). 	<ol style="list-style-type: none"> 1. Feed work slower into blade. 2. Install proper size fuses or circuit breakers. 3. Have relay replaced.

PARTS LIST FOR CRAFTSMAN 9 INCH MOTORIZED SAW
 MODEL NO. 113.242700 & 113.242720

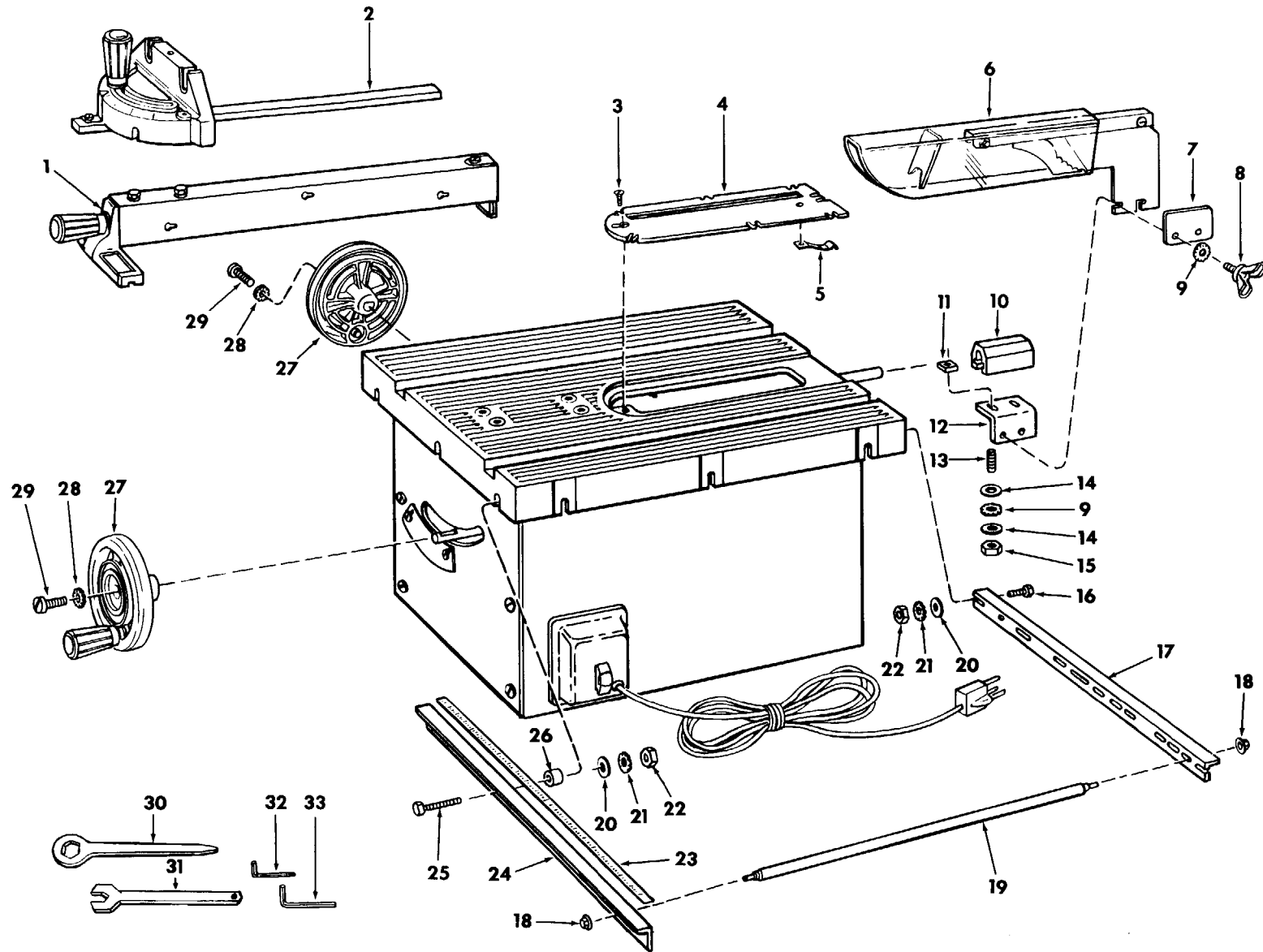


Figure 1

**PARTS LIST FOR CRAFTSMAN 9 INCH MOTORIZED SAW
MODEL NO. 113.242700 & 113.242720**

Always order by Part Number – not by Key Number.

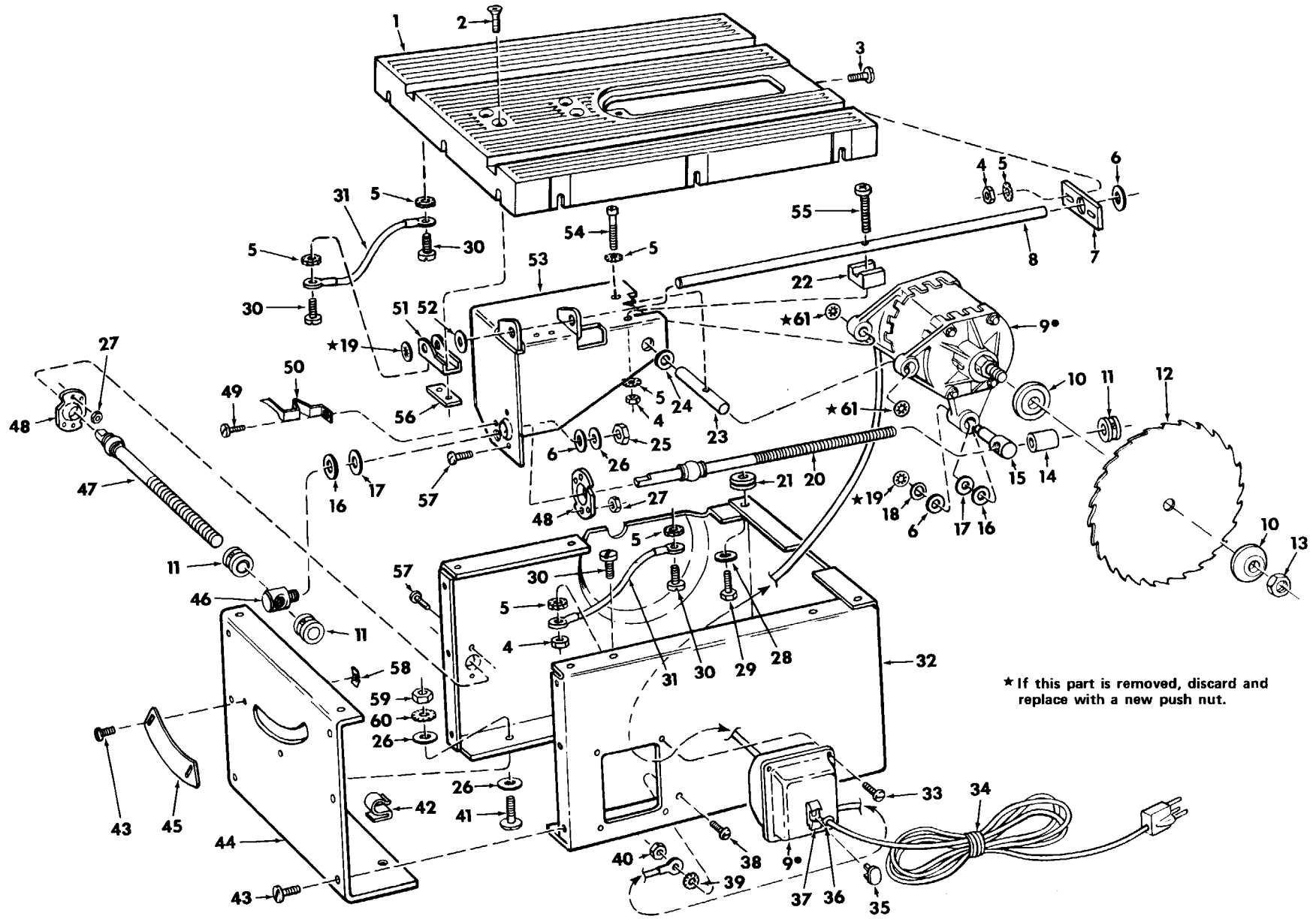
FIGURE 1 PARTS LIST

Key No.	Part No.	Description
1	62782	Fence Assembly, Rip (See Figure 3)
2	62694	Gauge Assembly, Miter (See Figure 4)
3	447441	Screw, Flat Hd. Type "T" 10-32 x 7/8
4	62635	Insert Assembly (Includes Key No. 5)
5	62545	Clip, Retaining
6	62637	Guard Assembly (See Figure 5)
7	62643	Clamp, Spreader
8	30540	Screw, Wing 1/4-20 x 1/2
9	STD 551225	*Lockwasher, External Tooth 1/4
10	62642	Support, Spreader
11	62636	*Nut, Square 1/4-20
12	62644	Bracket
13	139331	Screw, Set Hex Cup 1/4-20 x 7/8
14	STD 551012	*Washer, 17/64 x 9/16 x 1/16
15	STD 541025	*Nut, Hex 1/4-20
16	STD 523110	Screw, Hex Hd. 5/16-18 x 1
17	62797	Bar, Fence Rear
18	60388	Nut, Self Threading

Key No.	Part No.	Description
19	62770	Rod, Separation (Includes Key No. 18)
20	STD 551031	Washer, 21/64 x 5/8 x 1/16
21	STD 551231	*Lockwasher, External Tooth 5/16
22	STD 541231	*Nut, Hex 5/16-18
23	62710	Tape, Fence
24	62709	Bar Assembly, Fence Guide (Includes Key No. 23)
25	STD 523115	*Screw, Hex 5/16-18 x 1-1/2
26	62539	Spacer, Fence Guide Bar
27	62689	Handwheel Assembly
28	STD 551210	Lockwasher, External No. 10
29	STD 511107	Screw, Pan Hd. 10-32 x 3/4
30	3540	Wrench, Arbor
31	63062	Wrench, Shaft
32	30505	Wrench, Hex "L" 1/8
33	37911	Wrench, Hex "L" 3/16
–	62768	Bag of Loose Parts (Not Illustrated)
–	62769	Bag of Loose Parts (Noth Illustrated)
–	62789	Owners Manual (Not Illustrated)

*Standard Hardware Item – May be Purchased Locally.

PARTS LIST FOR CRAFTSMAN 9 INCH MOTORIZED SAW
 MODEL NO. 113.242700 & 113.242720



* If this part is removed, discard and replace with a new push nut.

Figure 2

32

**PARTS LIST FOR CRAFTSMAN 9 INCH MOTORIZED SAW
MODEL NO. 113.242700 & 113.242720**

FIGURE 2 PARTS LIST

Key No.	Part No.	Description
1	62628	Table, Saw
2	805297-1	Screw, Flat 5/16-18 x 1-1/4
3	STD 511107	*Screw, Pan Hd. 10-32 x 3/4
4	STD 541110	*Nut, Hex No. 10-32
5	STD 551210	*Lockwasher, External Tooth No. 10
6	62648	Washer, Rubber
7	62629	Support, Rod
8	62802	Rod, Cradle
9	62626	•Motor and Control Box
10	62498	Collar, Blade
11	62683	Collar, Stop L.H.
12	60169	+Blade, Saw 9 inch
13	6362	Nut, Arbor
14	60303	Spacer
15	62681	Nut, Elevation Pivot
16	60328	Washer, Nylon
17	62647	Washer, Rubber
18	STD 551037	*Washer, 13/32 x .625 x .062
19	60301	*Ring Retaining
20	62682	Screw, Elevation
21	62649	Grommet, Rubber
22	62792	Spacer, Cradle Rod
23	62796	Rod, Motor (Includes #61)
24	60076	Washer, .505 x 1-1/8 x 1/16
25	STD 541425	*Nut, Lock 1/4-20
26	STD 551025	*Washer 17/64 x .734 x .062
27	STD 541110	*Nut, Lock 10-32
28	STD 551031	*Washer 21/64 x 3/4 x 1/16
29	STD 523110	*Screw, Hex Washer 5/16-18 x 1
30	STD 601103	*Screw, Pan Hd. Type "T" 10-32 x 3/8
31	62487	Lead with Eyelets

Key No.	Part No.	Description
32	62633	Base, Saw
33	STD 600603	*Screw, Type "T" Pan No. 6-32 x 3/8
34	62196	Cord w/Plug
35	60256	Key
36	37818	Relief, Strain
37	62442	Switch, Locking
38	STD 600805	Screw, Pan No. 8-32 x 1/2
39	STD 551208	Lockwasher, External Tooth No. 8
40	STD 541008	Nut, Hex 8-32
41	60314	Screw, Truss 1/4-20 x 5/8
42	62204	Clip, Cord
43	STD 610805	*Screw, Type "AB" Pan N8 x 1/2
44	62687	Panel, Front
45	62688	Scale, Adjustable Bevel
46	62685	Nut, Bevel Pivot
47	62684	Screw, Tilt
48	62437	Retainer, Bearing
49	STD 600803	*Screw, Type "T" Pan 8-32 x 3/8
50	62686	Indicator, Bevel
51	62625	Hanger
52	62435	Washer, Thrust 3/8 x 5/8 x 1/16
53	62623	Cradle Assembly
54	60052	*Screw, Fillister Hd. 10-32 x 1-1/2
55	9404392	Screw, Pan No. 10-32 x 1-3/8
56	62436	Nut
57	STD 511105	Screw, Pan Hd. 10-32 x 1/2
58	60354	Nut, Speed No. 8
59	STD 541025	Nut, Hex 1/4-20
60	STD 551225	*Lockwasher, External Tooth 1/4
61	60436	*Ring, Retaining

* Standard Hardware Item — May be Purchased Locally.

• Any attempt to repair this motor may create a HAZARD unless repair is done by a qualified service technician. Repair service is available at your nearest Sears Store.

+ Stock Item — May be secured through the hardware departments of most Sears Retail Stores or Catalog Order Houses.

* If this part is removed, discard and replace with a new retaining ring.

**PARTS LIST FOR CRAFTSMAN 9 INCH MOTORIZED SAW
MODEL NO. 113.242700 & 113.242720**

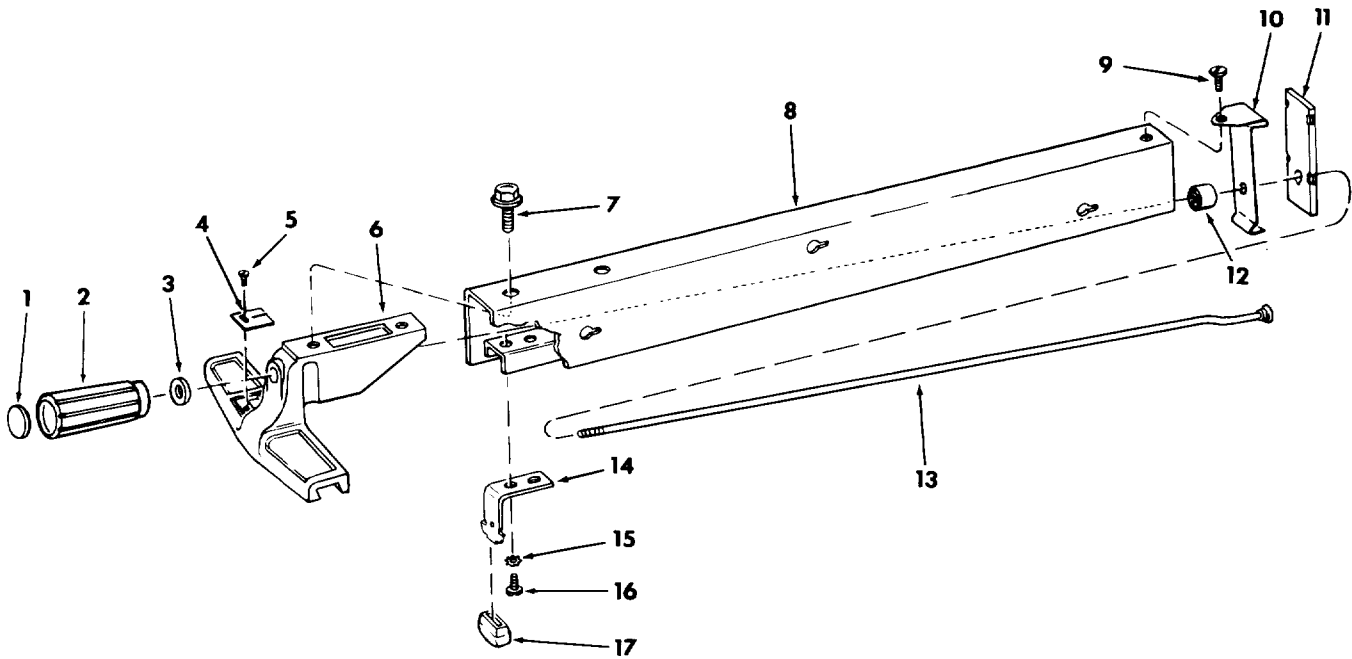


FIGURE 3 – 62782 FENCE ASSEMBLY

Key No.	Part No.	Description
—	62782	Fence Assembly, Rip
1	62693	Plug, Button
2	62692	Knob (Includes Key No. 1)
3	STD 551031	*Washer, 21/64 x 1/2 x 1/32
4	62775	Indicator, Fence
5	9404336	*Screw, Pan Hd. Type "T" 4-40 x 1/4
6	62774	Head, Fence Includes Key #4
7	423350	Screw, Sems 3/8-16 x 1/2
8	62526	Channel, Fence
9	STD 600805	Screw, Pan Hd. Type "T" 8-32 x 1/2
10	62528	Spring, Fence Lock
11	62529	Lock, Rear Fence
12	62531	Roller, Rear Fence
13	62530	Rod, Fence Lock
14	62533	Spring, Head Alignment (Includes Key No. 17)
15	STD 551210	*Lockwasher, External Tooth No. 10
16	STD 611005	*Screw, Type "A" Hex Hd. No. 10 x 1/2
17	62532	Pad, Alignment

*Standard Hardware Item – May be Purchased Locally.

PARTS LIST FOR CRAFTSMAN 9 INCH MOTORIZED SAW
MODEL NO. 113.242700 & 113.242720

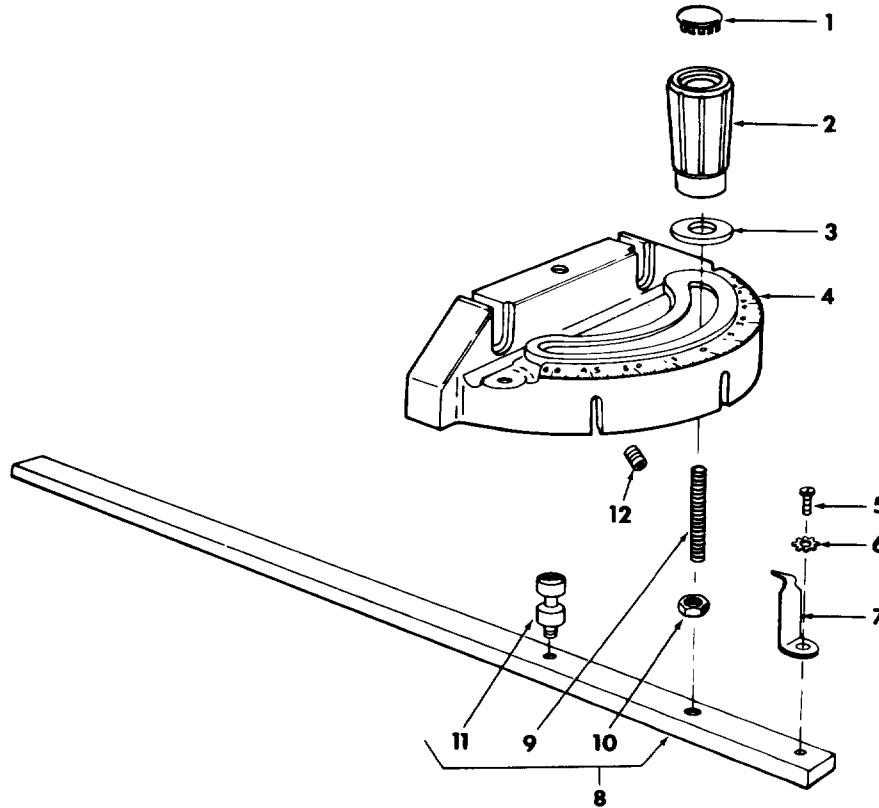
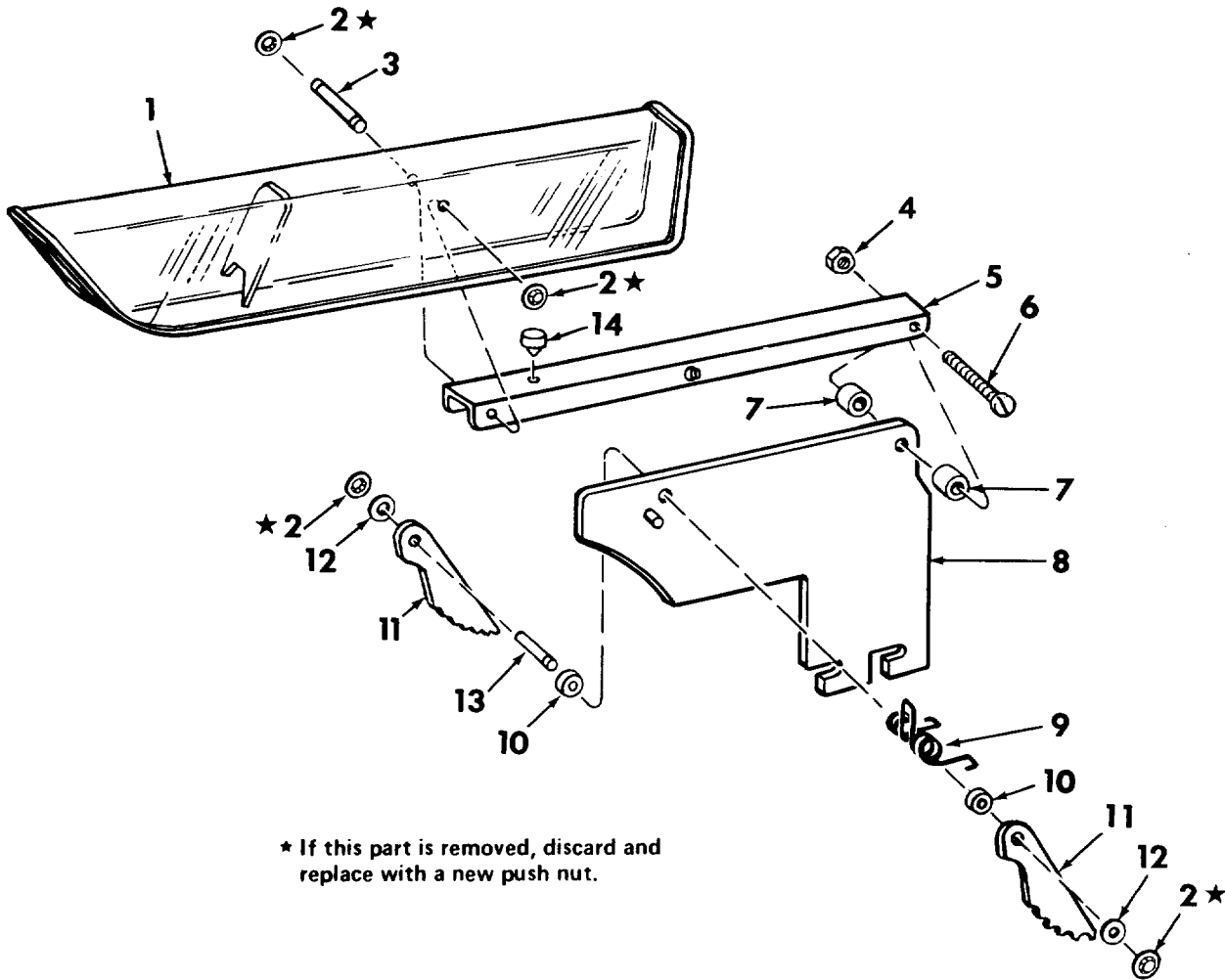


FIGURE 4 – 62694 MITER GAUGE ASSEMBLY

Key No.	Part No.	Description
—	62694	Miter Gauge Assembly
1	62693	Plug, Button
2	62692	Knob (Includes Key No. 1)
3	STD 551031	*Washer, 21/64 x 1 x 1/16
4	37893	Gauge, Miter
5	STD 600803	*Screw, Pan Head Type "T" 8-32 x 5/16
6	STD 551208	*Lockwasher, External No. 8
7	62042	Indicator
8	62252	Rod Asm., Miter Gauge (Includes Key No. 9, 10, 11)
9	62225	Stud, Clamp
10	STD 541231	*Nut, Hex Jam 5/16-18
11	62383	Stud, Pivot
12	60288	Screw, Locking Set, 1/4-20 x 3/8

*Standard Hardware Item – May be Purchased Locally.

**PARTS LIST FOR CRAFTSMAN 9 INCH MOTORIZED SAW
MODEL NO. 113.242700 & 113.242720**



* If this part is removed, discard and replace with a new push nut.

FIGURE 5 – 62637 BLADE GUARD ASSEMBLY

Key No.	Part No.	Description
—	62637	Guard Assembly
1	62415	Guard
2	60297	*Nut, Push
3	62390	Pin, Guard
4	STD 541425	*Nut, Lock 1/4-20
5	62599	Link, Guard
6	STD 512515	*Screw, Pan Hd. 1/4-20 x 1-1/2
7	62522	Spacer, Link
8	62638	Spreader
9	62519	Spring, Pawl
10	62520	Spacer, Pawl
11	62412	Pawl
12	STD 551012	*Washer, 17/64 x 1/2 x 1/32
13	62410	Pin
14	62650	Bumper-Snap In

* Standard Hardware Item – May be Purchased Locally.

**PARTS LIST FOR CRAFTSMAN 9 INCH MOTORIZED SAW
MODEL NO. 113.242700 & 113.242720**

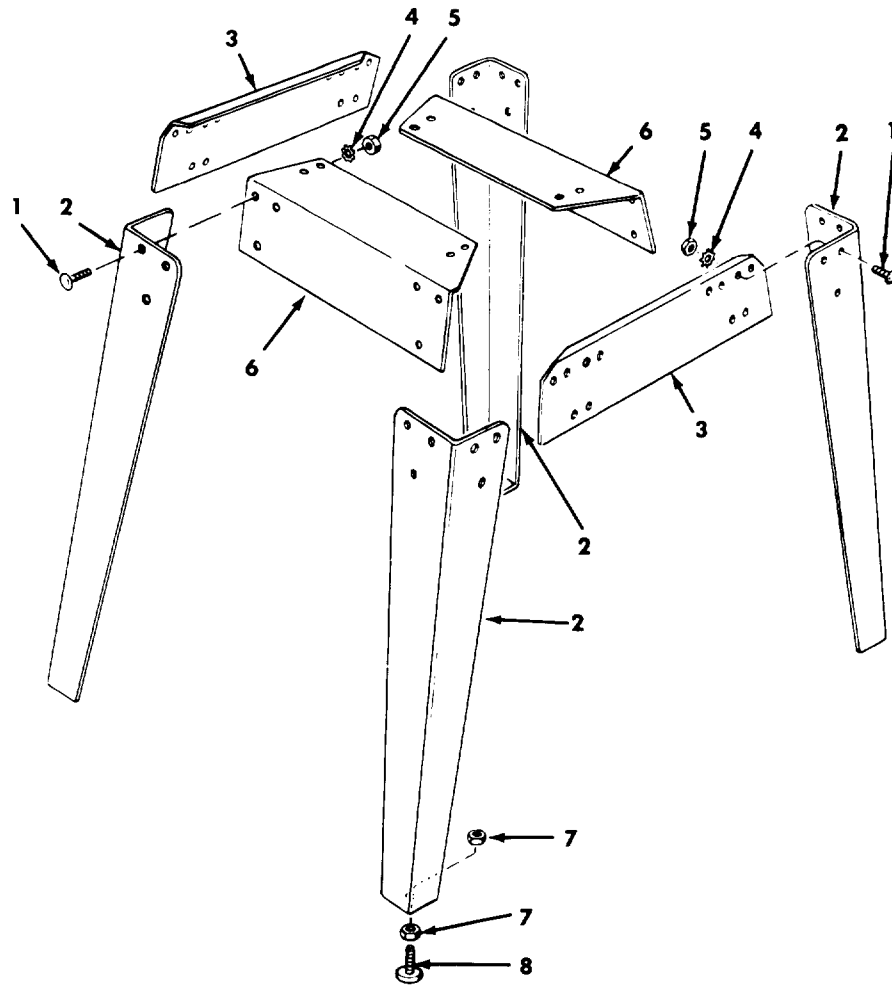


FIGURE 6 – MODEL 113.242720 ONLY

Key No.	Part No.	Description
1	60314	Screw, Serrated Truss Hd. 1/4-20 x 5/8
2	62552	Leg
3	62554	Stiffener, Side
4	STD 551225	*Lockwasher, Ext. 1/4
5	STD 541025	*Nut, Hex 1/4-20
6	62553	Stiffener, End
7	STD 541250	*Nut, Hex 1/2-13
8	803835	Foot, Leveling
	62767	†Bag of Loose Parts (not illustrated)

* Standard Hardware Items – May be Purchased Locally.

† Bag contains all Loose Parts for Legs.



**PARTS LIST FOR CRAFTSMAN 9 INCH MOTORIZED SAW
MODEL NO. 113.242700 & 113.242720**

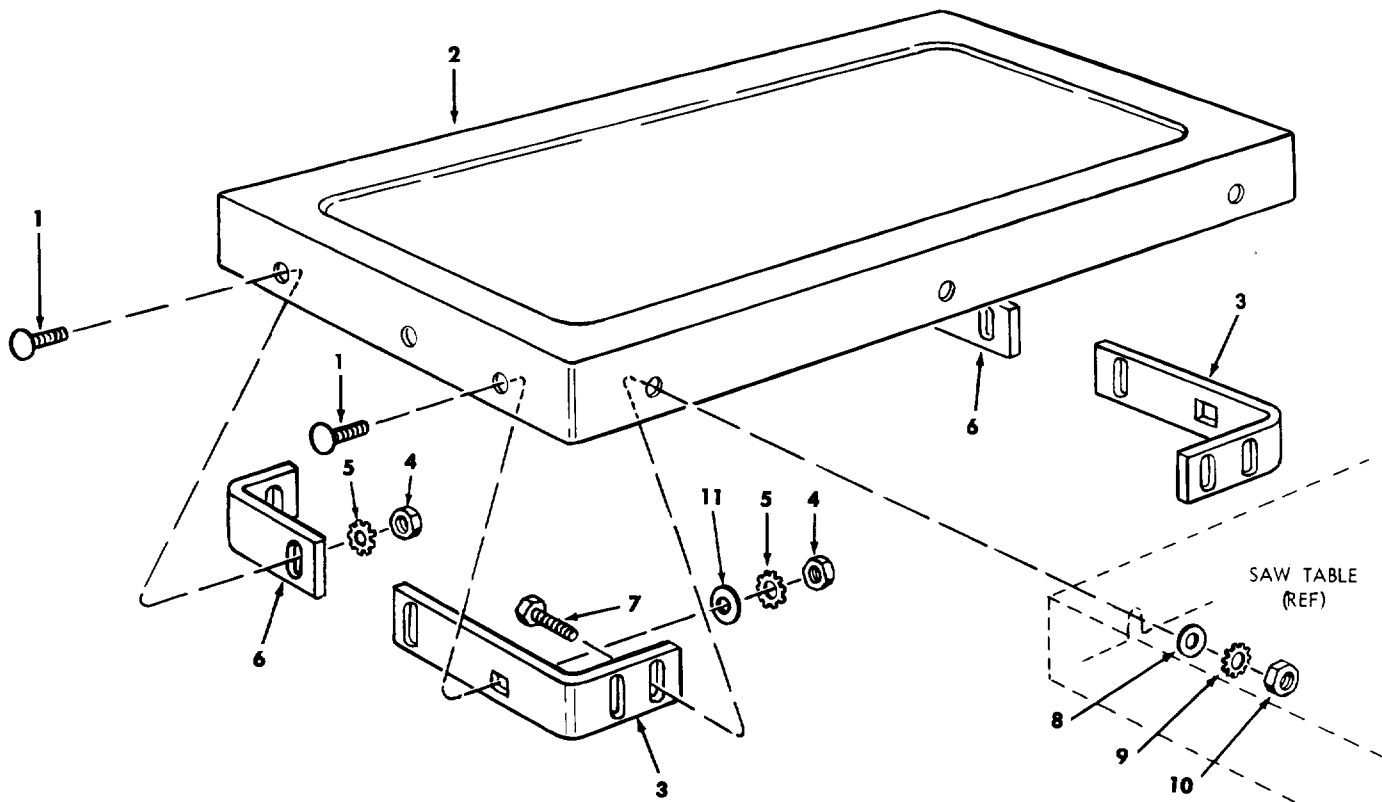


FIGURE 7 – TABLE EXTENSION FOR MODEL 113.242720 ONLY

Key No.	Part No.	Description
—	62546	†Extension Assembly, Complete
1	60323	Screw, Serrated Truss Hd. 1/4-20 x 1"
2	62547	Extension
3	62549	Bracket, Corner Support No. 2
4	STD541025	*Nut, Hex 1/4-20
5	STD551225	*Lockwasher, Ext. 1/4
6	62550	Bracket, Corner Stiffener
7	STD523112	*Screw, Hex Hd. 5/16-18 x 1-1/4
8	STD551031	*Washer, 11/32 x 11/16 x 1/16
9	STD551131	*Lockwasher, Ext. 5/16
10	STD541031	*Nut, Hex 5/16-18
11	STD551025	Washer, 17/64 x 3/4 x 1/16
	62745	†Bag of Loose Parts (not illustrated)

*Standard Hardware Item--May be Purchased Locally.

+Bag contains all Loose Parts for Extension.

†Stock Item--May be secured through the hardware departments of most Sears Retail Stores or Catalog Order House.

Sears

*owners
manual*

SERVICE

**MODEL NO.
113.242700**

SAW ONLY

113.242720

SAW WITH LEGS AND
TWO TABLE EXTENSIONS

HOW TO ORDER REPAIR PARTS

9 INCH MOTORIZED TABLE SAW

Now that you have purchased your 9 inch motorized table saw should a need ever exist for repair parts or service, simply contact any Sears Service Center and most Sears, Roebuck and Co. stores. Be sure to provide all pertinent facts when you call or visit.

The model number of your 9 inch motorized table saw will be found on a plate attached to your saw, at the right-hand side of the base.

WHEN ORDERING REPAIR PARTS, ALWAYS GIVE THE FOLLOWING INFORMATION:

PART NUMBER

PART DESCRIPTION

MODEL NUMBER

NAME OF ITEM

113.242700

9 INCH MOTORIZED TABLE SAW

113.242720

All parts listed may be ordered from any Sears Service Center and most Sears stores. If the parts you need are not stocked locally, your order will be electronically transmitted to a Sears Repair Parts Distribution Center for handling.

Sold by SEARS, ROEBUCK AND CO., Chicago, IL. 60684 U.S.A.