



Range Hood Instruction Manual

FRHWM5029-30



IMPORTANT:
READ AND SAVE THESE INSTRUCTIONS

NOTICE:

Installer: Leave this guide with the homeowner
Homeowner: Keep this guide for future reference

STAINLESS STEEL PROFESSIONAL RANGE HOOD

Customer Care

Thank you for purchasing a FORNO product. Please read the entire instruction manual before operating your new appliance for the first time. Whether you are an occasional cook or an expert chef, it will be beneficial to familiarize yourself with the safety practices, features, operation and care recommendations of your cooking range. Both the model and serial number are listed in the front panel of the product. For warranty purposes, you will also need the date of purchase. Record this information below for future reference.

SERVICE INFORMATION

Model Number

Use these numbers in any correspondence or service calls concerning your product.

Serial Number

If you received a damaged product, immediately contact the dealer (or builder) that sold you the product.

Date of Purchase

Save time and money. Before you call for service, check the Troubleshooting Guide. It lists the causes of minor operating problems that you can correct yourself.

Purchase Address & Phone

SERVICE IN CANADA:

Keep the instruction manual handy to answer your questions. If you don't understand something or you need more assistance, please call our Customer Service: 1-800-561-7265

Or email: service@distinctive-online.com

SERVICE IN THE UNITED STATES:

Keep the instruction manual handy to answer your questions. If you don't understand something or you need more assistance, please call our Customer Service: 1-866-231-8893

Or email: info@forno.ca

If your product ever requires servicing, be sure to use a FORNO Factory Certified Service provider recommended by our customer care center. All Factory Certified Service providers are carefully selected and thoroughly trained by us.

RECOMMENDATIONS AND SUGGESTIONS

WARNING

1. Before servicing or cleaning unit, unplug or disconnect the rangehood from the power supply.

2. TO REDUCE THE RISK OF A RANGE TOP GREASE FIRE:

A. Never leave surface units unattended at high settings. Boilovers cause smoking and greasy spillovers that may ignite. Heat oils slowly on low or medium settings.

B. Always turn rangehood ON when cooking at high heat or when flambeing food (i.e. Crepes Suzette, Cherries Jubilee, Peppercorn Beef Flambe’).

C. Clean ventilation fans frequently. Grease should not be allowed to accumulate on fan or filter.

D. Use a pan of the proper size. Always use cookware of an appropriate size for the element.

3. TO REDUCE THE RISK OF INJURY TO PERSONS IN THE EVENT OF A RANGE TOP GREASE FIRE, TAKE THE FOLLOWING PRECAUTIONS:

A. SMOTHER FLAMES with a tight-fitting lid, cookie sheet, or metal tray, then turn off the burner. BE CAREFUL TO PREVENT BURNS. If the flames do not go out immediately, EVACUATE AND CALL THE FIRE DEPARTMENT.

B. NEVER PICK UP A FLAMING PAN – You may get burned.

C. DO NOT USE WATER, including wet dishcloths or towels – a violent steam explosion will result.

D. Use an extinguisher ONLY if:

1) You know you have a Class ABC extinguisher, and you already know how to operate it.

2) The fire is small and contained in the area where it started.

3) The fire department is being called.

4) You can fight the fire with your back to an exit.

4. To reduce the risk of fire or electric shock, do not use this fan with any solid-state speed Control device.

5. To provide protection against electric shock, connect to properly grounded outlets only.

CAUTION: For general ventilation use only. Do not use to exhaust hazardous or explosive materials and vapours.

FEATURES

The range hood is designed for a designer's kitchen with the range hood installed directly above cooking appliances against a wall. This hood is a focal point and show piece in your kitchen, while providing you with the benefit of extracting the grease and smoke from your cooking.

Please refer to the instructions below

INSTALLATION & USE

WARNING

1. TO REDUCE THE RISK OF FIRE, USE ONLY METAL DUCTWORK.

2. GROUNDING INSTRUCTIONS

This appliance must be grounded. In the event of an electrical short circuit, grounding reduces the risk of electric shock by providing an escape wire for the electric current. This appliance is equipped with a cord with grounding wire and grounding plug. The plug must be plugged into an outlet that is properly installed and grounded.

WARNING – Improper grounding can result in a risk of electric shock.

Consult a qualified electrician if the grounding instructions are not completely understood, or if there is doubt as to whether the appliance is properly grounded.

Do not use an extension cord. If the power supply cord is too short, have a qualified electrician install an outlet near the appliance.

CAUTION:

- To reduce risk of fire and to properly exhaust air, be sure to duct air outside
- Do not vent exhaust air into spaces within walls or ceilings or into attics, crawl spaces, or garages.

NOTE: Carefully remove protective film (if any) from the exterior surfaces of the hood prior to final installation.

DESCRIPTION / CONNECTION

This range hood should be mounted directly to the support frame mounting, with the support frame flue secured to the ceiling joist or framework.

- Ductwork can be installed vertically or horizontally.
- Duct runs should be as short as possible.
- Avoid the use of elbows.
- Use duct tape on all joints.
- Do not use a duct smaller than the exhaust on the hood.

LOCATION PREPARATION

The installation in this manual is intended for qualified installers, service technicians or persons with a similar qualified background. DO NOT attempt to install this appliance yourself. Injury could result from installing the unit due to lack of appropriate electrical and technical background.

All electrical wiring must be properly installed, insulated and grounded. Excessive accumulated grease in old duct work should be cleaned out or duct work should be replaced if necessary, to avoid the possibility of a grease fire. Check all joints on duct work to ensure proper connection, and all joints should be properly taped.

Note 1: On stainless steel hoods, carefully remove the plastic protective film from all exterior surfaces of the hood and chimney prior to final installation.

Note 2: At least two people will be required to mount the hood.

MOUNTING HEIGHTS & CLEARANCE

The minimum mounting height between range top to hood bottom should be no less than 25"

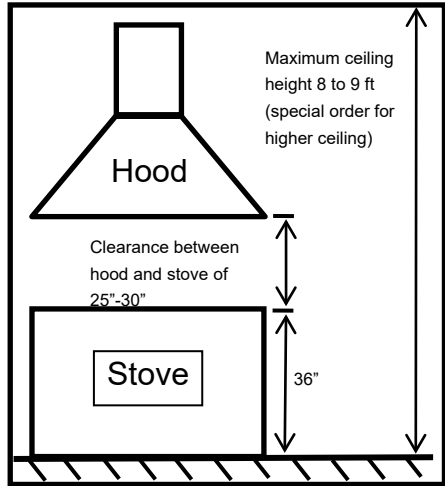
The maximum mounting height should be no higher than 30"

It is important to install the hood at the proper mounting height. Hoods mounted too low could result in heat damage and fire hazard; while hoods mounted too high will be hard to reach and would lose their performance and efficiency.

If available, also refer to the range manufacturer's height clearance requirements and the recommended hood mounting height above the range.

* Maximum ceiling clearance of 106.5" at 27.5" hood mounting height from stove (may vary for different models)

** For a higher ceiling, a chimney extension and a decorative cover is available to purchase, if required.



Ductwork

NEVER exhaust air or terminate duct work into spaces between walls, crawl spaces, ceiling, attics or garages.

All exhaust must be ducted to the outside.

Use metal ductwork only.

Fasten all connections with sheet metal screws and tape all joints with certified Silver Tape or Duct Tape.

Duct Run Calculation:

Maximum run 6" or 3-1/4 x 10" duct	100FT
Deduct:	
each 90 Elbow used	15FT
each 45 Elbow used	9FT
each 6" to 3/14 x 10"	1FT
transition used	
each 3/14 x 10" to 6"	5FT
transition used	
Side Wall Cap w/ damper	30FT
Roof Cap	30FT

e.g. – 1 roof cap, 2x90 elbows, 1x45 elbow

= 30' + 30' + 9'=69' used,

If turns or transitions are required: Install as far away from opening and as far apart, between 2,

31' available for straight duct runs

DUCT SIZE

A minimum 6" round duct must be used to maintain maximum airflow efficiency.

Flexible ducts are provided for convenience, always use rigid type metal ducts if available to maximizing airflow.

Also use calculation (on left) to determine total available duct run when using elbows, transitions and caps.

ALWAYS, when possible, reduce the number of transitions and turns. If a long duct is required, increase duct size from 6" to 7 or 8".

If a reducer is used, install a long reducer instead of pancake reducer. Reduce duct size as far away from the opening as possible.

as possible.

INSTALLATION PREPARATION

- * Please plug in and check that all functions are working
- * Remove stainless steel baffle filter and grease tray.

TOOLS AND MATERIALS REQUIRED (Not supplied)



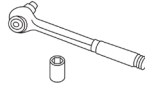
Pencil and tape measure



Duct tape



Wire cutter/stripper



Wrench



Hammer



Keyhole Saw



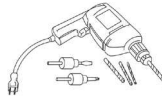
Level



Safety glasses



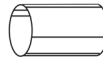
Step ladder



Electric or battery-operated
drill and 1/8", 3/8" bits



Wire nuts



10" round metal duct,
length to suit installation



Pliers



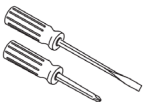
Metal Snips



Saber saw or Sawzall



Flashlight



Screwdrivers

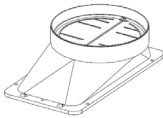


Strain relief for joint cover.

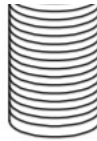


120V 60Hz. 15 or 20 Amp, 2-wire with ground.
Properly grounded branch circuit.

ACCESSORIES PROVIDED



6" round outlet adapter
with damper(2x)



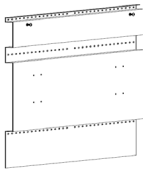
6" round pipe



Warming shelf



Infrared Heat light

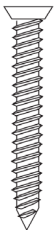


Mounting bracket



Back splash

SCREWS PROVIDED



M3.5x30mm self-tapping screws
(18x)



M4x12mm self-tapping screws (2x)



M4x10mm screws with flat
washers(2x)



M4x8mm self-tapping screws(10x)

INSTALLATION INSTRUCTIONS

- Use a level to draw the cooktop centerline location. Draw the line to ceiling height.
- Use a level to draw the cooktop surface location.

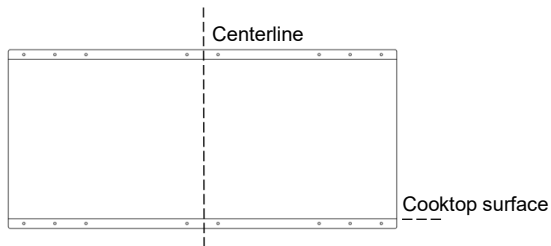
INSTALL BACKSPLASH

Remove packaging

Place backsplash against the wall and match the centerline and cooktop surface

Mount the backsplash to the wall through the holes at top and bottom by using M3.5x30mm self-tapping screws (2x at top, 2x at bottom)

NOTE: Make sure screws are installed in vertical studs as much as possible



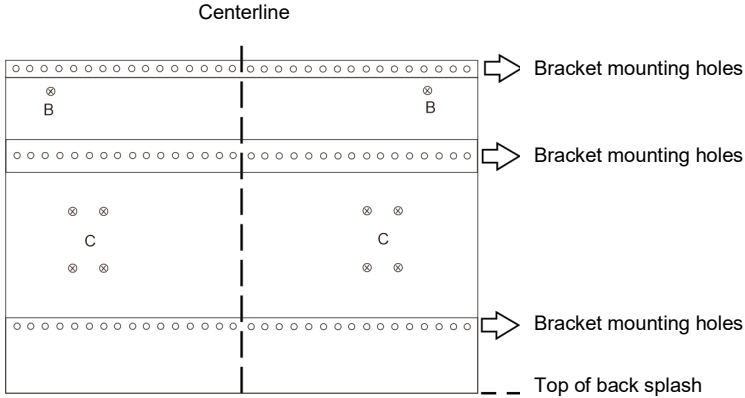
Install mounting bracket onto the wall

Remove packaging

Place mounting bracket against the wall, line up with the centerline and rest on top of backsplash.

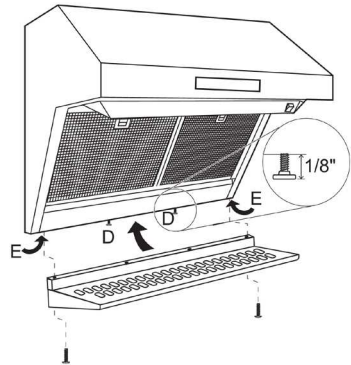
Use M3.5x30mm self-tapping screws to fix bracket to the wall through the holes at top, middle, bottom of mounting bracket (4x at top, 4x in middle, 4x at bottom)

NOTE: Make sure screws are installed in vertical studs as much as possible



INSTALL WARMING SHELF TO THE HOOD

- Install 2x M4x8mm self-tapping screws into "D" holes at the bottom of the hood flange, leaving a gap of 1/8".
- Remove shelf packaging and protective film (if any).
- Attach the warming shelf to the bottom of hood by inserting the top of the self-tapping screws into the keyhole slots on the top of the shelf. Slide the shelf towards the left to lock it into place.
- Tighten 2x M4x10mm screws & washers through the bottom of the shelf into the hood flange in the "E" position



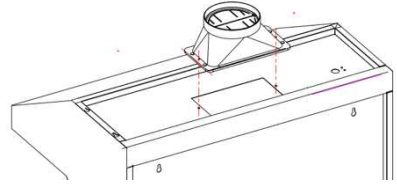
INSTALL HOOD ONTO WALL

SKIP THIS STEP IF INSTALLING BENEATH A SOFFIT OR CABINET

Install outlet adapter onto top of hood

IMPORTANT: Check that the damper moves freely

- Place the outlet adapter (1x) over the hood exhaust and secure with 2x M4x12mm self-tapping screws
- Use duct tape to seal the connection. Check to make sure the damper moves freely.



Hang hood on mounting bracket

Lift the hood and hold it close to the mounting bracket. Line up mounting holes in "B" position.

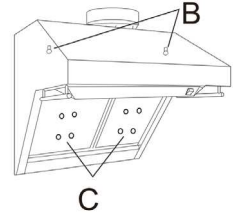
Make sure the screw head on the bracket is engaging into the keyhole slots on the back of the hood.

Slide down the hood to make it hang correctly on the bracket.

Tighten the screws in the "B" position.

Make sure the hood is leveled and centered. 8 holes in the "C" position must line up with bracket holes properly.

Install 8xM4x8mm self-tapping screws through the back of the hood in the "C" positions and tighten to the mounting bracket.



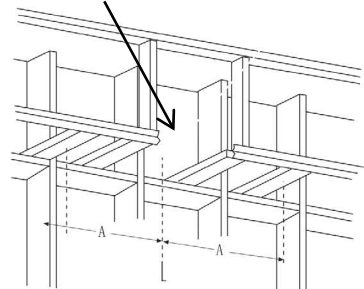
INSTALL HOOD TO SOFFIT OR BENEATH CABINETS

SKIP THIS STEP IF USING WALL MOUNTING METHOD

When necessary, the hood should be installed so that it is supported by the soffit

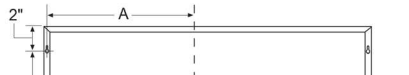
- The soffit should be constructed with 2x4's
- Determine the installation location on the wall.
- Continue the centerline forward on the bottom of the cabinet or soffit
- The opening above the hood should allow for the 10" round duct and clearance to slide the hood back against the wall.
- The 2x4 studs must be located as shown in the chart, Dim. A. to accept mounting screws

Require 10-1/2" minimum opening for ductwork and hood installation.



Top view
Front of hood

	"A" centerline to stud and keyhole slots	"F" hood width at the top
--	--	---------------------------



48"	23-9/16"	47-15-16"
36"	17-9/16"	35-15/16"
30"	14-9/16"	29-15/16"

Back of hood

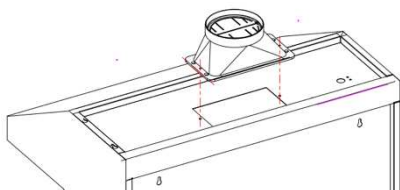
- Drill 1/8" pilot holes into the studs at the locations shown in the top view illustration.

IMPORTANT: Soffit framing must be capable of supporting up to 150lbs.

Install outlet adapter onto top of hood

IMPORTANT: Check that damper moves freely

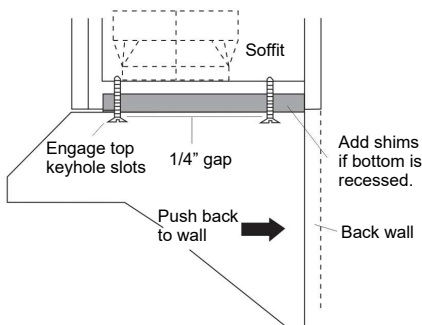
- Place the outlet adapter (1x) over the hood exhaust and secure with 2x M4x12mm self-tapping screws
- Use duct tape to seal the connection. Check to be sure the damper moves freely.



Mount Hood onto Soffit or Cabinet

Note: If mounting to the underside of a cabinet with a recessed bottom, install shims to fill the gap

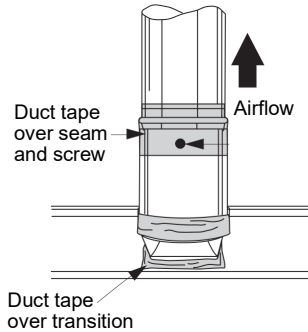
- Drive mounting screws into the studs until they protrude by 1/4". The 1/4" gap will provide clearance to engage the keyhole slots in the top of the hood.
- Lift hood to installation position.
- Lift hood onto mounting screws. Slide back against the rear wall.
- Tighten mounting screws.



IMPORTANT: For additional support and to minimize vibration during operation, the hood must be secured to the back wall. Use wall anchors to fasten bottom back of hood to the wall.

CONNECT DUCTWORK

- Install ductwork, making connections in direction of airflow as illustrated
- Wrap all duct joints with duct tape for an airtight seal.
- Use duct tape to seal the flange connection. Reach inside the hood and push the damper up to be sure it moves freely.



INSTALL FILTERS

- Reassemble grease tray and baffle filters inside the hood.

Electrical Connection

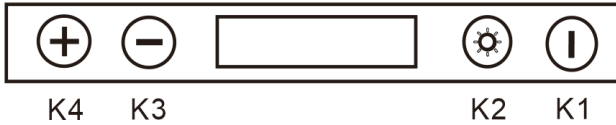
* Electrical wiring must be done by a qualified person(s) in accordance with all applicable codes and standards.

Turn off electrical power at service entrance before wiring.

- * If the supply cord is damaged, it must be replaced by the manufacturer, its service agent or similarly qualified persons in order to avoid a hazard.
- * Do not use the plug and an extension cord other than the ones initially supplied with the hood.
- * This hood must be grounded. Do not remove ground prong from the plug.

To prevent the risk of fire, electric shock, or injury to persons, or for cleaning and maintenance such as lubrication, unplug or disconnect the appliance from the power supply before servicing.

OPERATIONS



K1: Power button

When the range hood is on, press the K1 button to enter Power-Off Delay Timer, the Timer working time is 15 minutes, the range hood will turn off when the time reaches 0. If you press the K1 button again, the range hood will turn off.

When the range hood is off, press and hold the K1 button for 3 seconds to enter the clock adjustment mode, press the K4 increase button and the K3 decrease button to adjust the hour, press the K1 button again to adjust the minutes, also press the K4 increase button and the K3 decrease button to adjust minutes.

K2: Light button

Press this button to turn on the light, and once again to turn off light.

K3, K4: Decrease button and Increase button

Press these two buttons to adjust the speed when the range hood is on and to adjust the time when the range hood is in clock mode.

MAINTENANCE & CLEANING

Surface Maintenance:

Clean periodically with hot soapy water and clean cotton cloth. Do not use corrosive or abrasive detergent (e.g. comet powder scrub, EZ-Off oven cleaner), or steel wool/scoring pads which will scratch and damage surface.

For heavier soil, use liquid degreaser such as 'Formula 409' or 'Fantastic' brand cleaner.

After cleaning, you may use non-abrasive stainless steel polish/cleaners such as 3M or ZEP, to polish and buff out the stainless luster and grain. Always scrub lightly, with clean cotton cloth, and with the grain.

Stainless Steel Baffle Filters:

The factory filters are intended to filter out residue and grease from cooking. They do not need to be replaced on a regular basis but they must be kept clean.

Filters should be cleaned after every 30 hours of use.

Remove and clean by hand in a basin of hot soapy water. The filter is also dishwasher safe.

If heavily soiled, spray 'Formula 409' or equivalent degreasing detergent and leave to soak.

Dry filters and re-install before using hood.

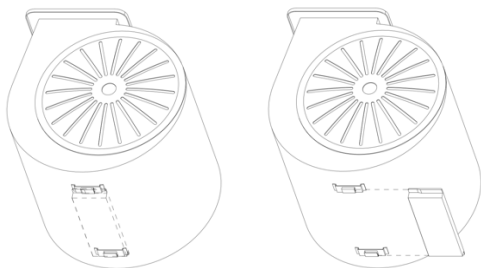
Oil cup

The oil cup should be cleaned often according to the amount of oil in the cup.

Clean oil cup by hand in a basin of hot soapy water.

If heavily soiled, spray 'Formula 409' or equivalent degreasing detergent and leave to soak.

Slide oil cup out/in from the slot at the bottom of the block



Hood Cleaning

The saturation of greasy residue in the blower and filters may cause increased inflammability. Keep unit clean and free of grease and residue build-up at all times to prevent possible fires.

Filters must be cleaned periodically and free from accumulation of cooking residue (see cleaning instructions inside). Old and worn filters must be replaced immediately. Do not operate blowers when filters are removed. Never disassemble parts for cleaning without following proper instructions. It is recommended that disassembly be performed by qualified personnel only. Call our service centre for removal instructions.

Stainless steel is one of the easiest materials to keep clean. Occasional care will help preserve its fine appearance.

Cleaning tips:

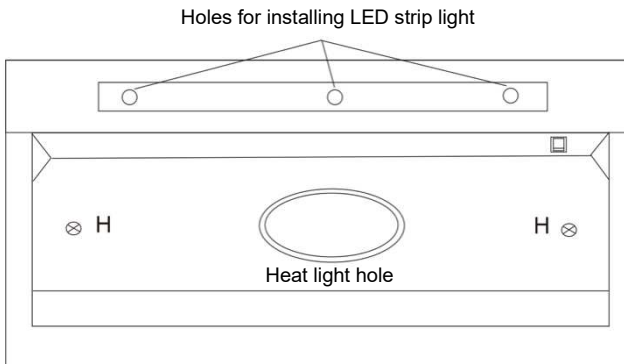
- * Hot water with soap or detergent is all that is usually needed.
- * Rinse with clean water. Wipe dry with a clean, soft cloth to avoid water marks.

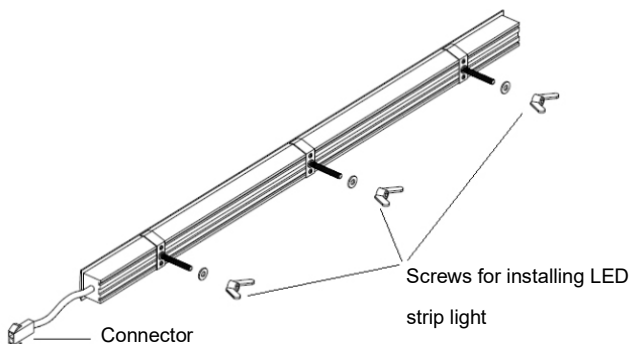
- * For persistent discoloration or deposits, use a non-abrasive household cleanser or stainless steel polishing powder with a small amount of water and a soft cloth.
- * For stubborn stains use a plastic scouring pad or soft bristle brush together with cleanser and water. Rub lightly in the direction of polishing lines or the “grain” of the stainless finish. Avoid using too much pressure as this may damage the surface.
- * Do not allow deposits to sit for long periods of time.
- * Do not use ordinary steel wool or steel brushes. Small bits of steel may adhere to the surface causing rust.
- * Do not allow salt solutions, disinfectants, bleaches, or cleaning compounds to remain in contact with stainless steel for extended periods. Many of these compounds contain chemicals that may be harmful. Rinse with water after exposure and wipe dry with a clean cloth.
- * Painted surfaces should be cleaned with warm water and mild detergent only.

LIGHT

WARNING

Please ensure that lights have been switched off for some time and the power source has been disconnected before replacing any bulbs. Please be aware that the light will retain heat for a short period of time after being switched off.





How to replace LED strip light

Step 1: Remove light panel by removing screws in "H" location

Note: Please take extra care to make sure you do not damage the range hood

Step 2: Turn the three screws at the back of the LED light counterclockwise

Step 3: Remove the LED light through the connector

Replace the new LED strip light with connector and install three screws clockwise, attach light panel to the hood with screws in the "H" location.

How to install heat light

Infrared heat light --110V/60Hz, 220W, E26 type

Place the light into the light holder, turn clockwise to tighten heat light. Turn the heat light counterclockwise to disassemble

WARNING

CAUTION-HOT SURFACE

Heating lamp, rated 120 VAC,220W

Disconnected from the supply source before installing the light

CAUTION: DO NOT TOUCH SURFACE UNITS OR AREAS NEAR UNITS – Surface units may be hot even though they are dark in colour. Areas near surface units may become hot enough to cause burns. During and after use, do not touch, or let clothing or other flammable materials touch surface units or areas near units until they have had sufficient time to cool. Among these areas are (identification of areas – for example, the cook-top and surfaces facing the cook-top).



Hotte de cuisinière manuel d'instructions FRHWM5029-30



IMPORTANT:

VEUILLEZ LIRE ET CONSERVER CES INSTRUCTIONS

AVIS :

Installateur : Laissez ce guide au propriétaire

Propriétaire : Conservez ce guide pour consultation ultérieure

HOTTE DE CUISINIÈRE PROFESSIONNELLE EN ACIER INOXYDABLE

Service à la clientèle

Merci d'avoir acheté un produit FORNO. Avant d'utiliser votre nouvel appareil pour la première fois, veuillez lire l'intégralité du guide d'utilisation. Que vous soyez occasionnellement cuisinier ou chef professionnel, il sera utile de vous familiariser avec les consignes de sécurité, les fonctionnalités, le fonctionnement et les recommandations d'entretien de votre cuisinière.

Le numéro de modèle et le numéro de série sont indiqués dans le panneau avant du produit. Pour les besoins de la garantie, vous aurez également besoin de la date d'achat.

Notez ces informations ci-dessous pour référence ultérieure.

RENSEIGNEMENTS SUR LE SERVICE

Numéro de modèle

Numéro de série

Date d'achat

Adresse et téléphone d'achat

Dans toute correspondance ou appel de service concernant votre cuisinière, utilisez ces numéros.

Si vous avez reçu un produit endommagé, contactez immédiatement le revendeur (ou le fabricant) qui vous a vendu le produit.

Gagnez du temps et de l'argent. Avant de faire appel à un technicien, consultez le Guide de dépannage. Il répertorie les causes de problèmes mineurs d'utilisation que vous pouvez corriger vous-même.

SERVICE À LA CLIENTÈLE AU CANADA:

Gardez le guide d'utilisation à portée de main pour qu'il réponde à vos questions. Si vous ne comprenez pas quelque chose ou si vous avez besoin d'aide, contactez notre service à la clientèle au: 1-800-561-7265 Ou par courriel : service@distinctive-online.com

SERVICE À LA CLIENTÈLE AU ÉTAS-UNIS:

Gardez le guide d'utilisation à portée de main pour qu'il réponde à vos questions. Si vous ne comprenez pas quelque chose ou si vous avez besoin d'aide, contactez notre service à la clientèle au: 1-866-231-8893 Ou par courriel : info@forno.ca

Si votre produit nécessite un entretien, assurez-vous de faire appel à un fournisseur de service agréé par le fabricant FORNO, recommandé par notre centre de service à la clientèle. Nous assurons soigneusement la formation et la sélection de tous les prestataires de services certifiés par l'usine.

AVERTISSEMENT



1. Avant de procéder à l'entretien ou au nettoyage de l'appareil, débranchez ou couper l'alimentation électrique de la hotte.

2. POUR RÉDUIRE LE RISQUE D'UN FEU DE GRAISSE DE LA HOTTE:

A. Ne laissez jamais les éléments de surface sans surveillance à des réglages élevés. Les déversements causent de la fumée et les débordements graisseux peuvent s'enflammer. Chauffez lentement les huiles à feu doux ou moyen.

B. Allumez toujours la hotte lorsque vous cuisinez à feu vif ou lorsque vous flambez d'aliments (crêpes Suzette, cerises Jubilee, steak au poivre flambé).

C. Nettoyez fréquemment le dispositif de ventilation. La graisse ne doit pas s'accumuler sur le ventilateur ou le filtre.

D. Utilisez une poêle de dimension appropriée. Utilisez toujours des ustensiles de cuisson adaptés à la grandeur de l'élément de surface.

3. Utilisez une poêle de dimension appropriée. Utilisez toujours des ustensiles de cuisson adaptés à la grandeur de l'élément de surface :

A. **ÉTOUFFEZ LES FLAMMES** avec un couvercle bien ajusté, une plaque à biscuits ou plateau de métal, puis éteignez le brûleur. **FAITES ATTENTION AUX BRÛLURES.** Si les flammes ne s'éteignent pas immédiatement, **ÉVACUEZ ET APPELEZ LE SERVICE D'INCENDIE.**

B. **NE RAMASSEZ JAMAIS UN PLAT ENFLAMMÉ** - Vous risquez de vous brûler.

C. **N'UTILISEZ PAS D'EAU**, y compris des serviettes ou des torchons mouillés - une violente explosion de vapeur pourrait en résulter.

D. Utilisez un extincteur **SEULEMENT SI** :

- 1) Vous savez que vous avez un extincteur de classe ABC et vous savez déjà comment l'utiliser.
- 2) Le feu est petit et contenu dans la zone où il a commencé.
- 3) Le service d'incendie a été appelé.
- 4) Vous pouvez combattre l'incendie en ayant le dos orienté vers une sortie.

4. Pour réduire le risque d'incendie ou de décharge électrique, n'utilisez pas ce ventilateur avec un dispositif de contrôle de vitesse à semi-conducteurs.

5. Pour assurer une protection contre les décharges électriques, ne branchez l'appareil que sur des prises correctement mises à la terre.

MISE EN GARDE : Pour une ventilation générale uniquement. Ne pas utiliser pour évacuer des matières et vapeurs dangereuses ou explosives.

CARACTÉRISTIQUES

La hotte de cuisinière est conçue pour être installée directement sur un mur au-dessus des appareils de cuisson. En plus de rehausser et de décorer votre cuisine, cet appareil aspire la graisse et les fumées de cuisson.

Veuillez vous référer aux instructions ci-dessous

INSTALLATION ET UTILISATION

AVERTISSEMENT

1. POUR RÉDUIRE LE RISQUE D'INCENDIE, UTILISEZ UNIQUEMENT DES CONDUITS EN MÉTAL.
2. CONSIGNES DE MISE À LA TERRE

Cet appareil doit être mis à la terre. En cas de court-circuit électrique, la mise à la terre réduit le risque de décharge électrique en fournissant un fil d'évacuation pour le courant électrique. Cet appareil est équipé d'un cordon ayant un fil de mise à la terre avec une fiche de mise à la terre. La fiche doit être branchée dans une prise de courant correctement installée et mise à la terre.

AVERTISSEMENT– Une mise à la terre incorrecte peut entraîner un risque de décharge électrique.

Consultez un électricien qualifié si les instructions de mise à la terre ne sont pas entièrement comprises ou s'il existe un doute quant à la mise à la terre adéquate de l'appareil. N'utilisez pas de rallonge électrique. Si le cordon d'alimentation est trop court, demandez à un électricien qualifié d'installer une prise près de l'appareil.

MISE EN GARDE :

- Afin de réduire les risques d'incendie et d'évacuer l'air correctement, assurez-vous de canaliser l'air vers l'extérieur.
- Ne pas évacuer l'air dans les espaces à l'intérieur des murs et plafonds, dans les greniers, vides sanitaires ou garages.

REMARQUE : Retirer soigneusement le film protecteur (s'il y a lieu) des surfaces externes de la hotte avant l'installation finale.

DESCRIPTION / BRANCHEMENT

Cette hotte de cuisine doit être montée directement sur le châssis du cadre porteur et le conduit de fumée doit être fixé à la solive de plafond ou au cadre.

- Le conduit d'air peut être installé à la verticale ou à l'horizontale.
- Les conduits doivent être les plus courts possible.
- Éviter les coudes.
- Utiliser du ruban à conduits pour sceller les joints.
- Ne pas utiliser de conduits d'une taille inférieure au tuyau de refoulement de la hotte.

PRÉPARATION DE L'EMPLACEMENT

Les directives de ce guide sont rédigées à l'intention d'installateurs qualifiés, de techniciens de service ou d'individus ayant des compétences similaires. N'ESSAYEZ PAS d'installer cet appareil vous-même. L'installation de cet appareil sans détenir les compétences techniques nécessaires pourrait entraîner des blessures.

Tous les fils électriques doivent être correctement installés, isolés et mis à la terre. Les conduits d'air existants doivent être nettoyés de toute accumulation de graisse ou remplacés si nécessaire afin d'éliminer tout risque de feu de friture. Tous les joints des conduits doivent être vérifiés et bien scellés pour assurer une bonne connexion.

Remarque 1 : Pour les hottes en acier inoxydable, retirer soigneusement le film protecteur en plastique de toutes les surfaces externes de la hotte et de la cheminée avant l'installation finale.

Remarque 2 : Il faut deux personnes pour installer cette hotte.

HAUTEUR DE MONTAGE ET DÉGAGEMENT

La hauteur de montage minimale entre le dessus de la surface de cuisson et le dessous de la hotte ne devrait pas être inférieure à 25 po (63 cm)."

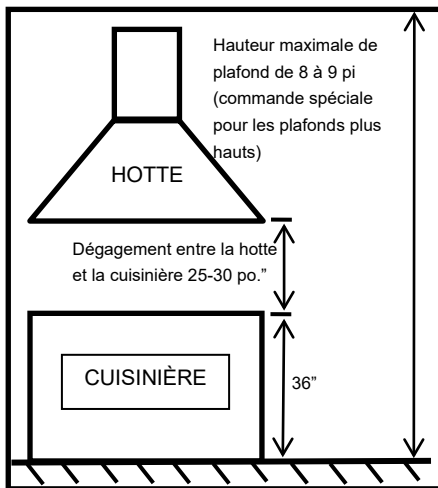
La hauteur de montage maximale ne devrait pas être supérieure à 30 po (76,2 cm).

Il est très important d'installer la hotte selon la hauteur de montage conseillée. Un montage trop bas peut causer des dommages dus à la chaleur ou des risques d'incendie. Un montage trop haut peut rendre l'accès à la hotte difficile et diminue son efficacité et son rendement.

Si elles sont disponibles, consultez les exigences du fabricant concernant le dégagement de hauteur et la distance de montage recommandée au-dessus de la surface de cuisson

* Dégagement de hauteur maximale de 106,5 po (270 cm) du plafond à 27,5 po (69 cm) de la hauteur de montage de la hotte au-dessus de la cuisinière (la hauteur varie selon les modèles).

** Pour les plafonds plus élevés, il est possible de se procurer une rallonge de cheminée et de couvercle décoratif.



Conduits

NE JAMAIS terminer les conduits d'évacuation ni diriger l'air dans les murs, le plafond, le grenier, le vide sanitaire ou le garage.

L'air doit toujours être dirigé vers l'extérieur.

Utilisez uniquement un conduit en métal..

Fixer toutes les connexions et tous les branchements à l'aide de vis de métal et sceller tous les joints avec du ruban adhésif certifié, type Silver, ou du ruban adhésif à conduits

Calcul des conduits:

Conduit maximum 6 po ou 3 ¼ x10po	100 pi
Déduire:	
Chaque coude de 90°utilisé	15 pi
Chaque coude de 45° utilisé	9 pi
chaque transition 6 po à 3-1/4x10 po	1 pi
transition utilisée	
chaque 3-1/4 x 10 po à 6 po	5 pi
transition utilisée	
Évent latéral avec clapet	30 pi
Évent de toit	30 pi

Ex. : 1 évent de toit, 2 coudes de 90°, 1 coude de 45° = 30 pi + 30 pi + 9 pi = 69 pi utilisés,
31 pieds disponibles pour les conduits directs

TAILLE DU CONDUIT

Utilisez un conduit rond d'un minimum de 6 po pour assurer un débit d'air maximum.

Des conduits flexibles sont fournis par commodité. Toujours utiliser un conduit rigide en métal pour assurer un débit d'air maximum.

Utilisez le tableau de calcul (à gauche) pour établir la longueur totale de conduit disponible lorsque vous utilisez des coudes, des transitions et des événements.

TOUJOURS réduire le nombre de transitions et de virages. Si vous avez besoin d'un long conduit, augmentez la taille du conduit de 6 po (15 cm) à 7 po ou 8 po (17 ou 20 cm).

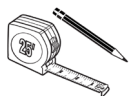
Si vous utilisez un réducteur, installez-en un de grande taille plutôt qu'un réducteur « crêpe ». Réduire la taille du conduit le plus loin possible de l'ouverture.

Si vous devez faire des virages ou des transitions : faites-le le plus loin possible de l'ouverture en gardant le plus d'espace qui soit entre les deux.

PRÉPARATION DE L'INSTALLATION

- * Brancher l'appareil et vérifier si tout fonctionne.
- * Retirer le filtre déflecteur en acier inoxydable et le plateau à graisse.

OUTILS ET MATÉRIEL REQUIS (non fournis)



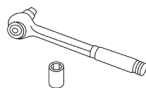
Crayon et ruban à mesurer



Ruban à conduits



Coupe-fils/pince à dénuder



Clé



Marteau



Scie à guichet



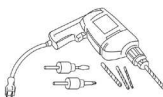
Niveau à bulle



Lunettes de sécurité



Escabeau



Perceuse électrique ou rechargeable et mèches de 1/8 po et 3/8 po



Capuchons de connexion



Conduit en métal cylindrique de 10 po, longueur adaptée à l'installation



Pince



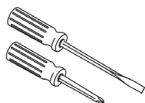
Cisaille à métaux



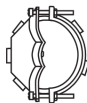
Scie sauteuse ou scie alternative



Lampe de poche



Tournevis

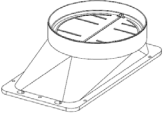


Collier de serrage pour couvercle de raccordement.

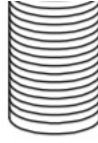


Fils électriques à 2 fils 120 V 60 Hz de 15 ou 20 A avec masse. Circuit de dérivation adéquatement mis à la terre.

ACCESSOIRES FOURNIS



Adaptateur électrique
cylindrique de 6 po avec
clapet (2x)



Tuyau cylindrique de 6 po



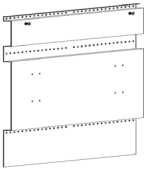
Ampoule chauffante
infrarouge



Tablette chauffante

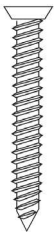


Plaque anti-éclaboussure



Support de fixation

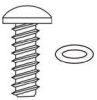
VIS FOURNIES



Vis auto-taraudeuses M3,5x30mm
(18x)



Vis auto-taraudeuses M4x12mm
(2x)



Vis avec rondelles plates
M4x10mm (2x)



Vis auto-taraudeuses M4x8mm
(10x)

INSTRUCTIONS D'INSTALLATION

- Utilisez un niveau pour tracer l'emplacement de la ligne médiane de la surface de cuisson. Tracez une ligne jusqu'au plafond.
- Utilisez un niveau pour tracer l'emplacement de la surface de cuisson.

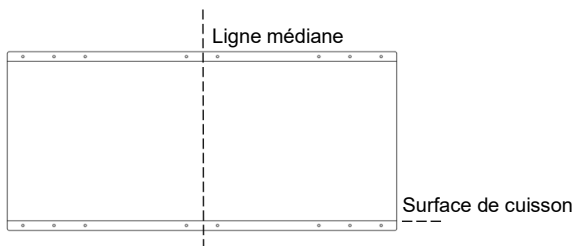
INSTALLATION DE LA PROTECTION ANTI-ÉCLABOUSSURE (DOSSERET)

Retirez l'emballage.

Posez la plaque anti-éclaboussure sur le mur de façon à ce qu'elle corresponde à la ligne médiane et à la surface de cuisson.

Fixez la plaque anti-éclaboussure sur le mur en insérant des vis auto-taraudeuses M3,5x30mm dans les trous du haut et du bas (2 vis en haut et 2 vis en bas).

REMARQUE : Assurez-vous que les vis sont bien ancrées dans les montants verticaux du mur.



Installation du support de fixation sur le mur

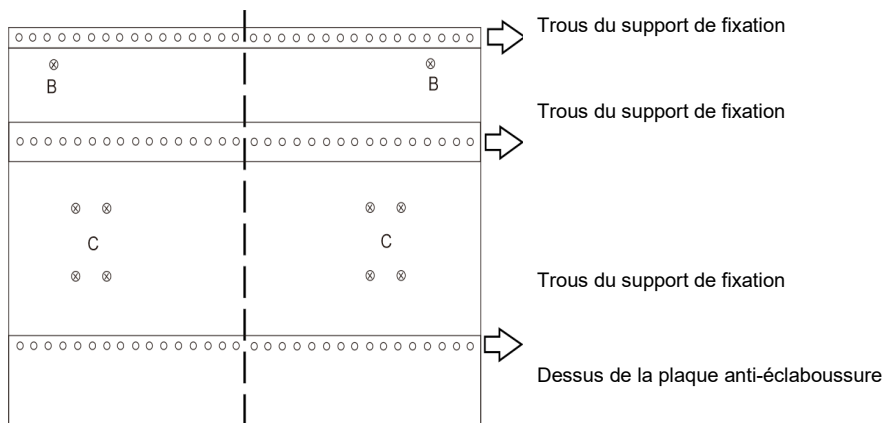
Retirez l'emballage

Placez le support de fixation sur le mur, alignez-le avec la ligne médiane et posez le dessus de la plaque anti-éclaboussure.

Insérez des vis auto-taraudeuses M3,5x30mm dans les trous du haut, du centre et du bas (4 vis en haut, 4 vis au centre et 4 vis en bas) puis fixez le support sur le mur

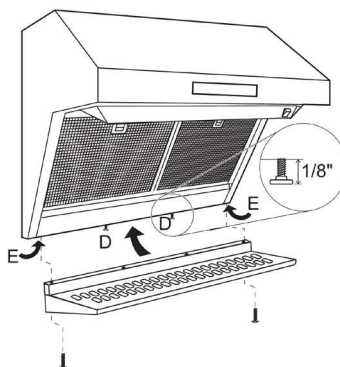
REMARQUE : Assurez-vous que les vis sont bien ancrées dans les montants verticaux du mur.

Ligne médiane



INSTALLATION DE LA TABLETTE CHAUFFANTE SUR LA HOTTE

- Insérez 2 vis auto-taraudeuses M4x8mm dans les trous « D » au bas de la bride de la hotte en laissant un dégagement de 1/8 po.
- Retirez l'emballage et la pellicule protectrice de la tablette (le cas échéant).
- Fixez la tablette chauffante au bas de la hotte en insérant la tête des vis auto-taraudeuses dans les fentes en trou de serrure au-dessus de la tablette. Glissez la tablette vers la gauche pour la verrouiller en place.
- Passez les 2 vis M4x10mm et les rondelles plates à travers la partie inférieure de la tablette jusqu'à la bride inférieure de la hotte à l'emplacement « E ».



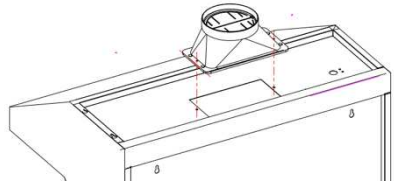
INSTALLATION DE LA HOTTE SUR UN MUR

SAUTEZ CETTE ÉTAPE SI VOUS INSTALLEZ LA HOTTE SOUS UN SOFFITE OU UNE ARMOIRE

Installez l'adaptateur électrique sur le dessus de la hotte

IMPORTANT : Vérifiez que le clapet bouge librement.

- Placez l'adaptateur électrique (1x) sur la hotte d'évacuation et fixez-le avec 2 vis auto-taraudeuses M4x12mm.
- Utilisez du ruban à conduits pour sceller le branchement. Vérifiez que le clapet bouge librement.



Suspendre la hotte sur le support de fixation

Soulevez la hotte et tenez-la à proximité du support de fixation. Alignez les trous de montage à l'emplacement « B ».

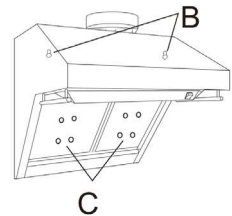
Assurez-vous d'engager la tête de la vis du support dans les fentes en trous de serrure situées au dos de la hotte.

Glissez la hotte de façon à ce qu'elle soit suspendue correctement sur le support.

Serrez les vis de l'emplacement « B ».

Assurez-vous que la hotte est centrée et au niveau et que les 8 trous des emplacements « C » s'alignent correctement aux trous du support.

Faites passer les 8 vis auto-taraudeuses M4x8mm à l'arrière de la hotte aux emplacements « C » et serrez le support de fixation.



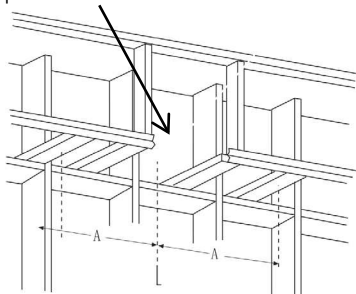
INSTALLATION DE LA HOTTE À UN SOFFITE OU SOUS UNE ARMOIRE

SAUTEZ CETTE ÉTAPE SI VOUS UTILISEZ UN MONTAGE MURAL

Au besoin, la hotte peut être installée pour être soutenue par un soffite.

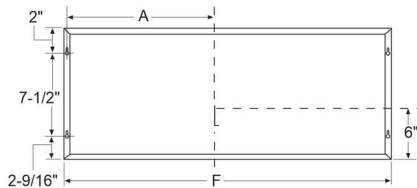
- Le soffite doit être bâti en deux par quatre.
- Déterminez l'emplacement de l'installation sur le mur.
- Prolongez la ligne médiane au bas de l'armoire ou du soffite.
- L'ouverture au-dessus de la hotte doit permettre le passage d'un conduit cylindrique de 10 po et offrir un dégagement permettant de glisser l'arrière de la hotte contre le mur.
- Les deux par quatre doivent être situés comme sur la dimension A du tableau pour recevoir les vis de montage.

Nécessite une ouverture d'au moins 10-1/2 po pour le conduit et l'installation de la hotte.



Vue en plan
Devant de la hotte

	Ligne médiane "A" vers le montant et les fentes en trou de serrure	« F » LARGEUR DE LA HOTTE SUR LE DESSUS
48 po	23-9/16 po	47-15-16 po
36 po	17-9/16 po	35-15/16 po
30 po	14-9/16 po	29-15/16 po



L'arrière de la hotte

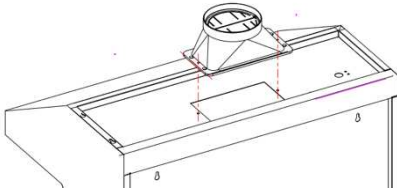
- Percez des trous pilotes de 1/8 po dans les montants aux emplacements indiqués sur la vue en plan.

IMPORTANT : La charpente du soffite doit pouvoir supporter un poids de 150 lb.

Installez l'adaptateur électrique sur le dessus de la hotte

IMPORTANT : Vérifiez que le clapet bouge librement

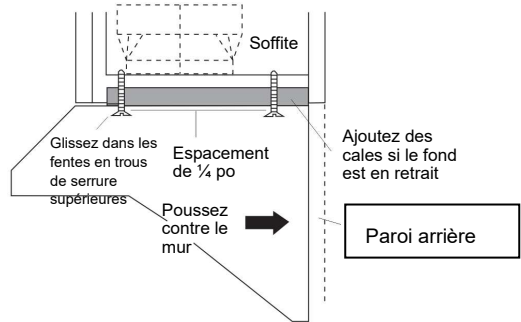
- Fixez l'adaptateur électrique (1x) sur la hotte d'évacuation avec 2 vis auto-taraudeuses M4x12mm.
- Utilisez du ruban à conduits pour sceller le branchement. Vérifiez que le clapet bouge librement.



Montage de la hotte sur un soffite ou une armoire

Remarque : Pour un montage sous une armoire avec un fond en retrait, ajoutez des cales pour combler le vide.

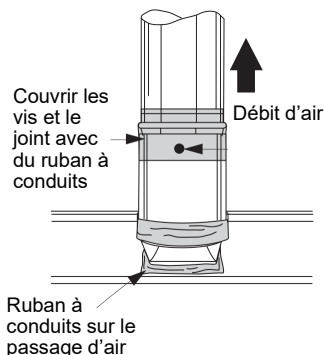
- Vissez les vis de montage dans le montant jusqu'à ce qu'elles dépassent de $\frac{1}{4}$ po. Cet espacement assurera l'espace nécessaire pour glisser les fentes en trou de serrures sur le dessus de la hotte.
- Soulevez la hotte en position d'installation.
- Soulevez la hotte sur les vis de montage et glissez-la contre la paroi arrière.
- Serrez les vis de montage.



IMPORTANT : Pour un support supplémentaire et pour réduire la vibration lors du fonctionnement de la hotte, fixez la hotte sur la paroi arrière. Utilisez des chevilles murales pour fixer l'arrière de la hotte sur le mur.

BRANCHEMENT DU CONDUIT D'ÉVACUATION

- Installez le conduit d'évacuation en réalisant un branchement en suivant le débit d'air, comme sur l'illustration.
- Entourez tous les joints du conduit avec du ruban à conduits pour une fermeture étanche.
- Utilisez du ruban à conduits pour sceller la bride de raccordement. Passez la main à l'intérieur de la hotte et poussez le clapet vers le haut pour vous assurer qu'il bouge librement.



INSTALLATION DES FILTRES

- Remplacez le plateau à graisse et le filtre déflecteur dans la hotte.

Branchement électrique

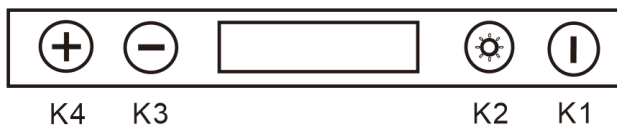
- * Le câblage électrique doit être effectué par un technicien qualifié conformément aux normes et aux codes en vigueur.

Couper l'alimentation électrique au branchement d'abonné avant tout câblage.

- * Si le cordon d'alimentation est endommagé, il doit être remplacé par le fabricant, ses techniciens ou autres personnes qualifiées pour éviter tout risque de danger.
- * Ne pas utiliser de prise ni de rallonge autres que celles initialement fournies avec la hotte.
- * La mise à la terre de la hotte est obligatoire. Ne pas enlever la branche de mise à la terre.

Pour éviter tout risque d'incendie, d'électrocution, ou de blessures; aux fins de nettoyage et d'entretien de la part de l'utilisateur comme la lubrification, débrancher ou déconnecter l'appareil de l'alimentation électrique avant toute réparation.

FONCTIONS



K1 : Touche d'alimentation

Lorsque la hotte est allumée, appuyez sur la touche K1 pour accéder au menu du minuteur de coupure d'alimentation. La durée de fonctionnement du minuteur est de 15 minutes. La hotte s'éteindra lorsque le minuteur affiche 0. Si vous appuyez à nouveau sur la touche K1, la hotte s'éteindra.

Lorsque la hotte est éteinte, appuyez sur la touche d'alimentation pendant 3 secondes pour accéder au menu de réglage de l'horloge. Appuyez sur les touches K4 (+) et K3 (-) pour avancer ou reculer l'heure et appuyez à nouveau sur la touche K1 ; vous pouvez régler les minutes en appuyant sur les touches K4 et K3.

K2 : Touche d'éclairage

Appuyez sur cette touche pour allumer et éteindre la lumière.

K3 et K4 : Touches + et -

Appuyez sur ces deux touches pour régler la vitesse de la hotte et pour accéder au menu du réglage de l'horloge.

ENTRETIEN ET NETTOYAGE

Entretien de la surface :

Nettoyer périodiquement la surface avec de l'eau chaude savonneuse et un chiffon en coton propre. Ne pas utiliser de détergent corrosif ou abrasif (p.ex. : poudre à récurer Comet, nettoyant pour le four EZ-Off), ni de laine d'acier ou de tampons à récurer qui risquent d'égratigner et d'endommager la surface.

Pour la saleté plus tenace, utiliser un produit dégraissant liquide comme Formula 409 ou le nettoyant de marque Fantastic.

Après le nettoyage, vous pouvez utiliser un agent polissant pour l'acier inoxydable, comme 3M ou ZEP, pour polir et redonner du lustre. Toujours frotter légèrement avec un chiffon en coton propre dans le sens du grain.

Filtres déflecteurs en acier inoxydable:

Les filtres installés en usine sont conçus pour filtrer les résidus et la graisse de cuisson. Il n'est pas nécessaire de les changer régulièrement, mais ils doivent être nettoyés.

Nettoyer les filtres après 30 heures d'utilisation.

Enlever et nettoyer les filtres à la main dans une bassine remplie d'eau chaude savonneuse. Le filtre va au lave-vaisselle.

Pour la saleté plus tenace, vaporiser un détergent dégraissant de type Formula 409 ou équivalent et laisser tremper.

Laisser les filtres sécher et les remettre en place avant d'utiliser la hotte.

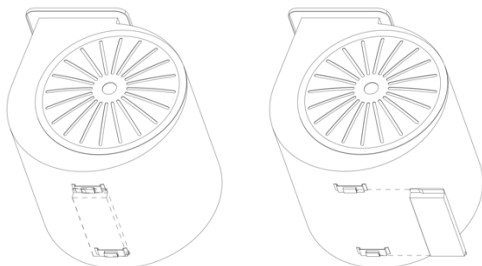
Collecteur d'huile

Nettoyez fréquemment le collecteur d'huile selon le volume d'huile à l'intérieur.

Lavez le collecteur d'huile à la main dans une cuvette remplie d'eau chaude savonneuse.

Si le collecteur est très sale, vaporisez du Formula 409 ou un détergent dégraissant équivalent et laissez tremper.

Glissez le collecteur dans le réceptacle situé au fond du bloc.



Nettoyage de la hotte

Les résidus graisseux saturés dans les souffleurs et les filtres peuvent augmenter les risques d'inflammabilité. Nettoyez l'appareil de toute graisse et de toute accumulation de résidus pour éviter les incendies.

Les filtres doivent être nettoyés régulièrement et exempts de tout résidu culinaire (lire les Instructions de nettoyage dans le présent manuel). Remplacez immédiatement tous les filtres usagés et usés. Ne pas faire fonctionner les souffleurs sans les filtres. Ne démontez jamais de pièces pour les nettoyer sans avoir suivi les instructions au préalable. Le démontage devrait être effectué uniquement par des personnes qualifiées. Communiquez avec notre service à la clientèle pour des instructions au sujet du démontage.

L'acier inoxydable est l'un des matériaux les plus faciles à garder propre. Des soins occasionnels permettront de conserver sa belle apparence.

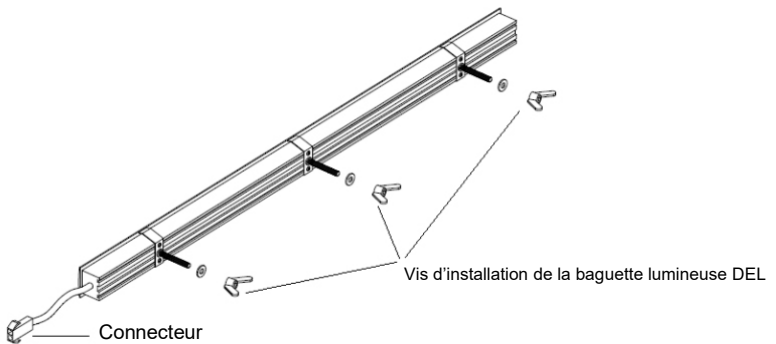
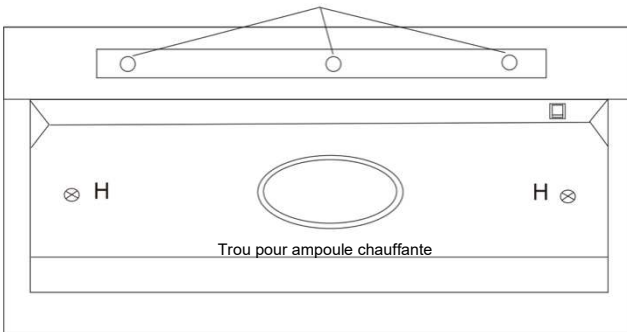
Conseils de nettoyage :

- * De l'eau chaude savonneuse ou un détergent suffisent généralement.
- * Rincez à l'eau claire. Essayez avec un chiffon doux et propre pour éviter les traces d'eau.
- * Pour la décoloration et les dépôts résistants, utilisez une poudre à polir pour acier inoxydable ou un nettoyant ménager non abrasif avec un peu d'eau et un chiffon doux.
- * Pour les taches tenaces, utilisez un tampon à récurer en plastique ou une brosse à poils doux avec un nettoyant et de l'eau. Frottez légèrement en suivant le sens des lignes de polissage (ou le grain) de la finition inox. Évitez de trop appuyer pour ne pas marquer la surface.
- * Ne pas laisser les dépôts s'incruster.
- * N'utilisez pas de brosses en acier ni de laine d'acier ordinaire. De petites particules d'acier peuvent adhérer à la surface et provoquer la rouille.
- * Ne laissez pas de solutions salines, de désinfectants, d'agents de blanchiment ni de produits pour nettoyer rester en contact avec l'acier inoxydable pendant de longues périodes. Bon nombre de ces produits contiennent des produits chimiques qui peuvent être dangereux. Rincez à l'eau après exposition et essuyez avec un chiffon propre.
- * Nettoyez les surfaces peintes à l'eau tiède et seulement avec un détergent doux.

AVERTISSEMENT

Assurez-vous que la source d'alimentation est coupée et que les ampoules sont éteintes depuis un certain temps avant de les remplacer. L'ampoule reste chaude un certain temps après qu'elle soit éteinte.

Trous pour l'installation d'une baguette lumineuse DEL



Remplacement d'une baguette lumineuse DEL

Étape 1 : Retirez le panneau lumineux en dévissant les vis à l'emplacement « H ».

Remarque : Prenez bien soin de ne pas endommager la hotte de cuisinière.

Étape 2 : Dévissez les vis situées au dos de l'ampoule DEL dans le sens antihoraire.

Étape 3 : Retirez l'ampoule DEL du connecteur.

Remplacez la nouvelle bande lumineuse DE L avec le connecteur et vissez dans le sens horaire.

Remplacez et vissez le panneau lumineux dans la hotte à l'emplacement « H ».

Installation de l'ampoule chauffante

Ampoule chauffante infrarouge –110 V / 60 Hz, 220 W, type E26.

Placez l'ampoule dans la douille. Tournez dans le sens horaire pour serrer.

Pour desserrer, tournez dans le sens antihoraire.

AVERTISSEMENT

ATTENTION – SURFACE CHAUDE

Ampoule chauffante, tension nominale de 120 V CA, 220 W

Débranchez l'appareil avant d'installer l'ampoule

ATTENTION : NE PAS TOUCHER AUX UNITÉS DE SURFACE OU AUX ZONES À PROXIMITÉ DES UNITÉS – Les unités de surface peuvent être chaudes même si elles sont de couleur sombre. Les zones à proximité des unités de surface peuvent être suffisamment chaudes pour causer des brûlures. Pendant et après l'utilisation, ne pas toucher ni laisser de vêtements ni de matière inflammable toucher les unités de surface ou les zones à proximité des unités de surface jusqu'à ce qu'elles aient eu suffisamment de temps pour refroidir. Les zones à proximité des unités de surface sont la table de cuisson et les surfaces orientées vers la table de cuisson.



Campana Extractora Manual de Instrucciones FRHWM5029-30



IMPORTANTE:

LEA Y CONSERVE ESTAS INSTRUCCIONES

AVISO:

Instalador: Entregue esta guía al propietario

Propietario: conserve esta guía para futuras consultas

**CAMPANA EXTRACTORA PROFESIONAL DE
ACERO INOXIDABLE**

Servicio al cliente

Gracias por comprar una cocina FORNO. Antes de usarla por primera vez, lea la guía del usuario en su totalidad. Si es un cocinero ocasional o un cocinero profesional, le será útil familiarizarse con las recomendaciones de seguridad, características, operación y mantenimiento de su cocina.

El número de modelo y de serie se muestran en el panel frontal del producto. Para su garantía, también necesitará la fecha de compra.

Tenga en cuenta la información a continuación para futuras referencias.

INFORMACIÓN SOBRE EL SERVICIO

Número de modelo

Número de serie

Fecha de compra

Dirección y teléfono de compra

Para toda correspondencia o llamada de servicio relacionadas con su producto, use estos números.

Si recibió un producto defectuosa, comuníquese inmediatamente con el distribuidor (o fabricante) que le vendió el producto.

Ahorre tiempo y dinero. Antes de llamar a un técnico, consulte la guía de solución de problemas. Ahí puede encontrar las causas de los problemas menores de uso que podría solucionar usted mismo.

SERVICIO AL CLIENTE EN CANADÁ:

Tenga a mano la guía del usuario para responder sus preguntas. Si no entiende algo o necesita ayuda, comuníquese con nuestro servicio al cliente al 1-800-561-7265

O por correo electrónico: service@distinctive-online.com

SERVICIO EN ESTADOS UNIDOS:

Mantenga el manual de instrucciones a mano para responder sus preguntas. Si no entiende algo o necesita más ayuda, llame a nuestro Servicio al Cliente:: 1-866-231-8893

O por correo electrónico : info@forno.ca

Si su producto necesita mantenimiento o servicio, asegúrese de llamar a un proveedor autorizado por el fabricante FORNO, recomendado por nuestro centro de atención al cliente. Garantizamos cuidadosamente la capacitación y la selección de todos los proveedores de servicios certificados por la fábrica

RECOMENDACIONES Y SUGERENCIAS

ADVERTENCIA



1. Antes de poner en servicio o limpiar la unidad, desenchufe o desconecte la campana extractora de la fuente de alimentación.

2. PARA DISMINUIR EL RIESGO DE INCENDIO POR GRASA DE LAS HORNALLAS:

A. Nunca deje las hornallas desatendidas a una temperatura alta. Los rebales pueden generar humo y la grasa que se desborde puede encenderse. Caliente los aceites lentamente a una configuración baja o media.

B. Encienda siempre la campana al cocinar a fuego alto o al flamear alimentos (por ej. crepes Suzette, cerezas jubilé, flambé de ternera a la pimienta).

C. Limpie los ventiladores con frecuencia. No permita que se acumule grasa en el ventilador o filtro.

D. Use el tamaño de sartén adecuado. Use siempre utensilios de cocina apropiados para el tamaño de las hornallas.

3. PARA DISMINUIR EL RIESGO DE LESIONES A PERSONAS EN CASO DE UN INCENDIO POR GRASA EN LOS QUEMADORES, OBSERVE LO SIGUIENTE:

A. REDUZCA LAS LLAMAS con una tapa ajustada, una bandeja para hornear galletas o una bandeja de metal, luego apague la hornalla. TENGA CUIDADO PARA EVITAR QUEMADURAS. Si las llamas no se apagan inmediatamente, DEBE EVACUAR EL ÁREA Y LLAMAR AL DEPARTAMENTO CONTRA INCENDIOS.

B. NO AGARRE NUNCA UNA SARTÉN EN LLAMAS – podría quemarse.

C. NO USE AGUA ni paños de cocina o toallas húmedas – se produciría una violenta explosión de vapor.

1. D. Use un extintor SOLAMENTE si:

1) Sabe que dispone de un extintor Clase ABC y ya sabe cómo utilizarlo.

2) El fuego es pequeño y está dentro del área donde se inició.

3) Ha llamado al departamento contra incendios.

4) Puede combatir el fuego estando de espaldas a una salida.

4. Para reducir el riesgo de incendio o descarga eléctrica, no use este ventilador con ningún Dispositivo con Control de Velocidad de Estado Sólido.

5. Para proporcionar una protección contra descargas eléctricas, conecte únicamente a enchufes con tomacorriente.

PRECAUCIÓN: Solo para uso de ventilación general. No lo use para extraer materiales y vapores peligrosos o explosivos.

CARACTERÍSTICAS

Esta campana extractora está concebida para una cocina de diseño con campana extractora que esté instalada directamente sobre los electrodomésticos de cocina contra la pared. Este extractor es un punto central y una pieza importante en su cocina, que al mismo tiempo tiene la ventaja de extraer la grasa y el humo de su cocina.

A continuación, puede consultar las instrucciones.

INSTALACIÓN Y USO

ADVERTENCIA

1. PARA DISMINUIR EL RIESGO DE INCENDIO, UTILICE SOLAMENTE CONDUCTOS METÁLICOS.

2. REQUISITOS ELÉCTRICOS:

Este electrodoméstico debe estar conectado a un tomacorriente. En caso de cortocircuito eléctrico, la conexión a tomacorriente reduce el riesgo de descarga eléctrica, ya que proporciona un cable de escape para la corriente eléctrica. Este electrodoméstico está equipado con un cable que dispone de un enchufe de conexión a tierra. El enchufe debe conectarse a un tomacorriente que esté correctamente instalado.

ADVERTENCIA –

Una conexión a un tomacorriente inadecuada puede aumentar el riesgo de descarga eléctrica.

Consulte a un electricista calificado si no ha entendido los requisitos eléctricos por completo o si tiene dudas sobre si el electrodoméstico está correctamente conectado a tierra.

No utilice un cable alargador. Si el cable de alimentación es demasiado corto, pida a un electricista que **instale una toma de corriente cerca del electrodoméstico.**

PRECAUCIÓN :

- Para disminuir el riesgo de incendio y extraer el aire adecuadamente, asegúrese de conducir el aire hacia el exterior.

- No ventile el aire de escape hacia espacios entre paredes, techos, áticos, pasadizos o garajes.

NOTA: retire la película protectora (si está incluida) con cuidado de las superficies exteriores de la campana antes de instalarla por completo.

DESCRIPCIÓN / CONEXIÓN

Esta campana extractora debe montarse directamente en el marco de soporte, en el que la chimenea queda fijada a la viga o estructura del techo.

- Los conductos se pueden instalar verticalmente o horizontalmente.
- Los conductos deben ser lo más cortos posibles.
- Evite el uso de los codos.
- Use cinta adhesiva en todas las juntas.
- No use un conducto que sea más pequeño que la descarga de la campana.

PREPARACIÓN DE LA UBICACIÓN

La instalación en este manual está dirigida a instaladores calificados, técnicos de mantenimiento o personas con experiencia calificada NO intente instalar este aparato usted mismo. La instalación de la unidad debido a la falta de experiencia eléctrica y técnica adecuada puede causarle lesiones.

Todo el cableado eléctrico debe estar correctamente instalado, aislado y conectado al tomacorriente. El exceso de grasa acumulada en los conductos antiguos debe limpiarse o bien reemplazar los conductos, para evitar un incendio por grasa. Verifique todas las juntas de los conductos para garantizar que se haya conectado correctamente, y que todas las juntas estén debidamente precintadas.

Nota 1: Retire con cuidado la película plástica protectora de todas las superficies exteriores en las campanas de acero inoxidable tanto de la campana como la chimenea, antes de instalarla por completo.

Nota 2: Se requiere al menos dos personas para montar la campana.

ALTURAS DE MONTAJE Y SEGURIDAD

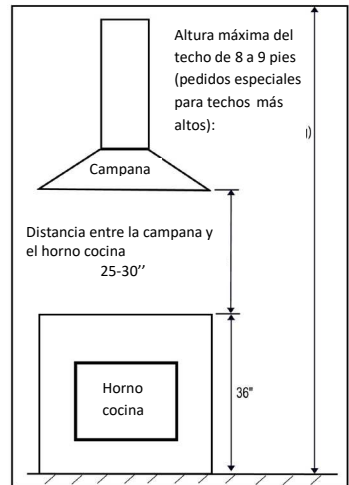
La altura mínima de montaje entre la parte superior del horno cocina y la parte inferior de la campana no debe ser inferior a 25".

La altura máxima de montaje no debe ser superior a 30".

Es importante instalar la campana a la altura de montaje adecuada. Las campanas que se hayan montado a una altura demasiado baja pueden provocar daños por calor y peligro de incendio; mientras que las campanas que se hayan instalado a una altura demasiado alta perderán en rendimiento y eficiencia.

Si estuvieran disponibles, consulte también los requisitos de altura de seguridad y de la altura de montaje entre las hornallas y la campana recomendados por el fabricante.
* Distancia de seguridad máxima con el techo 106.5" a 27.5" de altura de montaje de la campana a la cocina (puede variar según el modelo).

** Para los techos más altos, la extensión de la chimenea y la cubierta decorativa están disponibles para la compra, si fuera necesario.



Conductos

NUNCA extraiga aire ni coloque las terminaciones de los conductos en espacios entre paredes, pasadizos, techos, áticos o garajes.

Todos los escapes deben ser conducidos al exterior.

Use solamente conductos metálicos.

Fije todas las conexiones con tornillos de metal y tape todas las juntas con cinta Silver Tap o cinta aislante certificada.

TAMAÑO DEL CONDUCTO

Extensión máxima del conducto 6" a 3-1/4 x 10	100 pies
Deducción:	
cada codo de 90 utilizado	15 pies
cada codo de 45 utilizado	9 pies
cada 6" a 3/14 x 10"	1 pie
transición utilizada	
cada 3/14 x 10" a 6	5 pies
transición utilizada	
Tapa de pared lateral con amortiguador	30 pies
Tapa para techo	30 pies

Por ej. – 1 tapa para techo, codos de 2x90, codo de 1x45
= 30' + 30' + 9' = 69' usado
31' disponible para recorridos de conductos rectos

Se debe usar un conducto redondo de mínimo 6" para mantener la eficiencia máxima del flujo de aire.

Se incluyen conductores flexibles por comodidad, use siempre conductores rígidos de tipo metálico, si están disponibles, para maximizar el flujo del aire.

También use el cálculo (a la izquierda) para calcular el recorrido total del conducto disponible al usar codos, transiciones y topes.

SIEMPRE, de ser posible, reduzca el número de transiciones y giros. Si se trata de un conducto largo, aumente el tamaño del conducto de 6" a 7 u 8".

Si se usa un reductor, instale un reductor largo en lugar de un adaptador reductor. Reduzca el tamaño del conducto tan lejos de la apertura como sea posible.

Si se requieren hacer giros o transiciones: instale lo más lejos posible lejos de la apertura y lo más separado posible entre las dos piezas.

PREPARACIÓN DE LA INSTALACIÓN

- * Enchufe y verifique que todo se encuentre en funcionamiento.
- * Retire el filtro deflector de acero inoxidable y la bandeja de grasa.

HERRAMIENTAS Y MATERIALES NECESARIOS (No incluidos)



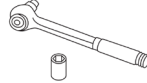
Lápiz y cinta métrica



Cinta adhesiva



Pinza/cortacables



Llave



Martillo



Sierra de punta



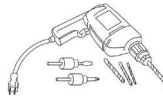
Nivel



Anteojos de seguridad



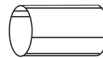
Escalera portátil



Taladro eléctrico o con batería y brocas de 1/8", 3/8"



Tuercas para cable



Conducto de metal redondo de 10", longitud para adaptarse a la instalación



Pinza



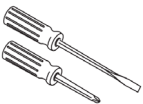
Tijera para metal



Sierra de sable



Linterna



Destornilladores

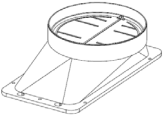


Aliviador de tensión para la unión de la cubierta



120V 60Hz. 15 o 20 amperes, 2 conductores con tierra. Circuito debidamente conectado a tierra.

ACCESORIOS INCLUIDOS



Adaptador de salida
redondo de 6" con
amortiguador (2x)



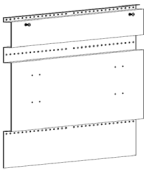
Tubo redondo de 6"



Placa de calentamiento



Luz de calor infrarroja



Soporte de montaje



Protector contra
salpicaduras

SCREWS PROVIDED



Tornillos autorroscantes
M3.5x30mm (18x)



Tornillos autorroscantes M4x12mm
(2x)



Tornillos M4x10mm con arandelas
planas (2x)



Tornillos autorroscantes M4x8mm
(10x)

INSTRUCCIONES DE INSTALACIÓN

- Use un nivel para dibujar la ubicación de la línea central de la cocina. Dibuje la línea hasta la altura del techo.
- Use un nivel para dibujar la ubicación de la superficie de la placa de cocción.

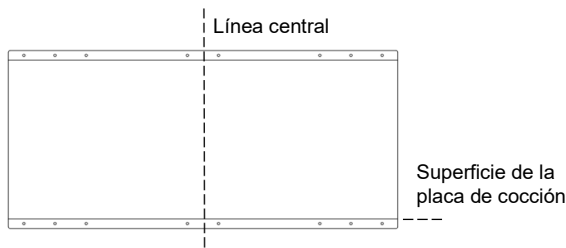
INSTALACIÓN DEL PROTECTOR CONTRA SALPICADURAS

Retire el embalaje.

Coloque el protector contra salpicaduras contra la pared y haga coincidir la línea central y la superficie de la placa de cocción.

Monte el protector contra salpicaduras en la pared a través de los agujeros en la parte superior e inferior utilizando tornillos autorroscantes M3.5x30mm (2x en la parte superior, 2x en la parte inferior)

NOTA: Asegúrese de que los tornillos se instalen lo mejor posible en los montantes verticales de la pared.



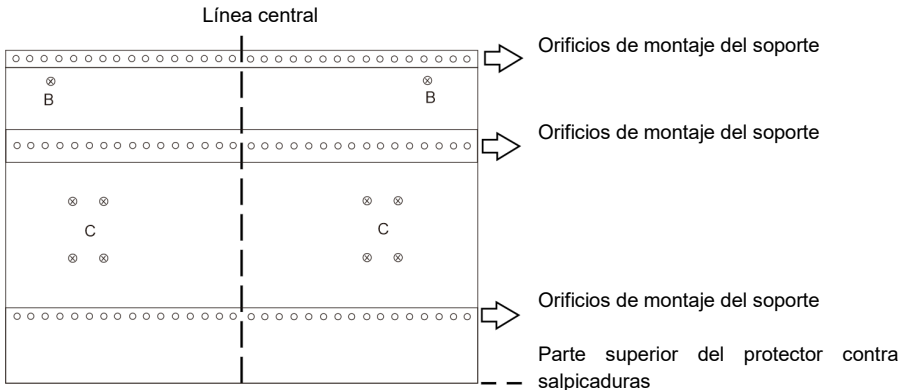
INSTALACIÓN DEL SOPORTE DE MONTAJE EN LA PARED

Retire el embalaje.

Coloque el soporte de montaje contra la pared, alinéelo con la línea central y siéntelo en la parte superior del protector contra salpicaduras.

Use tornillos autorroscantes M3.5x30mm para fijar el soporte a la pared a través del orificio en la parte superior, central, inferior del soporte de montaje (4x en la parte superior, 4x en el centro, 4x en la parte inferior).

NOTA: Asegúrese de que los tornillos se instalen lo mejor posible en los montantes verticales de la pared.



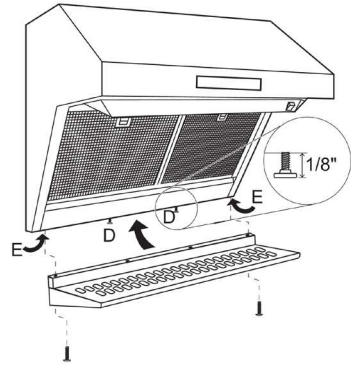
INSTALACIÓN DE LA PLACA DE CALENTAMIENTO A LA CAMPANA EXTRACTORA

- Instale 2x tornillos autorroscantes M4x8mm en los agujeros "D" en la parte inferior del borde de la campana, dejando un espacio de 1/8".

- Retire el embalaje y la película protectora (si corresponde).

- Fije la placa de calentamiento a la parte inferior de la campana insertando la parte superior de los tornillos autorroscantes en las ranuras de ojo de cerradura en la parte superior del estante. Deslice el estante hacia la izquierda para bloquearlo en su lugar.

- Apriete 2x tornillos M4x10mm y arandelas atravesando la parte inferior de la placa al borde de la campana en la posición de "E".

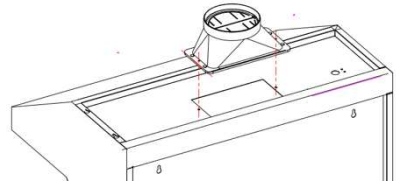


INSTALACIÓN DE LA CAMPANA EXTRACTORA EN LA PARED SALTEE ESTE PASO SI LO INSTALA BAJO UN PLAFÓN O ARMARIOS

Instale el adaptador de salida en la parte superior de la campana extractora
IMPORTANTE: Verifique que el amortiguador se mueva libremente

- Coloque el adaptador de salida (1x) sobre el escape de la campana extractora y asegúrelo con 2x tornillos autorroscantes M4x12mm.

- Use cinta adhesiva para sellar la conexión. Verifique que el amortiguador se mueva libremente.



Colgar la campana extractora en el soporte de montaje

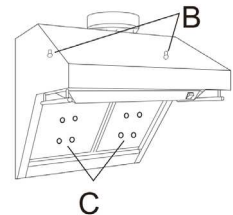
Levante la campana y sosténgala cerca del soporte de montaje. Alinee los agujeros de montaje en la posición "B".

Asegúrese de que la cabeza del tornillo en el soporte se enganche en las ranuras del ojo de la cerradura en la parte posterior de la campana. Deslice hacia abajo la campana para que quede colgada correctamente en el soporte.

Apriete los tornillos en la posición "B".

Asegúrese de que la campana esté nivelada y centrada. 8 agujeros en las posiciones "C" deben alinearse correctamente con los agujeros del soporte.

Instale los tornillos autorroscantes de 8xM4x8mm a través de la parte posterior de la campana en las posiciones "C" y apriételos al soporte de montaje.



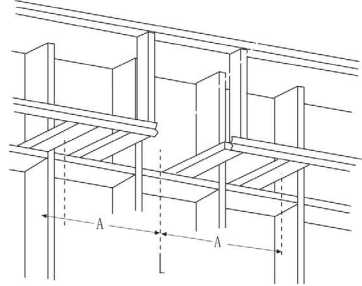
INSTALACIÓN DE LA CAMPANA DEBAJO DE LOS ARMARIOS O PLAFÓN

SALTEE ESTE PASO SI UTILIZA EL MÉTODO DE MONTAJE EN PARED

Se requiere una apertura mínima de 10-1/2" para la instalación de los conductos y de la campana.

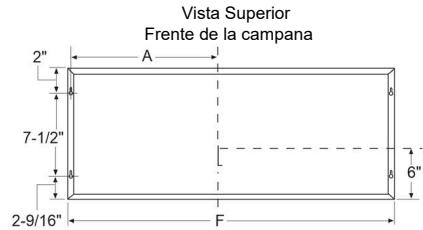
Si es necesario, la campana puede instalarse de modo que sea soportada por el plafón.

- El plafón debe construirse con 2x4.
- Determine en la pared la ubicación de instalación.
- Continúe la línea central hacia adelante en la parte inferior del gabinete o plafón.
- La abertura sobre la campana debe permitir ubicar el conducto redondo de 10" y dejar un espacio libre para deslizar la campana extractora contra la pared.



- Los pernos de 2 x 4 deben ubicarse como se muestra en la tabla, Dim.A para aceptar los tornillos de montaje.

	"A" Línea central a las vigas y ojo de cerradura	"F" Ancho de la campana en la parte superior
48"	23-9/16"	47-15/16"
36"	17-9/16"	35-15/16"
30"	14-9/16"	29-15/16"



Parte posterior de la campana

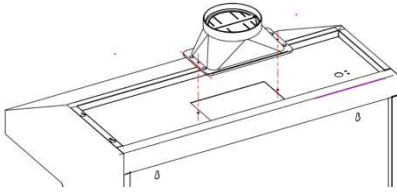
- Taladre agujeros piloto de 1/8" en los pernos en los lugares que se muestran en la ilustración de la vista superior.

IMPORTANTE: el marco de plafón debe ser capaz de soportar hasta 150 libras.

Instale el adaptador de salida en la parte superior de la campana.

IMPORTANTE: Verifique que el amortiguador se mueva libremente

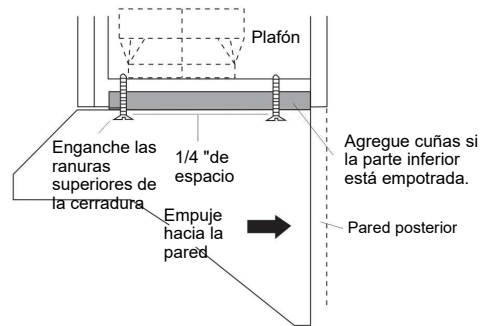
- Coloque el adaptador de salida (1x) sobre el escape de la campana y asegúrelo con 2x tornillos autorroscantes M4x12mm
- Use cinta adhesiva para sellar la conexión. Verifique que el amortiguador se mueva libremente.



INSTALACIÓN DE LA CAMPANA SOBRE LOS ARMARIOS O PLAFÓN

Nota: Si se monta en la parte inferior de un armario con un fondo empotrado, instale cuñas para llenar el espacio.

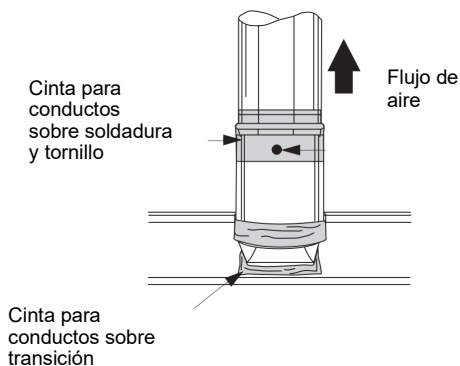
- Introduzca los tornillos de montaje en los pernos hasta que sobresalgan 1/4 ". Este espacio de 1/4" proporcionará el lugar para enganchar las ranuras de cerradura en la parte superior de la campana.
- Levante y coloque la campana a la posición de instalación.
- Levante la campana sobre los tornillos de montaje. Deslice hacia atrás contra la pared posterior.
- Ajuste los tornillos de montaje.



IMPORTANTE: Para un soporte adicional y para minimizar la vibración durante el funcionamiento, la campana debe estar asegurada a la pared posterior. Use anclajes de pared para sujetar la parte inferior de la campana a la pared.

CONEXIÓN DEL CONDUCTO

- Instale el conducto, haciendo conexiones en dirección del flujo de aire como se ilustra a continuación.
- Envuelva todas las juntas de los conductos con cinta adhesiva para un sellado hermético.
- Use cinta adhesiva para sellar la conexión del borde. Alcance el regulador dentro de la campana y empujelo hacia arriba para asegurarse de que se mueva libremente.



INSTALACIÓN DE LOS FILTROS

- Vuelva a montar la bandeja de grasa y los filtros deflectores en la campana.

Conexión eléctrica

* El cableado eléctrico debe ser realizado por personas calificadas de acuerdo con todos los códigos y estándares aplicables.

Corte el suministro de energía eléctrica antes de realizar el cableado.

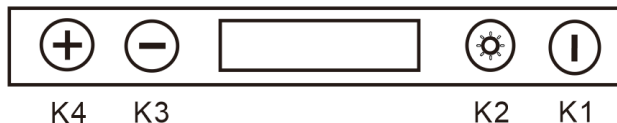
* Si el cable de alimentación está dañado, debe ser reemplazado por el fabricante, su agente de servicio o personal calificado para evitar cualquier riesgo.

* No utilice un enchufe ni un cable de extensión que no sean los que se suministraron inicialmente con la campana extractora.

* La conexión a tierra de esta campaña es obligatoria. No retire la toma a tierra del enchufe. Evitar el riesgo de incendio, descarga eléctrica o lesiones a personas, por limpieza y mantenimiento por parte del usuario, como la lubricación.

Desconectar el aparato de la fuente de alimentación antes de realizar el mantenimiento.

FUNCIONAMIENTO



K1: Botón de encendido

Cuando la campana extractora está encendida, presione el botón K1 para operar el Temporizador de Retardo de Apagado. El tiempo de funcionamiento del temporizador es de 15 minutos, la campana extractora se apagará cuando el tiempo llegue a 0. Si presiona el botón K1 nuevamente, la campana extractora se apagará.

Cuando la campana extractora esté apagada, presione y mantenga presionado el botón K1 durante 3 segundos para ingresar al modo ajuste del reloj, presione el botón de aumento K4 y/o el botón de disminución K3 para ajustar la hora. Puede presionar el botón K1 nuevamente para ajustar los minutos, y también presionar el botón de aumento K4 y el botón de disminución K3 para ajustar los minutos.

K2: Botón de luz

Presione este botón para encender la luz y una segunda vez para apagarla.

K3, K4: Botón de disminución y botón de aumento

Presione estos dos botones para ajustar la velocidad cuando la campana esté encendida, o para ajustar el tiempo cuando la campana extractora está en modo reloj.

MANTENIMIENTO Y LIMPIEZA:

Mantenimiento de la superficie

Limpie periódicamente con agua caliente con jabón y un paño de algodón limpio. No utilice detergentes corrosivos o abrasivos (p. Ej., polvo exfoliante, limpiador de horno EZ-Off) ni esponjas de lana de acero que puedan rayar y dañar la superficie.

Para suelos más pesados, utilice desengrasante líquido como el limpiador de marca "Formula 409" o "Fantástico".

Después de la limpieza, puede usar limpiadores / pulidores de acero inoxidable no abrasivos como 3M o ZEP, para pulir y sacar el brillo del acero inoxidable. Frote siempre ligeramente, con un paño de algodón limpio.

Filtros deflectores de acero inoxidable:

Los filtros instalados por fábrica están destinados a filtrar residuos y grasa de la cocción. No es necesario reemplazarlos regularmente, pero deben mantenerse limpios.

Los filtros deben limpiarse cada 30 horas de uso.

Retírelos y límpielos a mano en un recipiente con agua caliente y jabón. El filtro también es apto para lavavajillas.

Si el filtro está muy sucio, rocíelo con "Formula 409" o un detergente desengrasante equivalente y déjelo en remojo.

Seque los filtros y vuelva a instalarlos antes de usar la campana.

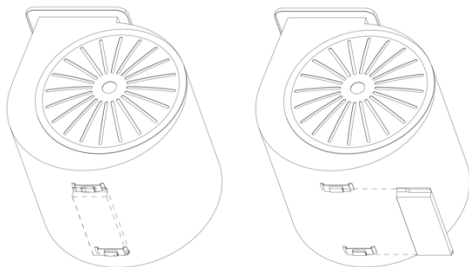
Copa de aceite

La copa de aceite se debe limpiar a menudo según el volumen de aceite en la copa.

Límpiala a mano en un recipiente con agua caliente y jabón.

Si está muy sucia, rocíe "Formula 409" o un detergente desengrasante equivalente y déjela en remojo.

Deslice la copa de aceite hacia afuera / adentro de la ranura de la parte inferior del bloque.



Limpieza de la campana

La saturación de residuos grasos en el ventilador y los filtros puede aumentar la inflamabilidad. Mantenga la unidad limpia y libre de grasa y acumulación de residuos en todo momento para evitar posibles incendios.

Los filtros deben limpiarse periódicamente y sin acumulación de residuos de cocción (consulte las instrucciones de limpieza interior). Los filtros viejos y desgastados deben reemplazarse de inmediato. No haga funcionar los ventiladores cuando se quitan los filtros. Nunca desarme las piezas para limpiarlas sin las instrucciones adecuadas. Se recomienda que el desmontaje sea realizado solo por personal calificado. Llame a nuestro centro de servicio para obtener instrucciones en caso de tener que desecharlo.

El acero inoxidable es uno de los materiales más fáciles de mantener limpios. Un cuidado frecuente ayudará a preservar su buena apariencia.

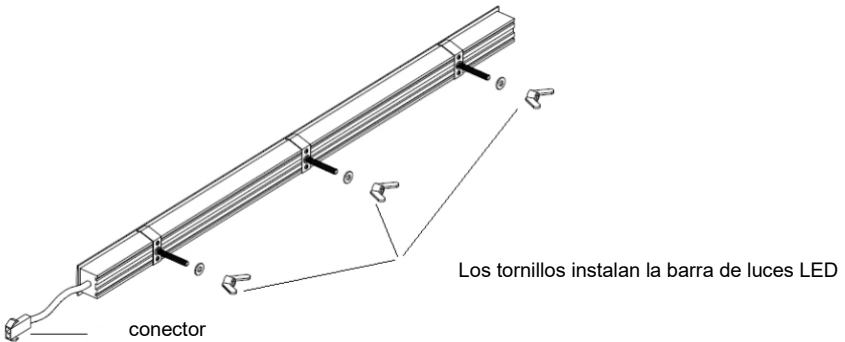
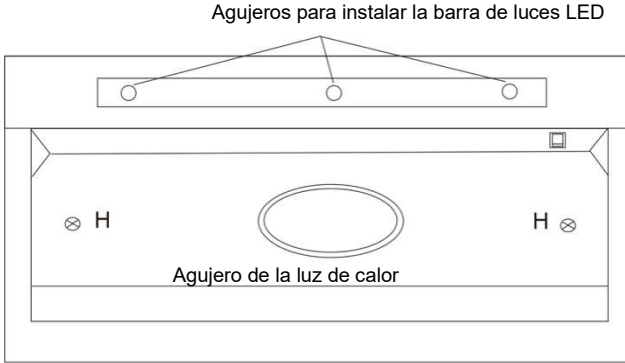
Consejo de limpieza:

- * Agua caliente con jabón o detergente es todo lo que generalmente se necesita.
- * Enjuague con agua limpia. Seque con un paño limpio y suave para evitar marcas de agua.
- * Para decoloraciones o depósitos que persisten, use un limpiador doméstico que no raye o un polvo para pulir acero inoxidable con una pequeña cantidad de agua y un paño suave.
- * Para manchas difíciles, use una esponja de plástico o un cepillo de cerdas suaves junto con un limpiador y agua. Frote ligeramente en la dirección de las líneas de pulido o "grano" del acabado inoxidable. Evite ejercer demasiada presión que pueda dañar la superficie.
- * No deje que los depósitos permanezcan durante mucho tiempo.
- * No utilice esponja de acero ordinaria o cepillos de acero. Pequeñas partes del acero pueden adherirse a la superficie y causar óxido.
- * No permita que soluciones salinas, desinfectantes, blanqueadores o compuestos de limpieza permanezcan en contacto con el acero inoxidable por un período prolongado. Muchos de estos compuestos contienen químicos que pueden ser dañinos. Enjuague con agua después de la exposición y seque con un paño limpio.
- * Las superficies pintadas deben limpiarse solo con agua tibia y detergente suave.

LUZ

ADVERTENCIA

Asegúrese de que las luces se hayan apagado durante algún tiempo y que la fuente de alimentación se haya desconectado antes de reemplazar cualquier bombilla de luz. Tenga en cuenta que la luz se seguirá percibiendo durante un breve período de tiempo después de apagarse.



Cómo reemplazar la luz LED de rayas

Paso 1: Retire el panel de luz con tornillos en la ubicación "H"

Nota: Tenga mucho cuidado y asegúrese de no dañar la campana extractora

Paso 2: gire los tres tornillos en sentido antihorario ubicados en la parte posterior de la luz LED

Paso 3: retire la luz LED a través del conector

Reemplace la nueva barra de luces LED con conector e instale tres tornillos ajustándolos en sentido horario, fije el panel de luz en la campana con los tornillos en la ubicación "H"

Cómo instalar la luz de calor

Luz de calor infrarroja --110V / 60Hz, 220W, tipo E26

Coloque la luz en el soporte de la luz, gire en sentido horario para ajustarla. Gire la luz de calor en sentido antihorario para desmontarla.

ADVERTENCIA

PRECAUCIÓN-SUPERFICIE CALIENTE

Lámpara de calor, clasificada 120 VCA, 220 W

Desconectar de la fuente de energía antes de instalar la luz

PRECAUCIÓN: NO TOQUE LAS UNIDADES DE SUPERFICIE O LAS ÁREAS CERCA DE LAS UNIDADES: las unidades de superficie pueden estar calientes, aunque sean de color oscuro. Las áreas cercanas a las unidades de superficie pueden calentarse lo suficiente como para causar quemaduras. Durante y después del uso, no toque ni permita que la ropa u otros materiales inflamables entren en contacto con las unidades de superficie o áreas cercanas a las unidades hasta que hayan tenido tiempo suficiente para enfriarse. Entre estas áreas se encuentran (identificación de áreas, por ejemplo) la placa de cocción y las superficies orientadas hacia la placa de cocción.