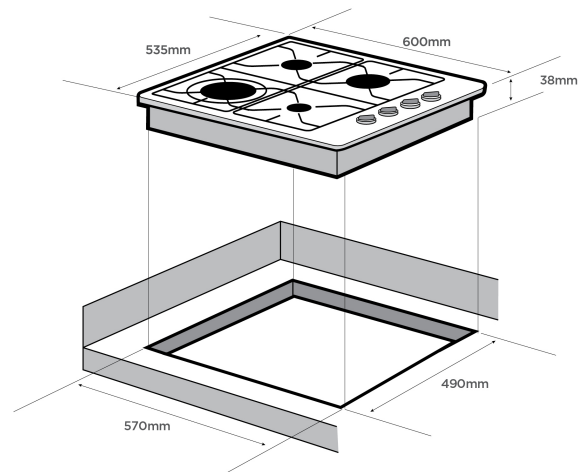


WHG640WB

60cm white enamel gas cooktop with FamilySafe (TM) trivets and easy ignite under knob ignition.

Features

- Easy ignite
- Easy clean enamel
- FamilySafe Flame Failure Device
- Enamelled wire trivets
- LP Gas Conversion kit included



For more information on all Westinghouse appliances, or for dimension and installation information, call into your retailer, phone or email our customer care team or visit our website.

DIMENSIONS

Total product height (mm) - 38, Total product width (mm) - 600, Total product depth (mm) - 535, Cut out width (mm) - 570, Cut out depth (mm) - 490