

# Stand Mixer

User's manual

EN



**SENCOR®**

SBL 5370WH  
SBL 5371BK  
SBL 5372RD

Prior to using this appliance, please read the user's manual thoroughly, even in cases, when one has already familiarised themselves with previous use of similar types of appliances. Only use the appliance in the manner described in this user's manual. Keep this user's manual in a safe place where it can be easily retrieved for future use.

We recommend saving the original cardboard box, packaging material, purchase receipt and responsibility statement of the vendor or warranty card for at least the duration of the legal liability for unsatisfactory performance or quality. In the event of transportation, we recommend that you pack the appliance in the original box from the manufacturer.

EN-1

## TABLE OF CONTENTS

IMPORTANT SAFETY INSTRUCTIONS .....	3
DESCRIPTION OF THE APPLIANCE .....	6
BEFORE FIRST USE .....	7
ASSEMBLING AND DISASSEMBLING THE APPLIANCE .....	7
OPERATING THE APPLIANCE .....	7
ADVICE AND TIPS FOR BLENDING .....	8
QUICK GUIDE TO PROCESSING INGREDIENTS.....	9
CLEANING AND MAINTENANCE.....	9
STORAGE.....	9
TECHNICAL SPECIFICATIONS .....	10
INSTRUCTIONS AND INFORMATION REGARDING THE DISPOSAL OF USED PACKAGING MATERIALS ....	10
DISPOSAL OF USED ELECTRICAL AND ELECTRONIC EQUIPMENT.....	10

## IMPORTANT SAFETY INSTRUCTIONS READ CAREFULLY AND STORE FOR FUTURE USE.

- This appliance may be used by persons with physical or mental impairments or by inexperienced persons, if they are properly supervised or have been informed about how to use the product in a safe manner and understand the potential dangers.
- Children must not use this appliance or play with it. Keep this appliance and the power cord out of reach of children.
- Before connecting this appliance to a power socket, make sure the voltage stated on its rating label corresponds to the voltage in your power socket.
- Only use the appliance with the original accessories that came with it.
- The appliance is intended and designed for processing a standard amount of food in the household.
- Do not use the appliance for any other purposes than those for which it is intended.



### **Warning:**

Improper use can lead to injury.

- Do not use the appliance in an industrial environment or outdoors.
- Do not place the appliance on an electric or gas stove or in its vicinity, on the edge of a table or on an unstable surface. Only place the appliance on an even, dry and stable surface.
- Make sure that the appliance is correctly assembled before putting it into operation.
- Pay increased attention when handling hot liquids, because they may release steam or they could spray and cause burns. Hot liquids or foods need to be allowed to cool down to at least 45 °C before being placed inside the blending jar.

# Stand Mixer

SBL 5370WH / SBL 5371BK / SBL 5372RD

- Do not leave the appliance in continuous operation for longer than 2 minutes. Before turning it on again, allow it to cool down for at least 2 minutes. When processing hard foods or liquids with a very thick consistency, do not leave the appliance in continuous operation for longer than 1 minute.
- The appliance is equipped with a thermal fuse protecting the motor from damage in case of overload. If automatic shut-off of the appliance occurs in consequence of motor overload, disconnect it from the network socket and let it cool for at least 15 minutes. Then bring the appliance back into operation.
- While blending, do not put your hands or items, such as kitchen knives, forks or wooden spoons into the blending jar. Otherwise, an injury could occur or the appliance could be damaged.
- If ingredients stick to the blade assembly or inside walls of the blending jar, switch it off and unplug it from the power supply. Make sure that the blade assembly has stopped rotating. Carefully remove the blending jar from the motor unit. Remove the lid and using a plastic spatula clean the blade assembly and the walls of the blending jar. Put the lid back on and reattach the blending jar to the motor unit. Plug the power cord into a power socket and continue blending.
- Do not submerge the motor unit and its power cord in water or any other liquid, or wash these parts under running water.
- When handling the blade assembly, when taking it out of the blending jar or grinder, when emptying the blending jar and when cleaning it, take special care to avoid injury. The blades are sharp.
- Do not turn the appliance on when empty. The incorrect use of the appliance may negatively affect its lifetime.
- Always turn off the appliance and disconnect it from the power socket if you will not be using it and if you will be leaving it without supervision, before assembly, disassembly and before cleaning or moving it.

# Stand Mixer

SBL 5370WH / SBL 5371BK / SBL 5372RD

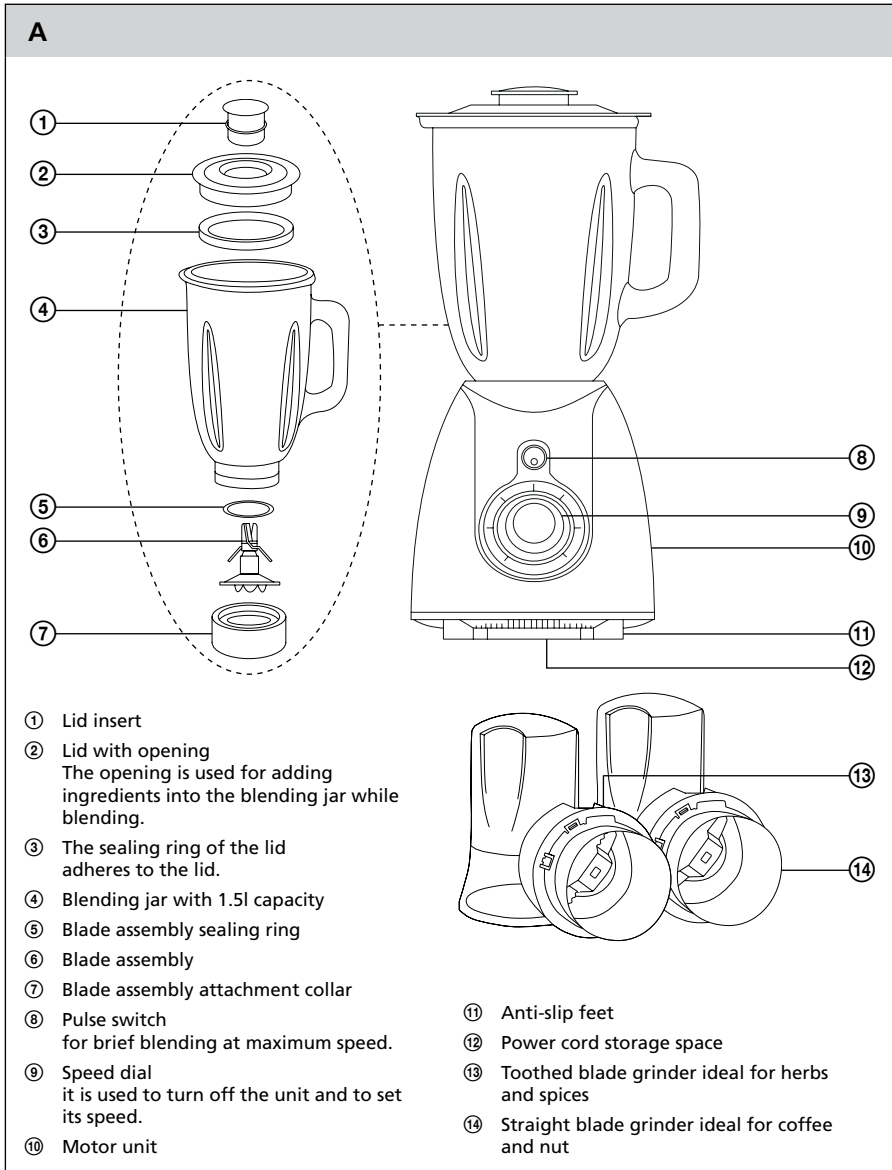
EN

- Check that the motor unit is turned off, disconnected from the power socket and that the rotating parts have come to a complete stop before removing the blending jar or grinder from the motor unit.
- Ensure that the power plug contacts do not come into contact with moisture. Do not place heavy items on the power cord. Make sure the power cord does not hang over the edge of a table or that it does not touch a hot surface.
- Do not disconnect the appliance from the power socket by pulling on the power cord. This could damage the power cord or the power socket. Disconnect the cord from the power socket by gently pulling on the plug of the power cord.
- If the power cord is damaged, have it replaced at a professional service centre. It is forbidden to use the appliance if it has a damaged power cord or plug.
- Do not use the appliance when it is not functioning properly or showing signs of damage.
- In order to prevent a hazardous situation arising, do not repair the appliance yourself or modify it in any way. Have all repairs performed at an authorised service centre. By tampering with the appliance you risk voiding your legal rights arising from unsatisfactory performance or quality warranty.

# Stand Mixer

SBL 5370WH / SBL 5371BK / SBL 5372RD

## DESCRIPTION OF THE APPLIANCE



# Stand Mixer

SBL 5370WH / SBL 5371BK / SBL 5372RD

EN

## BEFORE FIRST USE

1. Take the appliance and its accessories out of the packaging materials.
2. All parts (lid insert A①, lid A② with sealing ring A③, blending jar A④, blade assembly sealing ring A⑤, blade assembly A⑥, attachment collar A⑦ and grinders A⑬ and A⑭), which are designed for contact with food, must be washed thoroughly using hot water and a neutral kitchen detergent. Then rinse them under clean running water and thoroughly wipe dry with a fine wiping cloth or allow them to dry naturally.



### Attention:

When cleaning the blade assembly take special care to avoid injury. The blades are sharp.

## ASSEMBLING AND DISASSEMBLING THE APPLIANCE

- Before you start assembling or disassembling the appliance, check that the motor unit A⑩ is turned off and disconnected from the power socket and that the rotating parts have come to a complete stop.
- 1. Assembling and disassembling the blending jar**
    - 1.1 Place the blade assembly A⑥ into the attachment collar A⑦. Place the sealing ring A⑤ on the blade assembly A⑥, and make sure it adheres along its entire perimeter to the blade assembly A⑥.
    - 1.2 Place the attachment collar A⑦ with inserted blade assembly A⑥ and sealing ring A⑤ on the blending jar A④ from the bottom. Screw the collar A⑦ to the jar A④ and tighten firmly.
    - 1.3 Insert the lid insert A① into the opening of the lid A② and turn clockwise to secure it. When you have placed all the necessary ingredients into the blending jar A④, close it with the assembled lid. The lid needs to be properly pushed down along the entire perimeter so that it adheres well to the edge of the blending jar A④.
    - 1.4 When disassembling the blending jar, proceed in the reverse sequence.
  - 2. Attaching the blending jar to the motor unit and its removal**
    - 2.1 Place the motor unit A⑩ on an even, dry surface, for example on a kitchen countertop. Place the assembled blending jar on to the motor unit A⑩ and press it down to assure its securing to the motor unit A⑩. The assembled blending jar can be seated on the motor unit A⑩ in two directions. The handle faces either right or left.
    - 2.2 To remove, simply lift up the blending jar A④.

## OPERATING THE APPLIANCE

1. Make sure that the speed dial A⑨ is set to position OFF and that the motor unit A⑩ is disconnected from the power socket.
2. Assemble the blender according to the instructions in the chapter Assembling and disassembling the appliance.
3. Place the food or pour the liquids that you wish to blend into the blending jar A④. Close the blending jar A④ tightly using the lid according to the instructions in the chapter Assembling and disassembling the appliance.



### Note:

The maximum capacity of the blending jar A④ is 1.5l. We do not recommend filling the blending jar with an amount of fluid greater than 1.2l. Fluids that take up more volume while blending are best prepared in smaller batches.

# Stand Mixer

SBL 5370WH / SBL 5371BK / SBL 5372RD

- Connect the power cord to the power socket and set the speed dial A⑨ to the required speed level. We recommend first setting a slower speed to allow the ingredients to mix together. Then set a higher speed as needed. While blending, always use your hand to hold down the lid A② from above. The pulse level is appropriate when you wish to briefly blend ingredients at the highest speed. To start the pulse level, press with switch A⑧ and hold it down as long as you want to blend at the highest speed. Once you release the switch A⑧, the pulse level automatically switches off.



#### Note:

The pulse switch A⑧ is functional even though the speed dial A⑨ is set to OFF.



#### Attention:

The maximum operating time is 2 minutes. Do not leave the appliance in continuous operation for longer than indicated above. Then allow the appliance to cool down for 2 minutes. When processing hard food or liquids with a very thick consistency, do not leave the appliance in continuous operation for longer than 1 minute.

- After removing the lid insert A①, you can add food or fluids into the blending jar A④ while blending. To remove the lid insert A①, turn it counter-clockwise and take it off. The lid insert A① can also be used as a receptacle for adding ingredients.
- In the event that food is sticking to the blade assembly A⑥ or the walls of the blending jar A④, turn the appliance off by turning the speed dial A⑨ to position OFF and disconnect it from the power socket. Make sure that the blade assembly A⑥ has stopped rotating. Carefully remove the assembled blending jar from the motor unit A⑩. Take off the lid A② and using a plastic spatula, clean the blade assembly A⑥ and the walls of the blending jar A④. Put the lid A② back on and reattach the blending jar to the motor unit A⑩. Plug the power cord into a power socket and continue blending.
- After you have finished using the appliance, set the speed dial A⑨ to position OFF and disconnect the power cord from the power socket. Check that the blade assembly A⑥ has stopped rotating and take the blending jar off the motor unit A⑩. Use a soft plastic spatula to remove ingredients from the blending jar A④.
- Disassemble the blending jar according to the instructions contained in the chapter Assembling and disassembling the appliance, and clean it according to the instructions in the chapter Cleaning and maintenance.

## ADVICE AND TIPS FOR BLENDING

- First cut food with a firm consistency such as fruit and vegetables into smaller pieces measuring 2 to 3 cm and only then blend it.
- First blend a smaller amount of ingredients and gradually add the remaining ingredients through the opening in the lid A② while blending. In this way, you will achieve better results than by adding all ingredients into the blending jar A④ at once.
- If you need to blend food of a solid consistency together with liquids, we recommend that you first blend the food with a smaller amount of the liquids. Then gradually add the remaining liquids through the hole in the lid A② while blending. While blending, always use your hand to hold down the lid A② from above.
- To blend very thick liquids, we recommend using the pulse level so that the blade assembly A⑥ does not get jammed frequently. Start the blender repeatedly in short intervals.
- Ice cubes must be processed immediately upon being removed from the freezer. When the ice starts to melt, the ice cubes will stick together and it will not be possible to blend them.

# Stand Mixer

SBL 5370WH / SBL 5371BK / SBL 5372RD

EN

## QUICK GUIDE TO PROCESSING INGREDIENTS

Ingredients	Speed selection	Recommended blending time
Fruit, vegetables cut into smaller pieces	4–6	30 s
Baby food	4–5	40 s
Spreads, dressings, marinades	2–3	30 s
Smoothies and cocktails	5–6	40 s
Soups	3–4	30 s
Ice cubes	pulse level	–



### Note:

The above food processing times are only a reference. The actual blending time depends on the size of the ingredients, their amount and the required final consistency.

## CLEANING AND MAINTENANCE

- Before cleaning the appliance, always switch it off by setting the speed control knob A⑨ to the OFF position and disconnect it from the power socket. Make sure the rotating parts have stopped and remove the assembled blending jar from the motor unit A⑩.
- After emptying, disassemble the assembled blending jar according to the instructions in the chapter Assembling and disassembling the appliance. Thoroughly wash the individual parts of the blending jar using warm water and a neutral kitchen detergent. Then rinse them under clean running water and thoroughly wipe dry with a fine wiping cloth or allow them to dry naturally. Proceed in the same manner when cleaning the grinders A⑬ and A⑭.



### Attention:

When removing and the blade assembly take special care to avoid injury. The blades are sharp.

- To clean the outer surface of the motor unit A⑩, use a cloth dipped in a weak detergent solution. After applying the kitchen detergent, wipe the surface with a cloth lightly dampened in clean water and then wipe dry.
- Never submerge the motor unit A⑩ or the power cord in water or in any other liquid. Do not use thinners or solvents or cleaning agents causing abrasion to clean the appliance. Otherwise the surface of the appliance may be damaged.

## STORAGE

- If you will not be using the appliance, store it in a dry place out of children's reach.

## TECHNICAL SPECIFICATIONS

Rated voltage range .....	220–240 V
Rated frequency .....	50/60 Hz
Rated power input .....	500 W
Protection class (against electric shock) .....	II
Noise level.....	86 dB(A)

The declared noise emission level of the appliance is 86 dB(A), which represents a level A of acoustic power with respect to a reference acoustic power of 1 pW.

### Glossary of technical terms

#### Level of protection against electric shock:

Class II – Electric shock protection is provided by double or reinforced insulation.

Changes to text and technical parameters are reserved.

## INSTRUCTIONS AND INFORMATION REGARDING THE DISPOSAL OF USED PACKAGING MATERIALS

Dispose of used packaging material at a site designated for waste in your municipality.

## DISPOSAL OF USED ELECTRICAL AND ELECTRONIC EQUIPMENT



This symbol on products or original documents means that used electric or electronic products must not be added to ordinary municipal waste. For proper disposal, renewal and recycling hand over these appliances to determined collection points. Alternatively, in some European Union states or other European countries you may return your appliances to the local retailer when buying an equivalent new appliance.

Correct disposal of this product helps save valuable natural resources and prevents potential negative effects on the environment and human health, which could result from improper waste disposal. Ask your local authorities or collection facility for more details.

In accordance with national regulations penalties may be imposed for the incorrect disposal of this type of waste.

#### For business entities in European Union states

If you want to dispose of electric or electronic appliances, ask your retailer or supplier for the necessary information.

#### Disposal in other countries outside the European Union.

This symbol is valid in the European Union. If you wish to dispose of this product, request the necessary information about the correct disposal method from the local council or from your vendor



This appliance meets all the basic requirements of EU directives related to it.