

# KALORIK®

Since 1930

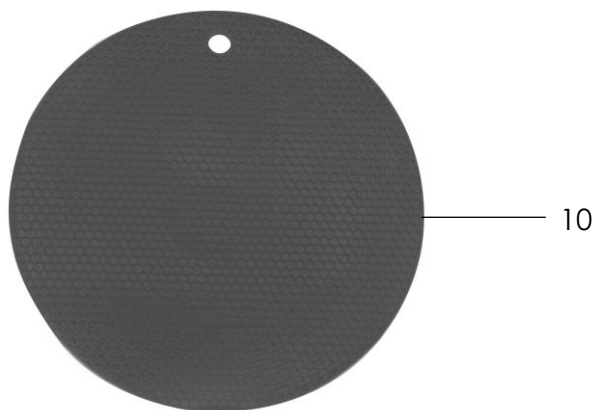
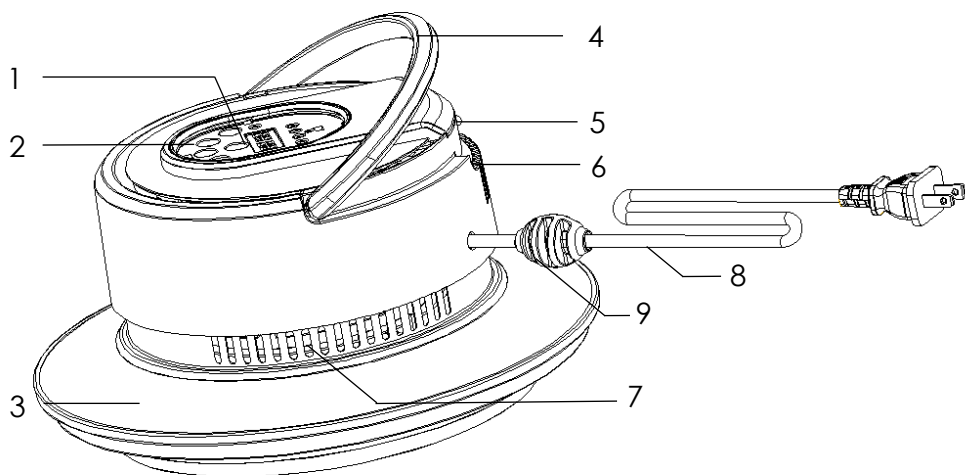


## AIR FRYER LID TAPA FREIDORA DE AIRE COUVERCLE FRITEUSE À AIR CHAUD

EN.....2  
ES.....21  
FR.....40

# PARTS DESCRIPTION

---



# PARTS DESCRIPTION

---

1. LED screen
2. Control panel
3. Glass lid
4. Handle
5. Safety switch
6. Air inlet
7. Air outlet
8. Power cord
9. Silicone protective ball
10. Silicone mat

## TECHNICAL SPECIFICATIONS

<b>Model</b>	<b>Voltage</b>	<b>Wattage</b>
FT 46587 BK	120V, 60Hz	1400W

# IMPORTANT SAFEGUARDS

---

When using electrical appliances, basic safety precautions should always be followed, including the following:

## **Read all instructions before use.**

1. Check that the voltage in your home corresponds to that stated on the appliance.
2. Do not touch hot surfaces. Always use the handle or wear oven mitts for protection.
3. To protect against electrical shock, fire, or personal injury, do not immerse cord, plugs, or the appliance in water or other liquid, to avoid risk of a short circuit.
4. The main engine contains electronic components and a heating system. Do not immerse the appliance in water or wash the main engine under the faucet.
5. Close supervision is necessary when any appliance is used by or near children. As a rule, this appliance is not intended to be used by children.
6. Do not block or cover the air inlet and air outlet when the machine is working. This can cause uneven cooking or damage to the appliance.
7. Do not operate appliance with a damaged cord or plug. Do not operate after the appliance malfunctions or has been damaged in any manner.
8. Do not plug, unplug, or operate the power supply or the machine with wet hands.
9. Do not connect this appliance with an external timing switch or device as it may be dangerous.
10. The use of accessory attachments not recommended by the appliance manufacturer may cause injuries.
11. Do not use outdoors.
12. Do not let the cord hang over the edge of a table or counter. Do not let it come in contact with hot surfaces.
13. Do not place on or near a hot gas, electric burner, oven, or microwave.
14. Do not use the appliance for anything other than intended use.
15. **Always ensure the electric pressure cooker being used during the cooking process is off and unplugged when using with the Air Fryer Lid.**

16. Unplug from outlet when not in use and before cleaning. Wait 30 minutes for the Air Fryer Lid to cool down before cleaning or putting in storage after use.
17. If the power cord is damaged, it must be replaced by the manufacturer.
18. A fire may occur if the appliance is covered or touching flammable material, including curtains, draperies, walls, and the like, when in operation. Do not store any items on top of the appliance when in operation.
19. Do not clean with metal scouring pads. Pieces can break off the pad and touch electrical parts, involving a risk of electric shock.
20. Do not cover any part with metal foil. This causes overheating.
21. Never use the Air Fryer Lid to deep fry food. Doing so can cause fire, damages to the unit and injury.
22. Do not leave unit unattended when in use.
23. During use of the appliance, hot steam is released through the air outlet openings. Keep your hands and face at a safe distance from the steam and air outlet openings. Also, be careful of hot steam and air when you remove the appliance.
24. Do not place the appliance against a wall or other devices. Make sure the appliance is placed in an open area.
25. **Leave at least 6 inches (15 cm) of free space on the back, sides and above the appliance, do not place anything on top of the device.**

## **Caution!!**

- *Always place the appliance on a horizontal, level, heat-resistant, and stable surface.*
- *This appliance is intended for normal household use only.*
- *Always unplug the appliance after use.*
- *Let the appliance cool down for at least 30 minutes before handling or cleaning it.*
- *The appliance is equipped with a safety micro switch that will shut the appliance off automatically if the handle is raised during cooking.*
- *Ensure the Air Fryer Lid is properly positioned and secured to the cooking vessel before use. Failure to ensure a proper connection could result in damage to the cooking vessel.*

- **DO NOT** let the cord touch or drop onto the lid. **DO NOT** use power outlets below counters. Failure to do so could result in melting or damage to the cord.

# SAVE THESE INSTRUCTIONS

## HOUSEHOLD USE ONLY

### POLARIZED PLUG

---

This appliance has a polarized plug (one blade is wider than the other). To reduce the risk of electric shock, this plug is intended to fit into a polarized outlet only one way. If the plug does not fit fully into the outlet, reverse the plug. If it still does not fit, contact a qualified electrician. Do not attempt to modify the plug in any way.

Do not let children handle or put the electrical cord into their mouths.

### SHORT CORD INSTRUCTIONS

---

A short power supply cord is provided to reduce the hazards resulting from becoming entangled in or tripping over a longer cord. It is not recommended to use an extension cord.

### KNOW YOUR AIR FRYER LID

---

Transform your ordinary cookware into an air fryer with the Kalorik Air Fryer Lid! This innovative air fryer lid instantly converts any 6, 7, or 8-quart pressure cooker into an air fryer. Its universal design also fits 8" and 10" pots and pans, offering even more versatility.

Featuring a hot airflow system, the Kalorik Air Fryer Lid circulates super-hot air around your food to achieve the same rich flavor and crispy results of an air fryer — without the need for a separate appliance.

Since air frying requires little to no oil, the Kalorik Air Fryer Lid reduces fat and calories for healthier cooking. That means you can indulge in your favorite decadent fried foods, without the guilt!

The Kalorik Air Fryer Lid features premium quality tempered glass that lets you monitor your food while cooking — no need to even lift the lid. Adjust time and temperature with its easy-to-use digital control panel or choose from four smart cooking presets for foolproof results. A built-in safety switch gives you peace of mind, while the heat-resistant silicone mat provides a surface to rest your lid without burning your countertop.

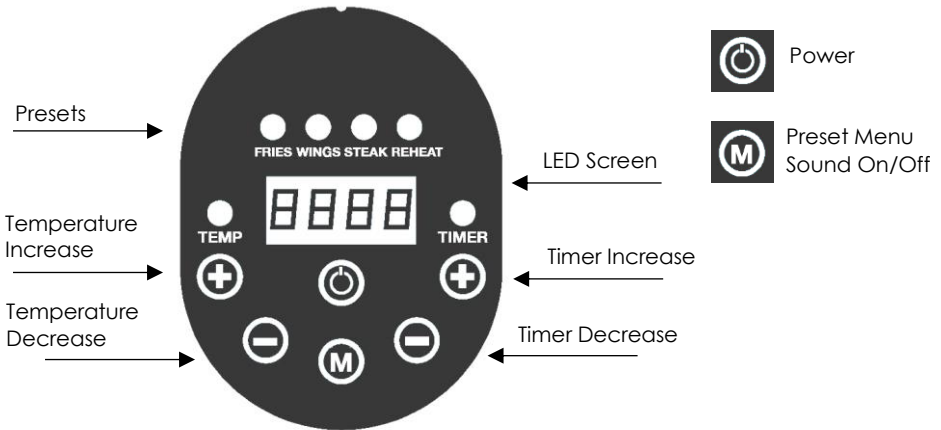
## BEFORE THE FIRST USE

---

- Remove all packaging materials from the inside and outside of the Air Fryer Lid.
- Gently wipe the outside with a damp cloth or paper towel. Dry thoroughly. Do not immerse the Air Fryer Lid or its plug into water or any other liquid.
- Find a pressure cooker, container, pot, or pan that properly fits the Air Fryer Lid and is heat resistant. The Air Fryer Lid can fit a 6-quart, 7-quart, or 8-quart pressure cooker. It is also suitable for pots and pans with a diameter of 8 inches to 10 inches. Make sure the Air Fryer Lid is properly positioned so no airflow can escape.
- Position the pressure cooker or container that will be used on a cool, flat and heat-resistant surface, making sure the surface is leveled, clean, and dry. If using a pressure cooker, always ensure the pressure cooker is off and unplugged.
- Before you prepare your ingredients, set the Air Fryer Lid on the black silicone mat. Always set the Air Fryer Lid on the silicone mat when the unit is not in use.
- **The Air Fryer Lid must be positioned at least 6 inches (15 cm) away from any surrounding objects and walls.**

# CONTROL PANEL

---



1. **Temperature Control:** Use these buttons to increase or decrease your cooking temperature. You can adjust default temperatures for every function before pressing the Power button and beginning the cooking process. Press + to increase and - to decrease. Temperature increases in increments of 5°F.
2. **Preset Menu:** Press to move through the different cooking functions (Fries, Wings, Steak, Reheat). The Preset Menu button also turns the sound of the appliance on and off. Simply press and hold the button for up to 5 seconds to turn off the sound. Repeat the same action to hear the beep again when using the appliance.
3. **Power:** This button powers the Air Fryer Lid on and off and is also used to start and pause the cooking process. Once you have selected your desired time and temperature, press the Power button to initiate your cooking process. You may also press Power at any time while in use to pause the cooking process.
4. **Time Control:** You can adjust default times for every function before pressing the Power button to begin the cooking process. Press + to increase and - to decrease.
5. **LED Display:** This displays time and temperature as well as the four different functions.

# OPERATING INSTRUCTIONS

---

1. Find cookware that properly fits the size of the Air Fryer Lid. Make sure there are no gaps as airflow should not escape from the sides during operation.

**Note:**

- The Air Fryer Lid adapts to standard 8" and 10" pot and pan sizes and is compatible with any 6, 7 or 8-quart pressure cookers.
- Container used for cooking with the Air Fryer Lid should be more than 4 inches deep.
- Temperatures rise much quicker when cooking with a pot or a pan than with the pressure cooker. Use extreme caution to prevent food from overcooking or burning, as this type of cookware may become extremely hot. Do not touch the surfaces to avoid risk of burns.
- It is best to leave 2 inches of distance between the Air Fryer Lid and your food. Do not let the food touch the electric heating element to avoid risk of fire.



**CAUTION**

- Ensure the Air Fryer Lid is properly positioned and secured to the cooking vessel before use. Failure to ensure a proper connection could result in damage to the cooking vessel.
  - When cooking with a pressure cooker, make sure the pot and base are both properly secured to prevent accidents such as burns or damage to the unit. It is also important to make sure the pressure cooker is not plugged into an outlet.
  - Always place the container that will be used to cook on a heat-resistant surface.
  - Always place the air fryer lid on its black silicone mat when not in use.
2. Position the Air Fryer Lid and either pressure cooker, pot or pan that will be used on a cool, flat and heat-resistant surface.
  3. Place your food into the container. If you wish to use an air fryer-safe accessory (trivet, basket, etc.), place it in the container before-hand. When using an accessory, make sure it fits adequately and allows the lid to be secured properly.

4. Grab the Air Fryer Lid by the handle and secure it to the container with the ingredients and food inside.
5. Push the safety switch and simultaneously lay the handle flat to a horizontal position until you hear a click sound. This will secure the lid's handle in place and will activate the safety switch. Activating this switch allows the Air Fryer Lid to turn on and operate. Note: If the lid's handle is not properly placed down, the Air Fryer Lid will not work.
6. Plug the Air Fryer Lid into an outlet.

 **CAUTION**

- **DO NOT** let the cord touch or drop onto the lid. **DO NOT** use power outlets below counters. Failure to do so could result in melting or damage to the cord.

7. Select your desired preset (Fries, Wings, Steak, or Reheat) by pressing the Menu button. Press the Menu button repeatedly to cycle through the different functions.
8. If you wish to use a custom time and temperature, simply press the Menu button, then use the time and temperature arrows to select your desired settings.
9. Press the Power button to initiate the cooking process.  
**Note: If the handle is lifted during the cooking process, the Air Fryer Lid will pause immediately. To resume, press the safety switch to push the handle back down completely and press the Power button again. The unit has a 2-minute memory function allowing users to pause the cooking process and resume with the setting it was operating in. If more than 2 minutes elapse after cooking is paused, presets will need to be readjusted to the desired time and temperature.**
10. During the cooking process, it is recommended that you check on the food being cooked through the transparent glass cover on the air fryer lid. Adjust the time and temperature if needed.
11. Stir or turn over the food regularly during cooking.
12. Once the cooking process is complete, you will hear 6 beeps from the unit. The Air Fryer Lid LED's display will show as OFF and the unit will take 2 additional minutes to cool down.
13. Once the unit has come to a complete stop, remove the Air Fryer Lid and place it on the silicone mat. Always place the Air Fryer Lid on the silicone mat when not in use.
14. Allow the Air fryer lid to cool down for about 30 minutes before cleaning or storing the appliance away. The temperature of the

surface area and top of the Air Fryer Lid will remain hot for a couple of minutes after operation is complete. Try to avoid moving or touching the unit.

### Tips:

- Do not use containers that are not heat-resistant, such as plastic, glass, ceramic plates, or paper to cook food using the Air Fryer Lid.
- For better results, preheat your cooking container using the Air Fryer Lid for about 3 to 5 minutes.
- For best and more uniform cooking results, shake or flip ingredients once or twice through the cooking process.
- When the Air Fryer Lid is running, the LED display will alternate between showing the set temperature and remaining time.
- Press the Power button or lift the Air Fryer Lid's handle to pause the cooking process at any time.
- Use oven gloves to extract hot food from the container.
- All food that can be cooked in a conventional oven can be cooked using the Air Fryer Lid.
- For better and more even results, it is recommended to use foods of similar size and thickness.
- Smaller amounts of food require less cooking time than larger amounts.
- To get the best results in the shortest possible time, fry food on a single layer.
- When making French fries using freshly cut potatoes, make sure to dry them thoroughly before cooking.

## SETTINGS

---

There are 4 preset programs included in the Air Fryer Lid, outlined in the table below. Please note, the time and temperature control buttons will allow you to adjust each setting if desired.

Preset	Default Time (HH:MM)	Default Temperature (°F)
Fries	0:20	450
Wings	0:20	450
Steak	0:16	450
Reheat	0:05	350

Below are cooking suggestions for each preset.

Preset	Cooking Suggestions
Fries	<ul style="list-style-type: none"> <li>• Flip or turn once or twice through the cooking process for more even cooking.</li> <li>• This function does not require oil, but a small portion may be added to enhance flavor.</li> <li>• We suggest using an air fryer-safe basket and trivet to shorten the distance between the heating element and your food, as well as improving airflow.</li> <li>• Do not overfill to allow for proper air circulation inside the container.</li> </ul>
Wings	<ul style="list-style-type: none"> <li>• Flipping or turning your wings once or twice through the cooking process ensures they are evenly cooked.</li> <li>• We suggest using an air fryer-safe basket and trivet to shorten the distance between the heating element and your food, as well as improving airflow.</li> <li>• Do not overflow the basket with wings to allow for proper air circulation inside the container.</li> </ul>
Steak	<ul style="list-style-type: none"> <li>• Start the lid on the Steak preset and let it preheat for 4 minutes. Then, place your steak in the container and cook each side for 6 minutes or so.</li> <li>• Time can vary depending on the thickness of the steak and your preference.</li> <li>• To improve searing, use a container with a smaller cavity so the heating element is as close as possible to the steak (e.g. a 10-inch pan).</li> </ul>
Reheat	<ul style="list-style-type: none"> <li>• Place food inside the container, select the Reheat preset, and start your Air Fryer Lid. After 5 minutes, remove the air fryer lid and enjoy your meal.</li> </ul>

The following table provides recommended settings for different foods.

	Time	Temperature
Grilled fish	12 min	380 °F
Frozen French Fries	20-25 min	450 °F
Chicken Wings	20-25 min	450 °F
Vegetables	8 min	430 °F
Asparagus	7 min	450 °F
Frozen Onion Rings	10 min	380 °F

**Note:** Keep in mind that these settings are suggestions. For best results, it is recommended to use an air fryer-safe accessory, such as a trivet or a basket, when cooking in a pressure cooker.

**Tips:**

- For foods that tend to stick at the bottom of the container, consider adding some cooking oil spray in the pressure cooker/container prior to adding your ingredients.
- We advise against cooking very fatty foods such as sausages in shallow containers. If you wish to cook fatty foods, we recommend using a deeper cooking container.
- Add some oil to freshly cut potatoes to achieve a crispier result. Air fry your ingredients for a few minutes and then add the oil.
- For better results, it is recommended to shake/flip your food once or twice during the cooking process to ensure that it is evenly cooked.

## CLEANING AND MAINTENANCE

---

1. After use, make sure the power is off and disconnect the plug from the socket. Wait until the Air Fryer Lid has completely cooled down before cleaning.
2. Gently wipe down the Air Fryer Lid with a soft wet cloth. Use soapy water or a safe detergent if needed. Never immerse the Air Fryer Lid, especially the main heating element, in water or any other liquids, as this may cause a short circuit or electric shock.
3. **The Air Fryer Lid is not dishwasher safe!**
4. Refrain from using abrasive detergents or a scouring pad. Dry thoroughly.
5. Before storing the appliance, make sure it is clean and dry. Place it in a dry and ventilated area that does not directly receive sunlight. Always store in a cool, dry place.

**DO NOT IMMERSE THE AIR FRYER LID IN WATER OR ANY OTHER LIQUID!**

# TROUBLESHOOTING

<b>Problem</b>	<b>Possible cause</b>	<b>Solution</b>
The Air Fryer Lid does not work.	The appliance is not plugged in.	Put the plug in a wall socket.
	You have not set the timer.	Adjust the setting to the required preparation time to switch on the appliance.
	The lid's handle is not properly locked.	Push the lid's handle back in position properly.
My food is undercooked	There is too much food in the container.	Put smaller batches of ingredients in the container/pot. Smaller batches are fried more evenly.
	The set temperature is too low.	Adjust the setting to the required temperature setting (see section 'Settings').
	The cooking time is too short.	Adjust the setting to the required preparation time (see section 'Settings').
Fried snacks are not crispy.	The snacks you are cooking are meant to be prepared in a traditional deep fryer.	Cook snacks that are meant to be prepared in the oven. Lightly brush some oil onto food for crispier results.
White smoke comes out of the appliance.	You are preparing greasy ingredients.	When you fry greasy ingredients, a large amount of oil can leak into the chosen container. The oil produces white smoke, and the container may heat up more than usual. This does not affect the appliance or the end result.
	The pan still contains grease residue from previous use.	White smoke is caused by grease heating up in the container; make sure you clean the container thoroughly after each use.
Fresh fries are fried unevenly.	You did not use the right type of potato.	Use fresh potatoes and make sure they stay firm during frying.
	You did not rinse the potato sticks properly before you fried them.	Rinse the potato sticks thoroughly to remove starch from the outside of the sticks.
Fresh fries are not crispy when done cooking.	The crispiness of the fries depends on the amount of oil and water in the fries.	Make sure you dry the potato sticks properly before you add the oil.
		Cut the potatoes into thinner sticks for a crispier result.
		Add slightly more oil for a crispier result.

# RECIPES

---

## **Salmon**

- 4 Salmon fillets
- Cooking spray
- Salt
- Black pepper

Rinse and clean fillets. Coat each fillet evenly with cooking spray. Season with salt and black pepper. Coat the inside of the pressure cooker with cooking spray. Place salmon inside the pressure cooker and set the Air Fryer Lid on top. Set to 380°F for 12 minutes. For evenly cooked sides, flip the salmon fillet at 6 minutes and continue to cook for the remainder of the 6 minutes left.

## **BBQ Chicken Wings**

- Chicken wings
- Salt
- Pepper
- Cooking spray
- Barbecue sauce

Pat chicken wings dry and season with salt. Coat pressure cooker with cooking spray. Place chicken wings inside pressure cooker an even layer and not placed on top of one another. Set the Air Fryer Lid on top and cook at 450°F for 10 minutes. Once done, flip wings carefully and cook for another 10 minutes. After wings have fully cooked, toss in your preferred mix of barbeque sauce.

## **Roasted Broccoli, Cauliflower and Carrots Vegetable Mix**

- 2 Cups broccoli
- 2 Cups cauliflower
- 3 Carrots, peeled
- Salt
- Black pepper
- 1 Tablespoon olive oil

Wash vegetables and cut into small pieces. Add vegetables to pressure cooker. Add salt, black pepper, and olive oil.

Place the Air Fryer Lid on top and cook at 430° for 8 minutes. It is recommended to flip or toss the vegetables at 4 minutes for evenly cooked results.

### **Coconut Shrimp**

- ½ Cup all-purpose flour
- 2 Large eggs
- 2/3 Cup sweetened coconut flakes
- 1/3 Cup panko breadcrumbs
- 1 Pound shrimp
- Cooking spray

Set up three shallow dishes: one dish containing flour, another dish with 2 eggs beaten, and a third dish with the sweetened coconut flakes and panko breadcrumbs mixed together. Working one shrimp at a time, dip shrimp in flour to coat. Then dip shrimp in the beaten egg, shaking off any excess. Place shrimp in the third mixed bowl of coconut flakes and panko mix and press to coat well. Coat the pressure cooker with cooking spray and place the ready shrimp in the pressure cooker in an even layer with no overlap. Now coat the shrimp with cooking spray and place the Air Fryer Lid on top. Cook at 400°F for 6 minutes, turning the shrimp at 3 minutes to guarantee evenly cooked sides.

### **Avocado Fries**

- 3 Avocados
- ¾ Cup all-purpose flour
- Salt
- ½ Teaspoon black pepper
- 1 Cup panko breadcrumbs
- 2 Large eggs
- 1 Tablespoon water
- Cooking spray

Cut avocados into wedges or slices. Then set up three shallow dishes. One dish will contain all-purpose flour with black pepper, the second dish will include the 2 large eggs beaten mixed with 1 tablespoon of water, and the third bowl will have the panko breadcrumbs and a pinch of salt. Grab one avocado wedge at a time and place in the all-purpose flour bowl. Shake off any excess and dip the avocado wedge in the egg bowl.

Lastly, press the avocado wedge into the panko breadcrumbs making sure the entire wedge is covered. Spray the bottom of the pressure cooker with cooking spray and place each wedge inside. Spray wedges with cooking spray before you set the Air Fryer Lid on top. Cook on 400°F at 4 minutes. Once time is done, flip the wedges over and cook at 400°F for another 4 minutes.

### **Cake Mix**

- Cake batter (mixed and ready)
- Cake pan
- Cooking spray

Prepare your favorite cake mix or homemade cake batter. Spray your cake pan with cooking spray. You may also add shortening inside the pan and coat it with flour. We recommend using the cake pan accessory included with your pressure cooker. Transfer batter into the cake pan and place aluminum foil on top. This will help the top of the cake cook evenly and prevent the top from being overcooked.

Preheat the pressure cooker with the Air Fryer Lid at 350°F for 10 minutes. Once preheating is done, carefully place the cake pan inside the pressure cooker. Use extra caution as the Air Fryer Lid and the pressure cooker container are both very hot. Wear oven mitts when handling. After the cake pan is placed inside, carefully set the Air Fryer Lid back on top and bake at 370°F for 40 minutes.

### **Cheesecake**

- 2 8-ounce packages of cream cheese
- ½ Teaspoon vanilla extract
- ½ Cup granulated sugar
- 2 Large eggs
- 1 Cup graham cracker crumbs
- 2 Tablespoons unsalted butter, melted
- Cooking spray

Line the bottom of your cake pan with parchment paper.

For a perfect fit, outline the bottom of the pan against the parchment paper with a pencil and cut around it with scissors. Once the parchment paper is placed inside the pan, spray cooking oil on the top and sides of the pan. Mix graham cracker crumbs and melted butter in a bowl. Then place the mix inside the cake pan. Press the mix down into the pan. Take cake pan with graham cracker mix inside and place it in the pressure cooker. Place the Air Fryer Lid on top and cook at 350°F for 5 minutes. While the crust is being cooked, mix the ingredients for the cheesecake. Combine cream cheese with sugar until well blended. Add vanilla extract and mix to blend. Add one egg at a time, blending well after each addition. Once the batter looks smooth and consistent, place the mix into the cake pan on top of the graham cracker crust. Put the cake pan back into the pressure cooker, with the Air Fryer Lid on top, and cook at 310°F for 20 minutes. Once done, the cheesecake must set in the fridge for around 5 hours.

### ***Crispy Chicken Rolled Tacos***

- 1 Cup shredded ready-cooked chicken
- ½ Cup shredded cheddar cheese
- Salt
- Black pepper
- Corn tortillas

Season chicken with salt and black pepper. Spray 1 side of each tortilla with cooking spray. Place shredded chicken and cheese in the middle of the non-oiled side of the tortillas. Roll the tortilla and ingredients together. Use a toothpick to help hold the tortilla together. Spray the bottom of the pressure cooker with cooking spray. Now place each rolled taco inside the pressure cooker, making sure they are not touching. Place the Air Fryer Lid on the pressure cooker and cook at 370°F for 6 minutes, flipping the tacos at 3 minutes for evenly cooked sides. Cook until golden brown and crispy.

# WARRANTY

---

We suggest that you complete and return the enclosed Product Registration Card promptly to facilitate verification of the date of original purchase. However, return of the Product Registration Card is not a condition of these warranties. You can also fill out this warranty card online, at the following address: [www.KALORIK.com](http://www.KALORIK.com)

This KALORIK product is warranted in the U.S.A. and in Canada for 1 year from the date of purchase against defects in material and workmanship. This warranty is not transferable. Keep the original sales receipt. Proof of purchase is required to obtain warranty performance.

During this period, if the KALORIK product, upon inspection by KALORIK, is proven defective, it will be repaired or replaced, at Kalorik's option, without charge to the customer. If a replacement product is sent, it will carry the remaining warranty of the original product.

This warranty does not apply to any defect arising from a buyer's or user's misuse of the product, negligence, failure to follow KALORIK instructions noted in the user's manual, use on current or voltage other than that stamped on the product, wear and tear, alteration or repair not authorized by KALORIK, or use for commercial purposes. There is no warranty for glass parts, glass containers, filter basket, blades and agitators. There is also no warranty for parts lost by the user.

ANY WARRANTY OF MERCHANTABILITY OR FITNESS WITH RESPECT TO THIS PRODUCT IS ALSO LIMITED TO THE ONE YEAR LIMITED WARRANTY PERIOD.

Some states do not allow limitation on how long an implied warranty lasts or do not allow the exclusion of incidental or consequential damages, so the above limitations may not apply to you. This warranty gives you specific legal rights, and you may also have other rights which vary from state to state.

If the appliance should become defective within the warranty period and more than 30 days after date of purchase, do not return the appliance to the store: often, our Customer Service Representatives can help solve the problem without having the product serviced. If servicing is needed, a Representative can confirm whether the product is under warranty and direct you to the nearest service location.

If this is the case, send the product via your pre-paid postage back to Kalorik, along **with proof of purchase** and a **return authorization number** indicated on the outer package, given by our Customer Service Representatives. Send to the authorized KALORIK Service Center (please visit our website at [www.KALORIK.com](http://www.KALORIK.com) or call our Customer Service Department for the address of our authorized KALORIK Service Center).

When sending the product, please include a letter explaining the nature of the claimed defect.

If you have additional questions, please call our Customer Service Department (please see below for complete contact information), Monday through Thursday from 9:00am - 5:00pm (EST) and Friday from 9:00am - 4:00pm (EST). Please note hours are subject to change.

If you would like to write, please send your letter to:

**KALORIK Customer Service Department**

Team International Group of America Inc.  
16175 NW 49th Avenue  
Miami Gardens, FL 33014 USA

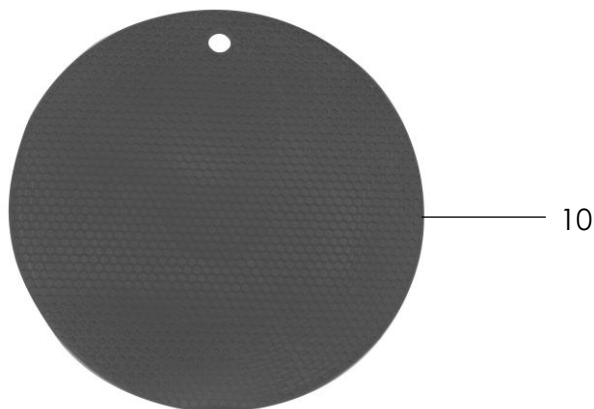
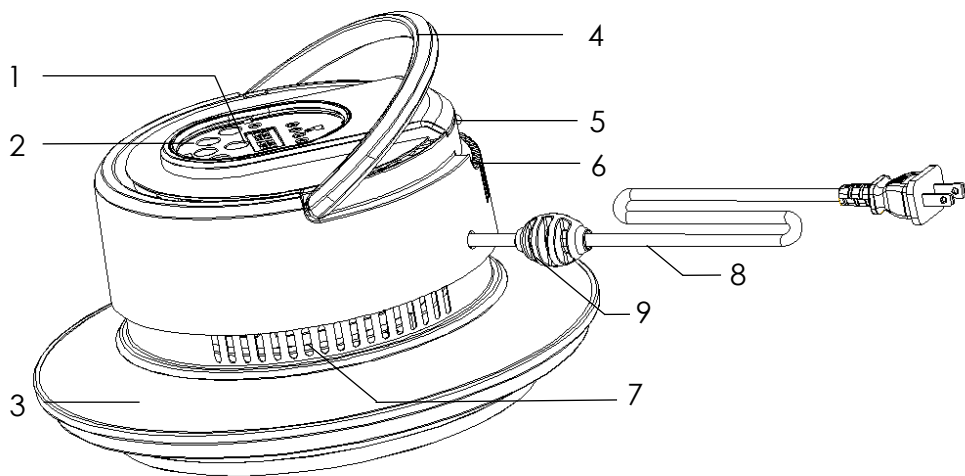
Or call:

Toll Free: +1 888-521-TEAM / +1 888-KALORIK

**Only letters can be accepted at this address above. Shipments and packages that do not have a return authorization number will be refused.**

# DESCRIPCIÓN DE LAS PARTES

---



# DESCRIPCIÓN DE LAS PARTES

---

1. Pantalla LED
2. Panel de control
3. Tapa de vidrio
4. Manija
5. Interruptor de seguridad
6. Entrada de aire
7. Salida de aire
8. Cable de alimentación
9. Bola protectora de silicona
10. Estera de silicona

## ESPECIFICACIONES TÉCNICAS

<b>Modelo</b>	<b>Voltaje</b>	<b>Potencia</b>
FT 46587 BK	120V, 60Hz	1400 W

# MEDIDAS IMPORTANTES DE PRECAUCIÓN

---

**Al utilizar aparatos eléctricos se deben tener siempre en cuenta las siguientes medidas básicas de precaución:**

## **¡LEER LAS INSTRUCCIONES ANTES DE USAR!**

1. Verifique que el voltaje de su hogar corresponda al que está indicado en el aparato.
2. No toque las superficies calientes. Utilice asas o perillas.
3. Para protegerse de choques eléctricos, incendio o lesiones personales, no sumerja el cable, los enchufes, o el aparato, dentro del agua ni cualquier otro líquido.
4. El motor principal contiene componentes electrónicos y un sistema de calefacción. No sumerja el aparato en agua ni lave el motor principal debajo del grifo.
5. Siempre preste atención al aparato cuando el mismo sea utilizado por niño o cerca de ellos. Como norma, este aparato no ha sido fabricado para que ser utilizado por niños.
6. No bloquee ni cubra la entrada de aire y la salida de aire cuando la máquina esté funcionando. Esto puede causar una cocción desigual o daños en el aparato.
7. No utilice el aparato con un cable o enchufe dañados. No funcione después de que el aparato no funcione correctamente o haya sufrido daños de alguna manera.
8. No enchufe, desenchufe ni opere la fuente de alimentación o la máquina con las manos mojadas.
9. No conecte este aparato con un interruptor de sincronización externo o un dispositivo, ya que puede ser peligroso.
10. El uso de accesorios no recomendados por el fabricante del aparato puede causar lesiones.
11. No usar al aire libre.
12. No deje que el cable cuelgue sobre el borde de una mesa o mostrador. No deje que entre en contacto con superficies calientes.
13. No coloque en o cerca de un gas caliente, quemador eléctrico, horno o microondas.
14. No utilice el aparato para otra cosa que no sea el uso previsto.
- 15. Asegúrese siempre de que la olla a presión eléctrica que se utiliza durante el proceso de cocción esté apagada y desenchufada cuando se utilice con la tapa de la freidora de aire.**

16. Desenchufe la toma de corriente cuando no esté en uso y antes de limpiarla. Espere 30 minutos hasta que la tapa de la freidora de aire se enfríe antes de limpiarla o guardarla después de su uso.
17. Si el cable de alimentación está dañado, debe ser reemplazado por el fabricante.
18. Puede producirse un incendio si el aparato está cubierto o toca material inflamable, incluidas cortinas, cortinas, paredes y similares, cuando está en funcionamiento. No almacene ningún artículo encima del aparato cuando esté en funcionamiento.
19. No limpie con esponjas de alambres. Las piezas pueden romper la almohadilla y tocar las piezas eléctricas, lo que implica un riesgo de descarga eléctrica.
20. No cubra ninguna pieza con papel de metal. Esto causa sobrecalentamiento.
21. Nunca use la tapa freidora de aire para freír alimentos. Si lo hace, puede causar un incendio, daños a la unidad y lesiones.
22. No deje la unidad desatendida cuando esté en uso.
23. Durante el uso del aparato, se libera vapor caliente a través de las aberturas de salida de aire. Mantenga las manos y la cara a una distancia segura de las aberturas de salida de vapor y aire. Además, tenga cuidado con el vapor caliente y el aire cuando retire el aparato.
24. No coloque el aparato contra una pared u otros dispositivos. Asegúrese de que el aparato esté colocado en un área abierta.
25. **Deje al menos 6 pulgadas (15 cm) de espacio libre en la parte posterior, los lados y por encima del aparato, no coloque nada encima del dispositivo.**

## **¡¡Cuidado!!**

- **SIEMPRE coloque** el aparato en una superficie horizontal, resistente al calor y estable.
- Este aparato es para uso hogareño exclusivamente.
- Desconecte el aparato siempre después de usarlo.
- Deje que el aparato se enfríe durante al menos 30 minutos antes de manipularlo o limpiarlo.
- El aparato está equipado con un micro-interruptor interno que apagará la freidora automáticamente si la manija está levantada durante la cocción.

- Asegúrese de que la tapa freidora de aire esté colocada correctamente y asegurada al recipiente de cocción antes de usarla. Si no se asegura una conexión adecuada, se pueden producir daños en el recipiente de cocción.
- **NO** permita que el cable toque o caiga sobre la tapa. **NO** use tomas de corriente ubicadas debajo de la encimera. Si no lo hace, podría derretirse o dañar el cable.

# GUARDE BIEN ESTAS INSTRUCCIONES PARA USO DOMÉSTICO SOLAMENTE

## INSTRUCCIONES PARA ENCHUFE POLARIZADO

---

Este aparato está equipado con un enchufe polarizado (una clavija es más ancha que la otra). Para reducir el riesgo de descarga eléctrica, este enchufe entra en el tomacorriente polarizado en un solo sentido. Si el enchufe no entra de inicio completamente en el tomacorriente, gire el enchufe. Si aun así no encaja, contacte a un técnico electricista calificado. **No intente modificar el enchufe de ninguna manera.**

## INSTRUCCIONES PARA CABLE CORTO

---

Se proporciona un cable de alimentación corto para reducir los peligros resultantes de enredarse o tropezar con un cable más largo. No se recomienda utilizar un cable de extensión.

## CONOZCA SU TAPA FREIDORA DE AIRE

---

¡Transforma tus utensilios de cocina ordinarios en una freidora de aire con la tapa freidora de aire de Kalorik! Esta innovadora tapa convierte instantáneamente cualquier olla a presión de 6, 7 o 8 cuartos en una freidora de aire. Su diseño universal también se adapta a ollas y sartenes de 8" y 10", ofreciendo aún más versatilidad.

Con un sistema de flujo de aire caliente, la tapa freidora de aire de Kalorik hace circular aire súper caliente alrededor de su comida para lograr el mismo sabor rico y resultados crujientes de una freidora de aire, sin necesidad de un aparato separado. Dado que la fritura de aire requiere poco o ningún aceite, la tapa Kalorik freidora de aire reduce la grasa y las calorías para una cocción más saludable. ¡Eso significa que puedes disfrutar de tus comidas fritas decadentes favoritas, sin la culpa!

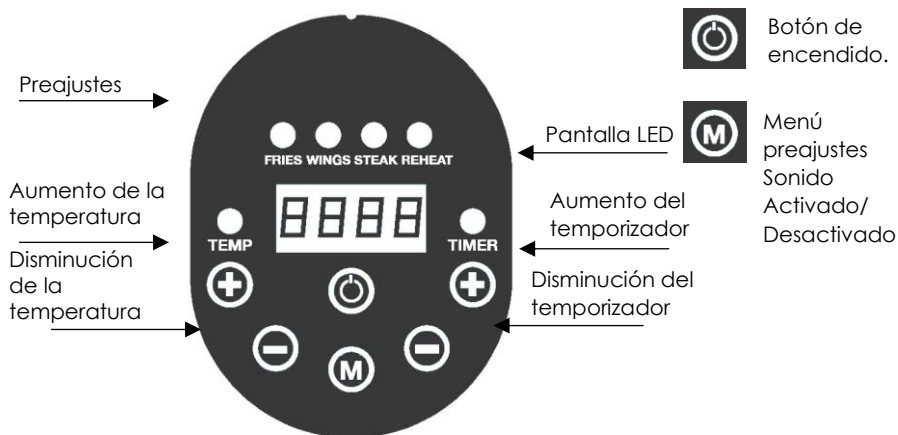
La tapa Kalorik freidora de aire cuenta con vidrio templado de primera calidad que te permite controlar tus alimentos mientras cocinas, sin necesidad de levantar la tapa. Ajuste el tiempo y la temperatura con su panel de control digital fácil de usar o elija entre cuatro preajustes de cocción inteligentes para obtener resultados infalibles. Un interruptor de seguridad incorporado le da tranquilidad, mientras que la estera de silicona resistente al calor proporciona una superficie para descansar la tapa sin quemar la encimera.

## ANTES DE USAR POR PRIMERA VEZ

---

- Retire todos los materiales de embalaje del interior y exterior de la Tapa Freidora de Aire.
- Limpie suavemente el exterior con un paño húmedo o una toalla de papel. Secar bien. No sumerja la tapa de la freidora de aire ni el enchufe en agua ni en ningún otro líquido.
- Encuentre una olla a presión, una olla regular, o un sartén que se ajuste correctamente a la tapa de la freidora de aire y sea resistente al calor. La tapa puede caber en una olla a presión de 6 cuartos, 7 cuartos o 8 cuartos. También es adecuado para cacerolas y sartenes con un diámetro de 8 pulgadas a 10 pulgadas. Asegúrese de que la tapa freidora de aire esté bien posicionada para que no se pueda escapar el flujo de aire.
- Coloque la olla a presión o cacerola que se utilizará sobre una superficie plana fría y resistente al calor, asegurándose de que la superficie esté nivelada, limpia y seca. Si utiliza una olla a presión, asegúrese siempre de que la olla a presión esté apagada y desenchufada.
- Antes de preparar los ingredientes, ajuste la tapa en la estera de silicona negra. Coloque siempre la tapa freidora de aire en la estera de silicona cuando la unidad no esté en uso.
- **Asegúrese de colocar al menos 6 pulgadas (15 cm) de distancia de cualquier objeto circundante.**

# PANEL DE CONTROL



- **Control de temperatura:** Use estos botones para aumentar o disminuir la temperatura de cocción. Puede ajustar las temperaturas predeterminadas para cada función antes de presionar el botón de poder y comenzar el proceso de cocción. Presione + para aumentar y - para disminuir.
- **Menú preajustes:** Presione para alternar entre las diferentes funciones de cocción – Fries (papas fritas), Wings (alitas de pollo), Steak (bistec), y Reheat (recalentar).
- **Comenzar:** Presione el botón de encendido para iniciar su proceso de cocción una vez que haya seleccionado su tiempo y temperatura deseados. También presione el botón de encendido para pausar la cocción en cualquier punto del proceso.
- **Control del tiempo:** Use estos botones para aumentar y disminuir su tiempo de cocción. Puede ajustar los tiempos predeterminados para cada función antes de presionar PODER y comenzar el proceso de cocción. Presione + para aumentar y - para disminuir.
- **Pantalla LED:** Muestra el tiempo, la temperatura, y las cuatro diferentes funciones.

# INSTRUCCIONES OPERATIVAS

---

1. Encuentre una olla o sartén que se ajuste correctamente a la tapa freidora de aire. Asegúrese de que esté bien asegurado para que no pueda escapar el flujo de aire.

## Nota:

- La Tapa Freidora de Aire se adapta a los tamaños estándar de ollas y sartenes de 8" y 10", y es compatible con cualquier olla a presión de 6 o 8 cuartos.
- El recipiente utilizado para cocinar con la tapa de la freidora de aire debe tener más de 4 pulgadas de profundidad.
- Las temperaturas aumentan mucho más rápido cuando se cocina con una olla o sartén. Tenga cuidado para evitar que los alimentos se cocinen demasiado o se quemen. No toque las superficies para evitar el riesgo de quemaduras.
- Lo mejor es dejar 2 pulgadas de distancia entre la tapa de la freidora de aire y su comida. No deje que los alimentos toquen el elemento calefactor eléctrico para evitar el riesgo de incendio.

## PRECAUCIÓN

- Asegúrese de que la tapa freidora de aire esté colocada correctamente y asegurada al recipiente de cocción antes de usarla. Si no se asegura una conexión adecuada, se pueden producir daños en el recipiente de cocción.
- Cuando cocine con una olla a presión, asegúrese de que la olla y la base estén bien aseguradas para evitar accidentes como quemaduras o daños en la unidad. También es importante asegurarse de que la olla a presión no esté conectada a una toma de corriente.
- Tenga mucho cuidado cuando use la tapa con una olla o sartén. Estos recipientes pueden calentarse mucho. No toque las superficies para evitar el riesgo de quemaduras.
- Coloque siempre el recipiente de cocción sobre una superficie resistente al calor.
- Solo coloque la tapa sobre la estera de silicona cuando no esté en uso.

2. Coloque sobre una superficie plana, fría y resistente al calor.

3. Coloque su comida en el recipiente. Si desea utilizar un accesorio seguro para freidoras de aire (trébedes, cesto, etc.), colóquelo en el recipiente antes. Cuando utilice un accesorio, asegúrese de que cabe suficientemente y permita que la tapa se asegure correctamente.
4. Agarra la tapa por la manija y asegúrala al recipiente con la comida adentro.
5. Presione el interruptor de seguridad y coloque simultáneamente la manija en una posición horizontal hasta que escuche un clic. Esto asegurará el mango de la tapa en su lugar y activará el interruptor de seguridad. Activar este interruptor permite que la tapa de la freidora de aire se encienda y funcione. Nota: Si la manija de la tapa no está correctamente colocada, la tapa de la freidora de aire no funcionará.
6. Conecte la Tapa Freidora de Aire a una toma de corriente.

## PRECAUCIÓN

- **NO** permita que el cable toque o caiga sobre la tapa. **NO** use tomas de corriente ubicadas debajo de la encimera. Si no lo hace, podría derretirse o dañar el cable.
7. Presione el botón Menú para seleccionar entre las diferentes funciones. Las funciones son Fries (papas fritas), Wings (alitas de pollo), Steak (bistec), y Reheat (recalentar).
  8. Si desea utilizar un tiempo y una temperatura personalizados, simplemente presione el botón de menú y luego los botones de control de tiempo y temperatura para seleccionar los ajustes deseados.
  9. Presione el botón de encendido para iniciar el proceso de cocción.  
**Nota: Si se levanta la manija durante el proceso de cocción, la cocción se pausará inmediatamente. Para reanudar, presione el interruptor de seguridad para empujar la manija hacia abajo completamente y presione nuevamente el botón de encendido. La unidad tiene una función de memoria de 2 minutos que permite a los usuarios pausar el proceso de cocción y reanudar con el ajuste en el que estaba funcionando. Si transcurren más de 2 minutos después de que se detenga la cocción, los ajustes preestablecidos deberán reajustarse al tiempo y la temperatura deseados.**
  10. Durante el proceso de cocción, se recomienda comprobar los alimentos que se cocinan a través de la cubierta de vidrio transparente en la tapa de la freidora de aire. Ajuste el tiempo y la temperatura si es necesario.
  11. Voltrear los alimentos regularmente durante la cocción.

12. Una vez completado el proceso de cocción, escuchará 6 pitidos de la unidad. La pantalla de LED se mostrará como OFF y la unidad tardará 2 minutos adicionales en enfriarse.
13. Cuando termine de cocinar, retire la tapa freidora de aire y colóquela sobre la estera de silicona. Siempre coloque la tapa sobre la estera de silicona cuando no esté en uso y aún esté caliente.
14. Deje que la tapa de la freidora de aire se enfríe durante unos 30 minutos antes de limpiar o guardar el aparato. La temperatura de la superficie y la parte superior de la tapa de la freidora de aire permanecerá caliente durante un par de minutos después de que se complete la operación. Trate de evitar mover o tocar la unidad.

### **Consejos:**

- No utilice recipientes que no sean resistentes al calor, como plástico, vidrio, placas de cerámica o papel para cocinar alimentos con la tapa.
- Para obtener mejores resultados, precaliente el recipiente de cocción con la tapa de la freidora de aire durante unos 3 a 5 minutos.
- Para obtener resultados más uniformes, agite o voltee los ingredientes 2-3 veces durante el proceso de cocción.
- Cuando la tapa está funcionando, la pantalla LED alternará entre mostrar la temperatura establecida y el tiempo restante.
- Pulse el botón de encendido o levante el mango de la tapa de la freidora para pausar el proceso de cocción en cualquier momento.
- Use guantes para horno para extraer alimentos calientes del recipiente.
- Todos los alimentos que se pueden cocinar en un horno convencional se pueden cocinar con la tapa.
- Para obtener resultados mejores y más uniformes, se recomienda utilizar alimentos de tamaño y grosor similares.
- Las cantidades más pequeñas de alimentos requieren menos tiempo de cocción que las cantidades más grandes.
- Para obtener los mejores resultados en el menor tiempo posible, fríe los alimentos en una sola capa.
- Cuando prepare papas fritas con papas recién cortadas, asegúrese de secarlas bien antes de cocinarlas

# CONFIGURACIÓN

Hay 4 programas preestablecidos incluidos en la tapa, descrito en la tabla a continuación. Tenga en cuenta que el uso de los botones de control de tiempo y temperatura le permitirá ajustar cada configuración si lo desea.

Ajuste	Tiempo predeterminado (HH:MM)	Temperatura predeterminada (°F)
Fries (Papas fritas)	0:20	450
Wings (Alitas de pollo)	0:20	450
Steak (Bistec)	0:16	450
Reheat (Recalentar)	0:05	350

A continuación, se presentan sugerencias de cocina para cada ajuste.

Ajuste	Sugerencias de Cocina
Fries (Papas fritas)	<ul style="list-style-type: none"> <li>• Voltee o gire 2-3 veces durante el proceso de cocción para una cocción más pareja.</li> <li>• Esta función no requiere aceite, pero se puede agregar una pequeña porción para mejorar el sabor.</li> <li>• Sugerimos utilizar una cesta segura para freidoras de aire para acortar la distancia entre el elemento calefactor y sus alimentos así como mejorar el flujo de aire.</li> <li>• No llene en exceso para permitir la circulación de aire adecuada dentro del contenedor.</li> </ul>
Wings (Alitas de pollo)	<ul style="list-style-type: none"> <li>• Voltee o gire 2-3 veces durante el proceso de cocción para una cocción más pareja.</li> <li>• Sugerimos utilizar una cesta segura para freidoras de aire para acortar la distancia entre el elemento calefactor y sus alimentos, así como mejorar el flujo de aire.</li> <li>• No llene en exceso para permitir la circulación de aire adecuada dentro del contenedor.</li> </ul>
Steak (Bistec)	<ul style="list-style-type: none"> <li>• Inicie la tapa en el preestablecido de carne y déjelo precalentar durante 4 minutos. Luego, coloque el bistec en el recipiente y cocine a cada lado durante aproximadamente 6 minutos.</li> <li>• El tiempo puede variar dependiendo del grosor del filete o de qué tan bien lo desees.</li> <li>• Para mejorar la abrasión, use un recipiente con una cavidad más pequeña para que el elemento calefactor esté lo más cerca posible del filete (por ejemplo, una sartén de 10 pulgadas).</li> </ul>

Reheat (Recalentar)	<ul style="list-style-type: none"> <li>Coloque los alimentos dentro del recipiente, seleccione el preajuste de recalentamiento y encienda la tapa. Después de 5 minutos, sáquelo y disfrute de su comida.</li> </ul>
------------------------	--

La siguiente tabla proporciona configuraciones recomendadas para diferentes alimentos.

	Time	Temperature
Pescado	12 min	380 °F
Papas fritas congeladas	20-25 min	450 °F
Alitas de pollo	20-25 min	450 °F
Verduras	8 min	430 °F
Espárragos	7 min	450 °F
Anillos de cebolla congelados	10 min	380 °F

**Nota:** Tenga en cuenta que estas configuraciones son sugerencias. Para obtener mejores resultados, se sugiere utilizar un accesorio seguro para freidoras de aire, como una cesta o trébedes, especialmente cuando se cocina en una olla a presión.

### Consejos:

- Para los alimentos que tienden a pegarse en el fondo de la olla / el recipiente, considere agregar un poco de aceite para cocinar en la canasta antes de agregar sus ingredientes.
- Aconsejamos no cocinar alimentos muy grasos, como salchichas, en recipientes poco profundos. Si desea cocinar alimentos grasos, le recomendamos usar un recipiente de cocina más profundo.
- Agregue un poco de aceite a las papas recién cortadas para lograr un resultado más crujiente. Fríe tus ingredientes por unos minutos y luego agrega el aceite.
- Para obtener mejores resultados, se recomienda agitar / voltear sus alimentos al menos dos veces durante el proceso de cocción para asegurarse de que se cocinen de manera uniforme.

## LIMPIEZA Y MANTENIMIENTO

1. Después de usar, desconecte el enchufe de alimentación y deje que se enfríe.
2. Limpie suavemente la tapa con un paño suave y húmedo. Use agua jabonosa o un detergente seguro si es necesario.

Nunca sumerja la tapa de la freidora de aire, especialmente el elemento calefactor principal, en agua o en cualquier otro líquido, ya que esto puede causar un cortocircuito o una descarga eléctrica.

3. **¡La tapa no es apta para lavavajillas!**
4. Abstenerse de usar detergentes abrasivos o estropajos. Secar bien.
5. Limpie todos los accesorios extraíbles con una esponja y agua jabonosa tibia. Abstenerse de usar detergentes abrasivos o una almohadilla de abastecimiento. No utilice bolas de alambre, detergentes abrasivos o líquidos corrosivos como gasolina o acetona para limpiar el aparato. Seque bien.
6. Antes de guardar el aparato, asegúrese de que esté limpio y seco. Colóquelo en un área seca y ventilada que no reciba directamente la luz solar. Guardar en un lugar fresco y seco.

**¡NO SUMERJA LA TAPA EN AGUA NI NINGÚN OTRO LÍQUIDO!**

## SOLUCIÓN DE PROBLEMAS

Problema	Causa posible	Solución
La tapa no funciona.	El aparato no está enchufado.	Conecte el enchufe a una toma de corriente con toma.
	No ha configurado el temporizador.	Ajuste la configuración al tiempo de preparación requerido para encender el aparato.
	La manija de la tapa no está hacia abajo correctamente.	Empuje la manija de la tapa nuevamente a su posición correcta.
Los ingredientes fritos con la tapa no están listos.	Hay demasiada comida en el contenedor.	Ponga lotes más pequeños de ingredientes en el recipiente / olla. Los lotes más pequeños se fríen de manera más uniforme.
	La temperatura establecida es demasiado baja.	Ajuste la configuración a la temperatura requerida (consulte la sección "Configuración")
	El tiempo de cocción es muy corto.	Ajuste la configuración al tiempo de preparación requerido (consulte la sección "Configuración")
Los bocadillos fritos no son crujientes.	Usaste un tipo de comida para preparar en una freidora tradicional.	Use alimentos preparados para prepararlos en el horno, o aplique un poco de aceite sobre los alimentos para obtener un resultado más crujiente.

Sale humo blanco del aparato.	Estás usando ingredientes grasientos.	Cuando fríe ingredientes grasientos con la tapa, una gran cantidad de aceite se filtrará en el recipiente elegido. El aceite produce humo blanco y el recipiente puede calentarse más de lo normal. Esto no afecta el aparato o el resultado final.
	La sartén todavía contiene residuos de grasa del uso anterior.	El humo blanco es causado por el calentamiento de la grasa en el contenedor; asegúrese de limpiar el recipiente a fondo después de cada uso.
Las papas fritas frescas se fríen de manera desigual.	No usaste el tipo correcto de papa.	Use papas frescas y asegúrese de que se mantengan firmes durante la fritura.
	No enjuagaste los palitos de papa correctamente antes de freírlos.	Enjuague los palitos de papa a fondo para eliminar el almidón del exterior de los palitos.
Las papas fritas frescas no están crujientes cuando terminan de cocinar.	El crujiente de las papas fritas depende de la cantidad de aceite y agua en las papas fritas.	Asegúrese de secar los palitos de papa correctamente antes de agregar el aceite.
		Corta las papas en palitos más delgados para obtener un resultado más crujiente.
		Agregue ligeramente más aceite para obtener un resultado más crujiente.

## RECETAS

### Salmón

- 4 filetes de salmón
- Spray de aceite
- Sal
- Pimienta negra

Enjuague y limpie los filetes. Recubrir cada filete uniformemente con spray de aceite. Sazónalos con sal y pimienta negra. Recubrir el interior de la olla a presión con spray de aceite también. Coloque el salmón dentro de la olla a presión y coloque la tapa freidora de aire en la parte superior. Ajusta a 380°F durante 12 minutos. Para los lados bien cocidos, volteo el filete de salmón a los 6 minutos y continúe cocinando durante el resto de los 6 minutos restantes.

## Alitas de Pollo BBQ

- Alitas de pollo
- Sal
- Pimienta
- Spray de aceite
- Salsa de barbacoa

Secar las alitas de pollo y sazonarlas con sal. Recubrir la olla a presión con spray de aceite. Coloque las alitas de pollo dentro de la olla a presión una capa uniforme y no colocadas una encima de la otra. Ponga la tapa freidora de aire en la parte superior y cocine a 450°F durante 10 minutos. Una vez hecho esto, voltear las alas con cuidado y cocina durante otros 10 minutos. Después de que las alas se hayan cocinado completamente, mezcle su mezcla preferida de salsa de barbacoa.

## Mezcla de Verduras de Brócoli asado, Coliflor y Zanahorias

- 2 tazas de brócoli
- 2 tazas de coliflor
- 3 Zanahorias peladas
- Sal
- Pimienta negra
- 1 cucharada de aceite de oliva

Lave las verduras y córtelas en trozos pequeños. Agregue las verduras a la olla a presión. Agregue sal, pimienta negra y aceite de oliva. Coloque la tapa freidora de aire en la parte superior y cocine a 430°F durante 8 minutos. Se recomienda voltear o tirar las verduras a los 4 minutos para obtener resultados uniformemente cocidos.

## Camarones de Coco

- 1/2 taza de harina para todo uso
- 2 huevos grandes
- 2/3 taza de copos de coco endulzados
- 1/3 taza de migas de panko
- 1 libra de camarones
- Spray de aceite

Establecer tres platos poco profundos: un plato que contiene harina, otro plato con 2 huevos batidos, y un tercer plato con las hojuelas de coco endulzadas y panko mezclados. Trabajando un camarón a la vez, sumerja los camarones en harina para cubrir. Luego sumerja los camarones en el huevo batido, sacudiendo cualquier exceso.

Coloque los camarones en el tercer tazón mixto de copos de coco y mezcle la mezcla y presione para cubrir bien. Recubrir la olla a presión con spray de aceite y colocar los camarones listos en la olla a presión en una capa uniforme sin superposición. Ahora cubra los camarones con spray de aceite y coloque la tapa freidora en la parte superior. Cocine a 400°F durante 6 minutos, girando los camarones a los 3 minutos para garantizar los lados uniformemente cocidos.

### **Patatas Fritas de Aguacate**

- 3 Aguacates
- 3/4 taza de harina
- Sal
- 1/2 cucharadita de pimienta negra
- 1 taza de migas de panko
- 2 huevos grandes
- 1 cucharada de agua
- Spray de aceite

Cortar los aguacates en rodajas. Luego prepara tres platos poco profundos. Un plato contendrá harina para todo uso con pimienta negra, el segundo plato incluirá los 2 huevos grandes batidos mezclados con 1 cucharada de agua, y el tercer tazón tendrá las migas de panko y una pizca de sal. Coge una rodaja de aguacate a la vez y colócala en el tazón de harina. Agitar cualquier exceso y sumergir la rodaja de aguacate en el tazón de huevo. Por último, presione la rodaja de aguacate en las migas de panko asegurándose de que toda la rodaja de aguacate esté cubierta. Rocíe la parte inferior de la olla a presión con spray de aceite y coloque cada rodaja adentro. Rocíe las rodajas de aguacates con spray de cocción antes de poner la tapa freidora de aire en la parte superior. Cocine a 400°F a 4 minutos. Una vez hecho el tiempo, voltee las rodajas y cocine a 400°F durante otros 4 minutos.

### **Mezcla de Pastel**

- Masa de pastel (mezclada y lista)
- Molde/bandeja de pastel
- Spray de aceite

Prepara tu mezcla de pastel favorita. Rocíe su sartén con spray de aceite. También puede añadir acortamiento dentro del molde y cubrirlo con harina. Recomendamos usar el accesorio de bandeja para pasteles incluido con su olla a presión.

Transfiera la masa a la bandeja del pastel y coloque papel de aluminio en la parte superior. Esto ayudará a la parte superior del pastel a cocinar uniformemente y evitar que la parte superior se cocine en exceso. Precalentar la olla a presión con la tapa freidora de aire a 350°F durante 10 minutos. Una vez hecho el precalentamiento, coloque cuidadosamente la bandeja de pasteles dentro de la olla a presión. Tenga especial cuidado, ya que la tapa freidora de aire y el recipiente de la olla a presión están muy calientes. Use guantes de horno durante la manipulación. Después de colocar la bandeja del pastel en el interior, vuelva a colocar cuidadosamente la tapa freidora de aire en la parte superior y hornee a 370°F durante 40 minutos.

### **Tacos Crujientes de Pollo**

- 1 taza de pollo desmenuzado precocido
- 1/2 taza de queso cheddar rallado
- Sal
- Pimienta negra
- Tortillas de maíz

Sazone el pollo con sal y pimienta negra. Rocíe 1 lado de cada tortilla con spray de aceite. Coloque el pollo rallado y el queso en el medio del lado no engrasado de las tortillas. Enrolle la tortilla y los ingredientes juntos. Use un palillo de dientes para ayudar a mantener la tortilla unida. Rocíe la parte inferior de la olla a presión con spray de aceite. Ahora coloque cada taco enrollado dentro de la olla a presión, asegurándose de que no estén tocando. Coloque la tapa freidora de aire en la olla a presión y cocine a 370°F durante 6 minutos, volteando los tacos a los 3 minutos para los lados cocinados uniformemente. Cocine hasta que estén doradas y crujientes.

# GARANTÍA

---

Le sugerimos que complete y nos envíe la Tarjeta de Registro de Producto adjunta de inmediato para facilitar la verificación de la fecha de compra original. Sin embargo, la devolución de la Tarjeta de Registro del Producto no es una condición de estas garantías. También puede completar esta tarjeta de garantía en línea en la siguiente dirección: [www.KALORIK.com](http://www.KALORIK.com)

Este producto KALORIK está cubierto por esta garantía en los Estados Unidos y Canadá durante 1 año a partir de la fecha de compra contra los defectos materiales y de fabricación. Esta garantía no es transferible. Conserve la prueba de compra original. Se exige una prueba de compra para obtener la aplicación de la garantía.

Durante este período, si el producto KALORIK después de una inspección por parte de KALORIK, se manifiesta defectuoso, será reparado o reemplazado, según lo que decida KALORIK, sin gastos para el consumidor. Si se envía un producto de reemplazo, se aplicará la garantía que queda del producto original.

Esta garantía no se aplica a los defectos que surjan del mal uso del producto por parte del comprador o usuario, negligencia, o incumplimiento del manual de instrucciones KALORIK, uso con corriente o voltaje que no sea el estampado en el producto, desgaste, alteración o reparación no autorizada por Kalorik, o el uso del mismo con fines comerciales. No hay garantía para piezas de vidrio, recipientes de vidrio, canasta de filtro, cuchillas y agitadores. Tampoco hay garantía por las piezas perdidas por el usuario.

CUALQUIER GARANTÍA DE COMERCIABILIDAD O APTITUD CON RESPECTO A ESTE PRODUCTO TAMBIÉN ESTÁ LIMITADA A EL PERÍODO DE GARANTÍA LIMITADA DE UN AÑO.

Algunos estados no permiten limitar la duración de la garantía implícita o no permiten la exclusión de daños incidentales o consecuentes, por lo que es posible que las limitaciones anteriores no se apliquen a usted. Esta garantía otorga derechos legales específicos, y también puede tener otros derechos que pueden variar de un estado a otro.

Si el electrodoméstico tiene algún defecto dentro del período de garantía y más de 30 días después de la fecha de compra, no devuelva el electrodoméstico a la tienda donde le compró: a menudo, nuestro Servicio al Cliente puede confirmar si el producto está en garantía y lo dirigirá al centro de servicio más cercano.

Si fuera este el caso, traiga el producto (o envíelo, correctamente franqueado) con la **prueba de compra** donde se mencione **el número de autorización de devolución** indicado por nuestro Servicio al Cliente, al servicio post-venta KALORIK más cercano (Visite nuestra web [www.KALORIK.com](http://www.KALORIK.com) o llame al Servicio al Consumidor para obtener la dirección del Servicio post-venta KALORIK exclusivo más cercano).

Al enviar el producto, incluya una carta que explique el defecto reclamado.

Si tiene preguntas adicionales, por favor llame al Servicio al Cliente (véase abajo para los datos completos), de lunes a jueves, de las 9:00 a las 17:00 (EST), y el viernes de las 9:00 a las 16:00 (EST). Note que las horas pueden ser modificadas.

Si quiere escribirnos, puede hacerlo a la dirección siguiente:

### **KALORIK Servicio al Cliente**

Team International Group of America Inc.

16175 NW 49<sup>th</sup> Avenue

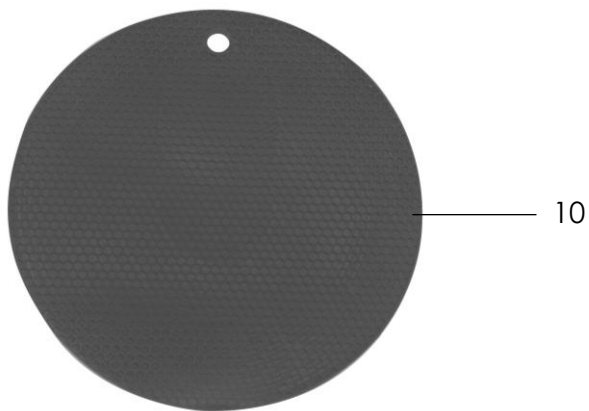
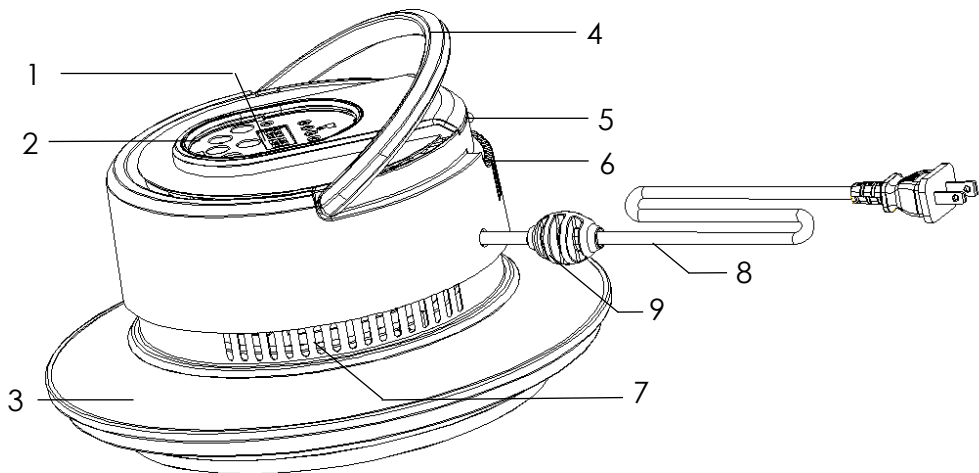
Miami Gardens, FL 33014 USA

O llame gratuitamente (U.S.A.) al +1 888-521-TEAM / +1 888-KALORIK

**Las cartas se aceptan solo en la dirección anteriormente mencionada. Los envíos y paquetes que no tengan número de autorización de devolución serán rechazados.**

# DESCRIPTION DES PIÈCES

---



# DESCRIPTION DES PIÈCES

---

1. Écran LED
2. Panneau de contrôle
3. Couvercle en verre
4. Poignée
5. Interrupteur de sécurité
6. Entrée d'air
7. Sortie d'air
8. Cordon d'alimentation
9. Balle de protection en silicone
10. Tapis en silicone

## SPÉCIFICATIONS TECHNIQUES

<b>Modèle</b>	<b>Tension</b>	<b>Puissance</b>
FT 46587 BK	120V, 60Hz	1400 W

# CONSIGNES DE SÉCURITÉ

---

Pour utiliser des appareils électriques, il est important de toujours suivre des précautions basiques de sécurité et des précautions d'usages, comme indiquées ci-après :

## **Lisez toutes les instructions avant utilisation.**

1. Vérifier que la tension chez vous correspond bien à celle indiquée sur votre appareil.
2. Ne pas toucher les surfaces chaudes. Utilisez toujours la poignée ou utilisez des maniques pour vous protéger.
3. Pour vous protéger contre les chocs électriques, les incendies ou les blessures, ne plongez pas le cordon, la fiche de courant ou l'appareil dans l'eau ou tout autre liquide, pour éviter le risque de court-circuit.
4. Le moteur principal contient des composants électroniques et un système de chauffage. Ne plongez pas l'appareil dans l'eau et ne lavez pas le moteur principal sous le robinet.
5. Il est nécessaire de faire très attention quand l'appareil est utilisé par des enfants ou près d'eux. En règle générale, cet appareil ne doit pas être utilisé par des enfants.
6. Ne bloquez pas et ne couvrez pas les événements d'arrivée d'air ou de sortie d'air lorsque la machine est en marche. Cela peut provoquer une cuisson inégale ou endommager l'appareil.
7. Ne pas faire fonctionner l'appareil quand le cordon ou la fiche de courant sont endommagés, ou dans le cas de mauvais fonctionnement, ou si l'appareil est endommagé de n'importe quelle manière.
8. Ne branchez pas, ne débranchez pas et n'utilisez pas le bloc d'alimentation ou la machine avec les mains mouillées.
9. Ne pas connecter cet appareil à un interrupteur de synchronisation externe car cela peut être dangereux.
10. L'usage d'accessoires qui ne sont pas recommandés par le fabricant peut causer des blessures personnelles.
11. Ne pas utiliser en extérieur.
12. Ne pas laisser câble pendre par-dessus le rebord d'une table ou d'un comptoir, ou le laisser toucher des surfaces chaudes.

13. Ne pas placer sur ou près d'une cuisine électrique ou à gaz, ni dans un four préchauffé ou d'un micro-ondes.
14. Ne pas utiliser l'appareil pour d'autres choses que l'utilisation prévue.
- 15. Assurez-vous toujours que l'autocuiseur électrique utilisé pendant le processus de cuisson est éteint et débranché lors de l'utilisation avec le Couvercle Friteuse à Air Chaud.**
16. Débranchez l'appareil de la prise quand il n'est pas en utilisation et avant de le nettoyer. Attendez 30 minutes que le Couvercle Friteuse à Air Chaud refroidisse avant de le nettoyer ou de le ranger après utilisation.
17. Si le cordon d'alimentation est endommagé, il doit être remplacé par le fabricant.
18. Un incendie pourrait survenir si l'appareil est couvert ou en contact avec du matériel inflammable, y compris des rideaux, des draperies, des murs, etc., quand l'appareil est en fonctionnement. Ne pas placer des objets sur l'appareil pendant le fonctionnement.
19. Ne pas nettoyer avec une brosse métallique : des parties métalliques pourraient se détacher de la brosse et entrer en contact avec des parties électriques et créer un risque de choc électrique.
20. Ne recouvrez aucune pièce avec des feuilles métalliques. Ça pourrait causer une surchauffe.
21. N'utilisez jamais le Couvercle Friteuse à Air Chaud pour frire des aliments baignant dans une grande quantité d'huile. Cela pourrait causer des incendies, ou des dommages à l'appareil et des blessures.
22. Ne laissez pas l'appareil sans surveillance lorsqu'on l'utilise.
23. Pendant l'utilisation de l'appareil, de la vapeur chaude est libérée par les ouvertures de sortie d'air. Gardez vos mains et votre visage à une distance sécuritaire des ouvertures de sortie de vapeur et d'air. Faites également attention à la vapeur et à l'air chaud lorsque vous retirez l'appareil.
24. Ne placez pas l'appareil contre un mur ou d'autres appareils. Assurez-vous que l'appareil est placé dans une zone ouverte.
- 25. Laissez au moins 6 pouces (15 cm) d'espace libre à l'arrière, sur les côtés et au-dessus de l'appareil. Ne placez rien sur l'appareil.**

## **Attention !!**

- *Placez toujours l'appareil sur une surface horizontale, plane, résistante à la chaleur et stable.*
- *Cet appareil a été fabriqué seulement pour l'usage domestique.*

- *Toujours débrancher après usage.*
- *Laissez l'appareil refroidir pendant au moins 30 minutes avant de le manipuler ou de le nettoyer.*
- *L'appareil est équipé d'un micro-interrupteur de sécurité, qui arrête l'appareil automatiquement si la poignée est soulevée pendant la cuisson.*
- *Assurez-vous que le Couvercle Friteuse à Air Chaud est correctement positionné et fixé au récipient de cuisson avant utilisation. Le non-respect de cette consigne peut entraîner des dommages au récipient de cuisson.*
- **NE PAS** laisser le cordon toucher ou tomber sur le couvercle. **NE PAS** utiliser de prises de courant sous les comptoirs. Le non-respect de cette consigne pourrait faire fondre ou endommager le cordon.

# **GARDEZ CES INSTRUCTIONS USAGE DOMESTIQUE UNIQUEMENT**

## **INSTRUCTIONS POUR UNE PRISE DE COURANT POLARISÉE**

---

Cet appareil est équipé avec une fiche polarisée (une lame et plus large que l'autre). À fin de réduire le danger de choc électrique, cette fiche s'adapte dans la prise de courant d'une seule manière. Si la fiche ne s'adapte pas correctement dans la prise de courant, renversez-la. S'il est toujours impossible de rentrer la fiche dans la prise de courant, contactez un électricien certifié. N'essayez d'aucune façon de modifier la fiche. Ne laissez pas les enfants manipuler ou mettre le cordon électrique dans leur bouche.

## INSTRUCTIONS POUR LE CÂBLE COURT

---

Un cordon d'alimentation court est inclus, pour diminuer les risques d'accidents résultants d'un cordon enchevêtré, ou de trébucher sur un cordon long. Il n'est pas recommandé d'utiliser un cordon d'extension.

## CONNAÎTRE VOTRE COUVERCLE FRITEUSE À AIR CHAUD

---

Transformez vos ustensiles de cuisine ordinaires en friteuse à air chaud avec le Couvercle Friteuse à Air Chaud Kalorik! Ce Couvercle Friteuse à Air Chaud innovant convertit instantanément n'importe quel autocuiseur de 6, 7 ou 8 pintes en friteuse à air chaud. Sa conception universelle convient également aux casseroles de 8 pouces et 10 pouces, offrant encore plus de polyvalence.

Doté d'un système de circulation d'air chaud, le Couvercle Friteuse à Air Chaud Kalorik fait circuler de l'air très chaud autour de vos aliments pour obtenir la même saveur riche et les mêmes résultats croustillants qu'une friteuse à air chaud—sans avoir besoin d'un appareil séparé. Étant donné que la friture à l'air chaud nécessite peu ou pas d'huile, le Couvercle Friteuse à Air Chaud Kalorik réduit les graisses et les calories pour une cuisson plus saine. Cela signifie que vous pouvez vous adonner à vos plats frits décadents préférés, sans culpabilité!

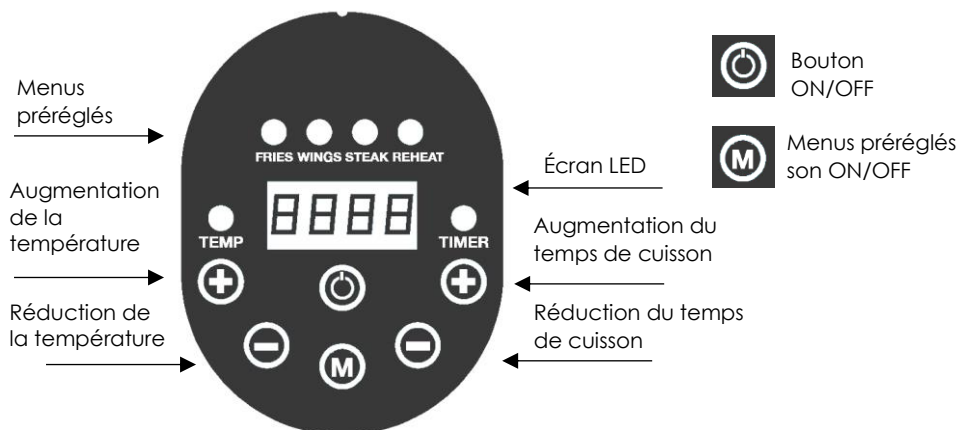
Le Couvercle Friteuse à Air Chaud Kalorik comprend un verre trempé de qualité supérieure qui vous permet de surveiller vos aliments pendant la cuisson—pas besoin même de soulever le couvercle. Ajustez l'heure et la température avec son panneau de commande numérique convivial ou choisissez parmi quatre pré-réglages de cuisson intelligents pour des résultats infaillibles. Un interrupteur de sécurité intégré vous donne la tranquillité d'esprit, tandis que le tapis en silicone résistant à la chaleur offre une surface pour reposer votre couvercle sans brûler votre comptoir.

# AVANT LA PREMIÈRE UTILISATION

---

- Retirez tous les matériaux d'emballage de l'intérieur et de l'extérieur du Couvercle Friteuse à Air Chaud.
- Essuyez doucement l'extérieur avec un chiffon humide ou une serviette en papier. Sécher soigneusement. Ne plongez pas le Couvercle Friteuse à Air Chaud ou sa fiche dans l'eau ou tout autre liquide.
- Trouvez un autocuiseur, un récipient, une casserole ou une poêle qui s'adapte correctement au Couvercle Friteuse à Air Chaud et résiste à la chaleur. Le Couvercle Friteuse à Air Chaud peut s'adapter à un autocuiseur de 6 pintes, 7 pintes ou 8 pintes. Il convient également aux casseroles d'un diamètre de 8 pouces à 10 pouces. Assurez-vous que le Couvercle Friteuse à Air Chaud est correctement placé afin qu'aucun flux d'air ne puisse s'échapper.
- Placez l'autocuiseur ou le récipient qui sera utilisé sur une surface plane et résistante à la chaleur, en vous assurant que la surface est plane, propre et sèche. Si vous utilisez un autocuiseur, assurez-vous toujours que l'autocuiseur est éteint et débranché.
- Avant de préparer vos ingrédients, placez le Couvercle Friteuse à Air Chaud sur le tapis en silicone noir. Placez toujours le Couvercle Friteuse à Air Chaud sur le tapis en silicone lorsque l'appareil n'est pas en utilisation.
- **Le Couvercle Friteuse à Air Chaud doit être positionné à au moins 15 cm (6 pouces) de tout objet ou mur environnant.**

# PANNEAU DE COMMANDE



1. **Contrôle de la température** : utilisez ces boutons pour augmenter ou diminuer votre température de cuisson. Vous pouvez régler les températures par défaut pour chaque fonction avant d'appuyer sur le bouton ON/OFF et de commencer le processus de cuisson. Appuyez sur + pour augmenter et - pour diminuer. La température augmente par incréments de 5 °F.
2. **Menus pré-réglés** : Appuyez pour parcourir les différentes fonctions de cuisson (frites, ailes, steak, réchauffer). Le bouton des menus pré-réglés active et désactive également le son de l'appareil. Appuyez simplement sur le bouton et maintenez-le enfoncé pendant 5 secondes maximum pour désactiver le son. Répétez la même action pour entendre à nouveau les bips lors de l'utilisation de l'appareil.
3. **ON/OFF** : ce bouton allume et éteint le Couvercle Friteuse à Air Chaud et est également utilisé pour démarrer et mettre en pause le processus de cuisson. Une fois que vous avez sélectionné le temps et la température souhaitées, appuyez sur le bouton ON/OFF pour lancer votre processus de cuisson. Vous pouvez également appuyer sur ON/OFF à tout moment pendant l'utilisation pour mettre en pause le processus de cuisson.
4. **Contrôle du temps** : Vous pouvez régler le temps par défaut pour chaque fonction avant d'appuyer sur le bouton ON/OFF pour

commencer le processus de cuisson. Appuyez sur + pour augmenter et - pour diminuer.

5. **Affichage LED** : Il affiche le temps et la température ainsi que les quatre fonctions différentes.

## INSTRUCTIONS DE FONCTIONNEMENT

---

1. Trouvez des ustensiles de cuisine qui correspondent bien à la taille du Couvercle Friteuse à Air Chaud. Assurez-vous qu'il n'y ait pas d'espace vide car le flux d'air ne doit pas s'échapper par les côtés pendant le fonctionnement.

### Note :

- Le Couvercle Friteuse à Air Chaud s'adapte aux casseroles normales de 8 pouces et 10 pouces et est compatible avec tous les autocuiseurs de 6, 7 ou 8 pintes.
- Le récipient utilisé pour la cuisson avec le Couvercle Friteuse à Air Chaud doit avoir plus de 4 pouces de profondeur.
- Les températures augmentent beaucoup plus rapidement lors de la cuisson avec une casserole qu'avec l'autocuiseur. Soyez extrêmement prudent pour empêcher les aliments de trop cuire ou de brûler, car ce type d'ustensiles de cuisine peut devenir extrêmement chaud. Ne touchez pas les surfaces pour éviter tout risque de brûlure.
- Il est préférable de laisser une distance de 2 pouces entre le Couvercle Friteuse à Air Chaud et vos aliments. Ne laissez pas les aliments toucher l'élément chauffant électrique pour éviter tout risque d'incendie.



### ATTENTION

- *Assurez-vous que le Couvercle Friteuse à Air Chaud est correctement positionné et fixé au récipient de cuisson avant utilisation. Le non-respect de cette consigne peut entraîner des dommages au récipient de cuisson.*
- Lors de la cuisson avec un autocuiseur, assurez-vous que le pot de cuisson soit correctement inséré dans la base pour éviter des accidents tels que des brûlures ou des dommages à l'appareil. Il est également important de s'assurer que l'autocuiseur n'est pas branché sur une prise électrique.

- Placez toujours le récipient qui servira à la cuisine sur une surface froide, plane et résistante à la chaleur.
  - Placez toujours le Couvercle Friteuse à Air Chaud sur son tapis en silicone noir lorsqu'il n'est pas utilisé.
2. Placez le Couvercle Friteuse à Air Chaud et l'autocuiseur, la casserole ou le récipient qui seront utilisés sur une surface froide, plane et résistante à la chaleur.
  3. Placez vos aliments dans le récipient. Si vous souhaitez utiliser un accessoire compatible avec les friteuses à air (trépied, panier, etc.), placez-le avants dans le récipient. Lorsque vous utilisez un accessoire, assurez-vous qu'il s'adapte correctement et permet au couvercle d'être correctement fixé.
  4. Saisissez le Couvercle Friteuse à Air Chaud par la poignée et fixez-le au récipient avec les ingrédients et les aliments à l'intérieur.
  5. Appuyez sur l'interrupteur de sécurité et mettez simultanément la poignée à plat en position horizontale jusqu'à ce que vous entendiez un clic. La poignée du couvercle est alors fixée en place et l'interrupteur de sécurité est activé. L'activation de cet interrupteur permet au Couvercle Friteuse à Air Chaud de s'allumer et de fonctionner. **Note** : Si la poignée du couvercle n'est pas correctement placée vers le bas, le Couvercle Friteuse à Air Chaud ne fonctionnera pas.
  6. Branchez le Couvercle Friteuse à Air Chaud dans une prise.

### ATTENTION

- **NE PAS** laisser le cordon toucher ou tomber sur le couvercle. **NE PAS** utiliser de prises de courant sous les comptoirs. Le non-respect de cette consigne pourrait faire fondre ou endommager le cordon/
7. Sélectionnez le pré-réglage souhaité (frites, ailes de poulet, steak ou réchauffage) en appuyant sur le bouton Menu. Appuyez plusieurs fois sur le bouton Menu pour parcourir les différentes fonctions.
  8. Si vous souhaitez utiliser un temps et une température personnalisés, appuyez simplement sur le bouton Menu, puis utilisez les flèches de temps et de température pour sélectionner les paramètres souhaités.
  9. Appuyez sur le bouton ON/OFF pour lancer le processus de cuisson. **Note** : si la poignée est soulevée pendant le processus de cuisson, le Couvercle Friteuse à Air Chaud se met en pause immédiatement. Pour reprendre, poussez la poignée complètement vers le bas en pressant simultanément sur l'interrupteur de sécurité et appuyez à nouveau sur

**le bouton ON/OFF. L'unité dispose d'une fonction de mémoire de 2 minutes permettant aux utilisateurs de suspendre le processus de cuisson et de reprendre le réglage dans lequel il fonctionnait. Si plus de 2 minutes se sont écoulées après la pause de cuisson, les pré-réglages devront être réajustés au temps et à la température désirés.**

10. Pendant le processus de cuisson, il est recommandé de vérifier si les aliments sont cuits à travers le dessus en verre transparent du Couvercle Friteuse à Air Chaud. Ajustez le temps et la température si nécessaire.
11. Mélangez les aliments régulièrement en cours de cuisson.
12. Une fois le processus de cuisson terminé, vous entendrez 6 bips de l'appareil. L'affichage LED du Couvercle Friteuse à Air Chaud indiquera OFF et l'appareil prendra 2 minutes supplémentaires pour se refroidir.
13. Une fois l'appareil complètement arrêté, retirez le Couvercle Friteuse à Air Chaud et placez-le sur le tapis en silicone. Placez toujours le Couvercle Friteuse à Air Chaud sur le tapis en silicone lorsqu'il n'est pas utilisé.
14. Laisser refroidir le Couvercle Friteuse à Air Chaud pendant environ 30 minutes avant de nettoyer ou de ranger l'appareil. La température de la surface et du dessus du Couvercle Friteuse à Air Chaud restera chaude pendant quelques minutes après la fin du fonctionnement. Essayez d'éviter de déplacer ou de toucher l'appareil.

### **Conseils :**

- N'utilisez pas de récipients qui ne résistent pas à la chaleur, tels que du plastique, du verre, des assiettes en céramique ou du papier pour cuire des aliments à l'aide du Couvercle Friteuse à Air Chaud.
- Pour de meilleurs résultats, préchauffez votre récipient de cuisson à l'aide du Couvercle Friteuse à Air Chaud pendant environ 3 à 5 minutes.
- Pour des résultats de cuisson meilleurs et plus uniformes, secouez ou retournez les ingrédients une ou deux fois tout au long du processus de cuisson.
- Lorsque le Couvercle Friteuse à Air Chaud fonctionne, l'affichage LED alterne entre l'affichage de la température réglée et le temps restant.
- Appuyez sur le bouton ON/OFF ou soulevez la poignée du Couvercle Friteuse à Air Chaud pour interrompre le processus de cuisson à tout moment.

- Utilisez des maniques ou des gants de cuisine pour enlever les aliments chauds du récipient.
- Tous les aliments qui peuvent être cuits dans un four conventionnel peuvent être cuits à l'aide du Couvercle Friteuse à Air Chaud.
- Pour des résultats meilleurs et plus uniformes, il est recommandé d'utiliser des aliments de taille et d'épaisseur similaires.
- De petites quantités d'aliments nécessitent moins de temps de cuisson que de plus grandes quantités.
- Pour obtenir les meilleurs résultats dans les plus brefs délais, faites frire les aliments sur une seule couche.
- Lorsque vous faites des frites avec des pommes de terre fraîchement coupées, assurez-vous de bien les sécher avant la cuisson.

## RÉGLAGES

Il y a 4 programmes pré-réglés inclus dans le Couvercle Friteuse à Air Chaud, décrits dans le tableau ci-dessous. Veuillez noter que les boutons de contrôle de temps et de la température vous permettront d'ajuster chaque réglage si vous le souhaitez.

Préréglage	Temps de cuisson par défaut (HH:MM)	Température par défaut (°F)
Fries (Frites)	0:20	450
Wings (Ailes de Poulet)	0:20	450
Steak	0:16	450
Reheat (Réchauffer)	0:05	350

Vous trouverez ci-dessous des suggestions de cuisson pour chaque pré-réglage.

Préréglage	Suggestions de Cuisson
Fries (Frites)	<ul style="list-style-type: none"> <li>• Retourner ou secouez une ou deux fois tout au long du processus de cuisson pour une cuisson plus uniforme.</li> <li>• Cette fonction ne nécessite pas d'huile, mais une petite portion peut être ajoutée pour rehausser la saveur.</li> <li>• Nous vous suggérons d'utiliser un panier et un trépied pour friteuse à air pour raccourcir la distance entre l'élément chauffant et vos aliments, ainsi que pour améliorer la circulation de l'air.</li> </ul>

	<ul style="list-style-type: none"> <li>• Ne pas trop remplir pour permettre une bonne circulation de l'air à l'intérieur du récipient.</li> </ul>
Wings (Ailes de Poulet)	<ul style="list-style-type: none"> <li>• En retournant ou en secouant vos ailes une ou deux fois tout au long du processus de cuisson, vous garantissez une cuisson uniforme.</li> <li>• Nous vous suggérons d'utiliser un panier et un trépied pour friteuse à air pour raccourcir la distance entre l'élément chauffant et vos aliments, ainsi que pour améliorer la circulation de l'air.</li> <li>• Ne pas déborder le panier avec des ailes de poulet pour permettre une bonne circulation de l'air à l'intérieur du récipient.</li> </ul>
Steak	<ul style="list-style-type: none"> <li>• Démarrez le couvercle sur le prééglage Steak et laissez-le préchauffer pendant 4 minutes. Ensuite, placez votre steak dans le récipient et faites cuire chaque côté pendant environ 6 minutes.</li> <li>• La durée peut varier en fonction de l'épaisseur du steak et de vos préférences.</li> <li>• Pour améliorer la saisie, utilisez un récipient avec une cavité plus petite afin que l'élément chauffant soit aussi proche que possible du steak (par exemple, une casserole de 10 pouces).</li> </ul>
Reheat (Réchauffer)	<ul style="list-style-type: none"> <li>• Placez les aliments dans le récipient, sélectionnez le prééglage Réchauffage et démarrez votre Couvercle Friteuse à Air Chaud. Après 5 minutes, retirez le couvercle et savourez votre repas.</li> </ul>

Le tableau suivant fournit les paramètres recommandés pour différents aliments.

	Temps	Température
Poisson grillé	12 min	380 °F
Frites Surgelées	20-25 min	450 °F
Ailes de poulet	20-25 min	450 °F
Légumes	8 min	430 °F
Asperges	7 min	450 °F
Rondelles d'oignon surgelées	10 min	380 °F

**Remarque :** Gardez à l'esprit que ces paramètres sont des suggestions. Pour de meilleurs résultats, il est suggéré d'utiliser un accessoire résistant à la friteuse à air chaud, comme un trépied ou un panier, en particulier lors de la cuisson dans un autocuiseur.

### Conseils :

- Pour les aliments qui ont tendance à coller au fond du récipient, pensez à ajouter un peu d'huile en aérosol dans l'autocuiseur / récipient avant d'ajouter les ingrédients.
- Nous déconseillons de cuire les aliments très gras, comme les saucisses, dans des récipients peu profonds. Si vous souhaitez faire cuire des aliments gras, nous vous recommandons d'utiliser un récipient de cuisson plus profond.
- Ajoutez un peu d'huile aux pommes de terre fraîchement coupées pour obtenir un résultat plus croustillant. Faites frire vos ingrédients pendant quelques minutes puis ajoutez l'huile.
- Pour de meilleurs résultats, il est recommandé de secouer / retourner vos aliments une ou deux fois pendant le processus de cuisson pour s'assurer qu'ils sont cuits uniformément.

## NETTOYAGE ET ENTRETIEN

---

1. Après chaque usage, assurez-vous que l'alimentation est coupée et débranchez la fiche de la prise. Attendez que le Couvercle Friteuse à Air Chaud ait complètement refroidi avant de le nettoyer.
2. Essuyez doucement le Couvercle Friteuse à Air Chaud avec un chiffon doux et humide. Utilisez de l'eau savonneuse ou un détergent doux si nécessaire. Ne plongez jamais le Couvercle Friteuse à Air Chaud, en particulier l'élément chauffant principal, dans l'eau ou tout autre liquide, car cela pourrait provoquer un court-circuit ou un choc électrique.
3. **Le Couvercle Friteuse à Air Chaud n'est pas lavable au lave-vaisselle !**
4. Évitez d'utiliser des détergents abrasifs ou des tampons à récurer. Sécher soigneusement.
5. Avant de ranger l'appareil, assurez-vous qu'il est propre et sec. Placez-le dans un endroit sec et aéré qui ne reçoit pas directement la lumière du soleil. Conservez toujours dans un endroit frais et sec.

**NE PAS IMMERGER LE COUVERCLE FRITEUSE À AIR CHAUD DANS L'EAU NI DANS AUCUN AUTRE LIQUIDE !!**

# RESOLUTION DE PROBLÈMES

Problème	Cause Probable	Solution
Le Couvercle Friteuse à Air Chaud ne fonctionne pas.	L'appareil n'est pas branché.	Branchez la fiche dans une prise murale.
	Vous n'avez pas réglé la minuterie.	Ajustez le réglage au temps de préparation requis pour allumer l'appareil.
	La poignée du couvercle n'est pas correctement verrouillée.	Repoussez correctement la poignée du couvercle.
Les ingrédients frits avec le couvercle ne sont pas cuits.	Il y a trop de nourriture dans le récipient.	Mettez de plus petits lots d'ingrédients dans le récipient. Les lots plus petits sont frits plus uniformément.
	La température réglée est trop basse.	Ajustez le réglage au réglage de température requis (voir la section « Réglages »)
	Le temps de cuisson est trop court.	Ajustez le réglage au temps de préparation requis (voir la section « Réglages »)
Les aliments frits ne sont pas croustillants.	Vous avez utilisé un type d'aliments destiné à être préparé dans une friteuse traditionnelle.	Utilisez des collations préparées au four ou badigeonnez légèrement d'huile sur les collations pour un résultat plus croustillant.
De la fumée blanche sort de l'appareil.	Vous préparez des ingrédients gras.	Lorsque vous faites frire des ingrédients gras, une grande quantité d'huile s'écoule dans le récipient choisi. L'huile produit une fumée blanche et le récipient peut chauffer plus que d'habitude. Cela n'affecte pas l'appareil ou le résultat final.
	Le bac contient toujours des résidus de graisse provenant d'une utilisation précédente.	La fumée blanche est causée par le réchauffement de la graisse dans le récipient ; assurez-vous de bien nettoyer le récipient après chaque utilisation.

Les frites fraîches sont frites de manière inégale.	Vous n'avez pas utilisé le bon type de pomme de terre.	Utilisez des pommes de terre fraîches et assurez-vous qu'elles restent fermes pendant la friture.
	Vous n'avez pas bien rincé les bâtonnets de pommes de terre avant de les frire.	Rincer soigneusement les bâtonnets de pommes de terre pour éliminer l'amidon de l'extérieur des bâtonnets.
Les frites fraîches ne sont pas croustillantes une fois la cuisson terminée.	Le croustillant des frites dépend de la quantité d'huile et d'eau dans les frites.	Assurez-vous de bien sécher les bâtonnets de pommes de terre avant d'ajouter l'huile.
		Coupez les pommes de terre en bâtonnets plus fins pour un résultat plus croustillant.
		Ajoutez légèrement plus d'huile pour un résultat plus croustillant.

## RECETTES

---

### Saumon

- 4 filets de saumon
- Huile en aérosol
- Sel
- Poivre noir

Rincer et nettoyer les filets. Enrober chaque filet uniformément avec l'huile en aérosol. Assaisonner avec du sel et du poivre noir. Enduire l'intérieur de l'autocuiseur avec l'huile en aérosol. Placez le saumon à l'intérieur de l'autocuiseur et placez le Couvercle Friteuse à Air Chaud au-dessus. Réglez à 380 °F pendant 12 minutes. Pour des côtés cuits uniformément, retourner le filet de saumon après 6 minutes et continuer la cuisson pendant les 6 minutes restantes.

## **Ailes de Poulet à la Sauce Barbecue**

- Ailes de poulet
- Sel
- Poivre noir
- Huile en aérosol
- Sauce Barbecue

Assécher les ailes de poulet en tapotant et assaisonner de sel. Enduire l'autocuiseur avec l'huile en aérosol. Placez les ailes de poulet dans l'autocuiseur et arrangez-les en tant que couche uniforme et non les unes sur les autres. Placez le Couvercle Friteuse à Air Chaud au-dessus et faites cuire à 450 °F pendant 10 minutes. Une fois cuites, retournez les ailes de poulet soigneusement et laissez-les cuire encore 10 minutes. Une fois les ailes complètement cuites, ajoutez votre mélange préféré de sauce barbecue.

## **Brocoli, Chou-fleur et Carottes Mélange de Légumes Grillés**

- 2 Tasses de brocoli
- 2 Tasses de chou-fleur
- 3 Carottes, pelées
- Sel
- Poivre noir
- 1 Cuillère à soupe d'huile d'olive

Lavez les légumes et coupez-les en petits morceaux. Ajouter les légumes à l'autocuiseur. Ajoutez du sel, du poivre noir et de l'huile d'olive. Placez le Couvercle Friteuse à Air Chaud au-dessus et faites cuire à 430 °F pendant 8 minutes. Il est recommandé de secouer ou de mélanger les légumes après 4 minutes pour une cuisson uniforme.

## **Crevettes à la Noix de Coco**

- ½ Tasse de farine
- 2 Gros œufs
- 2/3 Tasse de flocons de noix de coco sucrés
- 1/3 Cup Tasse de chapelure panko
- 1 Livre de crevettes
- Huile en aérosol

Préparez trois plats peu profonds: un plat contenant la farine, un autre plat avec les 2 œufs battus et un troisième plat avec les flocons de noix de coco sucrés et la chapelure panko mélangés. En travaillant une crevette à la fois, enfariner les crevettes.

Trempez ensuite les crevettes dans l'œuf battu en secouant l'excédent. Placer les crevettes dans le troisième bol de flocons de noix de coco et de chapelure panko et presser pour bien les enrober. Enduire l'autocuiseur avec l'huile en aérosol et placer les crevettes prêtes dans l'autocuiseur en une couche uniforme sans superposition. Maintenant, enduisez les crevettes de l'huile en aérosol et placez le Couvercle Friteuse à Air Chaud au-dessus. Cuire à 400 °F pendant 6 minutes, en retournant les crevettes à 3 minutes pour garantir des côtés cuits uniformément.

### **Frites d'Avocat**

- 3 Avocats
- $\frac{3}{4}$  Tasse de farine
- Sel
- $\frac{1}{2}$  cuillère à thé de poivre noir
- 1 Tasse de chapelure panko
- 2 Gros œufs
- 1 cuillère à soupe d'eau
- Huile en aérosol

Coupez les avocats en quartiers ou en tranches. Ensuite, installez trois plats peu profonds. Un plat contiendra la farine avec le poivre noir, le deuxième plat aura les 2 gros œufs battus mélangés à 1 cuillère à soupe d'eau, et le troisième bol aura la chapelure panko et une pincée de sel. En prenant un quartier d'avocat à la fois, placez-les dans le bol de farine. Secouez l'excédent et trempez le quartier d'avocat dans le bol à œufs. Enfin, pressez le quartier d'avocat dans la chapelure panko en vous assurant que tout le quartier est couvert. Enduisez le fond de l'autocuiseur avec l'huile en aérosol et placez chaque quartier à l'intérieur. Enduisez les quartiers avec l'huile en aérosol avant de placer le Couvercle Friteuse à Air Chaud au-dessus. Cuire à 400 °F pendant 4 minutes. Une fois le temps terminé, retournez les quartiers et faites cuire à 400 °F pendant 4 minutes supplémentaires.

## **Préparation pour Gâteau**

- Préparation pour gâteau (mélangée et prête)
- Moule à gâteau
- Huile en aérosol

Préparez votre mélange à gâteau préféré ou votre pâte à gâteau maison. Vaporisez votre moule à gâteau avec l'huile en aérosol. Vous pouvez également ajouter de la matière grasse à l'intérieur du moule et l'enrober de farine. Nous vous recommandons d'utiliser l'accessoire moule à gâteau inclus avec votre autocuiseur. Transférez la préparation dans le moule à gâteau et placez une feuille d'aluminium dessus. Cela aidera le dessus du gâteau à cuire uniformément et évitera que le dessus ne soit trop cuit. Préchauffez l'autocuiseur avec le Couvercle Friteuse à Air Chaud à 350 °F pendant 10 minutes. Une fois le préchauffage terminé, placez soigneusement le moule à gâteau à l'intérieur de l'autocuiseur. Faites très attention car le Couvercle Friteuse à Air Chaud et le récipient de l'autocuiseur sont tous deux très chauds. Portez des gants de cuisine lors du maniement. Une fois le moule à gâteau placé à l'intérieur, remettez soigneusement le Couvercle Friteuse à Air Chaud au-dessus et faites cuire à 370 °F pendant 40 minutes.

## **Cheesecake (Gâteau au Fromage)**

- 2 Paquets de 8 onces de fromage frais
- ½ Cuillère à thé d'extrait de vanille
- ½ Tasse de sucre granulé
- 2 Gros œufs
- 1 Tasse de chapelure de biscuits Graham
- 2 Cuillères à soupe de beurre non salé, fondu
- Huile en aérosol

Tapissez le fond de votre moule à gâteau avec du papier sulfurisé. Pour un ajustement parfait, tracez le fond de la casserole sur le papier sulfurisé avec un crayon et découpez-le avec des ciseaux. Une fois le papier sulfurisé placé à l'intérieur de la poêle, enduisez le dessus et les côtés de la casserole avec de l'huile a aérosol. Mélangez la chapelure de biscuits Graham et le beurre fondu dans un bol. Placez ensuite le mélange dans le moule à gâteau. Pressez le mélange dans la casserole.

Prenez un moule à gâteau avec le mélange de biscuits Graham à l'intérieur et placez-le dans l'autocuiseur. Placez le Couvercle Friteuse à Air Chaud au-dessus et faites cuire à 350 °F pendant 5 minutes. Pendant la cuisson de la croûte, mélangez les ingrédients du cheesecake. Mélangez le fromage frais avec le sucre jusqu'à homogénéité.

Ajoutez l'extrait de vanille et mélanger bien jusqu'à ce que le mélange soit homogène. Ajoutez un œuf à la fois, bien mélanger après chaque ajout. Une fois que la pâte semble lisse et consistante, placez le mélange dans le moule à gâteau au-dessus de la croûte de biscuits Graham. Remettez le moule à gâteau dans l'autocuiseur, avec le Couvercle Friteuse à Air Chaud au-dessus, et faites cuire à 310 ° F pendant 20 minutes. Une fois cuit, laissez le cheesecake prendre au réfrigérateur pendant environ 5 heures.

### **Tacos Roulés Croustillant au Poulet**

- 1 Tasse de poulet cuit et effiloché
- ½ Tasse fromage râpé
- Sel
- Poivre noir
- Tortillas de maïs

Assaisonner le poulet avec du sel et du poivre noir. Vaporiser de l'huile en aérosol sur un côté de chaque tortilla. Placer le poulet et le fromage râpé au milieu du côté non huilé des tortillas. Rouler la tortilla et les ingrédients ensemble. Utilisez un cure-dent pour aider à maintenir la tortilla ensemble. Enduisez le fond de l'autocuiseur avec l'huile en aérosol. Placez chaque taco roulé à l'intérieur de l'autocuiseur, en vous assurant qu'ils ne se touchent pas. Placez le couvercle de la friteuse à air sur l'autocuiseur et faites cuire à 370 °F pendant 6 minutes, en retournant les tacos à 3 minutes pour des côtés cuits uniformément. Cuire jusqu'à ce qu'ils soient dorés et croustillants.

# GARANTIE

---

Nous vous suggérons de remplir et de nous renvoyer rapidement la Carte d'Enregistrement Produit ci-jointe afin de faciliter la vérification de la date d'achat. Cependant, le renvoi de la Carte d'Enregistrement Produit n'est pas une condition indispensable à l'application de la présente garantie. Vous pouvez aussi remplir cette carte de garantie en ligne à l'adresse suivante : [www.KALORIK.com](http://www.KALORIK.com).

A compter de la date d'achat, ce produit KALORIK est garanti un an, sur les territoires des États-Unis et du Canada, contre les défauts matériels et de fabrication. Cette garantie n'est pas transférable. Conservez la preuve d'achat originelle. Une preuve d'achat est exigée pour obtenir l'application de la garantie.

Durant cette période, le produit KALORIK qui, après inspection par KALORIK, s'avère défectueux, sera réparé ou remplacé, au choix de KALORIK, sans frais pour le consommateur. Si un produit de remplacement est envoyé, c'est la garantie restante du produit originel qui s'appliquera.

La présente garantie ne s'applique pas aux défauts dus à une mauvaise utilisation de la part de l'acheteur ou de l'utilisateur, à une négligence, au non-respect des consignes du manuel d'utilisation KALORIK, à une utilisation sur un circuit électrique au voltage différent de celui renseigné sur le produit, à une usure normale, à des modifications ou réparations non autorisées par KALORIK, ou par un usage à des fins commerciales. Il n'existe pas de garantie pour les parties en verre, récipients en verre, filtres, paniers, lames et accessoires en général. Il n'existe également pas de garantie pour les pièces perdues par l'utilisateur.

Toute garantie de valeur commerciale ou d'adaptabilité à ce produit est également limitée à la garantie d'un an.

Certains états ne limitent pas la longueur de la garantie tacite ou n'autorisent pas l'exclusion de dommages-intérêts accessoires ou indirects, les restrictions ci-dessus peuvent donc ne pas s'appliquer à vous. Cette garantie vous donne des droits légaux particuliers, et certains droits peuvent varier d'un état à l'autre.

Si l'appareil devait présenter un défaut durant la période de garantie et plus de 30 jours après l'achat, ne ramenez pas l'appareil au magasin : souvent, notre Service Clientèle peut aider à résoudre le problème sans

que le produit ne doit être réparé. Si une réparation est nécessaire, un représentant peut confirmer si le produit est sous garantie et vous rediriger vers notre centre de réparation.

Le cas échéant, ramenez le produit (ou envoyez-le, dûment affranchi), ainsi qu'**une preuve d'achat**, en mentionnant **le numéro d'autorisation de retour**, indiqué par notre service clientèle, au service après-vente KALORIK agréé (visitez notre site internet [www.KALORIK.com](http://www.KALORIK.com) ou appelez notre département Service Clientèle pour obtenir l'adresse du service après-vente KALORIK agréé).

Si vous envoyez le produit, veuillez y joindre une lettre expliquant la nature du défaut.

Si vous avez des questions complémentaires, veuillez appeler notre département Service Clientèle (voyez plus bas pour les coordonnées complètes), du Lundi au Jeudi de 9h à 17h (EST) et le Vendredi de 9h à 16h (EST). Veuillez noter que les heures sont sujettes à modification.

Si vous souhaitez nous écrire, adressez votre courrier à :

**KALORIK Customer Service Department**

Team International Group of America Inc.  
16175 NW 49th Avenue  
Miami Gardens, FL 33014 USA

Ou appelez (Gratuitement des Etats-Unis): +1 888-521-TEAM ou +1 888-KALORIK.

**Seules les lettres seront acceptées à l'adresse ci-dessus. Les envois et colis n'ayant pas de numéro d'autorisation de retour seront refusés.**

## Notes/Notas/Remarques

## Notes/Notas/Remarques

**For questions please contact:  
Pour toute question, veuillez contacter:  
Para preguntas por favor contacte**

**KALORIK Customer Service / Service Après-  
Vente/ Servicio al Cliente**

Team International Group of America Inc.  
16175 NW 49th Avenue  
Miami Gardens, FL 33014 USA



**Ref FT 46587**

Toll Free / Numéro Gratuit/ Llamada gratuita:  
+1 888-521-TEAM / +1 888-KALORIK  
[www.KALORIK.com](http://www.KALORIK.com)

*User manual content and recipes courtesy of Team International Group – Do not reproduce without consent of the authors - All rights reserved.*

*Contenu du guide d'utilisation et recettes fournis par Team International Group - Ne pas reproduire sans le consentement des auteurs - Tous droits réservés.*

*Contenido del manual del usuario y recetas cortesía de Team International Group - No reproducir sin el consentimiento de los autores - Todos los derechos reservados.*

---

**KALORIK®**

Since 1930