



HALO COUNTERTOP CART



Model No: HO-1006-XNA

CARRO DE MESÓN

GUÍA DE INSTRUCCIONES

CHARIOT DE COMPTOIR

GUIDE D'INSTRUCTION

INSTRUCTION GUIDE

TABLE OF CONTENTS

ABOUT THE COUNTERTOP CART	04
FOR USE WITH THE VERSA 16 OUTDOOR PIZZA OVEN AND PRIME 300 COUNTERTOP PELLET GRILL	05
OWNER'S MANUAL	06
PRODUCT INSTALLATION RECORD	07
COUNTERTOP CART PARTS LIST	08
ASSEMBLY PREPARATION	10
ASSEMBLY INSTRUCTIONS	11
ASSEMBLED DIMENSIONS	23
HOW TO COLLAPSE THE COUNTERTOP CART	24
FIVE (5) YEAR LIMITED WARRANTY	25

MANUAL DEL USUARIO	28
REGISTRO DE INSTALACIÓN DEL PRODUCTO	29
LISTA DE PIEZAS DEL CARRO DE MESÓN	30
PREPARACIÓN DEL MONTAJE	32
INSTRUCCIONES DE MONTAJE	33
DIMENSIONES DE MONTAJE	45
CÓMO COLAPSAR EL CARRO DE MESÓN	46
GARANTÍA LIMITADA DE CINCO (5) AÑOS	47

MANUEL DU PROPRIÉTAIRE	50
DOSSIER D'INSTALLATION DU PRODUIT	51
LISTE DES PIÈCES DU CHARIOT DE COMPTOIR	52
PRÉPARATION DE L'ASSEMBLAGE	54
INSTRUCTIONS DE MONTAGE	55
DIMENSIONS DE L'ASSEMBLAGE	67
COMMENT REPLIER LE CHARIOT DE COMPTOIR	68
GARANTIE LIMITÉE DE CINQ (5) ANS	69

ABOUT THE COUNTERTOP CART

The **HALO Countertop Cart's** unique features perfectly pair with any Halo countertop product. Free up clutter and keep your space clean with a hidden drop-down drawer, strategically placed drainage holes, and a magnetic attachment to access cooking utensils. Safely store your 20lb propane tank with a lock-in-place setting at the cart's rear base.

The CTC also has a 360-degree rolling range and durable caster wheels compatible with various rolling surfaces, making it easy and comfortable to transition from the deck to outdoor terrain.

Easily collapsible, the simple detach and drop detail makes it perfect for the patio or on the go.

Outdoor storage never looked so sleek!



PERFECT FOR USE WITH:



VERSA 16
OUTDOOR PIZZA OVEN



PRIME 300
COUNTERTOP PELLETT GRILL

PIZZA OVEN AND PELLETT GRILL SOLD SEPARATELY
AVAILABLE ONLINE AT HALO-PG.COM

OWNER'S MANUAL

MODEL NO: HO-1006-XNA

SAVE THIS MANUAL FOR FUTURE REFERENCE.

 **WARNING**

READ ALL INSTRUCTIONS BEFORE INSTALLING AND USING THE COUTERTOP CART.

 **WARNING**

CALIFORNIA PROPOSITION 65

This product can expose you to chemicals known to the State of California to cause cancer and birth defects or other reproductive harm. For more information go to www.P65Warnings.ca.gov

 **WARNING**

**Pinch
Points**



 **ADVERTENCIA:**
Puntos de pellizco

 **AVERTISSEMENT:**
Points de pincement

SCAN FOR
Product Registration
Online Owner's Guide
Assembly Videos



PRODUCT INSTALLATION RECORD

IMPORTANT: FILL OUT PRODUCT RECORD INFORMATION BELOW, OR TO REGISTER YOUR PRODUCT, VISIT OUR WEBSITE AT halo-pg.com.

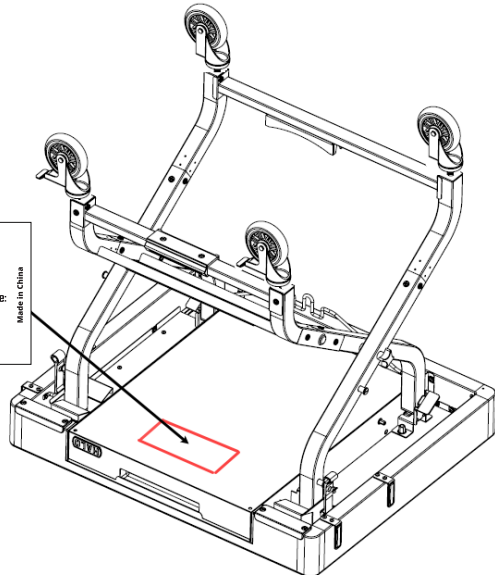


Model Number: _____

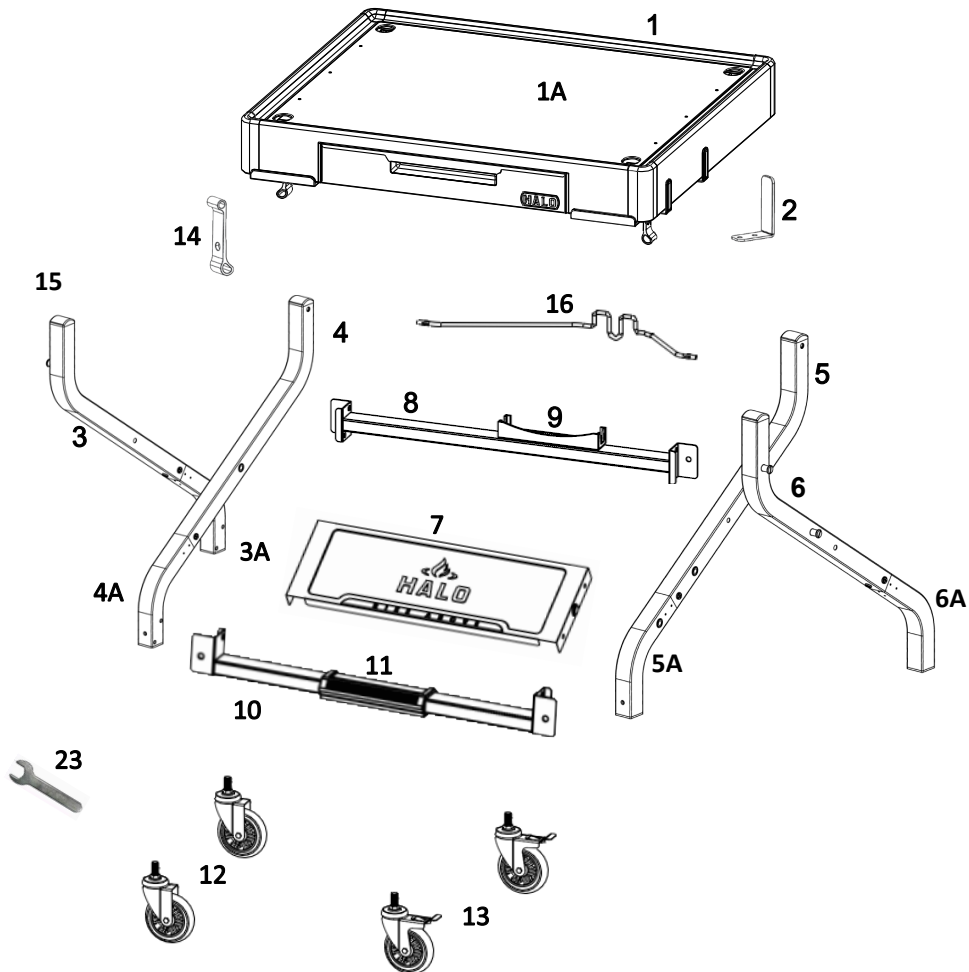
Serial Number: _____ Purchase Date: _____

NOTICE: Model number and Serial Number located on bottom of the drawer.

 Halo-Products Group LLC 850 West Park Road Bristol/Newton KY 42071	Product Name: COUNTERTOP CART Nombre del producto: Carro de Mesón Nom du produit: Chariot de comptoir Made/Modelo/Modelle No: HD-1000-XNA Serial No./Número de serie/Numéro de série: _____
 	Customer Service: Toll Free (833) 572-1688 Servicio al cliente: Llamada gratuita (833) 572-1688 Service à la clientèle: Sans frais (833) 572-1688



COUNTERTOP CART PARTS LIST

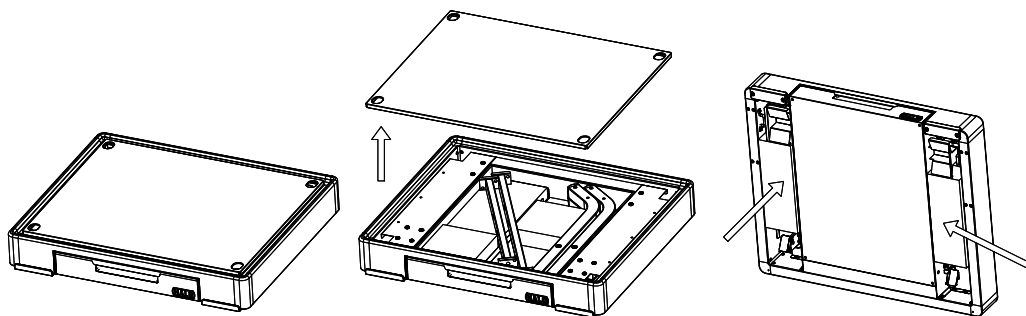


ITEM	PART DESCRIPTION	PART NO.	QTY.
1	Countertop Assembly	HO-1006-XNA-1	1
1A	Countertop Panel	HO-1006-XNA-1A	1
2	Magnetic Tool Hook	HO-1006-XNA-2	4
3	Left-Outer Leg-Long	HO-1006-XNA-3	1
3A	Left-Outer Leg-Short	HO-1006-XNA-3A	1
4	Left-Inner Leg-Long	HO-1006-XNA-4	1
4A	Left-Inner Leg-Short	HO-1006-XNA-4A	1
5	Right-Inner Leg-Long	HO-1006-XNA-5	1
5A	Right-Inner Leg-Short	HO-1006-XNA-5A	1
6	Right-Outer Leg-Long	HO-1006-XNA-6	1
6A	Right-Outer Leg-Short	HO-1006-XNA-6A	1
7	Front Panel with Logo	HO-1006-XNA-7	1
8	Rear Brace	HO-1006-XNA-8	1
9	Tank Support Bracket	HO-1006-XNA-9	1
10	Front Brace	HO-1006-XNA-10	1
11	Footrest Pad	HO-1006-XNA-11	1
12	Caster-Non-swivel	HO-1006-XNA-12	2
13	Caster-with Lock	HO-1006-XNA-13	2
14	Latch-Common	HZ-1004-03	2
15	Leg Cap	HO-1006-XNA-14	4
16	Tank Retention Wire	HO-1006-XNA-15	1
17	Hardware Blister Pack	HO-1006-XNA-16	1
18	M6 x 14 Screw	HO-1006-XNA-17	26
18A	M4 x 12 Screw	HO-1006-XNA-17A	14
19	M6 Shoulder Screw	HO-1006-XNA-19	4
20	Leg Bushing	HO-1006-XNA-20	2
21	M6 Knob with Threaded Shaft	HO-1006-XNA-21	2
22	8mm Pivot Pin	HO-1006-XNA-22	2
22A	Cotter Pin	HO-1006-XNA-23A	2
22E	Flat Washer	HO-1006-XNA-23B	2
23	17mm Caster Wrench	HO-1006-XNA-23	1

ASSEMBLY PREPARATION

Parts are located throughout the shipping carton, including inside the drawer. Inspect all parts, and hardware blister pack after removing from the protective shipping carton. Discard all packaging materials from inside and outside of the cart before assembly, then review and inspect all parts by referencing the parts list. If any part is missing or damaged, do not attempt to assemble. Contact Halo Customer Service for parts.

Halo Customer Service:
Monday-Friday, 8am-5pm
Toll Free: 1-833-572-1688



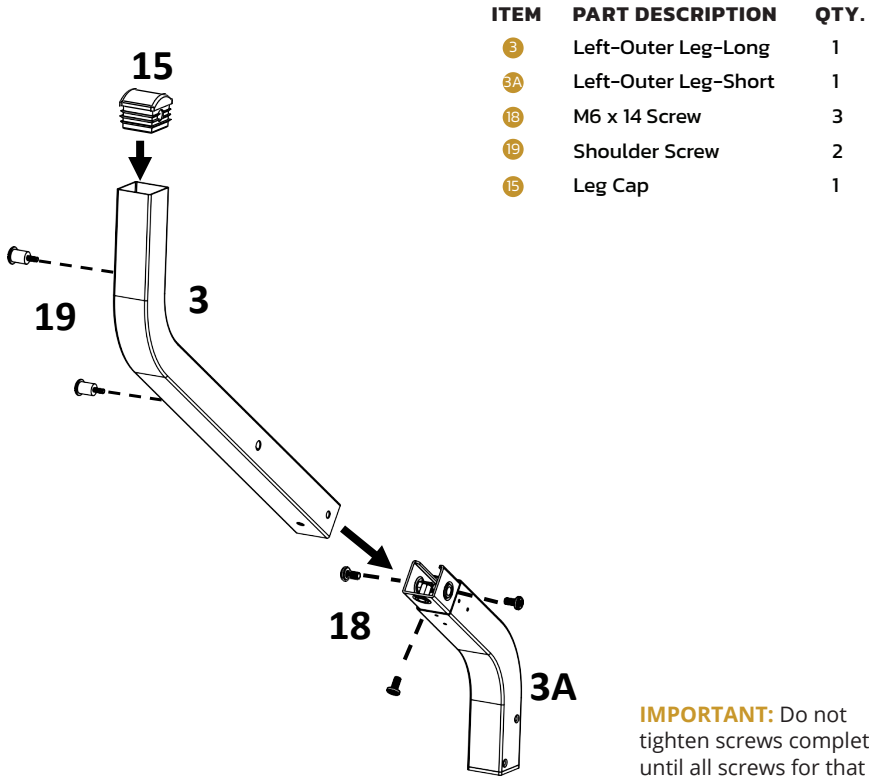
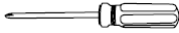
IMPORTANT: It is advised to read each step entirely before starting assembly on instructions. Do not tighten screws completely until all screws for that step have been installed.

NOTE: The packaging carton can be flattened and use as protective pad to help painted surface from scratch during assembly.

1

Install Left Outer Leg using 3-M6 x 14 screws, install Leg Cap.

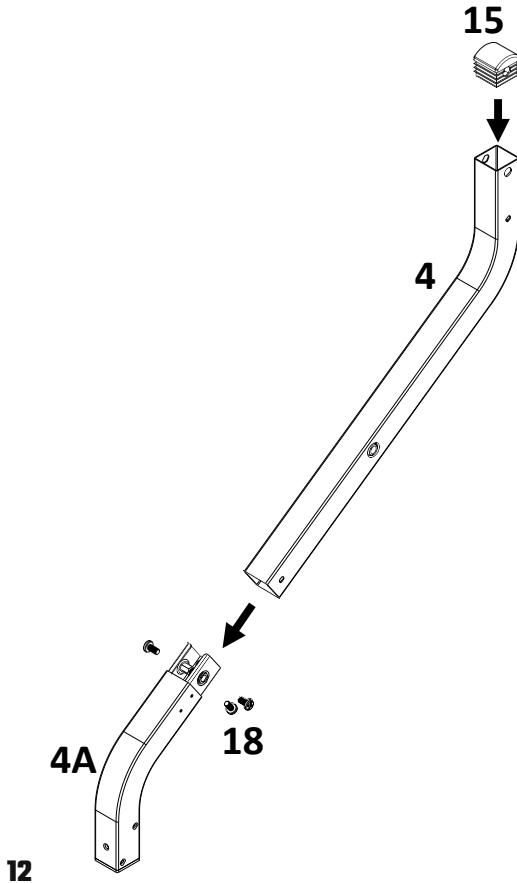
Tool required for assembly: #2 Phillips Screwdriver



IMPORTANT: Do not tighten screws completely until all screws for that step have been installed.

2

Install Left Inner Leg using 3-M6 x 14 screws, install Leg Cap.



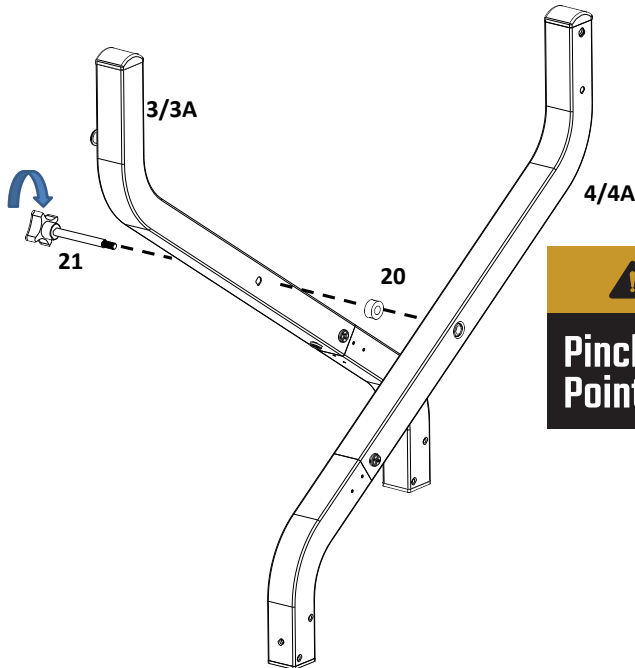
ITEM	PART DESCRIPTION	QTY.
4	Left-Inner Leg-Long	1
4A	Left-Inner Leg-Short	1
18	M6 x 14 Screw	3
15	Leg Cap	1

IMPORTANT: Do not tighten screws completely until all screws for that step have been installed.

3

Install Left Outer Leg assembly and Left Inner Leg assembly using M6-Knob with Threaded Shaft, placing Leg Bushing in between. Set assembly aside.

ITEM	PART DESCRIPTION	QTY.
3 3A	Left Outer Leg Assembly	1
4 4A	Left Inner Leg Assembly	1
20	Leg Bushing	1
21	M6 Knob with Threaded Shaft	1



⚠ WARNING

**Pinch
Points**

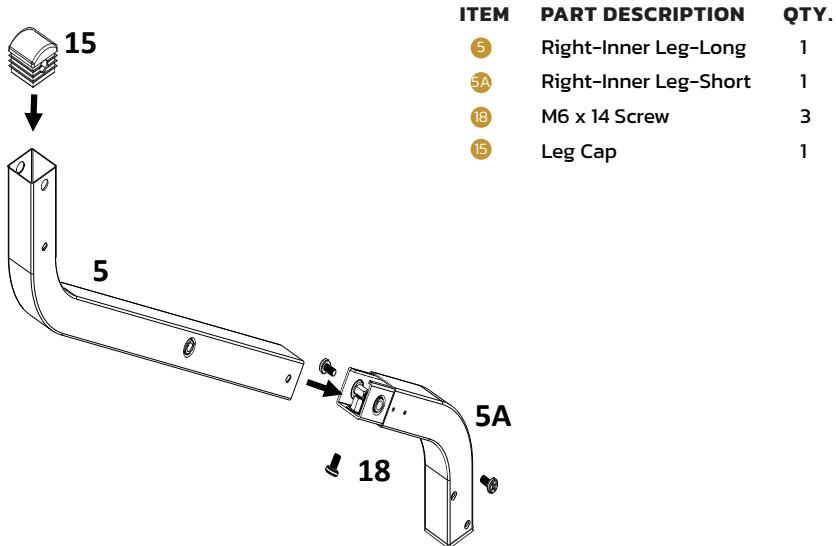


⚠ ADVERTENCIA:
Puntos de pellizco

⚠ AVERTISSEMENT:
Points de pincement

4

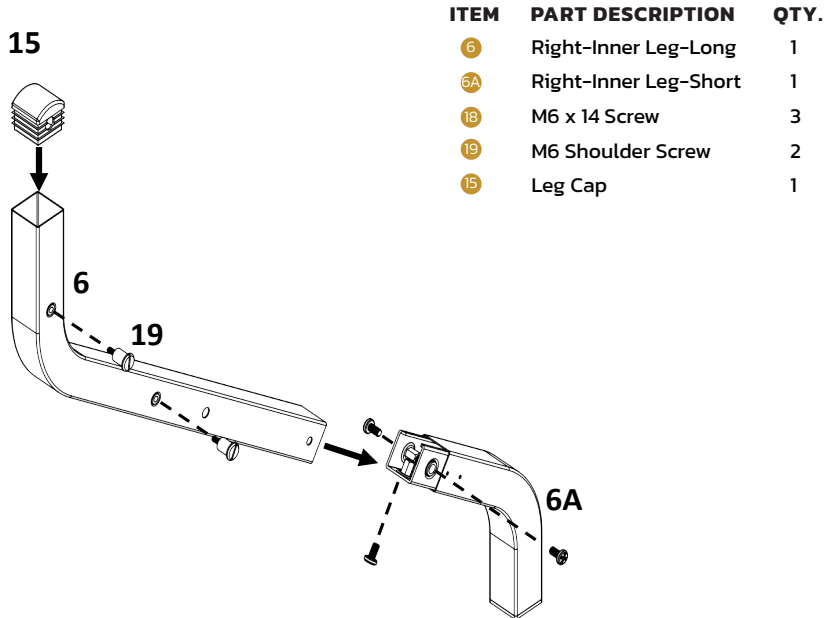
Install Right Inner Leg assembly using 3-M6 x 14 screws, install Leg Cap.



IMPORTANT: Do not tighten screws completely until all screws for that step have been installed.

5

Install Right Outer Leg assembly using 3-M6 x 14 and 2-M6 shoulder screws.

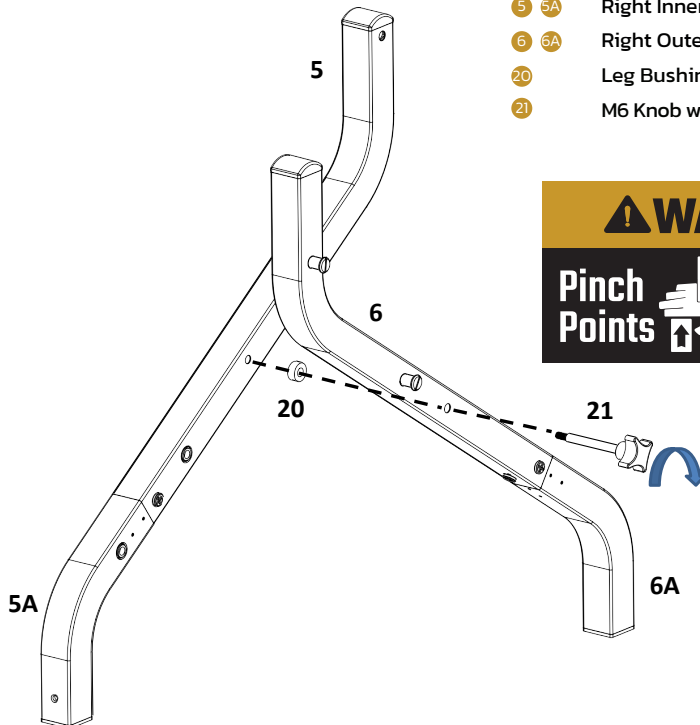


IMPORTANT: Do not tighten screws completely until all screws for that step have been installed.

6

Install Right Inner Leg assembly and Right Outer Leg assembly using M6-Knob with Threaded Shaft and Leg Bushing and tie firmly.

ITEM	PART DESCRIPTION	QTY.
5 5A	Right Inner Leg Assembly	1
6 6A	Right Outer Leg Assembly	1
20	Leg Bushing	1
21	M6 Knob with Threaded Shaft	1



⚠ WARNING

Pinch Points



⚠ ADVERTENCIA:
Puntos de pellizco

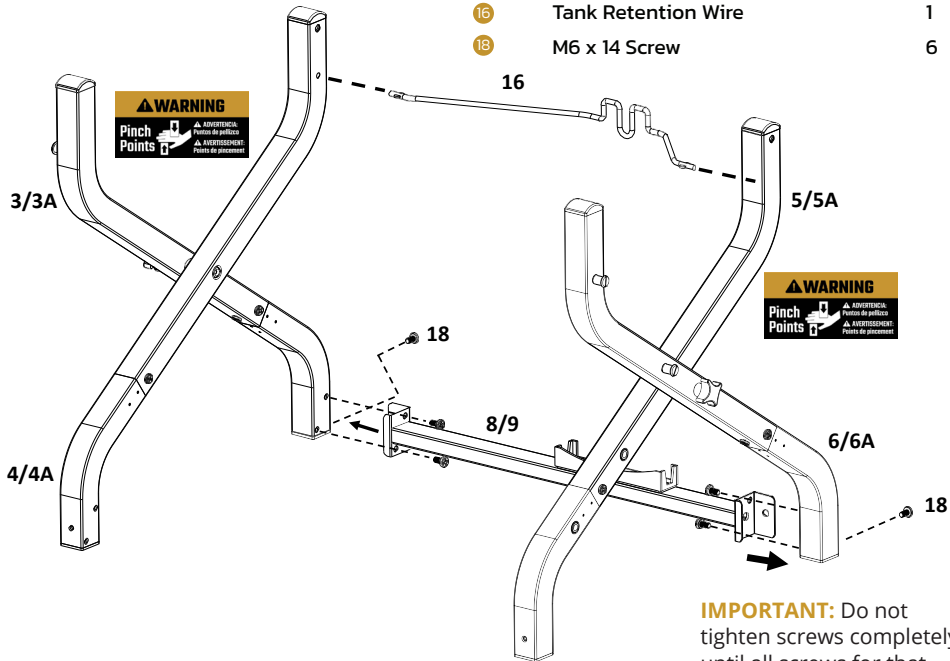
⚠ AVERTISSEMENT:
Points de pincement

7

Install Tank Retention and Rear Brace using 6-M6 x 14 screws.

NOTE: Tie all screws with hand tie and wait until next step.

ITEM	PART DESCRIPTION	QTY.
3 3A	Left Outer Leg Assembly	1
4 4A	Left Inner Leg Assembly	1
5 5A	Right Inner Leg Assembly	1
6 6A	Right Outer Leg Assembly	1
8 9	Rear Brace, Tank Support Assembly	1
16	Tank Retention Wire	1
18	M6 x 14 Screw	6



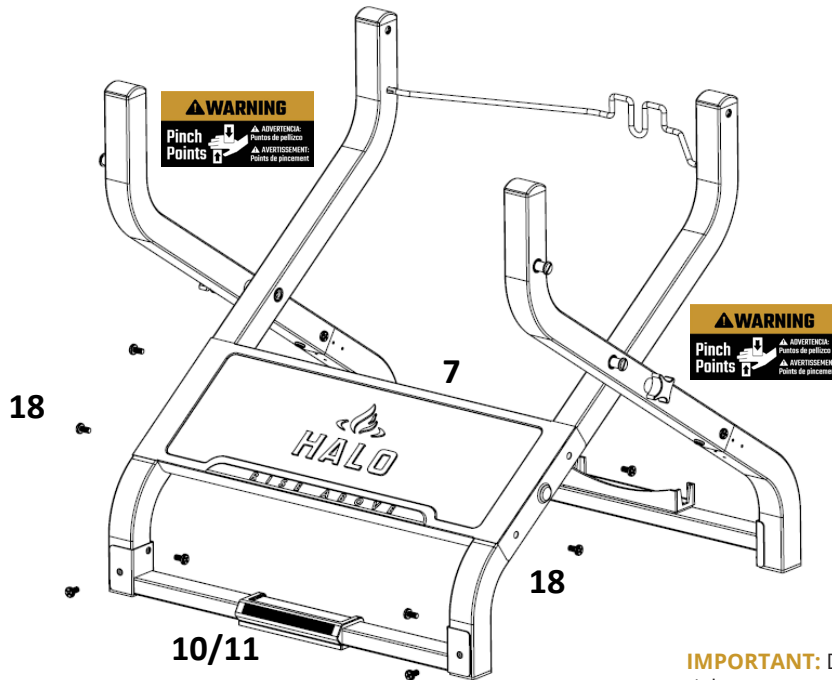
IMPORTANT: Do not tighten screws completely until all screws for that step have been installed.

8

Install Front Panel and Front Brace using 8-M6 x 14 screws.

NOTE: Tie all screws firmly.

ITEM	PART DESCRIPTION	QTY.
7	Front Panel with Logo	1
10 11	Front Brace	1
18	M6 x 14 Screw	8

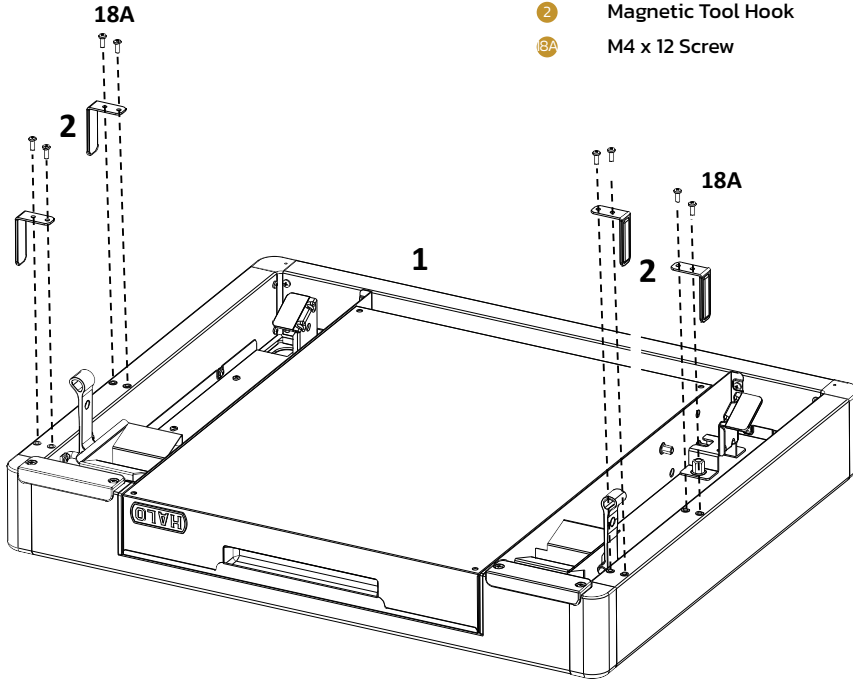


IMPORTANT: Do not tighten screws completely until all screws for that step have been installed.

9

Install Magnetic Tool Hooks using 8-M4 x 12 screws.

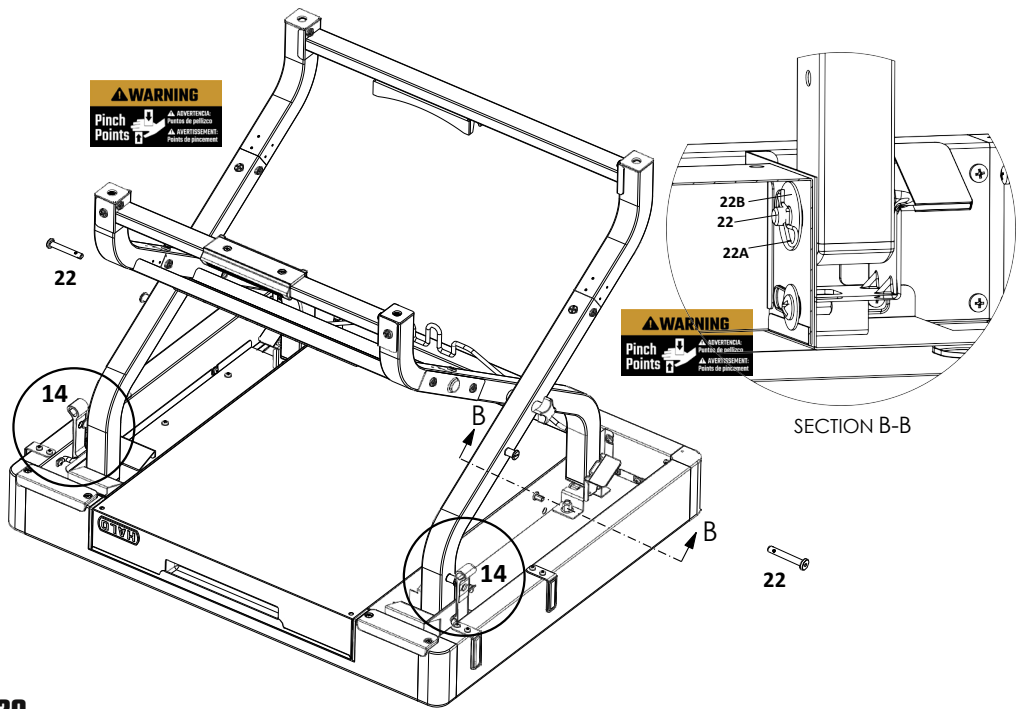
ITEM	PART DESCRIPTION	QTY.
1A	Countertop Panel	1
2	Magnetic Tool Hook	4
18A	M4 x 12 Screw	8



10

Install Cart assembly to Countertop using 2-8mm Pivot Pins and fasten Latches in place.

ITEM	PART DESCRIPTION	QTY.
1	Countertop Assembly	1
14	Latch	2
N/A	Cart Assembly	1
22	8mm Pivot Pin	2
22A	Cotter Pin	2
22B	Flat Washer	2

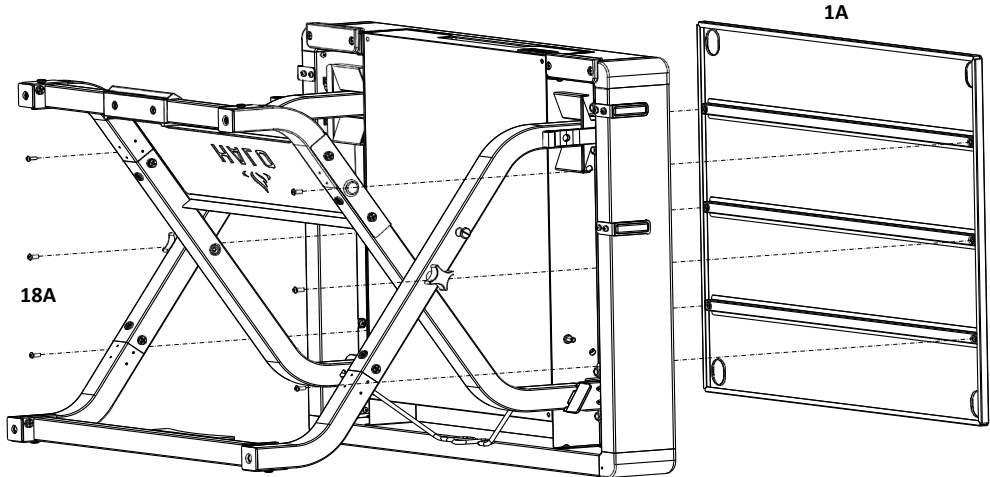


11

Install Countertop panel to Countertop using 6-M4 x 12 screws.

NOTE: Tie all screws firmly.

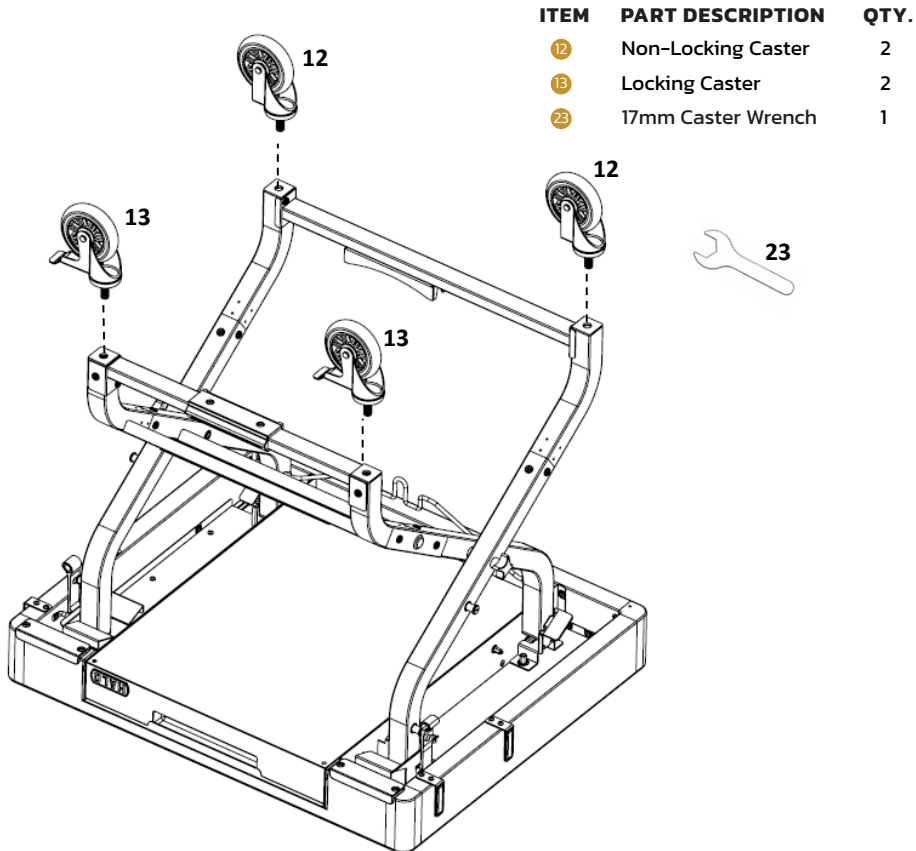
ITEM	PART DESCRIPTION	QTY.
1A	Countertop Panel	1
18A	M4 x 12 Screw	6



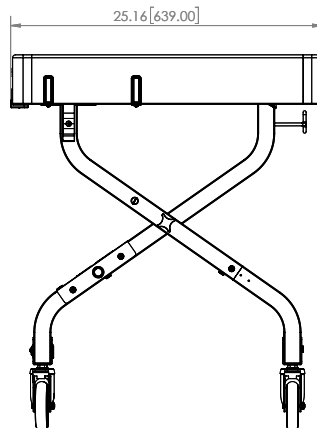
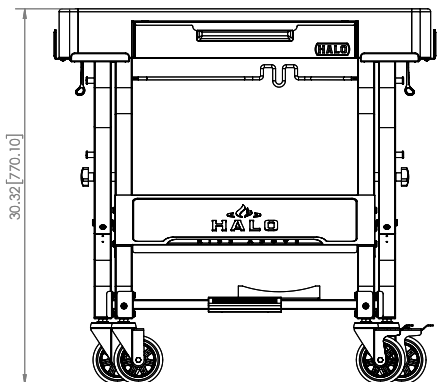
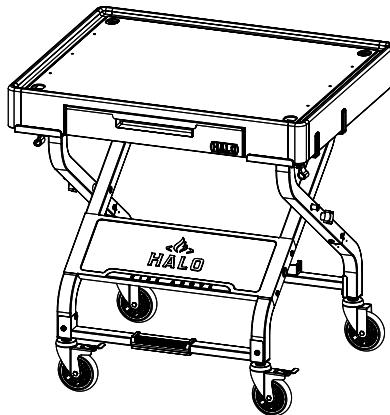
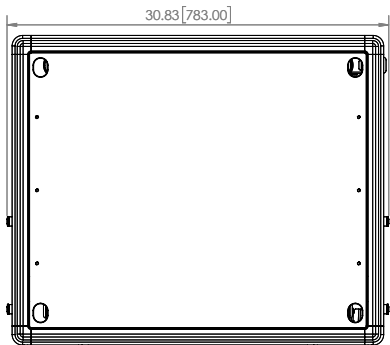
12

Connect the Casters using 17mm caster wrench. Mount Locking Casters to front legs. Mount Non-Locking Casters to rear legs.

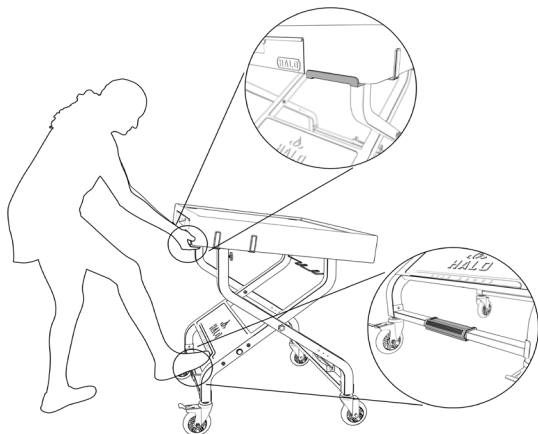
NOTE: For casters with lock, you can lock the cater which will lock the caster and will allow you assemble the caster without using caster wrench.



ASSEMBLED DIMENSIONS



HOW TO COLLAPSE THE CTC



Follow these steps to fold the Halo Countertop Cart.

1

Release ¹⁴ Latches on both sides of the cart.

2

Lock the front casters.

3

Lift the cart and lower it slowly.

⚠ WARNING

The cart weight gravity will move away from you very quickly. Move hands and feet away from pinch point at all times.

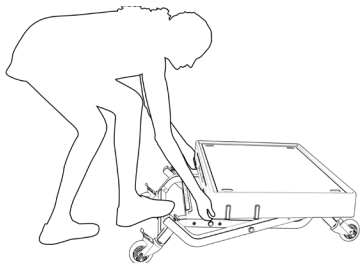
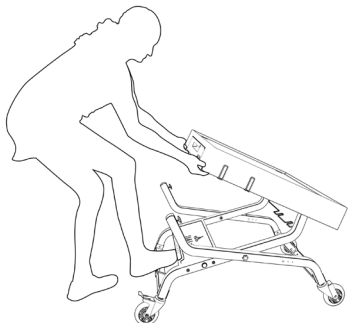
⚠ WARNING

Pinch Points



⚠ ADVERTENCIA:
Puntos de pellizco

⚠ AVERTISSEMENT:
Points de pincement



4

Fasten ¹⁴ Latches on both sides for storage or for taking your cart on the go.

FIVE (5) YEAR LIMITED WARRANTY

This warranty only applies to units purchased from an authorized retailer. Manufacturer warrants to the original consumer-purchaser only that this product shall be free from defects in workmanship and materials after correct assembly and under normal and reasonable home use for the periods indicated below beginning on the date of purchase.

SCOPE OF COVERAGE	PERIOD OF COVERAGE	TYPE OF FAILURE COVERAGE
Paint All Components	1 Year 5 Years	PERFORATION, MANUFACTURING, AND MATERIAL DEFECTS ONLY

The manufacturer reserves the right to require that defective parts be returned, postage and or freight pre-paid by the consumer for review and examination.

Please retain a copy of your proof of purchase to validate your warranty. You may be requested to send in a copy of your receipt to confirm any warranty requests.

The original consumer-purchaser will be responsible for all shipping charges for parts replaced under the terms of this limited warranty. This limited warranty is applicable in the United States and Canada only, is only available to the original owner of the product and is not transferable. Manufacturer requires proof of your date of purchase. Therefore, you should retain your sales slip or invoice. Registering your product is not a substitute for proof of purchase and the manufacturer is not responsible for or required to retain proof of purchase records. This limited warranty applies to the functionality of the product ONLY and does not cover cosmetic issues such as scratches, dents, corrosions or discoloring by heat, abrasive and chemical cleaners or any tools used in the assembly or installation of the appliance, surface rust, or the discoloration of stainless-steel surfaces. Paint is not warranted and will require touch up. **RUST** is not considered a manufacturing or materials defect.

This limited warranty will not reimburse you for the cost of any inconvenience, food, personal injury, or property damage.

ITEMS MANUFACTURER WILL NOT PAY FOR

1. Shipping cost, standard or expedited, for warranty and replacement parts.
2. Service calls to your home.
3. Repairs when your product is used for other than normal, single-family household or residential use.
4. Damage, failures, or operating difficulties resulting from accident, alteration, careless handling, misuse, abuse, fire, flood, improper installation or maintenance, installation not in accordance with electrical or plumbing codes, or use of products not approved by the manufacturer.
5. Any food loss due to product failures or operating difficulties.
6. Replacement parts or repair labor costs for units operated outside the United States or Canada.
7. Pickup and delivery of your product.
8. Repairs to parts or systems resulting from unauthorized modifications made to the product.
9. The removal and/or reinstallation of your product.

DISCLAIMER OF IMPLIED WARRANTIES AND LIMITATION OF REMEDIES

Repair or replacement of defective parts is your exclusive remedy under the terms of this limited warranty. In the event of parts availability issues, the manufacturer reserves the right to substitute like or similar parts that are equally functional. Manufacturer will not be responsible for any consequential or incidental damages arising from the breach of either this limited warranty or any applicable implied warranty, or for failure or damage resulting from acts of God, improper care and maintenance, grease fire, accident, alteration, replacement of parts by anyone other than Manufacturer, misuse, transportation, commercial use, abuse, hostile environments (inclement weather, acts of nature, animal tampering), improper installation or installation not in accordance with local codes or printed manufacturer instructions.

5 YEAR
LIMITED
WARRANTY

THIS LIMITED WARRANTY IS THE SOLE EXPRESS WARRANTY GIVEN BY THE MANUFACTURER. NO PRODUCT PERFORMANCE SPECIFICATION OR DESCRIPTION WHEREVER APPEARING IS WARRANTED BY MANUFACTURER EXCEPT TO THE EXTENT SET FORTH IN THIS LIMITED WARRANTY. ANY IMPLIED WARRANTY PROTECTION ARISING UNDER THE LAWS OF ANY STATE, INCLUDING IMPLIED WARRANTY OF MERCHANTABILITY OR FITNESS FOR A PARTICULAR PURPOSE OR USE, IS HEREBY LIMITED IN DURATION TO THE DURATION OF THIS LIMITED WARRANTY.

Manufacturer's maximum liability, in any event, shall not exceed the purchase price of the product paid by the original consumer. NOTE: Some states do not allow an exclusion or limitation of incidental or consequential damages, so some of the above limitations or exclusions may not apply to you. This limited warranty gives you specific legal rights as set forth herein. You may also have other rights which vary from state to state. In the state of California only, if refinishing or replacement of the product is not commercially practicable, the retailer selling this product or the Manufacturer will refund the purchase price paid for the product, less the amount directly attributable to use by the original consumer-purchaser prior to discovery of the nonconformity. In addition, in the state of California only, you may take the product to the retail establishment selling this product in order to obtain performance under this limited warranty. If you wish to obtain performance of any obligation under this limited warranty, you should write to:

Halo Products Group LLC 850 West Park Rd Elizabethtown KY, 42701

Consumer returns will not be accepted unless a valid Return Authorization is first acquired. Authorized returns are clearly marked on the outside of the package with an RA number and the package is shipped freight with postage pre-paid. Consumer returns that do not meet these standards will be refused.

CUSTOMER SERVICE

For questions regarding your product, or if you need replacement parts, contact us at:

Toll free: 1-833-572-1688 or

Visit us online at **www.halo-pg.com**

MANUAL DEL USUARIO

MODELO: HO-1006-XNA

GUARDE ESTE MANUAL PARA FUTURAS CONSULTAS.

ADVERTENCIA

LEA TODAS LAS INSTRUCCIONES ANTES DE INSTALAR Y UTILIZAR EL CARRO DE MESÓN.

ADVERTENCIA

CALIFORNIA PROPOSICIÓN 65

Este producto puede exponerle a sustancias químicas, que el Estado de California conoce como causantes de cáncer y defectos de nacimiento u otros daños reproductivos. Para más información, visite www.P65Warnings.ca.gov

WARNING

**Pinch
Points**



 **ADVERTENCIA:**
Puntos de pellizco

 **AVERTISSEMENT:**
Points de pincement

BUSCAR

**Registro del Producto
Guía del Usuario En Línea
Videos de Montaje**



REGISTRO DE INSTALACIÓN DEL PRODUCTO

IMPORTANTE: LLENE LA INFORMACIÓN DE REGISTRO DEL PRODUCTO A CONTINUACIÓN, O PARA REGISTRAR SU PRODUCTO, VISITE NUESTRA PÁGINA WEB EN halo-pg.com.

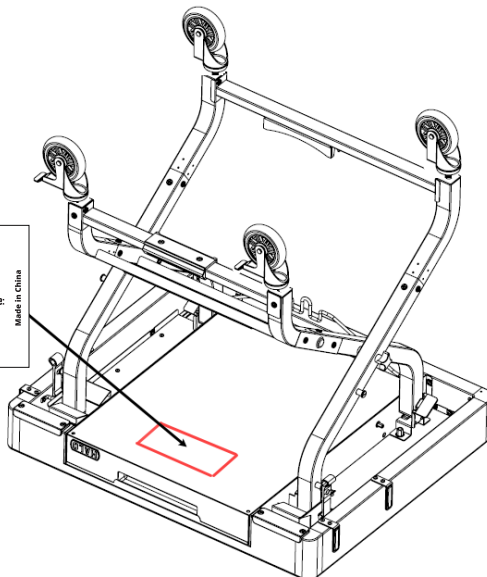


Número de Modelo: _____

Número de Serie: _____ Fecha de Compra: _____

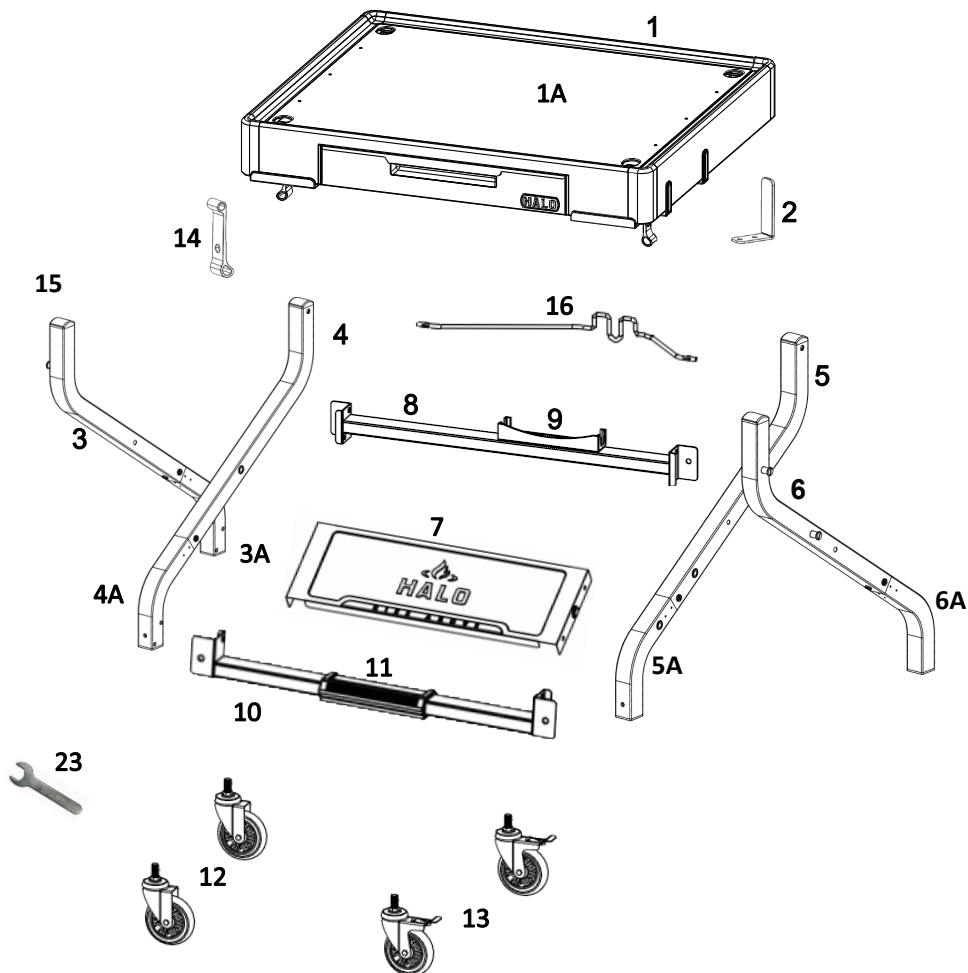
AVISO: El número de modelo y el número de serie se encuentran en la parte inferior del cajón.

 Halo-Products Group LLC 850 West Park Road Bristol/Steven KY 42071	Product Name: <u>COUNTERTOP CART</u> Nombre del producto: Carro de Mesón Nom du produit: Chariot de comptoir Model/Modelo/Modèle No: <u>HD-1000-XNA</u> Serial No./Número de serie/Numéro de série: _____
 	Customer Service: Toll Free (833) 572-1688 Servicio al cliente: Llamada gratuita (833) 572-1688 Service à la clientèle: Sans frais (833) 572-1688



Made in China

LISTA DE PIEZAS DEL CARRO DE MESÓN



ARTÍCULO DESCRIPCIÓN DE LA PIEZA NÚMERO DE PIEZA CANTIDAD

1	Montaje en Mesón	HO-1006-XNA-1	1
1A	Panel de Mesón	HO-1006-XNA-1A	1
2	Gancho Magnético para Herramientas	HO-1006-XNA-2	4
3	Pierna Izquierda - Larga Externa	HO-1006-XNA-3	1
3A	Pierna Izquierda - Corta Externa	HO-1006-XNA-3A	1
4	Pierna Izquierda - Larga Interior	HO-1006-XNA-4	1
4A	Pierna Izquierda - Corta Interior	HO-1006-XNA-4A	1
5	Pierna Derecha - Larga Interna	HO-1006-XNA-5	1
5A	Pierna Derecha - Corta Interna	HO-1006-XNA-5A	1
6	Pierna Derecha - Larga Externa	HO-1006-XNA-6	1
6A	Pierna Derecha - Corta Externa	HO-1006-XNA-6A	1
7	Panel Frontal con Logotipo	HO-1006-XNA-7	1
8	Tirante Trasero	HO-1006-XNA-8	1
9	Soporte del Tanque	HO-1006-XNA-9	1
10	Tirante Delantero	HO-1006-XNA-10	1
11	Protector de Reposapiés	HO-1006-XNA-11	1
12	Ruedas No Giratorias	HO-1006-XNA-12	2
13	Ruedas con Cerradura	HO-1006-XNA-13	2
14	Pestillo-Común	HZ-1004-03	2
15	Cubierta de Pata	HO-1006-XNA-14	4
16	Alambre de Retención del Tanque	HO-1006-XNA-15	1
17	Blisters de Hardware	HO-1006-XNA-16	1
18	Tornillo M6 x 14	HO-1006-XNA-17	26
18A	Tornillo M4 x 12	HO-1006-XNA-17A	14
19	Tornillo Shoulder M6	HO-1006-XNA-19	4
20	Buje de Pata	HO-1006-XNA-20	2
21	Pomo M6 con Eje Roscado	HO-1006-XNA-21	2
22	Pasador de Pivote de 8 mm	HO-1006-XNA-22	2
22A	Clavija	HO-1006-XNA-23A	2
22E	Arandela Plana	HO-1006-XNA-23B	2
23	Llave de Ruedas de 17 mm	HO-1006-XNA-23	1

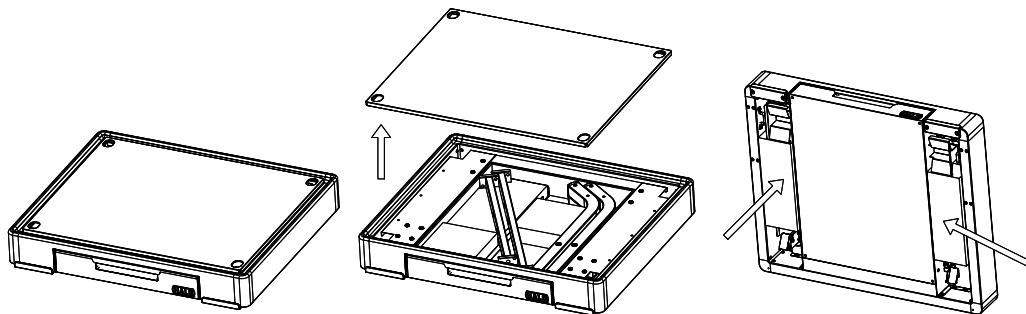
PREPARACIÓN DEL MONTAJE

Las piezas se encuentran en toda la caja de envío, incluso en el interior del cajón. Inspeccione todas las piezas y el blíster de hardware después de sacarlo de la caja protectora de envío. Deseche todos los materiales de embalaje del interior y del exterior del carro antes de ensamblarlo, luego revise e inspeccione todas las piezas consultando la lista de piezas. Si falta alguna pieza o está dañada, no intente armarlo. Póngase en contacto con el servicio de atención al cliente de Halo para obtener piezas.

Servicio de Atención al Cliente de Halo:

De lunes a viernes, 8am-5pm

Llamada gratuita: 1-833-572-1688



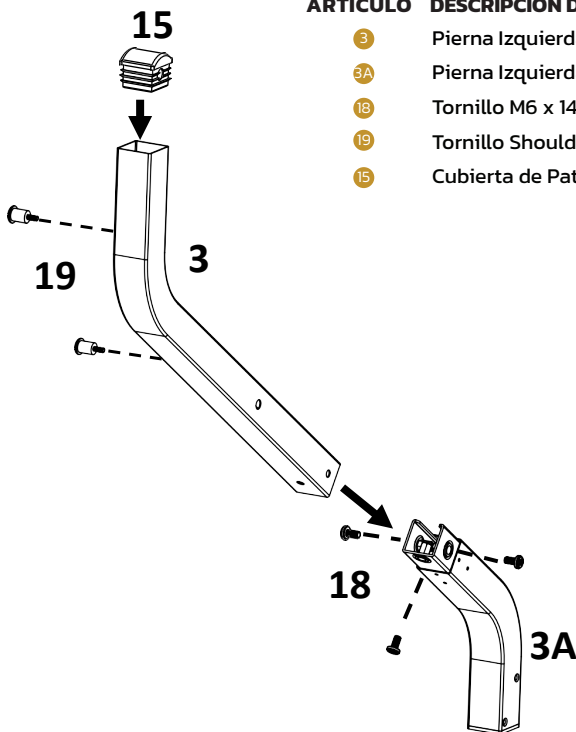
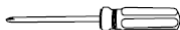
IMPORTANTE: Se aconseja leer completamente cada paso antes de comenzar el montaje en las instrucciones. No apriete los tornillos completamente hasta que se hayan instalado todos los tornillos de ese paso.

NOTA: El cartón del embalaje puede aplanarse y utilizarse como almohadilla protectora para evitar que la superficie pintada se raye durante el montaje.

1

Instale la Pata Exterior Izquierda con tornillos 3-M6 x 14, instale la Tapa de la Pata.

Herramienta necesaria para el montaje: #Destornillador Phillips nº 2



ARTÍCULO	DESCRIPCIÓN DE LA PIEZA	CANTIDAD
3	Pierna Izquierda - Larga Externa	1
3A	Pierna Izquierda - Corta Externa	1
18	Tornillo M6 x 14	3
19	Tornillo Shoulder M6	2
15	Cubierta de Pata	1

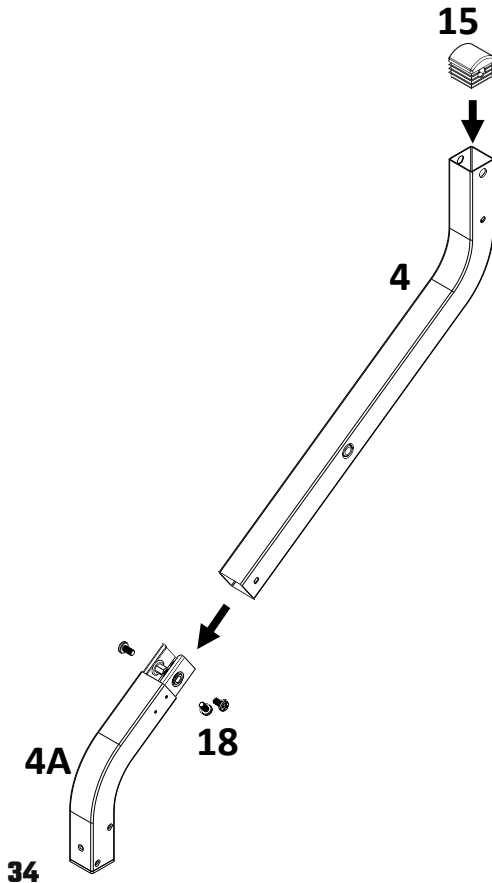
IMPORTANTE: No apriete los tornillos completamente hasta que se hayan instalado todos los tornillos de ese paso.

2

Instale la Pata Interior Izquierda con tornillos 3-M6 x 14, instale la Tapa de la Pata.

ARTÍCULO DESCRIPCIÓN DE LA PIEZA CANTIDAD

4	Pierna Izquierda - Larga Interior	1
4A	Pierna Izquierda - Corta Interior	1
18	Tornillo M6 x 14	3
15	Cubierta de Pata	1

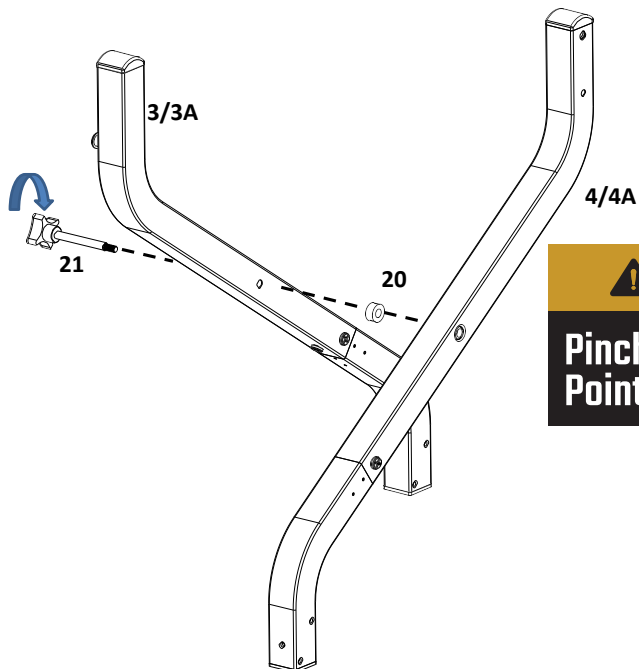


IMPORTANTE: No apriete los tornillos completamente hasta que se hayan instalado todos los tornillos de ese paso.

3

Instale el conjunto de la Pata Exterior Izquierda y el conjunto de la Pata Interior Izquierda utilizando el Pomo M6 con Eje Roscado, colocando el casquillo de la pata en medio. Aparte el montaje.

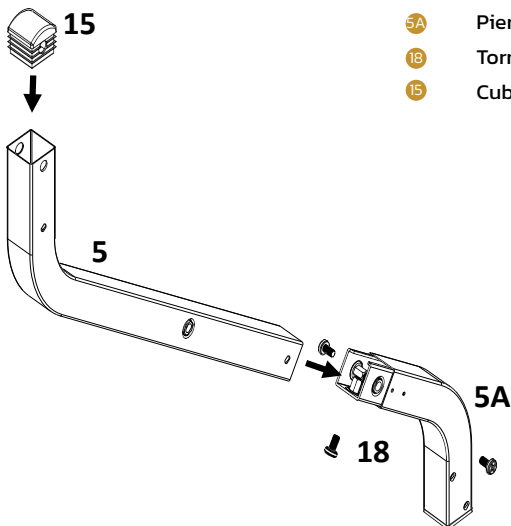
ARTÍCULO	DESCRIPCIÓN DE LA PIEZA	CANTIDAD
3 3A	Conjunto de la Pata Exterior Izquierda	1
4 4A	Conjunto de la Pata Interior Izquierda	1
20	Buje de Pata	1
21	Pomo M6 con Eje Roscado	1

**⚠ WARNING****Pinch Points****⚠ ADVERTENCIA:**
Puntos de pellizco**⚠ AVERTISSEMENT:**
Points de pincement

4

Instale el conjunto de la Pata Interior Derecha con tornillos 3-M6 x 14, instale la tapa de la pata.

ARTÍCULO	DESCRIPCIÓN DE LA PIEZA	CANTIDAD
5	Pierna Derecha - Larga Interna	1
5A	Pierna Derecha - Corta Interna	1
18	Tornillo M6 x 14	3
15	Cubierta de Pata	1



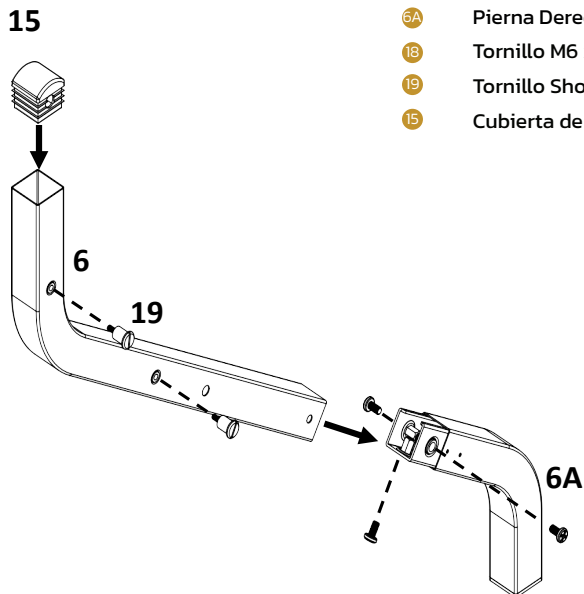
IMPORTANTE: No apriete los tornillos completamente hasta que se hayan instalado todos los tornillos de ese paso.

5

Instale el conjunto de la Pata Exterior Derecha con tornillos de 3-M6 x 14 y 2-M6.

ARTÍCULO DESCRIPCIÓN DE LA PIEZA CANTIDAD

6	Pierna Derecha - Larga Interna	1
6A	Pierna Derecha - Corta Interna	1
18	Tornillo M6 x 14	3
19	Tornillo Shoulder M6	2
15	Cubierta de Pata	1

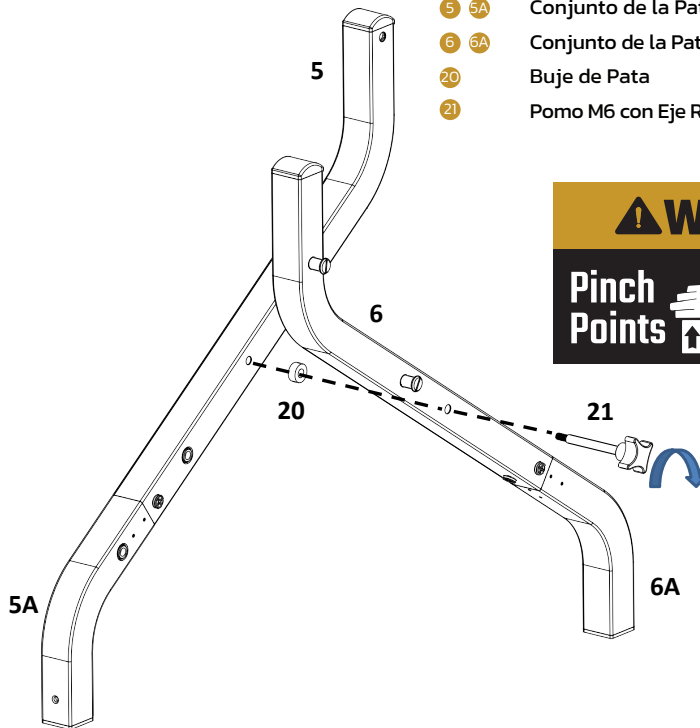


IMPORTANTE: No apriete los tornillos completamente hasta que se hayan instalado todos los tornillos de ese paso.

6

Instale el conjunto de la pata interior derecha y el conjunto de la pata exterior derecha utilizando M6-Knob con eje roscado y buje de la pata y ate firmemente.

ARTÍCULO	DESCRIPCIÓN DE LA PIEZA	CANTIDAD
5 5A	Conjunto de la Pata Interior Derecha	1
6 6A	Conjunto de la Pata Exterior Derecha	1
20	Buje de Pata	1
21	Pomo M6 con Eje Roscado	1

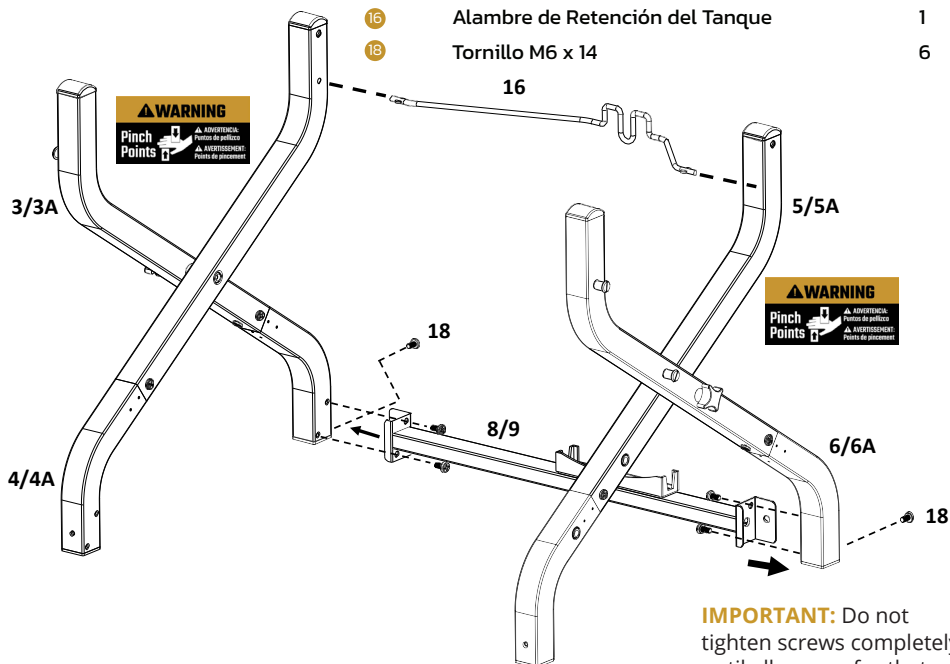


7

Instale la Retención del Tanque y la Abrazadera Trasera con tornillos 6-M6 x 14.

NOTA: Ate todos los tornillos con un amarre de mano y espere hasta el siguiente paso.

ARTÍCULO	DESCRIPCIÓN DE LA PIEZA	CANTIDAD
3 3A	Conjunto de la Pata Exterior Izquierda	1
4 4A	Conjunto de la Pata Interior Izquierda	1
5 5A	Conjunto de la Pata Interior Derecha	1
6 6A	Conjunto de la Pata Exterior Derecha	1
8 9	Soporte Trasero, Conjunto de Soporte del Tanque	1
16	Alambre de Retención del Tanque	1
18	Tornillo M6 x 14	6



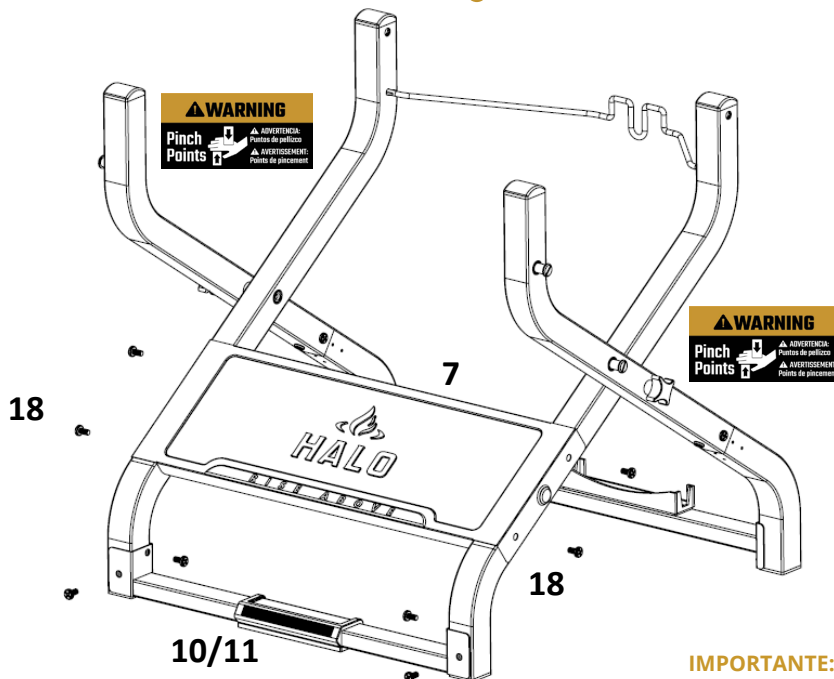
IMPORTANT: Do not tighten screws completely until all screws for that step have been installed.

8

Instale el Panel Frontal y la Abrazadera Frontal con tornillos 8-M6 x 14.

NOTA: Asegure firmemente todos los tornillos.

ARTÍCULO	DESCRIPCIÓN DE LA PIEZA	CANTIDAD
7	Panel Frontal con Logotipo	1
10 11	Tirante Delantero	1
18	Tornillo M6 x 14	8

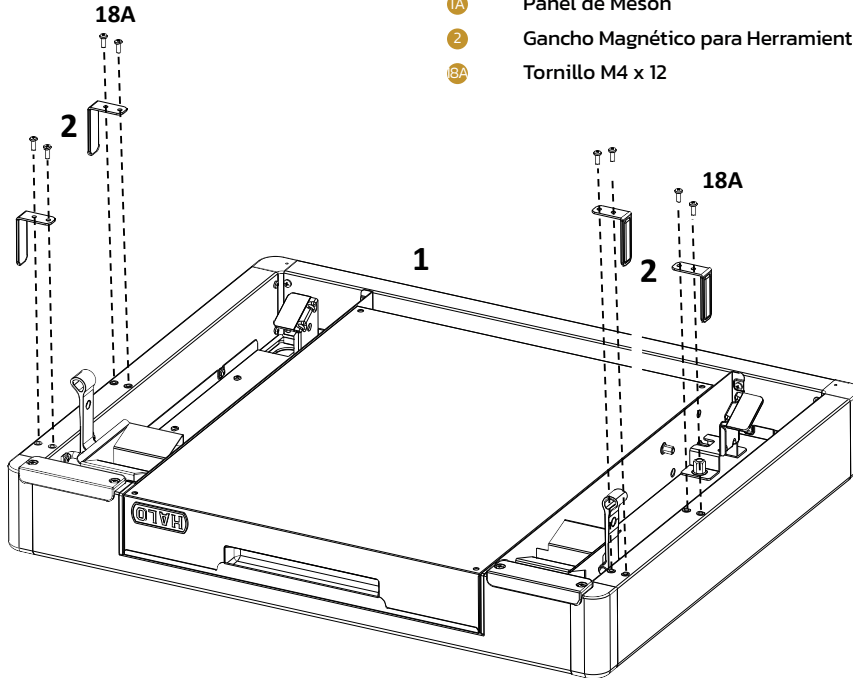


IMPORTANTE: No apriete los tornillos completamente hasta que se hayan instalado todos los tornillos de ese paso.

9

Instale los Ganchos Magnéticos para Herramientas con tornillos 8-M4 x 12.

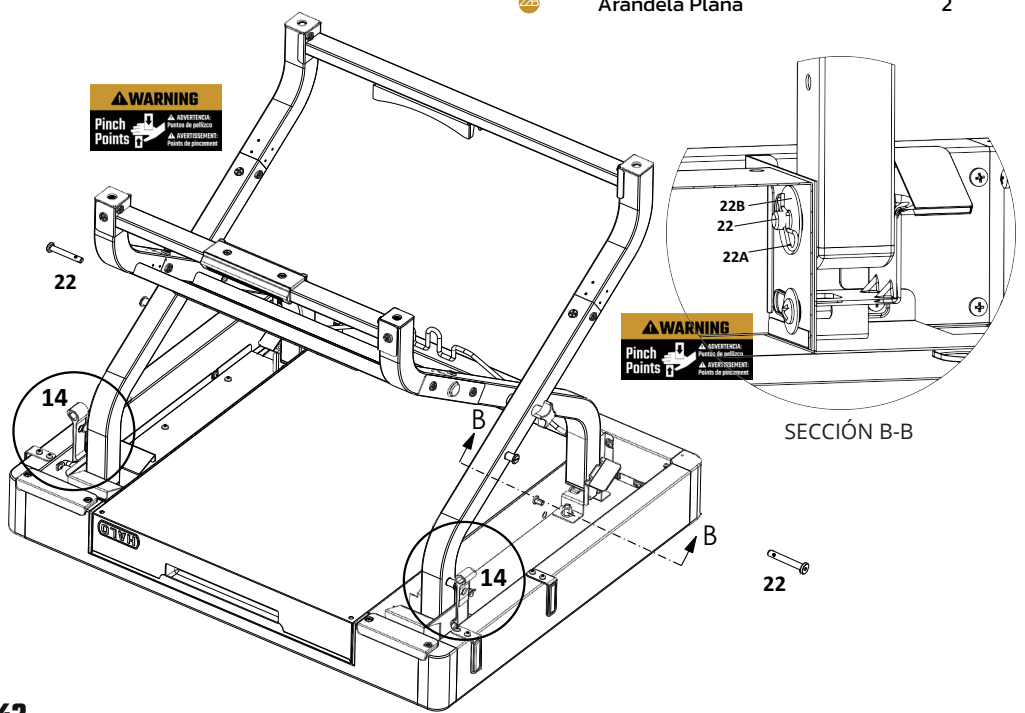
ARTÍCULO	DESCRIPCIÓN DE LA PIEZA	CANTIDAD
1A	Panel de Mesón	1
2	Gancho Magnético para Herramientas	4
18A	Tornillo M4 x 12	8



10

Instale el Carro en el mesón utilizando Pasadores de pivote de 2-8 mm y fije los Pestillos en su Sitio.

ARTÍCULO	DESCRIPCIÓN DE LA PIEZA	CANTIDAD
1	Montaje en Mesón	1
14	Pestillo	2
N/A	Montaje del Carro	1
22	Pasador de Pivote de 8 mm	2
22A	Clavija	2
22B	Arandela Plana	2

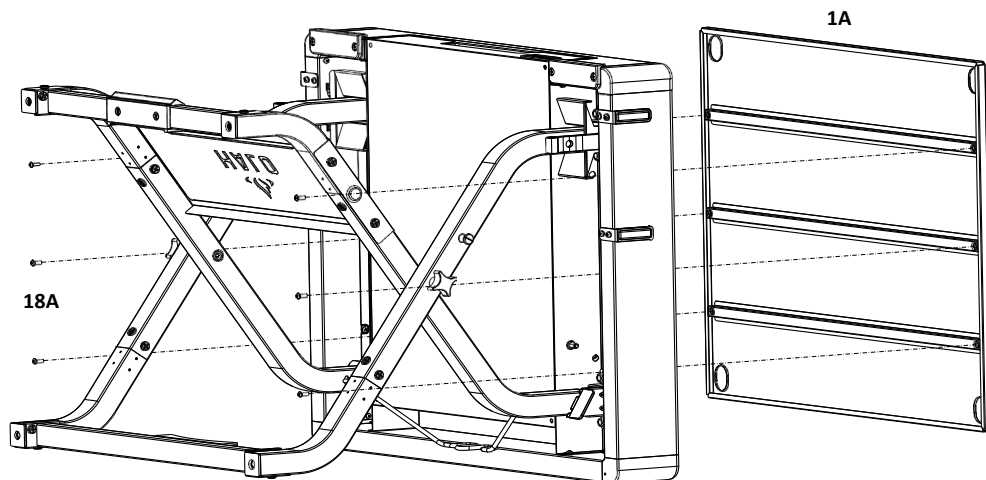


11

Instale el panel de Mesón en el Mesón con tornillos 6-M4 x 12.

NOTA: Asegure firmemente todos los tornillos.

ARTÍCULO	DESCRIPCIÓN DE LA PIEZA	CANTIDAD
1A	Panel de Mesón	1
18A	Tornillo M4 x 12	6



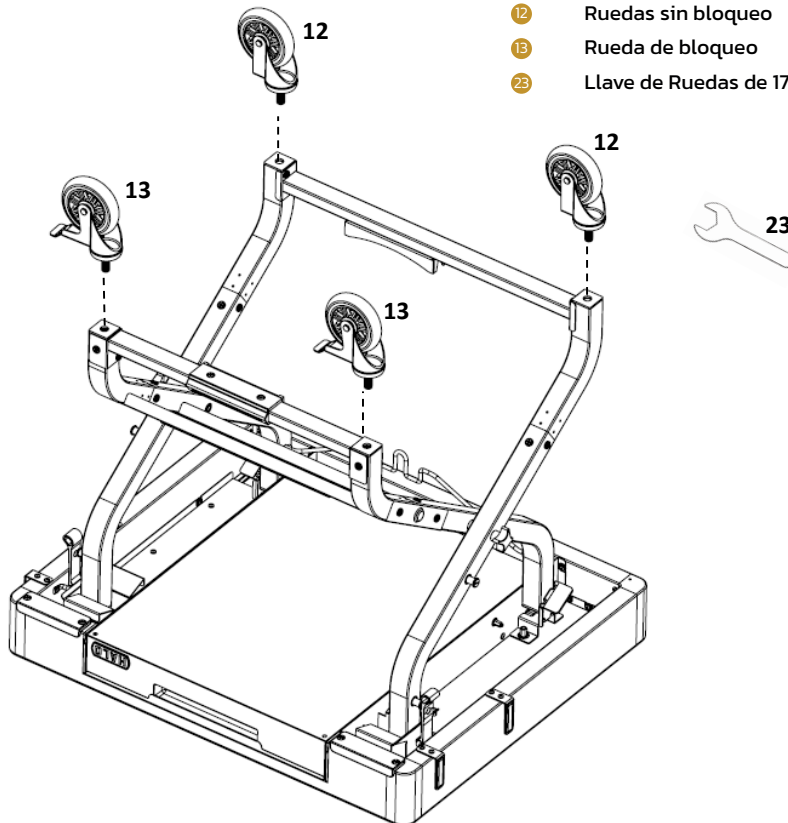
12

Conecte las ruedas con una llave de ruedas de 17 mm. Monte las ruedas de bloqueo en las patas delanteras. Monte las ruedas sin bloqueo en las patas traseras.

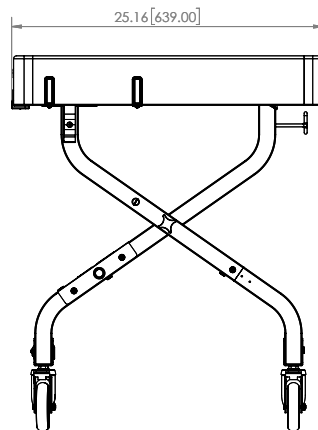
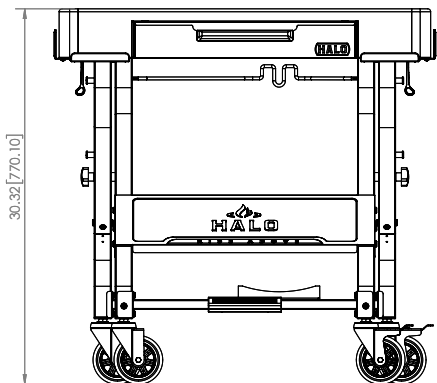
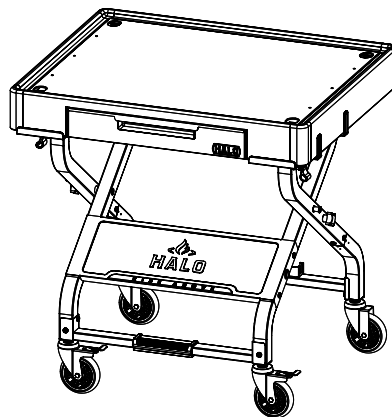
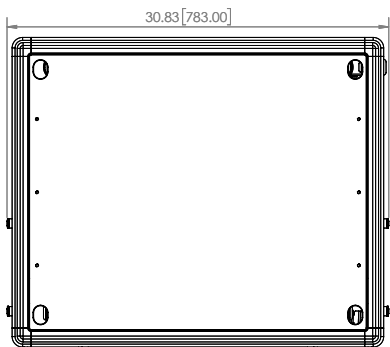
NOTA: Para las ruedas con cerradura, puede bloquear el cater que bloqueará la rueda y le permitirá ensamblar la rueda sin usar la llave giratoria.

ARTÍCULO DESCRIPCIÓN DE LA PIEZA CANTIDAD

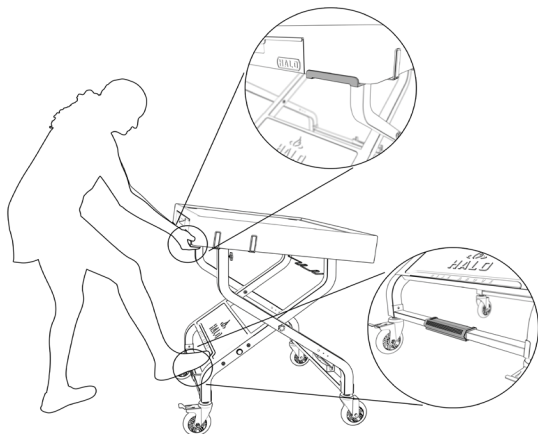
12	Ruedas sin bloqueo	2
13	Rueda de bloqueo	2
23	Llave de Ruedas de 17 mm	1



DIMENSIONES ENSAMBLADAS



CÓMO COLAPSAR EL CARRO DE MESÓN



Siga estos pasos para plegar el **Carro de Mesón Halo**.

1

Libere ¹⁴ los Pestillos en ambos lados del carro.

2

Bloquee las ruedas delanteras.

3

Levante el carro y bájelo lentamente.

⚠ ADVERTENCIA

Por la fuerza de gravedad y el peso del carro se alejará de usted muy rápidamente. Aleje las manos y los pies del punto de pellizco en todo momento.

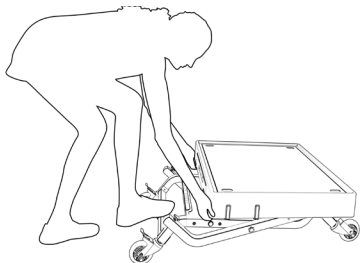
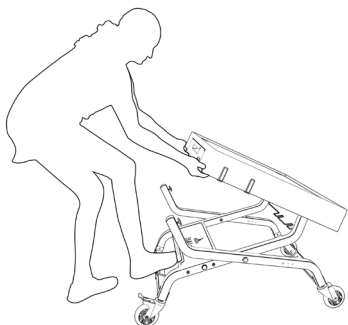
⚠ WARNING

Pinch
Points



⚠ ADVERTENCIA:
Puntos de pellizco

⚠ AVERTISSEMENT:
Points de pincement



4

Cierre ¹⁴ los Pestillos en ambos lados para guardarlos o para llevar el carro a cualquier parte.

GARANTÍA LIMITADA DE CINCO (5) AÑOS

Esta garantía sólo se aplica a las unidades adquiridas en un distribuidor autorizado. El fabricante garantiza únicamente al consumidor-comprador original que este producto estará libre de defectos de mano de obra y materiales después de un montaje correcto y bajo un uso doméstico normal y razonable durante los períodos indicados a continuación a partir de la fecha de compra.

ALCANCE DE LA COBERTURA	PERÍODO DE COBERTURA	TIPO DE COBERTURA DE FALLAS
Pintura Todos los Componentes	1 Año 5 Años	PERFORACIÓN, FABRICACIÓN, Y DEFECTOS MATERIALES ÚNICAMENTE

El fabricante se reserva el derecho de exigir que las piezas defectuosas sean devueltas, con pago previo del envío por parte del consumidor, para su revisión y examinación.

Conserve una copia del comprobante de compra para validar su garantía. Es posible que se le pida que envíe una copia de su recibo para confirmar cualquier solicitud de garantía.

El consumidor-comprador original será responsable de todos los gastos de envío de las piezas sustituidas bajo los términos de esta garantía limitada. Esta garantía limitada es aplicable únicamente en Estados Unidos y Canadá, sólo está disponible para el propietario original del producto y no es transferible. El fabricante requiere una prueba de la fecha de compra. Por lo tanto, debe conservar el comprobante de venta o la factura. El registro de su producto no sustituye a la prueba de compra y el fabricante no es responsable ni está obligado a conservar los registros de prueba de compra. Esta garantía limitada se aplica SÓLO a la funcionalidad del producto y no cubre problemas estéticos como arañazos, abolladuras, corrosiones o decoloración por el calor, limpiadores abrasivos y químicos o cualquier herramienta utilizada en el montaje o instalación del aparato, óxido de la superficie o decoloración de las superficies de acero inoxidable. La pintura no está incluida en la garantía y requerirá retoques. La OXIDACIÓN no se considera un defecto de fabricación o de los materiales.

Esta garantía limitada no le reembolsará el coste de cualquier inconveniente, comida, lesión personal o daño a la propiedad.

ARTÍCULOS QUE EL FABRICANTE NO PAGARÁ

1. Gastos de envío, estándar o prioritario, para la garantía y las piezas de recambio.
2. Llamadas de servicio a domicilio.
3. Reparaciones cuando su producto se utiliza para un uso distinto al normal, doméstico o residencial.
4. Los daños, fallos o dificultades de funcionamiento resultantes de accidentes, alteraciones, manipulación descuidada, mal uso, abuso, incendio, inundación, instalación o mantenimiento inadecuados, instalación no conforme a los códigos eléctricos o de fontanería, o uso de productos no aprobados por el fabricante.
5. Cualquier pérdida de alimentos debida a fallos del producto o a dificultades de funcionamiento.
6. Los costos de las piezas de repuesto o de la mano de obra de reparación de las unidades que se utilizan fuera de los Estados Unidos o Canadá.
7. Recogida y entrega de su producto.
8. Las reparaciones de piezas o sistemas resultantes de modificaciones no autorizadas realizadas en el producto.
9. La retirada y/o reinstalación de su producto.

RENUNCIA A LAS GARANTÍAS IMPLÍCITAS Y LIMITACIÓN DE LOS RECURSOS

La reparación o el reemplazo de las piezas defectuosas es el único recurso que le corresponde según los términos de esta garantía limitada. En caso de que haya problemas de disponibilidad de piezas, el fabricante se reserva el derecho de sustituirlas por otras iguales o similares que sean igualmente funcionales. El fabricante no será responsable de ningún daño consecuente o incidental que surja del incumplimiento de esta garantía limitada o de cualquier garantía implícita aplicable, ni de los fallos o daños resultantes de actos fortuitos, cuidado y mantenimiento inadecuados, incendio por grasa, accidente, alteración, sustitución de piezas por alguien que no sea el fabricante, uso indebido, transporte, uso comercial, abuso, entornos hostiles (inclemencias del clima, actos de la naturaleza, manipulación de animales), instalación inadecuada o instalación que no cumpla con los códigos locales o las instrucciones impresas del fabricante.

5 YEAR
LIMITED
WARRANTY

ESTA GARANTÍA LIMITADA ES LA ÚNICA GARANTÍA EXPRESA OFRECIDA POR EL FABRICANTE. NINGUNA ESPECIFICACIÓN O DESCRIPCIÓN DEL RENDIMIENTO DEL PRODUCTO, DONDEQUIERA QUE APAREZCA, ESTÁ GARANTIZADA POR EL FABRICANTE, EXCEPTO EN LA MEDIDA ESTABLECIDA EN ESTA GARANTÍA LIMITADA. CUALQUIER PROTECCIÓN DE GARANTÍA IMPLÍCITA QUE SURJA BAJO LAS LEYES DE CUALQUIER ESTADO, INCLUYENDO LA GARANTÍA IMPLÍCITA DE COMERCIALIZABILIDAD O IDONEIDAD PARA UN PROPÓSITO O USO PARTICULAR, SE LIMITA POR LA PRESENTE A LA DURACIÓN DE ESTA GARANTÍA LIMITADA.

La responsabilidad máxima del fabricante, en cualquier caso, no superará el precio de compra del producto pagado por el consumidor original. NOTA: Algunos estados no permiten la exclusión o limitación de los daños incidentales o consecuentes, por lo que algunas de las limitaciones o exclusiones anteriores pueden no aplicarse en su caso. Esta garantía limitada le otorga los derechos legales específicos que se establecen en el presente documento. También puede tener otros derechos que varían de un estado a otro. Sólo en el estado de California, si el reacondicionamiento o la sustitución del producto no son comercialmente viables, el minorista que vende este producto o el fabricante reembolsarán el precio de compra pagado por el producto, menos la cantidad directamente atribuible al uso por parte del consumidor-comprador original antes de descubrir la no conformidad. Además, sólo en el estado de California, puede llevar el producto al establecimiento de venta del producto para obtener el cumplimiento de esta garantía limitada. Si desea exigir el cumplimiento de cualquier obligación en virtud de esta garantía limitada, debe escribir a:

Halo Products Group LLC 850 West Park Rd Elizabethtown KY, 42701

No se aceptarán devoluciones de consumidores a menos que se adquiera primero una Autorización de Devolución válida. Las devoluciones autorizadas se marcan claramente en el exterior del paquete con un número RA y el paquete se envía con franqueo pagado. Las devoluciones de los consumidores que no cumplan estas normas serán rechazadas.

SERVICIO AL CLIENTE

Si tiene preguntas sobre su producto, o si necesita piezas de repuesto, póngase en contacto con nosotros:

Llamada gratuita: 1-833-572-1688 o

Visítenos en línea en **www.halo-pg.com**

MANUEL DU PROPRIÉTAIRE

MODÈLE N°: HO-1006-XNA

CONSERVEZ CE MANUEL POUR VOUS Y RÉFÉRER À L'AVENIR

AVERTISSEMENT

LISEZ TOUTES LES INSTRUCTIONS AVANT D'INSTALLER ET D'UTILISER LE CHARIOT DE COMPTOIR.

AVERTISSEMENT

PROPOSITION 65 DE LA CALIFORNIE

Ce produit peut vous exposer à des produits chimiques connus de l'État de Californie pour provoquer des cancers et des anomalies congénitales ou d'autres problèmes de reproduction. Pour plus d'informations, consultez le site www.P65Warnings.ca.gov

WARNING

**Pinch
Points**



 **ADVERTENCIA:**
Puntos de pellizco

 **AVERTISSEMENT:**
Points de pincement

RECHERCHE

**Enregistrement du produit
Guide du propriétaire en ligne
Vidéos d'assemblage**



DOSSIER D'INSTALLATION DU PRODUIT

IMPORTANT: REMPLISSEZ LES INFORMATIONS RELATIVES À L'ENREGISTREMENT DU PRODUIT CIDESSOUS, OU POUR ENREGISTRER VOTRE PRODUIT, VISITEZ NOTRE SITE WEB À l'adresse halopg.com.

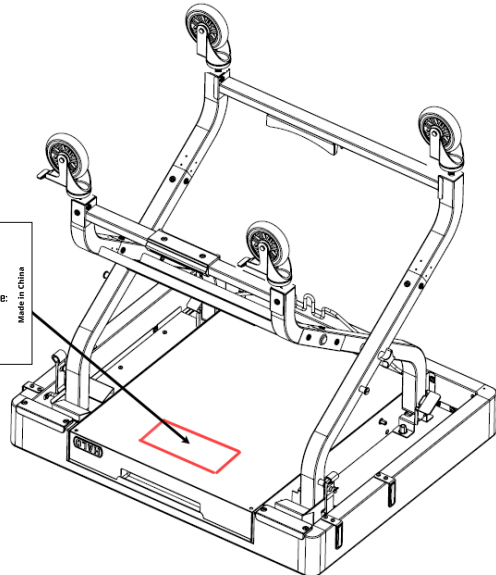


Numéro de modèle: _____

Numéro de série: _____ Date d'achat: _____

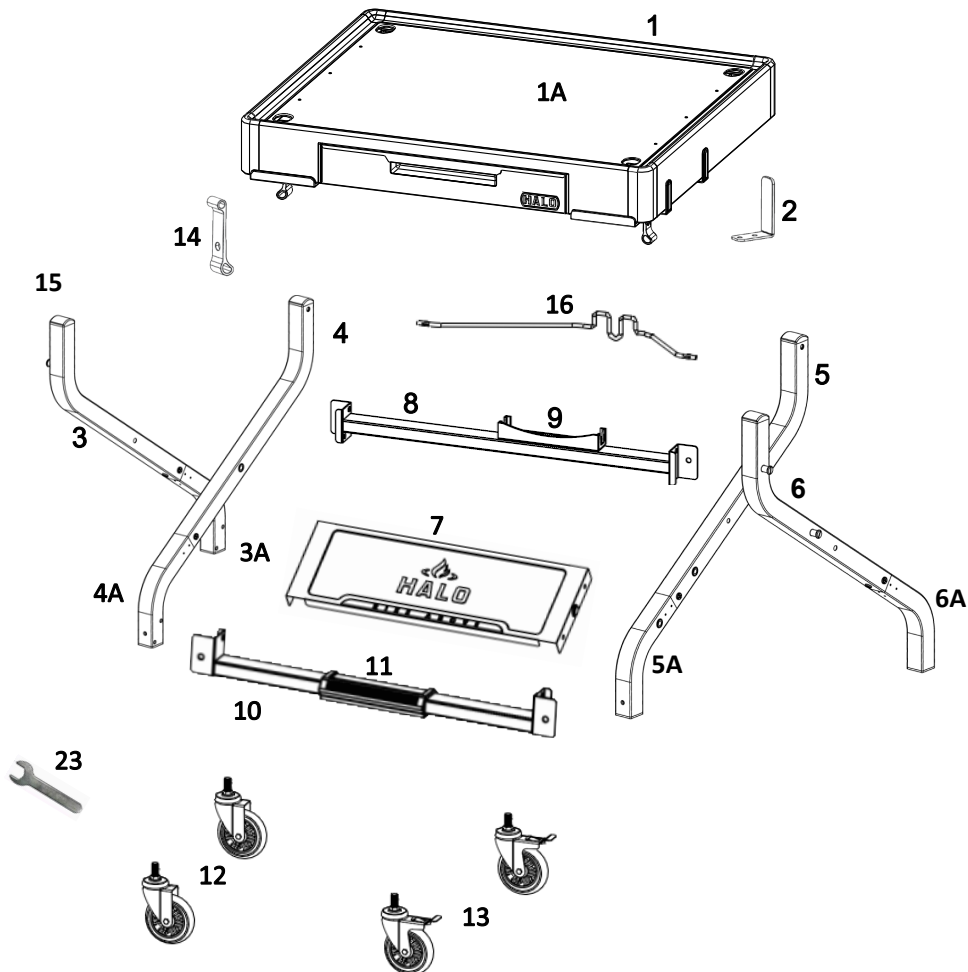
AVIS: Le numéro de modèle et le numéro de série se trouvent sur le fond du tiroir.

 HALO Halo-Products Group LLC 850 West Park Road Bristol/Steven KY 42071	Product Name: <u>COUNTERTOP CART</u> Nombre del producto: <u>Carro de Mesón</u> Nom du produit: <u>Chariot de comptoir</u>
	Model/Modelo/Modèle No: <u>HD-1000-XNA</u> Serial No./Número de serie/Numéro de série: _____
Customer Service: Toll Free (833) 572-1688 Servicio al cliente: Llamada gratuita (833) 572-1688 Service à la clientèle: Sans frais (833) 572-1688	



Made in China

DU CHARIOT DE COMPTOIR



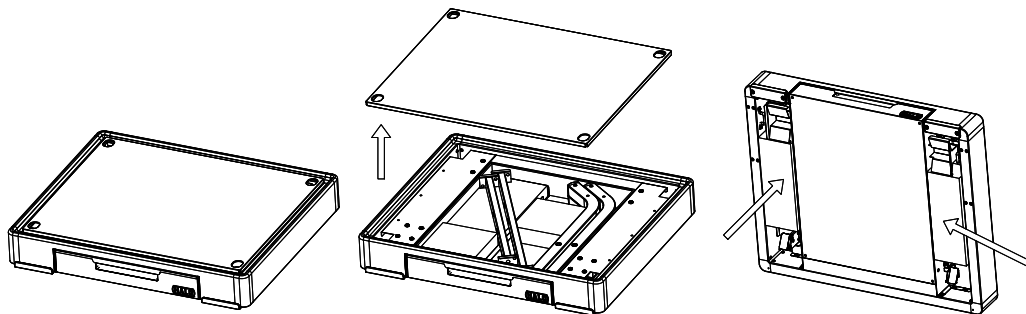
LISTE DES PIÈCES

PIÈCE	DESCRIPTION DES PIÈCES	N° DE PIÈCE	QUANTITÉ
1	Assemblage du comptoir	HO-1006-XNA-1	1
1A	Panneau de comptoir	HO-1006-XNA-1A	1
2	Crochet magnétique pour outils	HO-1006-XNA-2	4
3	Pied extérieur gauche-long	HO-1006-XNA-3	1
3A	Pied extérieur gauche-court	HO-1006-XNA-3A	1
4	Pied intérieur gauche-long	HO-1006-XNA-4	1
4A	Pied intérieur gauche-court	HO-1006-XNA-4A	1
5	Pied intérieur droit-long	HO-1006-XNA-5	1
5A	Pied intérieur droit-court	HO-1006-XNA-5A	1
6	Pied extérieur droit-long	HO-1006-XNA-6	1
6A	Pied extérieur droit-court	HO-1006-XNA-6A	1
7	Panneau frontal avec logo	HO-1006-XNA-7	1
8	Renfort arrière	HO-1006-XNA-8	1
9	Support de réservoir	HO-1006-XNA-9	1
10	Support avant	HO-1006-XNA-10	1
11	Repose-pieds	HO-1006-XNA-11	1
12	Roulette non pivotante	HO-1006-XNA-12	2
13	Roulette avec verrouillage	HO-1006-XNA-13	2
14	Loquet Commun	HZ-1004-03	2
15	Capuchon de pied	HO-1006-XNA-14	4
16	Fil de rétention du réservoir	HO-1006-XNA-15	1
17	Blisters de matériel	HO-1006-XNA-16	1
18	Vis M6 x 14	HO-1006-XNA-17	26
18A	Vis M4 x 12	HO-1006-XNA-17A	14
19	Vis à épaulement M6	HO-1006-XNA-19	4
20	Douille de pied	HO-1006-XNA-20	2
21	Bouton M6 avec tige filetée	HO-1006-XNA-21	2
22	Axe de pivotement de 8 mm	HO-1006-XNA-22	2
22A	Goupille fendue	HO-1006-XNA-23A	2
22E	Rondelle plate	HO-1006-XNA-23B	2
23	Clé à roulette de 17 mm	HO-1006-XNA-23	1

PRÉPARATION DE L'ASSEMBLAGE

Les pièces se trouvent partout dans le carton d'expédition, y compris à l'intérieur du tiroir. Inspectez toutes les pièces et le matériel sous blister après les avoir sortis du carton d'expédition. Jetez tous les matériaux d'emballage à l'intérieur et à l'extérieur du chariot avant de l'assembler, puis examinez et inspectez toutes les pièces en vous référant à la liste des pièces. Si une pièce est manquante ou endommagée, n'essayez pas de l'assembler. Contactez le service clientèle de Halo pour obtenir des pièces.

Service clientèle de Halo:
Lundi-vendredi, 8h-17h
Numéro gratuit: 1-833-572-1688



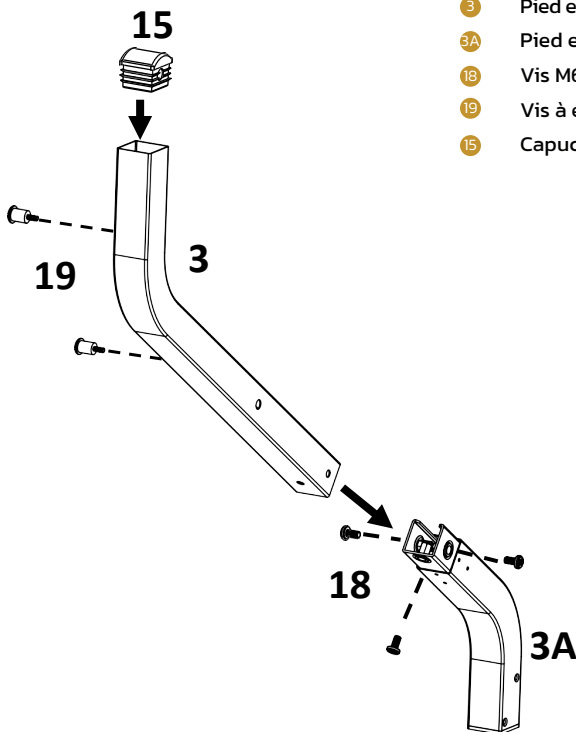
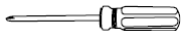
IMPORTANT: Il est conseillé de lire entièrement chaque étape avant de commencer le montage sur les instructions. Ne serrez pas complètement les vis avant que toutes les vis de cette étape aient été installées.

REMARQUE: Le carton d'emballage peut être aplati et utilisé comme tampon de protection pour éviter de rayer la surface peinte pendant le montage.

1

Installez le pied extérieur gauche à l'aide de vis 3-M6 x 14, puis installez le capuchon du pied.

Outil requis pour l'assemblage: Tournevis Phillips #2



PIÈCE	DESCRIPTION DES PIÈCES	QUANTITÉ
3	Pied extérieur gauche-long	1
3A	Pied extérieur gauche-court	1
18	Vis M6 x 14	3
19	Vis à épaulement	2
15	Capuchon de pied	1

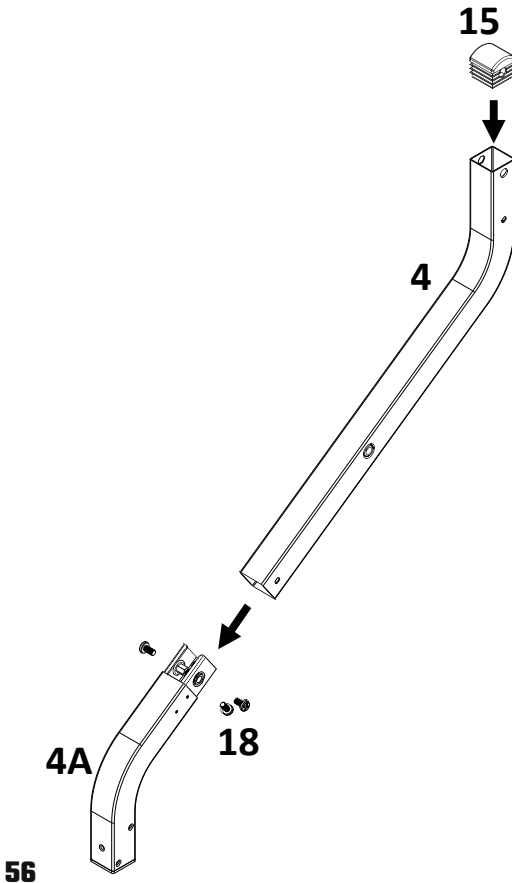
IMPORTANT: Ne serrez pas complètement les vis avant que toutes les vis de cette étape aient été installées.

2

Installez le pied intérieure gauche à l'aide de vis 3-M6 x 14, puis installez le capuchon du pied.

PIÈCE DESCRIPTION DES PIÈCES QUANTITÉ

4	Pied intérieur gauche-long	1
4A	Pied intérieur gauche-court	1
18	Vis M6 x 14	3
15	Capuchon de pied	2

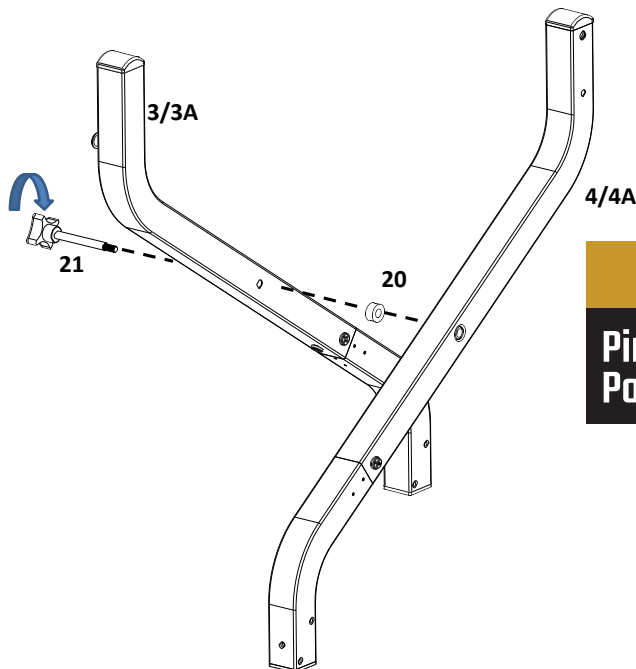


IMPORTANT: Ne serrez pas complètement les vis avant que toutes les vis de cette étape aient été installées.

3

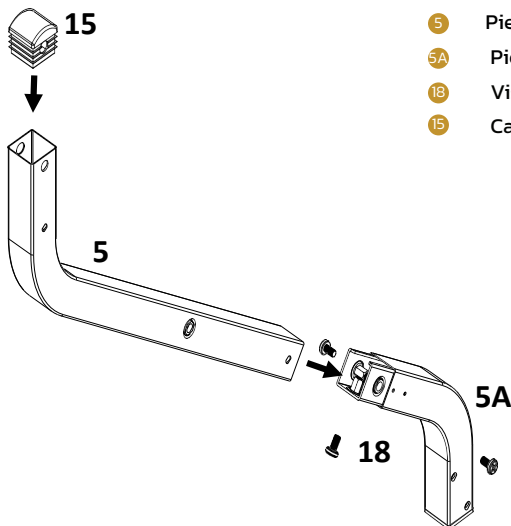
Installez l'ensemble du pied extérieur gauche et l'ensemble du pied intérieur gauche à l'aide de la Bouton M6 avec tige filetée, en plaçant la douille de pied entre les deux. Mettez l'ensemble de côté.

PIÈCE	DESCRIPTION DES PIÈCES	QUANTITÉ
3 3A	Assemblage du pied extérieur gauche	1
4 4A	Assemblage du pied intérieur gauche	1
20	Douille de pied	1
21	Bouton M6 avec tige filetée	1

**⚠ WARNING****Pinch
Points****⚠ ADVERTENCIA:**
Puntos de pellizco**⚠ AVERTISSEMENT:**
Points de pincement

4

Installez l'ensemble du pied intérieur droit à l'aide de vis 3-M6 x 14, installez le capuchon du pied.



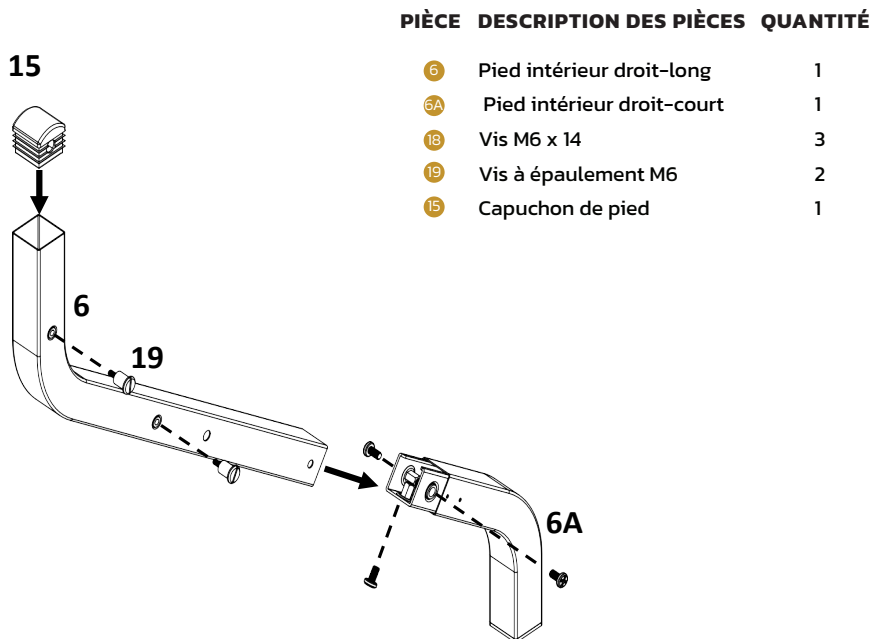
PIÈCE DESCRIPTION DES PIÈCES QUANTITÉ

5	Pied intérieur droit-long	1
5A	Pied intérieur droit-court	1
18	Vis M6 x 14	3
15	Capuchon de pied	1

IMPORTANT: Ne serrez pas complètement les vis avant que toutes les vis de cette étape aient été installées.

5

Installez le pied extérieur droit à l'aide de vis à épaulement 3-M6 x 14 et 2-M6.

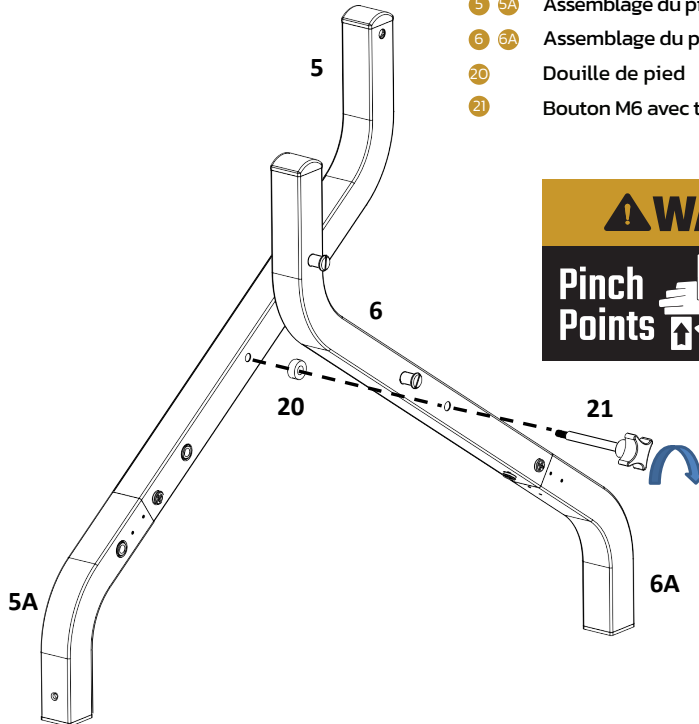


IMPORTANT: Ne serrez pas complètement les vis avant que toutes les vis de cette étape aient été installées.

6

Installez l'assemblage de la jambe intérieure droite et l'ensemble de la jambe extérieure droite en utilisant M6-Knob avec arbre fileté et bague de jambe et attachez fermement.

PIÈCE	DESCRIPTION DES PIÈCES	QUANTITÉ
5 5A	Assemblage du pied intérieur droit	1
6 6A	Assemblage du pied extérieur droit	1
20	Douille de pied	1
21	Bouton M6 avec tige filetée	1



⚠ WARNING

Pinch
Points



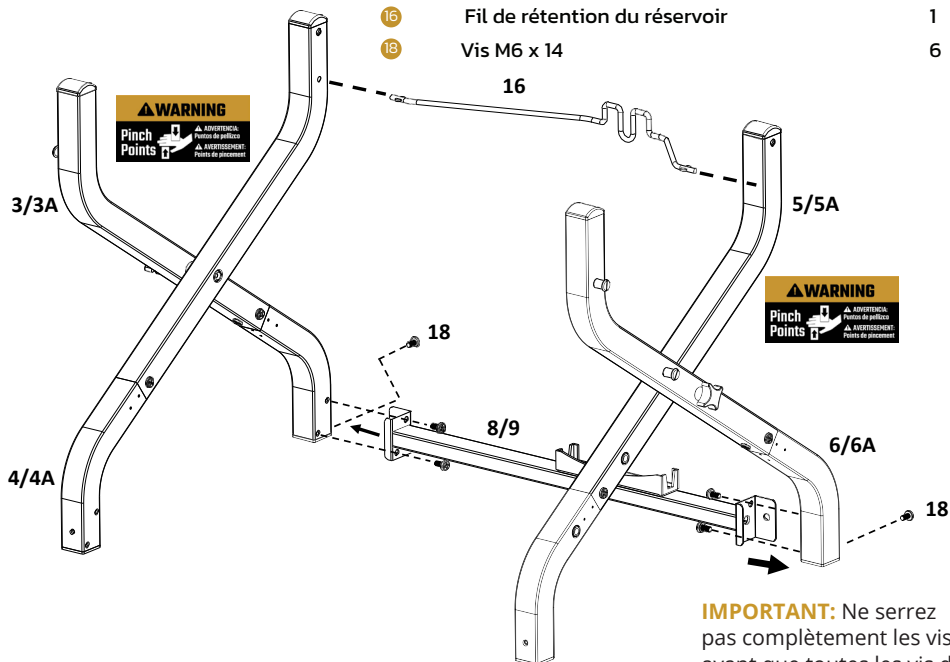
⚠ ADVERTENCIA:
Puntos de pellizco

⚠ AVERTISSEMENT:
Points de pincement

7 Installez le dispositif de retenue du réservoir et le support arrière à l'aide de vis 6-M6 x 14

REMARQUE: Attachez toutes les vis avec une attache à main et attendez l'étape suivante.

PIÈCE	DESCRIPTION DES PIÈCES	QUANTITÉ
3 3A	Assemblage du pied extérieur gauche	1
4 4A	Assemblage du pied intérieur gauche	1
5 5A	Assemblage du pied intérieur droit	1
6 6A	Assemblage du pied extérieur droit	1
8 9	Support arrière, ensemble de support de réservoir	1
16	Fil de rétention du réservoir	1
18	Vis M6 x 14	6



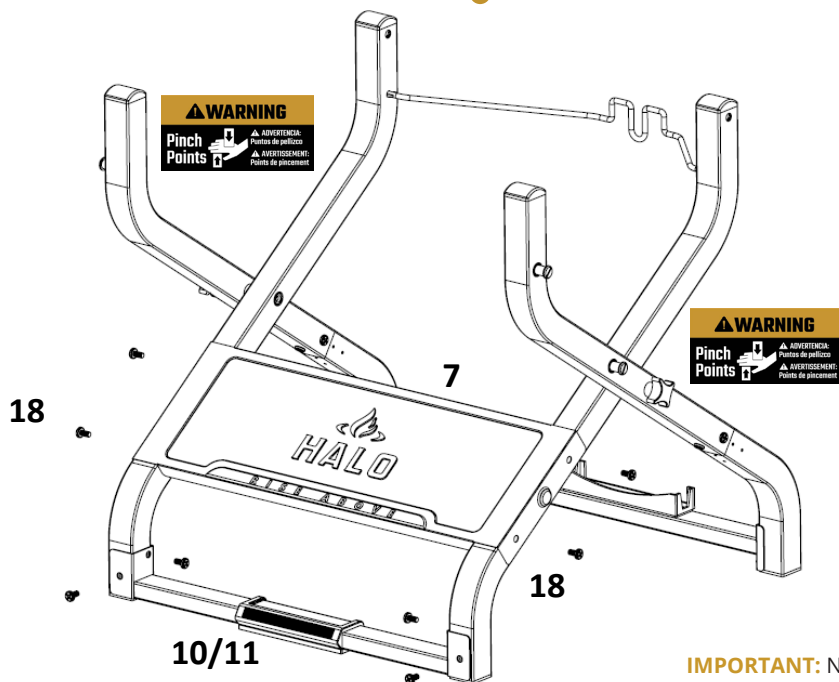
IMPORTANT: Ne serrez pas complètement les vis avant que toutes les vis de cette étape aient été installées.

8

Installez le panneau frontal et le support frontal à l'aide de vis 8-M6 x 14.

REMARQUE: Attachez fermement toutes les vis.

PIÈCE	DESCRIPTION DES PIÈCES	QUANTITÉ
7	Panneau frontal avec logo	1
10 11	Support avant	1
18	Vis M6 x 14	8

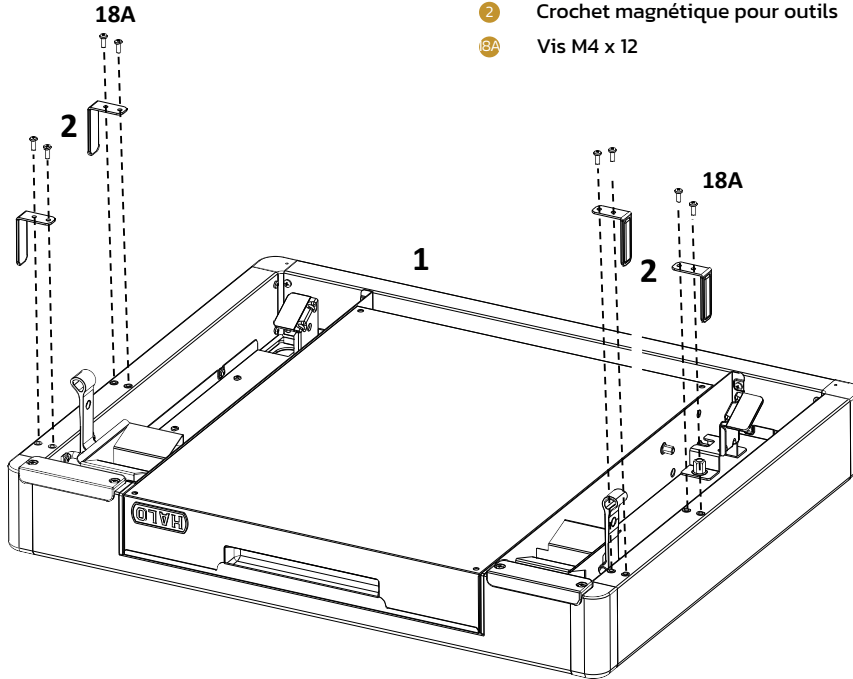


IMPORTANT: Ne serrez pas complètement les vis avant que toutes les vis de cette étape aient été installées.

9

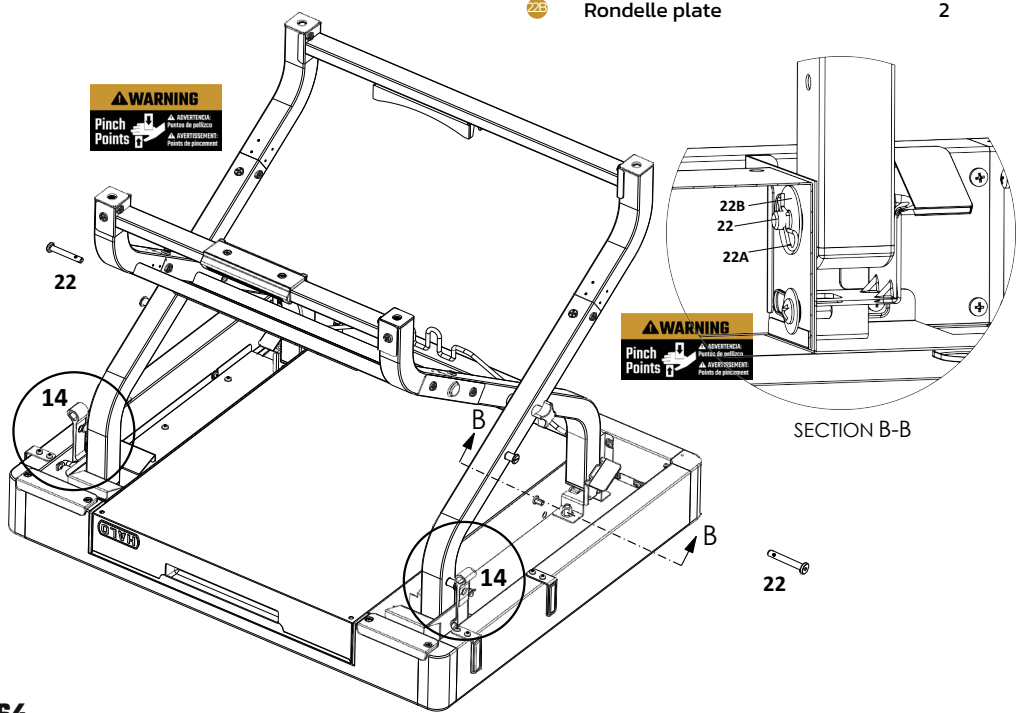
Installez les crochets d'outils magnétiques à l'aide de vis 8-M4 x 12.

PIÈCE	DESCRIPTION DES PIÈCES	QUANTITÉ
1A	Panneau de comptoir	1
2	Crochet magnétique pour outils	4
8A	Vis M4 x 12	8



10 Installez le chariot sur le comptoir à l'aide de goupilles pivotantes de 2 à 8 mm et fixez les loquets en place.

PIÈCE	DESCRIPTION DES PIÈCES	QUANTITÉ
1	Assemblage du comptoir	1
14	Loquet	2
N/A	Assemblage du chariot	1
22	Axe de pivotement de 8 mm	2
22A	Goupille fendue	2
22B	Rondelle plate	2



11

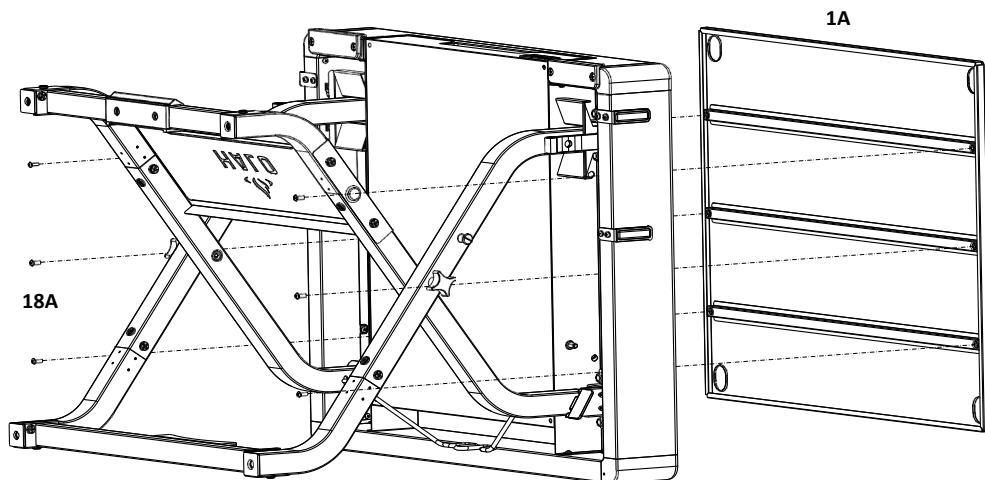
Installez le panneau du comptoir sur le comptoir à l'aide de vis 6-M4 x 12.

REMARQUE: Attachez fermement toutes les vis.

PIÈCE	DESCRIPTION DES PIÈCES	QUANTITÉ
-------	------------------------	----------

1A	Panneau de comptoir	1
----	---------------------	---

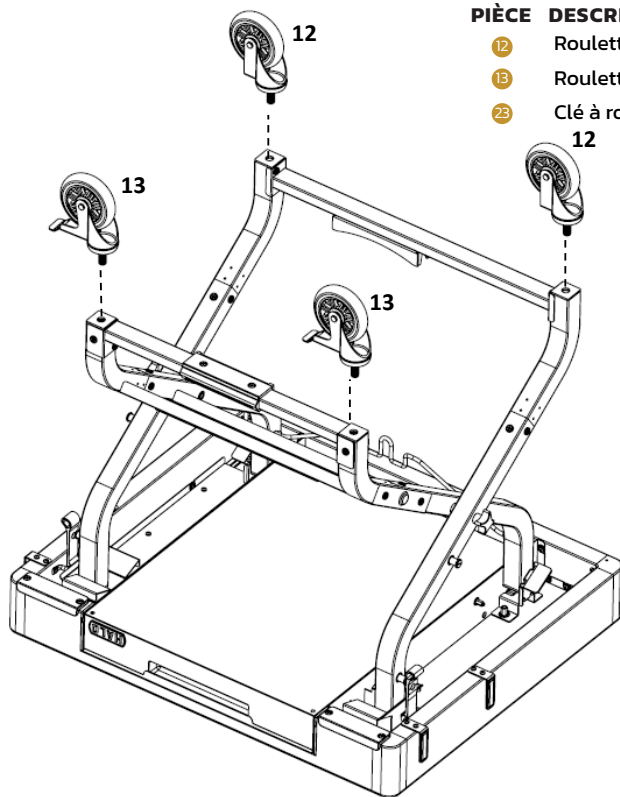
8A	Vis M4 x 12	6
----	-------------	---



12

Connectez les roulettes à l'aide d'une clé à roulette de 17 mm. Montez des roulettes verrouillables sur les pieds avant. Montez des roulettes non verrouillables sur les pieds arrière.

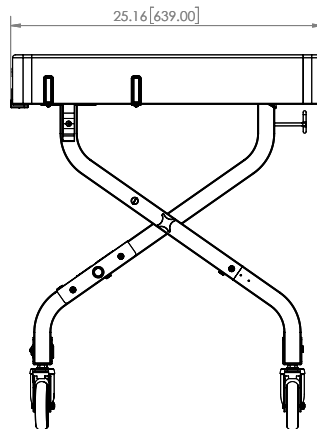
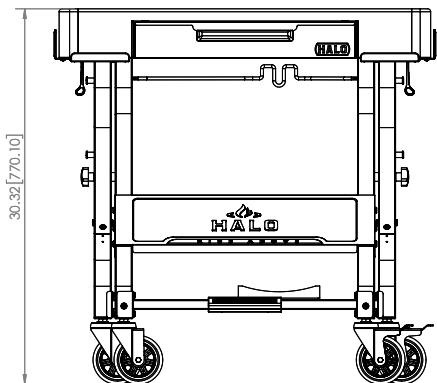
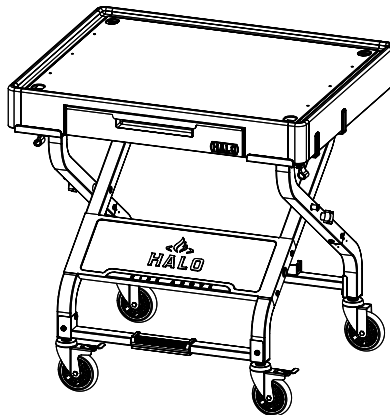
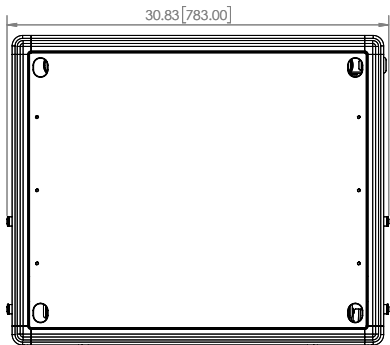
REMARQUE: pour les roulettes avec serrure, vous pouvez verrouiller le traiteur qui verrouillera la roulette et vous permettra d'assembler la roulette sans utiliser de clé à roulettes.



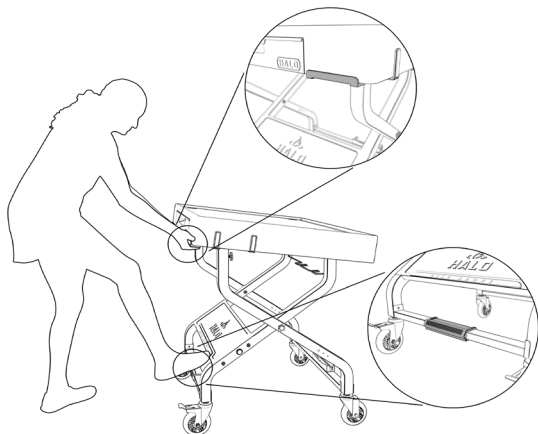
PIÈCE	DESCRIPTION DES PIÈCES	QUANTITÉ
12	Roulette non verrouillable	2
13	Roulette de verrouillage	2
23	Clé à roulette de 17 mm	1



DIMENSIONS DE MONTAGE



COMMENT REPLIER LE CTC



Suivez ces étapes pour plier le **Chariot de Comptoir Halo**.

1

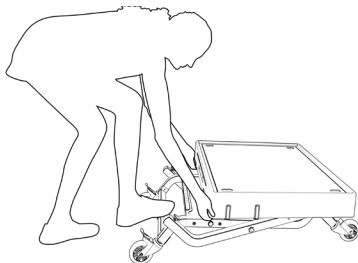
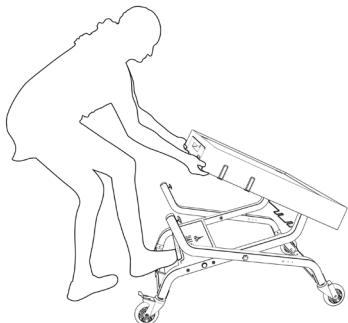
Libérez ¹⁴ les loquets des deux côtés du chariot.

2

Verrouillez les roulettes avant.

3

Soulevez le chariot et descendez-le lentement.



⚠ AVERTISSEMENT

Le poids du chariot s'éloigne très rapidement de vous. Éloignez à tout moment les mains et les pieds du point de pincement.

⚠ WARNING

**Pinch
Points**



⚠ ADVERTENCIA:
Puntos de pellizco

⚠ AVERTISSEMENT:
Points de pincement

4

Fermez ¹⁴ les loquets des deux côtés pour le rangement ou pour emmener votre chariot en déplacement.

GARANTIE LIMITÉE DE CINQ (5) ANS

Cette garantie ne s'applique qu'aux appareils achetés chez un détaillant agréé. Le fabricant garantit à l'acheteur original que ce produit est exempt de défauts de fabrication et de matériaux après un assemblage correct et dans le cadre d'une utilisation domestique normale et raisonnable pendant les périodes indiquées ci-dessous, à compter de la date d'achat.

ÉTENDUE DE LA COUVERTURE	PÉRIODE DE COUVERTURE	TYPE DE COUVERTURE DES DÉFAILLANCES
Peinture Tous les composants	1 An 5 Ans	PERFORATION, FABRICATION, ET DÉFAUTS MATÉRIELS UNIQUEMENT

Le fabricant se réserve le droit d'exiger que les pièces défectueuses soient renvoyées, port et/ou fret prépayés par le consommateur pour examen et vérification.

Veuillez conserver une copie de votre preuve d'achat pour valider votre garantie. Il peut vous être demandé d'envoyer une copie de votre reçu pour confirmer toute demande de garantie.

Le consommateur-acheteur d'origine sera responsable de tous les frais d'expédition des pièces remplacées dans le cadre de cette garantie limitée. Cette garantie limitée ne s'applique qu'aux États-Unis et au Canada, n'est valable que pour le propriétaire initial du produit et n'est pas transférable. Le fabricant exige une preuve de votre date d'achat. Vous devez donc conserver votre ticket de caisse ou votre facture. L'enregistrement de votre produit ne remplace pas la preuve d'achat et le fabricant n'est pas responsable ni tenu de conserver les preuves d'achat. Cette garantie limitée s'applique UNIQUEMENT à la fonctionnalité du produit et ne couvre pas les problèmes esthétiques tels que les rayures, les bosses, les corrosions ou les décolorations dues à la chaleur, ux nettoyants abrasifs et chimiques ou à tout outil utilisé pour l'assemblage ou l'installation de l'appareil, la rouille de surface ou la décoloration des surfaces en acier inoxydable. La peinture n'est pas garantie et devra être retouchée. La ROUILLE n'est pas considérée comme un défaut de fabrication ou de matériel.

Cette garantie limitée ne vous remboursera pas le coût des inconforts, des aliments, des blessures corporelles ou des dommages matériels.

ARTICLES POUR LESQUELS LE FABRICANT NE PAIERA PAS

1. Frais d'expédition, standard ou accéléré, pour la garantie et les pièces de rechange.
2. Appels de service à votre domicile.
3. Les réparations lorsque votre produit est utilisé à des fins autres que l'usage normal, domestique ou résidentiel d'une seule famille.
4. Les dommages, les défaillances ou les difficultés de fonctionnement résultant d'un accident, d'une modification, d'une manipulation négligente, d'une mauvaise utilisation, d'un incendie, d'une inondation, d'une installation ou d'un entretien inadéquat, d'une installation non conforme aux codes de l'électricité ou de la plomberie ou de l'utilisation de produits non approuvés par le fabricant.
5. Toute perte de nourriture due à des défaillances du produit ou à des difficultés de fonctionnement.
6. Le coût des pièces de rechange ou de la main-d'œuvre de réparation pour les appareils utilisés en dehors des États-Unis ou du Canada.
7. Enlèvement et livraison de votre produit.
8. Les réparations de pièces ou de systèmes résultant de modifications non autorisées apportées au produit.
9. Le retrait et/ou la réinstallation de votre produit.

EXCLUSION DE GARANTIE IMPLICITE ET LIMITATION DES RECOURS

La réparation ou le remplacement des pièces défectueuses est votre seul recours selon les termes de cette garantie limitée. En cas de problèmes de disponibilité des pièces, le fabricant se réserve le droit de substituer des pièces similaires ou de même fonction. Le fabricant ne peut être tenu responsable de tout dommage indirect ou accessoire découlant de la violation de la présente garantie limitée ou de toute garantie implicite applicable, ou de toute défaillance ou tout dommage résultant d'une catastrophe naturelle, d'un entretien inadéquat, d'un incendie de graisse, d'un accident, d'une modification, du remplacement de pièces par une personne autre que le fabricant, d'une mauvaise utilisation, du transport, d'une utilisation commerciale, d'un abus, d'un environnement hostile (intempéries, catastrophes naturelles, altération par des animaux), d'une installation inadéquate ou non conforme aux codes locaux ou aux instructions imprimées du fabricant.

5 YEAR
LIMITED
WARRANTY

CETTE GARANTIE LIMITÉE EST LA SEULE GARANTIE EXPRESSE DONNÉE PAR LE FABRICANT. AUCUNE SPÉCIFICATION OU DESCRIPTION DES PERFORMANCES DU PRODUIT, OÙ QU'ELLE APPARAISSE, N'EST GARANTIE PAR LE FABRICANT, SAUF DANS LA MESURE PRÉVUE PAR LA PRÉSENTE GARANTIE LIMITÉE. TOUTE PROTECTION DE GARANTIE IMPLICITE DÉCOULANT DES LOIS DE TOUT ÉTAT, Y COMPRIS LA GARANTIE IMPLICITE DE QUALITÉ MARCHANDE OU D'ADÉQUATION À UN USAGE PARTICULIER, EST LIMITÉE PAR LA PRÉSENTE À LA DURÉE DE LA PRÉSENTE GARANTIE LIMITÉE.

La responsabilité maximale du fabricant, dans tous les cas, ne dépassera pas le prix d'achat du produit payé par le consommateur initial. REMARQUE: Certains États n'autorisent pas l'exclusion ou la limitation des dommages accessoires ou indirects, de sorte que certaines des limitations ou exclusions ci-dessus peuvent ne pas s'appliquer à votre cas. Cette garantie limitée vous donne des droits légaux spécifiques tels qu'énoncés dans le présent document. Vous pouvez également disposer d'autres droits qui varient d'un État à l'autre. Dans l'État de Californie uniquement, si la remise en état ou le remplacement du produit n'est pas commercialement réalisable, le détaillant qui vend ce produit ou le fabricant remboursera le prix d'achat payé pour le produit, moins le montant directement attribuable à l'utilisation par le consommateur-acheteur initial avant la découverte de la nonconformité. En outre, dans l'État de Californie uniquement, vous pouvez apporter le produit à l'établissement de vente au détail qui vend ce produit afin d'obtenir des performances dans le cadre de cette garantie limitée. Si vous souhaitez obtenir l'exécution d'une quelconque obligation au titre de la présente garantie limitée, vous devez écrire à l'adresse suivante:

Halo Products Group LLC 850 West Park Rd Elizabethtown KY, 42701

Les retours de consommateurs ne seront pas acceptés à moins qu'une autorisation de retour valide ne soit obtenue au préalable. Les retours autorisés sont clairement marqués à l'extérieur du colis avec un numéro RA et le colis est expédié en port payé. Les retours des consommateurs qui ne respectent pas ces normes seront refusés.

SERVICE À LA CLIENTÈLE

Pour toute question concernant votre produit, ou si vous avez besoin de pièces de rechange, contactez-nous à l'adresse suivante:





Sans frais: 1-833-572-1688 ou

Visitez-nous en ligne à l'adresse **www.halo-pg.com**

STAY CONNECTED WITH US!



SCAN TO REGISTER
YOUR PRODUCT

-  HALO Products Group
-  @haloproductsgroup
-  @haloproductsgroup
-  Halo Products Group

© 2022 Halo Products Group LLC

Halo and the Halo flame are registered trademarks of Halo Products Group LLC



HALO

RISE ABOVE

www.halo-pg.com

Halo Products Group LLC

850 West Park Rd

Elizabethtown KY 42701

Toll free: 1-833-572-1688