

# PHILIPS

## Home Access

Smart deadbolt  
Serrure intelligente  
Cerradura inteligente

4200 series  
Séries 4200  
Serie 4200

EN	<b>User Manual</b>	<b>02</b>
FR	<b>Mode d'Emploi</b>	<b>27</b>
ES	<b>Manual del usuario</b>	<b>52</b>



[www.philips.com/support](http://www.philips.com/support)



# Contents

EN

---

**Introduction** **02**

---

**1 Warnings & Safety** **02**

Safety  
Caution  
Returns & Disposal

---

**2 How to Install** **03**

Parts List  
Assembly View  
Install the Lock  
Remove the Batteries

---

**3 How to Setup** **13**

Download the Philips Home Access App  
Create a User Account  
Add the Device

---

**4 How to Use** **14**

Feature Definitions  
Factory Reset & Default Settings  
Credential Type and Maximum Capacity  
Program the Lock  
Lock & Unlock

---

**5 Troubleshooting** **22**

---

---

**6 Warranty** **24**

---

**7 FCC Statement** **25**

---

**8 ISED Statement** **25**

---

# Introduction

Congratulations on your purchase and welcome to Philips Smart Security family!

To fully benefit from the support that Philips Home Access offers, register your product at [www.philips.com/myphilips](http://www.philips.com/myphilips)



## Register your product

- Keep track of your product warranty coverage
- Qualify for cash-back, gifts and special offers
- Get easy access to product support

## 1 Warnings & Safety

### Safety

- ◆ Before using this product, please read and understand all instructions. Damage caused by failure to follow the instructions is not covered by the warranty.
- ◆ Only use components the manufacturer provided and suggested accessories.
- ◆ Only use AA alkaline batteries.
- ◆ Do not forcibly disassemble the product to trigger an alarm or damage the product.
- ◆ Do not scrape the fingerprint sensor with sharp objects as this may cause permanent damage.
- ◆ Do not remove the batteries during lock setup and operation.
- ◆ Change the default master PIN code immediately via the Philips Home Access app after completing the installation.

### Caution

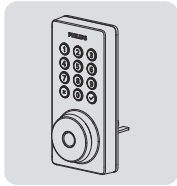
- ◆ Do not place the batteries near fire sources.
- ◆ Do not connect the 2 poles of the batteries to metals to avoid a short circuit and potential explosion.
- ◆ Any replacement component should be performed by Philips, a Philips-authorized service center, or a professional technician.
- ◆ Do not use parts or accessories manufactured by others, except batteries.
- ◆ Do not expose products to places that have water leakage or splashing.

### Returns & Disposal

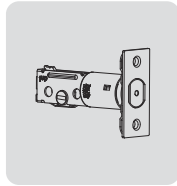
- ◆ Locks can be returned at an authorized Philips service center. Appropriate compensation will be provided if the returned product meets Philips's conditions.
- ◆ Please follow local regulations and do not throw the used products or batteries into normal household waste.

# 2 How to Install

## Parts List



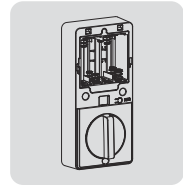
① Exterior Assembly



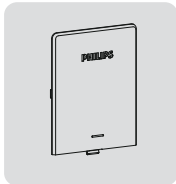
② Latch Bolt



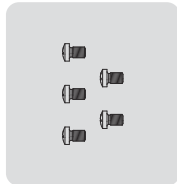
③ Mounting Plate



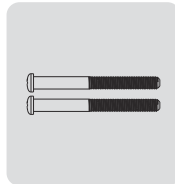
④ Interior Assembly



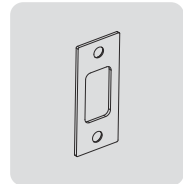
⑤ Battery Cover



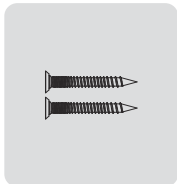
⑥ Interior Assembly Screws (5) (2 Spare)



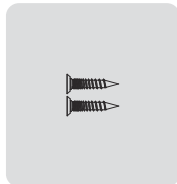
⑦ Mounting Plate Screws (2)



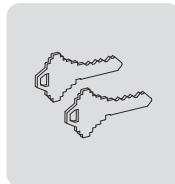
⑧ Strike Plate



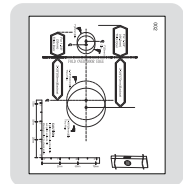
⑨ Strike Plate Screws (2)



⑩ Latch Bolt Screws (2)



⑪ Mechanical Keys



⑫ Drilling Template



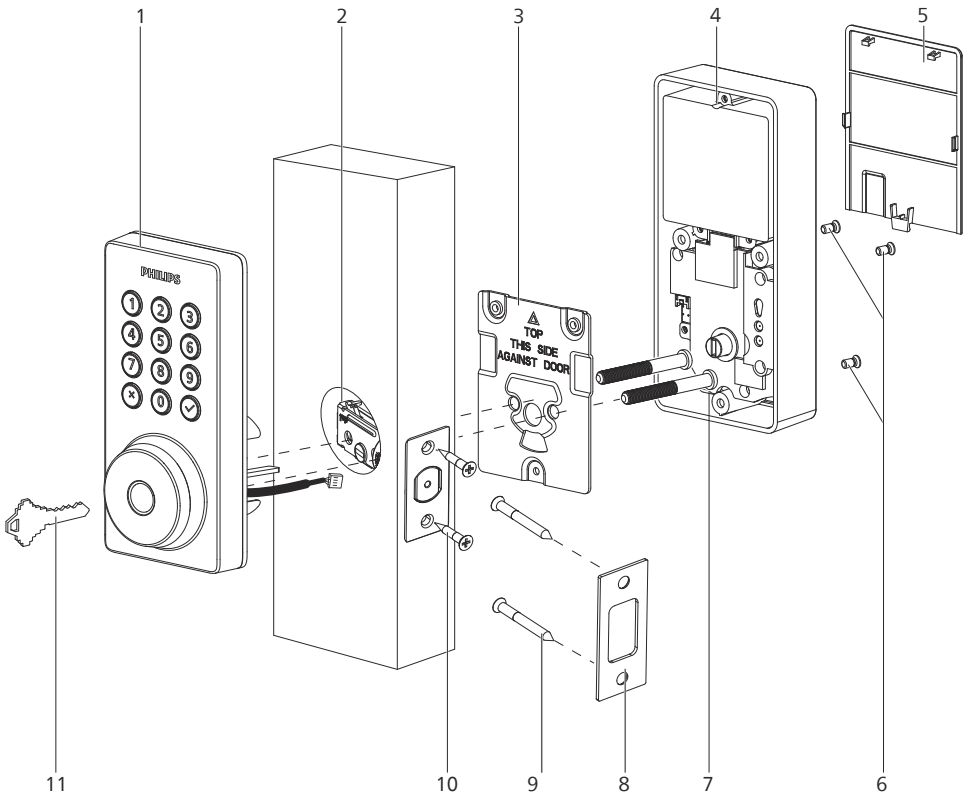
⑬ User Manual



⑭ Quick Start Guide

\*8 AA alkaline batteries are required and need to be purchased separately.

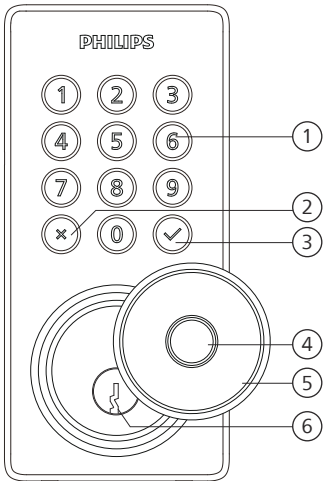
# Assembly View



1. Exterior Assembly
2. Latch Bolt
3. Mounting Plate
4. Interior Assembly
5. Battery Cover
6. Interior Assembly Screws (3)

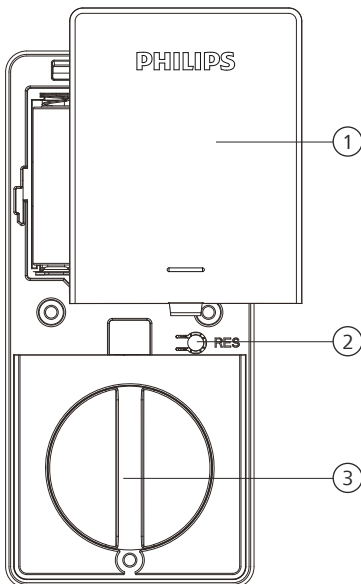
7. Mounting Plate Screws (2)
8. Strike Plate
9. Strike Plate Screws (2)
10. Latch Bolt Screws (2)
11. Mechanical Keys (2)

## Exterior Assembly



1	Keypad
2	Cancel Key
3	Confirm Key with Backlit Indicator
4	Fingerprint Sensor
5	Keyhole Cover
6	Keyhole

## Interior Assembly



1	Battery Cover
2	Reset Button
3	Thumb Turn

# Install the Lock

## Required Tools



#2 Phillips Screwdriver

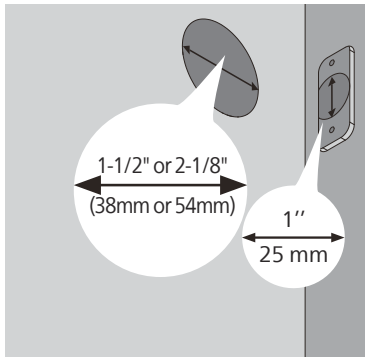


8 AA alkaline batteries (purchased separately)

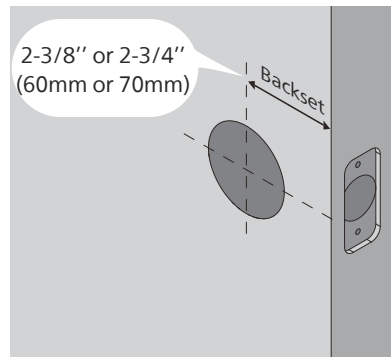
## Prepare the Door and Check the Dimensions

- 1 Measure to confirm that the hole in the door is 1-1/2" or 2-1/8" (38mm or 54mm).

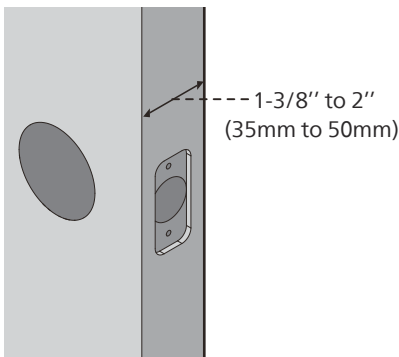
Measure to confirm that the hole in the door edge is 1" (25mm).



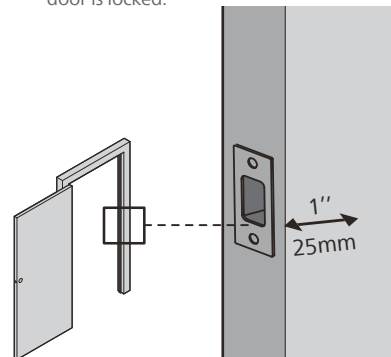
- 2 Measure to confirm that the backset is either 2-3/8" or 2-3/4" (60mm or 70mm).



- 3 Measure to confirm that the door is 1-3/8" to 2" (35mm to 50mm) thick.



- 4 Make sure the hole in the door frame is drilled a minimum of 1" (25mm) deep to leave enough space for the deadbolt to extend into the door frame when the door is locked.

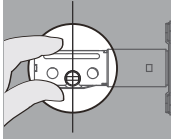
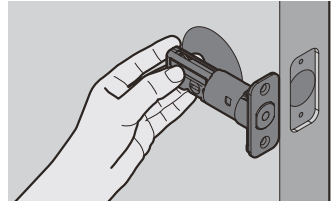


### ⚠ Attention

Make sure the door frame is aligned with the door and there are no obstructions in the door frame.

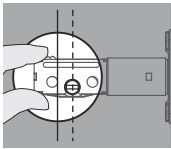
5 Determine the backset and adjust the Latch Bolt.

Hold the Latch Bolt in front of the door hole, with the Latch Bolt face flush against the door edge. Is the slotted hole centered in the door hole?



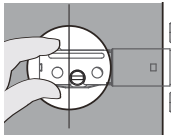
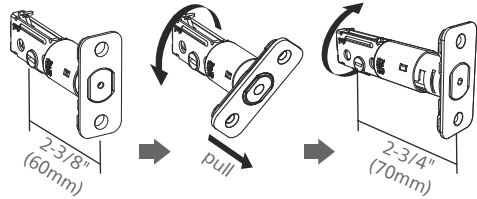
**YES**

No adjustment is required.  
Proceed to the next step.



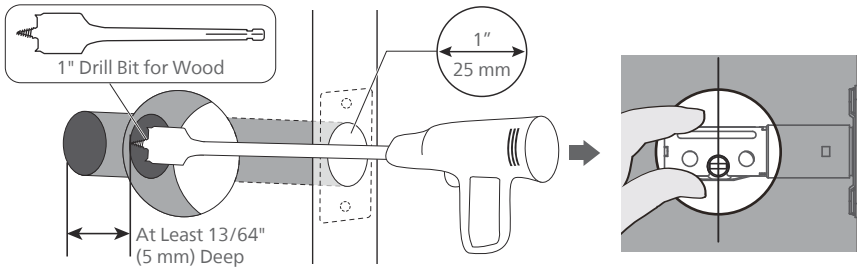
**NO**

The slotted hole is NOT centered.  
Rotate and pull the Latch Bolt as shown to extend it.

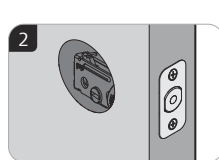
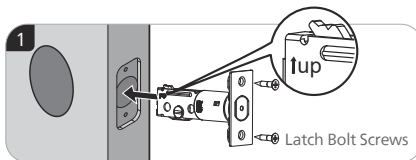


**NO**

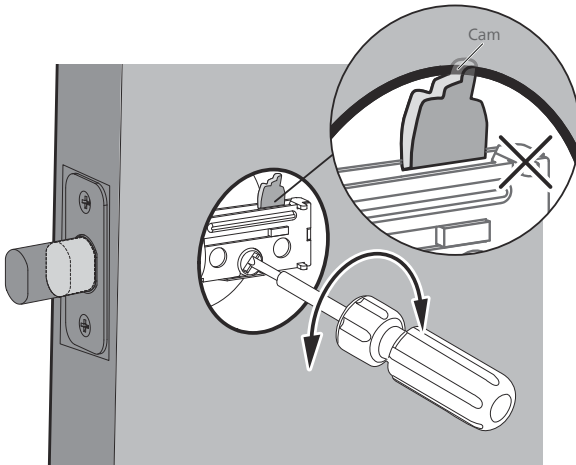
For a 1-1/2" (38 mm) bore hole, use a 1" (25 mm) Drill Bit to extend the latch hole at least 13/64" (5 mm) deep.  
No need to extend the latch hole for a 2-1/8" (54 mm) bore hole.  
After extending the latch hole, insert the Latch Bolt again to ensure it fits correctly.



6 Install the Latch Bolt.

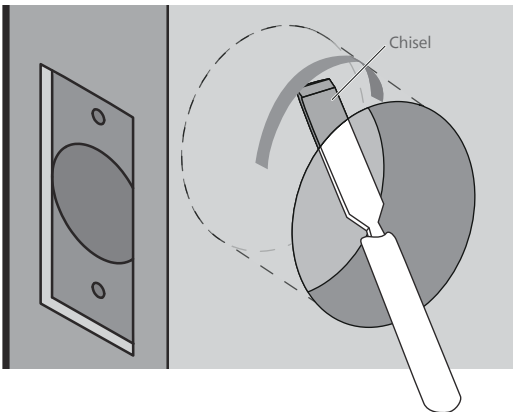


- ⑦ Install the Latch Bolt and rotate it with a screwdriver to confirm smooth rotation.

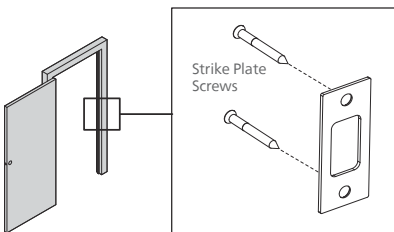


If it cannot rotate smoothly because the door hole is too small.

Remove the Latch Bolt and chisel out a small channel at the top of the hole to give the cam of the Latch Bolt room to rotate.



- ⑧ Install the Strike Plate on the door frame.



**⚠ Attention**

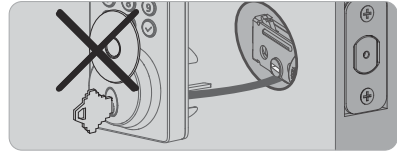
Make sure the hole in door frame is drilled a minimum of 1" (25mm) deep.

## Install the Exterior Assembly

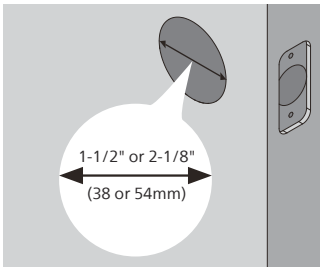
### ⚠ Attention

Before installing the Exterior and Interior Assembly, make sure the Latch Bolt is fully retracted (in the unlocked position).

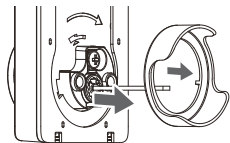
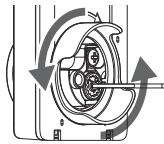
Do not insert the key when you are installing.



Measure the diameter of the hole in the door.



**1-1/2" (38mm)**

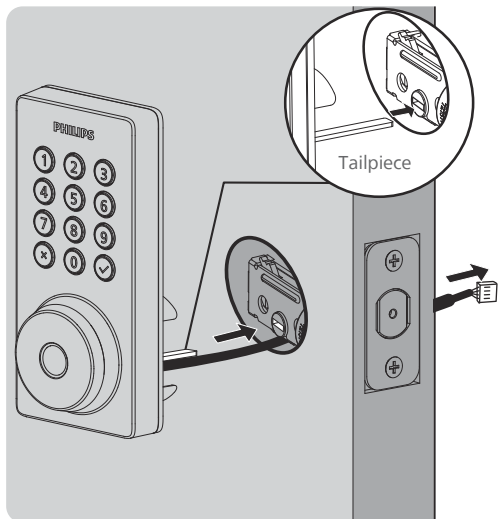


Remove the spacer

**2-1/8" (54mm)**

Proceed to next step

- 9 With the Latch Bolt fully retracted (in the unlocked position), route the cable beneath the Latch Bolt, and insert the tailpiece in the Latch Bolt.

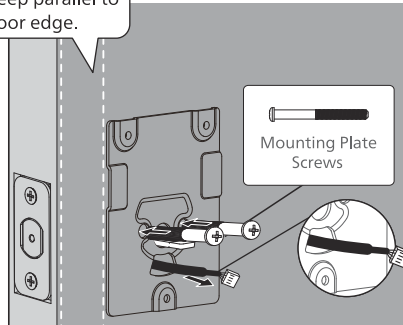


- ⑩ Secure the Mounting Plate with the Mounting Plate Screws. Do not overtighten screws.

**⚠ Attention**

Route the cable through the hole in the mounting plate.

Keep parallel to door edge.



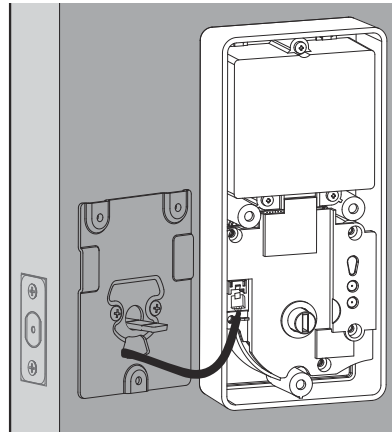
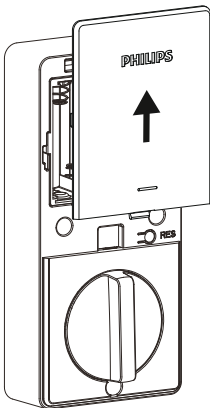
## Install the Interior Assembly

- ⑪ Push the Battery Cover up in the direction as illustrated.

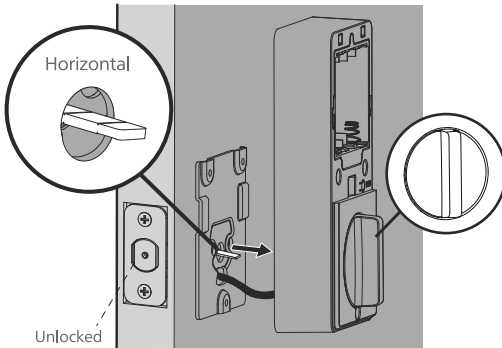
**⚠ Attention**

Do not load batteries before finishing the lock installation.

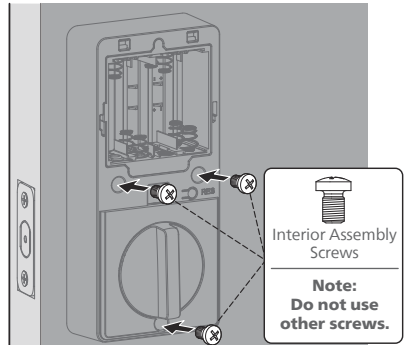
- ⑫ Insert the cable connector of the Exterior Assembly to the socket on the Interior Assembly. Push the connector in firmly until it is completely attached.



- 13 Keep the Thumb Turn in the vertical position and the tailpiece horizontal, then install the Interior Assembly.

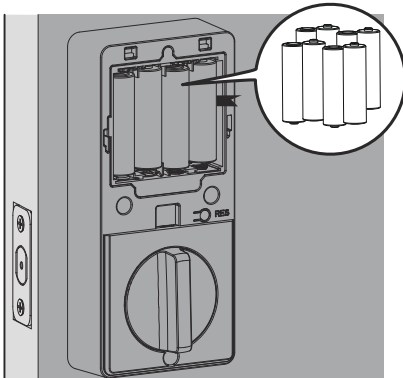


- 14 Attach the interior assembly to the mounting plate and secure it with 3 interior assembly screws.



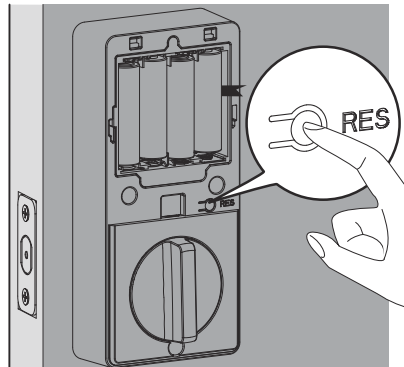
- 15 Install the AA alkaline batteries according to the direction guide inside the battery holder.

8 AA alkaline batteries are required and need to be purchased separately.



- 16 Keep the door open and unlocked. Press and hold the Reset Button for 5 seconds.

Keep holding the Reset Button until you hear a long beep and the latch bolt extends automatically.



**⚠ Attention**

Ensure the cable is not pinched or the lock will not function properly.

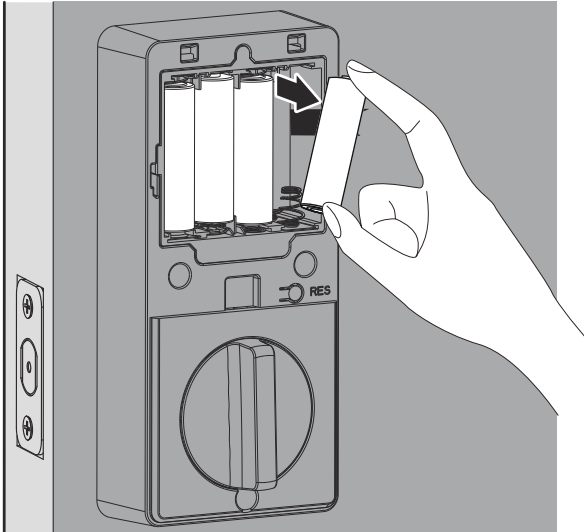
## Need help?



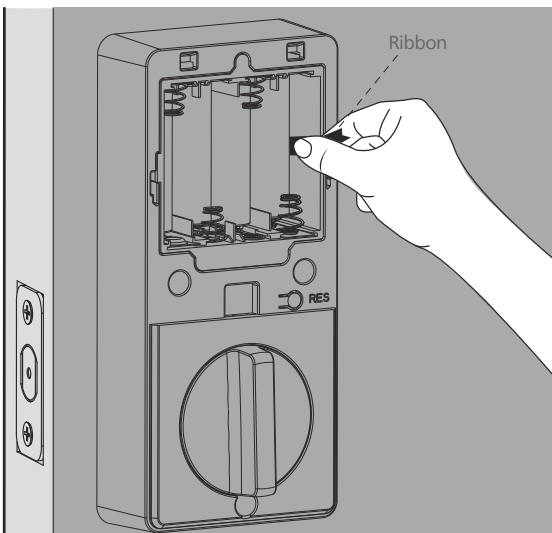
U.S.A. & Canada: +1(833)599-9111

# Remove the Batteries

- ① Remove the 4 outer batteries from right to left.

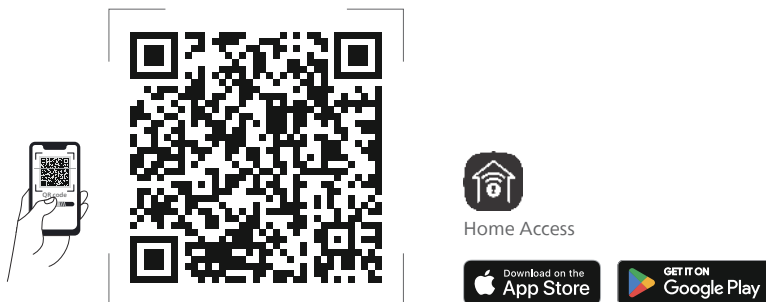


- ② Pull the ribbon to remove the 4 inner batteries from right to left.



# 3 How to Setup

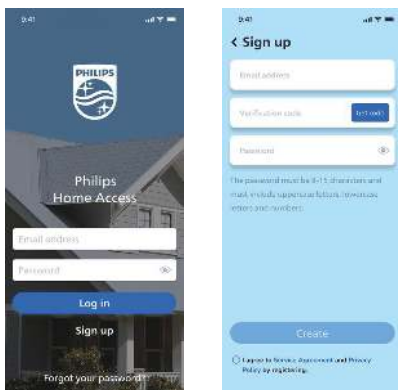
## Download the Philips Home Access App



Scan the QR Code to download the Philips Home Access app.

## Create a User Account

Register and log in to the Philips Home Access app.

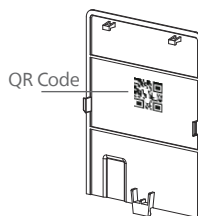


## Add the Device

Bring your phone close to the lock, enable Location and Bluetooth permissions, then scan the QR code on the back of the battery cover to add the device.

### Attention

If the device is not found, please ensure that the app permissions for Location and Bluetooth are enabled for pairing.



If the Wi-Fi connection fails, please follow these tips:

- Check if the Wi-Fi connection is stable.
- Ensure the network is 2.4GHz, as the lock only supports 2.4GHz. If your router is dual-band (2.4GHz/5GHz), turn off the 5GHz band.
- Keep the router and lock within 65ft (20m). Avoid walls and interference sources like microwaves.
- Too many devices connected to Wi-Fi may affect the lock's connection.
- Ensure the lock's firmware and app are up-to-date. If an update is available, please upgrade promptly.

# 4 How to Use

---

## Feature Definitions

### Attention

Feature settings can be adjusted if needed through the Philips Home Access app.

### Master PIN Code

---

Required for programming and adjusting settings. The Master PIN Code can be used to unlock the deadbolt in Away Mode and Privacy Mode. The default Master PIN Code (12345678) must be changed immediately via the Philips Home Access app after completing the installation. The owner/manager should keep this information confidential.

### 4 Ways to Unlock

---

Unlock with your fingerprint, PIN codes, keys, or a simple touch via the Philips Home Access app. Fingerprints and PIN codes can be added through the app settings (fingerprint enrollment should be done on the lock).

### Simple Sharing

---

Follow the in-app instructions in the Phillips Home Access app to share access with your family or friends. The access can only be shared and accepted via the Phillips Home Access app.

### Lock Activities Record

---

Offers a detailed record of all lock interactions and activities like lock/unlock events and user access.

### Multi-mode PIN codes

---

Create multi-mode PIN codes remotely via the Philips Home Access app for different needs like inviting guests or ordering a service technician.

### One-Touch Locking

---

Lock the door by simply pressing and holding any key on the keypad for 2s.

Lock the door by simply pressing "✓" 1 time without entering any code.

Lock the door by Fingerprint when the device is unlocked.

### Auto-Lock

---

The device will automatically lock after it has been unlocked. This feature is disabled by default. It can be set between 10 and 180 seconds via the Philips Home Access app.

### Silent Mode

---

The sounds can be muted when pressing the keypad. However, you will still hear low battery warnings and system alerts. Enable it in the Philips Home Access app.

## Away Mode

This is a safety feature when you leave your house for a vacation or long trip. Away Mode restricts all User PIN Codes and Fingerprints until the Master PIN Code is entered on the keypad. When the lock is unlocked by the Thumb Turn, it will sound an alarm for 1 minute and send a notification via the Philips Home Access app.

Enable it in the Philips Home Access app.

By entering the Master PIN Code on the keypad or setting it on the Philips Home Access app, you can disable the alarm and the Away Mode.

## Factory Reset & Default Settings

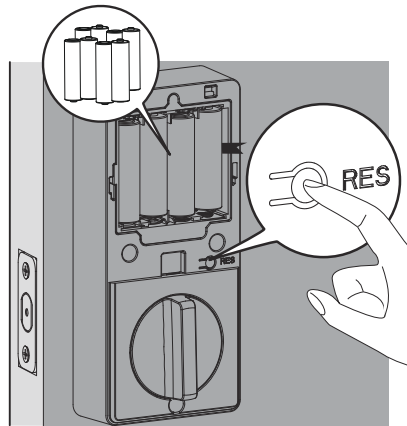
This procedure erases all user and network settings and unpairs the lock from users' accounts.

All paired accessories will also be removed. Restoring the lock will also activate the lock-handing process.

Keep the door open and unlocked.

Press and hold the Reset Button for 5 seconds.

Keep holding the Reset Button until you hear a long beep and the latch bolt extends automatically.



Function	Default Setting
Master PIN Code	12345678
Auto-Lock	Disabled
Silent Mode	Disabled
Shut Down Time	3 minutes
Away Mode	Disabled

## **Credential Type and Maximum Capacity**

1. Master PIN Code (4 to 10 digits): The default Master PIN Code is 12345678. Change the default Master PIN Code before programming other codes.
2. User PIN Code (4 to 10 digits): A total of 100 User PIN Codes can be programmed and stored in the lock.
3. User Fingerprint: 20 fingerprints can be programmed and stored in the lock.

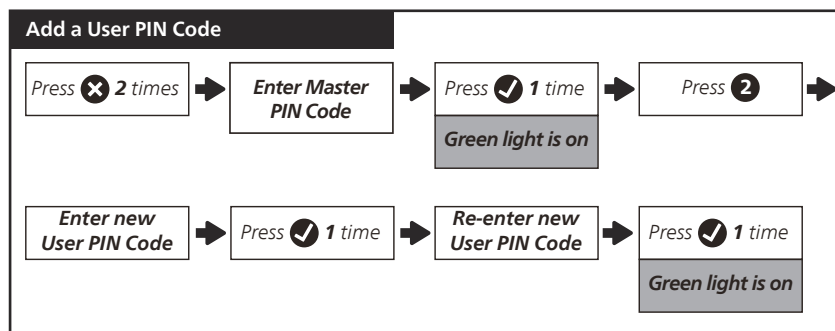
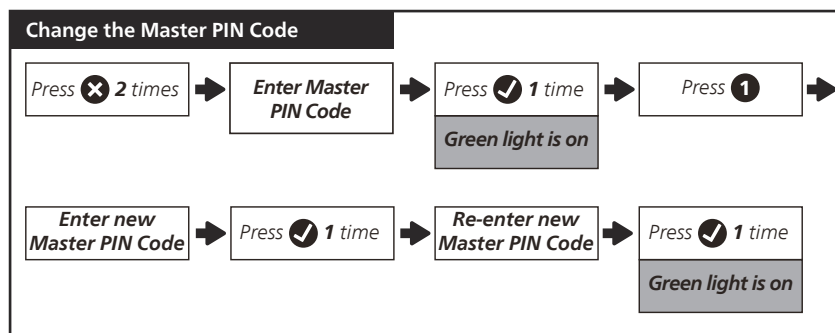
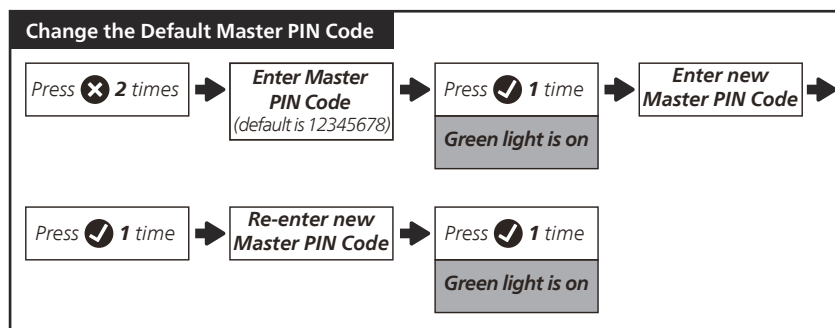
## Program the Lock

### ⚠ Attention

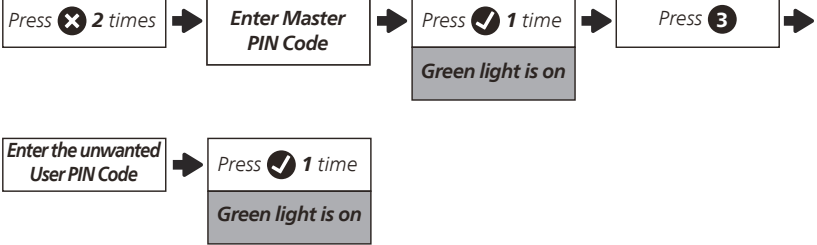
The default Master PIN Code is 12345678. Change the default Master PIN Code before programming the lock. The indicator light will flash red when the code entered is not saved successfully.

If no key is pressed for more than 10 seconds, the lock will exit programming mode.

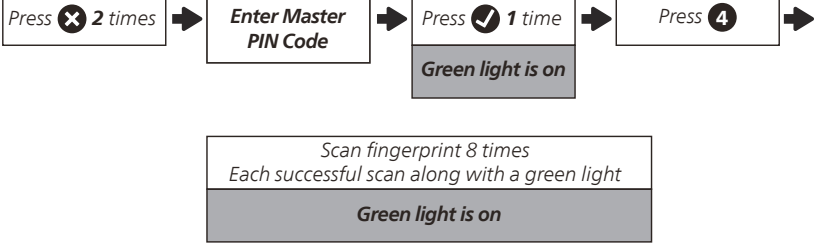
All settings can be easily managed through the Philips Home Access app, with configuration recommended there.



### Delete the User PIN Code



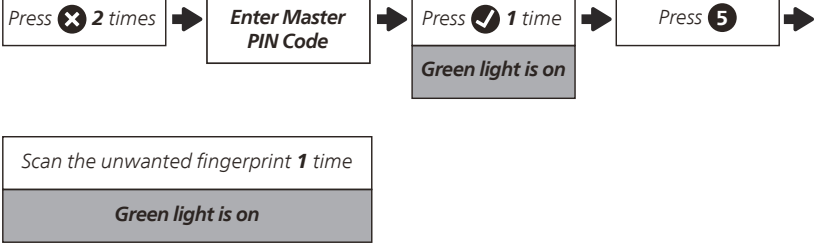
### Add a User Fingerprint

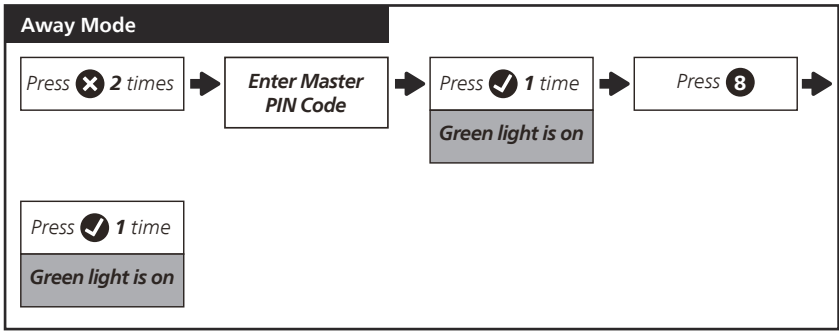
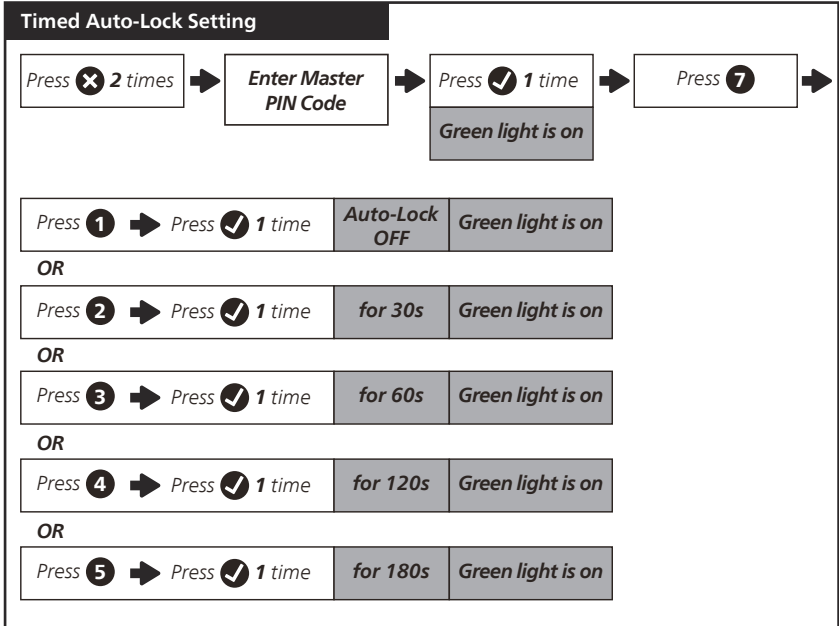


#### ⚠ Attention

To improve recognition, register your finger from different angles during the 8-time scanning.

### Delete the User Fingerprint

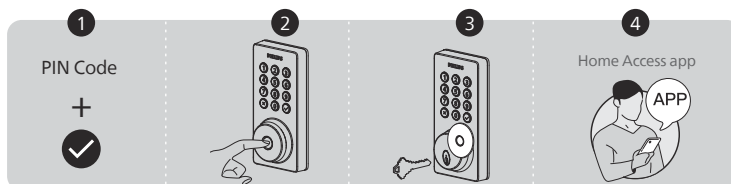




## Lock & Unlock

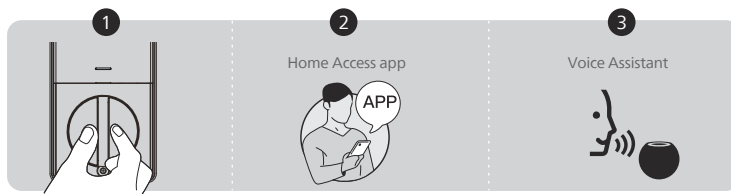
### Unlocking the Door from Outside

1. Unlock by PIN codes.
2. Unlock by Fingerprint.
3. Unlock by Mechanical Key.
4. Unlock by the Philips Home Access app.



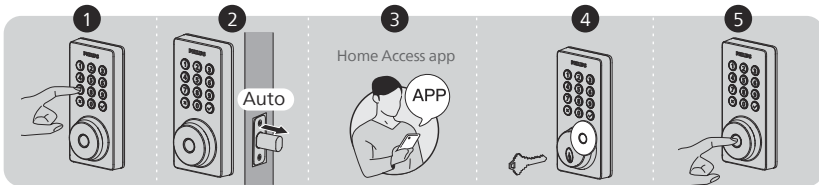
### Unlocking the Door from Inside

1. Rotate the Thumb Turn to the unlocked position.
2. Unlock by the Philips Home Access app.
3. Unlock by the Voice Assistant.



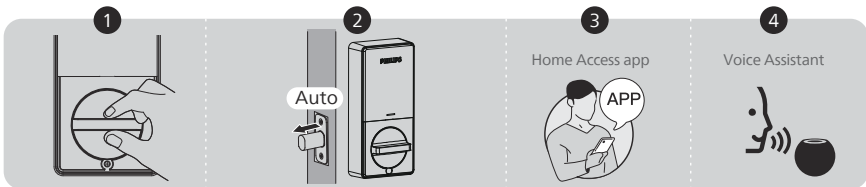
## Locking the Door from Outside

1. Press and hold any button on the keypad for at least 2 seconds to lock the door in Manual Mode Or lock by pressing "✓" 1 time without entering any code.
2. In Auto-Lock mode, the device is locked automatically.
3. Lock by the Philips Home Access app.
4. Lock by Mechanical Key.
5. Lock by Fingerprint.



## Locking the Door from Inside

1. Rotate the Thumb Turn to the locked position to lock the device in Manual Mode.
2. In Auto-Lock Mode, the device is locked automatically.
3. Lock by the Philips Home Access app.
4. Lock by the Voice Assistant.



# 5 Troubleshooting

Issue	Solution
The Latch Bolt does not operate correctly after installation.	<ul style="list-style-type: none"> <li>◆ Make sure the backset on the Latch Bolt is set to the proper length. Refer to page 8.</li> <li>◆ Make sure before installation the Latch Bolt is retracted. Refer to page 9.</li> <li>◆ Restore to the factory default setting and enter the default Master PIN Code to set up the lock. Refer to page 15.</li> </ul>
After installation, the Latch Bolt makes sounds but does not work.	<p><b>Ensure you have followed the installation instructions. Re-install and reset the lock by paying attention to the following tips:</b></p> <ul style="list-style-type: none"> <li>◆ Before installing the Exterior and Interior Assembly, make sure the Latch Bolt is fully retracted (in the unlocked position).</li> <li>◆ Do not insert the key when you are installing.</li> <li>◆ Ensure you have inserted the cable connector of the Exterior Assembly to the socket on the Interior Assembly correctly.</li> <li>◆ Keep the Exterior and Interior Assembly aligned and parallel to the door edge, and the Latch Bolt parallel to the door edge.</li> <li>◆ Press and hold the Reset Button for at least 5 seconds until you hear a beep.</li> <li>◆ Use 8 new AA dry batteries, do not use rechargeable batteries, or new batteries mixed with old batteries.</li> </ul>
The door handing is not activated after the batteries are installed.	<ul style="list-style-type: none"> <li>◆ Press the Reset Button for at least 5 seconds until you hear the tone prompting you to restore the default settings.</li> </ul>
The lock turns in the wrong direction.	<ul style="list-style-type: none"> <li>◆ Press and hold the Reset Button for at least 5 seconds until you hear a beep to activate the lock-handing process.</li> <li>◆ If resetting fails to solve it, the lock is probably not installed correctly. Please re-install the lock and reset it again.</li> </ul>
Cannot pull out the key from the Keyhole.	<ul style="list-style-type: none"> <li>◆ Disassemble the lock, then rotate to pull out the key and re-install the lock.</li> <li>◆ Do not insert the key when you are installing.</li> </ul>
The lock rotates only if the Key is inserted.	<ul style="list-style-type: none"> <li>◆ Make sure the Latch Bolt is installed correctly. Refer to page 8-9.</li> </ul>
The lock does not smoothly lock or unlock while using the Thumb Turn.	<ul style="list-style-type: none"> <li>◆ Confirm the Mounting Screws are properly installed.</li> </ul>

Issue	Solution
<p>The lock only locks but does not unlock, or the Latch Bolt goes in and out uncontrollably.</p>	<ul style="list-style-type: none"> <li>◆ If the door locks and unlocks smoothly in the open position, then there is a problem with the door frame. Make sure the hole in the door frame is drilled a minimum of 1"(25mm) deep to leave enough space for the deadbolt to extend into the door frame when the door is locked.</li> <li>◆ If the issue still happens in the open position, then there is a problem with the lock handing or installation. Press and hold the Reset Button for at least 5 seconds until you hear a beep to reset the lock. If resetting fails to solve it, the lock is probably not installed correctly. Please re-install the lock and reset it again.</li> <li>◆ If the solutions still cannot solve the problem, contact us.</li> </ul>
<p>Failed to lock.</p>	<ul style="list-style-type: none"> <li>◆ Keep the Exterior and Interior Assembly aligned and parallel to the door edge.</li> <li>◆ Keep the Latch Bolt parallel to the door edge.</li> </ul>
<p>The Master PIN Code cannot be changed.</p>	<ul style="list-style-type: none"> <li>◆ Change the Master PIN Code via the Philips Home Access app.</li> <li>◆ Restore factory settings and reprogram all user PIN codes. Refer to page 15.</li> </ul>
<p>Failed to scan the QR Code on the device.</p>	<ul style="list-style-type: none"> <li>◆ Scan the QR Code in a well-lit environment, use the built-in flashlight on your phone, or try to scan in an environment with sufficient lighting.</li> <li>◆ Ensure enough distance between your smartphone and the QR Code, and ensure the QR Code is at the center of your phone screen.</li> <li>◆ Direct lighting or sunlight can cause reflections that will interfere with the scanning process.</li> </ul>
<p>Failed to add the device via Bluetooth.</p>	<ul style="list-style-type: none"> <li>◆ Make sure your smart lock has enough power, and your phone is close to it.</li> <li>◆ Check your phone's Bluetooth settings and ensure it's turned on.</li> <li>◆ If you have an Android device, enable the Location Service.</li> </ul>
<p>Failed to set up the lock.</p>	<ul style="list-style-type: none"> <li>◆ Make sure the lock is installed correctly.</li> <li>◆ Insert fresh batteries and make sure that the cable is not pinched.</li> <li>◆ After installation, reset the lock to factory settings to complete the lock setting process.</li> </ul>
<p>I forgot my Master PIN Code.</p>	<ul style="list-style-type: none"> <li>◆ Change the Master PIN Code via the Philips Home Access app.</li> <li>◆ Perform a factory reset to clear all PIN codes. Once the reset is completed, all PIN codes will be deleted and the Master PIN Code will be reset to the default Master PIN Code of 12345678.</li> </ul>



Issue	Solution
Cannot add fingerprints, or the fingerprint does not work.	<ul style="list-style-type: none"> <li>◆ Make sure the fingerprint is registered and recognizable.</li> <li>◆ Change the default Master PIN Code (12345678) before adding fingerprints.</li> <li>◆ Keep the finger to be registered dry and clean.</li> <li>◆ Keep the Fingerprint Sensor dry and clean.</li> <li>◆ Add multiple fingerprints with the same finger.</li> <li>◆ Try to add fingerprints of other fingers.</li> <li>◆ To improve recognition, register your finger from different angles and press harder during the 8-time scanning.</li> </ul>
Receiving low battery alerts.	<ul style="list-style-type: none"> <li>◆ Remove the batteries and insert 8 new AA alkaline batteries.</li> </ul>
The keypad is not responding.	<ul style="list-style-type: none"> <li>◆ Make sure batteries are inserted correctly.</li> <li>◆ If the battery indicator flashes continuously, the batteries are low. Please replace them with 8 new AA alkaline batteries.</li> <li>◆ Make sure that the cable is properly connected and has not been damaged during installation.</li> </ul>
Auto-Lock is not working.	<ul style="list-style-type: none"> <li>◆ If the battery indicator flashes continuously, the batteries are low. Please replace them with 8 new AA alkaline batteries.</li> <li>◆ Activate the Auto-Lock function. Enable it in the Philips Home Access app.</li> </ul>
The Philips Home Access app displays that the door is open when the door is closed.	<ul style="list-style-type: none"> <li>◆ Re-calibrate your lock with the door position sensor in the Philips Home Access app.</li> <li>◆ If re-calibration does not solve this problem, check to see if another magnet has been brought into the range of the lock. If so, remove it.</li> </ul>

**Still have questions or need help? Please feel free to contact us:**



**U.S.A. & Canada: +1(833)599-9111**

## **6 Warranty**

**2 Years Warranty**

This limited warranty applies to Philips Home Access products. It covers defects in materials and workmanship under normal use and conditions, as determined by Conex or its authorized dealer.

For more information on the warranty applicable to this product, please visit <http://www.usa.philips.com>, or contact the reseller from whom you purchased the product.

# 7 FCC Statement

---

This equipment has been tested and found to comply with the limits for a Class B digital device, pursuant to part 15 of the FCC Rules. These limits are designed to provide reasonable protection against harmful interference in a residential installation. This equipment generates, uses and can radiate radio frequency energy and, if not installed and used in accordance with the instructions, may cause harmful interference to radio communications. However, there is no guarantee that interference will not occur in a particular installation. If this equipment does cause harmful interference to radio or television reception, which can be determined by turning the equipment off and on, the user is encouraged to try to correct the interference by one or more of the following measures:

- Reorient or relocate the receiving antenna.
- Increase the separation between the equipment and receiver.
- Connect the equipment into an outlet on a circuit different from that to which the receiver is connected.
- Consult the dealer or an experienced radio/TV technician for help.

Caution: Any changes or modifications to this device not explicitly approved by manufacturer could void your authority to operate this equipment.

This device complies with part 15 of the FCC Rules. Operation is subject to the following two conditions: (1) This device may not cause harmful interference, and (2) this device must accept any interference received, including interference that may cause undesired operation.

## RF Exposure Information

This equipment complies with FCC radiation exposure limits set forth for an uncontrolled environment. This equipment should be installed and operated with minimum distance 20cm between the radiator and your body.

# 8 ISED Statement

---

English: This device contains licence-exempt transmitter(s)/receiver(s) that comply with Innovation, Science and Economic Development Canada's licence-exempt RSS(s). Operation is subject to the following two conditions:

- (1) This device may not cause interference.
- (2) This device must accept any interference, including interference that may cause undesired operation of the device.

The digital apparatus complies with Canadian CAN ICES-3 (B)/NMB-3(B).

French: Cet appareil contient des émetteurs / récepteurs exemptés de licence conformes aux RSS d'Innovation, Sciences et Développement économique Canada.

L'exploitation est autorisée aux deux conditions suivantes:

- (1) Cet appareil ne doit pas produire de brouillages.
- (2) Cet appareil doit accepter tout brouillage, même si le brouillage est susceptible d'en compromettre le fonctionnement.

L'appareil numérique est conforme à la norme canadienne CAN ICES-3(B)/NMB-3(B).

This device meets the exemption from the routine evaluation limits in section 2.5 of RSS 102 and compliance with RSS 102 RF exposure, users can obtain Canadian information on RF exposure and compliance.

Cet appareil est conforme avec l'exemption d'évaluation de routine des limitations de la section 2.5 du CNR-102 et le CNR-102 sur l'exposition aux RF et les utilisateurs peuvent obtenir l'information canadienne sur l'exposition aux RF et la conformité.

This equipment complies with Canada radiation exposure limits set forth for an uncontrolled environment.

Cet équipement est conforme aux limites de radiation du Canada établies pour un environnement non contrôlé.

This equipment should be installed and operated with minimum distance 20cm between the radiator & your body.

Cet équipement doit être installé et utilisé à une distance minimale de 20 cm entre le radiateur et votre corps.

# Contenu FR

---

## **Introduction** **27**

---

## **1 Avertissements & Sécurité** **27**

Sécurité  
Avertissements  
Retours & Recyclage

---

## **2 Installation** **28**

Liste des Pièces  
Aperçu de l'Assemblage  
Installation de la Serrure  
Retirez Les Piles

---

## **3 Configuration** **38**

Téléchargement de l'Application Philips  
Home Access  
Créer un Compte Utilisateur  
Ajouter l'Appareil

---

## **4 Utilisation** **39**

Définitions des Fonctionnalités  
Réinitialisation & Paramètres par Défaut  
Type d'Identification et Capacité Maximale  
Configuration de la Serrure  
Verrouillage & Déverrouillage

---

## **5 Dépannage** **47**

---

---

## **6 Garantie** **49**

---

## **7 Déclaration ISED** **50**

---

# Introduction

Félicitations pour votre achat et bienvenue dans la famille Philips Smart Security !

Pour bénéficier pleinement de l'assistance offerte par Philips Home Access, enregistrez votre produit sur [www.philips.com/myphilips](http://www.philips.com/myphilips)



## Enregistrez votre produit

- Gardez la trace de la couverture de la garantie de votre produit
- Bénéficiez de remises en argent, de cadeaux et d'offres spéciales
- Bénéficiez d'un accès facile au support produit

# 1 Avertissements & Sécurité

## Sécurité

- ◆ Avant d'utiliser ce produit, veuillez lire et comprendre toutes les instructions. Toute perte entraînée par le non-respect des instructions ne sont pas couvertes par la garantie.
- ◆ Utilisez uniquement les composants fournis par le fabricant et les accessoires recommandés.
- ◆ Utilisez uniquement des piles alcalines AA.
- ◆ Ne pas forcer sur le produit lors du démontage car cela pourrait déclencher une alerte ou l'endommager.
- ◆ Ne pas gratter le Détecteur d'empreintes digitales avec des objets pointus car cela pourrait causer des dommages permanents.
- ◆ Ne pas retirer les piles pendant la configuration et lors de l'utilisation de la serrure.
- ◆ Modifiez immédiatement le Code PIN Principal par défaut via l'application Philips Home Access après avoir terminé l'installation.

## Avertissements

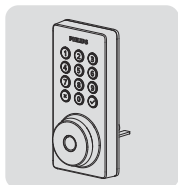
- ◆ Ne pas laisser les piles proches d'une source de feu.
- ◆ Ne pas connecter les 2 pôles des piles à des métaux pour éviter un court-circuit et une explosion potentielle.
- ◆ Tout remplacement d'accessoire doit être effectué par Philips, un centre de service agréé par Philips ou un technicien professionnel.
- ◆ Ne pas utiliser des pièces ou des accessoires fabriqués par un tiers, sauf les piles.
- ◆ Ne pas exposer les produits à des endroits avec des fuites ou des éclaboussures d'eau.

## Retours & Recyclage

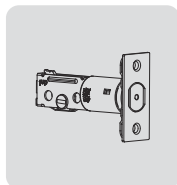
- ◆ Les serrures peuvent être retournées dans un centre de service agréé Philips. Une compensation appropriée sera fournie si le produit retourné répond aux conditions de Philips.
- ◆ Veuillez respecter les réglementations locales et ne jetez pas les produits ou piles usagés dans les ordures ménagères normales.

# 2 Installation

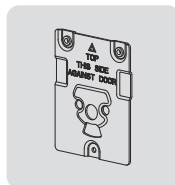
## Listes des Pièces



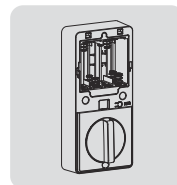
① Assemblage Externe



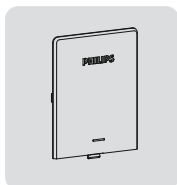
② Pêne Demi-Tour



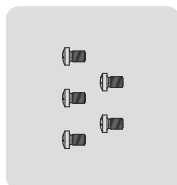
③ Plaque de Montage



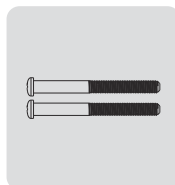
④ Assemblage Interne



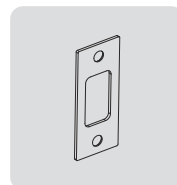
⑤ Cache de Batterie



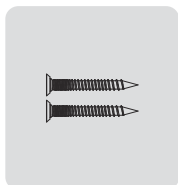
⑥ Vis de l'Assemblage Interne (5)(2 de rechange)



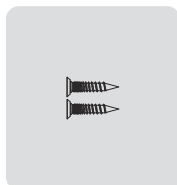
⑦ Vis de la Plaque de Montage (2)



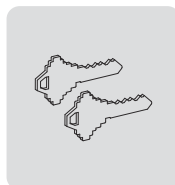
⑧ Plaque de la Gâche



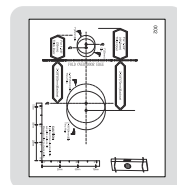
⑨ Vis de la Gâche (2)



⑩ Vis de Pêne Demi-Tour (2)



⑪ Clés mécaniques



⑫ Gabarit de Perçage



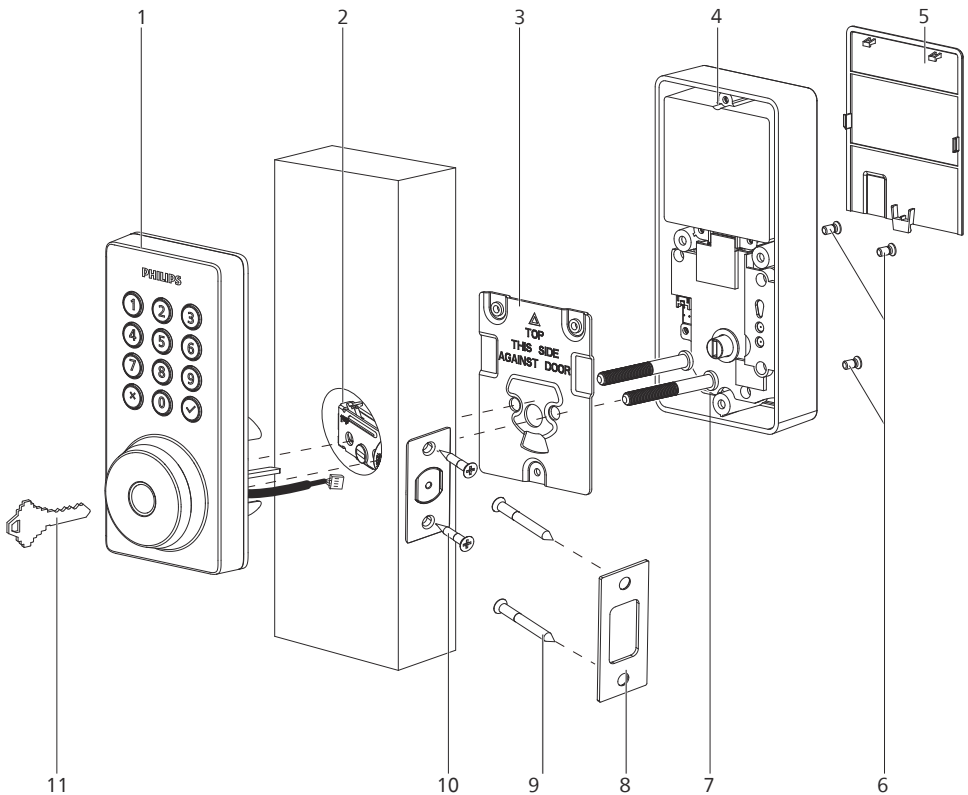
⑬ Mode d'Emploi



⑭ Guide de Démarrage Rapide

\*8 piles alcalines AA sont requises et doivent être achetées séparément.

# Aperçu de l'Assemblage



1. Assemblage Externe

2. Pêne Demi-Tour

3. Plaque de Montage

4. Assemblage Interne

5. Cache de Batterie

6. Vis de l'Assemblage Interne (3)

7. Vis de la Plaque de Montage (2)

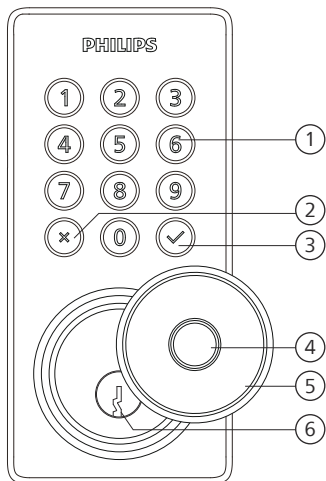
8. Plaque de la Gâche

9. Vis de la Gâche (2)

10. Vis du Pêne Demi-Tour (2)

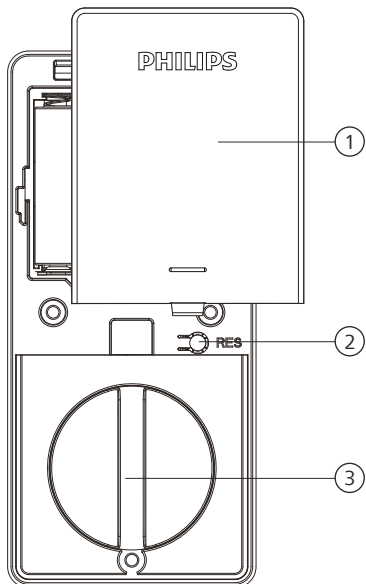
11. Clés mécaniques (2)

## Assemblage Externe



1	Clavier Tactile
2	Bouton d'Annulation
3	Touche de confirmation avec indicateur de rétroéclairage
4	Détecteur d'Empreintes Digitales
5	Cache de la Serrure
6	Trou de la Serrure

## Assemblage Interne



1	Cache de Batterie
2	Bouton de Réinitialisation
3	Bouton de Verrouillage

# Installation de la Serrure

## Outils Requis



#2 Tournevis Cruciforme

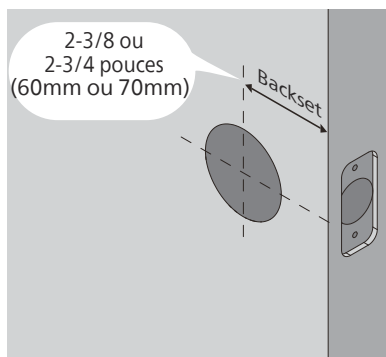
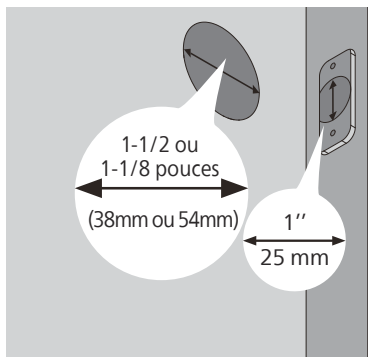


8 piles alcalines AA (achetées séparément)

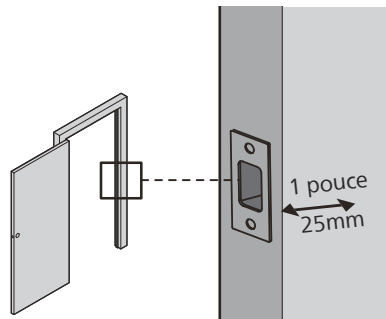
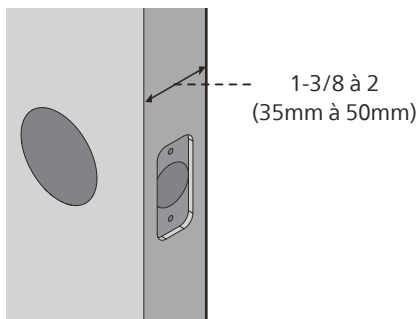
## Préparez la Porte et Vérifiez les Dimensions

- 1 Mesurez pour vérifier que le trou dans la porte soit 1-1/2 ou 1-1/8 pouces (38 mm ou 54 mm).
- 2 Mesurez pour confirmer que l'entraxe soit de 2-3/8 ou 2-3/4 pouces (60 mm ou 70 mm).

Mesurez pour vérifier que le trou sur les côtés de la porte soit de 1 pouce (25 mm).



- 3 Mesurez pour confirmer que la porte soit d'une épaisseur de 1-3/8 à 2 pouces (35 mm à 50 mm).
- 4 Assurez-vous que le trou dans le cadre de la porte soit au moins de 1 pouce (25 mm) de profondeur pour laisser suffisamment d'espace au verrou de s'étendre dans le cadre de la porte lorsque la porte est verrouillée.

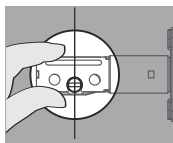
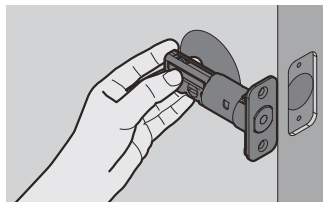


### ⚠ Attention

Assurez-vous que le cadre de la porte soit aligné avec la porte et qu'il n'y ait aucun blocage dans le cadre de la porte.

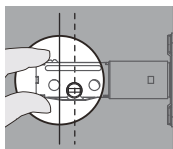
⑥ Déterminez l'entraxe et ajustez le Pêne Demi-Tour.

Tenez le Pêne Demi-Tour devant le trou de la porte, avec la face du Pêne Demi-Tour alignée contre le côté de la porte. L'entaille d'encastrement est-elle centrée au trou de la porte ?



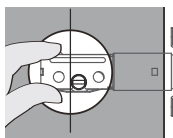
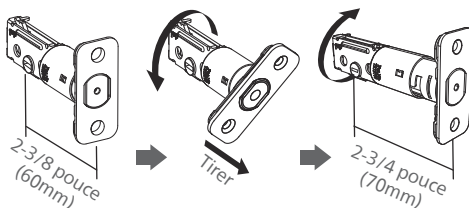
**OUI**

Aucun ajustement n'est nécessaire.  
Passez à l'étape suivante.



**NON**

L'entaille d'encastrement n'est PAS centrée.  
Tournez et tirez le Pêne Demi-Tour comme indiqué pour l'étendre.

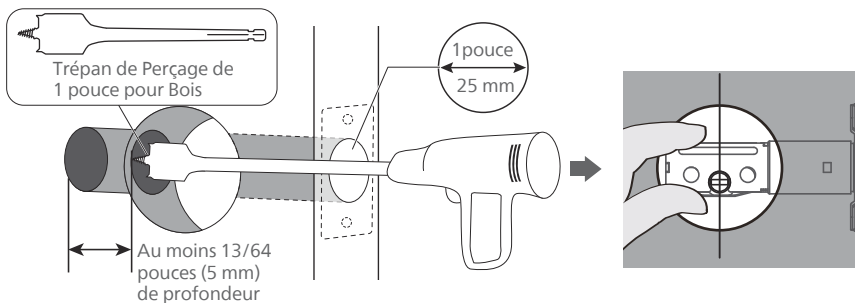


**NON**

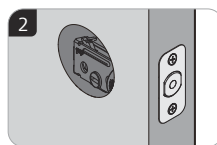
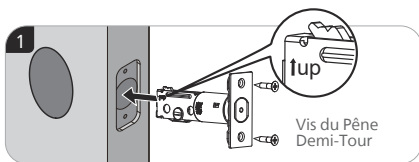
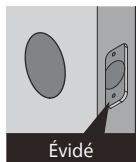
Pour le trou de perçage de 1-1/2 pouce (38 mm), utilisez un trépan de perçage de 1 pouce (25 mm) pour agrandir l'entaille d'encastrement d'une profondeur d'au moins 13/64 pouces (5 mm).

Pas besoin d'agrandir l'entaille d'encastrement pour un trou de perçage de 2-1/8 pouces (54 mm).

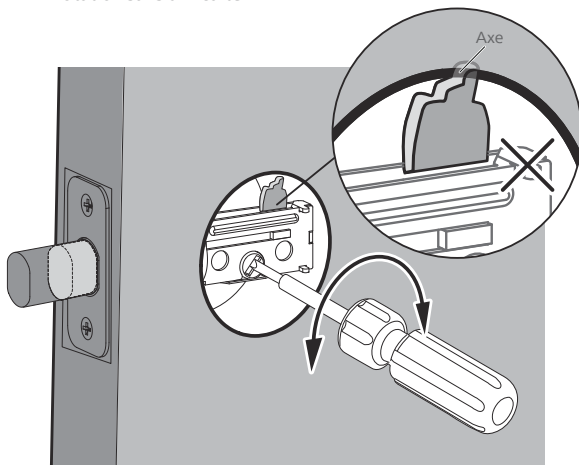
Après avoir agrandi l'entaille d'encastrement, insérez le Pêne Demi-Tour de nouveau pour vous assurer qu'il est bien adapté.



⑦ Installez le Pêne Demi-Tour.

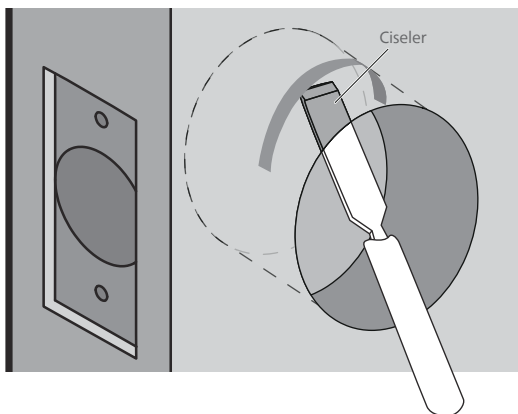


- ⑦ Installez le Pêne Demi-Tour et faites-le tourner avec un tournevis pour s'assurer d'une rotation sans difficulté.

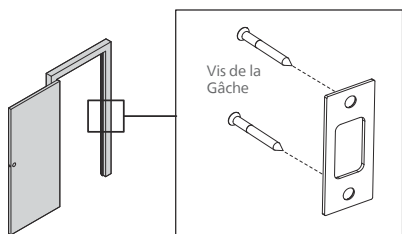


S'il ne peut pas tourner avec aisance, c'est parce que le trou de la porte est trop petit.

Retirez le Pêne Demi-Tour et ciselez un petit canal en haut du trou pour que l'axe dans le trou du Pêne Demi-Tour puisse tourner.



- ⑧ Installez la Plaque de Gâche sur le cadre de la porte.



**⚠ Attention**

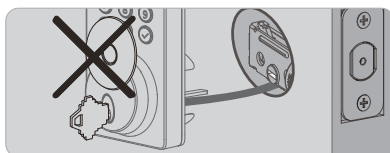
Assurez-vous que le trou dans le cadre de la porte soit d'une profondeur minimale de 1 pouce (25 mm).

## Installation de l'Assemblage Externe

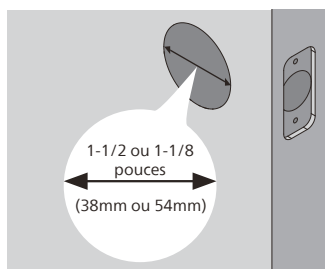
### ⚠ Attention

Avant l'installation de l'Assemblage Interne et Externe, assurez-vous que le Pêne Demi-Tour soit complètement rétracté (en position déverrouillée).

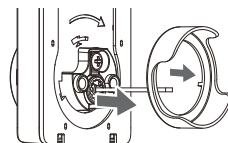
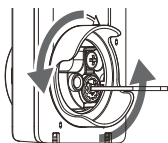
Ne pas insérer la clé lorsque vous l'installez.



Mesurez le diamètre du trou dans la porte.



**1-1/2 pouce(38mm)**

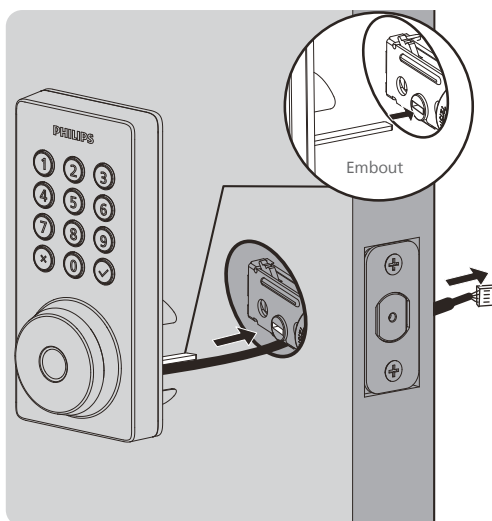


Retirez l'entretoise

**2-1/8 pouces(54mm)**

Passez à l'étape suivante.

- ⑨ Avec le Pêne Demi-Tour entièrement rétracté (en position déverrouillée), acheminez le câble sous le Pêne Demi-Tour et insérez l'embout dans le trou de l'Assemblage Externe.

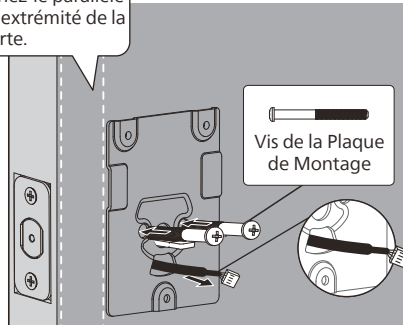


- ⑩ Fixez la Plaque de Montage avec les Vis de la Plaque de Montage. Ne serrez pas trop les vis.

**⚠ Attention**

Acheminez le câble à travers le trou de la Plaque de Montage.

Tenez-le parallèle à l'extrémité de la porte.



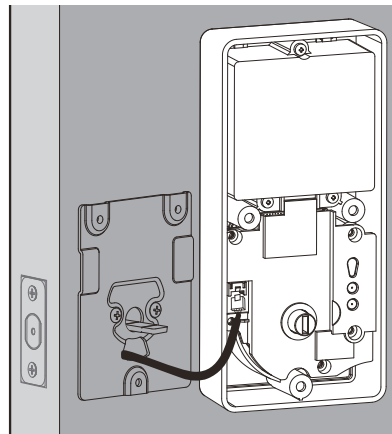
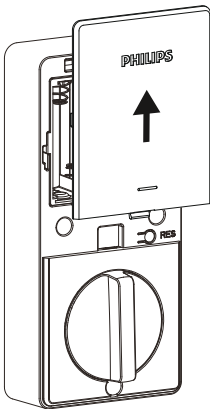
## Installation de l'Assemblage Interne

- ⑪ Poussez la Cache de Batterie vers le haut dans la direction illustrée.

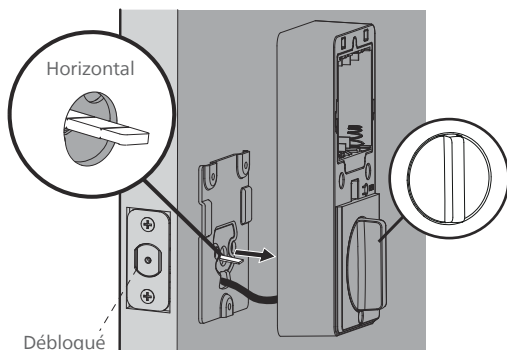
**⚠ Attention**

Ne pas insérer les piles avant de terminer l'installation de la serrure.

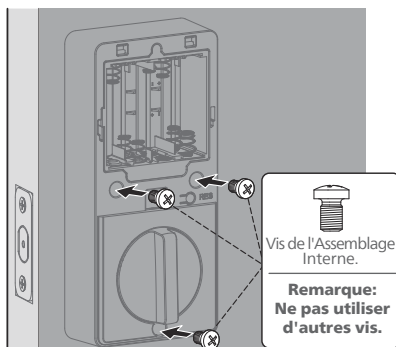
- ⑫ Insérez le connecteur du câble de l'Assemblage Externe dans la douille de l'Assemblage Interne. Poussez fermement le connecteur vers l'intérieur jusqu'à ce qu'il soit complètement fixé.



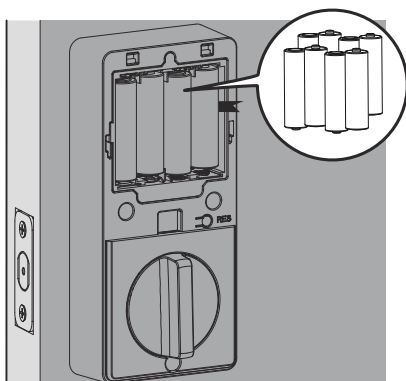
- 13 Gardez le Bouton de Verrouillage en position verticale et l'embout en position horizontale, puis installez l'Assemblage Interne.



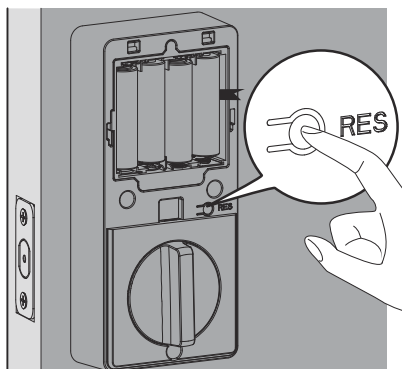
- 14 Fixez l'assemblage interne à la plaque de montage et fixez-le à l'aide de 3 vis de montage intérieur.



- 15 Installez les piles alcalines AA en suivant l'orientation indiquée à l'intérieur du compartiment de batterie. 8 piles alcalines AA sont requises et doivent être achetées séparément.



- 16 Gardez la porte ouverte et déverrouillée. Appuyez sur le Bouton de Réinitialisation et maintenez-le enfoncé pendant 5 secondes. Maintenez le Bouton de Réinitialisation enfoncé jusqu'à ce que vous entendiez un long bip et que le pêne demi-tour se déploie automatiquement.



**⚠ Attention**

Assurez-vous que le câble n'est pas coincé sinon le verrou ne fonctionnera pas correctement.

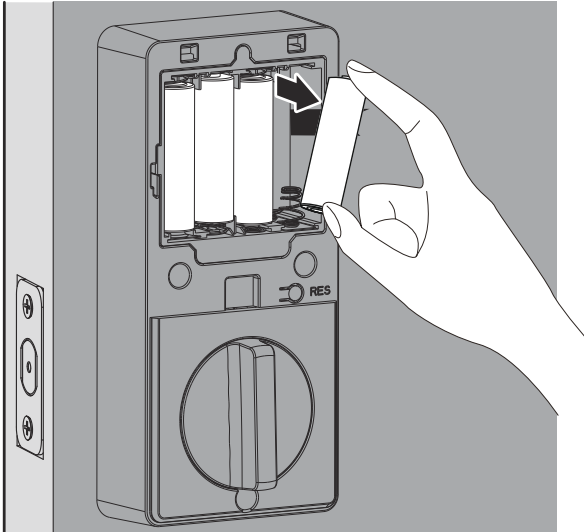
## Besoin d'aide?



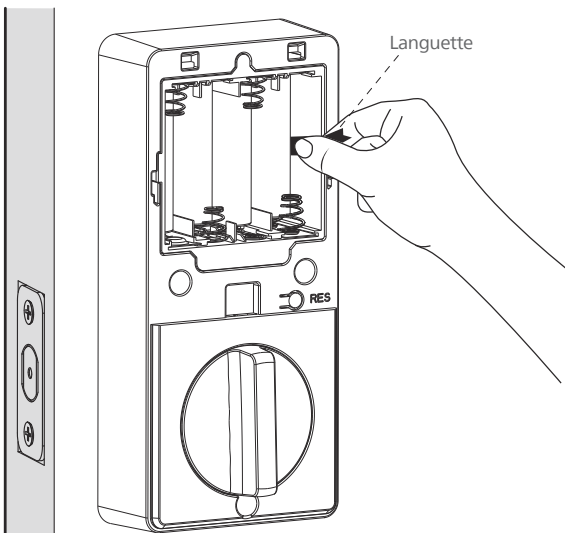
U.S.A. & Canada: +1(833)599-9111

## Retirez Les Piles

- ① Retirez les 4 piles extérieures de droite à gauche.



- ② Tirez sur la languette pour retirer les 4 piles intérieures de droite à gauche.



# 3 Configuration

## Téléchargement de l'Application Philips Home Access



Home Access



Scannez le code QR pour télécharger l'application Philips Home Access.

### Créer un Compte Utilisateur

Enregistrez-vous et connectez-vous à l'application Philips Home Access.

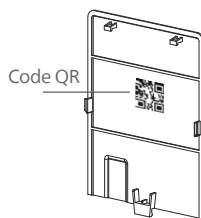


### Ajouter l'Appareil

Approchez votre téléphone proche de la serrure, activez les autorisations de Localisation et Bluetooth, puis scannez le code QR à l'arrière du cache de batterie pour ajouter l'appareil.

#### ⚠ Attention

Si l'appareil n'est pas trouvé, assurez-vous que les autorisations de Localisation et Bluetooth données aux applications sont activées pour l'appairage.



Si la connexion Wi-Fi échoue, veuillez suivre ces conseils :

- Vérifiez si la connexion Wi-Fi est stable.
- Assurez-vous que le réseau est un réseau de 2,4 GHz, car la serrure ne prend en charge que 2,4 GHz. Si votre routeur est bi-bande (2,4 GHz/5 GHz), désactivez la bande 5 GHz.
- Gardez le routeur et la serrure à moins de 65 pieds (20 m). Évitez les murs et les sources d'interférence comme les micro-ondes.
- Un trop grand nombre d'appareils connectés au Wi-Fi peut affecter la connexion de la serrure.
- Assurez-vous que le micrologiciel et l'application de la serrure sont à jour. Si une mise à jour est disponible, veuillez la mettre à jour rapidement.

# 4 Utilisation

## Définitions des Fonctionnalités

### Attention

Les paramètres des fonctionnalités peuvent être réglés si nécessaire via l'application Philips Home Access.

### Code PIN Principal

Les nécessaires pour la programmation et le réglage des paramètres. Le Code PIN principal peut être utilisé pour déverrouiller le pêne dormant lorsqu'il est mode Absent et en mode Confidentialité. Une fois l'installation terminée, le Code PIN principal par défaut (12345678) doit être modifié immédiatement via l'application Philips Home Access. Le propriétaire ou le gestionnaire doit garder ces renseignements confidentiels.

### 4 Méthodes de Déverrouillage

Déverrouillez à l'aide de votre empreinte digitale, de vos codes PIN, de vos clés ou d'une simple pression via l'application Philips Home Access. Les empreintes digitales et les codes PIN peuvent être ajoutés dans les paramètres de l'application (l'enregistrement des empreintes digitales doit se faire sur la serrure).

### Partage facile

Suivez les instructions de l'application Phillips Home Access pour partager l'accès à votre domicile avec votre famille ou vos amis. L'accès ne peut être partagé et accepté qu'à travers l'application Phillips Home Access.

### Enregistrements des Activités de la Serrure

Offre un compte-rendu détaillé de toutes les interactions et activités telles que verrouillage/déverrouillage et accès utilisateur.

### Codes PIN multimode

Créez des codes PIN multimode à distance via l'application Philips Home Access pour différents circonstances, tels que l'invitation des invités ou l'appel à un technicien de service.

### Verrouillage en une Touche

Verrouillez la porte en appuyant simplement sur n'importe quelle touche du clavier et en la maintenant enfoncée pendant 2 secondes.

Verrouillez la porte en appuyant tout simplement sur "✓" une fois sans saisir aucun code.

Verrouillez la porte par empreinte digitale lorsque l'appareil est déverrouillé.

### Verrouillage Automatique

L'appareil se verrouille automatiquement une fois qu'il a été déverrouillé. Cette fonction est désactivée par défaut. Il peut être réglé entre 10 et 180 secondes via l'application Philips Home Access.

### Mode Silencieux

Les sons peuvent être coupés en appuyant sur le clavier. Cependant, vous entendrez toujours les avertissements de batterie faible et les alertes du système. Activez-le dans l'application Philips Home Access.

## Mode Absent

Ceci un dispositif de sécurité lorsque vous quittez votre maison pour les vacances ou pour un long voyage. Le mode Absent limite tous les codes PIN et empreintes digitales de l'utilisateur jusqu'à ce que le Code PIN principal soit saisi sur le clavier. Lorsque la serrure est déverrouillée par le Bouton de Verrouillage, elle déclenche une alarme qui sonne pendant 1 minute et envoie une notification via l'application Philips Home Access.

Activez-le dans l'application Philips Home Access. By entering the Master PIN Code on the keypa.

En saisissant le Code PIN principal sur le clavier ou en le réglant sur l'application Philips Home Access, vous pouvez désactiver l'alarme et le mode Absent.

## Mode Confidentiel

Maintenez le Bouton de Confidentialité sur l'Assemblage Interne pendant 3 secondes pour activer le Mode Confidentiel. Cela limitera tous les accès par Code PIN et Empreintes Digitales. Le Mode Confidentiel sera automatiquement désactivé après déverrouillage de la porte avec le Bouton de Verrouillage ou le Code PIN Principal.

## Réinitialisation & Paramètres par Défaut

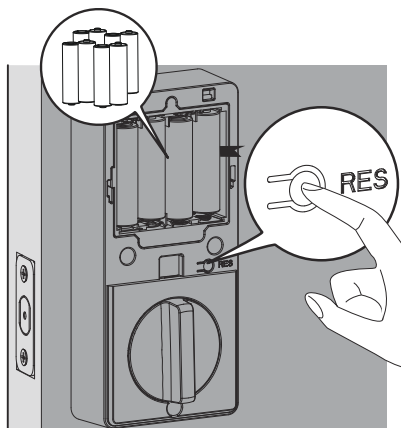
Cette procédure efface tous les paramètres utilisateur et réseau et dissocie la serrure des comptes des utilisateurs.

Tous les accessoires appariés seront également supprimés. La réinitialisation de la serrure activera également le processus de configuration de la poignée.

Gardez la porte ouverte et déverrouillée.

Appuyez sur le Bouton de Réinitialisation et maintenez-le enfoncé pendant 5 secondes.

Maintenez le Bouton de Réinitialisation enfoncé jusqu'à ce que vous entendiez un long bip et que le pêne demi-tour se déploie automatiquement.



Fonctionnalités	Paramètre par Défaut
Code PIN Principal	12345678
Verrouillage Automatique	Désactivé
Mode Silencieux	Désactivé
Durée d'Ouverture	3 Minutes
Mode Absent	Désactivé

## Type d'Identification et Capacité Maximale

1. Code PIN Principal (4 à 10 chiffres) : Le Code PIN Principal par défaut est 12345678. Modifiez le Code PIN Principal par défaut avant d'enregistrer d'autres codes.
2. Code PIN Utilisateur (4 à 10 chiffres) : Un total de 100 codes PIN Utilisateur peut être ajouté et enregistré dans la serrure.
3. Empreinte Digitale de l'Utilisateur : 20 empreintes digitales peuvent être ajoutées et enregistrées dans la serrure.

## Configuration de la Serrure

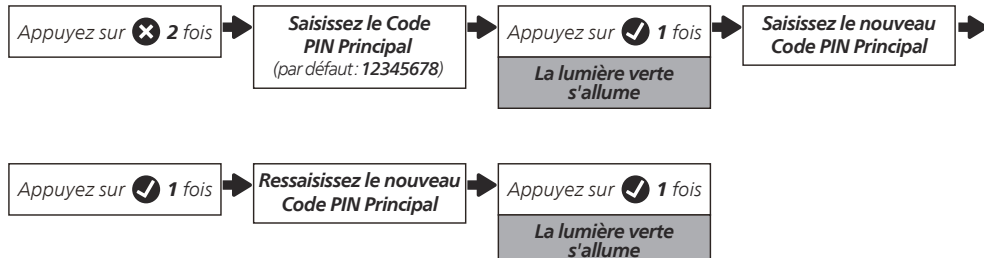
### ⚠ Attention

Le Code PIN Principal par défaut est 12345678. Modifiez le Code PIN Principal par défaut avant de configurer la serrure. L'indicateur LED clignotera en rouge lorsque le code saisi n'a pas pu être enregistré.

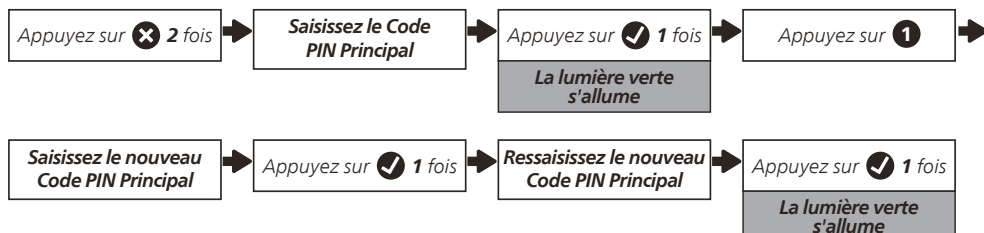
Si aucune touche n'a été appuyée pendant plus de 10 secondes, la serrure quittera le mode de configuration.

**Tous les paramètres peuvent être facilement gérés via l'application Philips Home Access avec une configuration recommandée.**

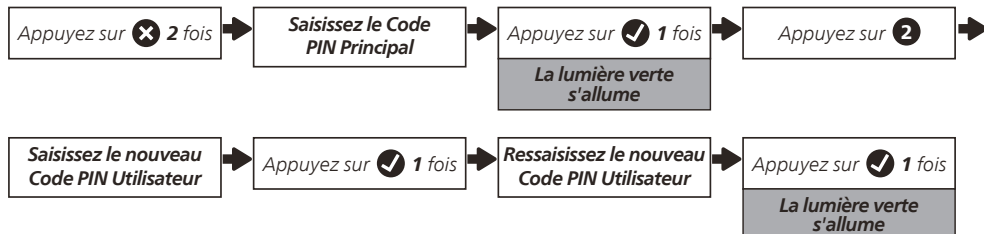
### Modification du Code PIN Principal par Défaut



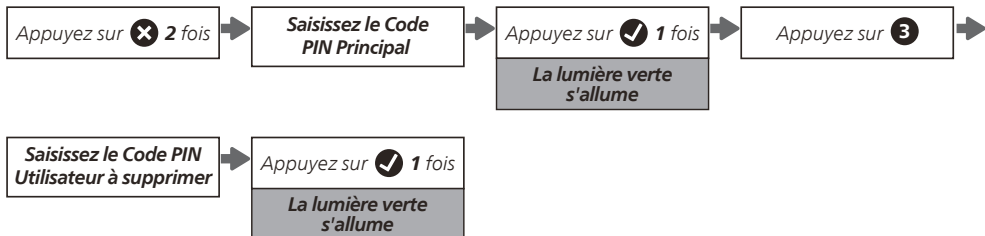
### Modification du Code PIN Administratif



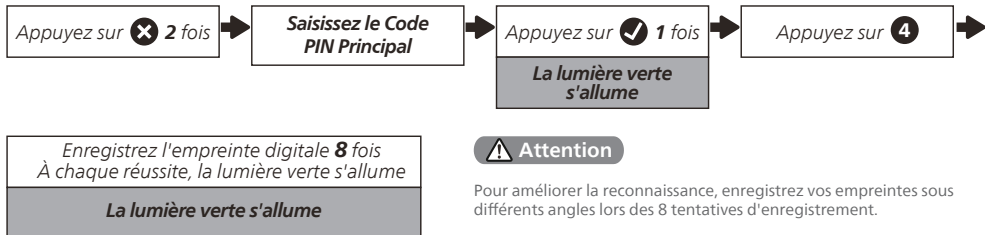
### Ajouter un Code PIN Utilisateur



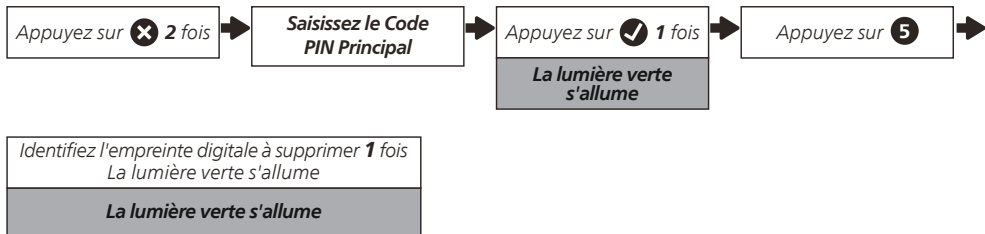
## Suppression du Code PIN Utilisateur



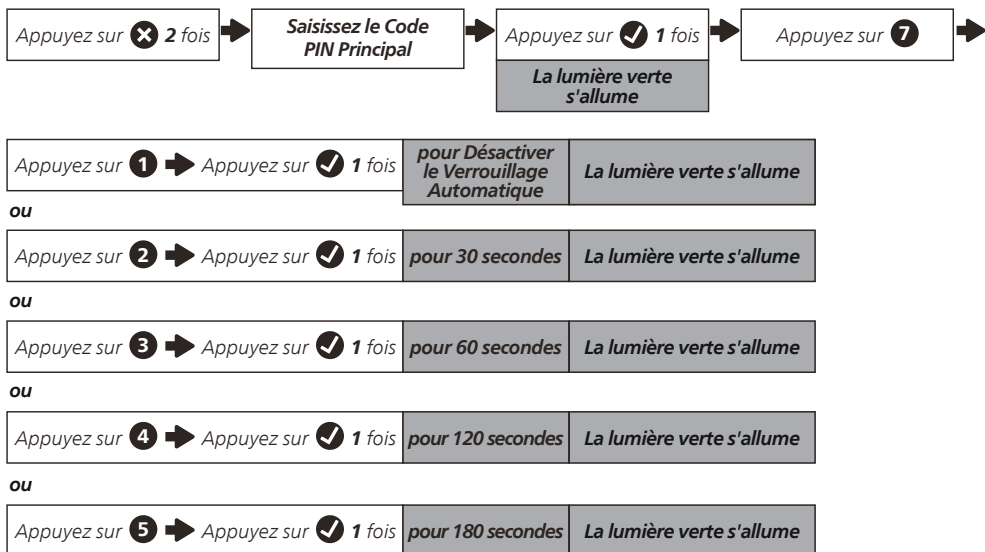
## Enregistrement d'une Empreinte Digitale de l'Utilisateur



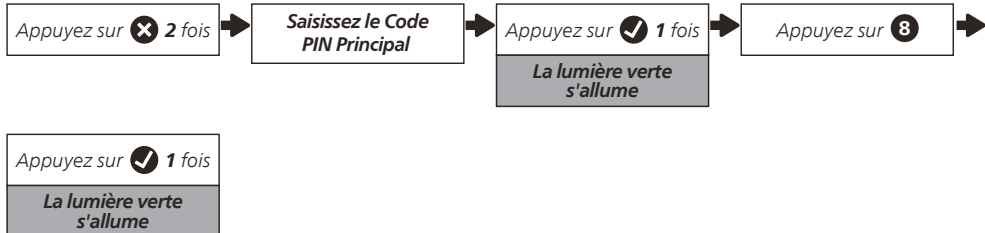
## Suppression d'une Empreinte Digitale de l'Utilisateur



## Durée d'Ouverture Avant Verrouillage Automatique



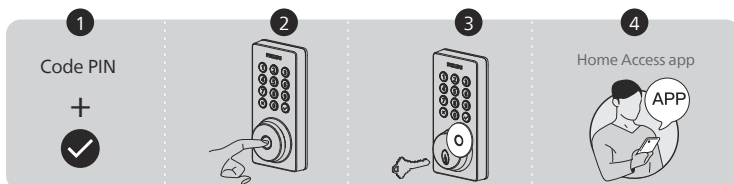
## Mode Absent



## Verrouillage & Déverrouillage

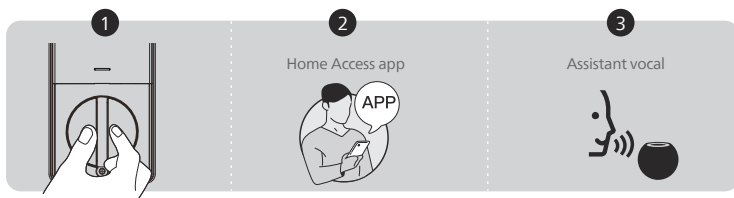
### Déverrouillage de la Porte depuis l'Extérieur

1. Déverrouillage avec Code PIN.
2. Déverrouillage avec Empreinte Digitale.
3. Déverrouillage avec Clé Mécanique.
4. Déverrouillage avec l'application Philips Home Access.



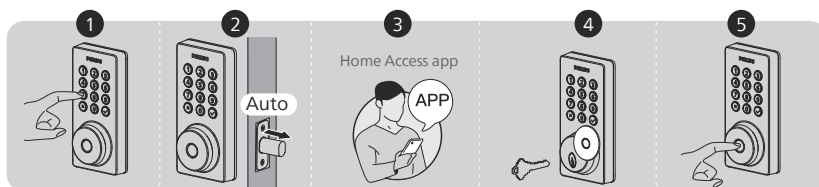
### Déverrouillage de la Porte depuis l'Intérieur

1. Tournez le Bouton de Verrouillage à la position de déverrouillage.
2. Déverrouillage avec l'application Philips Home Access.
3. Déverrouillage avec l'assistant vocal.



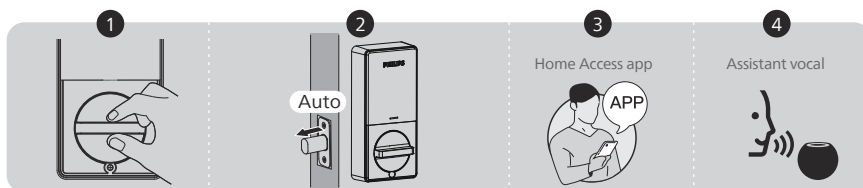
## Verrouillage de la Porte depuis l'Extérieur

1. Appuyez sur n'importe quel bouton du clavier et maintenez-le enfoncé pendant au moins 2 secondes pour verrouiller la porte en mode Manuel ou verrouillez en appuyant sur «✓» 1 fois sans entrer de code.
2. En mode Verrouillage automatique, l'appareil est verrouillé automatiquement.
3. Verrouillage avec l'application Philips Home Access.
4. Verrouillage avec la Clé Mécanique.
5. Verrouillage par empreinte digitale.



## Verrouillage de la Porte depuis l'Intérieur

1. Tournez le Bouton de Verrouillage à la position de verrouillage pour verrouiller l'appareil en Mode Manuel.
2. En Mode Verrouillage Automatique, l'appareil se verrouille automatiquement.
3. Verrouillage avec l'application Philips Home Access.
4. Verrouillage à l'aide de l'assistant vocal.



# 5 Dépannage

Problème	Solution
Le Pêne Demi-Tour ne fonctionne pas correctement après l'installation.	<ul style="list-style-type: none"> <li>◆ Assurez-vous que la distance du pêne demi-tour soit proprement ajustée. Consultez la page 33.</li> <li>◆ Avant l'installation, assurez-vous que le Pêne Demi-Tour soit rétracté. Consultez la page 34.</li> <li>◆ Veuillez restaurer les paramètres d'usine par défaut et saisir le Code PIN Principal par défaut pour configurer la serrure. Consultez la page 40.</li> </ul>
Après l'installation, le Pêne Demi-Tour fait du bruit mais ne fonctionne pas.	<p><b>Assurez-vous d'avoir suivi les instructions d'installation. Réinstallez et réinitialisez la serrure en faisant attention aux conseils suivants :</b></p> <ul style="list-style-type: none"> <li>◆ Avant d'installer l'Assemblage Externe et Interne, assurez-vous que le Pêne Demi-Tour soit complètement rétracté (en position déverrouillée).</li> <li>◆ Ne pas insérer la clé lors de l'installation.</li> <li>◆ Assurez-vous d'avoir inséré correctement le connecteur du câble de l'Assemblage Externe dans la douille de l'Assemblage Interne.</li> <li>◆ Gardez l'Assemblage Externe et Interne aligné et en parallèle avec le bord de la porte, et le Pêne Demi-Tour parallèle au bord de la porte.</li> <li>◆ Maintenez le bouton de réinitialisation pendant au moins 5 secondes jusqu'à ce que vous entendiez un bip.</li> <li>◆ Utilisez 8 piles AA neuves et sèches, n'utilisez pas de piles rechargeables ou de piles neuves mélangées à des piles usagées.</li> </ul>
La configuration d'ouverture n'est pas activée après avoir mis les piles.	<ul style="list-style-type: none"> <li>◆ Appuyez sur le Bouton de Réinitialisation pendant au moins 5 secondes jusqu'à ce que vous entendiez un son qui vous invite à restaurer les paramètres par défaut.</li> </ul>
La serrure tourne dans le mauvais sens.	<ul style="list-style-type: none"> <li>◆ Maintenez le Bouton de Réinitialisation pendant au moins 5 secondes jusqu'à ce que vous entendiez un bip pour activer le processus de verrouillage.</li> <li>◆ Si la réinitialisation ne parvient pas à résoudre le problème, la serrure n'est probablement pas installée correctement. Veuillez réinstaller la serrure et la réinitialiser à nouveau.</li> </ul>
Impossible de retirer la clé à partir du Trou de la Serrure.	<ul style="list-style-type: none"> <li>◆ Démontez la serrure, puis faites tourner pour retirer la clé et réinstallez la serrure.</li> <li>◆ Ne pas insérer la clé lors de l'installation.</li> </ul>
La serrure ne tourne que si la Clé est Insérée.	<ul style="list-style-type: none"> <li>◆ Assurez-vous que le Pêne Demi-tour soit correctement installé. Consultez la page 33-34.</li> </ul>
La serrure ne se verrouille ou se déverrouille pas de manière fluide lors de l'utilisation du Bouton de Verrouillage.	<ul style="list-style-type: none"> <li>◆ Vérifiez à ce que les Vis de Montage soient correctement installées.</li> </ul>

Problème	Solution
<p>La serrure se verrouille mais ne se déverrouille pas, ou le Pêne Demi-Tour rentre et sort de manière incontrôlable.</p>	<ul style="list-style-type: none"> <li>◆ Si la porte se verrouille et se déverrouille de manière fluide en position ouverte, il y a un problème avec le cadre de la porte. Assurez-vous que le trou dans le cadre de la porte soit percé d'au moins 1 pouce (25 mm) de profondeur pour laisser suffisamment d'espace pour que le Pêne Demi-Tour puisse s'étendre dans le cadre de la porte lorsque la porte est verrouillée.</li> <li>◆ Si le problème persiste en position ouverte, il y a un problème avec la configuration d'ouverture ou l'installation de la serrure. Maintenez le bouton de réinitialisation pendant au moins 5 secondes jusqu'à ce que vous entendiez un bip pour réinitialiser la serrure. Si la réinitialisation ne parvient pas à résoudre le problème, la serrure n'est probablement pas installée correctement. Veuillez réinstaller la serrure et la réinitialiser à nouveau.</li> <li>◆ Si ces solutions ne parviennent toujours pas à résoudre le problème, n'hésitez pas à nous contacter.</li> </ul>
<p>Échec de Verrouillage.</p>	<ul style="list-style-type: none"> <li>◆ Tenez l'Assemblage Externe et Interne aligné et parallèle au bord de la porte.</li> <li>◆ Tenez le Pêne Demi-Tour parallèle au bord de la porte.</li> </ul>
<p>Le Code PIN Principal ne peut pas être modifié.</p>	<ul style="list-style-type: none"> <li>◆ Changez le Code PIN Principal via l'application Philips Home Access.</li> <li>◆ Restaurez les paramètres d'usine et réenregistrez tous les Codes PIN Utilisateur. Consultez la page 40.</li> </ul>
<p>Impossible de scanner le code QR sur l'appareil.</p>	<ul style="list-style-type: none"> <li>◆ Scannez le code QR dans un environnement bien éclairé, utilisez la lampe torche intégrée de votre téléphone ou essayez de scanner dans un environnement suffisamment éclairé.</li> <li>◆ Assurez-vous d'avoir assez de distance entre votre smartphone et le code QR et assurez-vous que le code QR soit au centre de l'écran de votre téléphone.</li> <li>◆ L'éclairage direct ou la lumière du soleil peuvent provoquer des reflets qui pourraient interférer lors du scan.</li> </ul>
<p>Échec de l'ajout de l'appareil via Bluetooth.</p>	<ul style="list-style-type: none"> <li>◆ Assurez-vous que votre serrure connectée soit suffisamment alimentée et que votre téléphone soit à proximité.</li> <li>◆ Vérifiez les paramètres Bluetooth de votre téléphone et assurez-vous qu'il soit activé.</li> <li>◆ Si vous avez un appareil Android, activez le Service de Localisation.</li> </ul>
<p>Échec de la configuration de la serrure.</p>	<ul style="list-style-type: none"> <li>◆ Assurez-vous que la serrure soit installée correctement.</li> <li>◆ Mettez des piles neuves et assurez-vous que le câble n'est pas coincé.</li> <li>◆ Après l'installation, restaurez la serrure aux paramètres d'usine pour terminer le processus de configuration de la serrure.</li> </ul>
<p>J'ai oublié mon Code PIN Principal.</p>	<ul style="list-style-type: none"> <li>◆ Changez le Code PIN Principal avec l'application Philips Home Access.</li> <li>◆ Effectuez une réinitialisation pour effacer tous les codes PIN. Une fois la réinitialisation terminée, tous les codes PIN seront supprimés et le Code PIN Principal sera réinitialisé au Code PIN Principal par défaut 12345678.</li> </ul>

Problème	Solution
Impossible d'ajouter des empreintes digitales, ou l'empreinte digitale ne fonctionne pas.	<ul style="list-style-type: none"> <li>◆ Assurez-vous que l'empreinte digitale soit enregistrée et identifiable.</li> <li>◆ Modifiez le Code PIN Principal par défaut (12345678) avant d'ajouter des empreintes digitales.</li> <li>◆ Ayez le doigt à enregistrer sec et propre.</li> <li>◆ Ayez le Détecteur d'empreintes digitales sec et propre.</li> <li>◆ Ajoutez plusieurs empreintes digitales avec le même doigt.</li> <li>◆ Essayez d'ajouter les empreintes digitales des autres doigts.</li> <li>◆ Pour améliorer l'identification, enregistrez vos empreintes sous différents angles et appuyez plus fort lors des 8 tentatives d'enregistrement.</li> </ul>
Réception d'alertes de batterie faible	<ul style="list-style-type: none"> <li>◆ Retirez les piles et insérez 8 nouvelles piles alcalines AA.</li> </ul>
Le clavier tactile ne répond pas.	<ul style="list-style-type: none"> <li>◆ Assurez-vous que les piles soient insérées correctement.</li> <li>◆ Les piles sont faibles si l'indicateur de batterie clignote de façon continue. Veuillez les remplacer par 8 nouvelles piles alcalines AA.</li> <li>◆ Assurez-vous que le câble soit correctement connecté et qu'il n'a pas été endommagé lors de l'installation.</li> </ul>
Le Verrouillage Automatique ne fonctionne pas.	<ul style="list-style-type: none"> <li>◆ Les piles sont faibles si l'indicateur de batterie clignote de façon continue. Veuillez les remplacer par 8 nouvelles piles alcalines AA.</li> <li>◆ Activez la fonction Verrouillage Automatique. Activez-le dans l'application Philips Home Access.</li> </ul>
L'application Philips Home Access indique que la porte est ouverte alors qu'elle est fermée.	<ul style="list-style-type: none"> <li>◆ Recalibrez votre serrure avec le Détecteur de Position de Porte dans l'application Philips Home Access.</li> <li>◆ Si le recalibrage ne résout pas ce problème, vérifiez si tout autre aimant est à proximité de la serrure. Si oui, retirez-le.</li> </ul>

**Encore des questions ou besoin d'aide ?  
N'hésitez pas à nous contacter :**



**U.S.A. & Canada: +1(833)599-9111**

## 6 Garantie

**2 Ans de Garantie**

Cette garantie limitée s'applique aux produits Philips Home Access. Elle couvre les défauts de matériaux et de fabrication dans des conditions normales d'utilisation, telles que déterminées par Conex ou son revendeur agréé.

Pour plus d'informations sur la garantie applicable à ce produit, veuillez visiter <http://www.usa.philips.com> ou contacter le revendeur auprès duquel vous avez acheté le produit.

# 7 Déclaration ISED

---

English: This device contains licence-exempt transmitter(s)/receiver(s) that comply with Innovation, Science and Economic Development Canada's licence-exempt RSS(s). Operation is subject to the following two conditions:

(1) This device may not cause interference.

(2) This device must accept any interference, including interference that may cause undesired operation of the device.

The digital apparatus complies with Canadian CAN ICES-3 (B)/NMB-3(B).

French: Cet appareil contient des émetteurs / récepteurs exemptés de licence conformes aux RSS d'Innovation, Sciences et Développement économique Canada.

L'exploitation est autorisée aux deux conditions suivantes:

(1) Cet appareil ne doit pas produire de brouillages.

(2) Cet appareil doit accepter tout brouillage, même si le brouillage est susceptible d'en compromettre le fonctionnement.

L'appareil numérique est conforme à la norme canadienne CAN ICES-3(B)/NMB-3(B).

This device meets the exemption from the routine evaluation limits in section 2.5 of RSS 102 and compliance with RSS 102 RF exposure, users can obtain Canadian information on RF exposure and compliance.

Cet appareil est conforme avec l'exemption d'évaluation de routine des limitations de la section 2.5 du CNR-102 et le CNR-102 sur l'exposition aux RF et les utilisateurs peuvent obtenir l'information canadienne sur l'exposition aux RF et la conformité.

This equipment complies with Canada radiation exposure limits set forth for an uncontrolled environment.

Cet équipement est conforme aux limites de radiation du Canada établies pour un environnement non contrôlé.

This equipment should be installed and operated with minimum distance 20cm between the radiator & your body.

Cet équipement doit être installé et utilisé à une distance minimale de 20 cm entre le radiateur et votre corps.

# Índice ES

---

**Introducción** **52**

---

**1 Advertencias y Seguridad** **52**

Seguridad

Precaución

Devoluciones y Eliminación

---

**2 Instalación** **53**

Lista de Partes

Vista del Ensamblaje

Instalar la Cerradura

Retire las Pilas

---

**3 Configuración** **63**

Descargar la Aplicación Philips Home Access

Crear una Cuenta de Usuario

Agregar el Dispositivo

---

**4 Uso** **64**

Definiciones de las Funciones

Reinicio de Fábrica y Configuración de Fábrica

Tipo de Acreditación y Capacidad Máxima

Programar la Cerradura

Bloquear y Desbloquear

---

**5 Resolución de Problemas** **72**

---

---

**6 Garantía** **74**

---

**7 Declaración de Conformidad con ISED** **75**

---

# Introducción

¡Felicitaciones por su compra! ¡Le damos la bienvenida a la Familia de Seguridad Inteligente de Philips!

Para aprovechar todos los beneficios que le ofrece Philips Home Access, registre su producto en [www.philips.com/myphilips](http://www.philips.com/myphilips)



## Registre su producto

- Haga un seguimiento del período de garantía de su producto
- Acceda a devoluciones de efectivo, obsequios y ofertas especiales
- Obtenga asistencia para su producto de forma sencilla

## 1 Advertencias y Seguridad

### Seguridad

- ◆ Antes de usar este producto, es importante que lea y entienda todas las instrucciones. La garantía no cubre daños derivados del incumplimiento de las siguientes instrucciones.
- ◆ Utilice solo componentes suministrados por el fabricante y los accesorios sugeridos.
- ◆ Utilice solo pilas alcalinas AA.
- ◆ No desensamble a la fuerza el producto para activar una alarma o dañar el producto.
- ◆ No raspe el sensor de huellas digitales con objetos cortantes ya que podría provocar un daño permanente.
- ◆ No extraiga las pilas durante la instalación y el funcionamiento de la cerradura.
- ◆ Cambie el código PIN maestro predeterminado inmediatamente después de finalizar la instalación.

### Precaución

- ◆ No coloque las pilas cerca de fuentes de incendio.
- ◆ No conecte los 2 polos de las pilas con metales para evitar cortocircuitos y una posible explosión.
- ◆ Todas las sustituciones de componentes deben ser realizadas por Philips, un centro de servicio autorizado por Philips o un técnico profesional.
- ◆ No utilice partes ni accesorios fabricados por otras empresas, excepto las pilas.
- ◆ No exponga los productos a lugares donde se puedan producir pérdidas o salpicaduras de agua.

### Devoluciones y Eliminación

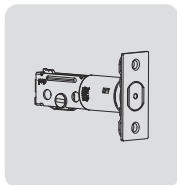
- ◆ Las cerraduras pueden devolverse en un centro de servicio autorizado por Philips. Si el producto devuelto cumple las condiciones establecidas por Philips, se proporcionará una compensación acorde.
- ◆ Respete los reglamentos locales y no deseche los productos ni pilas usados con los residuos domésticos normales.

# 2 Instalación

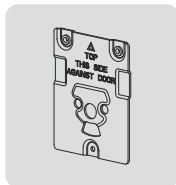
## Lista de Partes



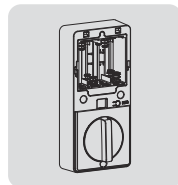
① Ensamblaje exterior



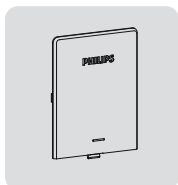
② Perno del cerrojo



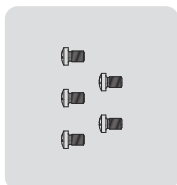
③ Placa de montaje



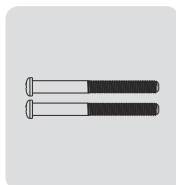
④ Ensamblaje interior



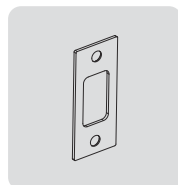
⑤ Cubierta de la batería



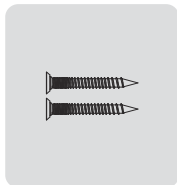
⑥ Tornillos de ensamblaje interior (5)(2 de repuesto)



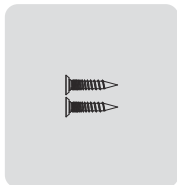
⑦ Tornillos de placa de montaje (2)



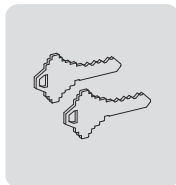
⑧ Placa del cerradero



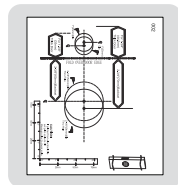
⑨ Tornillos de placa del cerradero (2)



⑩ Tornillo de perno del cerrojo (2)



⑪ Llaves mecánicas



⑫ Plantilla de perforación



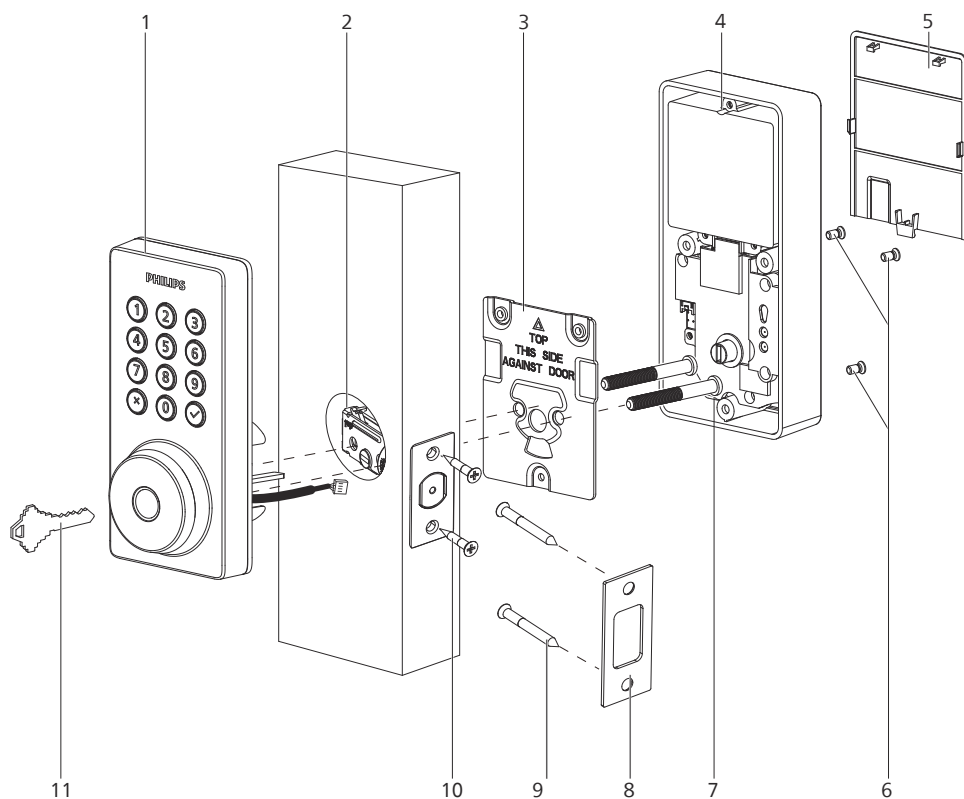
⑬ Manual del usuario



⑭ Guía de inicio rápido

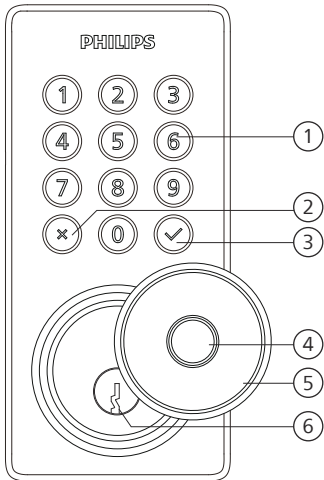
\*Se requieren 8 pilas alcalinas AA, que deben comprarse por separado.

## Vista del Ensamblaje



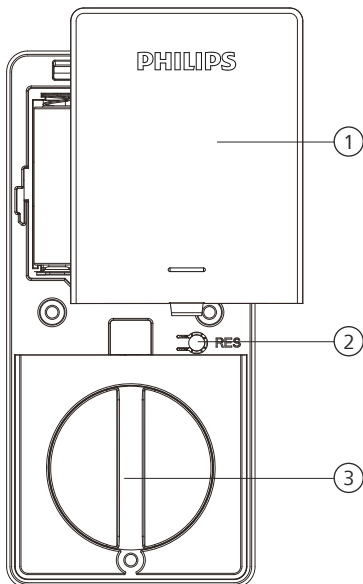
1. Ensamblaje exterior
2. Perno del cerrojo
3. Placa de montaje
4. Ensamblaje interior
5. Cubierta de la batería
6. Tornillos de ensamblaje interior (3)
7. Tornillos de placa de montaje (2)
8. Placa del cerradero
9. Tornillos de placa del cerradero (2)
10. Tornillo de perno del cerrojo (2)
11. Llaves mecánicas (2)

## Ensamblaje exterior



1	Teclado táctil
2	Botón de cancelación
3	Botón de confirmación con indicador retroiluminado
4	Sensor de huellas digitales
5	Cubierta de ojo de la cerradura
6	Ojo de la cerradura

## Ensamblaje interior



1	Cubierta de la batería
2	Botón de reinicio
3	Pasador manual

# Instalar la Cerradura

## Herramientas necesarias



Destornillador Phillips núm. 2

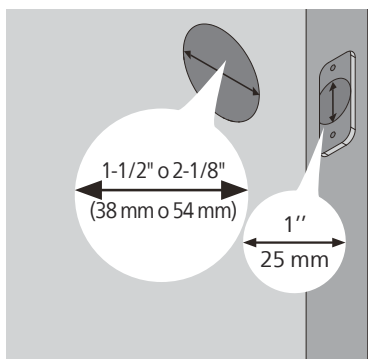


8 pilas alcalinas AA (que se compran por separado)

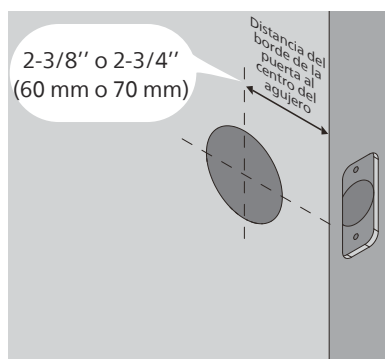
## Prepare la puerta y verifique las dimensiones

- ① Mida para confirmar que el agujero de la puerta mide  $1\text{-}1/2''$  o  $2\text{-}1/8''$  (38 mm o 54 mm).

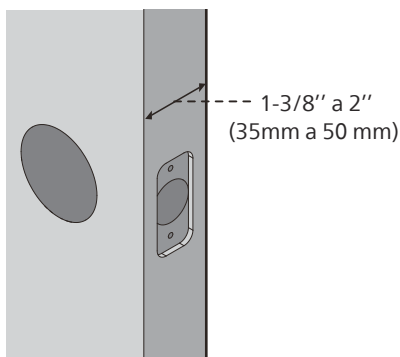
Mida para confirmar que el agujero en el borde de la puerta mide  $1''$  (25 mm).



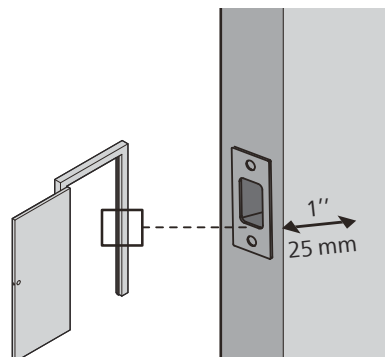
- ② Mida para confirmar que la distancia del borde de la puerta al centro del agujero es de  $2\text{-}3/8''$  o  $2\text{-}3/4''$  (60 mm o 70 mm).



- ③ Mida para confirmar que el grosor de la puerta es de  $1\text{-}3/8''$  a  $2''$  (35 mm a 50 mm).



- ④ Asegúrese de que el agujero en el marco de la puerta tenga una profundidad mínima de  $1''$  (25 mm) para que haya suficiente espacio para que el cerrojo pasador se extienda dentro del marco de la puerta al bloquear la puerta.

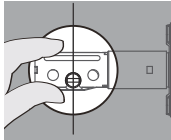
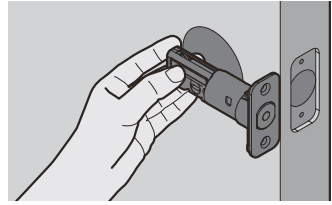


### ⚠ Atención

Asegúrese de que el marco de la puerta y la puerta estén alineados y de que no haya obstrucciones en el marco de la puerta.

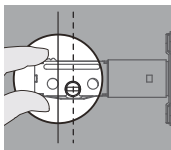
- 5) Determine la distancia del borde de la puerta al centro del agujero y ajuste el perno del cerrojo.

Sostenga el perno del cerrojo frente al agujero de la puerta, con la cara del perno del cerrojo al ras contra el borde de la puerta. ¿El agujero ranurado queda centrado en el agujero de la puerta?



**SÍ**

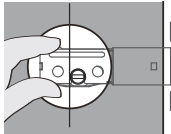
No requiere ajuste.  
Proceda al siguiente paso.



**NO**

El agujero ranurado NO está centrado.

Rote y tire del perno del cerrojo, como se muestra, para extenderlo.

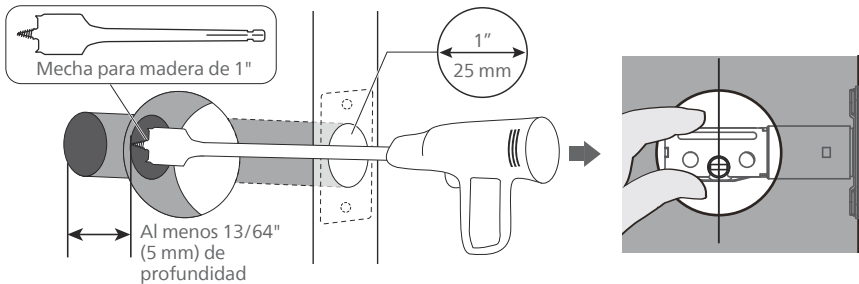
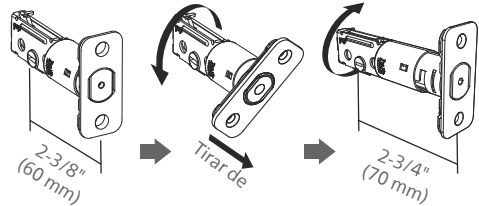


**NO**

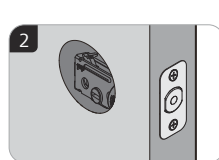
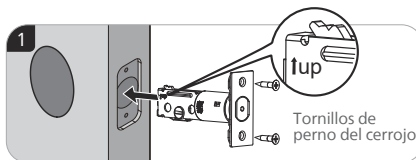
Para un agujero de perforación de 1-1/2" (38 mm), utilice una mecha de 1" (25 mm) para extender la profundidad del agujero del cerrojo al menos 13/64" (5 mm).

No es necesario extender el agujero del cerrojo para un agujero de perforación de 2-1/8" (54 mm).

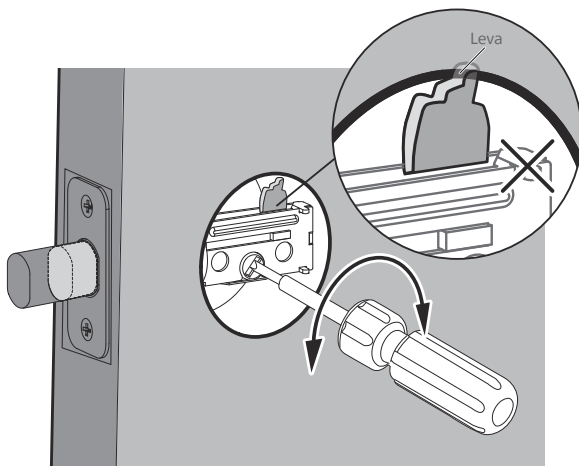
Después de extender el agujero del cerrojo, vuelva a introducir el perno del cerrojo para asegurarse de que entra correctamente.



- 6) Instale el perno del cerrojo.

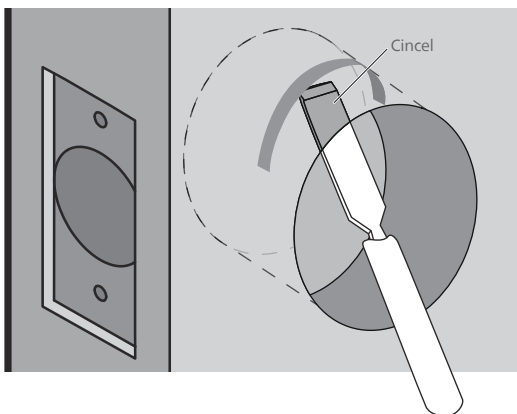


- ⑦ Instale el perno del cerrojo y rótelo con un destornillador para confirmar que rota fácilmente.

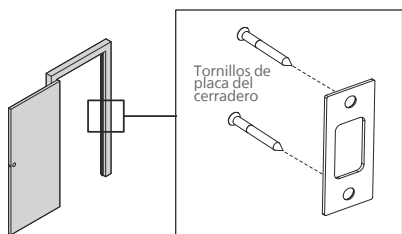


Si no rota fácilmente se debe a que el agujero de la puerta es demasiado pequeño.

Extraiga el perno del cerrojo y cincel un pequeño canal en la parte superior del agujero para que la leva del perno del cerrojo tenga espacio para rotar.



- ⑧ Instale la placa del cerradero en el marco de la puerta.



**⚠ Atención**

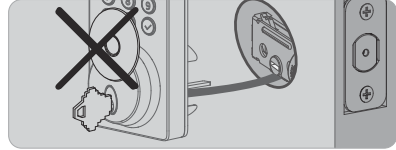
Asegúrese de que el agujero en el marco de la puerta tenga una profundidad mínima de 1" (25 mm).

## Instale el ensamblaje exterior

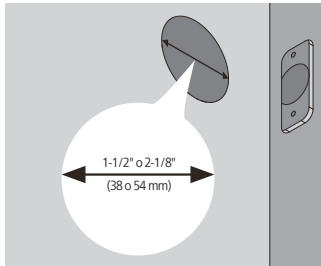
### ⚠ Atención

Antes de instalar el ensamblaje interior y exterior, asegúrese de que el perno del cerrojo esté completamente retraído (en la posición desbloqueada).

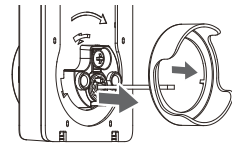
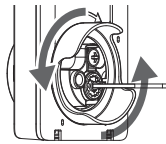
No introduzca la llave durante la instalación.



Mida el diámetro del agujero en la puerta.



**1-1/2" (38 mm)**

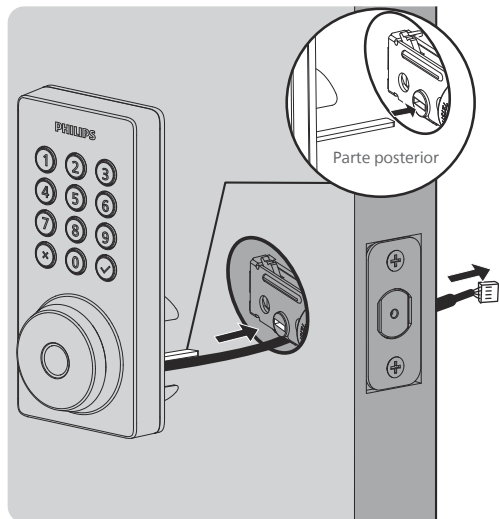


Retire el espaciador

**2-1/8" (54 mm)**

Proceda al siguiente paso

- 9 Con el perno del cerrojo completamente retraído (en la posición desbloqueada), pase el cable por debajo del perno del cerrojo e introduzca la parte posterior a través de la ranura en el perno del cerrojo.

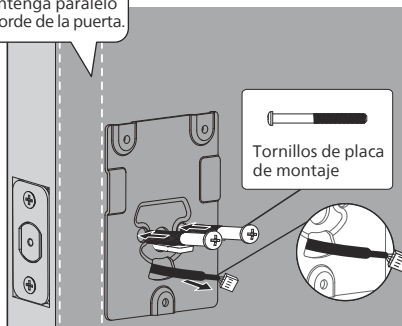


- 10 Fije la placa de montaje con los tornillos de placa de montaje. No apriete demasiado los tornillos.

**Atención**

Pase el cable a través del agujero en la placa de montaje.

Mantenga paralelo al borde de la puerta.



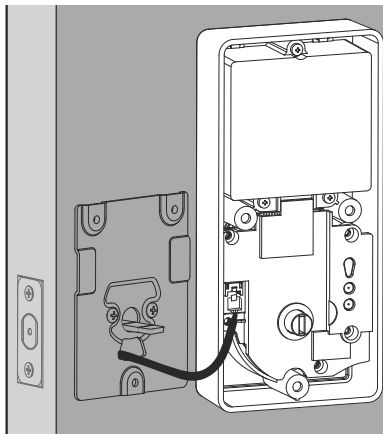
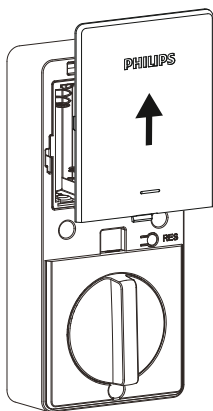
## Instale el ensamblaje interior

- 11 Empuje la cubierta de la batería hacia arriba en la dirección ilustrada.

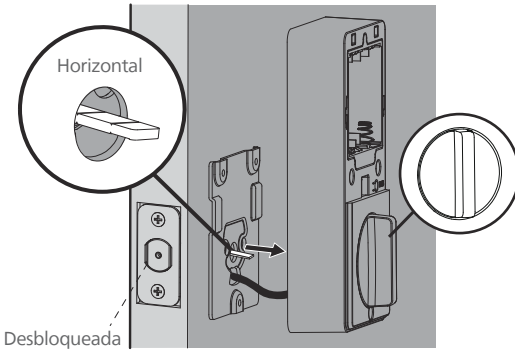
**Atención**

No coloque las pilas hasta que la cerradura esté completamente instalada.

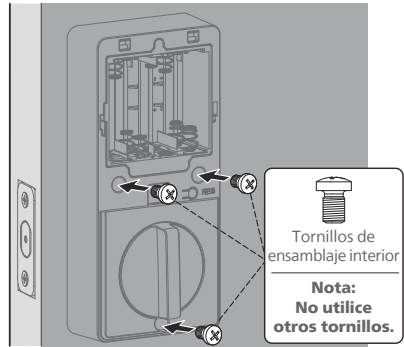
- 12 Inserte el conector del cable del ensamblaje exterior en el casquillo del ensamblaje interior. Empuje el conector firmemente hasta que quede conectado correctamente.



- 13 Mantenga el pasador manual en la posición vertical y la parte posterior en posición horizontal, e instale el ensamblaje interior.

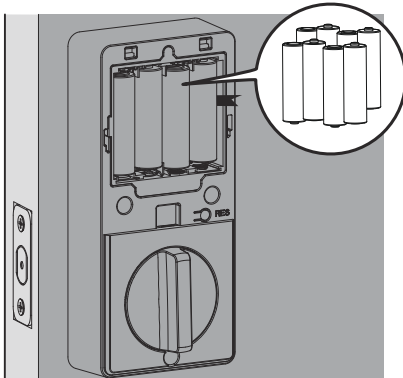


- 14 Fije el ensamblaje interior a la placa de montaje y asegúrelo con 3 tornillos de ensamblaje interior.



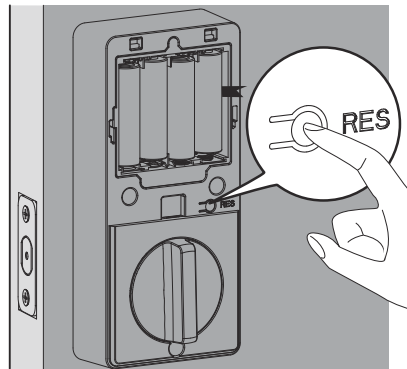
- 15 Coloque las pilas alcalinas AA según la guía de orientación dentro del compartimento para pilas.

Se requieren 8 pilas alcalinas AA, que deben comprarse por separado.



- 16 Mantenga la puerta abierta y desbloqueada. Mantenga presionado el botón de reinicio durante 5 segundos.

Mantenga presionado el botón de reinicio hasta que escuche un pitido largo y el perno del cerrojo se extienda automáticamente.



**⚠ Atención**

Asegúrese de que el cable no quede pinzado, de lo contrario la cerradura no funcionará correctamente.

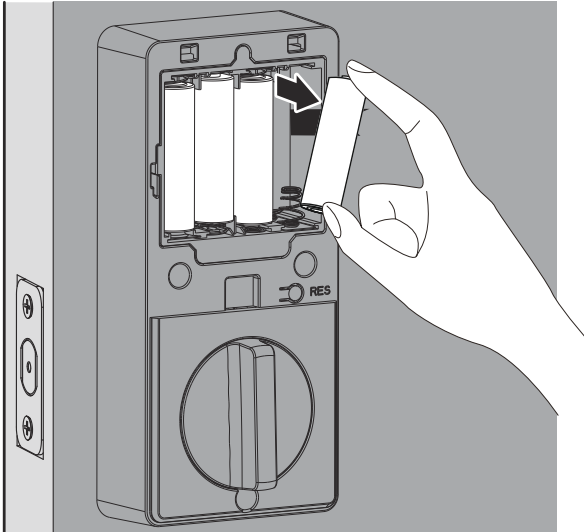
## ¿Necesita ayuda?



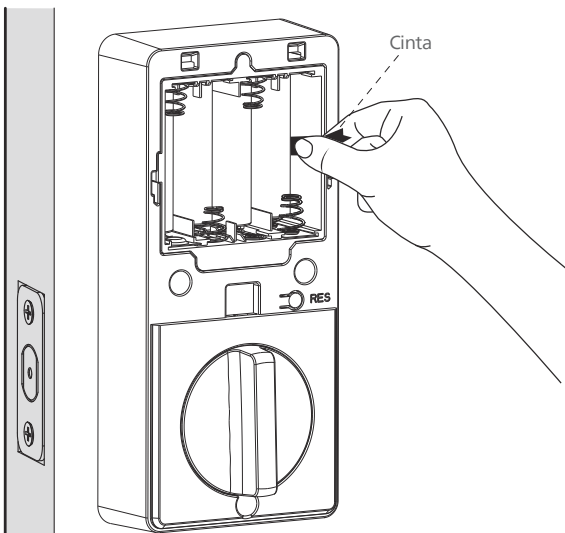
EE. UU. y Canadá +1(833)599-9111

## Retire las Pilas

- 1 Retire las 4 pilas externas de derecha a izquierda.



- 2 Tire de la cinta para quitar las 4 pilas internas de derecha a izquierda.



# 3 Configuración

## Descargar la Aplicación Philips Home Access



Home Access



Lea el código QR para descargar la aplicación Philips Home Access.

## Crear una Cuenta de Usuario

Regístrese e inicie sesión en la aplicación Philips Home Access.

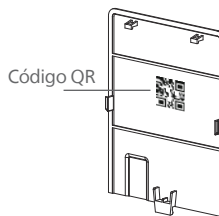


## Agregar el Dispositivo

Acerque el teléfono a la cerradura, habilite los permisos de Ubicación y Bluetooth, luego escanee el código QR en la parte posterior de la tapa de la batería para agregar el dispositivo.

### Atención

Si no se encuentra el dispositivo, asegúrese de que los permisos de la aplicación para Ubicación y Bluetooth estén habilitados para el emparejamiento.



Si falla la conexión Wi-Fi, siga estos consejos:

- Verifique si la conexión Wi-Fi es estable.
- Asegúrese de que la red sea de 2.4 GHz, ya que la cerradura solo admite 2.4 GHz. Si su enrutador es de doble banda (2.4 GHz/5 GHz), desactive la banda de 5 GHz.
- Mantenga el enrutador y la cerradura a una distancia máxima de 65 pies (20 m). Evite las paredes y fuentes de interferencia como microondas.
- Si hay demasiados dispositivos conectados a Wi-Fi, esto puede afectar la conexión de la cerradura.
- Asegúrese de que el firmware y la aplicación de la cerradura estén actualizados. Si hay una actualización disponible, aplíquela lo antes posible.

# 4 Uso

## Definiciones de las Funciones

### Atención

Si es necesario, se puede ajustar la configuración de funciones a través de la aplicación Philips Home Access.

### Código PIN Maestro

Necesario para programar y ajustar configuraciones. El código PIN maestro puede utilizarse para desbloquear la cerradura en el modo ausente y el modo de privacidad. El código PIN maestro predeterminado (12345678) debe cambiarse de inmediato, a través de la aplicación Philips Home Access, una vez finalizada la instalación. El propietario/encargado no debe revelar esta información.

### Desbloquear

Desbloquee con su huella digital, los códigos PIN, las llaves o un ligero toque en la aplicación Philips Home Access en su teléfono. Se pueden agregar huellas digitales y códigos PIN a través de la configuración de la aplicación (el registro de huellas digitales debe realizarse en la cerradura).

### Fácil de Compartir

Siga las instrucciones en la aplicación Philips Home Access para compartir el acceso con sus familiares o amistades. El acceso solo puede compartirse y aceptarse a través de la aplicación Philips Home Access.

### Registro de Actividad de la Cerradura

Ofrece un registro detallado de todas las interacciones y actividades de la cerradura como los eventos en que se bloqueó y desbloqueó y los usuarios que tuvieron acceso.

### Códigos PIN multimodo

Cree códigos PIN multimodo de forma remota a través de la aplicación Philips Home Access para diferentes necesidades, como por ejemplo, recibir invitados o solicitar un técnico de mantenimiento.

### Bloquee con un solo toque

Bloquee la puerta con solo presionar y mantener presionada cualquier tecla del teclado durante 2 segundos.

Bloquee la puerta con solo presionar " ✓ " 1 vez, sin introducir ningún código.

Bloquee la puerta con huella digital cuando el dispositivo esté desbloqueado.

### Bloqueo automática

El dispositivo se bloquea automáticamente después de ser desbloqueado. Esta función está deshabilitada de forma predeterminada. Se puede programar entre 10 y 180 segundos en la aplicación Philips Home Access.

### Modo Silencioso

Los sonidos del teclado pueden silenciarse. Sin embargo, todavía podrá oír las advertencias de batería baja y las alertas del sistema. Habilite la opción a través de la aplicación Philips Home Access.

## Modo Ausente

Esta es una función de seguridad para cuando se va de vacaciones o hace un viaje largo. El modo ausente restringe todos los códigos PIN de usuario y las huellas digitales hasta que se introduce el código PIN maestro en el teclado. Cuando se desbloquea la cerradura con el pulgar, sonará una alarma durante 1 minuto y enviará una notificación a través de la aplicación Philips Home Access.

Habilite la opción a través de la aplicación Philips Home Access.

Al introducir el código PIN maestro en el teclado o configurarlo en la aplicación Philips Home Access, puede desactivar la alarma y el modo ausente.

## Modo de Privacidad

Presione y mantenga presionado el botón de privacidad en el ensamblaje interior durante 3 segundos para activar el modo de privacidad. De este modo, se restringirá el acceso con todos los códigos PIN de usuario y las huellas digitales. El modo de privacidad se desactivará automáticamente después de desbloquear la puerta con el pasador manual o con el Código PIN Maestro.

## Reinicio de Fábrica y Configuración de Fábrica

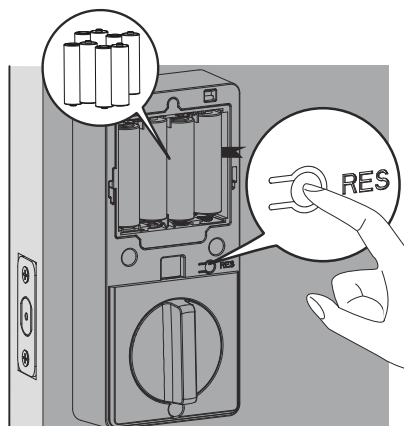
Este procedimiento elimina todas las configuraciones de usuario y red y desempareja la cerradura de las cuentas de usuarios.

También se eliminarán los datos de todos los accesorios emparejados. Restaurar la cerradura a la configuración de fábrica también activará el proceso de orientación de la cerradura.

Mantenga la puerta abierta y desbloqueada.

Mantenga presionado el botón de reinicio durante 5 segundos.

Mantenga presionado el botón de reinicio hasta que escuche un pitido largo y el perno del cerrojo se extienda automáticamente.



Función	Configuración de fábrica
Código PIN Maestro	12345678
Traba automática	Deshabilitado
Modo Silencioso	Deshabilitado
Tiempo de Apagado	3 minutos
Modo Ausente	Deshabilitado

## Tipo de acreditación y Capacidad máxima

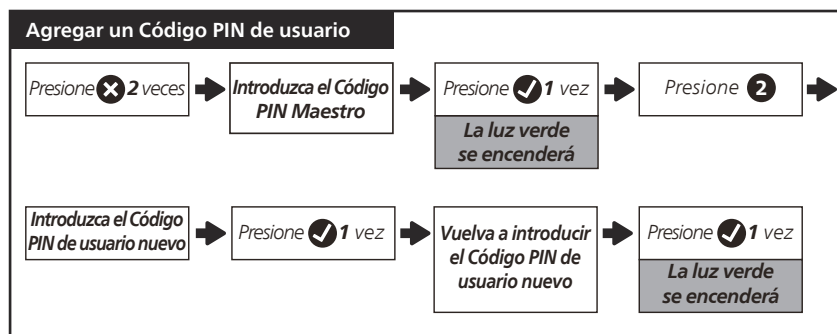
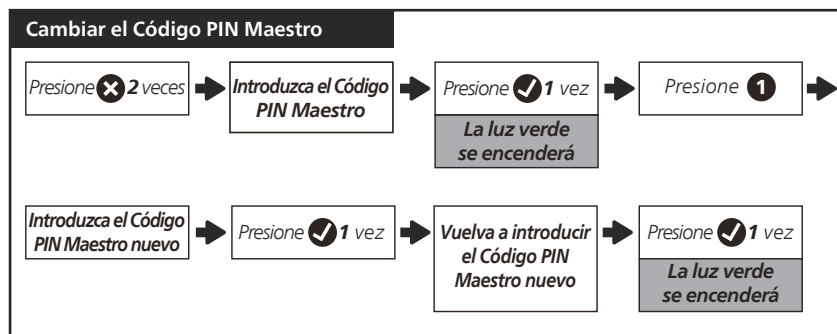
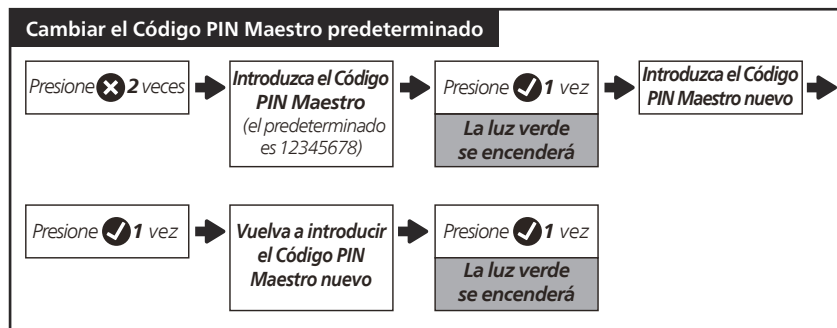
1. Código PIN Maestro (4 a 10 dígitos): El Código PIN Maestro predeterminado es 12345678. Cambie el Código PIN Maestro antes de programar otros códigos.
2. Código PIN de usuario (4 a 10 dígitos): Se pueden programar y guardar en total 100 Códigos PIN de usuario en la cerradura.
3. Huella digital de usuario: Se pueden programar y guardar 20 huellas digitales en la cerradura.

## Programar la Cerradura

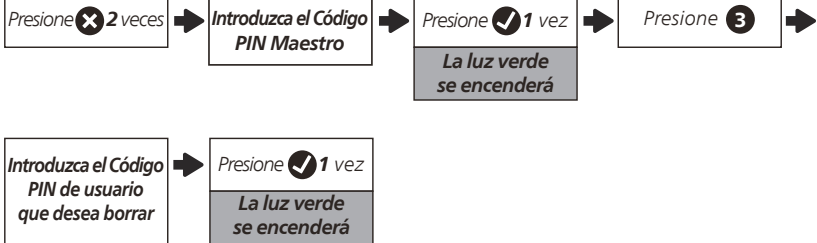
### ⚠ Atención

El Código PIN Maestro predeterminado es 12345678. Cambie el Código PIN Maestro antes de programar la cerradura. La luz indicadora parpadeará en rojo cuando no se guarde correctamente el código introducido. Si no se presiona ningún botón durante más de 10 segundos, la cerradura saldrá del modo de programación.

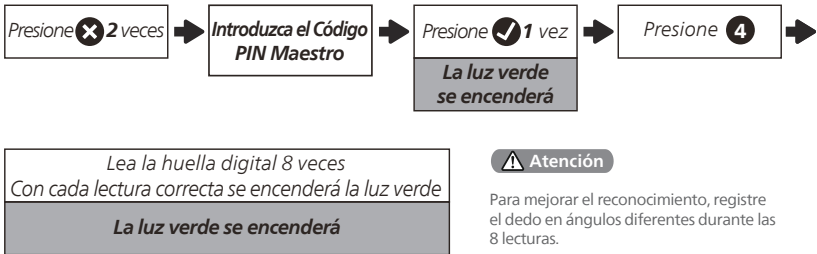
Todos los ajustes se pueden controlar fácilmente a través de la aplicación Philips Home Access, con la configuración recomendada allí.



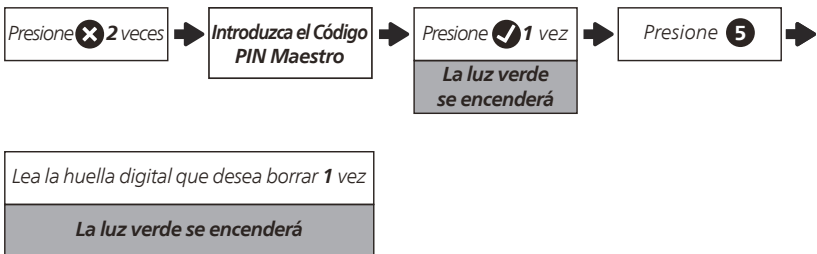
### Borrar el Código PIN de usuario



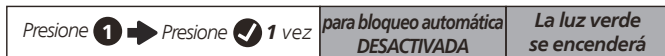
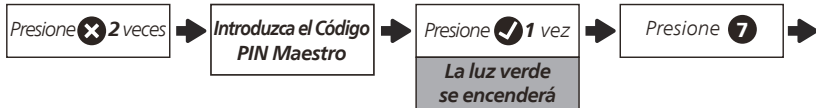
### Agregar una huella digital de usuario



### Borrar la huella digital de usuario



### Configurar la bloqueo automática programada



o



o



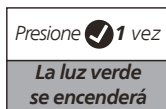
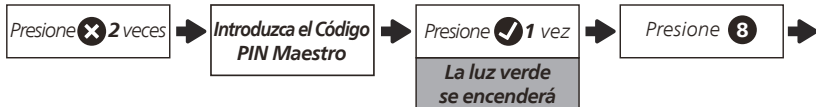
o



o



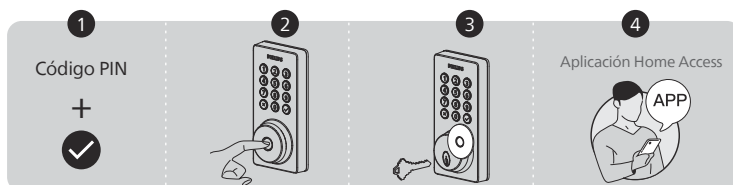
### Modo Ausente



## Bloquear y Desbloquear

### Desbloquear la Puerta Desde el Exterior

1. Desbloquear con códigos PIN.
2. Desbloquear con huella digital.
3. Desbloquear con llave mecánica.
4. Desbloquear con la aplicación Philips Home Access.



### Desbloquear la Puerta Desde el Interior

1. Rote el pasador manual hasta la posición de desbloqueo.
2. Desbloquear con la aplicación Philips Home Access.
3. Desbloquear con asistente de voz.



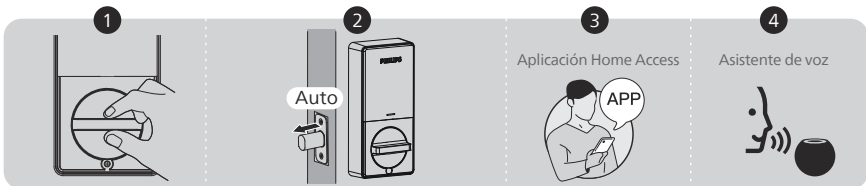
## Bloquear la Puerta Desde el Exterior

1. Mantenga presionado cualquier botón del teclado durante al menos 2 segundos para bloquear la puerta en modo manual o bloquéela presionando " ✓ " 1 vez sin ingresar ningún código.
2. En el modo de bloqueo automático, el dispositivo se bloquea automáticamente.
3. Bloquear con la aplicación Philips Home Access.
4. Bloquear con llave mecánica.
5. Bloqueo por huella digital.



## Bloquear la puerta desde el interior

1. Rote el pasador manual hasta la posición de bloqueo para bloquear el dispositivo en el Modo Manual.
2. En el modo de bloqueo automática, el dispositivo se bloquea automáticamente.
3. Bloquear con la aplicación Philips Home Access.
4. Bloqueo con asistente de voz.



# 5 Resolución de Problemas

Problema	Solución
El perno del cerrojo no funciona correctamente después de la instalación.	<ul style="list-style-type: none"> <li>◆ Asegúrese de que la distancia del borde de la puerta al centro del agujero del perno del cerrojo es la correcta. Consulte la página 58.</li> <li>◆ Antes de la instalación, asegúrese de que el perno del cerrojo esté retraído. Consulte la página 59.</li> <li>◆ Restablezca la cerradura a la configuración de fábrica e introduzca el Código PIN Maestro predeterminado para configurarla. Consulte la página 65.</li> </ul>
Después de la instalación, el perno del cerrojo hace sonidos, pero no funciona.	<p><b>Asegúrese de haber seguido las instrucciones de instalación. Vuelva a instalar y reinicie la cerradura teniendo en cuenta los siguientes consejos:</b></p> <ul style="list-style-type: none"> <li>◆ Antes de instalar el ensamblaje interior y exterior, asegúrese de que el perno del cerrojo esté completamente retraído (en la posición desbloqueada).</li> <li>◆ No introduzca la llave durante la instalación.</li> <li>◆ Asegúrese de insertar el conector del cable del ensamblaje exterior en el casquillo del ensamblaje interior correctamente.</li> <li>◆ Mantenga el ensamblaje exterior y el interior alineados y paralelos al borde de la puerta, y el perno del cerrojo paralelo al borde de la puerta.</li> <li>◆ Presione y mantenga presionado el Botón de reinicio durante al menos 5 segundos hasta que escuche una indicación de voz.</li> <li>◆ Utilice 8 pilas secas AA nuevas, no utilice pilas recargables, ni utilice pilas nuevas junto con pilas usadas.</li> </ul>
La orientación de la puerta no se activa después de colocar las pilas.	<ul style="list-style-type: none"> <li>◆ Presione el Botón de reinicio durante al menos 5 segundos hasta que escuche la indicación de tono para restaurar la cerradura a la configuración de fábrica.</li> </ul>
La cerradura gira en la dirección equivocada.	<ul style="list-style-type: none"> <li>◆ Presione y mantenga presionado el Botón de reinicio durante al menos 5 segundos hasta que escuche una indicación de voz para activar el proceso de orientación de la cerradura.</li> <li>◆ Si el reinicio no lo resuelve, es probable que la cerradura no esté instalada correctamente. Vuelva a instalar la cerradura y a reiniciarla.</li> </ul>
No se puede quitar la llave del ojo de la cerradura.	<ul style="list-style-type: none"> <li>◆ Desensamble la cerradura, después rótelas para quitar la llave y vuelva a instalar la cerradura.</li> <li>◆ No introduzca la llave durante la instalación.</li> </ul>
La cerradura solo rota si se introduce la llave.	<ul style="list-style-type: none"> <li>◆ Asegúrese de que el perno del cerrojo esté instalado correctamente. Consulte las páginas 58-59.</li> </ul>
La cerradura no se bloquea o desbloquea fácilmente al usar el pasador manual.	<ul style="list-style-type: none"> <li>◆ Confirme que los tornillos de montaje estén instalados correctamente.</li> </ul>

Problema	Solución
<p>La cerradura solo se bloqueo, pero no se desbloqueo, o el perno del cerrojo entra y sale sin control.</p>	<ul style="list-style-type: none"> <li>◆ Si la puerta se bloqueo y desbloqueo fácilmente en la posición abierta, entonces el problema está en el marco de la puerta. Asegúrese de que el agujero en el marco de la puerta tenga una profundidad mínima de 1" (25 mm) para que haya suficiente espacio para que el cerrojo pasador se extienda dentro del marco de la puerta cuando se bloqueo la puerta.</li> <li>◆ Si el problema persiste en la posición abierta, entonces el problema está en la orientación o en la instalación de la cerradura. Presione y mantenga presionado el Botón de reinicio durante al menos 5 segundos hasta que escuche una indicación de voz para reiniciar la cerradura.  Si el reinicio no lo resuelve, es probable que la cerradura no esté instalada correctamente. Vuelva a instalar la cerradura y a reiniciarla.</li> <li>◆ Si las soluciones no resuelven el problema, no dude en comuníquese con nosotros.</li> </ul>
<p>No se bloqueo.</p>	<ul style="list-style-type: none"> <li>◆ Mantenga el ensamblaje exterior y el interior alineados y paralelos al borde de la puerta.</li> <li>◆ Mantenga el perno del cerrojo paralelo al borde de la puerta.</li> </ul>
<p>No se puede cambiar el Código PIN Maestro.</p>	<ul style="list-style-type: none"> <li>◆ Cambie el Código PIN Maestro a través de la aplicación Philips Home Access.</li> <li>◆ Restablezca la cerradura a la configuración de fábrica y re programe todos los códigos PIN de usuario. Consulte la página 65.</li> </ul>
<p>No se pudo leer el código QR en el dispositivo.</p>	<ul style="list-style-type: none"> <li>◆ Lea el código QR en un ambiente bien iluminado, utilice la linterna integrada en su teléfono o intente leerlo en un ambiente con suficiente iluminación.</li> <li>◆ Asegúrese de que haya una distancia suficiente entre su teléfono inteligente y el Código QR, y asegúrese de que el Código QR estén en el centro de la pantalla de su teléfono.</li> <li>◆ La iluminación o luz solar directa puede crear reflejos que dificultarán el proceso de lectura.</li> </ul>
<p>No fue posible agregar el dispositivo a través de Bluetooth.</p>	<ul style="list-style-type: none"> <li>◆ Asegúrese de que la cerradura inteligente tenga suficiente batería y de que el teléfono esté cerca.</li> <li>◆ Verifique la configuración de Bluetooth en su teléfono y asegúrese de que esté activado.</li> <li>◆ Si tiene un dispositivo Android, habilite el servicio de ubicación.</li> </ul>
<p>No se pudo configurar la cerradura.</p>	<ul style="list-style-type: none"> <li>◆ Asegúrese de que la cerradura esté instalada correctamente.</li> <li>◆ Coloque pilas nuevas y asegúrese de que el cable no esté pinzado.</li> <li>◆ Después de la instalación, reinicie la cerradura a la configuración de fábrica para completar el proceso de configuración de la cerradura.</li> </ul>
<p>Olvidé mi Código PIN Maestro.</p>	<ul style="list-style-type: none"> <li>◆ Cambie el Código PIN Maestro a través de la aplicación Philips Home Access.</li> <li>◆ Realice un reinicio de fábrica para borrar todos los códigos PIN. Una vez completado el reinicio, se borrarán todos los códigos PIN y el Código PIN Maestro volverá a ser el Código PIN Maestro predeterminado, es decir, 12345678.</li> </ul>

Problema	Solución
No se pueden agregar huellas digitales o la huella digital no funciona.	<ul style="list-style-type: none"> <li>◆ Asegúrese de que la huella digital esté registrada y sea reconocible.</li> <li>◆ Cambie el Código PIN Maestro (12345678) antes de agregar huellas digitales.</li> <li>◆ El dedo que se va a registrar debe estar seco y limpio.</li> <li>◆ El sensor de huellas digitales debe estar seco y limpio.</li> <li>◆ Agregue varias huellas digitales con el mismo dedo.</li> <li>◆ Intente agregar huellas digitales de otros dedos.</li> <li>◆ Para mejorar el reconocimiento, registre el dedo desde ángulos diferentes y presione con más fuerza durante las 8 lecturas.</li> </ul>
Recibe alertas de batería baja.	<ul style="list-style-type: none"> <li>◆ Extraiga las pilas e inserte 8 pilas alcalinas AA nuevas.</li> </ul>
El teclado no responde.	<ul style="list-style-type: none"> <li>◆ Asegúrese de que las pilas se colocaron correctamente.</li> <li>◆ Si el indicador de batería parpadea continuamente, queda poca batería. Sustituya las pilas con 8 pilas alcalinas AA nuevas.</li> <li>◆ Asegúrese de que el cable esté conectado correctamente y no se haya dañado durante la instalación.</li> </ul>
La Traba Automática no funciona.	<ul style="list-style-type: none"> <li>◆ Si el indicador de batería parpadea continuamente, queda poca batería. Sustituya las pilas con 8 pilas alcalinas AA nuevas.</li> <li>◆ Active la función de bloqueo automática. Habilite la opción a través de la aplicación Philips Home Access.</li> </ul>
La aplicación Philips Home Access muestra que la puerta está abierta cuando la puerta está cerrada.	<ul style="list-style-type: none"> <li>◆ Vuelva a calibrar la cerradura con el sensor de posición de la puerta en la aplicación Philips Home Access.</li> <li>◆ Si después de volver a calibrar el problema no se resuelve, verifique si hay algún imán nuevo dentro del alcance de la cerradura. Si es así, quítelo.</li> </ul>

## ¿Le quedaron preguntas o necesita ayuda? Comuníquese con nosotros:



EE. UU. y Canadá +1(833)599-9111

## 6 Garantía

2 años de garantía

Esta garantía limitada se aplica a los productos Philips Home Access. Cubre defectos de materiales y mano de obra bajo un uso y condiciones normales, según lo determinado por Conex o su distribuidor autorizado.

Para más información sobre la garantía aplicable a este producto, visite <http://www.usa.philips.com> o contacte al distribuidor donde compró el producto.

# 7 Déclaration de Conformité con ISED

---

English: This device contains licence-exempt transmitter(s)/receiver(s) that comply with Innovation, Science and Economic Development Canada's licence-exempt RSS(s). Operation is subject to the following two conditions:

(1) This device may not cause interference.

(2) This device must accept any interference, including interference that may cause undesired operation of the device.

The digital apparatus complies with Canadian CAN ICES-3 (B)/NMB-3(B).

French: Cet appareil contient des émetteurs / récepteurs exemptés de licence conformes aux RSS d'Innovation, Sciences et Développement économique Canada.

L'exploitation est autorisée aux deux conditions suivantes:

(1) Cet appareil ne doit pas produire de brouillages.

(2) Cet appareil doit accepter tout brouillage, même si le brouillage est susceptible d'en compromettre le fonctionnement.

L'appareil numérique est conforme à la norme canadienne CAN ICES-3(B)/NMB-3(B).

This device meets the exemption from the routine evaluation limits in section 2.5 of RSS 102 and compliance with RSS 102 RF exposure, users can obtain Canadian information on RF exposure and compliance.

Cet appareil est conforme avec l'exemption d'évaluation de routine des limitations de la section 2.5 du CNR-102 et le CNR-102 sur l'exposition aux RF et les utilisateurs peuvent obtenir l'information canadienne sur l'exposition aux RF et la conformité.

This equipment complies with Canada radiation exposure limits set forth for an uncontrolled environment.

Cet équipement est conforme aux limites de radiation du Canada établies pour un environnement non contrôlé.

This equipment should be installed and operated with minimum distance 20cm between the radiator & your body.

Cet équipement doit être installé et utilisé à une distance minimale de 20 cm entre le radiateur et votre corps.







- EN Philips and the Philips Shield Emblem are registered trademarks of Koninklijke Philips N.V. and are used under license. This product has been manufactured by and is sold under the responsibility of Shenzhen Conex Intelligent Technology Co., Ltd. and Shenzhen Conex Intelligent Technology Co., Ltd. is the warrantor concerning this product.
- FR Philips et l'emblème du bouclier Philips sont des marques déposées de Koninklijke Philips N.V. et sont utilisés sous licence. Ce produit a été fabriqué par et est vendu sous la responsabilité de Shenzhen Conex Intelligent Technology Co., Ltd. et Shenzhen Conex Intelligent Technology Co., Ltd. est le garant concernant ce produit.
- ES Philips y su emblema de Escudo Philips son marcas registradas de Koninklijke Philips N.V. y se usan bajo licencia. Shenzhen Conex Intelligent Technology Co., Ltd. fabricó este producto que se comercializa bajo su responsabilidad y Shenzhen Conex Intelligent Technology Co., Ltd. es el garante en relación con este producto.