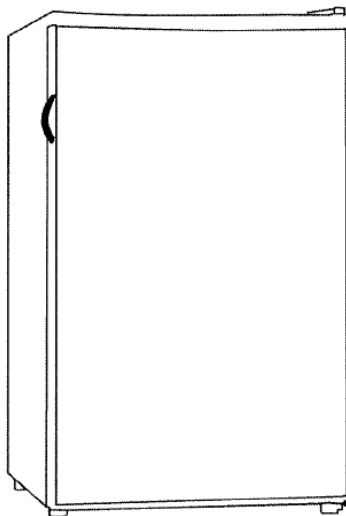




ALL FREEZER



Models:

FS407L

FS408BL

BEFORE USE, PLEASE READ AND FOLLOW ALL SAFETY RULED AND OPERATING INSTRUCTIONS

Write Model and Serial Numbers here:

Model: _____

Serial No.: _____

FELIX STORCH, INC.
An ISO 9001:2015 registered company
770 Garrison Avenue
Bronx, NY 10474
www.accucold.com

TABLE OF CONTENTS

<i>Equipment Safety</i>	3
<i>Important Safeguards</i>	3-4
<i>Location of Parts</i>	5
<i>Technical Information</i>	5
<i>Operating your Appliance</i>	6-8
<i>Before Using your Freezer</i>	6
<i>Installing your Freezer</i>	6
<i>Electrical Connection</i>	6-7
<i>Reversing the Door Swing</i>	8
<i>Door Handle Installation</i>	8
<i>Operating your Freezer</i>	9
<i>Temperature Control</i>	9
<i>Defrosting</i>	9
<i>Storing Frozen Items</i>	9
<i>Care and Maintenance</i>	10
<i>Cleaning the Freezer</i>	10
<i>Vacation Time</i>	10
<i>Moving the Freezer</i>	10
<i>Locking the Freezer</i>	10
<i>Energy-Saving Tips</i>	10
<i>Troubleshooting</i>	11
<i>Limited Warranty</i>	12

EQUIPMENT SAFETY

Your safety and the safety of others are very important.

We have provided many important safety messages in this manual and on your unit. Always read and obey all safety messages.



This is the Safety Alert Symbol. The symbol alerts you to potential hazards that can kill or injure you and others. All safety messages will follow the Safety Alert Symbol and either the words "DANGER" or "WARNING".



DANGER means that failure to heed this safety statement may result in severe personal injury or death.



WARNING means that failure to heed this safety statement may result in extensive product damage, serious personal injury, or death.

All safety messages will alert you about the potential hazard, tell you how to reduce the chance of injury, and let you know what can happen if the instructions are not followed.

IMPORTANT SAFEGUARDS



Before the equipment is used, it must be properly positioned and installed as described in this manual, so read the manual carefully. To reduce the risk of fire, electrical shock or injury when using this equipment, follow basic precautions, including the following:



- Plug into a grounded 3-prong outlet, do not remove grounding prong, do not use an adapter, and do not use an extension cord.
- Replace all panels before operating.
- It is recommended that a separate circuit serving only your unit be provided. Use receptacles that cannot be turned off by a switch or pull chain.
- Never clean the equipment parts with flammable fluids. These fumes can create a fire hazard or explosion. And do not store or use gasoline or other flammable vapors and liquids in the vicinity of this or any other pieces of equipment. The fumes can create a fire hazard or explosion.
- Before proceeding with cleaning and maintenance operations, make sure the power line of the unit is disconnected.
- Do not connect or disconnect the electric plug when your hands are wet.
- Unplug the unit or disconnect power before cleaning or servicing. Failure to do so can result in electrical shock or death.
- Do not attempt to repair or replace any part of your unit unless it is specifically recommended in this manual. All other servicing should be referred to a qualified technician.
- This unit is CFC- and HFC-free and contains a small quantity of Isobutane (R600a), which is environmentally friendly but flammable. It does not damage the ozone layer, nor does it increase the greenhouse effect. Care must be taken during transportation and setting up of the unit that no parts of the cooling system are damaged. Leaking coolant can ignite and may damage the eyes.

- In the event of any damage:
 - Avoid open flames and anything that creates a spark,
 - Disconnect from the electrical power line,
 - Air the room in which the unit is isolated for several minutes, and
 - Contact the Service Department for advice.
- The more coolant there is in a unit, the larger the room it should be installed in. In the event of a leakage, if the unit is in a small room, there is the danger of combustible gases building up. For every ounce of coolant, at least 325 cubic feet of room space is required. The amount of coolant in the unit is stated on the data plate inside the unit. It is hazardous for anyone other than an Authorized Service Person to carry out servicing or repairs to this piece of equipment.
- Take serious care when handling, moving, and using the unit to avoid either damaging the refrigerant tubing or increasing the risk of a leak.
- Replacing component parts and servicing shall be done by factory authorized service personnel so as to minimize the risk of possible ignition due to incorrect parts or improper service.

⚠ WARNING

- FOLLOW WARNING CALLOUTS BELOW ONLY WHEN APPLICABLE TO YOUR MODEL
- Use two or more people to move and install **unit**. Failure to do so can result in back or other injury.
- To ensure proper ventilation for your **unit**, the front of the unit must be completely unobstructed. Choose a well-ventilated area with temperatures above 60°F (16°C) and below 90°F (32°C). [For optimal performance, install the unit where the ambient temperature is between 72° and 78°F (23°-26°C).] This unit must be installed in an area protected from the elements, such as wind, rain, water spray or drips.
- The unit should not be located next to ovens, grills or other sources of high heat.
- The unit must be installed with all electrical, water and drain connections in accordance with state and local codes. A standard electrical supply (115 V AC only, 60 Hz), properly grounded in accordance with the National Electrical Code and local codes and ordinances, is required.
- Do not kink or pinch the power supply cord of the unit.
- The size of the fuse (or circuit breaker) should be 15 amperes.
- It is important that the equipment be leveled in order to work properly. You may need to make several adjustments to level it.
- All installations must be in accordance with local plumbing code requirements.
- Make certain that the pipes are not pinched, kinked or damaged during installation.
- Check for leaks after connection.
- Never allow children to operate, play with or crawl inside the unit.
- Do not use solvent-based cleaning agents or abrasives on the interior. These cleaners may damage or discolor the interior.
- Use this equipment only for its intended purpose as described in this *Instruction Manual*.
- Keep fingers out of the “pinch point” areas. Clearances between the door and cabinet are necessarily small. Be careful closing the door when children are in the area.

⚠ DANGER ⚠

Risk of child entrapment!

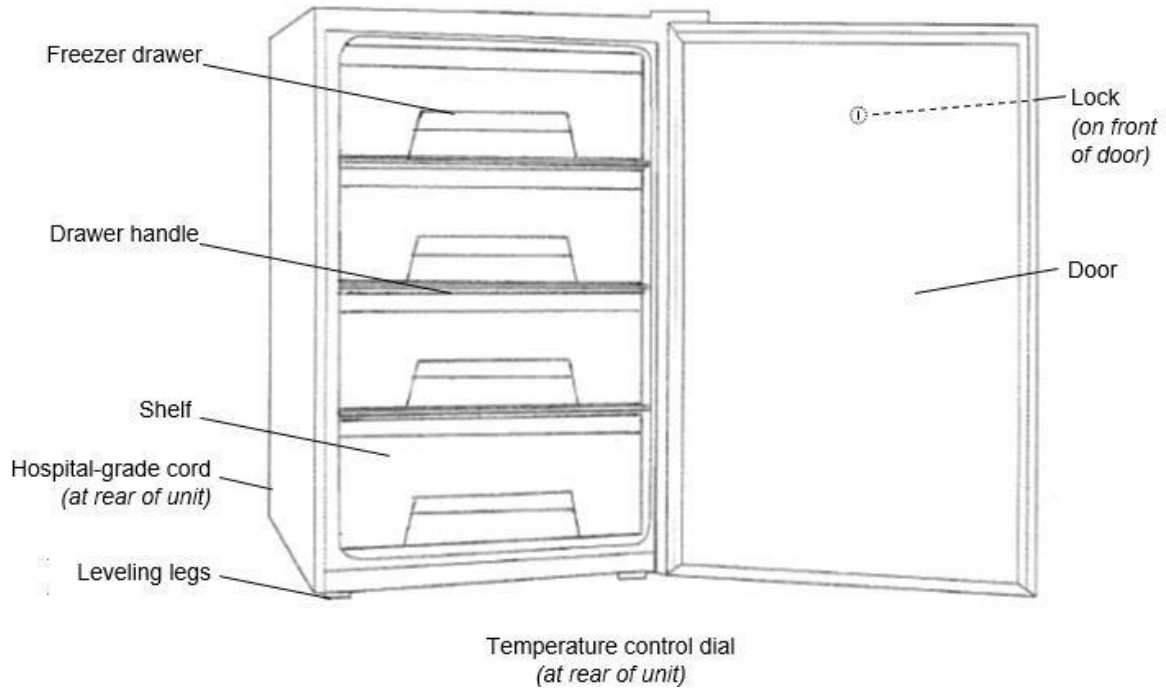
Child entrapment and suffocation are not problems of the past. Junked or abandoned appliances are still dangerous, even if they will “just sit in the garage a few days.”

Before discarding your old refrigerator:

- *Take off the doors*
- *Leave the shelves in place so that children may not easily climb inside*

- SAVE THESE INSTRUCTIONS -

LOCATION OF PARTS



TECHNICAL INFORMATION

Model	FS407L	FS408BL
Color	White	Black
Capacity	2.8 cu. ft.	2.8 cu. ft.
Electrical Input	115V AC/60Hz	115V AC/60Hz
Rated Current	1.6A	1.6A
Power Input	90W	90W
Refrigerant	R600a, 1.23 oz.	R600a, 1.23 oz.
Unit Weight	57 lbs.	57 lbs.
Unit Dimensions (W x D x H*)	19 ⁷ / ₈ " x 23 ¹ / ₄ " x 33 ¹ / ₄ "	19 ⁷ / ₈ " x 23 ¹ / ₄ " x 33 ¹ / ₄ "

*For models with suffix ADA, height is modified to 32" for use under lower counters

INSTALLATION INSTRUCTIONS

Before Using the Freezer

- Remove the exterior and interior packing.
- Check to be sure you have all of the following parts: 4 drawers, 1 handle with screws and handle seal, and 2 keys.
- Before connecting the unit to the power source, let it stand for approximately 2 hours. This will reduce the possibility of a malfunction in the cooling system from handling during transportation.
- Remove the drawers and clean them and the interior surfaces of the unit with lukewarm water using a soft cloth.

Installing the Freezer

- Place the unit on a floor that is strong enough to support the appliance when it is fully loaded. To level your unit, adjust the leveling legs at the bottom.
- Models FS407L and FS408BL are designed to be **free-standing only**, and should not be recessed or built in.
- When installing, allow at least 4 inches of space at the back and sides of the unit, which will allow the proper air circulation to cool the compressor and condenser. Be sure that airflow under the appliance is not blocked.
- Locate the unit away from direct sunlight and sources of heat (stove, heater, radiator, etc.). Direct sunlight may affect the acrylic coating and heat sources may increase electrical consumption. Extremely cold ambient temperatures may also affect the unit's performance.
- Avoid locating the unit in moist areas. Too much moisture in the air will cause frost to form quickly on the evaporator, requiring more frequent defrosting of the freezer.
- Plug the unit into an exclusive, properly installed and grounded wall outlet. Do not under any circumstances cut or remove the third (ground) prong from the power cord. Any questions concerning power and/or grounding should be directed toward a certified electrician or authorized service center.

Electrical Connection

 **WARNING**

Improper use of the grounded plug can result in the risk of electrical shock. If the power cord is damaged, have it replaced by the manufacturer, its service agent or similarly qualified persons in order to avoid a hazard.

This unit should be properly grounded for your safety. The power cord of this unit is equipped with a three-prong hospital-grade plug which mates with a standard three-prong wall outlet to minimize the possibility of electrical shock.

Do not under any circumstances cut or remove the third ground prong from the power cord supplied. For personal safety, this appliance must be properly grounded.

This unit is supplied with a hospital-grade NEMA 5-15 line cord with a ground (green dot). It requires a standard 115-volt AC/60Hz electrical outlet with 3-prong ground. It will fit exactly into either a standard household 3-prong 115V grounded outlet or a standard 115V hospital-grade receptacle. Have the wall outlet and circuit checked by a qualified electrician to make sure the outlet is properly grounded. When a standard 2-prong wall outlet is encountered, it is your responsibility and obligation to have it replaced with a properly grounded 3-prong wall outlet.

To prevent accidental injury, the cord should be secured behind the unit and not left exposed or dangling.

The unit should always be plugged into its own individual electrical outlet which has a voltage rating that matches the rating label on the appliance. This provides the best performance and also prevents overloading house wiring circuits that could cause a fire hazard from overheated wires. Never unplug the unit by pulling on the power cord. Always grip the plug firmly and pull straight out from the receptacle. Repair or replace immediately any power cord that has become frayed or otherwise damaged. Do not use a cord that shows cracks or abrasion damage along its length or at either end. When moving the unit, be careful not to damage the power cord.

Extension Cord

Do not use an extension cord with this appliance. If the power cord is too short, have a qualified electrician or service technician install an outlet near the appliance.

Reversing the Door Swing

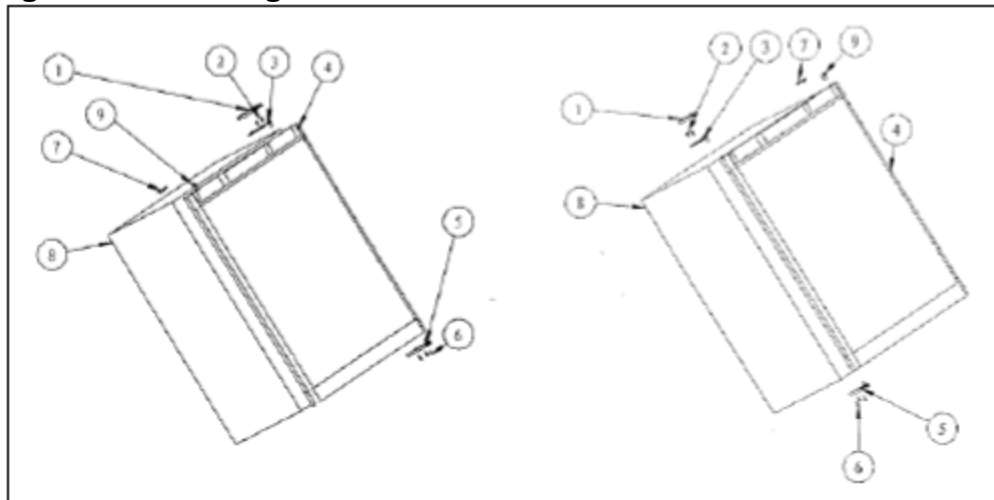


Figure 1 (Default position)

1. Upper hinge cover
2. Screws
3. Upper hinge
4. Door
5. Lower door hinge

Figure 2 (After door reversal)

6. Screws
7. Hole cover
8. Cabinet
9. Pin cap

This freezer can be opened from either the right side or the left. By default, the door hinge is on the right side. If you prefer it on the left, please follow these instructions:

NOTE: All of the parts that are removed must be kept for the reinstallation of the door.

1. Remove the three screws (6) holding lower door hinge (5). Keep hinge for later use.
2. Remove the door from the upper hinge (3), and keep the padded surface upward to prevent scratching.
3. Remove the upper hinge cover (1), remove the two screws (2), remove the upper hinge (3) and keep it for later use.
4. Remove the hole cover (7) and transfer it to the same location on the opposite side.
5. Insert the lower door hinge (5) into the left side, fixing the hinge into place by tightening all the screws (6).
6. Remove the pin cap (9) from the left side of the upper door frame and then transfer it to the same location on the opposite side.
7. Set the door on the lower door hinge (5), keep the door level, then fix the upper hinge (3) to the body (8) by the screws (2).
8. Put on the upper hinge cover (1).

NOTE: Some door styles may not be reversible. Consult our website for details

Door Handle Installation

The door has two screw holes on each side, allowing you to install a handle (included). To do so, align the handle with the screw holes on the side you prefer. Fix the handle in place with the included screws, then cover the screw heads with the handle seal (included).

OPERATING YOUR FREEZER

This freezer is designed to operate at temperatures suitable for stored pharmaceutical or medical products. It should be set to operate at -20 °C (-5 °F) which will normally be at thermostat position **3 – 4**. Use the dial to adjust temperature to the exact setting that works best. A thermometer inside the freezer can help you choose the ideal setting.

Temperature Control

- The temperature control (thermostat) is located at the rear bottom corner of the freezer.
- When you turn the unit on for the first time, be sure the thermostat is moved to a position of **1** or higher and not set to **OFF**.
- The range of the temperature control is from position **1** (warmest) to **6**. After 24 to 48 hours, adjust the temperature control to the setting that best suits your needs.

NOTE: If the unit is unplugged, has lost power, or is turned off, you must wait 3 to 5 minutes before restarting the unit. If you attempt to restart before this time delay, the freezer will not start.

Defrosting

For the most efficient operation and minimum energy consumption, defrost the freezer when the frost on the freezer walls is excessive or 1/4 inch thick.

1. To start defrosting, unplug the freezer and remove the contents and drawers. The contents should be placed in a cooler or alternate freezer to keep them from thawing.
2. Use a sponge or toweling to remove water and melting ice from the freezer floor. After the frost or ice has melted, dry the interior of the freezer thoroughly.
3. Restart the freezer by plugging it in and turning the thermostat to the desired position. Once it is cold, return the drawers and contents to the freezer.

CAUTION: Do not use boiling water to help speed up the defrosting process because this could damage the plastic parts of the unit. In addition, never use a sharp or metallic instrument to remove frost as it may damage the cooling coils and will void the warranty. We recommend using a plastic scraper.

Storing Frozen Items

- This appliance is designed for the long-term storage.
- The viability of stored items varies and the recommended storage time of a specific item should not be exceeded.
- Many products must be stored in accordance with manufacturer's stated temperature ranges and instructions.
- Place frozen items into the freezer as quickly as possible after purchase. If there are instructions on the packet, carefully follow them regarding storage times.
- Do not allow ice to build up excessively. Be sure to defrost when the ice reaches a thickness of 1/4 inch (see *Defrosting*).

CARE AND MAINTENANCE

CAUTION: Failure to unplug the unit could result in electrical shock or personal injury.

Cleaning the Freezer

1. Unplug the freezer and remove the contents and drawers.
2. Wash the inside surfaces with a solution of warm water and baking soda. The solution should contain about 2 tablespoons of baking soda to a quart of water.
3. Wash the drawers with a mild detergent solution.
4. Wash the outside cabinet with warm water and mild liquid detergent. Rinse well and wipe dry with a clean soft cloth.
5. Wring excess water out of the sponge or cloth before cleaning the area of the temperature control or any electrical parts.

Power Failure

Most power failures are corrected within a few hours and should not affect the temperature of your freezer if you minimize the number of times the door is opened. If the power is going to be off for a longer period of time, you need to take the proper steps to protect the contents.

Vacation Time

During long absences, remove all the contents. Unplug the freezer, clean it and leave the door open slightly to avoid possible formation of condensation, mold or odors.

Moving the Freezer

1. Remove all the contents.
2. Securely tape down all loose items inside the unit.
3. Turn the leveling legs up to the base to avoid damage.
4. Tape the door shut.
5. Be sure the freezer stays secure in the upright position during transportation.

Locking the Freezer

To lock or unlock the freezer, you must hold the key in the lock while turning. The lock is spring loaded, so the key cannot be left in the lock.

If the key is lost, contact your dealer or SUMMIT APPLIANCE for a replacement. Always give the model and serial number of your appliance when requesting a replacement key. Keys for most models can be ordered online at www.summitappliance.com/support.

Energy-Saving Tips

- The freezer should be located in the coolest area of the room, away from heat-producing appliances or heating ducts and out of direct sunlight.
- Let warm items cool to room temperature before placing in the freezer. Over-loading the unit forces the compressor to run longer. Items that freeze too slowly may lose quality or spoil.
- Be sure stored items are properly wrapped. Wipe containers dry before placing them in the freezer. This cuts down on frost build-up inside the unit.
- Freezer storage drawers should not be lined with aluminum foil, wax paper or paper toweling. Liners interfere with cold air circulation, making the freezer less efficient.
- Organize and label contents to reduce door openings and extended searches. Remove as many items as needed at one time, and close the door as soon as possible.

TROUBLESHOOTING

You can easily solve many problems common with a freezer, saving the cost of a possible service call. Try the suggestions below to see if you can correct the problem before calling the service provider.

Problem	Possible Cause
Freezer does not operate.	Not plugged in. The circuit breaker has tripped or the fuse has blown.
Compressor turns on and off frequently.	Room temperature is warmer than usual. A large amount of contents has been added to the freezer. The door is opened too often. The door is not closed completely. The temperature control is not set correctly. The door gasket does not seal properly. The freezer does not have the correct clearances.
Vibrations	Check to be sure the freezer is level.
The freezer seems to be making too much noise.	A rattling noise may come from the flow of refrigerant, which is normal. As each cycle ends, you may hear gurgling sounds caused by the flow of refrigerant in the freezer. Contraction and expansion of the inside walls may cause popping and crackling noises. The unit is not level.
The door will not close properly.	The unit is not level. The door was reversed and not properly re-installed. The drawers are out of position.

If you've checked the table above and find that you still need help with your appliance, call our Customer Service facility at **800-932-4267** between 9:00AM and 5:00PM ET. We will do our best to answer your questions.

CALIFORNIA CARB/SNAP DISCLOSURE

This product uses eco-friendly hydrocarbon refrigerant and fully complies with California CARB regulations.

However, we are required by California Law to provide the following disclosure statement in every product sold in California.

"This equipment is prohibited from use in California with any refrigerants on the 'List of Prohibited Substances' for that specific end-use, in accordance with California Code of Regulations, title 17, section 95374. This disclosure statement has been reviewed and approved by Felix Storch, Inc. and Felix Storch, Inc. attests, under penalty of perjury, that these statements are true and accurate."

This product does not use any refrigerants on the 'List of Prohibited Substances'"

LIMITED WARRANTY

ONE-YEAR LIMITED WARRANTY

Within the 48 contiguous United States, for one year from the date of purchase, when this appliance is operated and maintained according to instructions attached to or furnished with the product, warrantor will pay for factory-specified parts and repair labor to correct defects in materials or workmanship. Service must be provided by a designated service company. Outside the 48 states, all parts are warranted for one year from manufacturing defects. Plastic parts, shelves and cabinets are warranted to be manufactured to commercially acceptable standards, and are not covered from damage during handling or breakage.

5-YEAR COMPRESSOR WARRANTY

1. The compressor is covered for 5 years.
2. Replacement does not include labor.

ITEMS WARRANTOR WILL NOT PAY FOR:

1. Service calls to correct the installation of your appliance, to instruct you how to use your appliance, to replace or repair fuses or to correct wiring or plumbing.
2. Service calls to repair or replace appliance light bulbs or broken shelves. Consumable parts (such as filters) are excluded from warranty coverage.
3. Damage resulting from accident, alteration, misuse, abuse, fire, flood, acts of God, improper installation, installation not in accordance with electrical or plumbing codes, or use of products not approved by warrantor.
4. Replacement parts or repair labor costs for units operated outside the United States.
5. Repairs to parts or systems resulting from unauthorized modifications made to the appliance.
6. The removal and reinstallation of your appliance if it is installed in an inaccessible location or is not installed in accordance with published installation instructions.

DISCLAIMER OF IMPLIED WARRANTIES – LIMITATION OF REMEDIES

CUSTOMER'S SOLE AND EXCLUSIVE REMEDY UNDER THIS LIMITED WARRANTY SHALL BE PRODUCT REPAIR AS PROVIDED HEREIN. IMPLIED WARRANTIES, INCLUDING WARRANTIES OF MERCHANTABILITY OR FITNESS FOR A PARTICULAR PURPOSE, ARE LIMITED TO ONE YEAR. WARRANTOR SHALL NOT BE LIABLE FOR INCIDENTAL OR CONSEQUENTIAL DAMAGES. SOME STATES DO NOT ALLOW THE EXCLUSION OR LIMITATION OF INCIDENTAL OR CONSEQUENTIAL DAMAGES, OR LIMITATIONS ON THE DURATION OF IMPLIED WARRANTIES OF MERCHANTABILITY OR FITNESS, SO THESE EXCLUSIONS OR LIMITATIONS MAY NOT APPLY TO YOU. THIS WARRANTY GIVES YOU SPECIFIC LEGAL RIGHTS AND YOU MAY ALSO HAVE OTHER RIGHTS, WHICH VARY FROM STATE TO STATE.



WARNING: This product can expose you to chemicals including nickel (metallic), which is known to the State of California to cause cancer.

For more information go to www.P65Warnings.ca.gov

Note: Nickel is a component in all stainless steel and some other metallic compositions.

FELIX STORCH, INC.
An ISO 9001:2015 registered company
770 Garrison Avenue
Bronx, NY 10474
www.accucold.com

accucold[®]
For parts and accessory ordering,
troubleshooting and helpful hints, visit:
www.accucold.com/support