

SENCOR®

SWS 212

INSTRUCTION MANUAL

NÁVOD K OBSLUZE

NÁVOD NA OBSLUHU

FELHASZNÁLÓI KÉZIKÖNYV

INSTRUKCJA OBSŁUGI

EN CZ SK HU PL

**RADIO-CONTROLLED ALARM CLOCK WITH
A CURVED LED DISPLAY WITH INDOOR AND
OUTDOOR TEMPERATURE MEASUREMENT**

**RÁDIEM ŘÍZENÝ BUDÍK SE ZAKŘIVENÝM
LED DISPLEJEM S MĚŘENÍM VNITŘNÍ
A VENKOVNÍ TEPLoty**

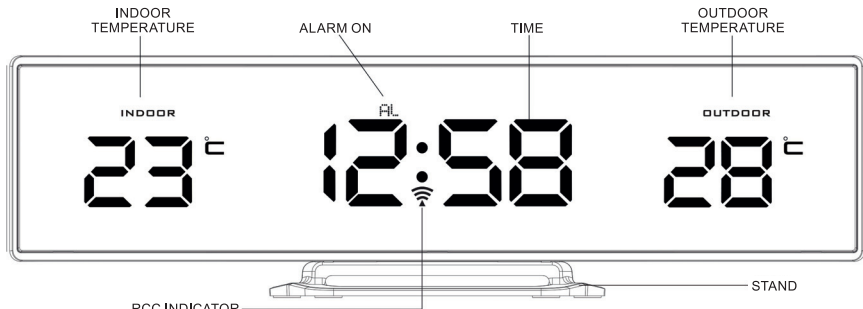
**RÁDIOM RIADENÝ BUDÍK SO ZAKRIVENÝM
LED DISPLEJOM S MERANÍM VNÚTORNEJ
A VONKAJŠEJ TEPLoty**

**ÍVELT LED-ES KIJELZŐVEL ELLÁTOTT
RÁDIÓS ÉBRESZTŐÓRA BELSŐ/KÜLSŐ
HŐMÉRSÉKLET MÉRÉSSEL**

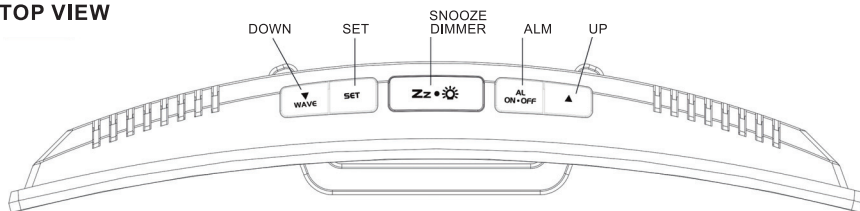
**BUDZIK STEROWANY RADIO WO Z ZAKRZYWIONYM
WYŚWIETLACZEM LED ORAZ POMIAREM
TEMPERATURY WEWNĘTRZNEJ I ZEWNĘTRZNEJ**

DESCRIPTION OF THE DEVICE

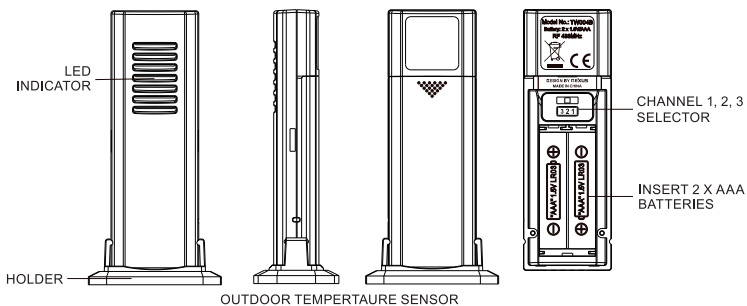
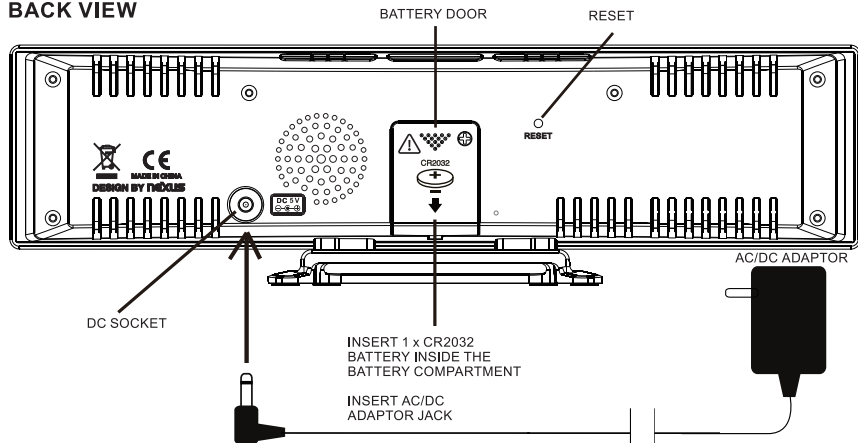
FRONT VIEW



TOP VIEW



BACK VIEW



ENVIRONMENTAL RECEPTION EFFECTS

Your radio controlled clock obtains the accurate time with wireless technology. Same as all wireless devices, the receiving ability maybe affected by, but not limited to, the following circumstances:

- Long transmitting distance
- Nearby mountains and valleys
- Among tall buildings
- Near railway, high voltage cable etc.
- Near freeway, airport, etc
- Near construction site
- Inside concrete buildings
- Near electrical appliances
- Near computers and TV's
- Inside moving vehicles
- Near metallic structures

Place your clock at a location with optimal signal, i.e. close to a window and away from metal surfaces or electrical appliances.

QUICK SETUP

Step 1 Slide open the battery cover at the back of your clock, then insert 1 x CR2032 Lithium battery to the battery compartment. Make sure +ve polarity of the battery is facing up. Then replace the battery cover.

Step 2 Insert the AC/DC adaptor to any 100–240V AC household outlet. Then insert the DC jack to the back case of your unit.

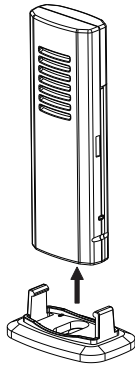
Step 3 Keep your weather station and wireless sensor next to each other. Slide open the battery cover at the back of your wireless outdoor sensor, make sure the channel selector is set at position 1 (top position), then insert 2 x AAA batteries (not included) into the outdoor sensor by observing the correct + / - polarity signs inside the battery compartment. Replace the battery door.

Your weather station will receive data signal from the outdoor sensor in few seconds. Then place your outdoor sensor in a dry and shaded area outdoor.

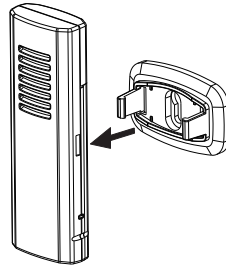
Step 4 Peel off the protective label on the front. Your weather station is ready to work for you.

Remarks:

1. Keep in mind that your outdoor sensor has a 100 feet open-air transmission with no obstructions. Actual transmission range will vary depending on what is in the path of the signal. Each obstruction (roof, walls, floors, ceilings, thick trees, etc.) will effectively cut signal range in half.
2. The thermometer only displays the temperature from one channel of the outdoor sensor.



Insert holder to the bottom for table-top display



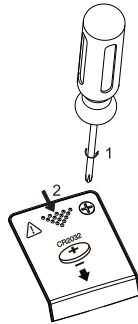
Insert holder to the back for wall mounting

Insert the holder to the bottom of the outdoor transmitter for desktop or insert it to the back of the transmitter for wall mount purpose.

Backup battery installation

Your clock requires one CR2032 lithium battery (not included) to provide backup power to the clock in the event of a temporary power interruption.


1. Place your unit face down on a flat and soft surface.
2. Use screw driver to open the backup battery compartment door located on the back of the unit.
3. Slide and remove the battery cover at the bottom of your unit.
4. Insert one new CR2032 lithium battery into the battery compartment with the "+" side facing up as indicated.
5. Close the battery compartment door and tighten the battery door screw.






Battery Back Up

When the power supply is not in use, the station will be powered by the back-up batteries. The LED display is turned off, but time and alarm time remain stored (also in the event of a power failure).

DCF SIGNAL RECEPTION AND SIGNAL INDICATOR

After your clock is powered up, it starts to receive DCF signal. The  icon flashes.

- Receiving DCF signal ( icon flashing)
- Successful Reception ( icon static)
- Failed Reception ( icon disappear)

During reception, press ▼ / **WAVE** once will display reception mode and signal strength
Indication:-

When strong DCF signal is detected, display shows with 3 bars



When weak or no DCF signal is detected, display shows



During reception, the signal strength may move from 1 bar to 2 bars to 3 bars. This is normal since the clock is detecting DCF signal and other signals in the air at the same time. Press **SET** will return to the time display with 📶 icon flashing.

Successful reception or failed reception

📶 icon becomes static (stop blinking) when reception is successful

📶 icon disappears when reception is failed

Automatic reception and Manual Reception

Your clock starts automatic reception everyday at 1:00, 2:00, and 3:00. If it fails to receive the DCF time signal at 3:00, it will start reception at 4:00. If it fails again, it will start reception at 5:00. If it fails again, it will start automatic reception at 1:00 again in the next day.

Manual reception: simply press and hold ▼ / **WAVE**, your clock will give a short beep and start manual reception. Press and hold ▼ / **WAVE** to stop DCF reception.

During RCC reception, all buttons do not function and it does not take temperature measurement. The temperature reading will get stable and become more accurate after your weather station clock is powered up for around 30 minutes.

To cancel DCF reception permanently

Press and hold ▼ / **WAVE** and ▲ at the same time for 2 seconds, your clock will give 1 short beep and the radio controlled function is permanently disabled.

To resume the radio controlled function, press and hold ▼ / **WAVE** and ▲ at the same time for 2 seconds, your clock will give 1 short beep and will start DCF immediately.

TO SET TIME

1. Press and hold **SET**, **00** flash, press ▼ / ▲ to set the time zone : **-01,00,01**.
2. Press **SET** again, hour digits flash. Press ▼ / ▲ to set the current hour. Press and hold ▼ or ▲ to accelerate setting at high speed.
3. Press **SET** again, the minute digits flash. Press ▼ / ▲ to set minutes. Press and hold ▼ or ▲ to accelerate setting at high speed.
4. Press **SET** again, display shows **:05** and flash. Press ▼ / ▲ button to set snooze duration from 5 to 60 minutes
5. Press **SET** to return to normal mode or it will return to normal mode in around 8 seconds if no further press of any other buttons.

Your clock is in 24-hour display format.

TO SET ALARM (Default alarm setting is 6:00 AM)

1. Press and hold **AL ON.OFF**, the hour digits flash with "AL" icon appears. Press ▼ / ▲ to set your desired alarm hours. Press and hold ▼ or ▲ to accelerate setting at high speed.
2. Press **AL ON.OFF** again, the minute digits flash. Press ▼ / ▲ to set your desired alarm minutes. Press and hold ▼ or ▲ to accelerate setting at high speed.
3. Press **AL ON.OFF** again or if no further press of any other buttons in around 8 seconds to exit alarm setting mode.

TO TURN ON OR OFF YOUR ALARM


Single press **AL ON.OFF** to turn on or off the alarm. When the alarm function is turned on, the **AL** icon appears on top of the time digits.

TO USE SNOOZE ALARM (DEFAULT SNOOZE DURATION IS 5 MINUTES)


When time reaches your set alarm time, your clock will sound to wake you up. The **AL** icon will flash.

Press **Zz** +  once to stop the alarm temporarily, **AL** icon keeps flashing. The alarm will beep again in 5 minutes or after your set snooze duration.

TO STOP AND RESET THE ALARM TO COME ON THE NEXT DAY

To stop the daily alarm, press any button EXCEPT the **Zz** +  when alarm is beeping. The alarm will stop and **AL** icon becomes static; alarm will beep again same time next day.

IF YOU LOSE THE OUTDOOR TEMPERATURE

When the outdoor temperature digits show "--", the wireless transmission is either interrupted or lost. At normal display, press and hold  button of the weather station, or re-insert the batteries on the outdoor transmitter. If you continue to lose the outdoor temperature display, try placing the transmitter in a different location until you have smooth transmission of temperature data.

TO USE THE DIMMER FUNCTION

Press **Zz** +  once to adjust the High / Low brightness of the display.

TROUBLE SHOOTING

In case your clock shows irrelevant information or digits, it maybe affected by electrostatic discharge or interferences from other devices. Press the RESET button of the unit and re-insert the batteries on the outdoor transmitter.

CARE OF YOUR WEATHER STATION

1. Do not expose the unit to extreme temperature, water or direct sunlight
2. Avoid contact with any corrosive materials
3. Do not subject the unit to excessive force, dust or humidity
4. Do not open the inner back case or tamper with any components of this unit
5. If the unit is not to be used for a prolonged period, such as a month or longer, remove the batteries to prevent possible corrosion. Should the battery compartment become corroded or dirty, clean the compartment thoroughly and replace the batteries.

BATTERIES SAFETY WARNING

1. Danger of explosion if battery is incorrectly replaced.
2. Replace only with the same or equivalent type.
3. Battery shall not be exposed to excessive heat such as sunshine, fire or the like.
4. Do not ingest the battery, chemical burn hazard.
5. This product contains a coin/button cell battery. If the coin/button cell battery is swallowed, it can cause severe internal burns in just 2 hours and can lead to death.
6. Keep new and used batteries away from children.
7. If the battery compartment does not close securely, stop using the product and keep it away from children.
8. If you think batteries might have been swallowed or placed inside any part of the body, seek immediate medical attention.

SPECIFICATIONS

Operation Temperature:	0°C to + 45°C
DCF Radio Controlled Clock	
Alarm Duration	2 minutes
Snooze Duration	5-60 minutes
Temperature measuring range:	
Indoor:	0°C to +50°C
Outdoor:	-25°C to +70°C
Display shows	HH / LL if out of this range
Temperature Resolution	1°C
Transmission frequency:	433 MHz
Transmission range:	up to 30 m in open space without interference
Power source	
Main unit:	power adapter AC 100–240V/ 50–60Hz - DC 5V, 1.2A
Backup power supply:	battery 1 x 3V type CR2032 (not included)
Outdoor sensor:	2 x 1.5V type AAA batteries
Dimensions of the alarm:	253 x 71 x 45 mm, weight 180 g (without batteries)
Dimensions of the sensor:	50 x 103 x 32 mm, weight 31 g (without batteries)

INSTRUCTIONS AND INFORMATION REGARDING THE DISPOSAL OF USED PACKAGING MATERIALS

Dispose of packaging material at a public waste disposal site.

DISPOSAL OF USED ELECTRICAL AND ELECTRONIC APPLIANCES



The meaning of the symbol on the product, its accessory or packaging indicates that this product shall not be treated as household waste. Please, dispose of this product at your applicable collection point for the recycling of electrical & electronic equipment waste. Alternatively in some states of the European Union or other European states you may return your products to your local retailer when buying an equivalent new product. The correct disposal of this product will help save valuable natural resources and help in preventing the potential negative impact on the environment and human health, which could be caused as a result of improper liquidation of waste. Please ask your local authorities or the nearest waste collection centre for further details. The improper disposal of this type of waste may fall subject to national regulations for fines.

For business entities in the European Union

If you wish to dispose of an electrical or electronic device, request the necessary information from your seller or supplier.

Disposal in other countries outside the European Union

If you wish to dispose of this product, request the necessary information about the correct disposal method from local government departments or from your seller.

Changes to the text, design and technical specifications may occur without prior notice and we reserve the right to make these changes.



The product meets EU requirements.

Hereby, FAST ČR a.s. declares that the radio equipment type SWS 212 is in compliance with Directive 2014/53/EU.

The full text of the EU declaration of conformity is available at the following internet address:
www.sencor.eu

SENCOR®

EN Warranty conditions

Warranty card is not a part of the device packaging.

This product is warranted for the period of 24 months from the date of purchase to the end-user. Warranty is limited to the following conditions. Warranty is referred only to the customer goods using for common domestic use. The claim for service can be applied either at dealer's shop where the product was bought, or at below mentioned authorized service shops. The end-user is obligated to set up a claim immediately when the defects appeared but only till the end of warranty period. The end user is obligated to cooperate to certify the claiming defects. Only completed and clean (according to hygienic standards) product will be accepted. In case of eligible warranty claim the warranty period will be prolonged by the period from the date of claim application till the date of taking over the product by end-user, or the date the end-user is obligated to take it over. To obtain the service under this warranty, end-user is obligated to certify his claim with duly completed following documents: receipt, certificate of warranty, certificate of installation.

This warranty is void especially if apply as follows:

- Defects which were put on sale.
- Wear-out or damage caused by common use.
- The product was damaged by unprofessional or wrong installation, used in contrary to the applicable instruction manual, used in contrary to legal enactment and common process of use or used for another purpose which has been designed for.
- The product was damaged by uncared-for or insufficient maintenance.
- The product was damaged by dirt, accident of force majeure (natural disaster, fire, and flood).
- Defects on functionality caused by low duality of signal, electromagnetic field interference etc.
- The product was mechanically damaged (e.g. broken button, fall).
- Damage caused by use of unsuitable media, fillings, expendable supplies (batteries) or by unsuitable working conditions (e.g. high temperatures, high humidity, quakes).
- Repair, modification or other failure action to the product by unauthorized person.
- End-user did not prove enough his right to claim (time and place of purchase).
- Data on presented documents differs from data on products.
- Cases when the claiming product cannot be indentified according to the presented documents (e.g. the serial number or the warranty seal has been damaged).

Authorized service centers

Visit www.sencor.eu for detailed information about authorized service centers.