



EN ■ User Manual

CZ ■ Uživatelská příručka

SK ■ Používateľská príručka

HU ■ Felhasználói kézikönyv

PL ■ Podręcznik użytkownika

CD/USB RADIO CASSETTE PLAYER

**RADIOMAGNETOFON
S CD/USB PŘEHRÁVAČEM**

**RÁDIOMAGNETOFÓN
S CD/USB PREHRÁVAČOM**

**RÁDIÓS MAGNETOFON CD/USB
LEJÁTSZÓVAL**

**RADIOMAGNETOFON
Z ODTWARZACZEM CD/USB**

IMPORTANT: Please read before using and retain for future reference.

IMPORTANT NOTES

INTRODUCTION

- Thank you for buying our product.
- Please read through these operating instructions, so you will know how to operate your equipment properly. After you finished reading the instructions manual, put it away in a safe place for future reference.

WARNING

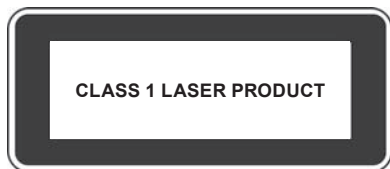
To prevent fire or shock hazard, do not expose this appliance to rain or moisture. To avoid electrical shock, do not open the cabinet; refer servicing to qualified personnel only.

CAUTION

Use of controls or adjustment or performance of procedures other than those specified herein may result in hazardous radiation exposure.

DANGER

Invisible laser radiation when open and interlock failed or defeated. Avoid direct exposure to beam.



This Compact Disc player is classified as a Class 1 LASER PRODUCT. THE CLASS 1 LASER PRODUCT label is located on the rear exterior.

- Avoid installing the unit in locations described below:
 1. Places exposed to direct sunlight or close to heat radiating appliance such as electric heaters, on top of other stereo equipment that radiate too much heat.
 2. Places lacking ventilation or dusty places.
 3. Places subject to constant vibration.
 4. Humid or moist places.
- Operate turning controls and switches as instructed in manual.
- Before turning on the power for the first time, make sure that the power cord is properly installed.
- Store your tapes or CD in a cool area to avoid damage from heat.

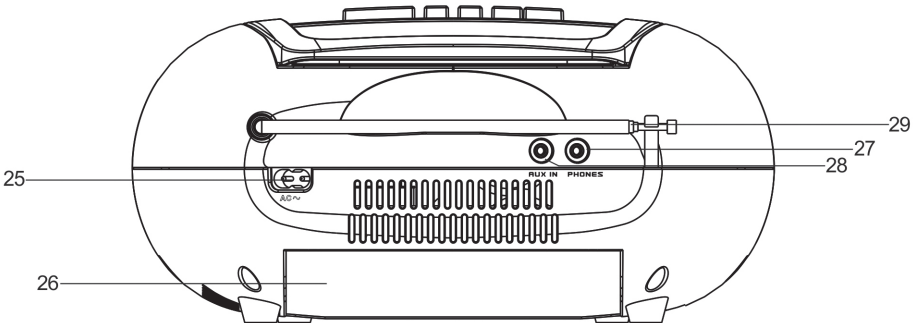
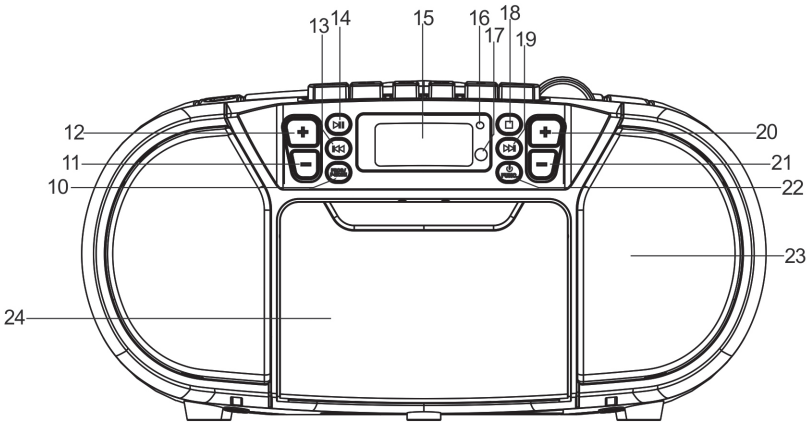
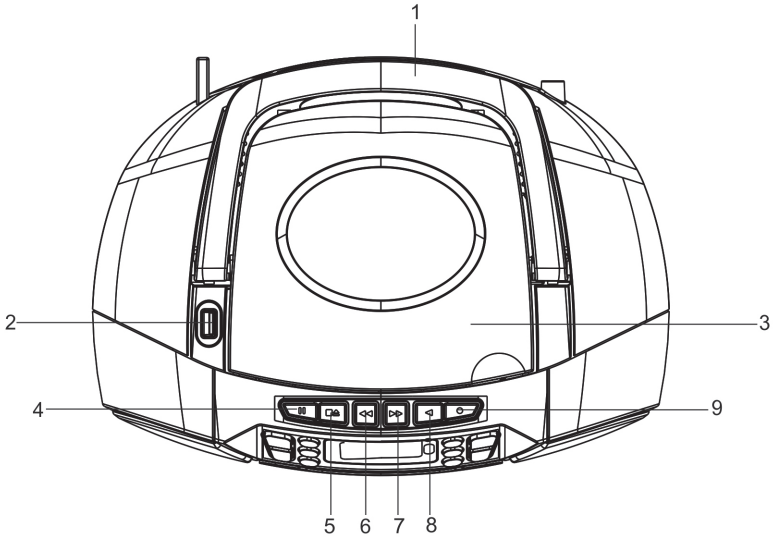
CAUTION:

TO REDUCE THE RISK OF ELECTRIC SHOCK, DO NOT REMOVE COVER (OR BACK). NO USER SERVICEABLE PARTS INSIDE, REFER SERVICING TO QUALIFIED SERVICE PERSONNEL.

WARNING:

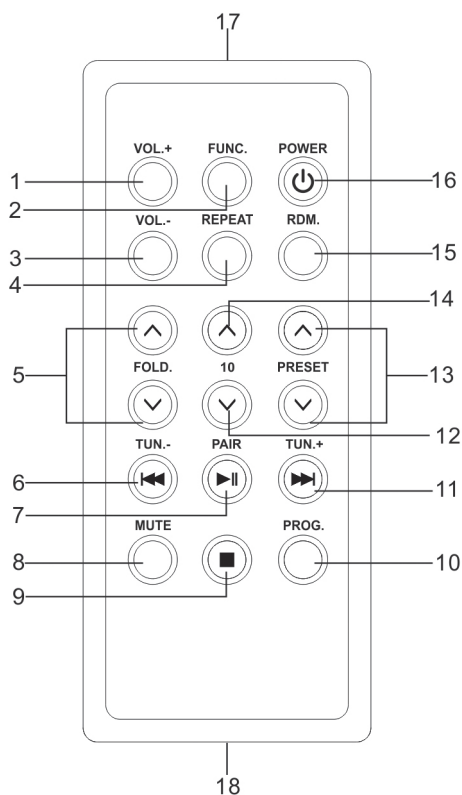
Remove batteries if exhausted or if they will not be used again for a long period.

- The incorrect use of batteries can cause electrolyte leakage and will corrode the compartment or cause the batteries to burst, therefore:
- Do not mix battery types, e.g. alkaline with zinc carbonate.
- When inserting new batteries, replace all batteries at the same time.



NAMES OF CONTROLS

1. FOLDING HANDLE
2. USB PORT
3. CD DOOR COMPARTMENT
4. CASSETTE PAUSE KEY
5. CASSETTE STOP/EJECT KEY
6. CASSETTE FAST FORWARD KEY
7. CASSETTE REWIND KEY
8. CASSETTE PLAY KEY
9. CASSETTE RECORD KEY
10. PROG./P-MODE BUTTON
11. 10/FOLD./M.- BUTTON
12. 10/FOLD./M.+ BUTTON
13. ◀◀ BUTTON
14. PLAY/PAUSE/PAIR BUTTON
15. LCD DISPLAY
16. STANDBY INDICATOR
17. IR INDICATOR
18. STOP BUTTON
19. ▶▶ BUTTON
20. VOLUME+ BUTTON
21. VOLUME- BUTTON
22. FUNCTION/STANDBY BUTTON
23. SPEAKER
24. CASSETTE DOOR
25. AC SOCKET
26. BATTERY COMPARTMENT
27. PHONE JACK
28. AUX IN JACK
29. FM TELESCOPIC ANTENNA



REMOTE HANDSET

1. VOL+
2. FUNCTION
3. VOL-
4. REPEAT
5. FOLDER UP & DOWN
6. PREVIOUS/REVERSE and TUN-
7. PLAY/PAUSE/PAIR
8. MUTE
9. STOP
10. PROG.
11. NEXT/FORWARD and TUN+
12. -10
13. PRESET UP & DOWN
14. +10
15. RDM.
16. STANDBY (POWER)
17. Remote transmitter
18. Battery compartment

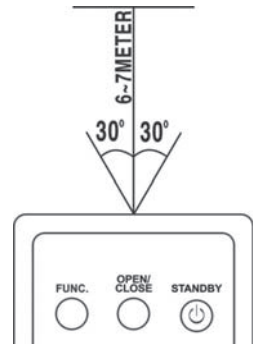
Note:

Please remove the plastic protector from the battery compartment before using for the first time.

REMOTE CONTROL OPERATION

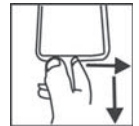
To operate the unit with the remote control, point the **remote transmitter** [17] of the remote control at the IR sensor on the front display panel of the unit. Press the buttons on the remote control to use it.

The remote works best at a distance of no further than 5 meters and within 30 degrees to either side of the sensor. Bright sunlight or other lighting conditions in the room can interfere with the remote control. If remote operation is unsatisfactory or stops working entirely, try using a new battery in the remote or try darkening the room.



REPLACING THE REMOTE CONTROL BATTERY

- The remote control includes one CR2025 (3V) lithium battery. Remove the plastic protector from the battery compartment before using the remote for the first time.
- To replace the battery, gently push the clasp to the right and then slide the battery compartment tray out. Remove the old battery and install a new lithium battery (type CR-2025) in the tray. The positive side of the battery should face up.
- Slide the tray back into the compartment until the clasp clicks into place.



POWER SOURCE

This unit is designed to be operated on AC/DC.

AC OPERATION

Plug the tail of AC power cord into AC socket on unit and the plug into household AC wall outlet. The batteries will be automatically disconnected.

DC OPERATION

Open the BATTERY COMPARTMENT DOOR. Install 6 pcs UM-1/D size batteries (not included) into compartment. Please follow correct polarities as indicated.

CAUTION

- Remove batteries if they are exhausted or long time use.
- Batteries contain chemical substances, so they should be disposed of properly.

BASIC FUNCTION

SWITCHING ON THE UNIT

After connecting the power, press STANDBY/FUNC. button to turn on the unit, then press the STANDBY/FUNC. button again to choose CD /USB/ TAPE or FM mode.

NOTE:

In CD/USB/MP3/AUX mode, when the unit is not providing the main function for 15 minutes, the unit will automatically switch into standby mode. In the tape mode, only the tape stops for 15 minutes, the unit will automatically switch into standby mode. To turn on the unit again, press „ STANDBY/FUNC.“ button or replug the unit.

ESD hints – The product maybe reset or not reset to operation of control due to electrostatic discharge, just switch off and reconnect again.

TO ADJUST VOLUME

Press VOL.+/- button to increase or decrease volume.

HEADPHONE JACK

For private listening, connect a 3.5mm headphone (not included) to the HEADPHONE jack. The SPEAKER will be automatically disabled.

CAUTION:

LISTENING AT A HIGH VOLUME OVER A LONG PERIOD IS NOT GOOD FOR YOUR EARS.

USING THE RADIO

TUNING IN RADIO STATIONS

1. Press the STANDBY/FUNC. button to choose radio mode: FM mode.
2. Tune to the desired station by pressing ►► or ◀◀ button, the station frequency will show on the display.
3. Press the VOL.+/- button to adjust the volume to a comfortable level.
4. To optimize reception when listening to stations on the FM band, extend the telescopic antenna to its full length. Gently move the unit back and forth to get the best reception when you are listening to FM program, or place the unit in an open place. When the stereo signal is received, the ST. show on the display.

AUTO PRESET MEMORY / SCAN

To search for and automatically save stations to preset memory, press and hold the **PLAY/PAUSE** button. Any station with a strong enough signal will be saved to preset memory.

After the unit finishes scanning, the unit will automatically tune to preset station number 1 (P01).

To tune to the next or previous preset station, press **M.+/M.-** button to go to next or previous preset station.

MANUAL PRESET MEMORY OPERATION

You may pre-store 30 radio stations in memory for your preference.

1. Tune to the desired station that you want to save as a preset by pressing ►► or ◀◀ button.
2. Press the **PROG.** button on unit, PROG indicator will flash and “P01” will show on the display to indicate that you are saving the station as preset memory 01, to change the preset memory sequence, press **M.+** or **M.-** button., then press **PROG.** button on unit again to enter.
3. Search another station, repeat steps (1) & (2) until all desired stations stored. Up to 30 FM stations can be programmed.
4. To tune to the next or previous preset station, press **PROG.** button first, then press **M.+** or **M.-** button immediately to go to next or previous preset station.

USING THE CASSETTE

UNDERSTANDING THE BUTTONS

PLAY – Press to play cassettes.

REWIND – From stop mode, press to rewind the tape toward the beginning.

F.FWD – From stop mode, press to advance the tape toward the end.

STOP/EJ. – Press to stop current tape activity or to open the cassette compartment door when no buttons are active.

PAUSE – Press to interrupt tape play or record mode. Press the second time to resume tape play or tape record mode.

PLAYING A CASSETTE TAPE

1. Press the STANDBY/FUNC. button to Choose TAPE mode.
2. Press STOP/EJ. Key to open the cassette compartment door.
3. Insert cassette tape into the compartment with the open edge facing up and the full reel on the right.
4. Close the door securely.
5. Press REWIND or F.FWD to move tape to the desired starting point.
6. Press PLAY key to begin playing the tape.
7. Adjust the volume to your desired listening level.

AUTOMATIC STOP FEATURE

When the cassette deck is operating in play or record mode and the end of the tape is reached, the unit automatically shuts itself off and returns all buttons to the off position.

RECORDING FROM THE RADIO

1. Load a blank tape into the tape compartment and close the door.
2. Set the FUNCTION switch to RADIO; Tune to required station by rotating the TUNING KNOB.
3. Press RECORD key to begin recording. RECORD key and PLAY key go down simultaneously.
4. Press STOP/EJ. Key to end recording.
5. To hear what you recorded, follow instructions in PLAYING A CASSETTE TAPE.

NOTE:

PAUSE FOR A MOMENT – Using the PAUSE key on the cassette deck instead of the STOP/EJ. Key to momentarily interrupt recording gives you a much clear recording. Press PAUSE key again to resume recording.

RECORDING FROM CD

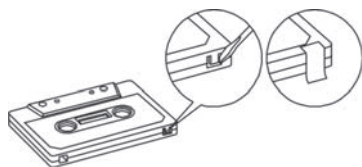
1. Insert a blank cassette tape into the tape compartment.
2. Slide the FUNCTION switch to CD/AUX position.
3. Load a CD and select the desired track you want to record.
4. Press CD PLAY/PAUSE button to start playback. Press RECORD key to begin recording. RECORD key and PLAY key go down simultaneously.
5. Press PAUSE key to interrupt or edit recording. Press it again to resume recording.
6. Press STOP/EJ. Key to end recording.
7. To hear what you recorded, follow instructions in PLAYING A CASSETTE TAPE.

TYPES OF CASSETTE

Use only good quality cassettes (IEC TYPE 1) for making recordings. May be used to replay other types of cassette but is unable to make proper recording on these more specialized tapes. The use of C120 cassettes is NOT recommended in this machine.

PROTECTING RECORDING

Normally, anything recorded on the tape is automatically erased when new recording is made. It is possible to protect your recording from accidental erasure by removing the tabs found on the rear of the cassette.



ERASE TAB FOR SIDE "A"

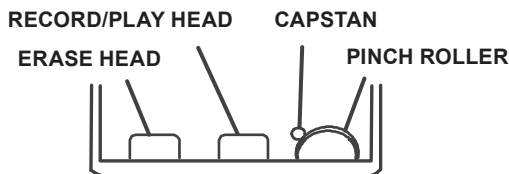
When the cassette is held with the recorded side upper-most and exposed tape facing the front, the protective tab will be found on the left rear of the cassette.

All pre-recorded cassette are protected in this way to prevent accidental erasure of the commercial recording. "Protected" cassette will prevent the record button from being operated. If at any time you attempt to record and find that this button will not depress, never force the mechanism or it may be damaged. Check that a cassette has been loaded and that tab has not been removed.

Recording on a cassette from which the tabs have been removed can be done by covering the tab openings with a piece of adhesive tape.

CARE OF CASSETTE MECHANISM

Gently clean the tape head and pinch wheel/capstan assemblies after every 10 hours of using the unit. A range of cassette care products are available.



The erase head and record/play head and the surface of the pinch roller are delicate and must not be touched with metal objects such as screwdrivers. You may find it easier to clean the assembly by pressing the PLAY button to bright head and pinch roller into view. Be sure to press the STOP button after cleaning the mechanism.

Damage to the pinch wheel can occur if the unit is left in PLAY mode with the power switch off. Under no circumstances should you attempt to lubricate any part of the machine.

CD/MP3 OPERATION

Discs for Playback

This system can playback all digital audio CD, MP3, WMA finalized digital audio CD-Recordable (CD-R) discs, finalized digital audio CD-Rewritable (CD-RW) discs and CD-DA format digital audio CD/CD-R/CD-RW discs.

LOADING A DISC

1. Press the STANDBY/FUNC. button to choose CD mode.
2. Open the CD door. "OPEN" will be shown on the display.
3. Place an audio CD into the tray with the label side facing up.
4. Close the CD door. The total number of tracks will appear on the display after reading finished.

5. To remove the CD, press STOP BUTTON and open CD compartment lid, grasp the CD by its edges, and carefully take it out.

Note:

1. To ensure good system performance; wait until the disc tray completely reads the disc before proceeding.
2. If no disc is loaded into the compartment, or the disc is placed upside down, the display will show **NO DISC**.

PLAYING A DISC

After loading the disc, the unit starts playback automatically.

1. The playback starts from track 1, the "Track 01" indicator is shown on the display.
To interrupt playback, press the PLAY/PAUSE button. The "current playing time" indicator will flash on the display.
To resume playback, press the PLAY/PAUSE button again.
2. To stop playback, press the STOP button, the total number of tracks appears on the display.

SELECTING A DESIRED TRACK/PASSAGE

To select a desired track

- Press the **◀◀ / ▶▶** button repeatedly in stop mode or during play until the desired track appears on the display.
- Press the PLAY/PAUSE button to start play.

To search for a particular passage during playback (track scanning at high speed)

Press and hold the **◀◀ / ▶▶** button to scan the current playing track at high speed until desired passage appears, and then release the button. Playback will start again from this point.

To select a song which track number exceeds 10(for MP3 disc only)

To select a song/track which number exceeds 10, Press the 10/FOLD./M.+ or 10/FOLD./M.- button each time to skip forward/backward 10 tracks, then press the **▶▶** or **◀◀** button to select desired track. For example: to select the 17th track, press 10/FOLD./M.+ button, and then the **▶▶** button six times immediately.

To Select A Desired Folder(for MP3 disc only)

(if the MP3 disc contains more than one folder)

To skip to the desired folder during playback, press and hold the 10/FOLD./M.+ or 10/FOLD./M.- button for about 2 seconds to skip to next/previous folder.

PROGRAM TRACKS

Programming tracks of disc are possible when playback is stopped. Up to CD 20 tracks /MP3 99 tracks can be stored in the memory in any order.

1. In stop mode, press the PROG. /P-MODE button, the **P01** indicator will be on.
2. Press the CD **▶▶** or **◀◀** button to select the first desired track to be programmed.
3. Press the PROG./P-MODE button to enter. The display changes to show **P02**.
4. Repeat steps 2 & 3 to store other desired tracks until all tracks are programmed.
5. Press the PLAY/PAUSE button to start playback from the first programmed track.
6. Press the STOP button to stop program playback.

To Erase the Memory (Program)

To clear the program, you have two options:

1. Press the STOP button when the disc is stopped, and
2. Open the CD compartment lid, program will be erased.

REPEAT

You can play one track or all tracks on the disc repeatedly.

To Repeat a Single Track

1. Press **PROG./P-MODE** button once in play, the REP indicator will flash on the display. The current track will be played over and over again till you press STOP button.
2. To cancel repeat play, press **PROG./P-MODE** button until the REP indicator disappears.

To repeat all the Tracks

1. Press **PROG./P-MODE** button twice in play, the REP indicator will show steady on the display, all tracks on the disc will be played over and over again till you press STOP button.
2. To cancel repeat play, press **PROG./P-MODE** button until the REP indicator disappears.

To repeat current folder (for MP3 only)

1. Press **PROG./P-MODE** button in play mode, till the “REP-ALBUM” shows steady on the display, the current folder will be played repeatedly until the STOP button is pressed.
2. To cancel Repeat function, press the **PROG./P-MODE** button until the “REP-ALBUM” disappear on the LCD display.

RANDOM PLAY

Press the **PROG./P-MODE** button in Play/Stop mode to activate random playback, the RDM indicator will show on the display, playback will start from any one track (not in the order of the disc). To cancel the RANDOM, press the **RDM** button again.

USB OPERATION

1. Press the **STANDBY/FUNC.** button to choose USB mode.
2. Connect the USB to the USB INPUT. The LCD will show the total number of tracks and folders stored in the USB. After reading the USB (The unit can support up to 32G USB device), the unit will start playback automatically.
3. Press the **■** button on unit to stop playing. The display will show total number of USB and folders and STOP.
4. Proceed repeat play (repeat 1- repeat folder – repeat all-INTRO)/program play/skip up and back operation as the same described in above “CD/MP3 OPERATION”.

CAUTION:

Do not use any USB extension cable for connecting the USB bar which may cause harmful interference

BLUETOOTH OPERATION

1. Press the **FUNC.** button on unit or on remote control to switch to BLUETOOTH function, the LCD will display “bt” and the Pair/Standby indicator will flash at high speed.
2. Turn on the Bluetooth function on the device, scan the unit “**SPT 3907**” and connect, then input the password 0000 if required the display will show “bt”. Press **▶II/PAIR** button on the unit or play key on the device to start playback. If the unit can't connect the relative Bluetooth within 2 minutes, press the **▶II/PAIR** button on unit or PAIR key on remote control to reconnect.
3. Press the **VOLUME +/-** button to your desired level.
4. Press **▶▶I** button or **I◀◀** on the unit or **▶▶I** key on remote control to choose the desired track.
5. To stop playback, press **▶II/PAIR** button on unit or **▶II** key on remote control.

Note: The Bluetooth works best within 10 meters.

AUX IN OPERATION

This unit provides a 3.5mm AUX IN jack, through this jack other audio sources can be connected to this unit and be amplified.

1. Press the STANDBY/FUNC. button to choose AUX mode.
2. Connect the audio cable into the AUX IN jack and the other end connects to the AUDIO OUT jack of the external audio source.
3. Adjust the volume of the main unit to your desired level.
4. Press PLAY of the external audio source (eg. MP3 player) to start playback.

SPECIFICATIONS

GENERAL

Power Requirement	AC 100–240 V~60/50 Hz DC 9V UM-1 × 6 PCS
Power consumption	14 W
Standby power consumption	<0,5W
Automatic standby time	15min (in case of no playback source)
Weight	Approx. 1.7 kg
Dimensions	Approx. 280 mm (W) × 210 mm (D) × 140 mm (H)
Operation temperature	+5–35 °C

RECEIVER SECTION

FM Frequency Range	87.5–108 MHz
--------------------	--------------

COMPACT DISC SECTION

Optical Pickup	3–Beam Laser
Frequency Response	100 Hz–16 KHz

CASSETTE SECTION

Bias System	DC Bias
Frequency Response	125 Hz–4 kHz
Wow and Flutter	0.4 % WRMS (JIS)

AUDIO SECTION

Power output	2 Watts × 2 (RMS)
--------------	-------------------

Bluetooth	V5.0
-----------	------

ACCESSORIES

Instruction Booklet	1
AC Cord	1
Remote control	1

This device has a power saving function that automatically turns off or switch to standby if no button is pressed for a certain period of time under certain operating conditions. If this function is disabled, power consumption will increase.

Note:

Specifications are subject to change for continuous improvement, therefore, we reserve the rights to those modifications without prior notice.

INSTRUCTIONS AND INFORMATION REGARDING THE DISPOSAL OF USED PACKAGING MATERIALS

Dispose of packaging material at a public waste disposal site.



DISPOSAL OF USED ELECTRICAL AND ELECTRONIC APPLIANCES

The meaning of the symbol on the product, its accessory or packaging indicates that this product shall not be treated as household waste. Please, dispose of this product at your applicable collection point for the recycling of electrical & electronic equipment waste. Alternatively in some states of the European Union or other European states you may return your products to your local retailer when buying an equivalent new product. The correct disposal of this product will help save valuable natural resources and help in preventing the potential negative impact on the environment and human health, which could be caused as a result of improper liquidation of waste. Please ask your local authorities or the nearest waste collection centre for further details. The improper disposal of this type of waste may fall subject to national regulations for fines.

For business entities in the European Union

If you wish to dispose of an electrical or electronic device, request the necessary information from your seller or supplier.

Disposal in other countries outside the European Union

If you wish to dispose of this product, request the necessary information about the correct disposal method from local government departments or from your seller.



The product meets EU requirements.

Hereby, FAST ČR, a.s. declares that the radio equipment type SPT 3907 is in compliance with Directive 2014/53/EU. The full text of the EU declaration of conformity is available at the following internet address: sencor.com

Changes to the text, design and technical specifications may occur without prior notice and we reserve the right to make these changes.

The original version is in the Czech language.

Address of the manufacturer:

FAST ČR, a.s., U Sanitasu 1621, Říčany CZ-251 01

SENCOR®

EN Warranty conditions

Warranty card is not a part of the device packaging.

This product is warranted for the period of 24 months from the date of purchase to the end-user. Warranty is limited to the following conditions. Warranty is referred only to the customer goods using for common domestic use. The claim for service can be applied either at dealer's shop where the product was bought, or at below mentioned authorized service shops. The end-user is obligated to set up a claim immediately when the defects appeared but only till the end of warranty period. The end user is obligated to cooperate to certify the claiming defects. Only completed and clean (according to hygienic standards) product will be accepted. In case of eligible warranty claim the warranty period will be prolonged by the period from the date of claim application till the date of taking over the product by end-user, or the date the end-user is obligated to take it over. To obtain the service under this warranty, end-user is obligated to certify his claim with duly completed following documents: receipt, certificate of warranty, certificate of installation.

This warranty is void especially if apply as follows:

- Defects which were put on sale.
- Wear-out or damage caused by common use.
- The product was damaged by unprofessional or wrong installation, used in contrary to the applicable instruction manual, used in contrary to legal enactment and common process of use or used for another purpose which has been designed for.
- The product was damaged by uncared-for or insufficient maintenance.
- The product was damaged by dirt, accident of force majeure (natural disaster, fire, and flood).
- Defects on functionality caused by low duality of signal, electromagnetic field interference etc.
- The product was mechanically damaged (e.g. broken button, fall).
- Damage caused by use of unsuitable media, fillings, expendable supplies (batteries) or by unsuitable working conditions (e.g. high temperatures, high humidity, quakes).
- Repair, modification or other failure action to the product by unauthorized person.
- End-user did not prove enough his right to claim (time and place of purchase).
- Data on presented documents differs from data on products.
- Cases when the claiming product cannot be indentified according to the presented documents (e.g. the serial number or the warranty seal has been damaged).

Manufacturer:

FAST ČR, a.s., U Sanitasu 1621, Říčany 251 01, Czech Republic
info@sencor.com

Authorized service centers:

Visit www.sencor.com for detailed information about authorized service centers.

The original version of the instructions is in the Czech language, other language versions are made by the appropriate translation.

FAST ČR, a.s., U Sanitasu 1621, Říčany CZ-251 01