



---

# USER MANUAL

---

Curved Glass Rangehood

**Model CK90CGNF**

## **IMPORTANT**

This rangehood is for domestic applications. It is not suitable for commercial applications of any kind. Do not install the rangehood if there is any doubt. Contact Glem Gas Australasia if you require clarification.

This rangehood must be installed by a skilled installer in accordance with the installation instructions and the relevant standards.

We will not service an incorrectly installed rangehood.

Retain these instructions for future reference.

SERVICE 1 300 307 917

Dear Customer,

By following the recommendations contained in this Instruction Manual, our appliance will give you constant high performance and will remain efficient for many years to come.

### **Product Specification & Technical Parameters**

Model	CK90CGNF
Rated Voltage	240V
Rated Power Frequency	50Hz
Light Power	2x2W
Motor Power	230W
Total Power	234W
Motor	1
Diameter of Outlet Adapter	150mm
Dimension (mm)	W900 X D500 X H568 - 948

### **RECOMMENDATIONS AND SUGGESTIONS INSTALLATION**

- The manufacturer will not be held liable for any damages resulting from incorrect or improper installation.
- Read this instruction manual before installing & using the range hood.
- Please keep this instruction manual in a safe place for future reference.
- Only a qualified and trained service technician can undertake the work of installation and servicing.
- Check that the main voltage corresponds to the one indicated on the rating plate fixed inside the hood.
- If the hood is used in conjunction with non-electrical appliances (e. g. gas burning appliances), a sufficient degree of ventilation must be guaranteed in the room in order to prevent the backflow of exhaust gas. The kitchen must have an opening directly with the open air in order to guarantee the entry of clean air.
- The minimum distance is 750mm from the range hood to a gas hob, and is 650mm to an electric hob. If the installation instructions for gas hobs specify a greater distance, this must be considered.

**NOTE:** Two or more people are required to install or move this appliance. Failure to do so can cause physical injuries.

### **USING THE RANGEHOOD**

- The rangehood has been designed only for internal domestic use.
- Never use it for purposes other than what it has been designed for.
- Never leave high naked flames under the hood when it is in operation.
- Adjust the flame intensity to direct it onto the bottom of the pan only; making sure that it does not engulf the side of the pan.
- Deep fryer fat must be continuously monitored during use: overheated oil can burst into flame.
- The hood shouldn't be used by persons not instructed in its use .

### **MAINTENANCE**

- Proper ongoing cleaning and maintenance of the range hood will assure proper performance of the unit.
- Disconnect the rangehood from the main electrical supply before carrying out any maintenance work.
- Clean the stainless steel filters and replace the activated charcoal filters (if fitted) after a specified period of time.
- Clean the hood using a damp cloth and a neutral liquid detergent or warm water.

### **WARNING!!**

In certain circumstances electrical appliances may be a danger hazard.

- Do not check the status of the filters while the cooker hood is operating
- Do not touch the light bulbs after appliance use
- Do not disconnect the appliance with wet hands..
- Avoid free flame, as it could damage the filters and create a fire hazard
- Constantly monitor any food being deep fried to avoid overheated oil becoming a fire hazard
- Disconnect the electrical plug prior to any maintenance or servicing.
- Children using the rangehood must be under the supervision of adults.

**TO REDUCE THE RISK OF FIRE, ELECTRIC SHOCK, OR INJURY TO PERSONS, OBSERVE THE FOLLOWING:**

- a) Installation work and electrical wiring must be done by qualified person(s) in accordance with all applicable codes and standards, including fire-rated construction.
  - b) Sufficient air is needed for proper combustion and exhausting of gases through the flue (chimney) of fuel burning equipment to prevent back drafting.
  - c) When cutting or drilling into wall or ceiling, do not damage electrical wiring and other hidden utilities.
  - d) Ducted fans must always be vented to the outdoors.
- Don't use this product outdoors.
  - This appliance is not intended for use by persons (including children) with reduced physical, sensory or mental capabilities, or lack of experience and knowledge, unless they have been given supervision or instruction, concerning use of the appliance by a person responsible for their safety. Children should be supervised to ensure that they do not play with the appliance.
  - There shall be adequate ventilation of the room when the range hood is used at the same time as appliances burning gas or other fuels.
  - There is a fire risk if cleaning is not carried out in accordance with instructions.
  - The exhaust air must not be discharged into a flue which is used for exhausting fumes from appliances burning gas or other fuels.

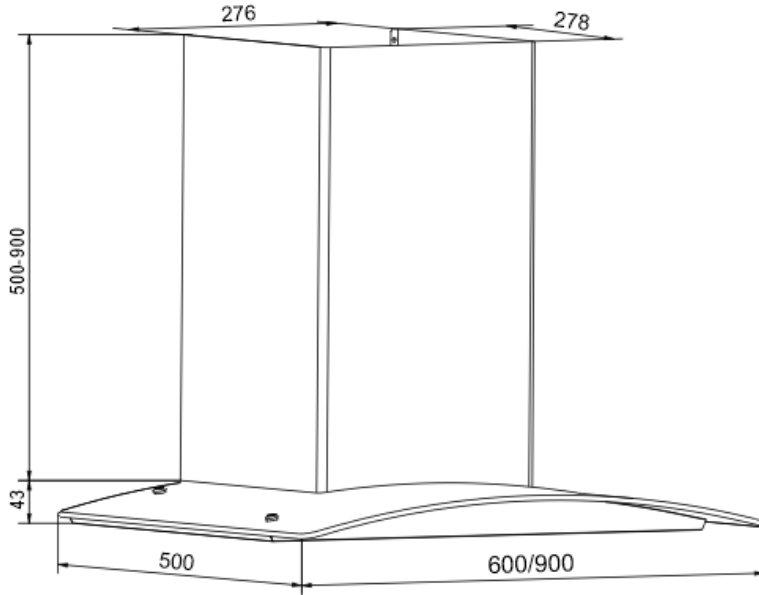
**STAINLESS STEEL BAFFLE FILTERS**

The filters should be cleaned frequently. Use a warm detergent solution. Grease filters are washable.

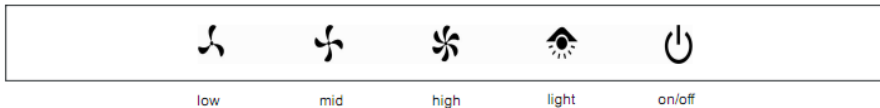
See "INSTALL FILTERS" section for removal and installation instructions.

## PHYSICAL CHARACTERISTICS

### DIMENSIONS



### INSTALLATION & USE OPERATION OF CONTROLS



The hood is operated using the Touch control on the front panel.

The on/off switch turns the hood on and off.

The light switch turns the lamps on and off.

The blower switch turns the blower on to three speed settings:

0 - OFF

1 - LOW SPEED

2 - MEDIUM SPEED

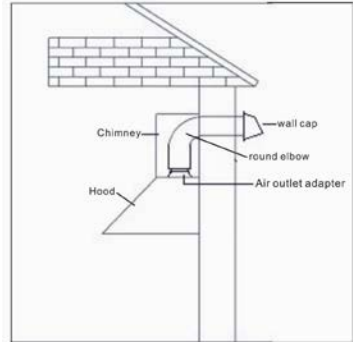
3 - HIGH SPEED

## INSTALLING THE DUCT WORK

### (DUCTED HOODS ONLY)

Caution: To reduce the risk of fire, metal ductwork is preferred.

1. Decide where the ductwork will run between the hood and the outside.
2. A straight, short duct run will allow the hood to perform most efficiently.
3. Long duct runs, elbows, and transitions will reduce the performance of the hood. Use as few of them as possible. Larger ducting may be required for best performance with longer duct runs.
4. The air must not be discharge into a flue that is used for exhausting fumes from appliances burning gas or other fuels" "Regulations concerning the discharge of air must be fulfilled.
5. Install a wall/ceiling cap. Connect round metal ductwork to cap and work back towards hood location. Use duct tape to seal the joints between ductwork sections.



## ELECTRICAL INSTALLATION

Electrical wiring must be done by a qualified person(s) in accordance with all applicable codes and standards. This range hood must be properly grounded. Turn off electrical power at the switchboard before wiring.

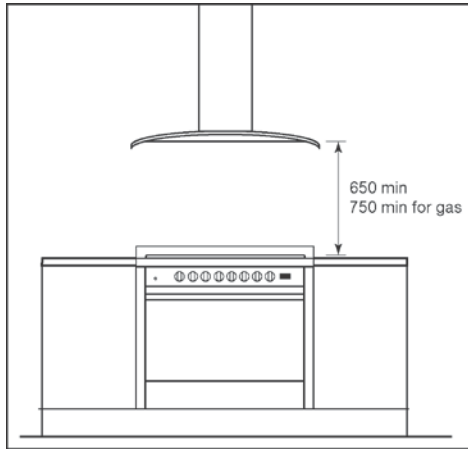
If the supply cord is damaged, it must be replaced by the manufacturer, its service agent or similarly qualified persons to avoid a hazard.

## INSTALLING THE RANGEHOOD

Note 1 : Carefully remove the plastic protective film from all exterior surfaces of the hood and chimney prior to final installation.

Note 2: At least two people will be required to mount the hood.

## LOCATING THE RANGEHOOD



The minimum hood distance above the cooktop must not be less than 650mm.

A maximum height of 750mm above the cooktop is recommended for the most efficient extraction of cooking odors.

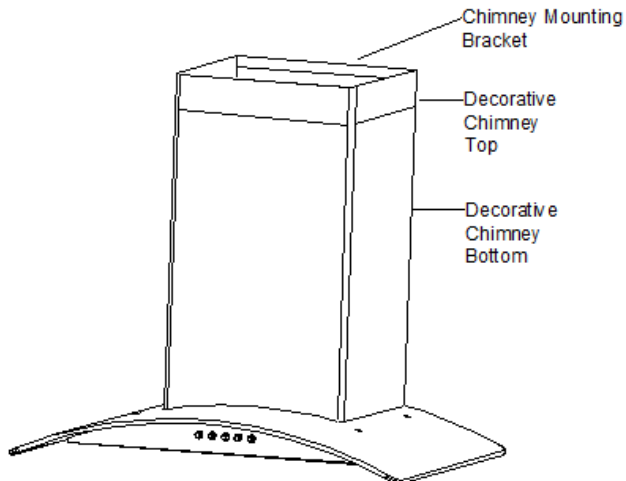
Installations greater than 750mm above the cooktop are at the installer's and user's discretion - providing that ceiling height and flue length permit.

1. There is a 1:1 installation hole position diagram for this model. It makes the installation easier. Drill the holes according to diagram.
2. Secure the hood mounting bracket to the wall using two mounting screws and dry wall anchors. Align the hood body with the hood mounting bracket. Gently lower the hood until it securely engages the bracket. Add some securing screws using the holes provided.
3. Fix the discharge collar onto the air outlet adapter.
4. Attach an adequate length of 150mm round duct to the air outlet adapter.

**CHIMNEY INSTALLATION** – remove the plastic. Be careful of sharp edges.

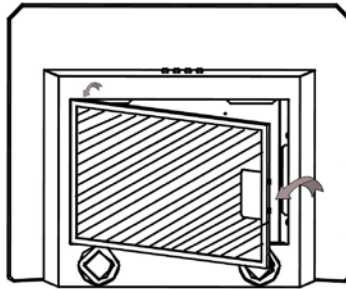
1. Carefully slide the stainless steel chimney down to the chimney bottom and then place the chimney bottom into the recessed area on top of the hood.
2. Secure the chimney mounting bracket to the wall in the top corner using (2) ST 4.2 x 30mm mounting screws and dry anchors.
3. Raise the chimney top until its holes align with holes in the chimney mounting bracket located on the wall.
4. Level the hood and secure the chimney with 2 chimney bracket screws.

*NOTE: Make sure that the correct wall plugs are used to suit your wall. Range hoods are subject to vibration and mounting must be very secure. The plugs included suit most walls but check first. An unreinforced Gyprock style wall is no acceptable as a secure surface. It must be reinforced first.*

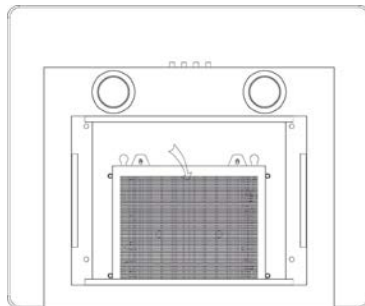


## **INSTALL FILTERS**

1. To remove the baffle filter, push in on the metal latch tab. This will disengage the filter from the hood. Tilt the filter downward and remove. Be careful not to drop the filter.
2. To install the baffle filter, align rear filter tabs with slots in the hood. Push in the metal latch tab, push filter into position and release. Make sure the filter is securely engaged after assembly.



3. To install the charcoal filter (optional), and lock it until the stop click is heard. The charcoal filter is only for recirculated installations
4. Install the baffle filter after charcoal filter is installed.



## PRODUCT WARRANTY

Thank you for choosing an Emilia Glem rangehood, the purchase of this appliance is an important investment in your home and so to protect your investment we urge you to complete the registration card attached, please return it immediately.

The benefits conferred by this warranty are in addition to all other conditions and warranties in respect of this product which the consumer may have under the Trade Practices Act 1974 of the Commonwealth of Australia and/or similar State or Territory Laws.

Our goods come with guarantees that cannot be excluded under the Australian Consumer Law. You are entitled to a replacement or refund for a major failure if the goods fail to be of acceptable quality. You are also entitled to have the goods repaired or replaced if the goods fail to be of acceptable quality and failure does not amount to a major failure.

Glem Gas Australasia Pty Ltd warrants, this appliance to be free from defects in workmanship and materials for a period of:

1. a) Where the appliance is intended to be used and is used for  
DOMESTIC USE - 24 MONTHS FROM DATE OF INVOICE TO THE ORIGINAL PURCHASER.
- b) Where the appliance is intended to be used and is used for  
COMMERCIAL USE - 90 DAYS FROM DATE OF INVOICE TO THE ORIGINAL PURCHASER.

Glem Gas Australasia Pty Ltd, during the period of warranty, will at its option, and subject to the terms and conditions stated below, repair or replace free of charge this appliance or any component part, which upon examination by Glem Gas Australasia P/L. is found to be defective.

This Warranty shall not apply:

2. a) If the rating plate has been removed or the serial number or other details on it have been removed or rendered illegible.
- b) If the appliance is connected to any electrical voltage other than shown on rating plate.
- c) If the appliance has been subjected to misuse, abuse accident or want of care.
- d) If the appliance has been installed, operated or maintained contrary to the instructions supplied by Glem Gas Australasia Pty Ltd.
- e) If any defect or failure is due to connection to an inadequate or faulty power supply.

- f) If damage is caused by foreign objects in or on the appliance or because of its use for purposes other than that for which it was delivered.
- g) If a repair has been made or attempted by the purchaser
- h) If you live outside the service area of the Glem Gas Australasia service agents this warranty does not cover the cost of transport of the appliance for service or the service agent's travelling time.
3. This warranty does not cover any glass damage or replacement of light bulbs.
4. Glem Gas Australasia Pty Ltd accepts no liability pursuant to this Warranty for any cost or consequential damage or economic loss whether direct or indirect, to any person or property, arising from breakdown or failure of this appliance or any part thereof, and no responsibility is to be implied or accepted over and above the replacement value of the product.
5. Parts covered under warranty that need replacing can be posted to the customer to put on at their discretion.
- This Warranty is given by Glem Gas Australasia Pty Ltd and no other person or organisation is authorised to vary its provisions and conditions.

**Complete this section and keep for your own record.**

Appliance Model No \_\_\_\_\_ Serial No \_\_\_\_\_  
 Purchased From \_\_\_\_\_ Date of purchase \_\_\_\_\_

**Please complete the section below and return to:**

---

Glem Gas Australasia Pty Ltd, PO Box 63 Blaxcell PO South Granville NSW 2142  
 Appliance Model No \_\_\_\_\_ Serial No \_\_\_\_\_  
 Purchased From \_\_\_\_\_ Date of Purchase \_\_\_\_\_  
 Customer Name \_\_\_\_\_  
 Customer Address \_\_\_\_\_  
 Postcode \_\_\_\_\_  
 Installer's signature \_\_\_\_\_ Installer's License \_\_\_\_\_





**SERVICE 1 300 307 917**