

SEARS

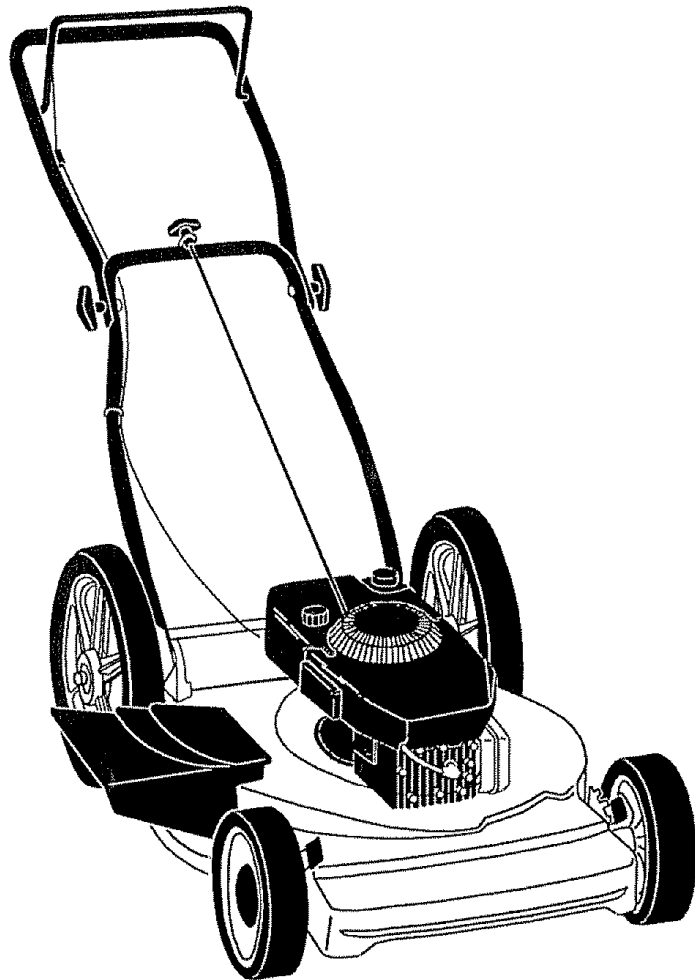
M-56-04-833

CRAFTSMAN®

MODEL NUMBER 917.380520 OWNER'S MANUAL

- **Assembly**
- **Operation**
- **Customer Responsibilities**
- **Service**
- **Adjustments**
- **Repair Parts**

Caution:
Read and Follow
all Safety Rules
and Instructions
Before Operating
This Equipment



Sears, Roebuck and Co., Hoffman Estates, IL 60179 U.S.A.

SAFETY RULES



CAUTION: ALWAYS DISCONNECT SPARK PLUG WIRE AND PLACE WIRE WHERE IT CANNOT CONTACT SPARK PLUG TO PREVENT ACCIDENTAL STARTING WHEN SETTING UP, TRANSPORTING, ADJUSTING OR MAKING REPAIRS.



IMPORTANT

SAFETY STANDARDS REQUIRE OPERATOR PRESENCE CONTROLS TO MINIMIZE THE RISK OF INJURY. YOUR UNIT IS EQUIPPED WITH SUCH CONTROLS. DO NOT ATTEMPT TO DEFEAT THE FUNCTION OF THE OPERATOR PRESENCE CONTROLS UNDER ANY CIRCUMSTANCES.

TRAINING:

- Read this operator's manual carefully. Become familiar with the controls and know how to operate your mower properly. Learn how to quickly stop mower.
- Do not allow children to use your mower. Never allow adults to use mower without proper instructions.
- Keep the area of operation clear of all persons, especially small children and pets.
- Use mower only as the manufacturer intended and as described in this manual.
- Do not operate mower if it has been dropped or damaged in any manner. Always have damage repaired before using your mower.
- Do not use accessory attachments that are not recommended by the manufacturer. Use of such attachments may be hazardous.
- The blade turns when the engine is running.
- Always stop the blade whenever you leave or are not using your mower, or before crossing driveways, walks, roads, and any gravel-covered areas.
- Never direct discharge of material toward bystanders nor allow anyone near the mower while you are operating it.
- Before cleaning, inspecting, or repairing your mower, stop the engine and make absolutely sure the blade and all moving parts have stopped. Then disconnect the spark plug wire and keep it away from the spark plug to prevent accidental starting.
- Do not continue to run your mower if you hit a foreign object. Follow the procedure outlined above, then repair any damage before restarting and operating your mower.
- Do not change the governor settings or overspeed the engine. Engine damage or personal injury may result.
- Do not operate your mower if it vibrates abnormally. Excessive vibration is an indication of damage; stop the engine, safely check for the cause of vibration and repair as required.
- Do not run the engine indoors. Exhaust fumes are dangerous.
- Never cut grass by pulling the mower towards you. Mow across the face of slopes, never up and down or you might lose your footing. Do not mow excessively steep slopes. Use caution when operating the mower on uneven terrain or when changing directions - maintain good footing.
- Never operate your mower without proper guards, plates, grass catcher or other safety devices in place.

PREPARATION:

- Always thoroughly check the area to be mowed and clear it of all stones, sticks, wires, bones, and other foreign objects. These objects will be thrown by the blade and can cause severe injury.
- Always wear safety glasses or eye shields when starting and while using your mower.
- Dress properly. Do not operate mower when barefoot or wearing open sandals. Wear only solid shoes with good traction when mowing.
- Check fuel tank before starting engine. Do not fill gas tank indoors, when the engine is running or when the engine is hot. Allow the engine to cool for several minutes before filling the gas tank. Clean off any spilled gasoline before starting the engine.
- Always make wheel height adjustments before starting your mower. Never attempt to do this while the engine is running.
- Mow only in daylight or good artificial light.

OPERATION:

- Keep your eyes and mind on your mower and the area being cut. Do not let other interests distract you.
- Do not mow wet or slippery grass. Never run while operating your mower. Always be sure of your footing - keep a firm hold on the handles and walk.
- Do not put hands or feet near or under rotating parts. Keep clear of the discharge opening at all times.

MAINTENANCE AND STORAGE:

- Check the blade and the engine mounting bolts often to be sure they are tightened properly.
- Check all bolts, nuts and screws at frequent intervals for proper tightness to be sure mower is in safe working condition.
- Keep all safety devices in place and working.
- To reduce fire hazard, keep the engine free of grass, leaves or excessive grease and oil.
- Check grass catcher often for deterioration and wear and replace worn bags. Use only replacement bags that are recommended by and comply with specifications of the manufacturer of your mower.
- Always keep a sharp blade on your mower.
- Allow engine to cool before storing in any enclosure.
- Never store mower with fuel in the tank inside a building where fumes may reach an open flame or an ignition source such as a hot water heater, space heater, clothes dryer, etc.



LOOK FOR THIS SYMBOL TO POINT OUT IMPORTANT SAFETY PRECAUTIONS. IT MEANS - ATTENTION!!! BECOME ALERT!!! YOUR SAFETY IS INVOLVED.

CONGRATULATIONS on your purchase of a Sears Lawn Mower. It has been designed, engineered and manufactured to give you the best possible dependability and performance.

Should you experience any problem you cannot easily remedy, please contact your nearest Sears Authorized Service Center/Department. We have competent, well-trained technicians and the proper tools to service or repair this lawn mower.

Please read and retain this manual. The instructions will enable you to assemble and maintain your lawn mower properly. Always observe the "SAFETY RULES".

PRODUCT SPECIFICATIONS

HORSEPOWER:	5.0
DISPLACEMENT:	11.5 CU. IN.
GASOLINE CAPACITY AND TYPE:	1.5 QUARTS UNLEADED REGULAR
OIL TYPE (API-SG):	SAE 30 (ABOVE 32°F) SAE 5W-30 (below 32°F)
OIL CAPACITY:	20 OZS.
SPARK PLUG: (GAP: .030")	CHAMPION RJ19-LM STD361458
VALVE CLEARANCE:	INTAKE: .008" EXHAUST: .008"
SOLID STATE IGNITION AIR GAP:	0.125 IN.
BLADE BOLT TORQUE:	35-40 FT. LBS.

MODEL NUMBER	917.380520
SERIAL NUMBER	_____
DATE OF PURCHASE	_____
THE MODEL AND SERIAL NUMBERS WILL BE FOUND ON A DECAL ATTACHED TO THE REAR OF THE LAWN MOWER HOUSING	
YOU SHOULD RECORD BOTH SERIAL NUMBER AND DATE OF PURCHASE AND KEEP IN A SAFE PLACE FOR FUTURE REFERENCE.	

MAINTENANCE AGREEMENT

A Sears Maintenance Agreement is available on this product. Contact your nearest Sears store for details.

CUSTOMER RESPONSIBILITIES

- Read and observe the safety rules.
- Follow a regular schedule in maintaining, caring for and using your lawn mower.
- Follow the instructions under "Customer Responsibilities" and "Storage" sections of this owner's manual.

LIMITED TWO YEAR WARRANTY ON CRAFTSMAN POWER MOWER

For two years from date of purchase, when this Craftsman Lawn Mower is maintained, lubricated, and tuned up according to the operating and maintenance instructions in the owner's manual, Sears will repair free of charge any defect in material or workmanship.

If this Craftsman Lawn Mower is used for commercial or rental purposes, this warranty applies for only 90 days from the date of purchase.

This Warranty does not cover:

- Expendable items which become worn during normal use, such as rotary mower blades, blade adapters, belts, air cleaners and spark plug.
- Repairs necessary because of operator abuse or negligence, including bent crankshafts and the failure to maintain the equipment according to the instructions contained in the owner's manual.

WARRANTY SERVICE IS AVAILABLE BY RETURNING THE CRAFTSMAN POWER MOWER TO THE NEAREST SEARS SERVICE CENTER/DEPARTMENT IN THE UNITED STATES. THIS WARRANTY APPLIES ONLY WHILE THIS PRODUCT IS IN USE IN THE UNITED STATES.

This Warranty gives you specific legal rights, and you may also have other rights which vary from state to state.

SEARS, ROEBUCK AND CO., D/817 WA, HOFFMAN ESTATES, ILLINOIS 60179



TABLE OF CONTENTS

SAFETY RULES	2	MAINTENANCE SCHEDULE	9
PRODUCT SPECIFICATIONS	3	SERVICE AND ADJUSTMENTS	12
CUSTOMER RESPONSIBILITIES	3,9-11	STORAGE	13
WARRANTY	3	TROUBLESHOOTING	19
ASSEMBLY	5	REPAIR PARTS - LAWN MOWER	14-15
OPERATION	6	REPAIR PARTS - ENGINE	16-18
		PARTS ORDERING/SERVICE	BACK COVER

INDEX

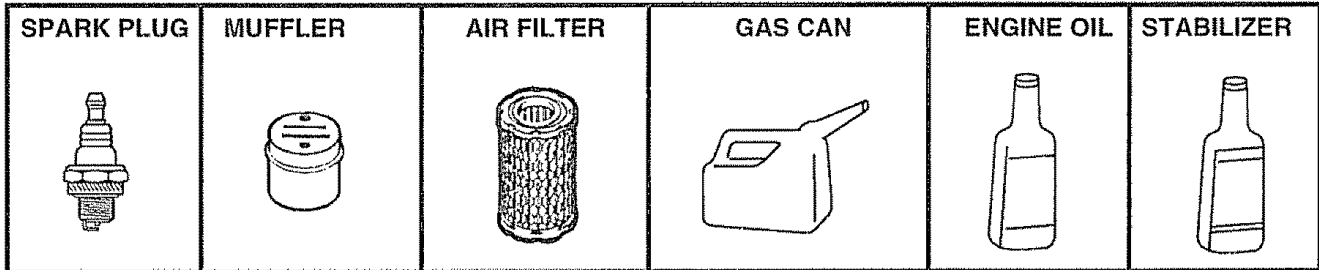
<p style="text-align: center;">A</p> <p>Accessories 5</p> <p>Adjustments:</p> <p style="padding-left: 20px;">Carburetor 12</p> <p style="padding-left: 20px;">Engine Speed 12</p> <p style="padding-left: 20px;">Handle Height 12</p> <p style="padding-left: 20px;">Height of Cut 7</p> <p>Air Filter:</p> <p style="padding-left: 20px;">Replacement 11</p> <p style="padding-left: 20px;">Service 11</p> <p>Assembly 5</p> <p style="text-align: center;">B</p> <p>Blade:</p> <p style="padding-left: 20px;">Sharpening 9</p> <p style="padding-left: 20px;">Replacement 10</p> <p style="text-align: center;">C</p> <p>Controls:</p> <p style="padding-left: 20px;">Engine Zone Control 6</p> <p style="padding-left: 20px;">Engine Speed Control 6</p> <p style="padding-left: 20px;">Operator Presence Control Bar 6</p> <p>Customer Responsibilities 9</p> <p style="padding-left: 20px;">Air Filter 11</p> <p style="padding-left: 20px;">Blade Care/Replacement 10</p> <p style="padding-left: 20px;">Engine 11</p> <p style="padding-left: 20px;">Lubrication 11</p> <p style="padding-left: 20px;">Spark Plug 11</p> <p>Cutting Levels 7</p>	<p style="text-align: center;">E</p> <p>Engine:</p> <p style="padding-left: 20px;">Air Filter 11</p> <p style="padding-left: 20px;">Oil Change 11</p> <p style="padding-left: 20px;">Oil Level 11</p> <p style="padding-left: 20px;">Oil Type 11</p> <p style="padding-left: 20px;">Starting 8</p> <p style="padding-left: 20px;">Stopping 8</p> <p style="padding-left: 20px;">Storage 13</p> <p style="text-align: center;">F</p> <p>Fuel:</p> <p style="padding-left: 20px;">Capacity 3</p> <p style="padding-left: 20px;">Storage 13</p> <p style="padding-left: 20px;">Type 7</p> <p style="text-align: center;">H</p> <p>Handle Adjustment:</p> <p style="padding-left: 20px;">Assembly 5</p> <p style="padding-left: 20px;">Cutting Height 12</p> <p style="text-align: center;">L</p> <p>Lubrication:</p> <p style="padding-left: 20px;">Engine 9</p> <p style="padding-left: 20px;">Lawn Mower 9</p> <p style="text-align: center;">M</p> <p>Maintenance Agreement 3</p> <p>Maintenance Schedule 9</p> <p>Mowing Tips 8</p> <p style="text-align: center;">O</p> <p>Oil:</p> <p style="padding-left: 20px;">Engine 11</p> <p style="padding-left: 20px;">Storage 13</p>	<p>Operation:</p> <p style="padding-left: 20px;">Engine Control 7</p> <p style="padding-left: 20px;">Grass Catcher 10</p> <p style="padding-left: 20px;">Mower 7</p> <p style="padding-left: 20px;">Operator Presence Control Bar 7</p> <p>Options:</p> <p style="padding-left: 20px;">Accessories 5</p> <p style="text-align: center;">R</p> <p>Repair Parts:</p> <p style="padding-left: 20px;">Engine 16-18</p> <p style="padding-left: 20px;">Lawn Mower 14-15</p> <p>Responsibilities, Customer 3,9-11</p> <p style="text-align: center;">S</p> <p>Safety Rules 2</p> <p>Service and Adjustments 12</p> <p style="padding-left: 20px;">Carburetor 12</p> <p style="padding-left: 20px;">Discharge Guard 12</p> <p style="padding-left: 20px;">Engine Speed 12</p> <p style="padding-left: 20px;">Handle 12</p> <p>Spark Plug 11</p> <p>Specifications 3</p> <p>Speed Control:</p> <p style="padding-left: 20px;">Engine 12</p> <p>Starting the Engine 8</p> <p>Stopping the Engine 8</p> <p>Storage 13</p> <p style="text-align: center;">T</p> <p>Trouble Shooting Chart 19</p> <p style="text-align: center;">W</p> <p>Warranty 3</p>
--	--	--



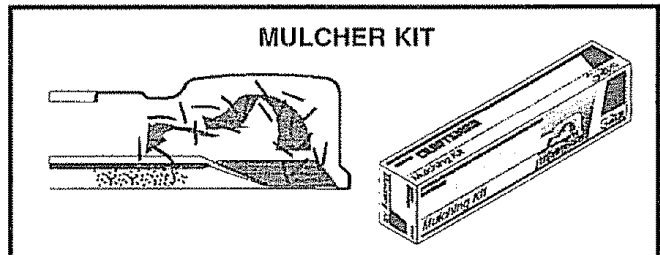
LAWN MOWER ACCESSORIES

These accessories were available when this lawn mower was produced. They are also available at most Sears retail outlets and service centers. Most Sears stores can also order repair parts for you, when you provide the model number of your lawn mower. Some of these accessories may not apply to your lawn mower.

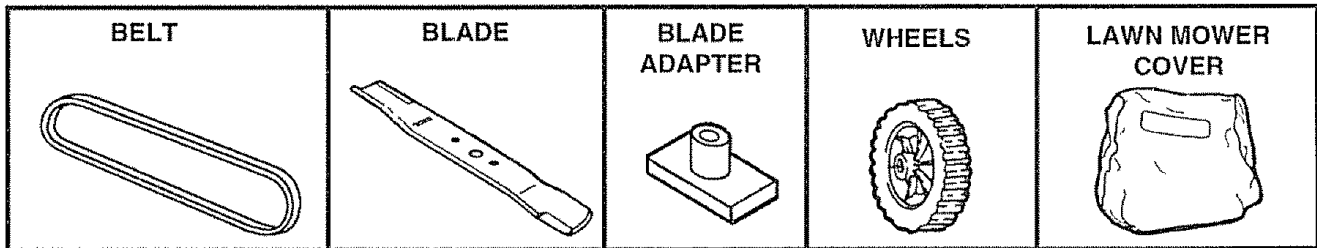
ENGINE



LAWN MOWER PERFORMANCE



LAWN MOWER MAINTENANCE



ASSEMBLY

Read these instructions and this manual in its entirety before you attempt to assemble or operate your new lawn mower. Your new lawn mower has been assembled at the factory with the exception of those parts left unassembled for shipping purposes. All parts such as nuts, washers, bolts, etc., necessary to complete the assembly have been placed in the parts bag. To ensure safe and proper operation of your lawn mower, all parts and hardware you assemble must be tightened securely. Use the correct tools as necessary to ensure proper tightness.

TO REMOVE LAWN MOWER FROM CARTON

- Remove loose parts included with mower.
- Cut down two end corners of carton and lay end panel down flat.
- Remove all packing materials except padding between upper and lower handle and padding holding operator presence control bar to upper handle.
- Roll lawn mower out of carton and check carton thoroughly for additional loose parts.

HOW TO SET UP YOUR LAWN MOWER

TO UNFOLD HANDLE (See Fig. 1)

IMPORTANT: UNFOLD HANDLE CAREFULLY SO AS NOT TO PINCH OR DAMAGE CONTROL CABLES.

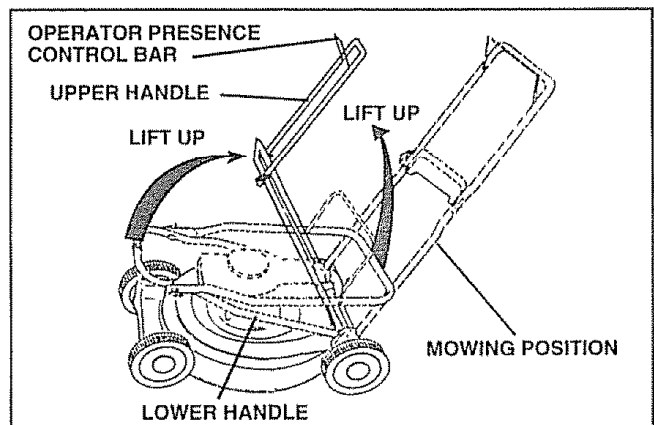


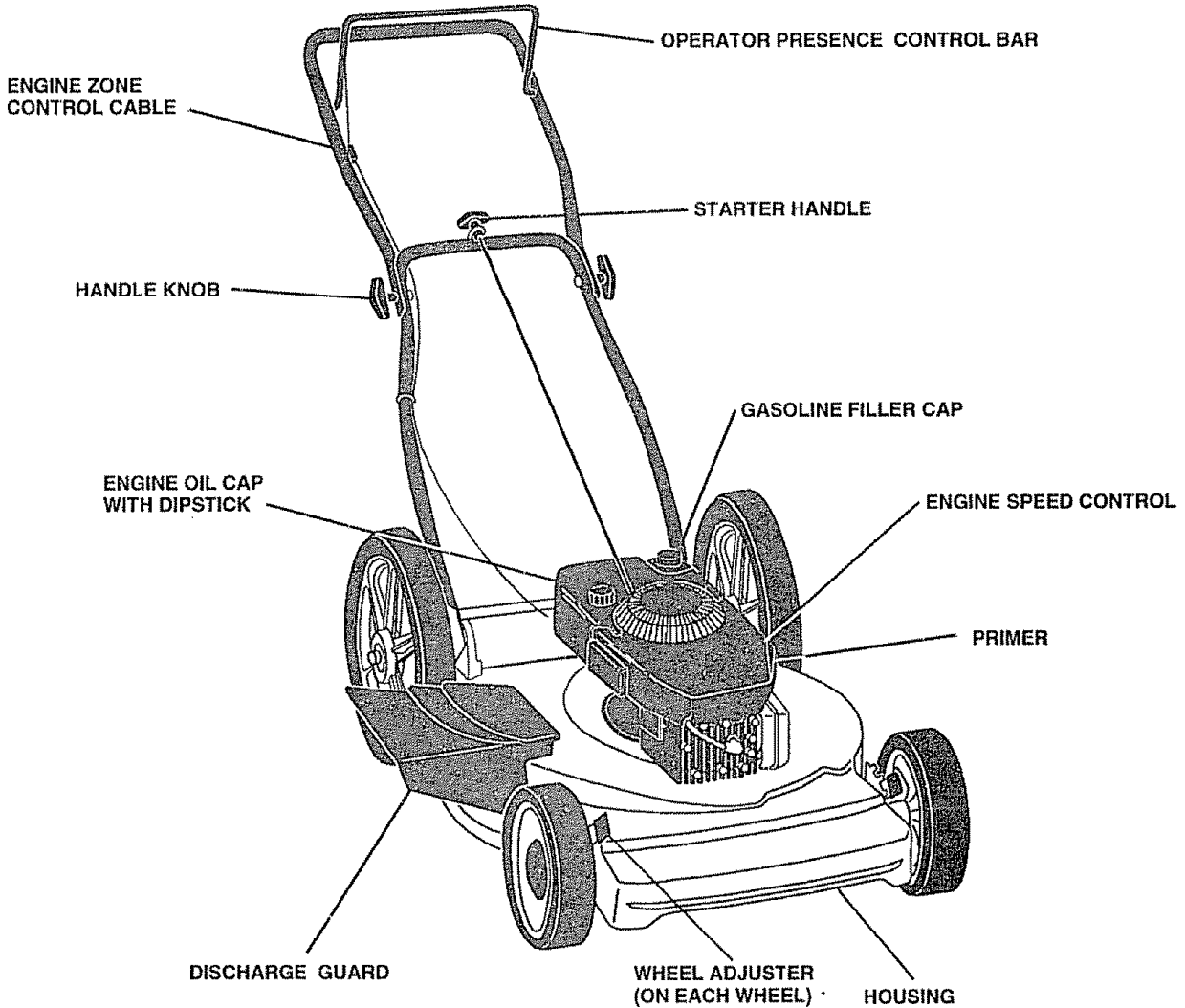
FIG. 1

- Raise handles until lower handle section locks into place in mowing position.
- Raise upper handle section into place on lower handle, remove protective padding and tighten both handle knobs.
- Remove handle padding holding operator presence control bar to upper handle.
- Your lawn mower handle can be adjusted for your mowing comfort. Refer to "Adjust Handle" in the Service and Adjustment section of this manual.

OPERATION

KNOW YOUR LAWN MOWER

READ THIS OWNER'S MANUAL AND SAFETY RULES BEFORE OPERATING YOUR LAWN MOWER. Compare the illustrations with your lawn mower to familiarize yourself with the location of various controls and adjustments. Save this manual for future reference.



MEETS CPSC SAFETY REQUIREMENTS

Sears rotary walk-behind power lawn mowers conform to the safety standards of the American National Standards Institute and the U.S. Consumer Product Safety Commission. The blade turns when the engine is running.

OPERATOR PRESENCE CONTROL BAR - must be held down to the handle to start the engine. Release to stop the engine.

ENGINE SPEED CONTROL - located on the side of the engine which allows you to select either fast (↺) or slow (↻) engine speed.

PRIMER - pumps additional fuel from the carburetor to the cylinder for use when starting a cold engine.

STARTER HANDLE - used for starting the engine.

OPERATION

HOW TO USE YOUR LAWN MOWER

ENGINE SPEED (See Fig. 2)

The engine speed is controlled by a lever located on the side of the engine. Fast (🔥) position is for starting engine, normal cutting and better grass bagging. Slow (🌿) position is for light cutting, trimming and fuel economy.

ENGINE ZONE CONTROL



CAUTION: Federal regulations require an engine control to be installed on this lawn mower in order to minimize the risk of blade contact injury. Do not under any circumstances attempt to defeat the function of the operator control. The blade turns when the engine is running.

- Your lawn mower is equipped with an operator presence control bar which requires the operator to be positioned behind the lawn mower handle to start and operate the lawn mower.

TO ADJUST CUTTING HEIGHT (See Fig. 3)

- Raise wheels for low cut and lower wheels for high cut.
- Wheels are set in low cut for shipping. Adjust cutting height to suit your requirements. Medium position is best for most lawns.
- To change cutting height, squeeze adjuster lever toward wheel. Move wheel up or down to suit your requirements. Be sure all wheels are in the same setting.

BEFORE STARTING ENGINE

OIL (See Fig. 4)

Your lawn mower is shipped without oil in the engine.

- Be sure mower is level and area around oil fill is clean.
- Remove engine oil cap w/dipstick and fill to the full line on the dipstick.
- Use 20 ozs. of oil. For type and grade of oil to use, see "ENGINE" in Customer Responsibilities section of this manual.
- Pour oil slowly. Do not over fill.
- Check oil level before each use. Add oil if needed. Fill to full line on dipstick.
- To read proper level, tighten engine oil cap each time.
- Reinstall engine oil cap and tighten.
- After the first two (2) hours of mowing, change the oil, and every 25 hours thereafter. You may need to change the oil more often under dusty, dirty conditions.

GAS (See Fig. 4)

- Fill gasoline tank with fresh, clean, unleaded gasoline. **DO NOT USE PREMIUM GASOLINE. BE CAREFUL NOT TO OVER FILL TANK.**

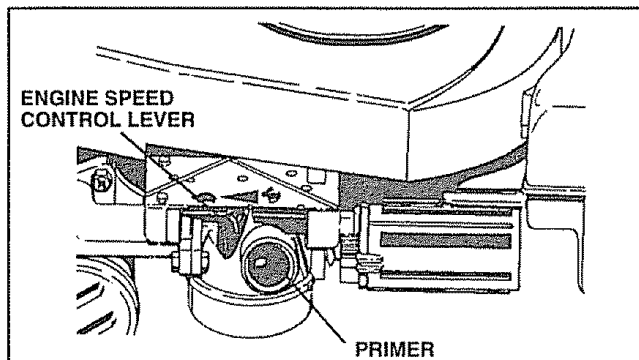


FIG. 2

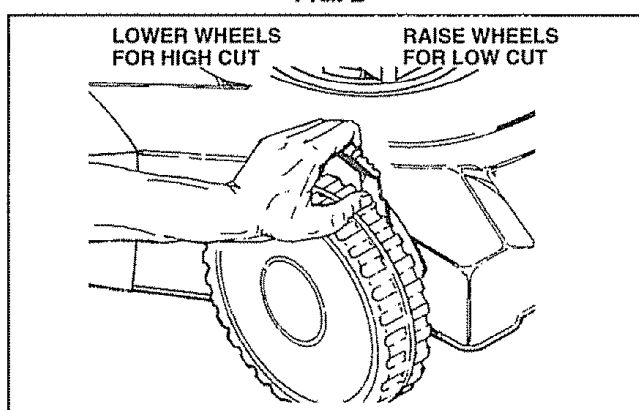


FIG. 3

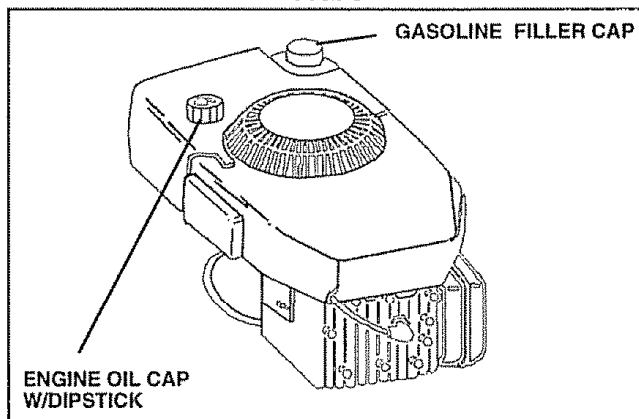


FIG. 4

WARNING: Experience indicates that alcohol blended fuels (called gasohol or using ethanol or methanol) can attract moisture which leads to separation and formation of acids during storage. Acidic gas can damage the fuel system of an engine while in storage. To avoid engine problems, the fuel system should be emptied before storage of 30 days or longer. Drain the fuel tank, start the engine and let it run until fuel lines and carburetor are empty. Use fresh fuel next season. See Storage Instructions for additional information. Never use engine or carburetor cleaner products in fuel tank or permanent damage may occur.

OPERATION

TO START ENGINE

- To start a cold engine, push primer five (5) times before trying to start. Use a firm push. This step is not usually necessary when starting an engine which has already run for a few minutes.
- Move engine speed control lever to fast (🔌) position.
- Hold operator presence control bar down to the handle and pull starter handle quickly. DO NOT allow starter rope to snap back.
- To STOP engine, release operator presence control bar.

NOTE: In cooler weather it may be necessary to repeat priming steps. In warmer weather over priming may cause flooding and engine will not start. If you do flood engine wait a few minutes before attempting to start and DO NOT repeat priming steps.

MOWING TIPS

- Under certain conditions, such as very tall grass, it may be necessary to raise the height of cut to reduce pushing effort and to keep from overloading the engine and leaving clumps of grass clippings.
- For extremely heavy cutting, reduce the width of cut and raise the rear of the lawn mower housing one (1) wheel adjuster setting higher than the front for better discharge of grass.
- For better grass bagging and most cutting conditions, the engine speed should be set in the fast (🔌) position.
- For side discharge lawn mowers, cutting in a counter-clockwise direction, starting at the outside of the area to be cut, spreads grass clippings more evenly and puts less load on the engine. To keep clippings off of walkways, flower beds, etc., make the first cuts in a clockwise direction.
- Pores in cloth grass catchers can become filled with dirt and dust with use and catchers will collect less grass. To prevent this, regularly hose catcher off with water and let dry before using.
- Keep top of engine around starter clear and clean of grass clippings and chaff. This will help engine air flow and extend engine life.

CUSTOMER RESPONSIBILITIES

MAINTENANCE SCHEDULE		SERVICE DATES																
		BEFORE EACH USE	AFTER EACH USE	FIRST 2 HOURS	EVERY 2 HOURS	EVERY 5 HOURS	EVERY 25 HOURS	BEFORE STORAGE										
MOWER	Check for Loose Fasteners	✓						✓										
	Clean/Inspect Grass Catcher (If Equipped)	✓	✓								✓							
	Clean Lawn Mower		✓								✓							
	Inspect/Clean Drive Wheels (Self-Propelled Mowers)	✓			✓													
	Sharpen/Replace Mower Blade						✓ ³											
	Lubrication Chart						✓				✓							
	Clean Battery/Recharge (Electric Start Mowers)						✓				✓ ⁴							
ENGINE	Check Engine Oil Level	✓			✓													
	Change Engine Oil			✓		✓ ^{1,2}												
	Clean Air Filter					✓ ²												
	Inspect Muffler					✓												
	Replace Spark Plug									✓								
	Replace Air Filter Paper Cartridge									✓ ²								

- 1 - Change more often when operating under a heavy load or in high ambient temperatures.
- 2 - Service more often when operating in dirty or dusty conditions.
- 3 - Replace blades more often when mowing in sandy soil.
- 4 - Charge 48 hours at end of season.

GENERAL RECOMMENDATIONS

The warranty on this lawn mower does not cover items that have been subjected to operator abuse or negligence. To receive full value from the warranty, operator must maintain mower as instructed in this manual.

Some adjustments will need to be made periodically to properly maintain your unit.

All adjustments in the Service and Adjustments section of this manual should be checked at least once each season.

- Once a year, replace the spark plug, clean or replace air filter element and check blade for wear. A new spark plug and clean/new air filter element assures proper air-fuel mixture and helps your engine run better and last longer.
- Follow the maintenance schedule in this manual.

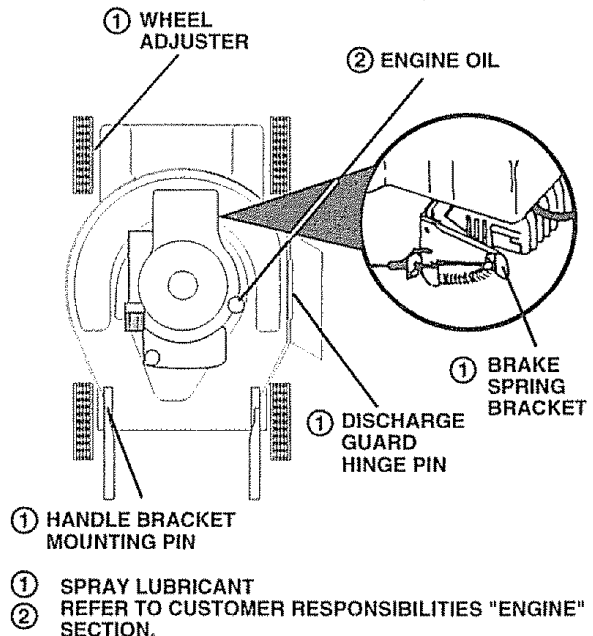
BEFORE EACH USE

- Check engine oil level.
- Check for loose fasteners.

LUBRICATION

Keep unit well lubricated (See "LUBRICATION CHART").

LUBRICATION CHART



IMPORTANT: DO NOT OIL OR GREASE PLASTIC WHEEL BEARINGS. VISCOUS LUBRICANTS WILL ATTRACT DUST AND DIRT THAT WILL SHORTEN THE LIFE OF THE SELF-LUBRICATING BEARINGS. IF YOU FEEL THEY MUST BE LUBRICATED, USE ONLY A DRY, POWERED GRAPHITE TYPE LUBRICANT SPARINGLY.

CUSTOMER RESPONSIBILITIES

LAWN MOWER

Always observe safety rules when performing any maintenance.

TIRES

- Keep tires free of gasoline, oil, or insect control chemicals which can harm rubber.
- Avoid stumps, stones, deep ruts, sharp objects and other hazards that may cause tire damage.

BLADE CARE

For best results, mower blade must be kept sharp. Replace bent or damaged blades.

TO REMOVE BLADE (See Fig. 5)

- Disconnect spark plug wire from spark plug and place wire where it cannot come in contact with spark plug.
- Turn lawn mower on its side. Make sure air filter and carburetor are up.
- Use a wood block between blade and mower housing to prevent blade from turning when removing blade bolt.
- Protect your hands with gloves and/or wrap blade with heavy cloth.
- Remove blade bolt by turning counter-clockwise. Use a 9/16" box or open-end wrench.
- Remove blade and attaching hardware (bolt, lock washer and hardened washer).

NOTE: Remove the blade adapter and check the key inside hub of blade adapter. The key must be in good condition to work properly. Replace adapter if damaged.

TO REPLACE BLADE (See Fig. 5)

- Position the blade adapter on the engine crankshaft. Be sure key in adapter and crankshaft keyway are aligned.
- Position blade on the blade adapter aligning the two (2) holes in the blade with the raised lugs on the adapter.
- Be sure the trailing edge of blade (opposite sharp edge) is up toward the engine.
- Install the blade bolt with the lock washer and hardened washer into blade adapter and crankshaft.
- Use block of wood between blade and lawn mower housing and tighten the blade bolt, turning clockwise.
- The recommended tightening torque is 35-40 ft. lbs.

IMPORTANT: BLADE BOLT IS GRADE 8 HEAT TREATED.

NOTE: We do not recommend sharpening blade - but if you do, be sure the blade is balanced.

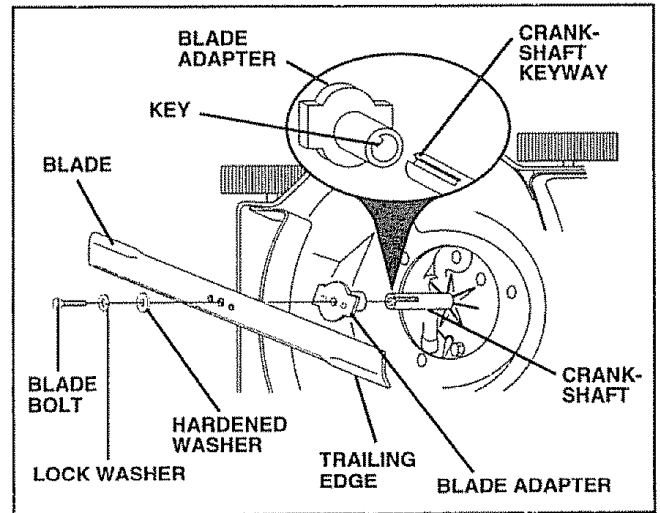


FIG. 5

TO SHARPEN BLADE

Care should be taken to keep the blade balanced. An unbalanced blade will cause eventual damage to lawn mower or engine.

- The blade can be sharpened with a file or on a grinding wheel. Do not attempt to sharpen while on the mower.
- To check blade balance, drive a nail into a beam or wall. Leave about one inch of the straight nail exposed. Place center hole of the blade over the head of the nail. If blade is balanced, it should remain in a horizontal position. If either end of the blade moves downward, sharpen the heavy end until the blade is balanced.

GRASS CATCHER

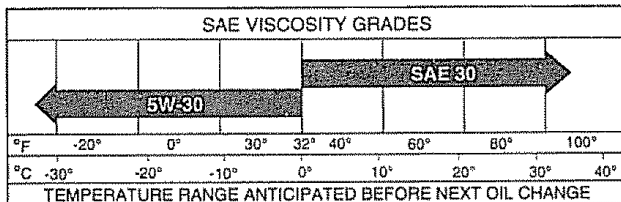
(If purchased as an accessory)

- The grass catcher may be hosed with water, but must be dry when used.
- Check your grass catcher often for damage or deterioration. Through normal use it will wear. If catcher needs replacing, replace only with a manufacturer approved replacement catcher. Give the lawn mower model number when ordering.

CUSTOMER RESPONSIBILITIES

ENGINE LUBRICATION

Use only high quality detergent oil rated with API service classification SG. Select the oil's SAE viscosity grade according to your expected operating temperature.



NOTE: Although multi-viscosity oils (5W30, 10W30 etc.) improve starting in cold weather, these multi-viscosity oils will result in increased oil consumption when used above 32°F. Check your engine oil level more frequently to avoid possible engine damage from running low on oil.

Change the oil after the first two hours of operation and every 25 hours thereafter or at least once a year if the lawn mower is not used for 25 hours in one year.

Check the crankcase oil level before starting the engine and after each five (5) hours of continuous use. Tighten oil plug securely each time you check the oil level.

TO CHANGE ENGINE OIL (See Fig. 6)

NOTE: Before tipping lawn mower to drain oil, drain fuel tank by running engine until fuel tank is empty.

- Disconnect spark plug wire from spark plug and place wire where it cannot come in contact with spark plug.
- Remove engine oil cap; lay aside on a clean surface.
- Tip lawn mower on its side and drain oil into a suitable container. Rock lawn mower back and forth to remove any oil trapped inside of engine.
- Wipe off any spilled oil on lawn mower and on side of engine.
- Fill engine with oil. Fill only to the "FULL" line on the dipstick. **DO NOT OVER FILL.**
- Replace engine oil cap.
- Reconnect spark plug wire to spark plug.

AIR FILTER

Your engine will not run properly and may be damaged by using a dirty air filter.

Replace the air filter every year, more often if you mow in very dusty, dirty conditions. Do not wash air filter.

TO CHANGE AIR FILTER (See Fig. 7)

- Remove the air filter cover by turning counterclockwise to the stop and pull away from collar.
- Remove filter from inside of cover.
- Clean the inside of the cover and the collar to remove any dirt accumulation.
- Insert new filter into cover.
- Put air filter cover and filter into collar aligning the tab with the slot.
- Push in on cover and turn clockwise to tighten.

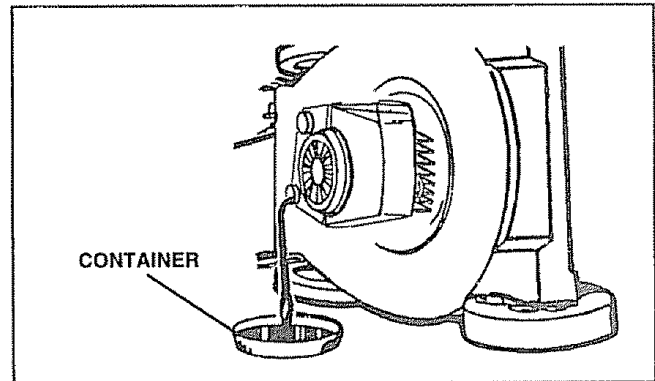


FIG. 6

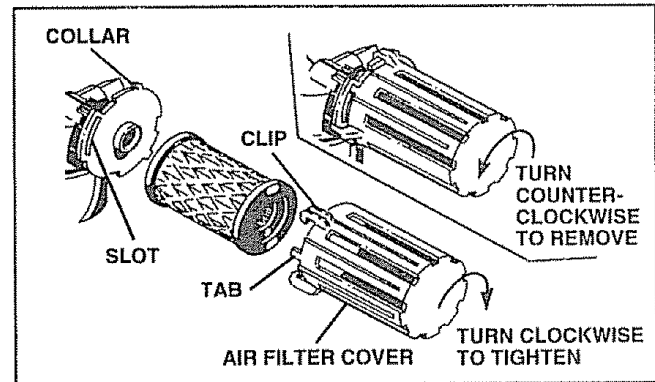


FIG. 7

MUFFLER

Inspect and replace corroded muffler as it could create a fire hazard and/or damage.

SPARK PLUG

Change your spark plug each year to make your engine start easier and run better. Set spark plug gap at .030 inch.

CLEANING

Clean the underside of your mower after each use.

- Turn lawn mower on its side. Make sure air filter and carburetor are up. Clean the underside of your lawn mower by scraping to remove build-up of grass and trash.
- Clean engine often to keep trash from accumulating. A clogged engine runs hotter and shortens engine life.
- Keep finished surfaces and wheels free of all gasoline, oil, etc.
- We **DO NOT** recommend using a garden hose to clean lawn mower unless the electrical system, muffler, air filter and carburetor are covered to keep water out. Water in engine can result in shortened engine life.

SERVICE AND ADJUSTMENTS



CAUTION: BEFORE PERFORMING ANY SERVICE OR ADJUSTMENTS:

- Release control bar and stop engine.
- Make sure the blade and all moving parts have completely stopped.
- Disconnect spark plug wire from spark plug and place where it cannot come in contact with plug.

LAWN MOWER REAR DEFLECTOR

The rear deflector, attached between the rear wheels of your mower, is provided to minimize the possibility that objects will be thrown out of the discharge opening into the operator mowing position. If the rear deflector becomes damaged, it should be replaced.

DISCHARGE GUARD

The discharge guard, attached to the discharge opening of your lawn mower, is provided to prevent the possibility of injury resulting from objects being thrown out of the discharge guard opening into the operator mowing position.



CAUTION: Do not run your lawn mower without discharge guard or approved grass catcher in place.

TO ADJUST HANDLE (See Figs. 8 - 10)

Your lawn mower handle can be raised or lowered for your mowing comfort. Four (4) positions are available: high, medium high, medium low and low. Handles are shipped mounted in the medium low position.

- To change from medium low to medium high position, the upper and lower handle sections will have to be turned over (See Fig. 8B).
- Remove the cable clips
- Remove the controls and operator presence control bar from the upper handle.
- Remove the starter rope guide from the lower handle.
- Remove hairpin cotters.
- Disconnect the lower handle from the handle brackets (See Fig. 10).
- Turn the handle over and reassemble the hairpin cotters that have been removed.
- Reassemble the starter rope guide.
- Reassemble the controls and the operator presence control bar to the upper handle.



CAUTION: The operator presence control bar must pivot freely to permit blade/brake engagement when control bar is released. Do not overtighten the fasteners holding the controls to the upper handle.

- To change from medium low to high position only the upper handle section will have to be turned over (See Fig. 9A).
- To change from medium low to low position, only the lower handle section will have to be turned over (See Fig. 9B).

ENGINE ENGINE SPEED

Your engine speed has been factory set. Do not attempt to increase engine speed or it may result in personal injury. If you believe that engine is running too fast or too slow, take your mower to an authorized service center for repair and adjustment.

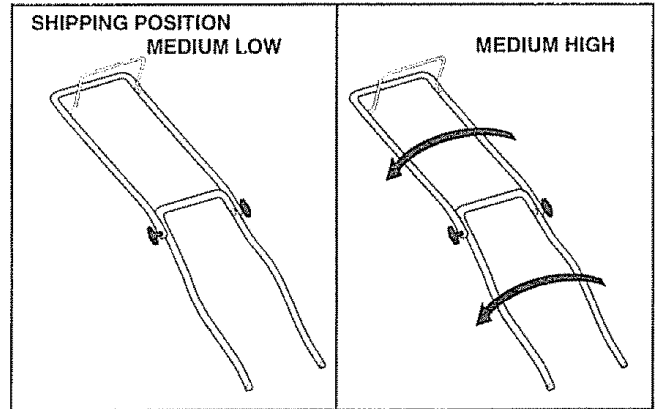


FIG. 8A

FIG. 8B

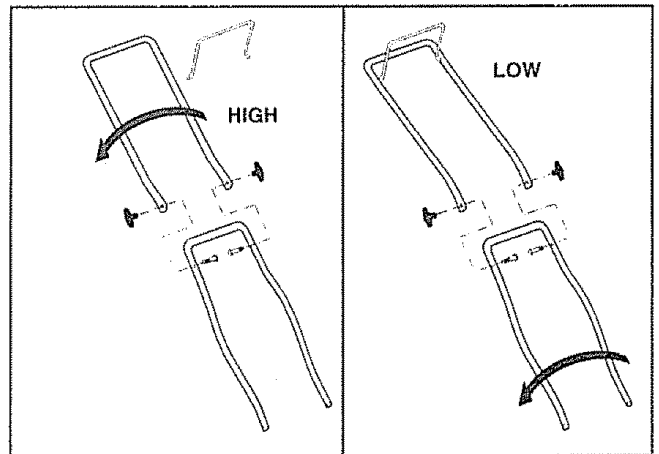


FIG. 9A

FIG. 9B

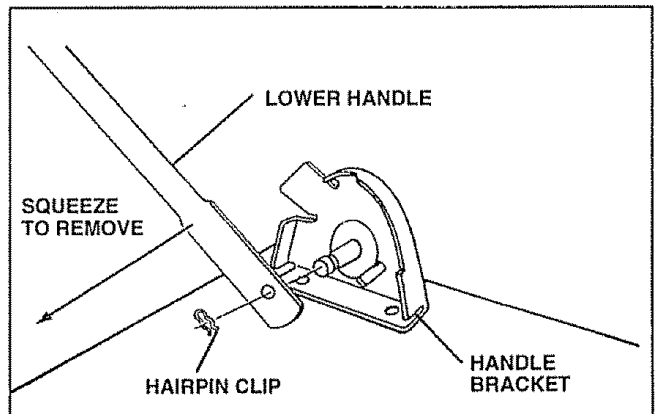


FIG. 10

CARBURETOR

Your carburetor has a non-adjustable fixed main jet for mixture control. If your engine does not operate properly due to suspected carburetor problems, take your lawn mower to an authorized service center for repair and adjustment.

STORAGE

Immediately prepare your lawn mower for storage at the end of the season or if the unit will not be used for 30 days or more.

LAWN MOWER

When lawn mower is to be stored for a period of time, clean it thoroughly, remove all dirt, grease, leaves, etc. Store in a clean, dry area.

- Clean entire lawn mower (See "CLEANING" in the Customer Responsibilities section of this manual).
- Lubricate as shown in the Customer Responsibilities section of this manual.
- Be sure that all nuts, bolts, screws, and pins are securely fastened. Inspect moving parts for damage, breakage and wear. Replace if necessary.
- Touch up all rusted or chipped paint surfaces; sand lightly before painting.

HANDLE (See Fig. 11)

You can fold your lawn mower handle for storage.

- Squeeze the bottom ends of the lower handle toward each other until the lower handle clears the handle bracket, then move handle forward.
- Loosen upper handle mounting bolts enough to allow upper handle to be folded back.

IMPORTANT: WHEN FOLDING THE HANDLE FOR STORAGE OR TRANSPORTATION, BE SURE TO FOLD THE HANDLE AS SHOWN OR YOU MAY DAMAGE THE CONTROL CABLES

- When setting up your handle from the storage position, the lower handle will automatically lock into the mowing position.

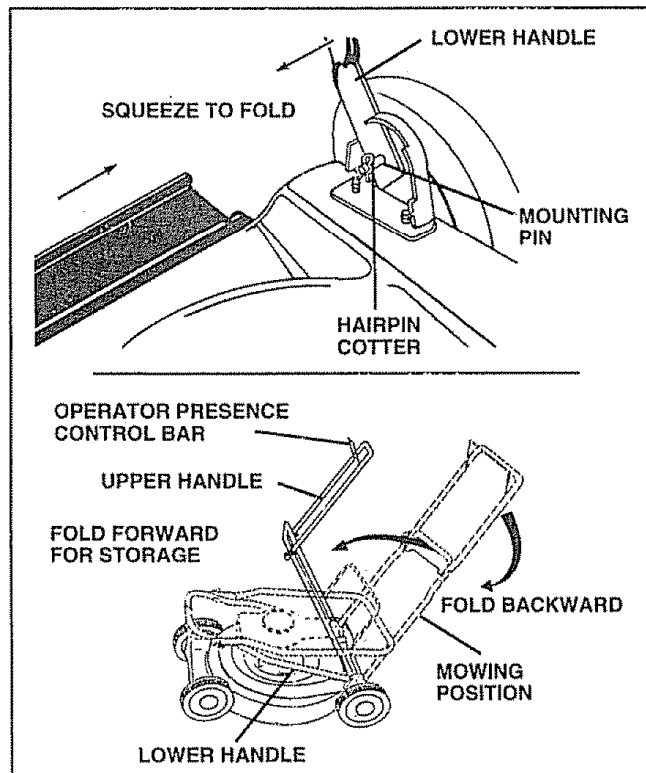


FIG. 11

ENGINE

FUEL SYSTEM

IMPORTANT: IT IS IMPORTANT TO PREVENT GUM DEPOSITS FROM FORMING IN ESSENTIAL FUEL SYSTEM PARTS SUCH AS CARBURETOR, FUEL FILTER, FUEL HOSE, OR TANK DURING STORAGE. ALSO, EXPERIENCE INDICATES THAT ALCOHOL BLENDED FUELS (CALLED GASOHOL OR USING ETHANOL OR METHANOL) CAN ATTRACT MOISTURE WHICH LEADS TO SEPARATION AND FORMATION OF ACIDS DURING STORAGE. ACIDIC GAS CAN DAMAGE THE FUEL SYSTEM OF AN ENGINE WHILE IN STORAGE

- Drain the fuel tank.
- Start the engine and let it run until the fuel lines and carburetor are empty.
- Never use engine or carburetor cleaner products in the fuel tank or permanent damage may occur.
- Use fresh fuel next season.

NOTE: Fuel stabilizer is an acceptable alternative in minimizing the formation of fuel gum deposits during storage. Add stabilizer to gasoline in fuel tank or storage container. Always follow the mix ratio found on stabilizer container. Run engine at least 10 minutes after adding stabilizer to allow the stabilizer to reach the carburetor. Do not drain the gas tank and carburetor if using fuel stabilizer.

ENGINE OIL

Drain oil (with engine warm) and replace with clean engine oil. (See "ENGINE" in the Customer Responsibilities section of this manual).

CYLINDER

- Remove spark plug.
- Pour one ounce (29 ml) of oil through spark plug hole into cylinder.
- Pull starter handle slowly a few times to distribute oil.
- Replace with new spark plug.

OTHER

- Do not store gasoline from one season to another.
- Replace your gasoline can if your can starts to rust. Rust and/or dirt in your gasoline will cause problems.
- If possible, store your unit indoors and cover it to give protection from dust and dirt.
- Cover your unit with a suitable protective cover that does not retain moisture. Do not use plastic. Plastic cannot breathe which allows condensation to form and will cause your unit to rust.

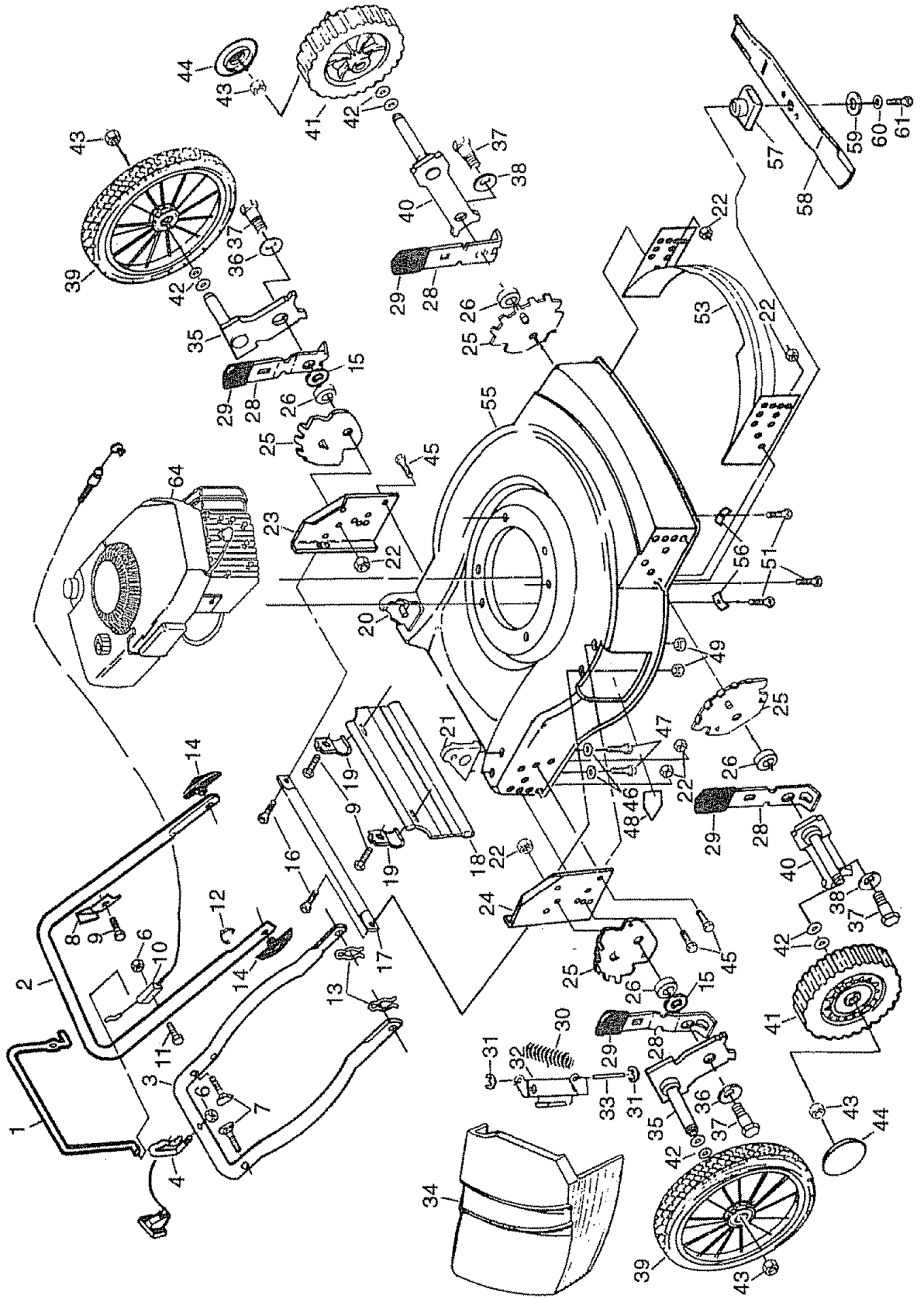
IMPORTANT: NEVER COVER MOWER WHILE ENGINE AND EXHAUST ARE STILL WARM.



CAUTION: Never store the lawn mower with gasoline in the tank inside a building where fumes may reach an open flame or spark. Allow the engine to cool before storing in any enclosure.

REPAIR PARTS

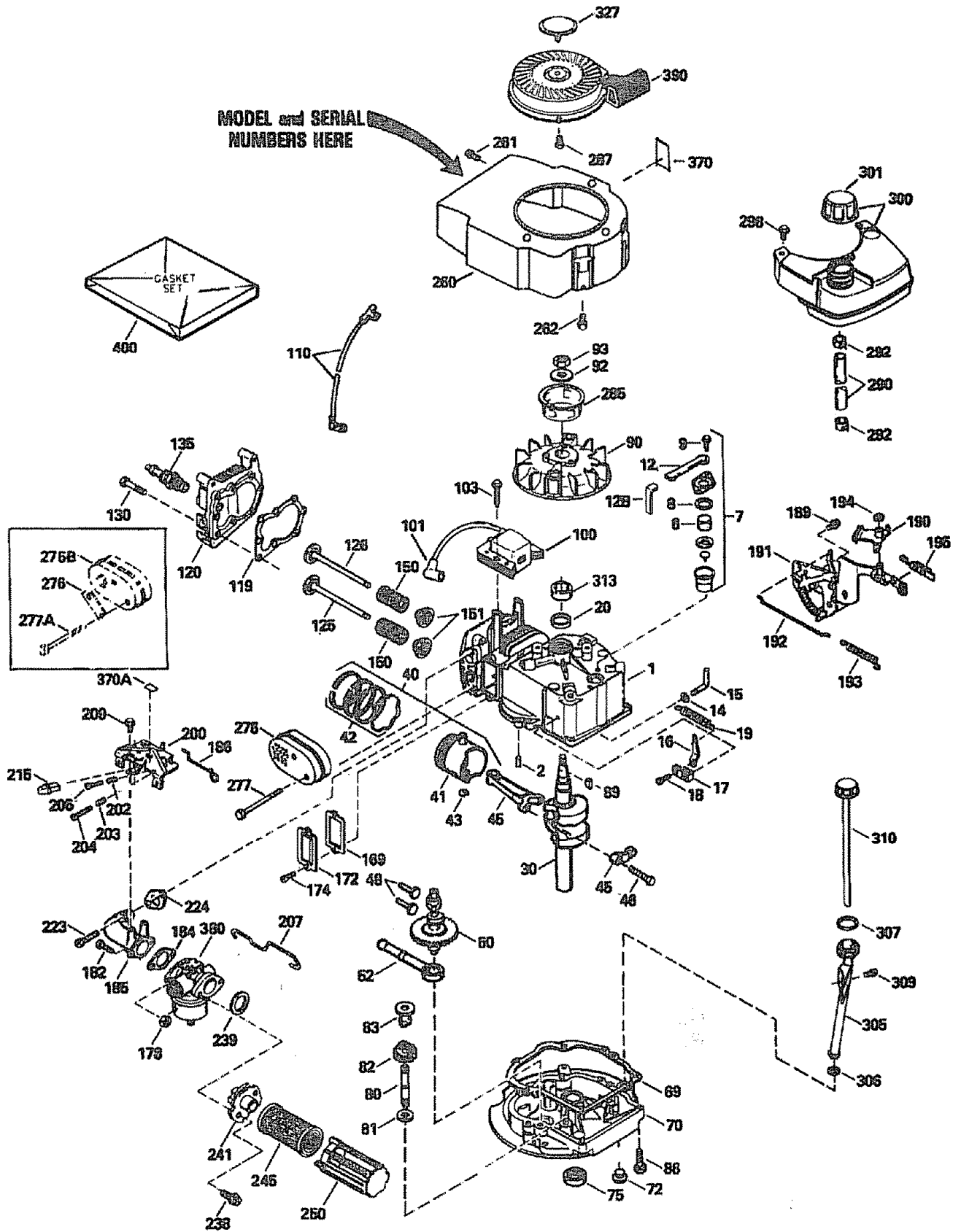
CRAFTSMAN 22" ROTARY LAWN MOWER MODEL NO. 917.380520



REPAIR PARTS

CRAFTSMAN 22" ROTARY LAWN MOWER MODEL NO. 917.380520

KEY NO.	PART NO.	DESCRIPTION	KEY NO.	PART NO.	DESCRIPTION
1	86902	Control Bar	38	62335	Belleville Washer
2	133088X479	Upper Handle	39	701401	Wheel & Tire Assembly (Rear)
3	84676X479	Lower Handle	40	750610X004	Axle Arm Assembly
4	103672X	Rope Guide	41	800333	Wheel & Tire Assembly (Front)
6	STD541425	Locknut 1/4-20	42	57143	Wave Washer
7	131959	Handle Bolt	43	83923	Locknut 3/18-16
8	850733X004	Up-Stop Bracket	44	77400	Hubcap
9	750097	Hex Thread Rolling Screw #10-24 x 3/4	45	74760612	Hex Head Bolt 3/8-16 x 3/4
10	130861	Engine Zone Control Cable	46	59289	Flat Washer
11	74350424	Hex Head Bolt 1/4-20-1-1/2	47	55187	Screw 5/16-18 x 3/4
12	85827	Cable Clip	48	85463	Danger Decal
13	51793	Hairpin Cotter	49	STD541425	Locknut 1/4-20
14	136376	Handle Knob	51	850998	Hex Head Thread Rolling Screw 3/8-16 x 1
15	88348	Flat Washer 3/8	53	700869X479	Front Baffle
16	STD512505	Hex Head Self Tapping Screw 1/4-20 x 1/2	54	134027X479	Rear Baffle (Not Shown)
17	750157	Support Rod	55	48346	Lawn Mower Housing (Incl. Ref. #48, 53, 54)
18	128797	Rear Deflector	56	851201X004	Engine Washer
19	87584X004	Deflector Bracket	57	851514	Blade Adapter
20	701971X479	Handle Bracket Assembly (Left)	58	850973	22" Blade
21	701969X479	Handle Bracket Assembly (Right)	59	851074	Washer
22	751592	Locknut 3/8-16	60	850263	Helical Hardened Lockwasher 3/8
23	750388X479	Support Bracket (Left)	61	851084	Hex Head Machine Screw 3/8-24 x 1/4 Grd. 8
24	750386X479	Support Bracket (Right)	64	141095	Engine - Craftsman Model No. 143.945004
25	750085X007	Wheel Adjuster Bracket	--	141201	Owner's Manual (English)
26	84920	Spacer	--	141202	Owner's Manual (Spanish)
28	850855X004	Selector Spring	Available accessories not included with lawn mower:		
29	87877	Selector Knob	71	33072	Grass Catcher
30	87589	Torsion Spring	71	33201	Mulcher Kit
31	12000014	E-Ring	71	33623	Gas Can (2.5 gal.)
32	87593	Housing Bracket Assembly	71	33500	Fuel Stabilizer
33	87590	Hinge Rod	71	33300	SAE 30W Oil (20 oz.)
34	750149	Discharge Guard	71	33316	Mower Cover
35	750913X004	Axle Arm Assembly (Rear)			
36	61651	Spring Washer (Rear)			
37	84921	Shoulder Bolt 3/8-16			



CRAFTSMAN 4-CYCLE ENGINE

MODEL NUMBER 143.945004

REF NO.	PART NO.	DESCRIPTION	REF NO.	PART NO.	DESCRIPTION
1	36478	Cylinder (Includes Ref. #2 and 20)	178	29752	Nut and Lock Washer 1/4-28
2	26727	Dowel Pin	182	6201	Screw 1/4-28 x 7/8
6	33734	Breather Element	184	26756	* Carburetor To Intake Pipe Gasket
7	34214A	Breather Assembly (Includes Reference Numbers 6, 8, 9 and 12)	185	31384A	Intake Pipe (Includes Ref. #224)
8	33735	* Breather Gasket	186	34337	Governor Link
9	30200	Screw #10-24 x 9/16	189	650839	Screw 1/4-20 x 3/8
12	33886	Breather Tube	190	35831	Brake Lever
12B	34695	Breather Tube Elbow	191	35039B	S.E. Brake Bracket (Includes #195)
14	28277	Washer	192	34966	Brake Control Link
15	30589	Governor Rod (Includes Ref. #14)	193	34965	Brake Spring
16	31383A	Governor Lever	194	32309	Retaining Ring
17	31335	Governor Lever Clamp	195	610973	Terminal
18	650548	Screw #8-32 x 5/16	200	35727	Control Bracket (Includes Reference Numbers 202 thru 205)
19	36281	Extension Spring	202	36482	Compression Spring
20	32600	Oil Seal	203	31342	Compression Spring
30	35996	Crankshaft	204	650549	Screw #5-40 x 7/16
40	36073	Piston, Pin & Ring Set, Std. Size	205	650777	Screw #6-32 x 21/32
	36074	Piston, Pin & Ring Set, .010" Over	207	34336	Throttle Link
	36075	Piston, Pin & Ring Set, .020" Over	209	30200	Screw 10-24 x 9/16
41	36070	Piston & Pin Assembly, Std. Size	215	32410	Control Knob
	36071	Piston & Pin Assembly, .010" Over	223	650451	Screw 1/4-20 x 1
	36072	Piston & Pin Assembly, .020" Over (Assemblies Include Ref. #43)	224	34690A	* Intake Pipe Gasket
42	36076	Ring Set, Piston, Standard Size	238	650932	Screw #10-32 x 49/64
	36077	Ring Set, Piston, .010" Oversize	239	34338	* Air Cleaner Gasket
	36078	Ring Set, Piston, .020" Oversize	241	35797	Air Cleaner Collar
43	20381	Piston Pin Retaining Ring	245	35066	Air Cleaner Filter
45	30963B	Connecting Rod Assy. (Incl. #46)	250	35065	Air Cleaner Cover
46	32610A	Connecting Rod Bolt	260	36420A	Blower Housing
48	27241	Valve Lifter	261	30200	Screw 10-24 x 9/16
50	35992	Camshaft (BCR)	262	650831	Screw 1/4-20 x 1/2
52	29914	Oil Pump Assembly	275	36473	Muffler (Includes Reference #277)
69	35261	* Mounting Flange Gasket	275B	391020	Spark Arrestor Muffler (Includes Reference #277A)(Optional)
70	34311D	Mounting Flange (Incl. #72 thru 83)	276	33753	Locking Plate
72	36083	Oil Drain Plug	277	650988	Screw 1/4-20 x 2-13/64
75	27897	Oil Seal	277A	650795	Screw 1/4-20 x 2-1/4 (Optional)
80	30574A	Governor Shaft	285	35000	Starter Cup
81	30590A	Washer	287	650926	Screw #8-32 x 21/64
82	30591	Governor Gear Assy. (Includes #81)	290	30705	Fuel Line
83	30588A	Governor Spool	292	26460	Fuel Line Clamp
86	650488	Screw 1/4-20 x 1-1/4	298	28763	Screw #10-32 x 35/64
89	611004	Flywheel Key	300	34369B	Fuel Tank (Includes #292 and 301)
90	611112	Flywheel	301	35355	Fuel Cap
92	650815	Belleville Washer	305	35647	Oil Fill Tube
93	650816	Flywheel Nut	306	34265	* O-Ring
100	34443A	Solid State Ignition	307	35499	O-Ring
101	610118	Spark Plug Cover	309	650562	Screw #10-32 x 1/2
103	650814	Screw, Torx T-15 #10-24 x 1	310	35648	Dipstick
110	34961	Ground Wire	313	34080	Spacer
119	36477	* Cylinder Head Gasket	327	35392	Starter Plug
120	36476	Cylinder Head	370	36261	Instruction Decal
125	36471	Exhaust Valve, Standard Size	370A	35167	Instruction Decal
	36472	Exhaust Valve, 1/32" Oversize	380	632646	Carburetor (Includes Ref. #184)
126	29314B	Intake Valve, Standard Size	390	590694	Rewind Starter
	29315C	Intake Valve, 1/32" Oversize (All Valves Include Reference #151)	400	36481	Gasket Set (Includes All Items Marked *)
130	6021A	Screw 5/16-18 x 1-1/2			
135	35395	Resistor Spark Plug (RJ19LM)			
150	35991	Valve Spring			
151	31673	Valve Spring Cap			
169	27234A	* Valve Cover Gasket			
172	32755	Valve Cover			
174	30200	Screw 10-24 x 9/16			

RPM Settings: Low: 2450-2750, High: 2900-3200

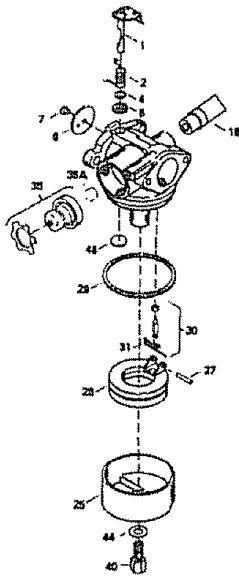
NOTE: This engine could have been built with 590686 Starter. Refer to design of air intake louvers for part identification. Individual starter parts do not interchange.

NOTE: All component dimensions given in U.S. inches
1 inch = 25.4 mm

CRAFTSMAN 4-CYCLE ENGINE

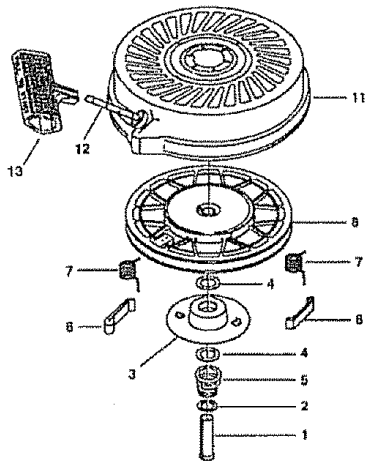
MODEL NUMBER 143.945004

CARBURETOR NO. 632646



REF NO.	PART NO.	DESCRIPTION
--	632646	Carburetor, Complete (Includes #184 of Engine Parts List)
1	631615	Throttle Shaft and Lever Assembly
2	631767	Throttle Return Spring
4	631184	Dust Seal Washer, Throttle
5	631183	Dust Seal, Throttle
6	632504	Throttle Shutter
7	650506	Shutter Screw
16	631807	Fuel Fitting
25	631867	Float Bowl
27	631024	Float Shaft
28	632019	Float
29	631028	Float Bowl "O" Ring
30	631021	Inlet Needle, Seat & Clip (Includes Reference Number 31)
31	631022	Spring Clip
35	632694	Primer Bulb/Retaining Ring
35A	632647	Primer Bulb Filter
40	632503	High Speed Bowl Nut
44	27110	Bowl Nut Washer
48	631027	Weich Plug, Atmospheric Vent

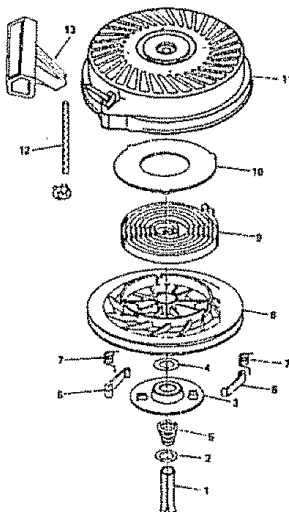
REWIND STARTER NO. 590694



REF NO.	PART NO.	DESCRIPTION
--	590694	Recoil Starter, Complete
1	590599A	Spring Pin (Includes Reference #4)
2	590600	Washer
3	590696	Retainer
4	590601	Washer
5	590697	Brake Spring
6	590698	Starter Dog
7	590699	Dog Spring
8	590700	Pulley & Rewind Spring Assembly
11	590695	Starter Housing Assembly (40 Degree Grommet)
12	590535	Starter Rope (98" Long, 9/64" Dia.)
13	590701	Starter Handle

NOTE: All component dimensions given in U.S. inches
1 inch = 25.4 mm

REWIND STARTER NO. 590686



REF NO.	PART NO.	DESCRIPTION
--	590686	Recoil Starter
1	590599A	Spring Pin (Includes Reference #4)
2	590600	Washer
3	590615	Retainer
4	590601	Washer
5	590598	Brake Spring
6	590616	Starter Dog
7	590617	Dog Spring
8	590618A	Pulley Assembly (Includes Reference Numbers 9 and 10)
9	590619	Rewind Spring
10	590620	Spring Cover
11	590687	Starter Housing Assembly (40 Degree Grommet)
12	590535	Starter Rope (98" Long, 9/64" Dia.)
13	590452	Starter Handle

NOTE: All component dimensions given in U.S. inches
1 inch = 25.4 mm

TROUBLESHOOTING POINTS

PROBLEM	CAUSE	CORRECTION
Does not start	<ol style="list-style-type: none"> 1 Dirty air filter 2 Out of fuel 3 Stale fuel 4 Water in fuel. 5 Spark plug wire is disconnected. 6 Bad spark plug 7 Loose blade or broken blade adapter. 8 Control bar in released position 9 Control bar defective 	<ol style="list-style-type: none"> 1 Clean/replace air filter 2 Fill fuel tank 3 Drain tank and refill with fresh clean fuel 4 Drain fuel tank and carburetor and refill tank with fresh gasoline 5 Connect wire to plug. 6 Replace spark plug 7 Tighten blade bolt or replace blade adapter 8 Depress control bar to handle 9. Replace control bar
Loss of power	<ol style="list-style-type: none"> 1. Rear of lawn mower housing/blade dragging in heavy grass 2 Cutting too much grass. 3 Dirty air filter. 4 Buildup of grass, leaves and trash under mower 5 Too much oil in engine 6 Walking speed too fast 	<ol style="list-style-type: none"> 1 Set in "Higher Cut" position 2. Set in "Higher Cut" position 3 Clean/replace air filter 4 Clean underside of mower housing 5 Check oil level 6. Cut at slower walking speed
Poor cut - uneven	<ol style="list-style-type: none"> 1 Worn, bent or loose blade 2 Wheel heights uneven 3 Low engine speed. 4 Buildup of grass, leaves, and trash under mower 	<ol style="list-style-type: none"> 1 Replace blade Tighten blade bolt 2 Set all wheels at same height 3 Contact an authorized service center/department 4 Clean underside of mower housing
Excessive vibration	<ol style="list-style-type: none"> 1 Worn, bent or loose blade 2 Bent engine crankshaft 	<ol style="list-style-type: none"> 1. Replace blade Tighten blade bolt. 2 Contact an authorized service center/department
Starter rope hard to pull	<ol style="list-style-type: none"> 1 Engine flywheel brake is on when control bar is released 2 Bent engine crankshaft 3 Blade adapter broken 4 Blade dragging in grass 	<ol style="list-style-type: none"> 1 Depress control bar to upper handle before pulling starter rope 2 Contact an authorized service center/department 3 Replace blade adapter 4 Move lawn mower to cut grass or to hard surface to start engine
Grass catcher not filling (If so equipped)	<ol style="list-style-type: none"> 1 Cutting height too low 2 Lift on blade worn off 3 Catcher not venting air. 4 Low engine speed. 	<ol style="list-style-type: none"> 1 Raise cutting height 2 Replace blade. 3 Clean grass catcher 4 Contact an authorized service center/department
Hard to push	<ol style="list-style-type: none"> 1 Grass is too high or wheel height is too low 2 Rear of lawn mower housing/blade dragging in grass 3 Grass catcher too full 4 Handle height position not right for you 	<ol style="list-style-type: none"> 1 Raise cutting height 2 Raise rear of lawn mower housing one (1) setting higher 3 Empty grass catcher 4 Adjust handle height to suit

SEARS

**OWNER'S
MANUAL**

**MODEL NO.
917.380520**

**IF YOU NEED
REPAIR SERVICE
OR PARTS:**

FOR REPAIR SERVICE, CALL
THIS TOLL FREE NUMBER:

1-800-4-REPAIR
(1-800-473-7247)

FOR REPLACEMENT PARTS
INFORMATION AND
ORDERING, CALL THIS
TOLL FREE NUMBER:

1-800-FON-PART
(1-800-366-7278)

CRAFTSMAN®

**5.0 HORSEPOWER
22" SIDE DISCHARGE
ROTARY LAWN MOWER**

Each lawn mower has its own model number. Each engine has its own model number.

The model number for your lawn mower will be found on a decal attached to the rear of the lawn mower housing.

The model number for your engine will be found on the blower housing of the engine.

All parts listed herein may be ordered from any Sears, Roebuck and Co. Service Center/Department and most Retail Stores.

**WHEN ORDERING REPAIR PARTS, ALWAYS GIVE THE
FOLLOWING INFORMATION:**

- **PRODUCT - LAWN MOWER**
- **MODEL NUMBER - 917.380520**
- **ENGINE - CRAFTSMAN - MODEL NO. 143.945004**
- **PART NUMBER**
- **PART DESCRIPTION**

Your Sears merchandise has added value when you consider Sears has service units nationwide staffed with Sears trained technicians... professional technicians specifically trained to insure that we meet our pledge to you, we service what we sell.

141201

08/18/93

Printed in U.S.A.

Sears, Roebuck and Co., Hoffman Estates, IL 60179 U.S.A.