



Portable Room AIR CONDITIONER

IMPORTANT SAFETY INFORMATION 3

USING THE AIR CONDITIONER 4

CARE AND CLEANING 7

INSTALLATION INSTRUCTIONS 9

TROUBLESHOOTING 13

LIMITED WARRANTY15

CONSUMER SUPPORT16

OWNER'S MANUAL AND INSTALLATION INSTRUCTIONS

APHS05
APHS06

Write the model and serial numbers here:

Model # _____

Serial # _____

Find these numbers on a label on the side of the air conditioner.



THANK YOU FOR MAKING GE APPLIANCES A PART OF YOUR HOME.

Whether you grew up with GE Appliances, or this is your first, we're happy to have you in the family.

We take pride in the craftsmanship, innovation and design that goes into every GE Appliances product, and we think you will too. Among other things, registration of your appliance ensures that we can deliver important product information and warranty details when you need them.

Register your GE appliance now online. Helpful websites and phone numbers are available in the Consumer Support section of this Owner's Manual. You may also mail in the pre-printed registration card included in the packing material.



IMPORTANT SAFETY INFORMATION

READ ALL INSTRUCTIONS BEFORE USING THE APPLIANCE

IMPORTANT SAFETY INSTRUCTIONS

⚠ WARNING To reduce the risk of fire, electrical shock, injury to persons, or damage when using the air conditioner, follow basic precautions, including the following:

- Read all of the instructions before using this appliance.
- Plug into a grounded 3 prong outlet.
- Do not remove ground prong.
- Do not use an adapter.
- Do not use an extension cord.
- Do not operate the air conditioner if it has a damaged cord or plug, if it is not working properly, or if it has been damaged or dropped.
- The air conditioner should be serviced only by qualified service personnel. Call an authorized service company for examination, repair, or adjustment.
- Disconnect power before servicing.
- Disconnect power before cleaning.

NOTE: Turning off power by pressing the Power button does NOT disconnect the appliance from the power supply.

- Do not install or use the air conditioner in any area where the atmosphere contains combustible gases or where the atmosphere is contaminated. Avoid any chemicals coming in contact with your air conditioner.
- Do not store anything directly on top of the air conditioner.
- Use two or more people to move and install air conditioner.
- Never operate the air conditioner without the filters in place.
- Do not use the air conditioner near a bathtub, shower or wash basin or other wet area.
- This appliance is not intended for use by persons (including children) with reduced physical, sensory or mental capabilities or lack of experience and knowledge, unless they have been given supervision or instruction concerning use of the appliance by a person responsible for their safety.
- Children should be supervised to ensure that they do not play with the appliance.



⚠ WARNING Risk of Fire or Explosion. This unit contains flammable refrigerant. Additional safety precautions must be followed.

- Do not use means to accelerate the defrosting process or to clean, other than those recommended by the manufacturer.
- The appliance shall be stored in a room without continuously operating ignition sources (for example: open flames, an operating gas appliance or an operating electric heater).
- Do not pierce or burn refrigerant tubing. Be aware that refrigerants may not contain an odor.
- Keep ventilation openings clear of obstruction.
- When handling, installing, and operating the appliance, care should be taken to avoid damage to

- the refrigerant tubing.
- Do not drill holes in the unit.
- Maintenance, cleaning, and service should only be performed by technicians properly trained and qualified in the use of flammable refrigerants.
- GE Appliances does not support any servicing of the air conditioner.
- Dispose of air conditioner in accordance with Federal and Local Regulations. Flammable refrigerants require special disposal procedures. Contact your local authorities for the environmentally safe disposal of your air conditioner.

⚠ WARNING How to Insert the Batteries in the Remote Control

- Press the tab and remove the battery cover on the back of the remote.
- Insert new batteries, making sure that the (+) and (-) of battery are installed correctly.
- Reattach the cover by snapping it back into position.

NOTES:

- Use 2 “AAA” (1.5 volt) alkaline batteries. Do not use rechargeable batteries
- Remove the batteries from the remote control if the system is not going to be used for a long time.
- Do not mix old and new batteries. Do not mix alkaline, standard (carbon-zinc) or rechargeable (ni-cad, ni-mh, etc) batteries.

⚠ WARNING Caution for Ingestion. The battery may cause suffocation if swallowed by children.

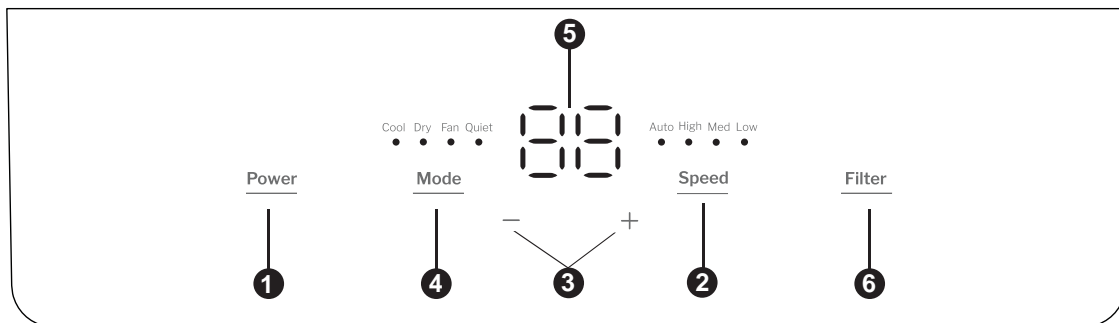
READ AND SAVE THESE INSTRUCTIONS



Controls

Features and appearance will vary.

Lights next to the touch pads on the air conditioner control panel indicate the selected settings.



1. Power Button

Press the **Power** button to turn unit **ON/OFF**.

2. Fan Speed Button

Press the **Speed** button to choose **Low, Medium, High,** or **Auto** speed.

3. + / – Button for Temperature and Timer

In **Cooling, Dry,** or **Quiet** modes, press the **+ or –** button to increase or decrease the temperature setting.

4. Mode Button

Press the **Mode** button to choose **Cool, Dry, Fan** or **Quiet**.

5. Temperature and Timer Display

The window will indicate temperature and time.

6. Filter Button

This feature automatically notifies you that the air filter must be cleaned. The indicator light will come on after 250 hours of operation. Clean the air filter (refer to Care and Cleaning section, Page 7), place it back in the back panel, and press the Filter Reset button. The light will turn off.

Controls

The display will always default to show the room temperature.

When the air conditioner is turned on, it will automatically start in the last mode and fan settings selected.

Cool Mode

Use the **Cool** mode for cooling.

To set the **Cool** mode:

1. Press the **Mode** button until the **Cool** indicator light is lit.
2. Press the **Speed** button to set Low, Medium, High, or Auto fan speed.
3. Press **+ or -** to set the desired temperature.

After settings have been made, the display will change back to show the room temperature.

The temperature control is used to maintain the room temperature. The compressor will cycle on and off to keep the room at the set level of comfort. Set the temperature control at a lower number and the indoor air will become cooler. Set the temperature control at a

higher number and the indoor air will become warmer.

NOTE: If the air conditioner is off and is then turned on while set to Cool, it will take approximately 3 minutes for the compressor to start and cooling to begin.

Cooling Descriptions

For Normal Cooling — Select the **Cool** mode and High, Medium, Low or Auto fan speed with a middle set temperature.

For Maximum Cooling — Select the **Cool** mode and HIGH fan speed with a lower set temperature.

For Quieter & Nighttime Cooling — Select the Quiet mode.

NOTE: If you switch from Cool, Dry or Quiet mode setting to OFF, wait 3 minutes before restarting.

Dry Mode—Dehumidification

Use the **Dry** mode to provide dehumidification only. The fan will run at a fixed speed at this setting, so a fan speed cannot be set. For best performance in **Dry** mode, do not attach the exhaust hose to the window. Additionally, make sure all windows and doors are closed.

To set the Dry mode:

- Press the **Mode** button until the **Dry** indicator light is lit.

NOTE: If you switch from a **Dry** setting to **Off** or to a fan setting, wait at least 3 minutes before switching back to a **Dry** setting.

If using the unit in the **Dry** mode as a dehumidifier for an extended time.

1. Unplug the power cord.
 2. Connect a ½" outer diameter flexible drain hose (not included) to the upper drain port and drain to floor drain.
 3. Reconnect the power cord and press the **Mode** button until the **Dry** indicator light is lit.
-

Fan Mode

Use the **Fan** mode to provide air circulation and filtering without cooling.

To set the Fan mode:

- Press the **Mode** button until the desired indicator light for High, Medium, Low, or Auto fan speed is lit.

Since fan only settings do not provide cooling, a set temperature will not be displayed. After **Fan** speed has been set, the display will change back to show the room temperature.

The exhaust hose and window kit do not need to be installed when operating in fan mode.

Quiet Mode

Use the **Quiet** mode to reduce the noise of the unit while cooling.

To set the **Quiet** mode:

1. Press the **Mode** button until the Quiet indicator light is lit.
2. Press **+ or -** to set the desired temperature.

After settings have been made, the display will change back to show the room temperature. In **Quiet** mode the unit sets the fan speed automatically. Changing the fan speed while in **Quiet** mode will put the unit in **Cool** mode.

Power Outage Recovery Feature

In the case of a power outage or interruption, the unit will automatically re-start in the settings last used after the power is restored.

NOTE: If the **Delay** was set before the power outage, it will need to be reset after power is restored.

Controls

Features and appearance may vary.
Icons on the remote control indicate the selected settings.

Remote Control

1. Power Button

Press the **Power** button to turn unit **ON/OFF**.

2. Fan Speed Button

Press the **Speed** button to choose **High, Medium,** or **Low** speed.

3. + / – Button for Temperature and Timer

In **Cool** or **Quiet** modes, press the **+** or **–** button to increase or decrease the temperature setting.

4. Choose Mode

- Cool
- Dry
- Fan
- Quiet

5. Quiet

Press the **Quiet** button to enter **Quiet** mode.

6. Delay

Press the **Delay** button and use the **+** or **–** buttons to program a time (from 1-hour to 24-hours) for the air conditioner to turn Off or On.

While the air conditioner is in operation:

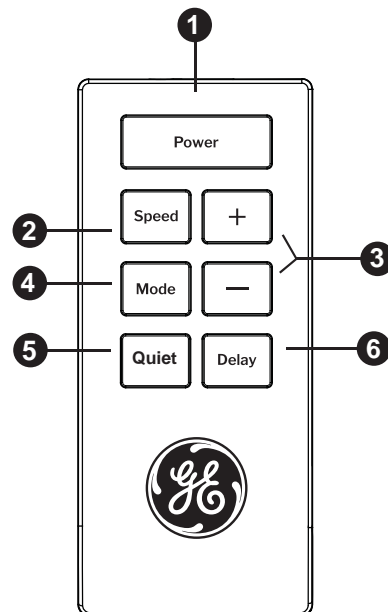
1. Press the **Delay** button.
2. Press the **+** / **–** buttons to select the number of hours you want the air conditioner to continue to operate before turning Off.
3. Wait approximately 60 seconds for the Turn-Off time to be saved.

While the air conditioner is off:

1. Press the **Delay** button.
2. Press the **+** / **–** buttons to select the number of hours you want the air conditioner to continue to operate before turning On.
3. Wait approximately 60 seconds for the Turn-On time to be saved.

To cancel the delay:

1. Press the **Delay** button once to display the hours remaining on the current delay.
2. Press the **Delay** button again and the delay will be canceled.



Care and Cleaning

Cleaning

⚠ WARNING



Electrical Shock Hazard

Disconnect power before cleaning.

Failure to do so can result in death or electrical shock.

1. Unplug or disconnect power.
2. Use only a soft cloth dampened with water to clean the cabinet.

NOTE:

- Do not use a liquid or spray cleaner to clean the air conditioner.
 - DO NOT use chemicals, abrasives, ammonia, chlorine bleach, concentrated detergents, solvents or scouring pads. Some of these chemicals/items may damage and/or discolor your air conditioner.
3. Dry thoroughly with a soft cloth.
 4. Plug in or reconnect power.

Air Filter

The air filters should be cleaned at least every two weeks for your unit to operate at optimum efficiency.

⚠ CAUTION

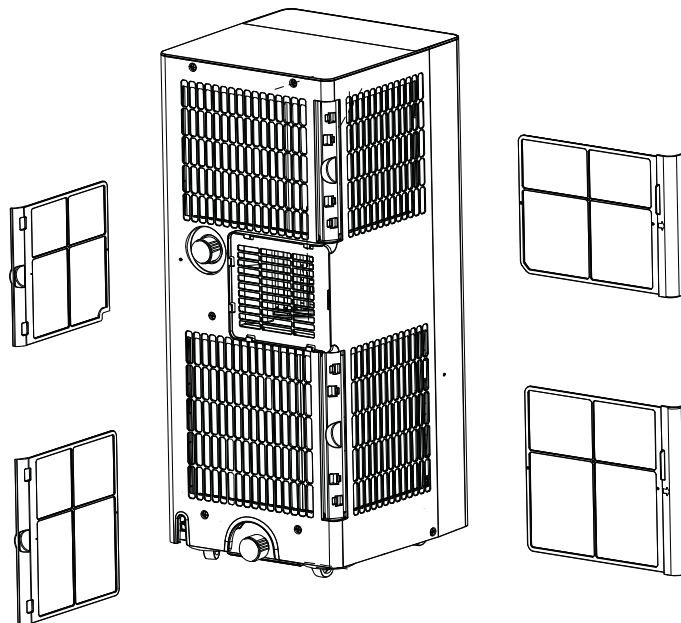
DO NOT operate the air conditioner without a filter because dirt and lint will clog it and reduce performance.

To remove:

1. Unplug or disconnect power.
2. Pull to remove upper filter panel.
3. Wash or vacuum the dust from the air filters.

NOTE: If washed, gently shake the filter to remove the excess water and dust particles trapped in the filter.

4. Reinstall the filters.
5. Plug in or reconnect power.



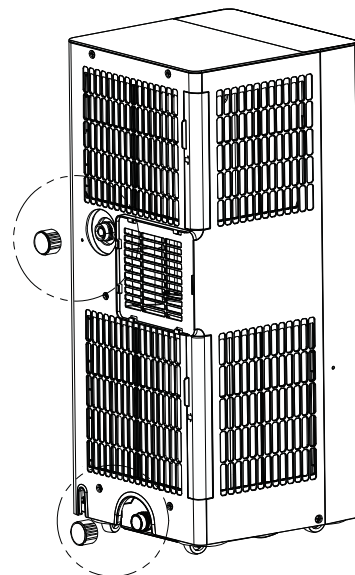
Care and Cleaning

Internal Water Tank

The Water Full indicator (“FL” on the control panel display) illuminates when the internal water tank has filled with condensed water.

To Empty the Internal Water Tank:

1. Unplug or disconnect power.
2. Place a shallow 1 quart or larger pan (not included) below the lower drain located on the back (near the bottom) of the air conditioner.
3. Remove the cap and the rubber plug and drain the water tank.
4. Re-insert the drain plug and screw the cap snugly into place.
5. Plug in or reconnect power.



Storage

If the unit is not being used for a long period of time:

To Empty the Internal Water Tank:

1. Unplug or disconnect power.
2. Drain the water from the water tank. (See “Internal Water Tank section” above.)

3. Use the original packaging to repack the unit to avoid a buildup of dust or dirt.

4. Store the air conditioner in a cool, dry location.

How to Insert the Batteries in the Remote Control

1. Press the tab and remove the battery cover on the back of the remote.
2. Insert new batteries, making sure that the (+) and (–) of battery are installed correctly.
3. Reattach the cover by snapping it back into position.

NOTES:

- Use 2 “AAA” (1.5 volt) alkaline batteries. Do not use rechargeable batteries.
- Remove the batteries from the remote control if the system is not going to be used for a long time.
- Do not mix old and new batteries. Do not mix alkaline, standard (carbon-zinc) or rechargeable (ni-cad, ni-mh, etc) batteries.

Installation Instructions

Questions? Call GE Appliances at 800.GE.CARES (800.432.2737) or visit our Website at: GEAppliances.com.
In Canada, call 1.800.561.3344 or visit our Website at: GEAppliances.ca

BEFORE YOU BEGIN

Read these instructions completely and carefully.

- **IMPORTANT** — Save these instructions for local inspector's use.
- **IMPORTANT** — Observe all governing codes and ordinances.
- **Note to Installer** – Be sure to leave these instructions with the Consumer.
- **Note to Consumer** – Keep these instructions for future reference.
- **Skill level** – Installation of this appliance requires basic mechanical skills.
- **Completion time** – Approximately 1 hour
- We recommend that two people install this product.
- Proper installation is the responsibility of the installer.
- Product failure due to improper installation is not covered under the Warranty.
- You **MUST** use all supplied parts and use proper installation procedures as described in these instructions when installing this air conditioner.

ELECTRICAL REQUIREMENTS



Some models require a 115/120-volt AC, 60-Hz grounded outlet protected with a 15-amp time-delay fuse or circuit breaker.

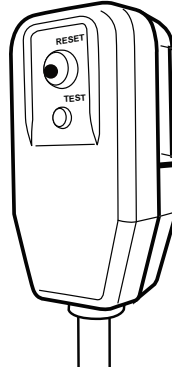
The 3-prong grounding plug minimizes the possibility of electric shock hazard. If the wall outlet you plan to use is only a 2-prong outlet, it is your responsibility to have it replaced with a properly grounded 3-prong wall outlet.

⚠ CAUTION

Do not, under any circumstances, cut or remove the third (ground) prong from the power cord.

Do not change the plug on the power cord of this air conditioner.

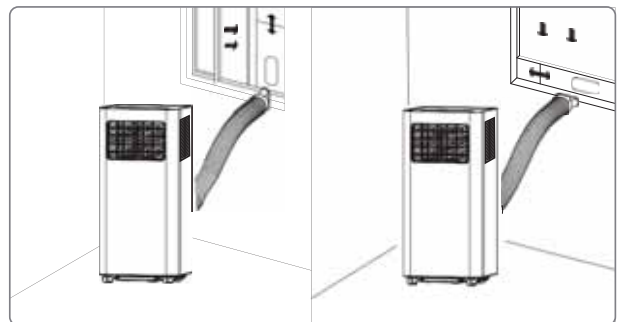
Aluminium house wiring may present special problems—consult a qualified electrician.



Power cord includes a current interrupter device. A test and reset button is provided on the plug case. The device should be tested on a periodic basis by first pressing the **TEST** button and then the **RESET** button while plugged into the outlet. If the **TEST** button does not trip or if the **RESET** button will not stay engaged, discontinue use of the air conditioner and contact a qualified service technician.

LOCATION REQUIREMENTS

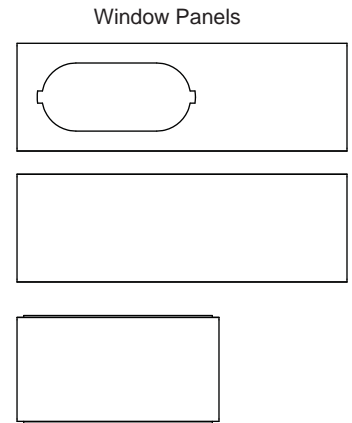
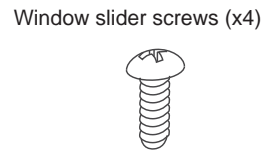
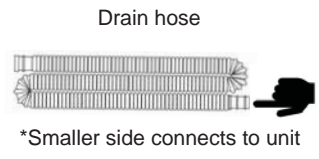
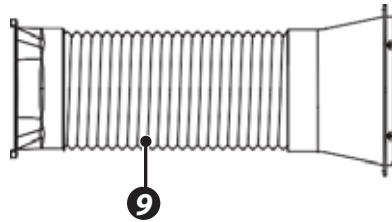
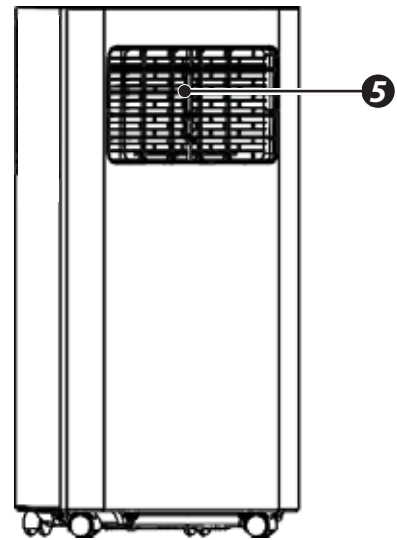
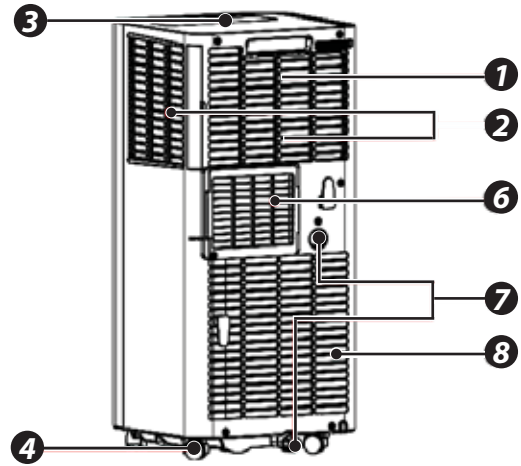
- Place the air conditioner on a flat, level surface. For optimal performance place portable 20" from exterior wall. For all other sides a minimum distance of 30" should be maintained.
- Keep the air conditioner free of any obstructions such as drapes, curtains, blinds, etc.
- The exhaust hose should be free of any obstructions.
- Do not place the air conditioner on an unstable or raised surface because it could fall and cause damage or injury.
- Do not place the air conditioner in direct sunlight or near a heat source such as baseboard heaters, stoves, etc.
- The window panel can be installed in a window with a minimum 20" (55.88 cm) to a maximum 46" (121.92) opening.



Installation Instructions

PARTS INCLUDED (Appearance may vary)

1. Handle
2. Air Inlet Grille (Up)
3. Control Panel
4. Casters
5. Louver
6. Air Outlet Grille
7. Drainage Hole
8. Air Inlet Grille (Down)
9. Air Exhaust Duct Assembly



Installation Instructions

1. UNPACK AIR CONDITIONER

⚠ WARNING

Excessive Weight Hazard

Use two or more people to move and install air conditioner.

Failure to do so can result in back or other injury.

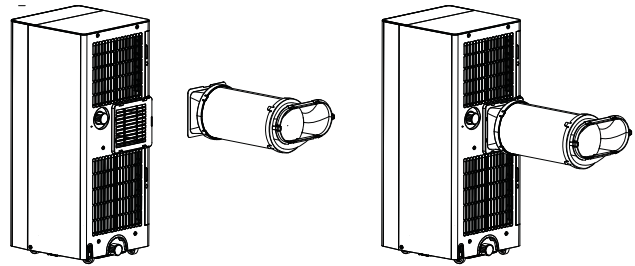
- Remove packaging materials. Save the carton and the foam packaging for storing the air conditioner when not in use.

NOTE: There are NO packing materials inside the air conditioner to remove—Do Not open the cabinet.

- Properly dispose of/recycle all packing material.
- Handle the air conditioner gently.
- Keep the air conditioner upright and level. Do not set the air conditioner on its side, front, back or upside down.

2. INSTALL EXHAUST HOSE ASSEMBLY TO BACK OF UNIT

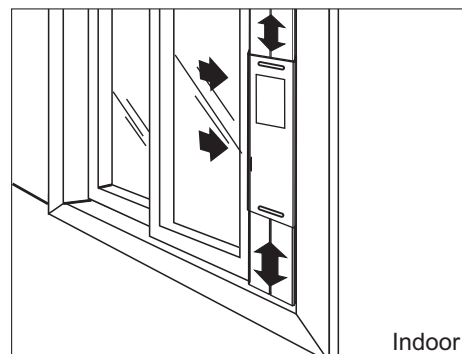
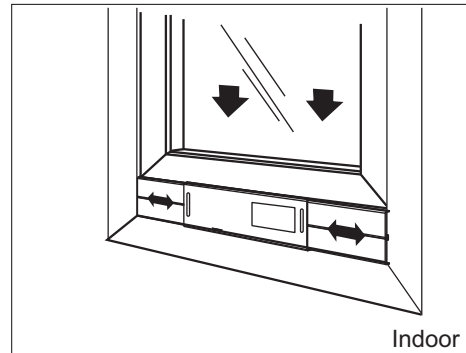
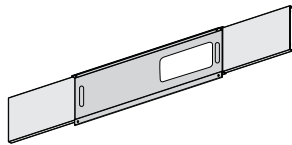
Install the exhaust hose assembly by sliding the hose into the exhaust port on the back of the Air Conditioner until the latches engage.



3. INSTALL WINDOW PANELS

A. Measure the window opening. For a 20" opening, use only the Window Kit panel with the Exhaust Hose Adapter opening. For openings from 20" to 30", attach the connector panel to the adapter panel. For openings from 30" to 36", also insert the next larger panel. For openings larger than 36", use the adapter panel, connector panel, and the largest panel.

B. Place the Window Kit into the window opening and slide the side panels (if being used) outward to fill the opening. Attach the panels with the provided screws. Slide the window shut against the window kit.

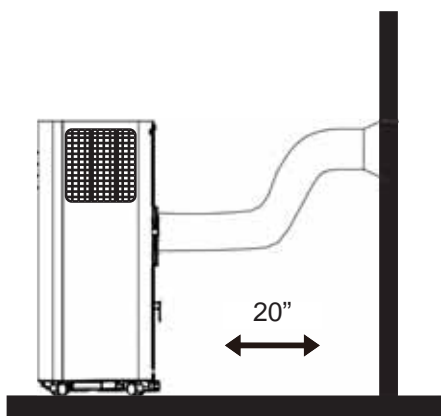
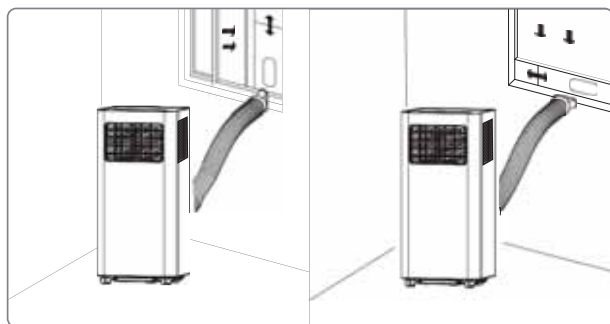


Installation Instructions

4. CONNECT EXHAUST HOSE TO THE WINDOW PANEL

Place the Air Conditioner 20" from the wall and any other obstructions. Extend the hose so that it reaches the Window Kit. Insert the Exhaust Hose Adapter into the opening in the Window Kit and slide it into the locking position. Ensure that the hose runs straight to the window with no excess extension. Use the small screw to attach the exhaust hose assembly to the window sealing plate assembly.

IMPORTANT: The Air Conditioner must be vented to the outside. Do not use a longer hose or extend the hose included with the Air Conditioner or the unit will not cool properly and will overheat.



5. COMPLETE INSTALLATION

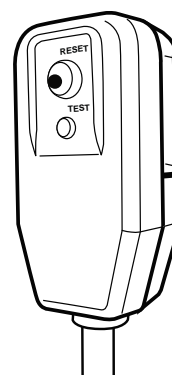
⚠ WARNING



Electrical Shock Hazard

Plug into a grounded 3 prong outlet.
 Do not remove the ground prong from the power cord plug.
 Do not use an adapter.
 Do not use an extension cord.
 Failure to do so can result in death, fire or electrical shock.

1. Plug the power cord into a grounded 3 prong outlet.
2. Press the Reset button on the plug to ensure the safety plug is providing power to the Air Conditioner.
3. Allow 20" of clearance around the Air Conditioner for proper air circulation
4. When removing the Air Conditioner, be sure to remove the Window Kit.



Troubleshooting Tips

Problem	Possible Causes	Solution
Unit does not start or operate	Power supply cord is not plugged into an outlet.	Plug the power cord into a grounded 3 prong outlet.
	Power supply cord has tripped.	Press and release the RESET button on the power supply cord.
	The Power button has not been pressed.	Press the Power button on the Control Panel or Remote Control to turn ON the air conditioner.
	There is no power to the electrical outlet.	Plug a working lamp into the outlet to check for power.
	A household fuse has blown or a circuit breaker has tripped.	Replace the fuse or reset the circuit breaker.
	The control was programmed for a Time Delay.	Cancel the Time Delay. See "Control Panel."
	The batteries in the remote control are dead.	Replace the batteries.
	The internal water tank is full. NOTE: The air conditioner automatically turns off, and the Water Full indicator illuminates to alert you of this condition.	Empty the water tank. See "Care and Cleaning."
Remote control is not working	Batteries are dead.	Replace the batteries.
	Batteries are installed incorrectly.	Make sure the batteries are inserted in the correct position.
Air conditioner is working but the room is not cooling.	The room temperature is hot. NOTE: On extremely hot and humid days, the air conditioner will take longer to cool the room.	Allow time for the room to cool when you first turn on the unit. Make sure the air conditioner has an adequate BTU rating for the size of the room being cooled.
	The control is set incorrectly to Fan or Dehum mode.	Set the Mode to Cool and the Fan Speed to High.
	Airflow is restricted.	Remove any obstacles to the airflow and redirect airflow for uniform cooling.
	Temperature set too high.	Lower the set temperature.
	Air filters are dirty or restricted.	Clean the air filter. See "Care and Cleaning."
	Air conditioner installed incorrectly	Check the exhaust hose and window panel for proper installation.
	Doors and windows are open.	Close the doors and windows to the room being cooled to prevent cooled air from escaping.

Error Codes

Code	Meaning
EP	Abnormal room temperature sensor
E1	Abnormal tube temperature sensor
FL	Float sensor error



Limited Warranty

For The Period Of:	Will Replace:
One Year From the date of the original purchase	Replacement, repair, or refund of the original retail price for any product which fails due to a defect in materials or workmanship. If the unit is exchanged, the replacement unit is warranted for the remainder of your product's original one-year warranty period. GE Appliances will, at its sole discretion, replace the product with a product of the same or comparable functionality and quality or refund the original retail price.

In Order to Make a Warranty Claim During the First 90 Days from the Date of Original Purchase:

- Properly pack your unit. We recommend using the original carton and packing materials.
- Return the product to the retail location where it was purchased.
- Include in the package a copy of the sales receipt or other evidence of date of original purchase. Also print your name and address and a description of the defect.

In Order to Make a Warranty Claim During the Remainder of the One-Year Warranty:

- Locate your original sales receipt and make a note of your model and serial number.
- Call 800.GE.CARES (800.432.2737) or visit GEAppliances.com/service (in the United States) to initiate the product replacement process.
- You will be asked to provide your name, address, date of purchase, model and serial number.
- GE Appliances will arrange for a carton to be sent to your home to recover the product.
- Please return all requested materials (postage pre-paid) in the carton provided. Please include a description of the defect.
- You should receive your replacement product or refund within 7 to 10 business days after your package is received.

What Will Not Cover:

- Customer instruction. This owner's manual provides information regarding operating instructions and user controls.
- Improper installation. If you have an installation problem, or if the air conditioner is of improper capacity, contact your dealer or installer. You are responsible for providing adequate electrical connecting facilities.
- Failure of the product resulting from modifications to the product or due to unreasonable use including failure to provide reasonable and necessary maintenance.
- Replacement of house fuses or resetting of circuit breakers.
- Failure due to corrosion on models not corrosion-protected.
- Damage to the product caused by improper power supply voltage, accident, fire, floods or acts of God.
- Incidental or consequential damage caused by possible defects with this air conditioner.
- Damage caused after delivery.

EXCLUSION OF IMPLIED WARRANTIES - Your sole and exclusive remedy is product repair as provided in this Limited Warranty. Any implied warranties, including the implied warranties of merchantability or fitness for a particular purpose, are limited to one year or the shortest period allowed by law.

For US Customers: This limited warranty is extended to the original purchaser and any succeeding owner for products purchased for home use within the USA. If the product is located in an area where service by a GE Appliances Authorized Servicer is not available, you may be responsible for a trip charge or you may be required to bring the product to an Authorized GE Appliances Service location for service. In Alaska, the limited warranty excludes the cost of shipping or service calls to your home.

Some states do not allow the exclusion or limitation of incidental or consequential damages. This limited warranty gives you specific legal rights, and you may also have other rights which vary from state to state. To know what your legal rights are, consult your local or state consumer affairs office or your state's Attorney General.

Warrantor US:
GE Appliances, a Haier company
 Louisville, KY 40225

Staple your receipt here. Proof of the original purchase date is needed to obtain service under the warranty.



Consumer Support

GE Appliances Website

Have a question or need assistance with your appliance? Try the GE Appliances Website 24 hours a day, any day of the year! You can also shop for more great GE Appliances products and take advantage of all our on-line support services designed for your convenience. In the US: **GEAppliances.com**

Register Your Appliance

Register your new appliance on-line at your convenience! Timely product registration will allow for enhanced communication and prompt service under the terms of your warranty, should the need arise. You may also mail in the pre-printed registration card included in the packing material. In the US: **GEAppliances.com/register**

Schedule Service

Expert GE Appliances repair service is only one step away from your door. Get on-line and schedule your service at your convenience any day of the year. In the US: **GEAppliances.com/service** or call 800.432.2737 during normal business hours.

Extended Warranties

Purchase a GE Appliances extended warranty and learn about special discounts that are available while your warranty is still in effect. You can purchase it on-line anytime. GE Appliances Services will still be there after your warranty expires. In the US: **GEAppliances.com/extended-warranty** or call 800.626.2224 during normal business hours.

Remote Connectivity

For assistance with wireless network connectivity (for models with remote enable), visit our website at **GEAppliances.com/connect** or call 800.220.6899 in the US.

Parts and Accessories

Individuals qualified to service their own appliances can have parts or accessories sent directly to their homes (VISA, MasterCard and Discover cards are accepted). Order on-line today 24 hours every day. In the US: **GEApplianceparts.com** or by phone at 877.959.8688 during normal business hours.

Instructions contained in this manual cover procedures to be performed by any user. Other servicing generally should be referred to qualified service personnel. Caution must be exercised, since improper servicing may cause unsafe operation.

Contact Us

If you are not satisfied with the service you receive from GE Appliances, contact us on our Website with all the details including your phone number, or write to:

In the US: General Manager, Customer Relations | GE Appliances, Appliance Park | Louisville, KY 40225
GEAppliances.com/contact



ACCONDICIONADORES DE AIRE PARA SALA

INFORMACIÓN IMPORTANTE DE SEGURIDAD 3

USO DEL ACONDICIONADOR DE AIRE 4

CUIDADO Y LIMPIEZA 7

INSTRUCCIONES DE INSTALACIÓN 9

SOLUCIONAR PROBLEMAS . .13

GARANTÍA LIMITADA15

SOPORTE AL CLIENTE16

MANUAL DEL PROPIETARIO Y INSTRUCCIONES DE INSTALACIÓN

APHS05
APHS06

Escriba los números de modelo y serie aquí:

de Modelo _____

de Serie _____

Puede encontrar estos números en una etiqueta en el costado del acondicionador de aire.



GRACIAS POR HACER QUE GE APPLIANCES SEA PARTE DE SU HOGAR.

Ya sea que haya crecido usando GE Appliances, o que ésta es su primera vez, nos complace tenerlo en la familia.

Sentimos orgullo por el nivel de arte, innovación y diseño de cada uno de los electrodomésticos de GE Appliances, y creemos que usted también. Entre otras cosas, el registro de su electrodoméstico asegura que podamos entregarle información importante del producto y detalles de la garantía cuando los necesite.

Registre su electrodoméstico GE ahora a través de Internet. Sitios Web y números telefónicos útiles están disponibles en la sección de Soporte para el Consumidor de este Manual del Propietario.

También puede enviar una carta en la tarjeta de inscripción preimpresa que se incluye con el material embalado.



GE APPLIANCES

INFORMACIÓN IMPORTANTE DE SEGURIDAD

LEA TODAS LAS INSTRUCCIONES ANTES DE USAR

INSTRUCCIONES IMPORTANTES DE SEGURIDAD

⚠️ ADVERTENCIA

Para reducir el riesgo de incendio, choque eléctrico, lesiones a personas o daños al utilizar el acondicionador de aire, siga precauciones básicas, incluyendo las siguientes:

- Lea todas las instrucciones antes de usar este electrodoméstico.
- Conecte a un contacto de pared de conexión a tierra de 3 terminales.
- No quite el terminal de conexión a tierra.
- No use un adaptador.
- No use un cable eléctrico de extensión.
- No ponga a funcionar el acondicionador de aire si tiene un cable o enchufe dañado, si no funciona correctamente o si se ha dañado o caído.
- El acondicionador de aire solo debe ser reparado por personal de servicio competente. Llame a la compañía de servicio técnico autorizada para su inspección, reparación o ajuste.
- Desconecte el suministro de energía antes de darle servicio técnico.
- Desconecte el suministro de energía antes de limpiarlo..

NOTA: Si apaga la unidad presionando el botón Power (Encendido), esto NO desconecta el electrodoméstico del suministro de energía.

- No instale ni utilice el acondicionador de aire en áreas donde la atmósfera contenga gases combustibles o donde la atmósfera esté contaminada. Evite que cualquier producto químico entre en contacto con el acondicionador de aire.
- No almacene nada directamente encima del acondicionador de aire.
- Con la ayuda de dos o más personas, mueva e instale el acondicionador de aire.
- Nunca haga funcionar el acondicionador de aire si los filtros de aire no están colocados en su lugar.
- No utilice el acondicionado de aire cerca de una tina, ducha o lavabo ni otra zona húmeda.
- Este electrodoméstico no deberá ser usado por personas (incluyendo niños) con capacidades físicas, sensoriales o mentales reducidas o con falta de experiencia y conocimiento, a menos que cuenten con supervisión o instrucción con relación al uso de este electrodoméstico por parte de una persona responsable de su seguridad.
- Los niños deberán ser supervisados a fin de asegurar que no se juegue con el electrodoméstico.



⚠️ ADVERTENCIA

Riesgo de Incendio o Explosión. Esta unidad contiene refrigerante inflamable. Se deben seguir las precauciones adicionales de seguridad.

- A fin de acelerar el proceso de descongelación o para limpiar, no use ningún método que no sea el recomendado por el fabricante.
- Este electrodoméstico deberá ser guardado en una sala donde no haya fuentes de encendido continuas (por ejemplo: llamas abiertas, un electrodoméstico que funcione a gas o un calefactor que funcione a electricidad).
- No perfore ni queme el tubo refrigerante. Tenga presente que los refrigerantes no deben tener olor.
- Mantenga las aberturas de la ventilación libres de obstrucciones.
- Al mover, instalar y operar el electrodoméstico, se deberá tener cuidado para evitar dañar la tubería del refrigerante.

- No realice perforaciones en la unidad.
- El mantenimiento, la limpieza y el servicio técnico sólo deberán ser realizados por técnicos adecuadamente entrenados y calificados en el uso de refrigerantes inflamables.
- GE no suministra servicio técnico para el acondicionador de aire.
- Descarte el electrodoméstico de acuerdo con las Regulaciones Federales y Locales. Los refrigerantes inflamables requieren procedimientos de descarte específicos. A fin de descartar su acondicionador de aire de forma ambientalmente segura, comuníquese con las autoridades locales.

⚠️ ADVERTENCIA

Cómo Insertar las Baterías en el Control Remoto

- Presione la lengüeta y retire la tapa de la batería sobre la parte trasera del control remoto.
- Inserte las baterías nuevas, asegurándose de que el (+) y (-) de las mismas se instalen de forma correcta.
- Vuelva a colocar la tapa calzando la misma nuevamente hasta su posición.

- Use 2 baterías alcalinas "AAA" (1.5 volt). No use baterías recargables.
- Retire las baterías del control remoto si el sistema no será usado por un período prolongado.
- No use pilas viejas y nuevas al mismo tiempo. No combine baterías alcalinas, estándar (carbono-zinc) o recargables (ni-cad, ni-mh, etc.).

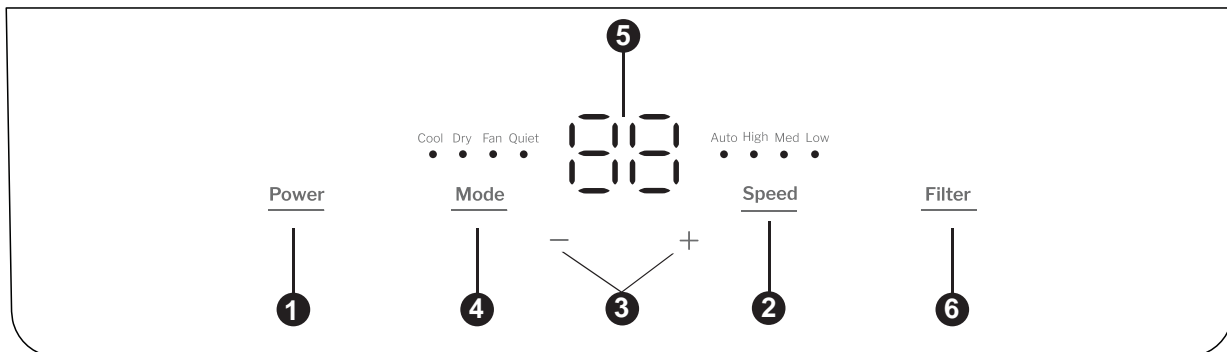
⚠️ ADVERTENCIA

Precaución sobre Ingestión. La batería podrá causar sofocación si es tragada por niños.

LEA Y GUARDE ESTAS INSTRUCCIONES

Controles

Las luces al lado de las teclas de toque en el panel de control del acondicionador de aire indicarán los ajustes seleccionados. Las funciones y el aspecto pueden variar.



1. Botón de encendido (Power)

Presione el botón de **Power** para encender / apagar la unidad.

2. Botón de velocidad del ventilador

Presione el botón **Speed** (Velocidad) para elegir entre las velocidades **Low** (Baja), **Medium** (Media), **High** (Alta) o **Auto** (Automática).

3. Botón + / - para temperatura y temporizador

En el modo de **Cooling** (enfriamiento), **Dry** (Seco), o **Quiet** (Silencioso), presione el botón **+** o **-** para aumentar o disminuir el ajuste de temperatura.

4. Botón de modo

Presione el botón **Mode** (Modo) para elegir entre **Cool** (Frío), **Dry** (Seco), **Fan** (Ventilador), o **Quiet** (Silencioso).

5. Pantalla de temperatura y temporizador

La ventana indicará la temperatura y la hora.

6. Botón del Filtro

Esta función automática le notificará que es necesario realizar la limpieza del filtro de aire. La luz indicadora se encenderá luego de 250 horas de funcionamiento. Limpie el filtro de aire (consulte la sección de Cuidado y Limpieza, Página 7), vuelva a colocarlo en el panel posterior, y presione el botón **Filter Reset** (Reinicio del Filtro). La luz se apagará.

Controles

La pantalla siempre mostrará la temperatura del ambiente por omisión.

Cuando el acondicionador de aire sea encendido, se iniciará de forma automática en las configuraciones de modo y ventilación que fueron usadas por última vez.

Modo de Refrigeración

Use el modo **Cool** (Refrigeración) para enfriar.

Para configurar el modo **Cool**:

1. Presione la tecla **Mode** hasta que la luz indicadora de **Cool** esté encendida.
2. Presione la tecla **Speed** para configurar la velocidad del ventilador en Low, Medium, High o Auto.
3. Presione + o – para configurar la temperatura deseada.

Una vez aplicadas las configuraciones, la pantalla volverá a mostrar la temperatura ambiente.

El control de temperatura se usa para mantener la temperatura del ambiente. El compresor realizará el ciclo de encendido y apagado para mantener la sala en el nivel de confort configurado. Configure el control de temperatura en un número más bajo, y el aire interior comenzará a ser más frío. Configure el control de temperatura en un número más alto, y el aire interior comenzará a ser más caliente.

NOTA: Si el acondicionador de aire está apagado y luego es encendido en la configuración **Cool**, pasarán aproximadamente 3 minutos hasta que el compresor se inicie y comience la refrigeración.

Descripciones de Refrigeración

Para un Enfriamiento Normal—Seleccione el modo **Cool** y la velocidad del ventilador en High, Medium, Low o Auto con una temperatura en la configuración intermedia.

Para un Enfriamiento Máximo—Seleccione el modo **Cool** y la velocidad del ventilador en High con una temperatura en una configuración baja.

Para un Enfriamiento Más Suave y Nocturno—Seleccione el modo **Quiet**.

NOTA: Si pasa de la configuración del modo **Cool**, **Dry** o **Quiet** a OFF, espere 3 minutos antes del reinicio.

Modo Dry (Seco) - Deshumidificación

Use el modo **Dry** sólo para aplicar la deshumidificación.

El ventilador funcionará en una velocidad fija en esta configuración, de modo que no será posible configurar la velocidad de la ventilación. Para un mejor rendimiento del modo **Dry** (Seco), no adhiera la manguera de descarga a la ventana. De forma adicional, asegúrese de que todas las ventanas y puertas estén cerradas.

Para configurar el modo Dry:

- Presione la tecla **Mode** hasta que la luz indicadora de **Dry** esté encendida

En el modo **Dry**, no se mostrará una temperatura configurada. Una vez configurado el modo **Dry**, la pantalla volverá a mostrar la temperatura ambiente.

NOTA: Si pasa de una configuración de **Dry** a **Off** o a una configuración del ventilador, espere por los menos 3 minutos antes de volver a pasar a una configuración de **Dry**.

Si usará la unidad en el modo **Dry** como deshumidificador durante un período de tiempo prolongado:

1. Desenchufe el cable de corriente.
2. Conecte una manguera de drenaje flexible de ½" de diámetro exterior (no incluida) al puerto de drenaje superior y drene hacia el drenaje del piso.
3. Vuelva a conectar el cable de corriente y presione la tecla **Mode** hasta que la luz indicadora de **Dry** esté encendida.

Modo de Ventilación

Use el modo **Fan** para brindar circulación de aire y filtrar sin refrigerar.

Para configurar el modo Fan:

- Presione la tecla **Mode** hasta que la luz indicadora deseada de velocidad en High, Medium, Low, o Auto esté encendida.

Debido a que las configuraciones de sólo ventilador no brindan refrigeración, no será exhibida una temperatura configurada. Una vez configurada la velocidad de **Fan**, la pantalla volverá a mostrar la temperatura ambiente.

Modo Silencioso

Use el modo **Quiet** (Silencioso) para reducir el ruido de la unidad mientras ésta enfría.

Para configurar el modo **Quiet** (Silencioso):

1. Presione el botón **Mode** (Modo) hasta que la luz indicadora de **Quiet** (Silencioso) se ilumine.
2. Presione los botones + o – para configurar la temperatura deseada.

Una vez aplicadas las configuraciones, la pantalla volverá a mostrar la temperatura ambiente. En el modo **Quiet** (Silencioso), la unidad configura la velocidad del ventilador automáticamente. Cambiar la velocidad del ventilador mientras se encuentra en el modo **Quiet** (Silencioso) hará que la unidad pase al modo **Cool** (Frío).

Función de Recuperación por Corte de Suministro

En caso de corte de suministro o interrupción, la unidad se reiniciará de forma automática en las configuraciones usadas por última vez una vez restablecido el servicio.

NOTA: Si **Delay** fue configurado antes del corte de corriente, será necesario reiniciar el mismo una vez restablecido el servicio.

Controles

Las luces al lado de las teclas de toque en el panel de control del acondicionador de aire indicarán los ajustes seleccionados. Las funciones y el aspecto pueden variar.

1. Botón de encendido (Power)

Presione el botón de **Power** para encender / apagar la unidad.

2. Botón de velocidad del ventilador

Presione el botón Speed (Velocidad) para elegir entre las velocidades **High** (Alta), **Medium** (Media), o **Low** (Baja).

3. Botón + / - para temperatura y temporizador

En los modos Cool (Frío) o Quiet (Silencioso), presione el botón + o - para aumentar o disminuir el ajuste de temperatura.

4. Elegir Modo

- **Cool** (Frío)
- **Fan** (Ventilador)
- **Dry** (Seco)
- **Quiet** (Silencioso)

5. Quiet (Silencioso)

Presione el botón **Quiet** (Silencioso) para ingresar al modo **Quiet** (Silencioso).

6. Delay (Retraso)

Presione el botón **Delay** (Retraso) y use los botones + o - para programar un tiempo (entre 1 hora y 24 horas) para que el acondicionador de aire quede configurado en Off (Apagado) u On (Encendido).

Mientras el acondicionador de aire se encuentre en funcionamiento:

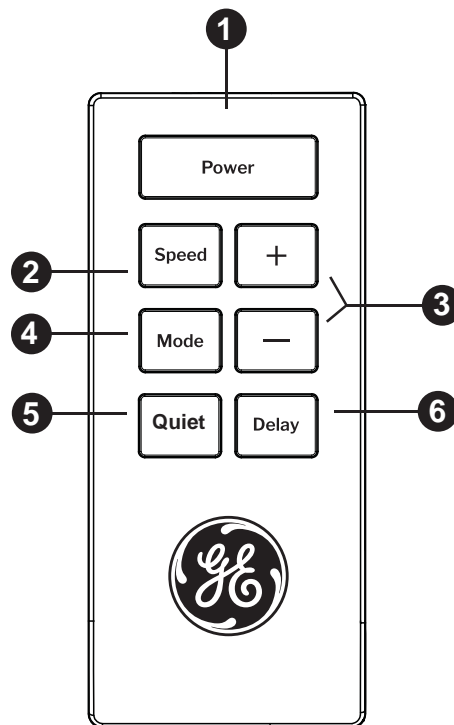
1. Presione el botón **Delay** (Retraso).
2. Presione los botones + / - para seleccionar la cantidad de horas que desea que el acondicionador de aire continúe funcionando antes de que el mismo se apague.
3. Espere aproximadamente 60 segundos hasta que el tiempo de Apagado quede registrado.

Mientras el acondicionador de aire se encuentre apagado:

1. Presione el botón **Delay** (Retraso).
2. Presione los botones + / - para seleccionar la cantidad de horas que desea que el acondicionador de aire continúe funcionando antes de que el mismo se encienda.
3. Espere aproximadamente 60 segundos hasta que el tiempo de Encendido quede registrado.

Para cancelar el retraso:

1. Presione el botón **Delay** (Retraso) una vez para exhibir las horas restantes en el retraso actual.
2. Presione el botón **Delay** (Retraso) nuevamente y el mismo será cancelado.



Limpieza

⚠ ADVERTENCIA



Riesgo de descarga eléctrica.

Desconecte la fuente de alimentación antes de limpiar.
El incumplimiento de estas instrucciones puede provocar la muerte o una descarga eléctrica

1. Desenchufe o desconecte el suministro de energía.
2. Útil solamente un paño dulce humedecido con agua para limpiar el gabinete.

NOTA:

- No use un limpiador líquido o con rociador para limpiar el acondicionador de aire.
 - No usar productos químicos, abrasivos, amoníaco, blanqueador con cloro, detergentes concentrados, solventes o estropajos de metal. Algunos de estos artículos / productos químicos pueden dañar y / o decolorar su acondicionador de aire.
3. Ve bien con un paño dulce.
 4. Enchufe o vuelva a conectar el suministro de energía.

Filtros De Aire

Los filtros de aire deben limpiarse al menos una vez a la semana para garantizar que la unidad funcione con una eficiencia óptima.

⚠ PRECAUCIÓN

No opere el acondicionador de aire si los filtros de aire no están en su lugar.

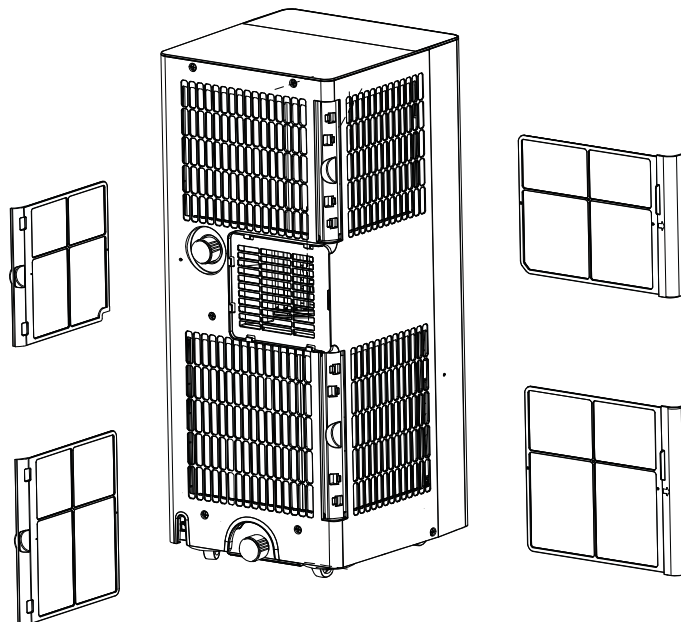
Para eliminar:

1. Desenchufe o desconecte el suministro de energía.
2. Presione hacia usted para retirar el panel del filtro superior.

3. Lava o chupa el polvo de los filtros de aire.

NOTA: Si se lava, agite el filtro para eliminar el exceso de partículas de polvo atrapadas en el filtro.

4. Vuelva ha instalado los filtros.
5. Enchufe o vuelva a conectar el suministro de energía.



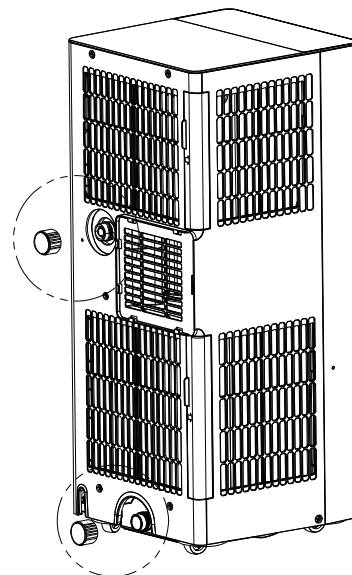
Cuidado y Limpieza

Tanque De Agua Interior

El indicador de agua llena se ilumina cuando el tanque de agua interno está lleno de agua de condensación.

Vaciar el depósito de agua interno:

1. Desconecte o desconecte la fuente de alimentación eléctrica.
2. Coloque un recipiente hueco con una capacidad mínima de 1 cuarto (no incluido) debajo de la piscina de drenaje inferior en la parte posterior del acondicionador de aire (cerca de la parte inferior).
3. Retire la tapa y el tapón de goma y drene el tanque de agua.
4. Vuelva a instalar el tapón de drenaje y apriete firmemente la tapa.
5. Conecte el dispositivo o vuelva a conectar la fuente de alimentación.



Rangement

Durante largos periodos de inactividad del dispositivo:

1. Desconecte o desconecte la fuente de alimentación eléctrica.
2. Drene el agua del tanque de agua. Consulte Mantenimiento de la acondicionador de aire.
3. Coloque la unidad en su embalaje original para evitar la acumulación de polvo o suciedad.
4. Guarde el aire acondicionado en un lugar fresco y seco.

Cómo Insertar Las Pilas En El Control Remoto

1. Presione la lengüeta y retire la tapa de la batería sobre la parte trasera del control remoto.
2. Inserte pilas nuevas cerciorándose de que los polos positivos (+) y negativos (-) están orientados correctamente.
3. Vuelva a colocar la tapa calzando la misma nuevamente en su posición.

NOTAS:

- Use 2 pilas alcalinas "AAA" de 1,5 voltios. No use pilas recargables.
- Retire las pilas del control remoto si no va a usar el sistema por un período prolongado.
- No mezcle baterías nuevas y viejas. No mezcle baterías alcalinas, estándar (carbono-cinc) o recargables (ni-cad, ni-mh, etc).

Instrucciones de instalación

¿Preguntas? Llame a GE Appliances al 800.GE.CARES (800.432.2737) o visite nuestro sitio web en: GEAppliances.com.
En Canadá, llame al 1.800.561.3344 o visite nuestro Sitio Web en: GEAppliances.ca

ANTES DE INICIAR

Lea estas instrucciones completa y cuidadosamente.

- **IMPORTANTE** — Guarde estas instrucciones para uso del inspector local.
- **IMPORTANTE** — Observe todos los códigos y órdenes de ley.
- **Nota al instalador** – Asegúrese de dejar estas instrucciones con el consumidor.
- **Nota al consumidor** – Conserve estas instrucciones para referencia futura.
- **Nivel de destreza** – La instalación de este aparato requiere de destrezas mecánicas básicas.
- **Tiempo de ejecución** – Aprox. 1 hora
- Recomendamos dos personas para la instalación de este producto.
- La instalación apropiada es la responsabilidad del instalador.
- La falla del producto debido a una instalación inadecuada no está cubierta por la garantía.
- Cuando instale este acondicionador de aire, DEBE usar todas las piezas suministradas y usar procedimientos adecuados de instalación.

REQUISITOS ELÉCTRICOS

Algunos modelos requieren tomacorrientes de 115/120 voltios de corriente alterna y 60 Hz conectados a tierra, protegidos con un fusible de dilatación de tiempo de 15 amperios o un cortacircuitos.

El enchufe de tres púas con conexión a tierra minimiza la posibilidad de descargas eléctricas. Si el tomacorriente de la pared que usted planea usar solamente tiene 2 tomas, es su responsabilidad hacer que un técnico lo reemplace por uno de tres tomas con conexión a tierra.

⚠ PRECAUCIÓN

Bajo ninguna circunstancia corte o remueva la tercera púa (conexión a tierra) del cable eléctrico.

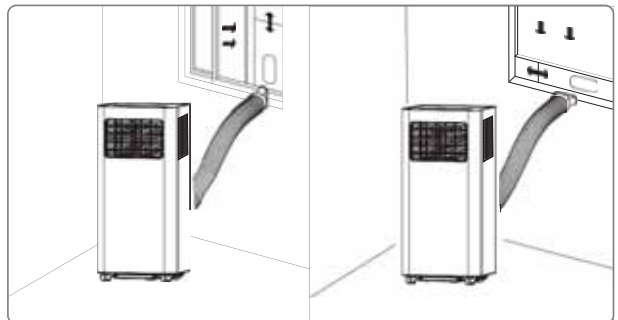
No cambie el enchufe en el cable eléctrico de este acondicionador de aire.

Los cables caseros de aluminio podrían presentar problemas especiales. Consulte a un técnico electricista calificado.

El cable de alimentación incluye un dispositivo para interrupción de corriente. Se incluye un botón de prueba y de reinicio en el dispositivo. El dispositivo debe ponerse a prueba periódicamente: primero se presiona el botón de TEST (prueba) y luego RESET (reinicio) mientras se encuentra enchufado al tomacorriente. Si el botón TEST no se dispara o si el botón RESET no queda enganchado, deje de utilizar el acondicionador de aire y comuníquese con un técnico calificado.

REQUISITOS DE UBICACIÓN

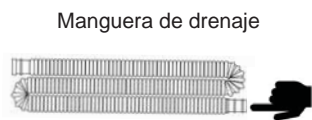
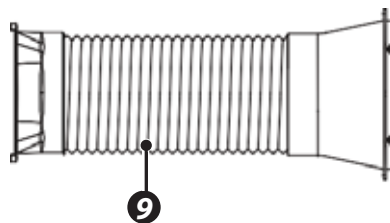
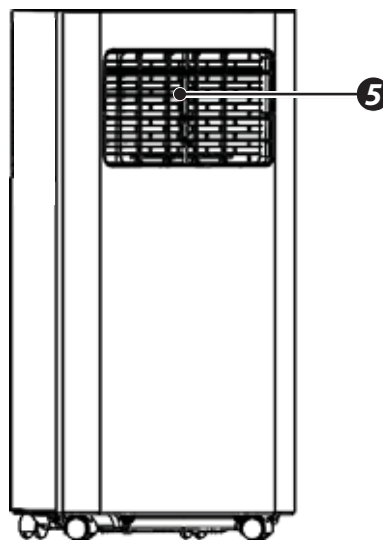
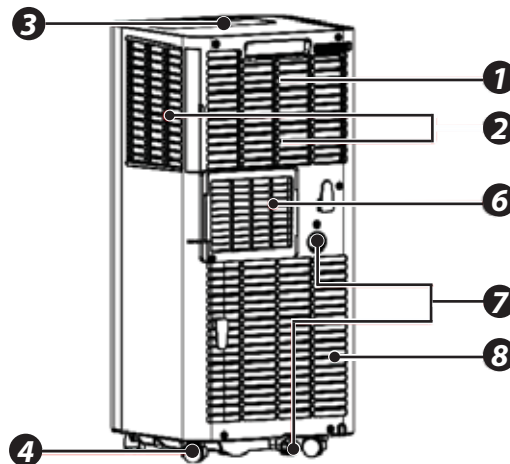
- Coloque el acondicionador de aire sobre una superficie plana y nivelada en una ubicación que esté al menos a 30" de la pared.
- Mantenga el acondicionador de aire libre de obstrucciones como cortinas con pliegues, cortinas, persianas, etc.
- La manguera de escape debe estar libre de cualquier obstrucción.
- No coloque el acondicionador de aire en una superficie inestable o elevada, ya que podría caerse y provocar daños o lesiones.
- No exponga el acondicionador de aire a la luz directa del sol o cerca una fuente de calor como zócalos radiantes, estufas, etc.
- El panel de la ventana puede instalarse en una ventana con una abertura mínima de 20" (55.88 cm) hasta un máximo de 46" (121.92 cm).



Piezas Y Características

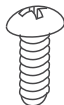
PARTES INCLUIDAS (Apariencia puede variar)

1. Manija
2. Rejilla de Entrada de Aire (arriba)
3. Panel de Control
4. Ruedas
5. Lucerna
6. Rejilla de salida de aire
7. Agujero de drenaje
8. Rejilla de Entrada de Aire (abajo)
9. Conjunto de conducto de escape de aire
10. Kit de sellado de ventanas

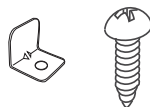


*El lado más pequeño se conecta a la unidad

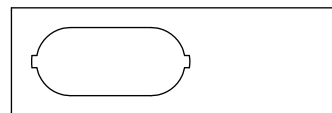
Tornillos del deslizador de ventana (x4)



Soporte de bloqueo de ventana con tornillo



Paneles de Ventana



1. DESEMBALE EL ACONDICIONADOR DE AIRE

⚠ ADVERTENCIA

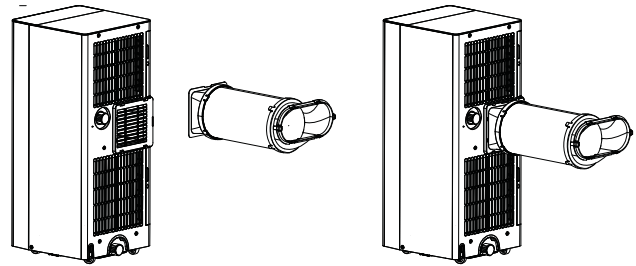
Riesgo de Peso Excesivo

Cuente con la ayuda de dos o más personas para trasladar e instalar el acondicionador de aire. Si esto no se cumple se podrán producir lesiones en la espalda u otras heridas.

- Retire los materiales del embalaje. Conserve el cartón y el embalaje de gomaespuma para guardar el acondicionador de aire cuando no se encuentre en uso.
- NOTA:** NO hay materiales de embalaje dentro del acondicionador de aire que sean necesarios retirar - No abra el gabinete.
- Descarte de forma adecuada/ recicle todos los materiales de embalaje.
 - Manipule el acondicionador de aire de forma suave.
 - Mantenga el acondicionador de aire erguido y nivelado. No ubique el acondicionador de aire sobre su lateral, frente, parte trasera o dado vuelta.

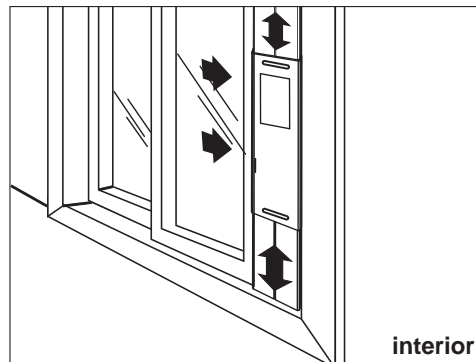
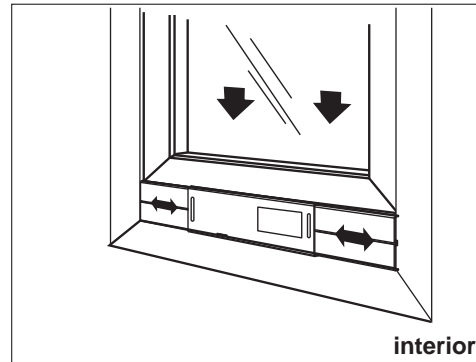
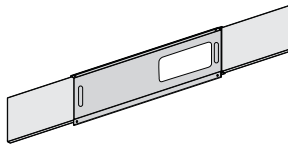
2. INSTALE EL ENSAMBLE DE LA MANGUERA DE SALIDA EN LA PARTE TRASERA DE LA UNIDAD

Instale el ensamble de la manguera de salida deslizando la manguera dentro del puerto de salida sobre la parte trasera del Acondicionador de Aire hasta que se adhieran las trabas.



3. INSTALE LOS PANELES DE LA VENTANA

- A. Mida la abertura de la ventana. Para una abertura de 20", use sólo el panel del Kit de Ventana con el Adaptador de la Manguera de Salida abierto. Para abertura de 20" a 30", adhiera el panel del conector al panel del adaptador. Para aberturas de 30" a 36", también inserte el siguiente panel más grande. Para aberturas mayores a 36", use el panel del adaptador, el panel del conector, y el panel más grande.
- B. Coloque el Kit de Ventana en la abertura de la ventana y deslice los paneles laterales (si se usan) hacia afuera para llenar la abertura. Adhiera los paneles con los tornillos provistos. Deslice el cierre de ventana contra el kit de ventana.

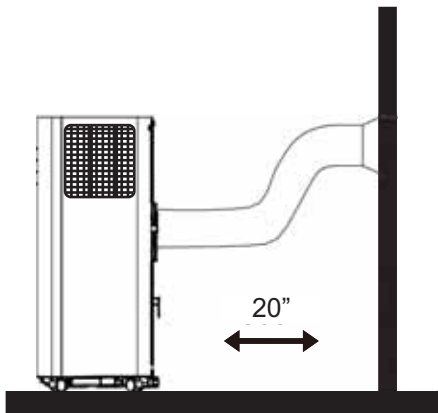
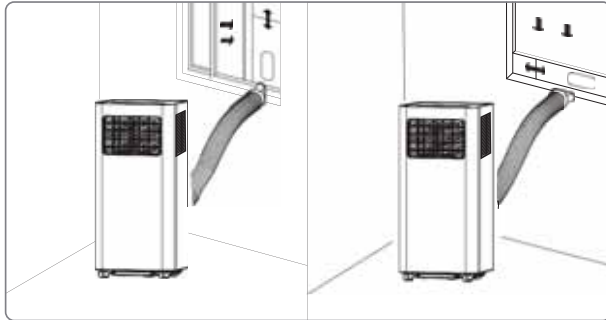


Instrucciones de instalación

4. CONECTE LA MANGUERA DE SALIDA AL PANEL DE LA VENTANA

Coloque el acondicionador de aire a 20" de la pared y cualquier otra obstrucción. Extienda la manguera de modo que llegue hasta el Kit de Ventana. Inserte el Adaptador de la Manguera de Salida en la abertura del Kit de Ventana y deslice el mismo hasta la posición de bloqueo. Asegúrese de que la manguera sea conducida directamente hasta la ventana sin extensiones excesivas. Use un tornillo pequeño para adherir el ensamble de la manguera de salida al ensamble de la placa de sellado de la ventana.

IMPORTANTE: La ventilación del acondicionador de aire deberá estar dirigida hacia la parte exterior. No utilice una manguera más larga ni extienda la manguera incluida con el acondicionador de aire, ya que la unidad no enfriará de forma adecuada y se sobrecalentará.



5. COMPLETE LA INSTALACIÓN

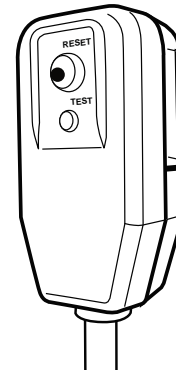
⚠ ADVERTENCIA



Riesgo de Descarga Eléctrica

- Enchufe en un tomacorriente con conexión a tierra de 3 cables.
- No retire la clavija de conexión a tierra del enchufe del cable de corriente.
- No use un adaptador.
- No use un prolongador.
- Si no se cumple con esto, se podrá producir la muerte, incendio o descarga eléctrica.

- Enchufe el cable de corriente en un tomacorriente con conexión a tierra de 3 patas.
- Presione el botón Reset (Reiniciar) del cable de corriente para asegurarse de que el enchufe de seguridad está enviando corriente al acondicionador de aire.
- Deje 20" de espacio alrededor del acondicionador de aire para una correcta circulación de aire.
- Al retirar el acondicionador de aire, asegúrese de retirar el Kit de Ventana.



Solucionar problemas

Problema	Causas posibles	Qué hacer
La unidad no se pone en marcha ni funciona	El cable de suministro de energía no está enchufado en un toma corriente.	Conecte el cable eléctrico a un toma corriente de 3 terminales con conexión a tierra.
	El cable de suministro de energía se ha disparado.	Presione y libere Reset en el cable de suministro de energía.
	El botón Power no se ha presionado.	Presione el botón Power en el panel de control o el control remoto para ENCENDER el acondicionador de aire.
	El toma corriente eléctrico no recibe suministro eléctrico.	Enchufe una lámpara de trabajo en el toma corriente para verificar si hay energía.
	Se ha fundido un fusible de la casa o se ha disparado un cortacircuitos.	Reemplace el fusible o reposicione el cortacircuitos.
	El control fue programado para un tiempo diferido.	Cancele el tiempo diferido. Vea "Panel de control".
	Las pilas del control remoto están agotadas.	Reemplace las pilas.
	El tanque de agua interno está lleno. NOTA: El acondicionador de aire se apaga automáticamente y el indicador Water Full (Máximo nivel de agua) se ilumina para avisarle de este estado.	Vacíe el tanque de agua. Vea "Cuidado y Limpieza".
El control remoto no funciona	Las pilas están agotadas.	Reemplace las pilas.
	Las pilas están insertadas de forma incorrecta.	Asegúrese de que las pilas se inserten en la posición correcta.
El acondicionador de aire está funcionando, pero la habitación no se enfría.	La temperatura de la habitación está caliente. NOTA: En días muy calurosos y húmedos, el acondicionador de aire necesitará más tiempo para enfriar la habitación.	Dé tiempo para que la habitación se enfríe cuando enciende la unidad por primera vez. Asegúrese de que el acondicionador de aire tenga una categoría de BTU (Unidad Térmica Británica) adecuada para el tamaño de la habitación que desea enfriar.
	El control se ha fijado incorrectamente en modo Fan o Dehum.	Fije el modo Cool y la velocidad del ventilador en High.
	El flujo de aire ha disminuido.	Quite los obstáculos que bloquean el flujo de aire y redirija el flujo de aire para lograr un enfriamiento uniforme.
	La temperatura está fijada demasiado alta.	Baje la temperatura fijada.
	Los filtros de aire están sucios u obstruidos.	Limpie el filtro de aire. Vea "Cuidado y Limpieza".
	El acondicionador de aire se ha instalado incorrectamente.	Verifique que la manguera de escape y el panel de la ventana estén correctamente instalados.
	Las puertas y las ventanas están abiertas.	Cierre las puertas y las ventanas de la habitación que desea enfriar para evitar que el aire enfriado se escape.
Exhibe "E1"	El sensor de temperatura de la manguera detecta algo atípico.	Controle el sensor de temperatura de la manguera y los circuitos relacionados.
Exhibe "E2"	El sensor de temperatura de la manguera detecta algo atípico.	Controle el sensor de temperatura de la manguera y los circuitos relacionados.

Códigos de Error

Código	Significado
EP	Sensor de temperatura ambiente atípica
E1	Sensor de temperatura de la tubería atípica
FL	Error del sensor del flotador

Garantía de su acondicionador de aire—garantía limitada de un año.

GARANTÍA LIMITADA

Abroche su recibo aquí. Para acceder al servicio técnico de acuerdo con la garantía deberá contar con la prueba de la fecha original de compra.

Por el Período de:	Reemplazaremos:
Un Año Desde la fecha de la compra original	Reemplazo, reparación o reembolso del costo minorista original de cualquier producto que falle debido a un defecto en los materiales o la fabricación. Si la unidad es cambiada, la unidad de reemplazo posee garantía por el resto del período de la garantía original de un año sobre su producto. GE Appliances reemplazará, a su exclusivo criterio, el producto por otro de la misma o de una funcionalidad y calidad comparable o hará un reembolso por el precio minorista original.

A Fin de Realizar una Reclamo sobre la Garantía Durante los Primeros 90 Días desde la Fecha Original de Compra:

- **Embale la unidad correctamente. Le recomendamos usar la caja de cartón y los materiales de embalaje originales.**
- **Entregue el producto en la ubicación del vendedor minorista donde fue adquirido.**
- **Incluya en el paquete una copia del receptor de la venta u otro comprobante de la fecha de compra original. También escriba su nombre y domicilio y una descripción del defecto.**

A Fin de Realizar un Reclamo sobre la Garantía Durante el Resto de la Garantía de un Año:

- **Ubique su recibo de venta original y haga una nota de su modelo y número de serie.**
- **Llame al 800.GE.CARES (800.432.2737) (en Estados Unidos) para iniciar el proceso de reemplazo del producto.**
- **Se solicitará su nombre, domicilio, fecha de compra, y números de modelo y serie.**
- **GE Appliances hará arreglos para que se envíe una caja de cartón a su hogar para recuperar el producto.**
- **Por favor entregue todos los materiales solicitados (envío postal prepago) en la caja de cartón provista. Por favor incluya una descripción del defecto.**
- **Debería recibir el producto de reemplazo o un reembolso entre los 7 y 10 días hábiles una vez que hayamos recibido su paquete.**

Qué No Será Cubierto:

- **Instrucción al cliente. Este manual del propietario brinda información relacionada con instrucciones de funcionamiento y controles del usuario.**
- **Instalación inadecuada. Si tiene un problema de instalación o el acondicionador de aire no posee la capacidad adecuada, contacte a su vendedor minorista o instalador. Usted es responsable de brindar instalaciones de conexión eléctrica adecuadas.**
- **Falla del producto como resultado de modificaciones sobre el mismo o debido a un uso irrazonable, incluyendo la falta de mantenimiento razonable o necesario.**
- **Reemplazo de fusibles del hogar o reinicio de disyuntores.**
- **Fallas como consecuencia de corrosión en modelos sin protección contra ésta.**
- **Daños ocasionados sobre el producto por nivel de suministro de voltaje inadecuado, accidente, incendio, inundaciones o catástrofes naturales.**
- **Daños consecuentes o incidentales causados por posibles defectos del acondicionador de aire.**
- **Daño causado después de la entrega.**

EXCLUSIÓN DE GARANTÍAS IMPLÍCITAS—Su única y exclusiva alternativa es la reparación del producto, como se indica en la Garantía Limitada. Las garantías implícitas, incluyendo garantías implícitas de comerciabilidad o conveniencia sobre un propósito particular, se limitan a un año o al período más corto permitido por la ley.

Para Clientes de EE.UU: Esta garantía limitada se extiende al comprador original y a cualquier dueño subsiguiente de productos comprados para uso hogareño dentro de EE.UU. Si el producto está en un área donde no se encuentra disponible un Proveedor Autorizado del Servicio Técnico de GE Appliances, usted será responsable por el costo de un viaje o se podrá requerir que traiga el producto a una ubicación del Servicio Técnico de GE Appliances Autorizado para recibir el servicio. En Alaska, la garantía limitada excluye el costo de envío o llamadas del servicio técnico a su hogar.

Algunos estados no permiten la exclusión o limitación de daños fortuitos o consecuentes. Esta garantía limitada le da derechos legales específicos y es posible que tenga otros derechos legales que varían entre un estado y otro. Para conocer cuáles son sus derechos legales, consulte a la oficina de asuntos del consumidor local o estatal o al Fiscal de su estado.

Garante en EE.UU:
GE Appliances, a Haier company
Louisville, KY 40225

Abroche su recibo aquí. Para acceder al servicio técnico de acuerdo con la garantía deberá contar con la prueba de la fecha original de compra.

Soporte al Cliente

GE Appliances Sitio Web

¿Desea realizar una consulta o necesita ayuda con su electrodoméstico? ¡Intente a través del Sitio Web de Electrodomésticos de GE Appliances las 24 horas del día, cualquier día del año! Usted también puede comprar más grandiosos productos de GE Appliances y sacar ventaja de todos nuestros servicios a través de Internet diseñados para su conveniencia.
En EE.UU.: GEAppliances.com

Registre su Electrodoméstico

¡Registre su electrodoméstico nuevo a través de Internet, según su conveniencia! Un registro puntual de su producto permitirá una mejor comunicación y un servicio más puntual de acuerdo con los términos de su garantía, en caso de surgir la necesidad. También puede enviar una carta en la tarjeta de inscripción pre-impresa que se incluye con el material embalado.
En EE.UU.: GEAppliances.com/register

Servicio Programado

El servicio de reparación de expertos de GE Appliances está a sólo un paso de su puerta. ¡Conéctese a través de Internet y programe su servicio a su conveniencia cualquier día del año! En EE.UU.: GEAppliances.com/service o llame al 800.432.2737 durante el horario comercial habitual.

Garantías Extendidas

Adquiera una garantía extendida de GE Appliances y aprenda sobre descuentos especiales que están disponibles mientras su garantía aún está vigente. La puede adquirir en cualquier momento a través de Internet. Los Servicios de GE Appliances aún estarán allí cuando su garantía caduque. En EE.UU.: GEAppliances.com/extended-warranty o llame al 800.626.2224 durante el horario comercial habitual.

Conectividad Remota

Para solicitar asistencia con la conectividad de red inalámbrica (para modelos con activación remota), visite nuestro sitio Web en GEAppliances.com/connect o llame al 800.220.6899 en EE.UU.

Piezas y Accesorios

Individuos calificados para realizar el servicio técnico de sus propios electrodomésticos podrán solicitar el envío de piezas o accesorios directamente a sus hogares (se aceptan las tarjetas VISA, MasterCard y Discover). Ordene a través de Internet hoy durante las 24 horas del día. En EE.UU.: GEApplianceparts.com o por teléfono al 877.959.8688 durante el horario comercial habitual.

Las instrucciones que figuran en este manual cubren los procedimientos que serán realizados por cualquier usuario. Otros servicios técnicos generalmente deberían ser derivados a personal calificado del servicio. Se deberá tener cuidado, ya que una reparación indebida podrá ocasionar que el funcionamiento no sea seguro.

Contáctenos

Si no se encuentra satisfecho con el servicio que recibió de GE Appliances, comuníquese con nosotros a través de nuestro sitio Web con todos los detalles, incluyendo su número telefónico, o escriba a:

En EE.UU.: General Manager, Customer Relations | GE Appliances, Appliance Park | Louisville, KY 40225
GEAppliances.com/contact